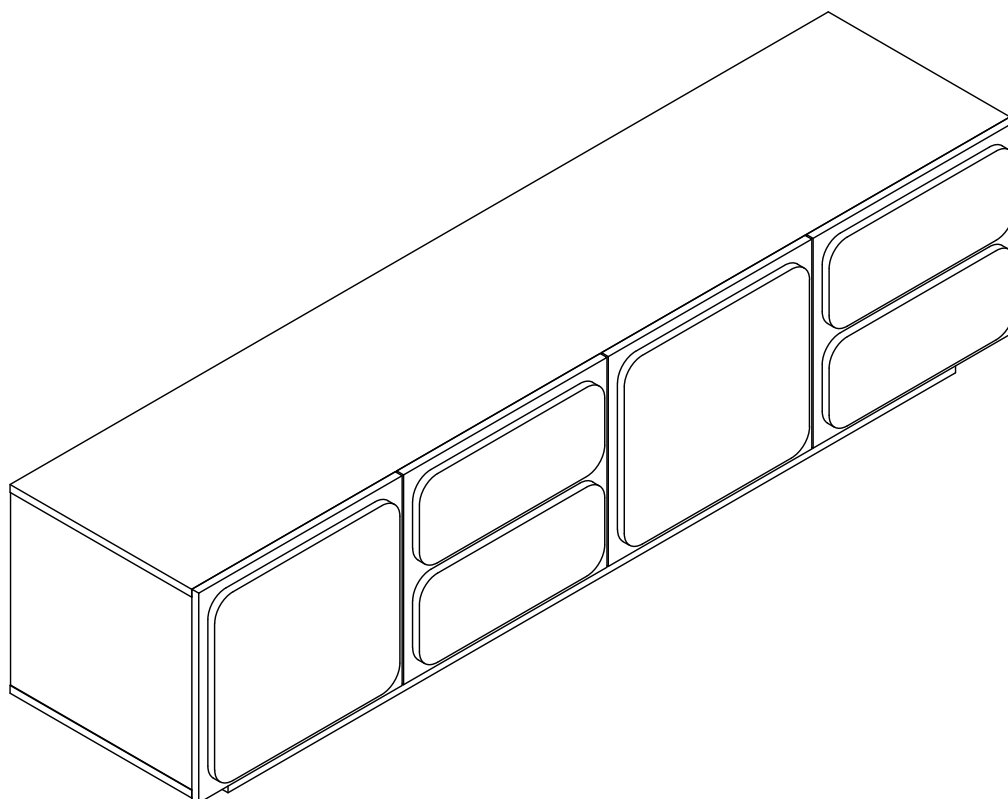


# Assembly Instructions

## Elena Series



# Lifely\*

### Product Code

ELNA-TV180-OAK Elena TV Unit

### Dimensions(W x D x H)

1800\*430\*450mm

---

### Important

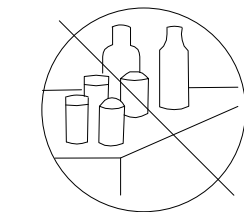
Please read through instruction carefully  
Before assembly and keep for future reference.

For our full catalogue of assembly instructions,  
Visit: [lifely.com.au/assembly](http://lifely.com.au/assembly).

## Important Tips and Maintenance



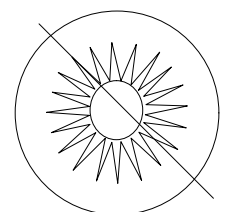
1. Keep children and animals away from working area as smaller parts may cause choking if swallowed.



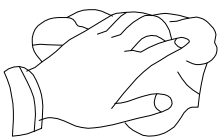
2. Never place liquids or anything damp upon furniture as it will mark. Ensure a coaster or running is beneath.



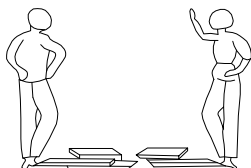
3. Never use ammonia based cleaning products as it will damage the finish.



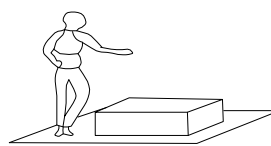
4. To avoid fading, keep furniture out of direct sunlight.



5. Use a soft cloth(dry cloth)when wiping or cleaning surfaces.



6. Two person are required.



7. Lay a soft matt down to protect the furniture piece before and during assembly.

So your relationship is strong. But is it flat-pack furniture strong? Unless you're an aerospace engineer, assembling furniture can be slightly stressful. We recommend meditating quietly, pouring yourself a herbal tea(or slightly less herbal wine) and tackling things one step at a time. If you feel a passive aggressive remark coming on, try a compliment instead.E.g. "You're so good looking"

This 14-step assembly should take around 70 minutes with an Allen Key - or 50 minutes with and electric drill. Godspeed.

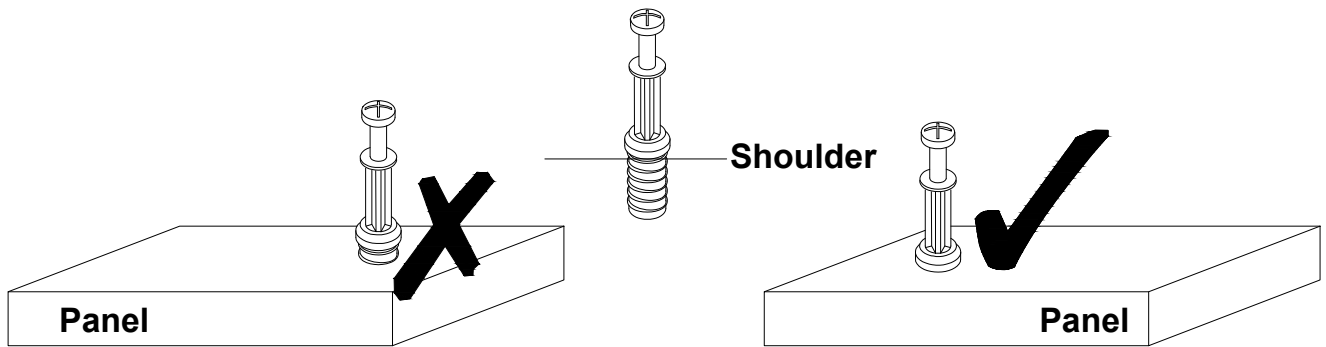
Designed for everyday

# Before Assembly

## Tips Before Your Start:

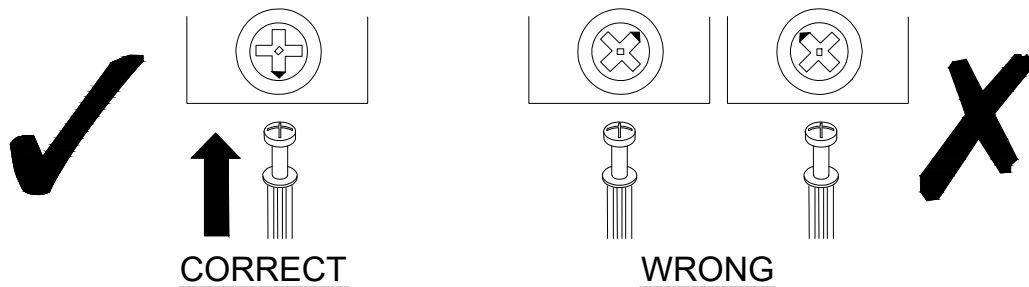
- Remove all wrapping material, including staples & packing straps before you start to assemble.
- DO NOT tighten all screws and bolts until completely assembled.
- Keep all hardware parts out of reach of children.

## QUICKFIT



Tighten quickfit until shoulder is flush with panel. Do not overtighten or undertighten.

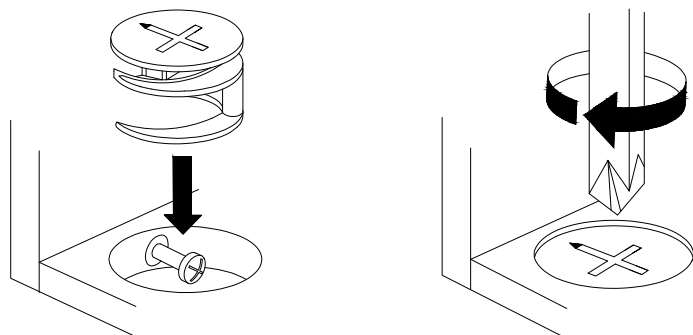
## CAM LOCK



When fitting cam lock, ensure starting position is correct before you insert connecting quickfit.

Quickfit head should be in the centre of the cam lock when the two panels are joined.

Cam lock should be inserted before quickfit.



Turn cam lock clockwise to tighten.

## Hardware is in box 1

Please check you have all the fittings part or tools are listed in below.

### No. A

Quantity:51 Pcs  
Cam Lock Dowel  
8\*28mm



### No. B

Quantity:24 Pcs  
Dowel  
8\*30mm



### No. C

Quantity:51 Pcs  
Cam  
φ15



### No. D

Quantity:16 Pcs  
Screw  
3.5\*15mm



### No. E

Quantity:8 Pcs  
Shelf Supporter  
φ18



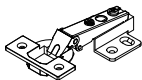
### No. F

Quantity:32 Pcs  
Screw  
4\*12mm



### No. G

Quantity:8 Pcs  
Hinge



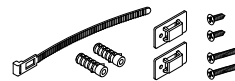
### No. H

Quantity:51 Pcs  
Sticker  
φ21



### No. I

Quantity:2 Sets  
Anti-falling Parts



### No. J

Quantity:8 Pcs  
Rubber mat  
Ø10mm



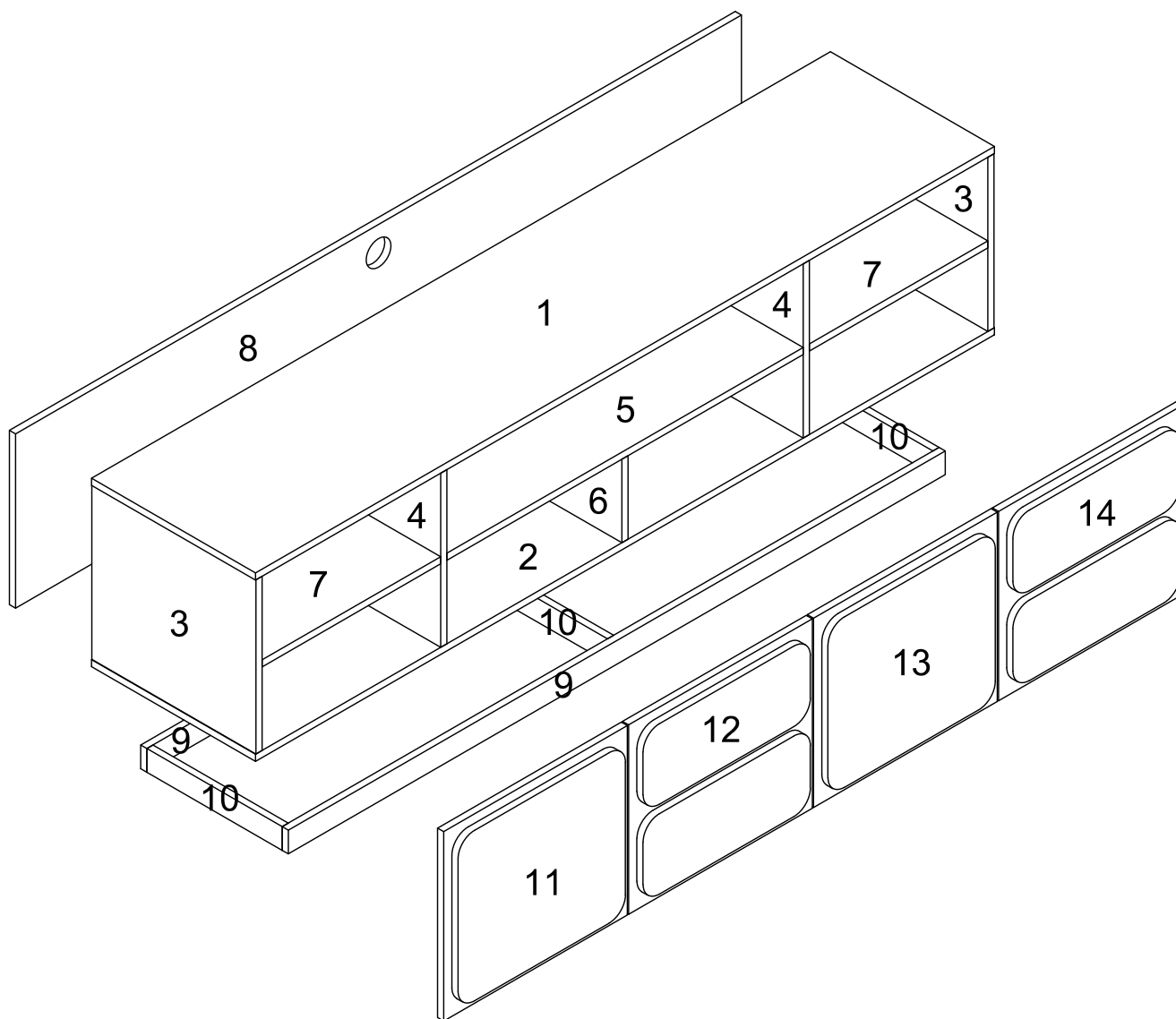
Quantity:1Pc  
Power Driver



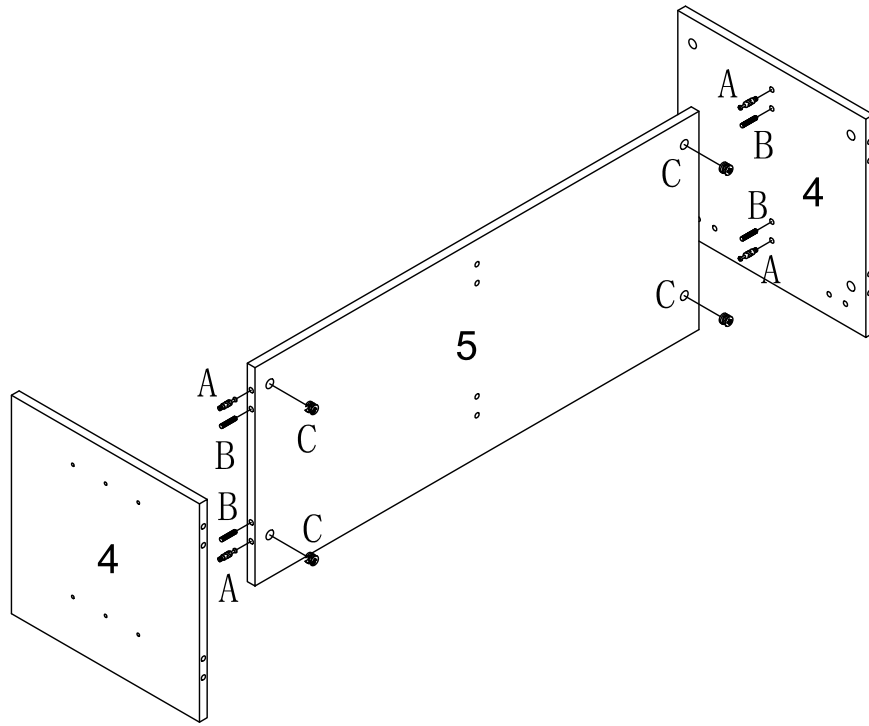
## Component Panels & part List

Please check you have all the panels are listed below.

- |                                |            |                                    |                    |
|--------------------------------|------------|------------------------------------|--------------------|
| 1. TOP PANEL .....             | x1 CTN 2/2 | 8. BACK BOARD .....                | x1 CTN 2/2         |
| 2. BOTTOM PANEL .....          | x1 CTN 2/2 | 9. BRACE LEG .....                 | x2 CTN 2/2         |
| 3. SIDE PANEL .....            | x2 CTN 2/2 | 10. SIDE BRACE LEG .....           | x3 CTN 1/2=2 2/2=1 |
| 4. SIDE DIVISION PANEL .....   | x2 CTN 1/2 | 11. DOOR PANEL_LEFT .....          | x1 CTN 1/2         |
| 5. MIDDLE SHELF .....          | x1 CTN 1/2 | 12. DOOR PANEL_ MIDDLE LEFT .....  | x1 CTN 1/2         |
| 6. MIDDLE DIVISION PANEL ..... | x1 CTN 2/2 | 13. DOOR PANEL_ MIDDLE RIGHT ..... | x1 CTN 1/2         |
| 7. SIDE SHELF .....            | x2 CTN 1/2 | 14. DOOR PANEL_RIGHT .....         | x1 CTN 1/2         |
|                                |            | POWER DRIVER .....                 | x1 CTN 1/2         |



## STEP 1



No. A  
Quantity:4 Pcs  
Cam Lock Dowel  
8\*28mm



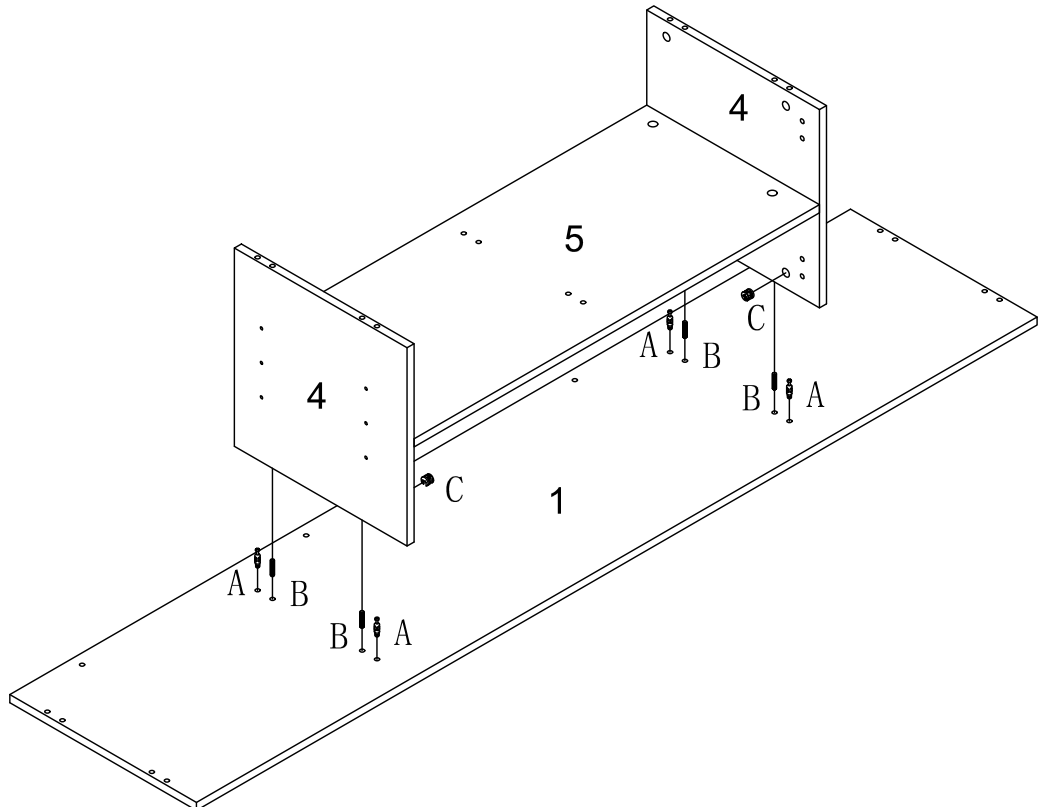
No. B  
Quantity:4 Pcs  
Dowel  
8\*30mm



No. C  
Quantity:4 Pcs  
Cam  
φ15



## STEP 2



No. A  
Quantity:4 Pcs  
Cam Lock Dowel  
8\*28mm



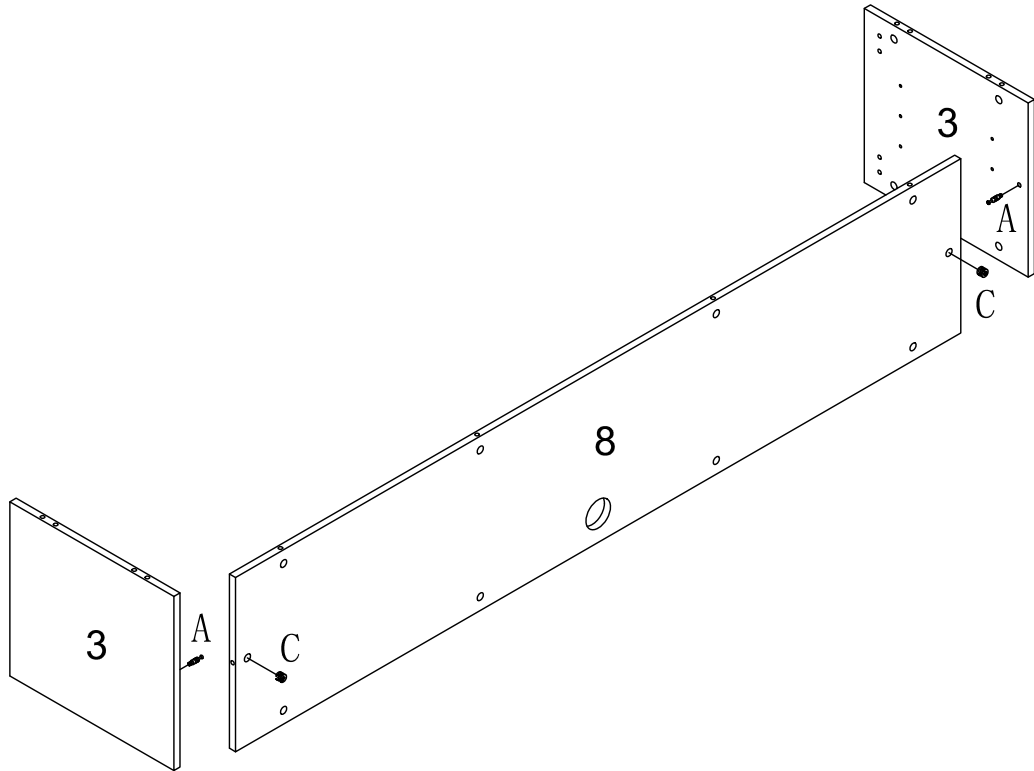
No. B  
Quantity:4 Pcs  
Dowel  
8\*30mm



No. C  
Quantity:4 Pcs  
Cam  
φ15



### STEP 3



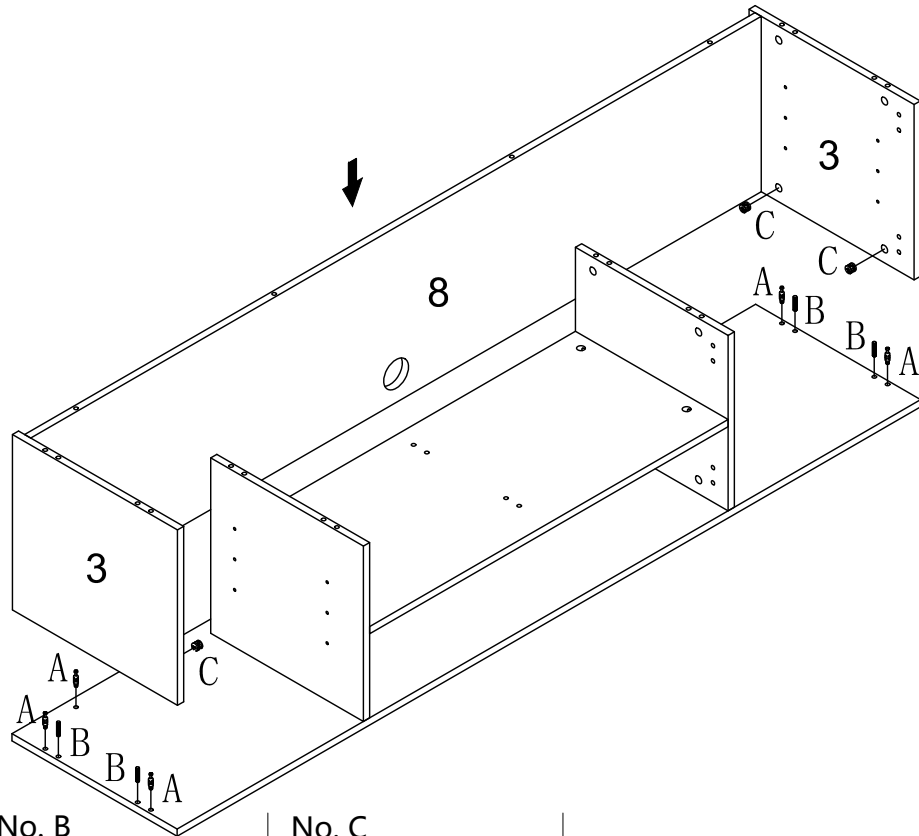
No. A  
Quantity:2 Pcs  
Cam Lock Dowel  
8\*28mm



No. C  
Quantity:2 Pcs  
Cam  
φ15



### STEP 4



No. A  
Quantity:8 Pcs  
Cam Lock Dowel  
8\*28mm



No. B  
Quantity:4 Pcs  
Dowel  
8\*30mm

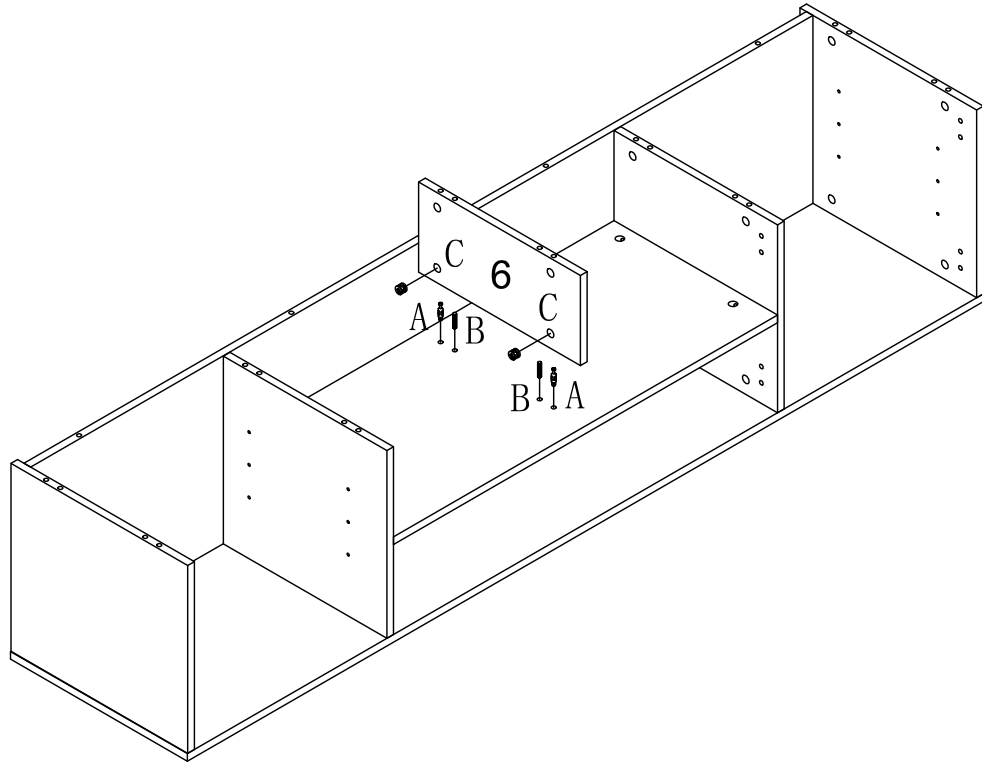


No. C  
Quantity:8 Pcs  
Cam  
φ15





# STEP 5



**No. A**  
Quantity: 2 Pcs  
Cam Lock Dowel  
8\*28mm



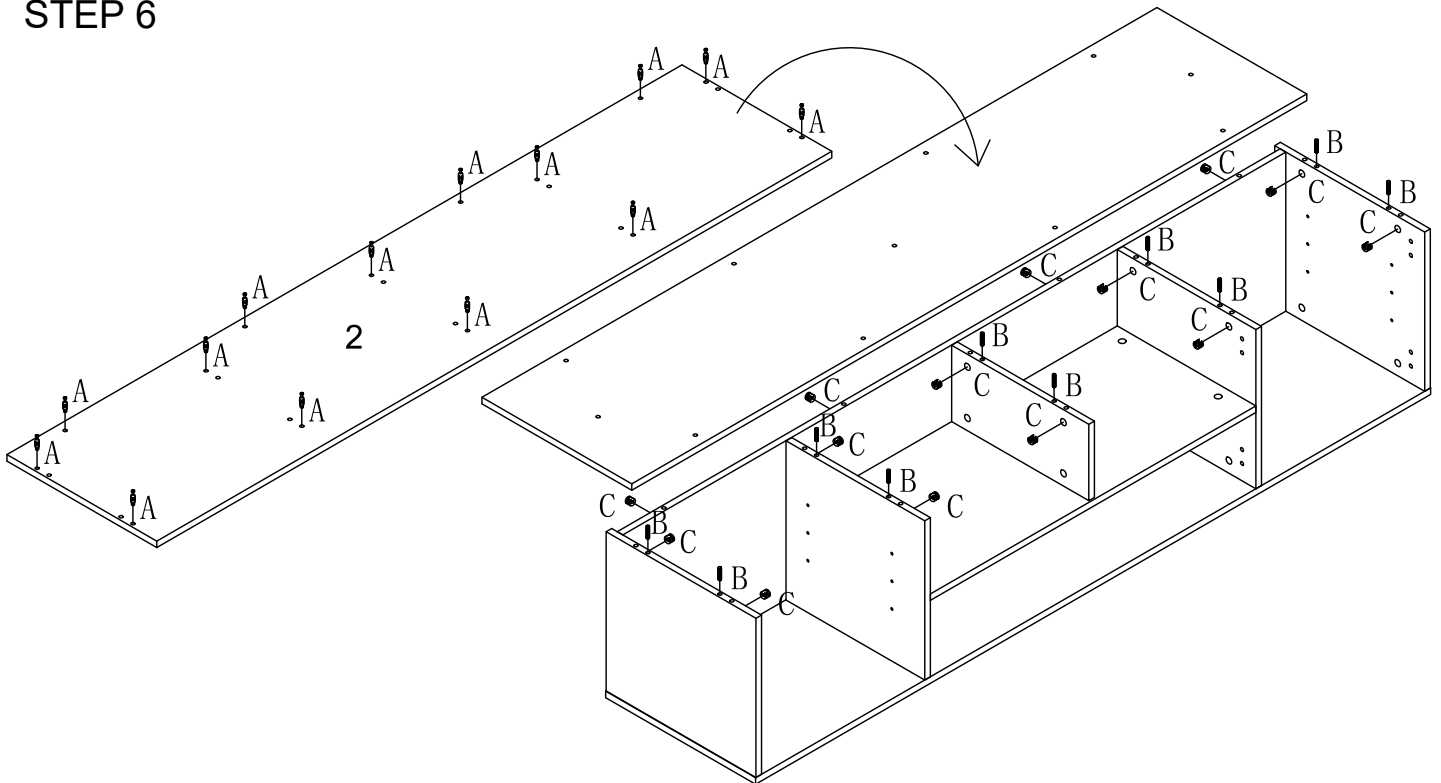
**No. B**  
Quantity: 2 Pcs  
Dowel  
8\*30mm



**No. C**  
Quantity: 2 Pcs  
Cam  
φ15



# STEP 6



**No. A**  
Quantity: 14 Pcs  
Cam Lock Dowel  
8\*28mm



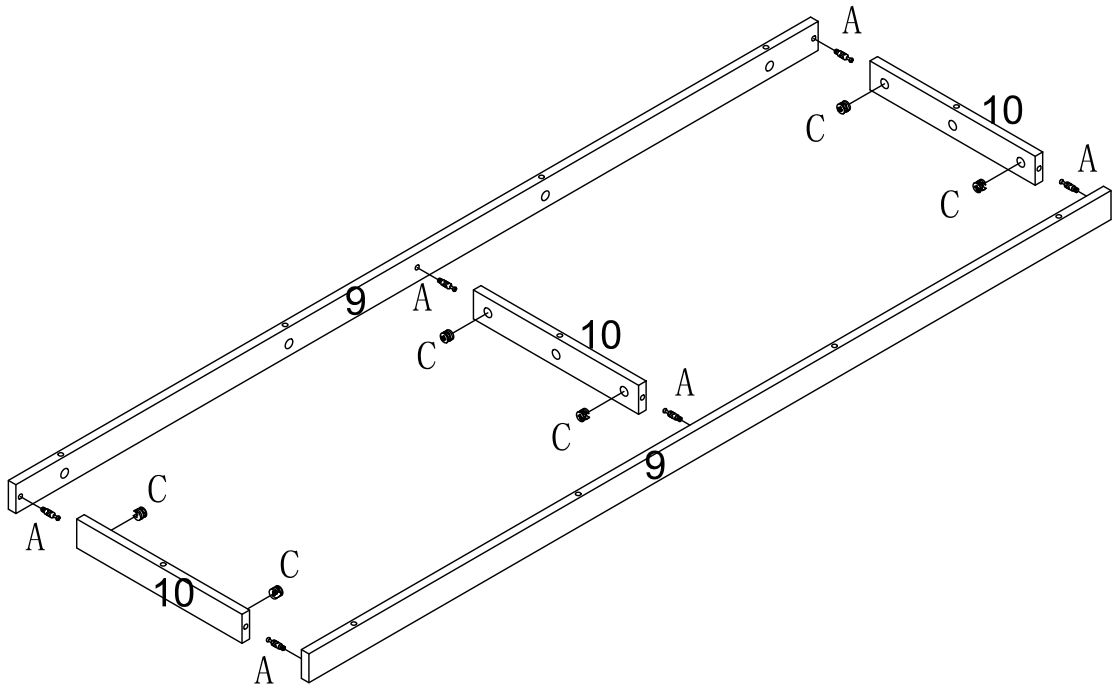
**No. B**  
Quantity: 10 Pcs  
Dowel  
8\*30mm



**No. C**  
Quantity: 14 Pcs  
Cam  
φ15



# STEP 7



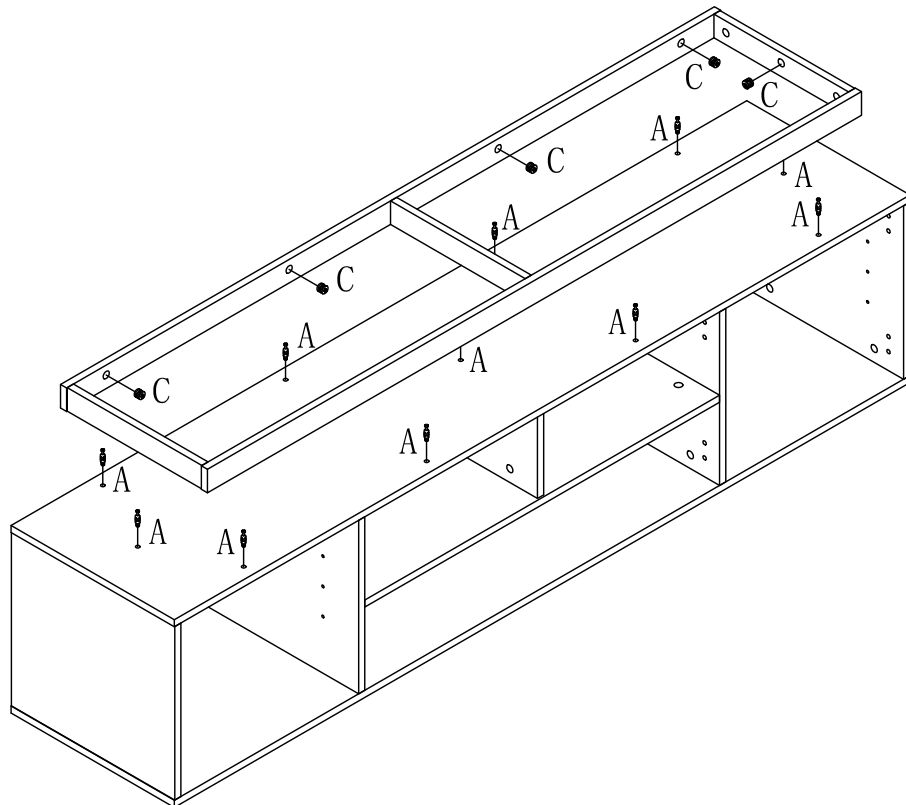
No. A  
Quantity:6 Pcs  
Cam Lock Dowel  
8\*28mm



No. C  
Quantity:6 Pcs  
Cam  
φ15



# STEP 8



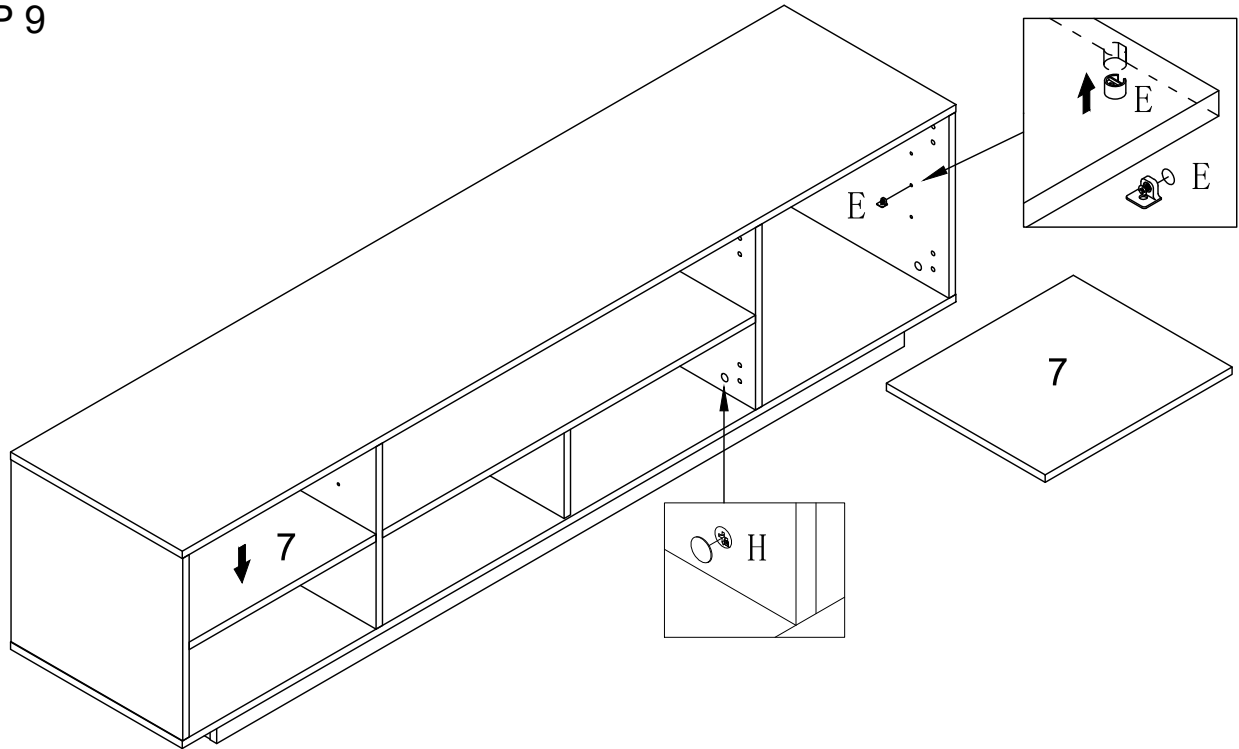
No. A  
Quantity:11 Pcs  
Cam Lock Dowel  
8\*28mm



No. C  
Quantity:11 Pcs  
Cam  
φ15



## STEP 9



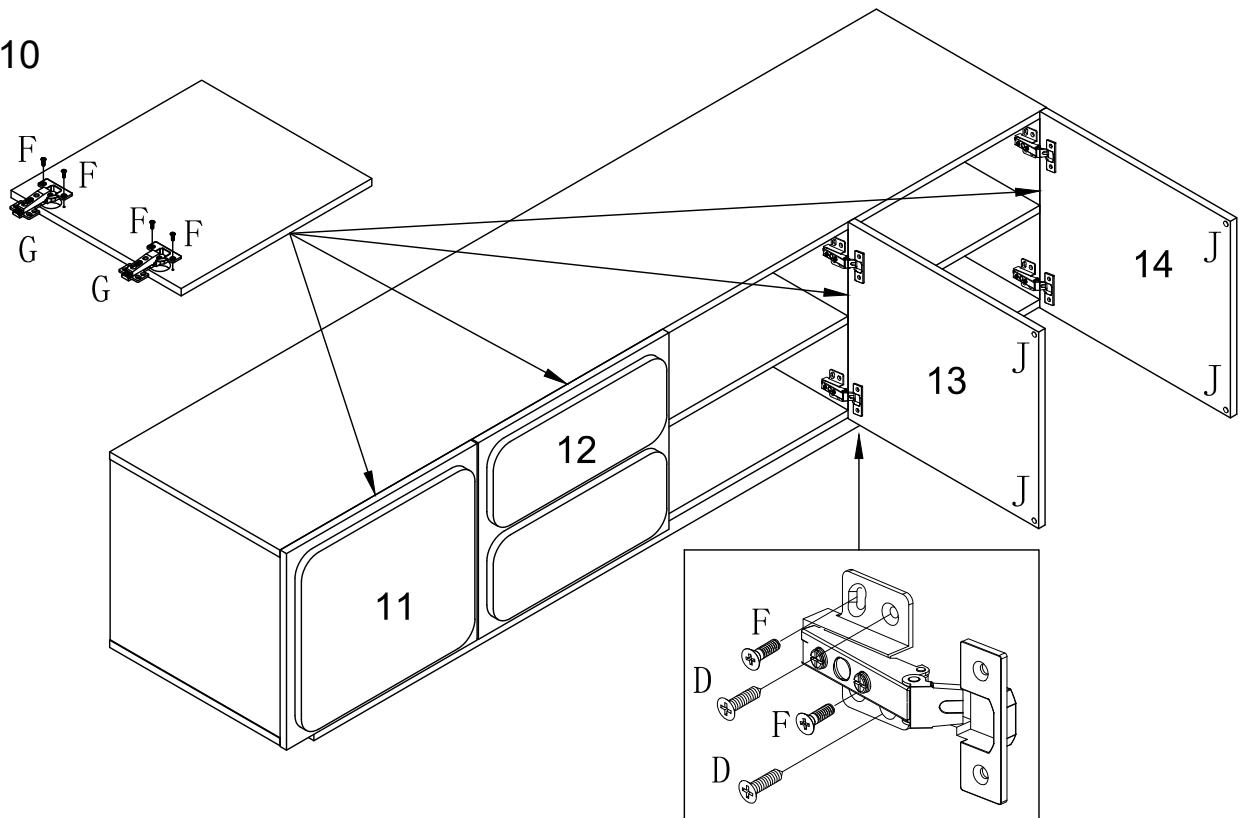
**No. E**  
Quantity: 8 Pcs  
Shelf Supporter  
φ18



**No. H**  
Quantity: 51 Pcs  
Sticker  
φ21



## STEP 10



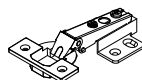
**No. D**  
Quantity: 16 Pcs  
Screw  
3.5\*15mm



**No. F**  
Quantity: 32 Pcs  
Screw  
4\*12mm



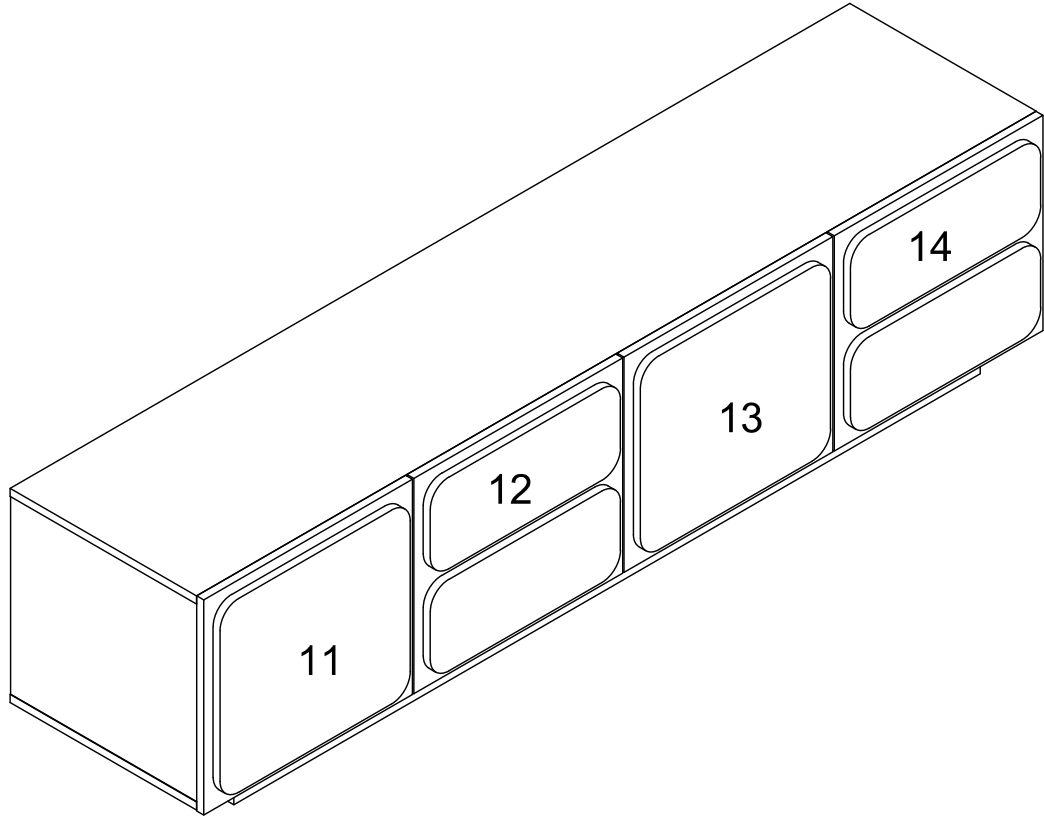
**No. G**  
Quantity: 8 Pcs  
Hinge



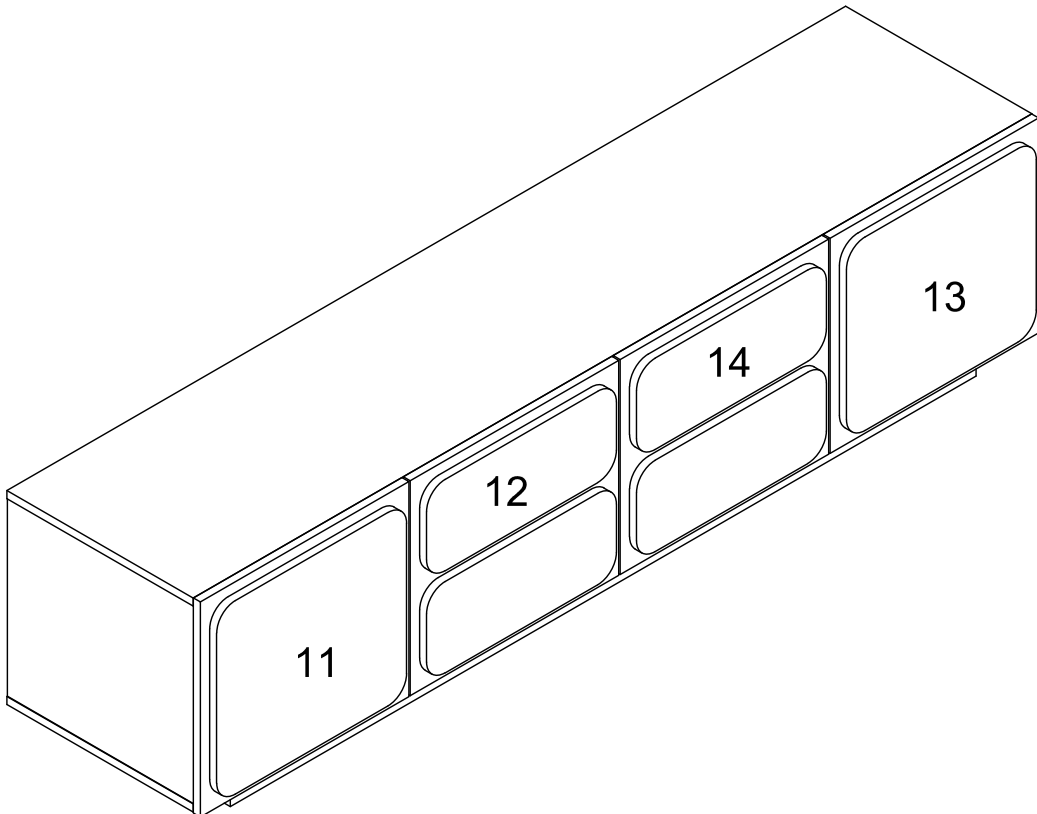
**No. J**  
Quantity: 8 Pcs  
Rubber mat  
Ø10mm



STEP 11



STEP 12





**⚠ WARNING**



**Children have died from furniture tipover.**

- NEVER allow children to stand, climb or hang on drawers, doors, or shelves.
- ALWAYS secure your television with an anchor device.

**This is a permanent label! Do not remove!**

Great job. You're done!

Don't forget to share how it looks in your space and tag us on Instagram.  
@lifelyhome#homewithlifely!