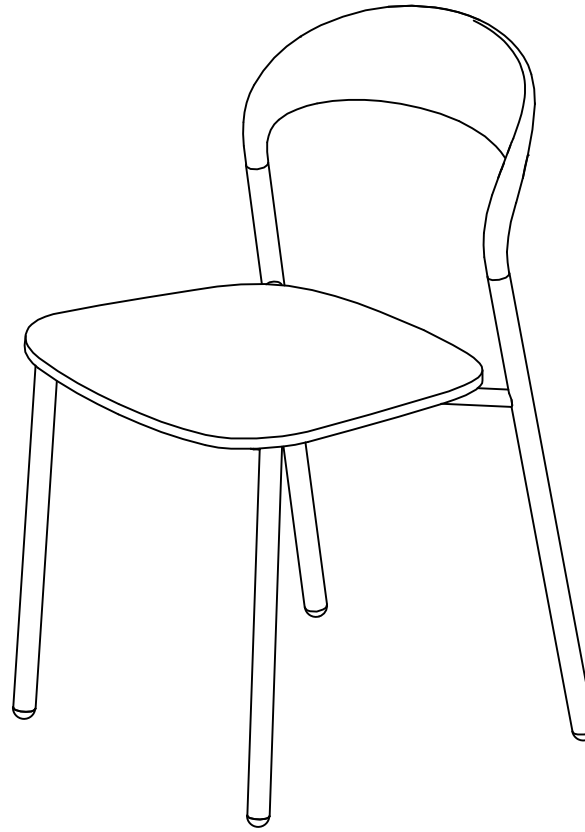
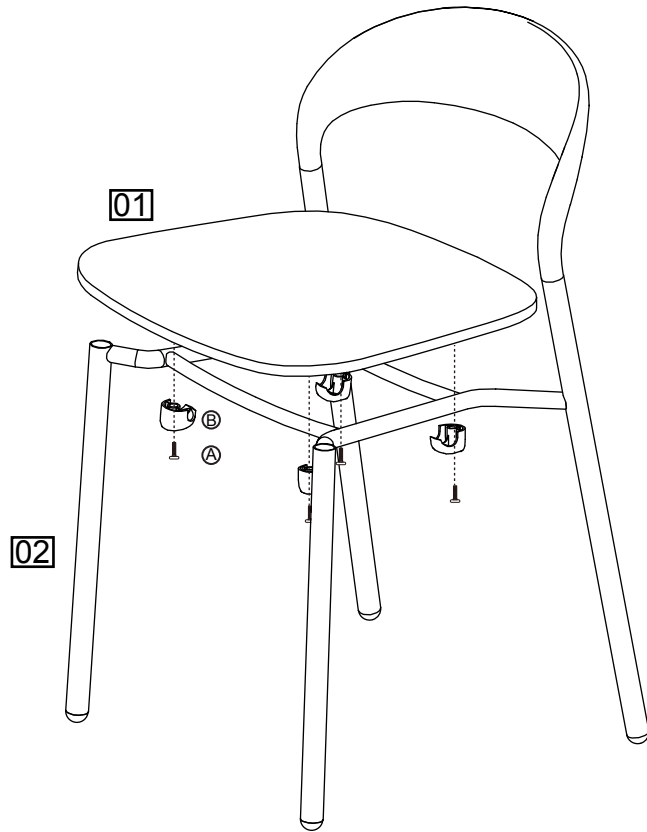


## COMPONENT PARTS

## FITTINGS

Step1

Step2



Ⓐ		×4
	(M6×30mm)	
Ⓑ		×4

## COMPONENT CHECKLIST

PART	No. Qty.	
Seat	01	1 <input type="checkbox"/>
Leg	02	1 <input type="checkbox"/>

## TOOLS REQUIRED



Allen key (supplied)