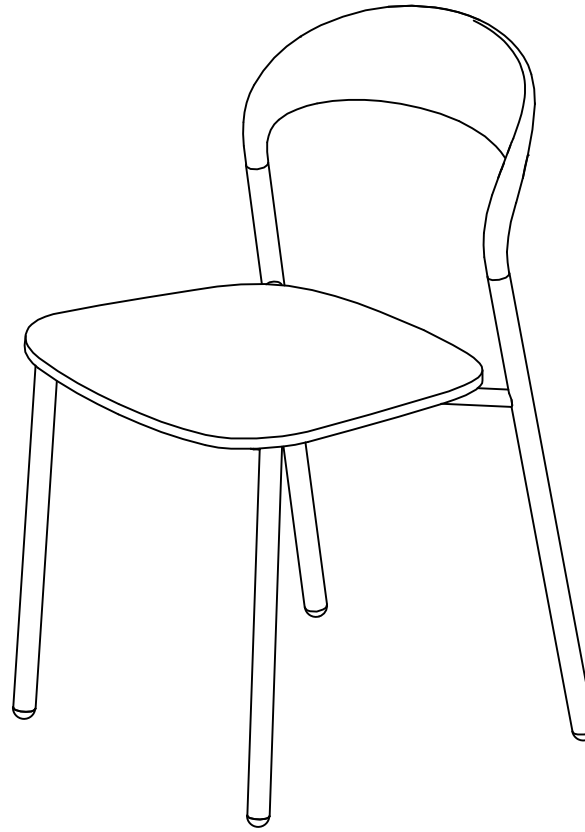
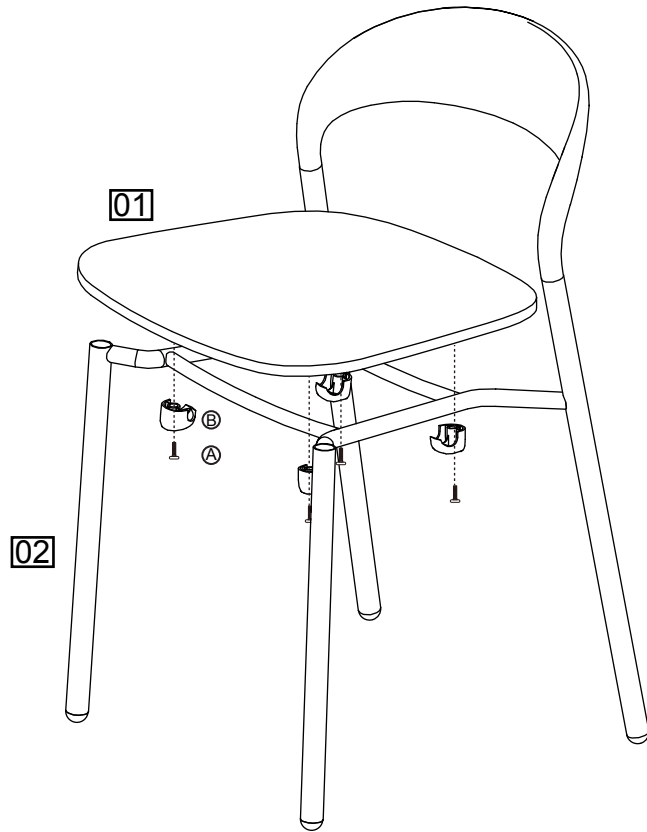


COMPONENT PARTS

FITTINGS

Step1

Step2



Ⓐ		×4
	(M6×30mm)	
Ⓑ		×4

COMPONENT CHECKLIST

PART	No.	Qty.	
Seat	01	1	<input type="checkbox"/>
Leg	02	1	<input type="checkbox"/>

TOOLS REQUIRED



Allen key (supplied)