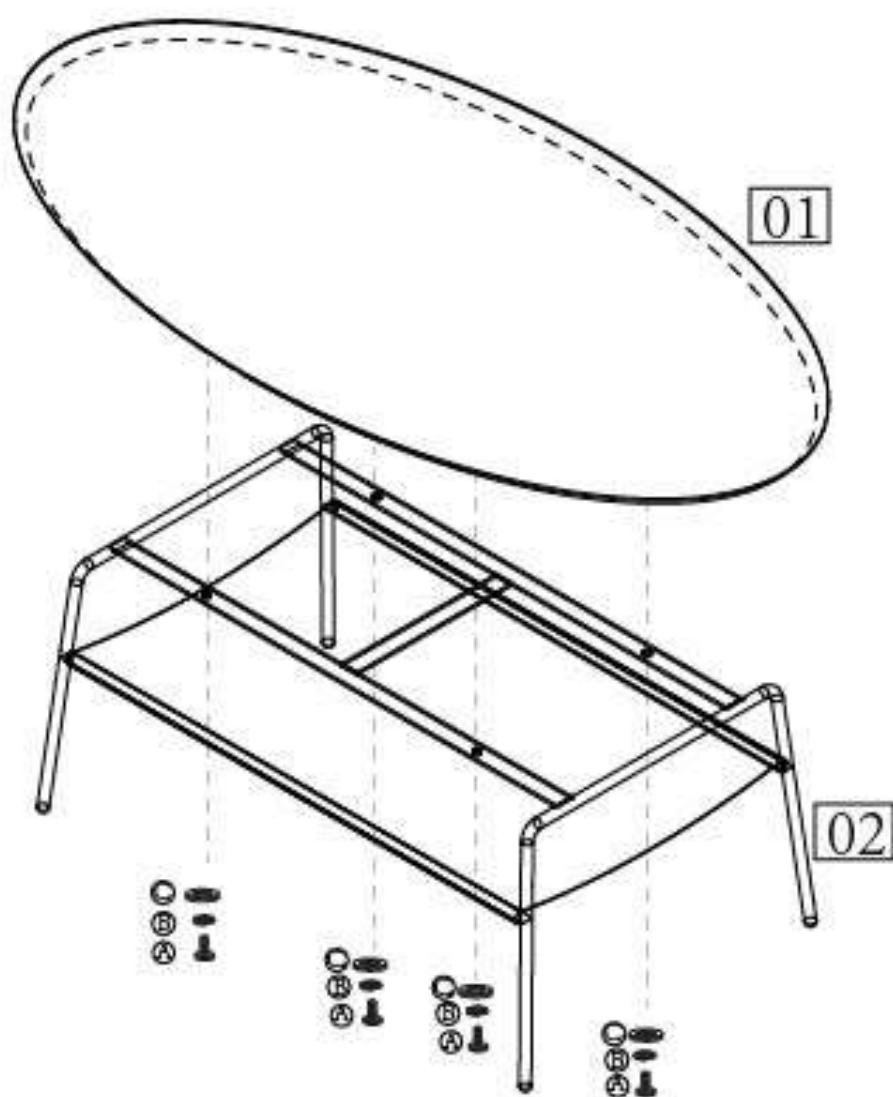





TT-S033(L) Assembly Instruction

COMPONENT PARTS

FITTINGS



Ⓐ		× 4
Ⓑ		× 4
Ⓒ		× 4

COMPONENT CHECKLIST

PART	No.	Qty.	
Tabletop	01	1	<input type="checkbox"/>
Leg	02	1	<input type="checkbox"/>

TOOLS REQUIRED



Allen key (supplied)