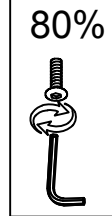
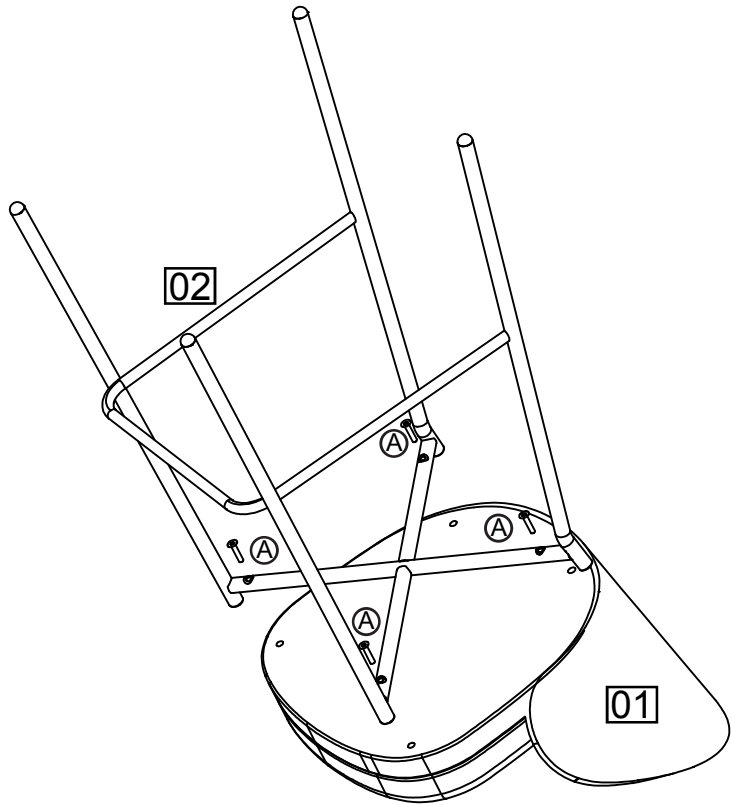


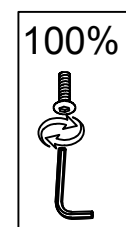
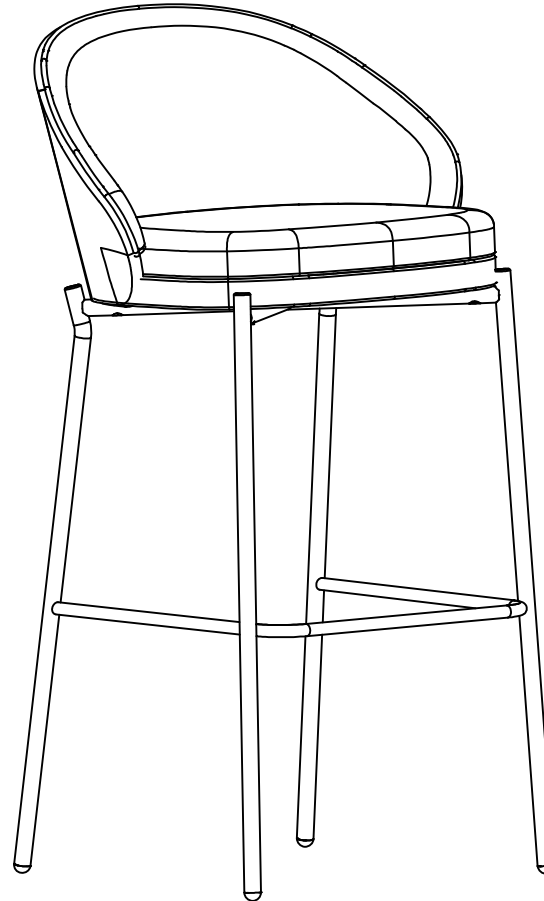
COMPONENT PARTS


FITTINGS

Step1



Step2




Ⓐ  ×4
(M6×30mm)

COMPONENT CHECKLIST

PART	No.	Qty.	
Seat	01	1	<input type="checkbox"/>
Frame	02	1	<input type="checkbox"/>

TOOLS REQUIRED


Allen key (supplied)