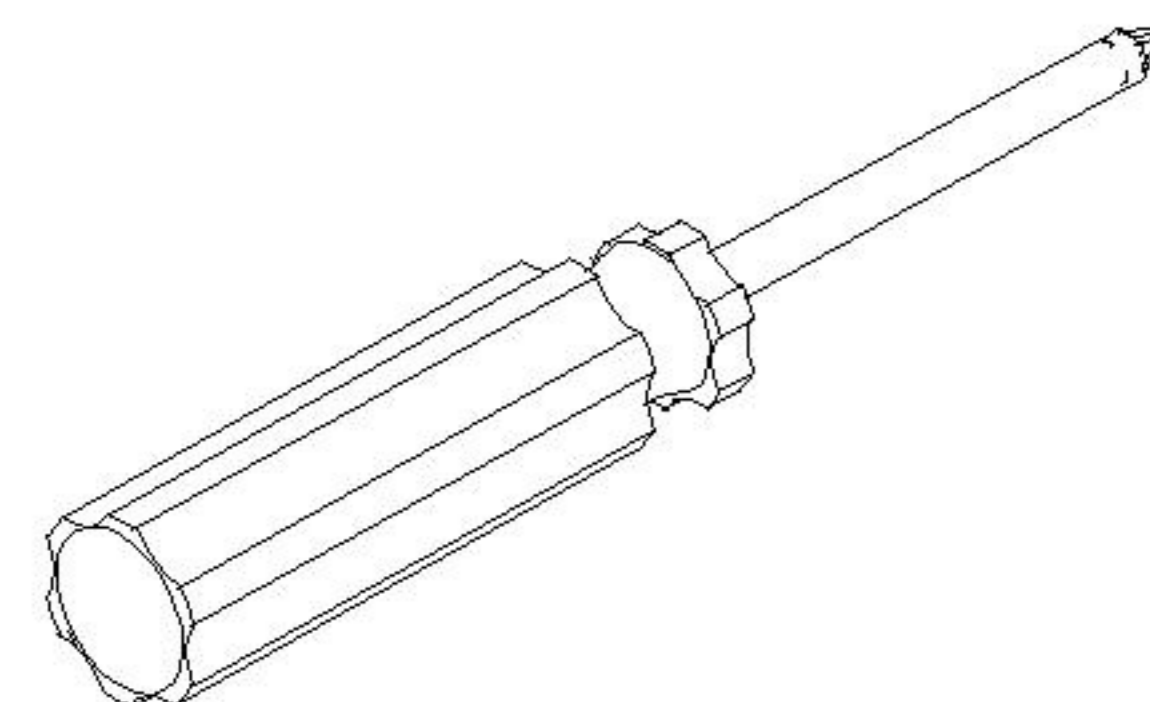
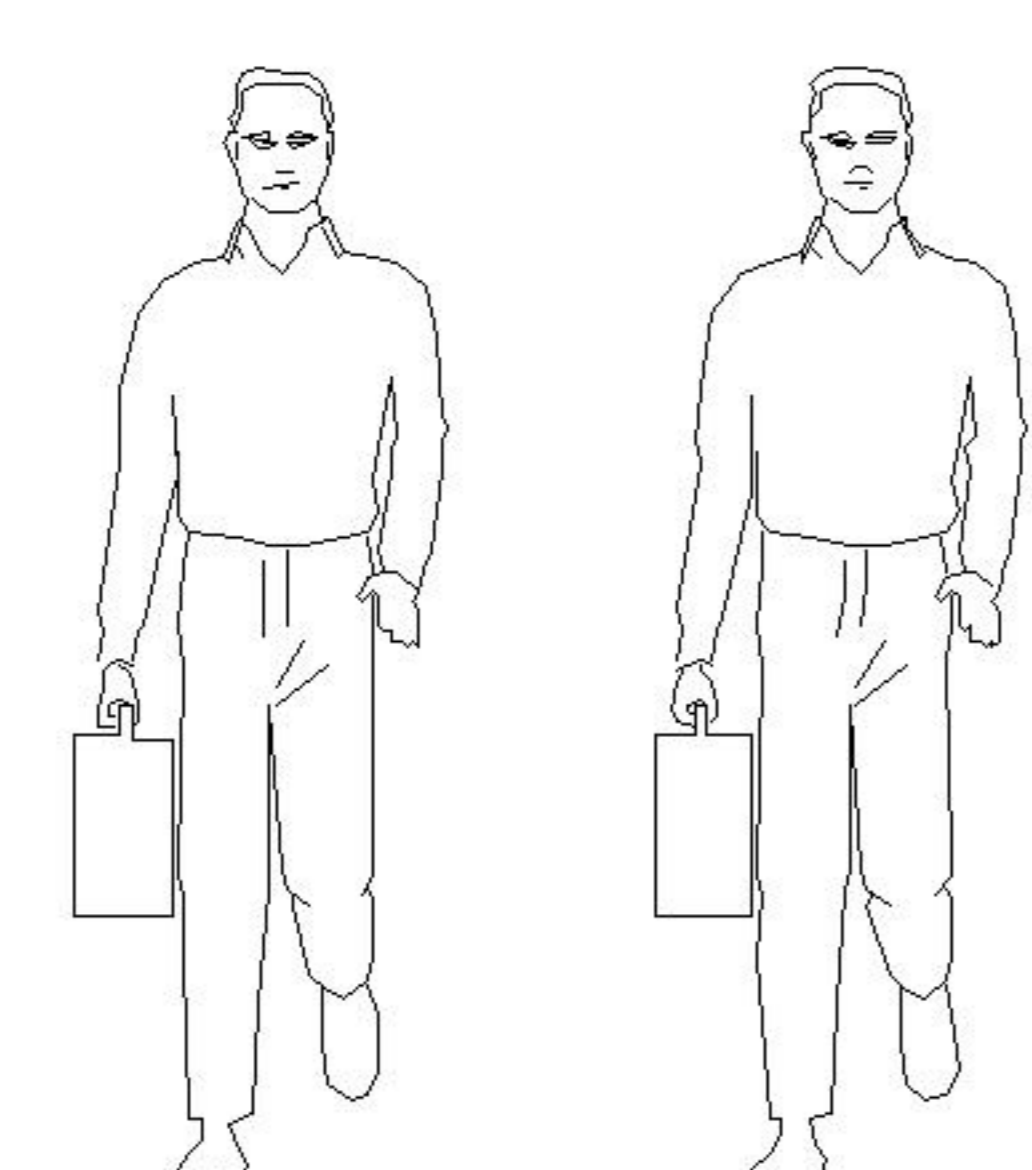


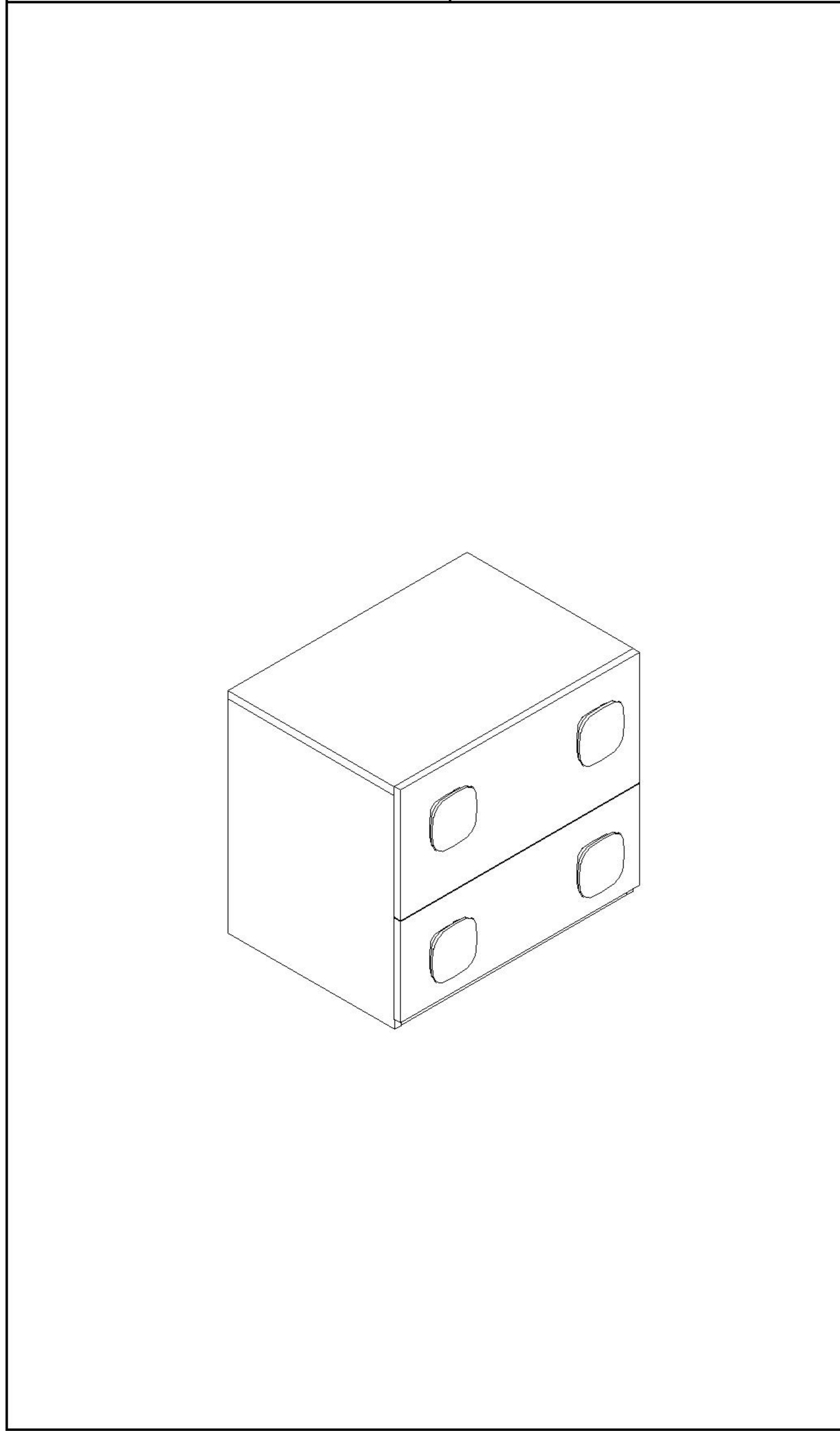
LINSY 林氏家居

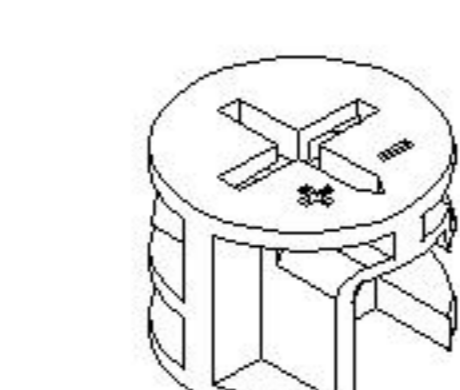
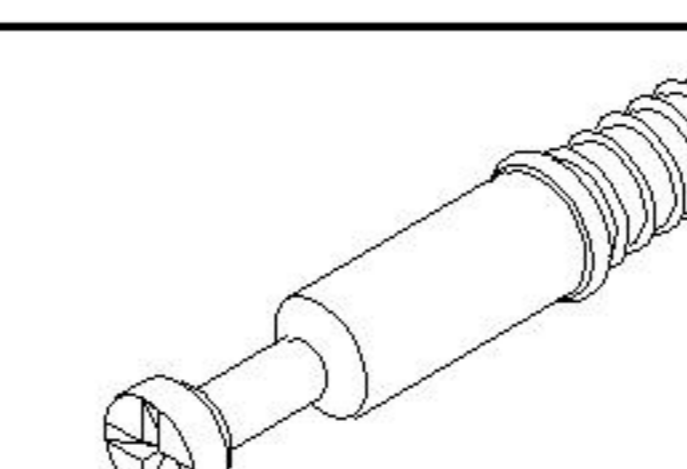
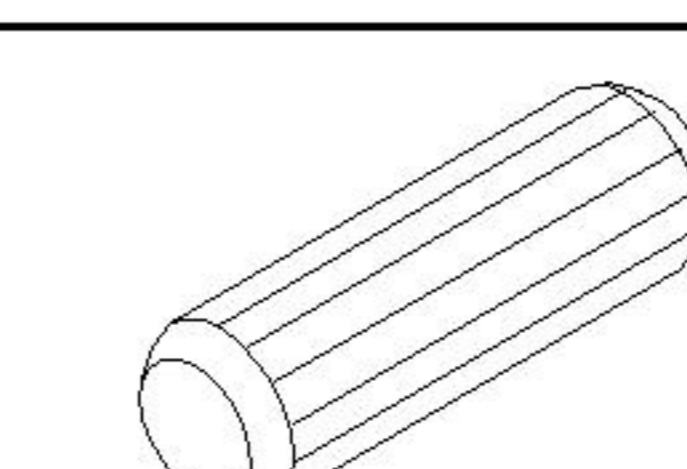
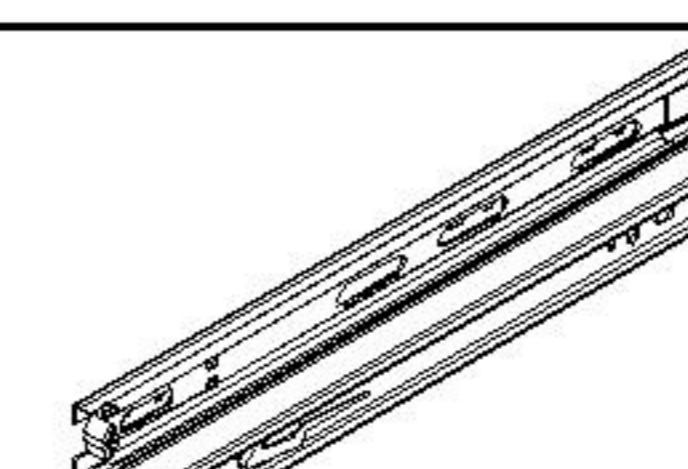
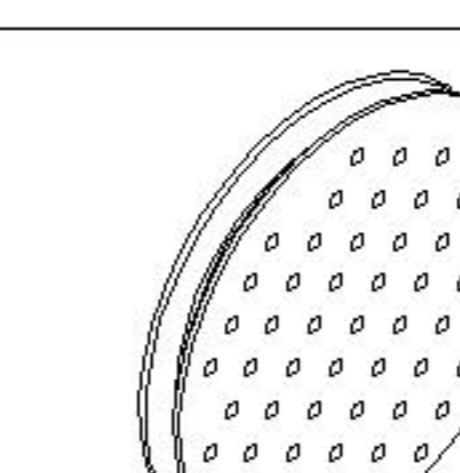
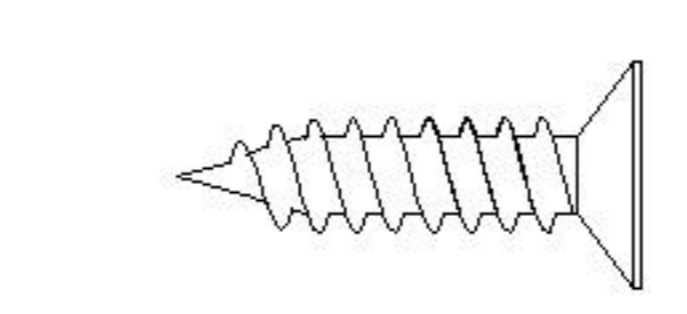
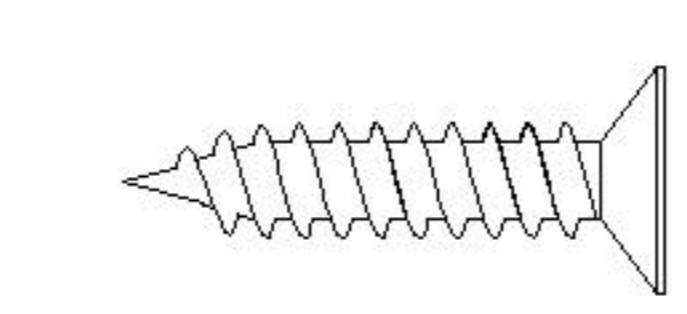
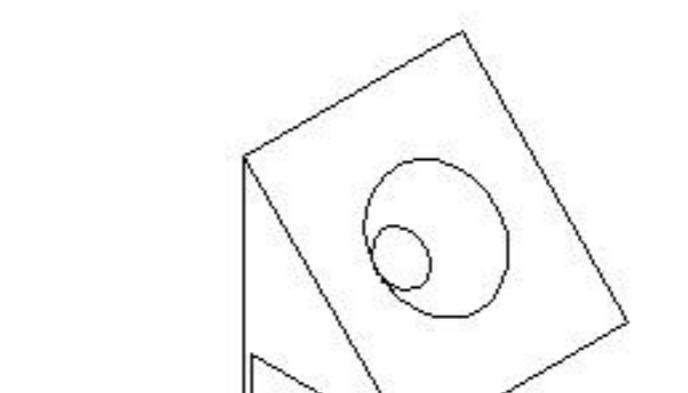
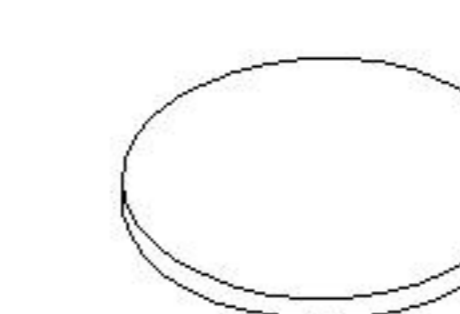
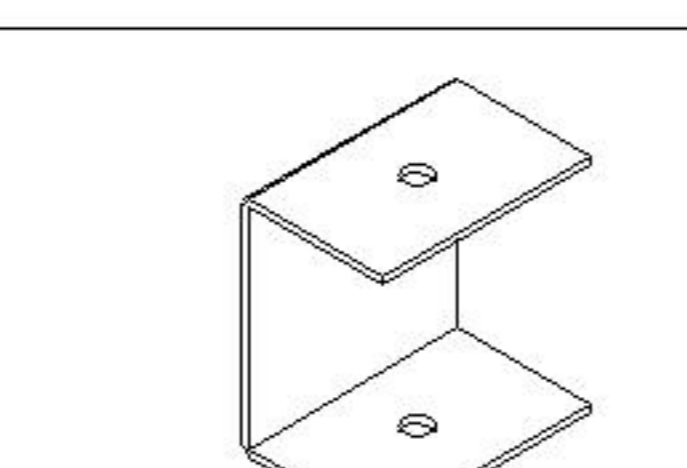
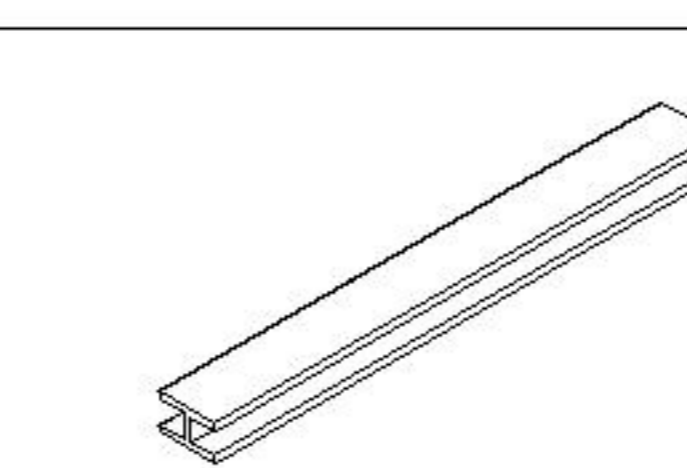
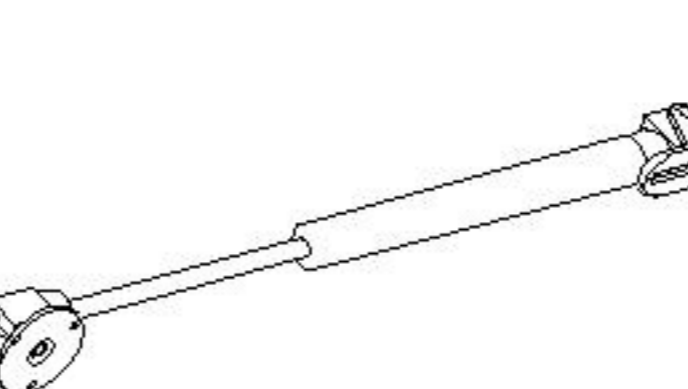
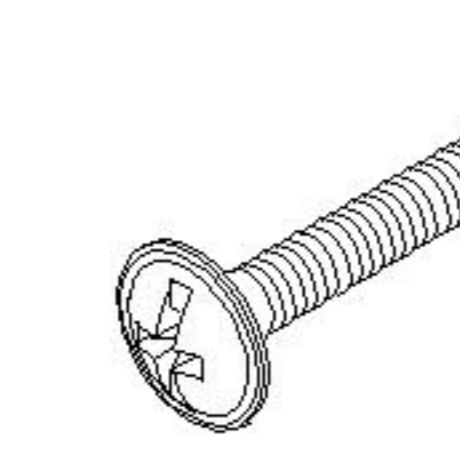
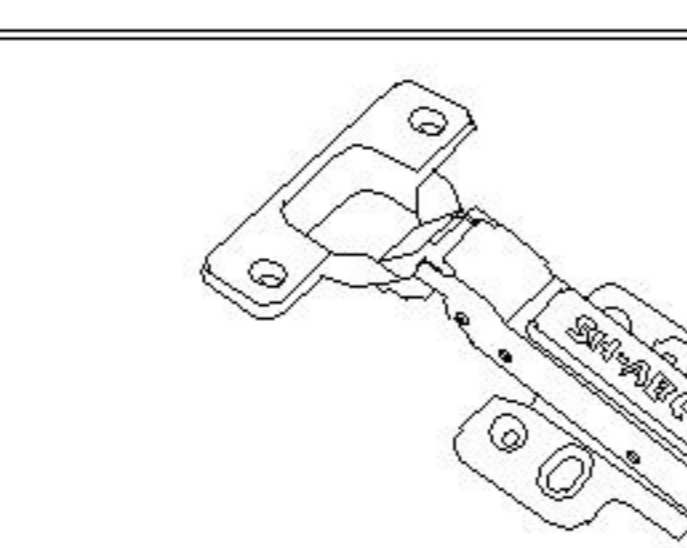
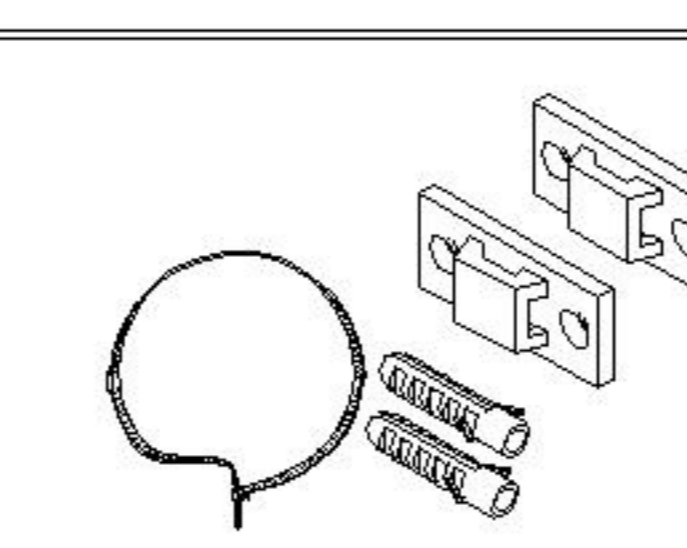
五金表/Hardware list

部件表/Parts List

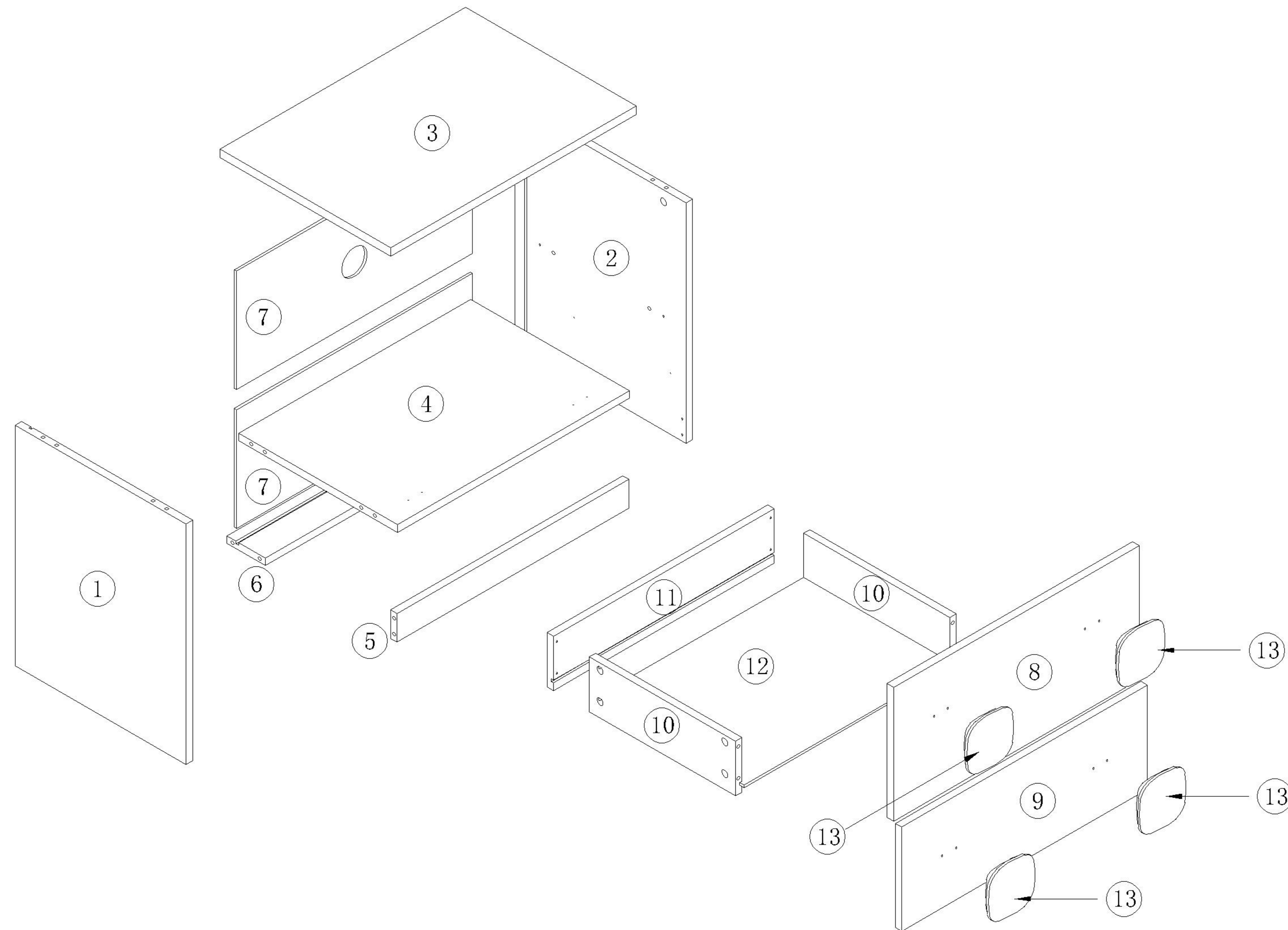
安装示意图/Assembly Instruction

| | |
|---|---|
| 产品名称 Model NO. | UN6E-D |
| 产品规格 Specification | 572*433*503mm |
| 安装工具 Tool | 安装人数 Installer |
|  |  |



| | | | |
|--|--|--|--|
|  (A)* 25 大三合一锁饼 Three-in-one large lock |  (B)* 25 二合一螺杆 2-in-1-screw |  (C)* 8 木榫08x30mm wood tenon |  (D)* 1 三节滚珠导轨-12" three-section ball rail |
|  (E)* 2 透气孔盖-白色 Vent cover - white |  (F)* 25 自攻螺丝M3.5x12mm Self-tapping screw |  (G)* 6 自攻螺丝M3.5x16mm Self-tapping screw |  (H)* 6 背板扣 Back Plate Buckle-White |
|  (I)* 6 脚垫-灰色 Footrest - Grey |  (J)* 1 U型卡扣 U-shaped buckle |  (K)* 1 夹板条-L=539 splint strip |  (L)* 2 气动杆 Pneumatic rod |
|  (M)* 8 拉手螺丝-M1x25mm Pulling screw |  (N)* 2 中弯缓冲门铰-杯径035 Middle bending hinge |  (O)* 1 家具防倒器-白色 Anti-fall device | |

| 编号NO. | 名称Name | 规格 (mm) Specification | 数量QTY | 材质Material |
|-------|-------------------------------|--------------------------|-------|-----------------------|
| ① | 左外侧板 Left lateral plate | 485*398*15 | 1 | 刨花板 Particle board |
| ② | 右外侧板 Right lateral plate | 485*398*15 | 1 | 刨花板 Particle board |
| ③ | 顶板Top board | 572*398*15 | 1 | 刨花板 Particle board |
| ④ | 层板Shelf | 540*370*15 | 1 | 刨花板 Particle board |
| ⑤ | 前立水Front apron | 540*58*15 | 1 | 刨花板 Particle board |
| ⑥ | 后立水Back dress | 540*90*15 | 1 | 刨花板 Particle board |
| ⑦ | 背板Back board | 550*239*5 | 2 | 纤维板 Fiberboard |
| ⑧ | 门板Door board | 572*270*15 | 1 | 刨花板 Particle board |
| ⑨ | 抽屉面板 Drawer's top panel | 572*210*15 | 1 | 刨花板 Particle board |
| ⑩ | 抽屉侧板 Drawer's sideboard | 340*110*15 | 2 | 刨花板 Particle board |
| ⑪ | 抽屉后板 Drawer's Back board | 514*110*15 | 1 | 刨花板 Particle board |
| ⑫ | 抽屉底板 Drawer's Bottom board | 494*350*5 | 1 | 纤维板 Fiberboard |
| ⑬ | 拉手Handle | 110*110*20 | 4 | 黄杨木Boxwood |



编号NO.

名称Name

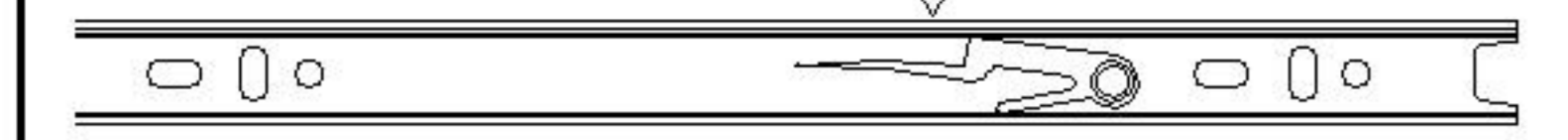
| | |
|---|-------------------------------|
| ① | 左外侧板 Left lateral plate |
| ② | 右外侧板 Right lateral plate |
| ③ | 顶板Top board |
| ④ | 层板Shelf |
| ⑤ | 前立水Front apron |
| ⑥ | 后立水Back dress |
| ⑦ | 背板Back board |
| ⑧ | 门板Door board |
| ⑨ | 抽屉面板 Drawer's top panel |
| ⑩ | 抽屉侧板 Drawer's sideboard |
| ⑪ | 抽屉后板 Drawer's Back board |
| ⑫ | 抽屉底板 Drawer's Bottom board |
| ⑬ | 拉手Handle |

UN6E-D

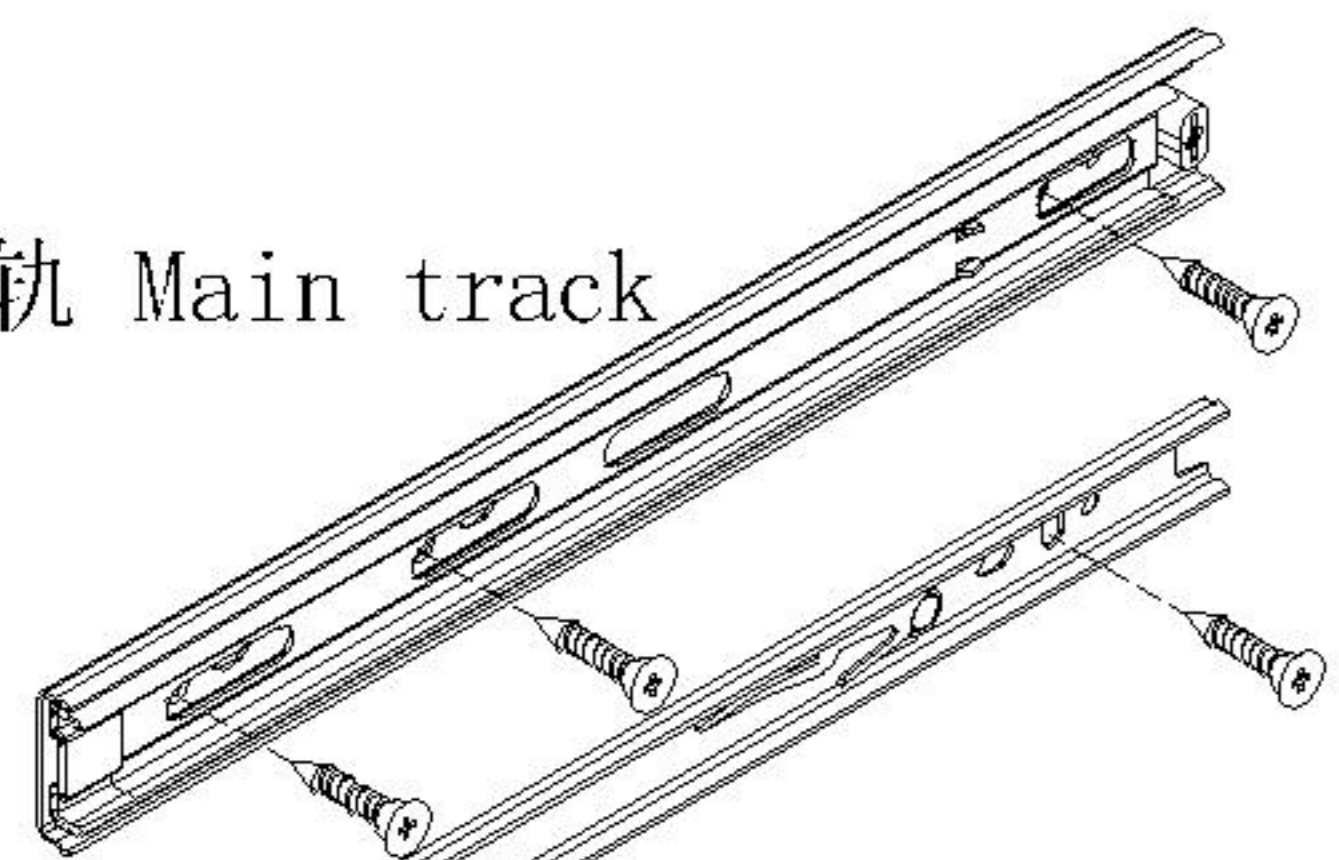
安装方法/ Installation method

阀门开关(下压为开)
Valve switch (press down to open)

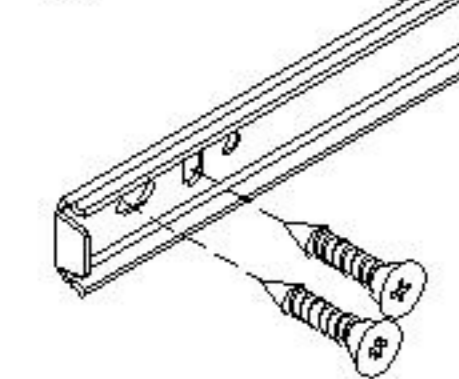
前 Forward 后 Back



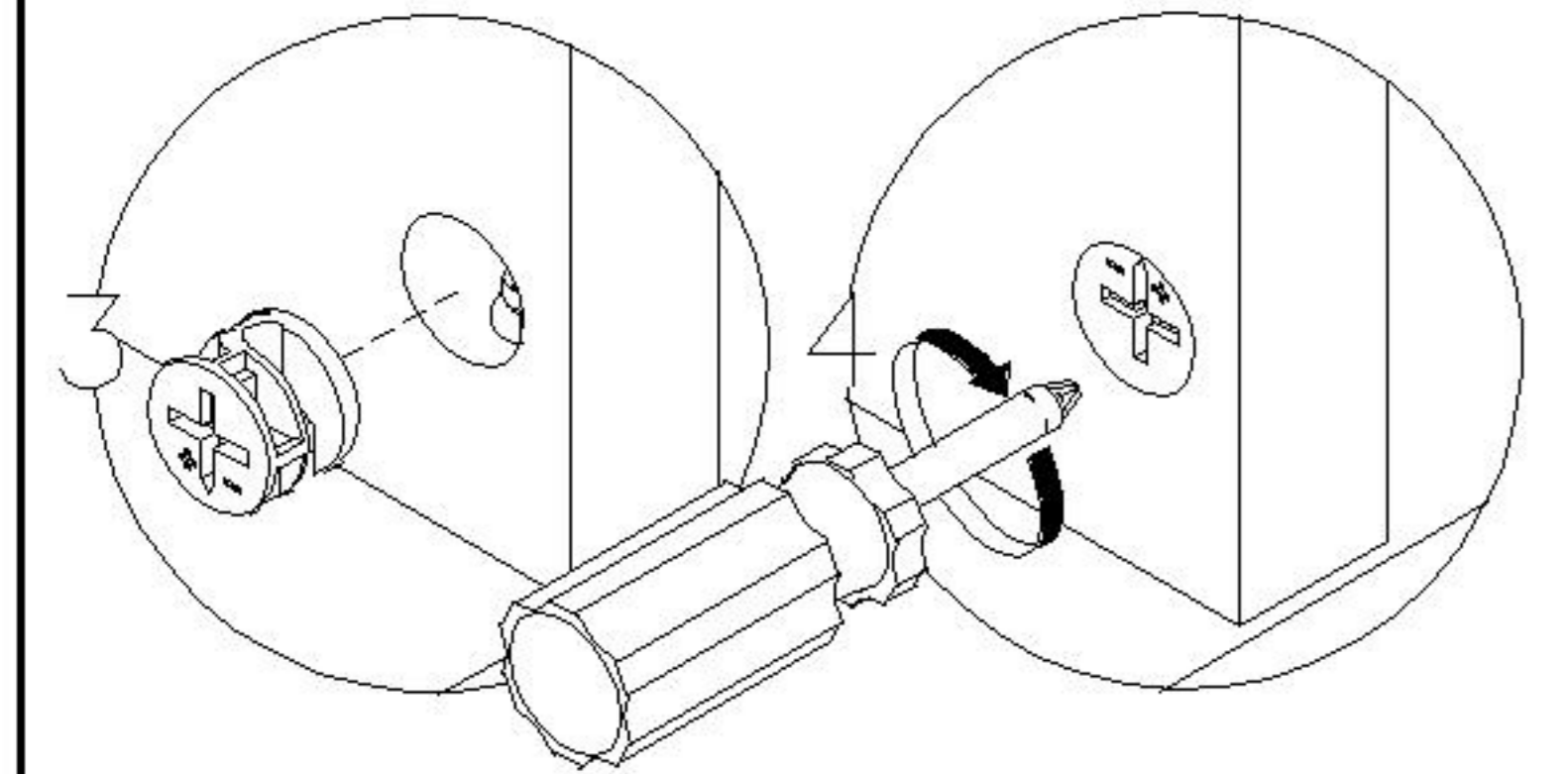
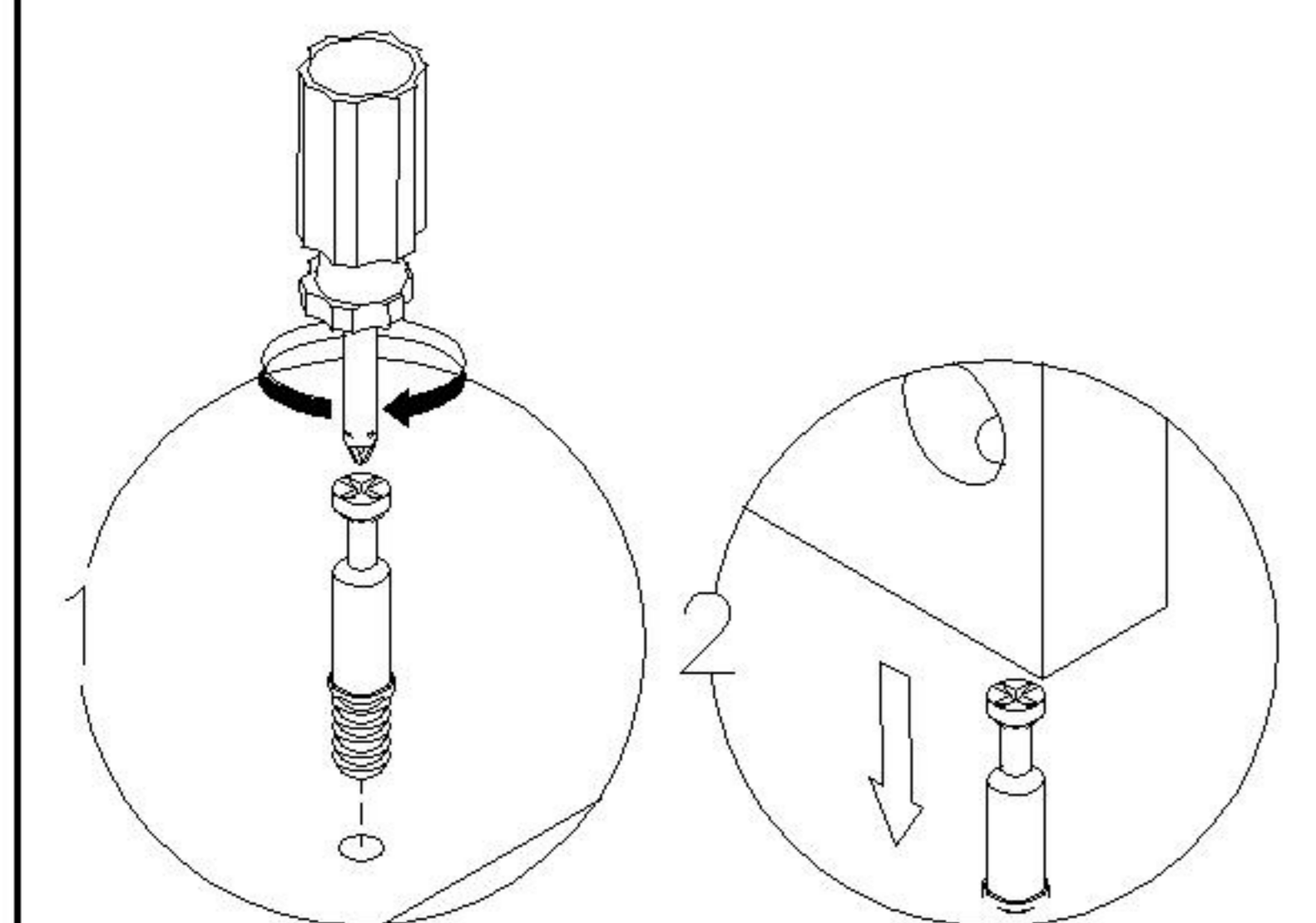
主轨 Main track



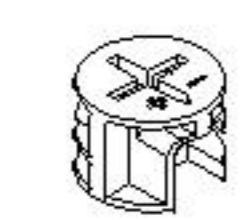
副轨 Sub track



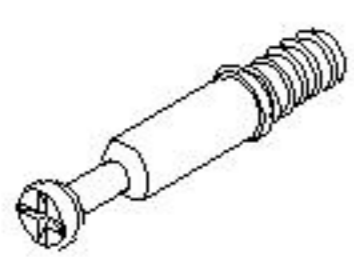
三节滚珠导轨
Three-section rail



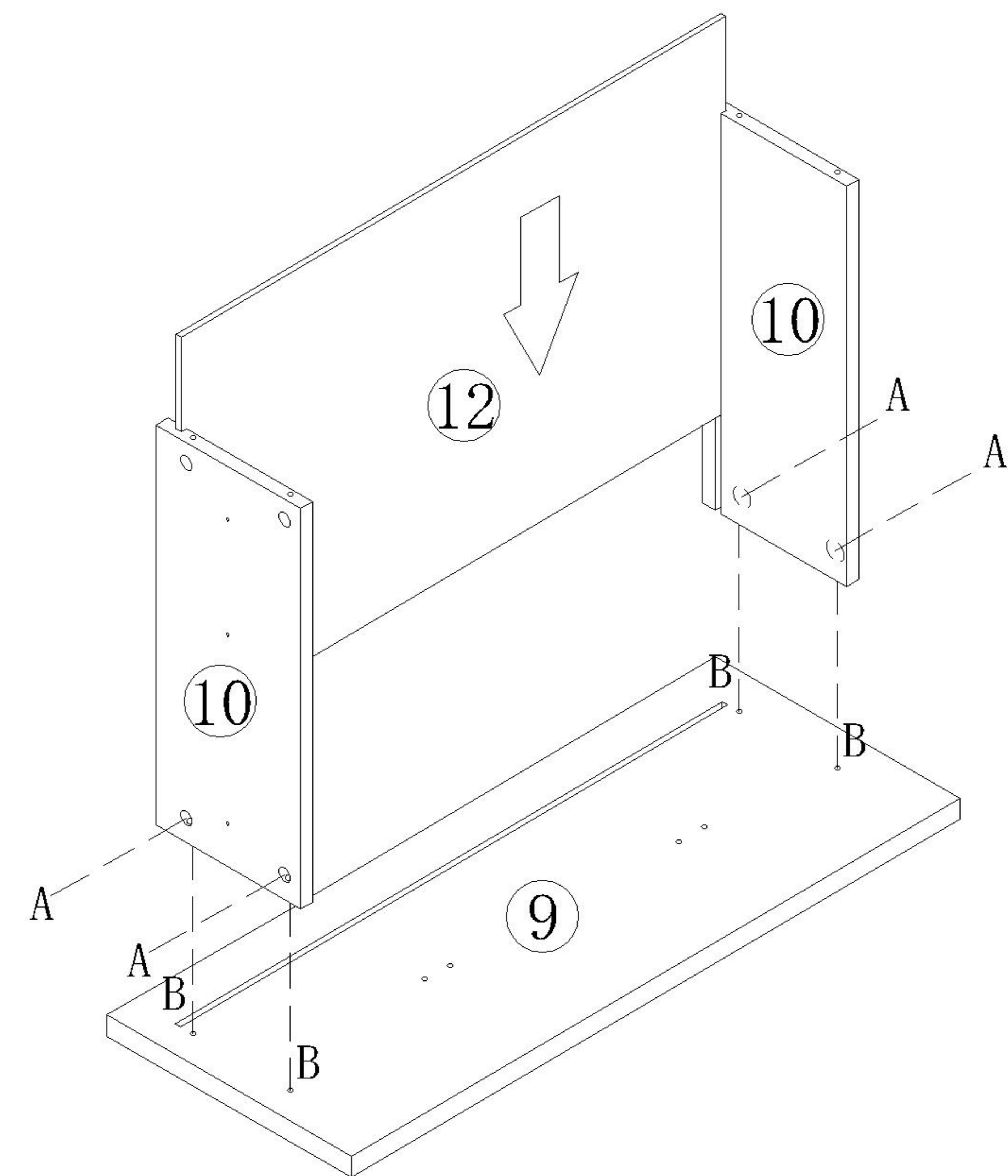
二合一 two-in-one



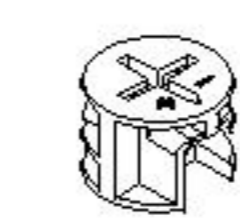
(A)*4



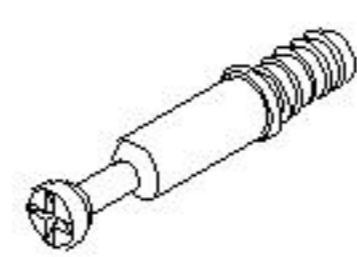
(B)*4



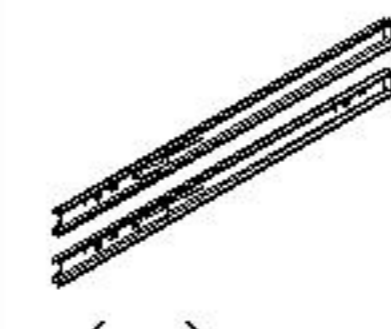
1



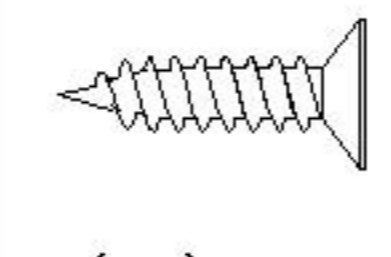
(A)*4



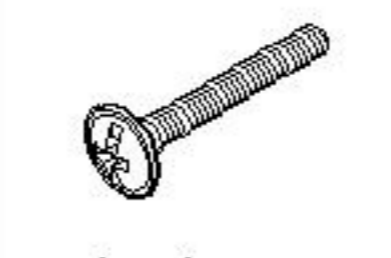
(B)*4



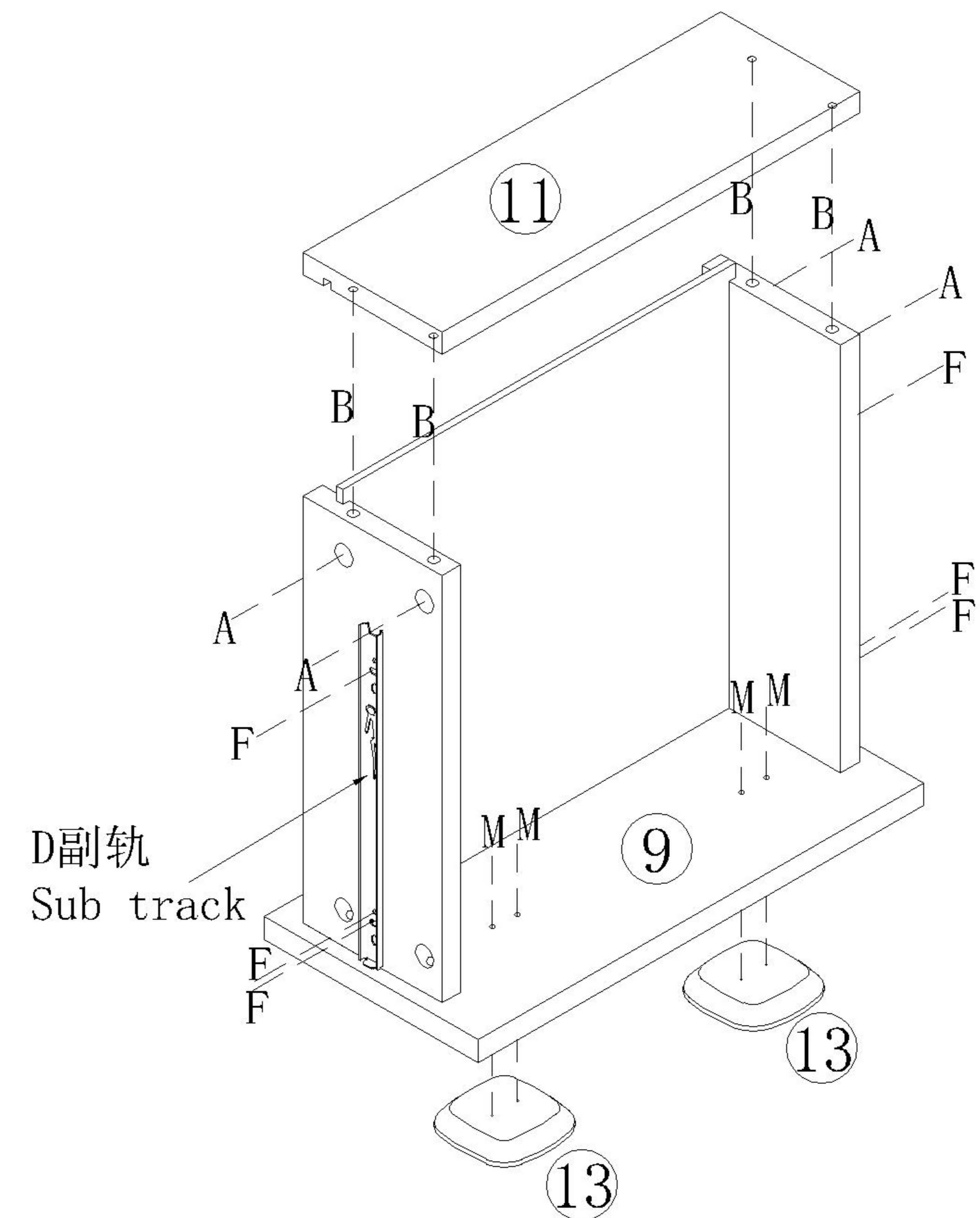
(D)*1



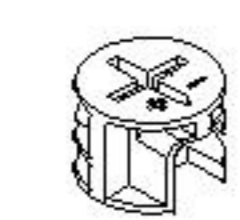
(F)*6



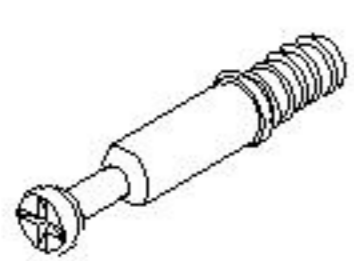
(M)*4



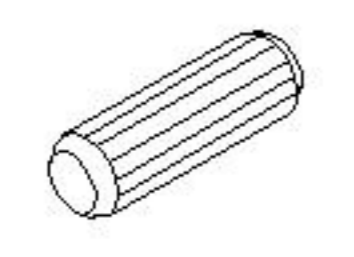
2



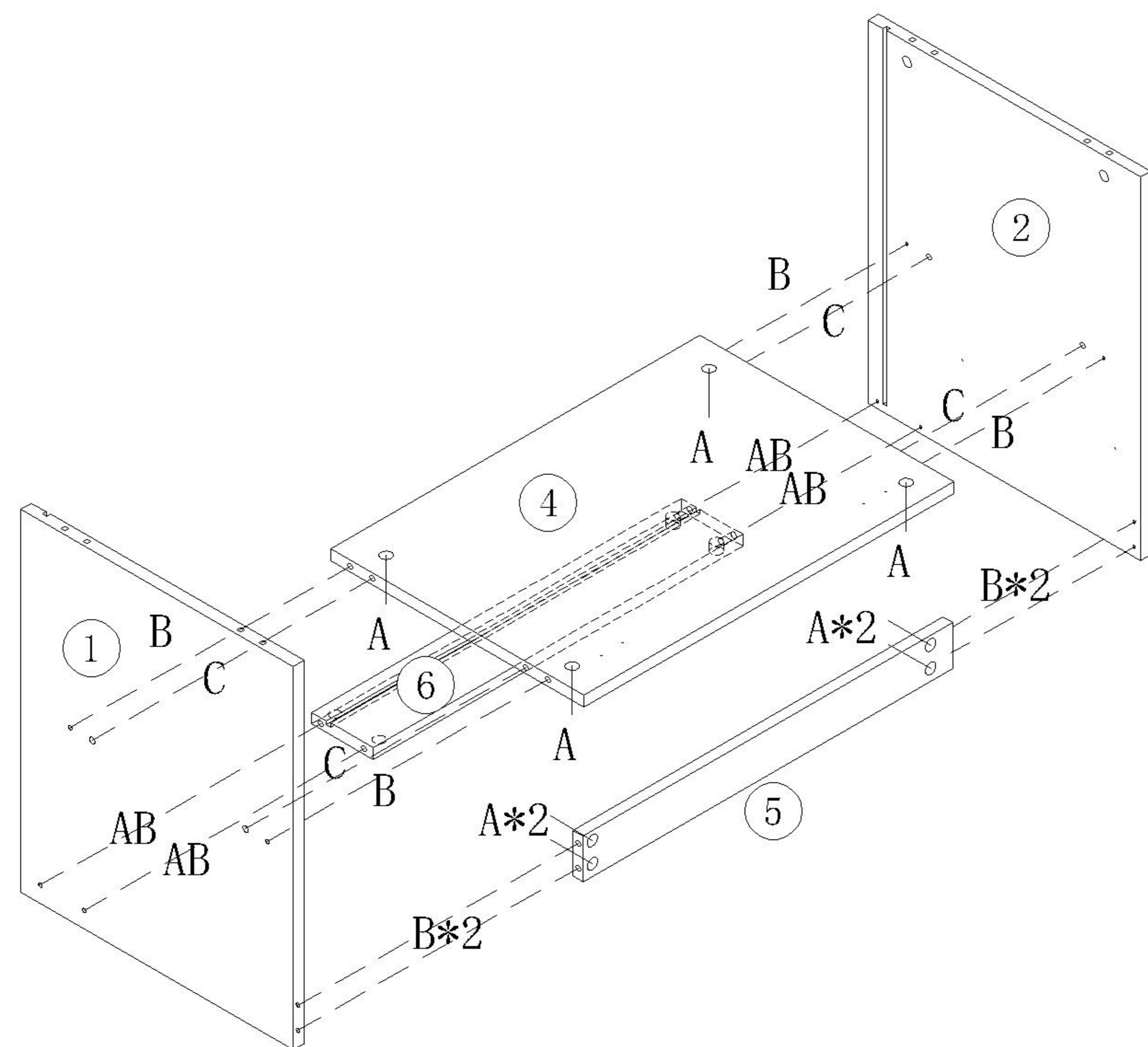
(A)*12



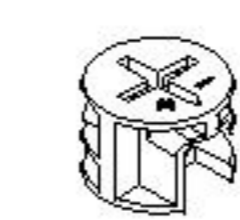
(B)*12



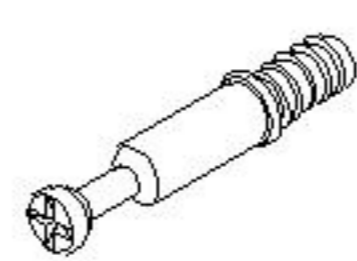
(C)*4



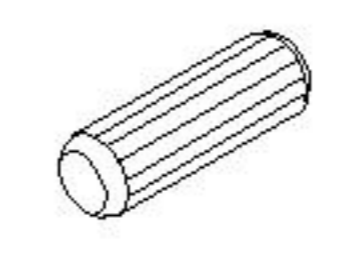
3



(A)*4



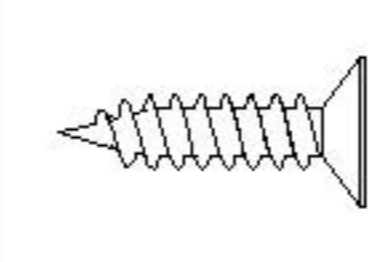
(B)*4



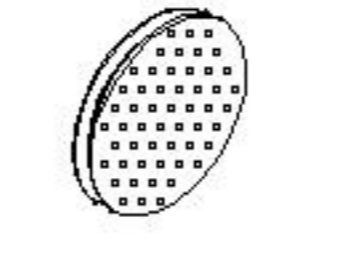
(C)*4



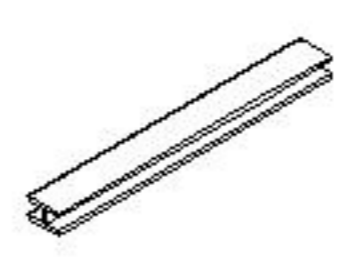
(D)*1



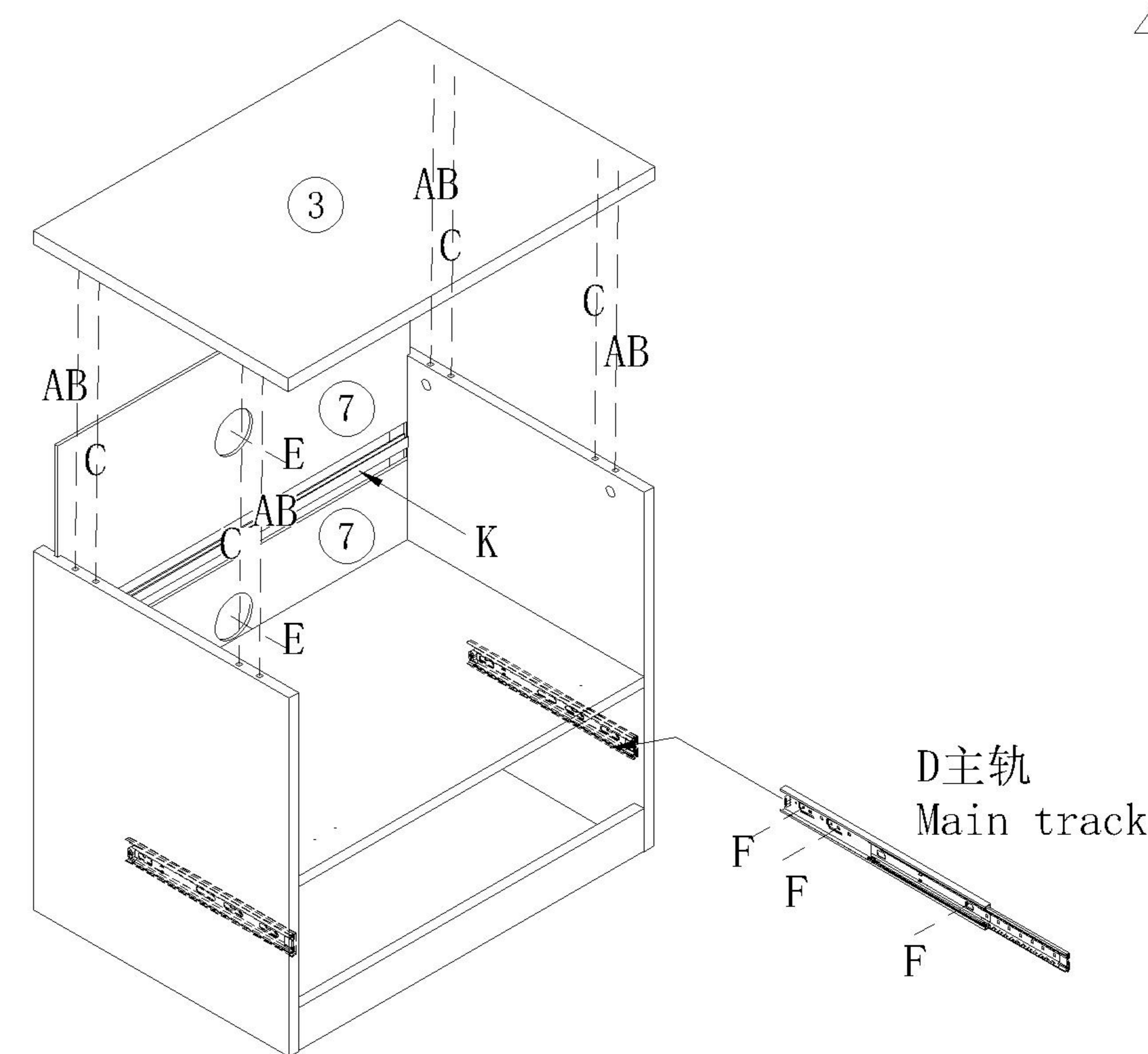
(F)*6



(E)*2

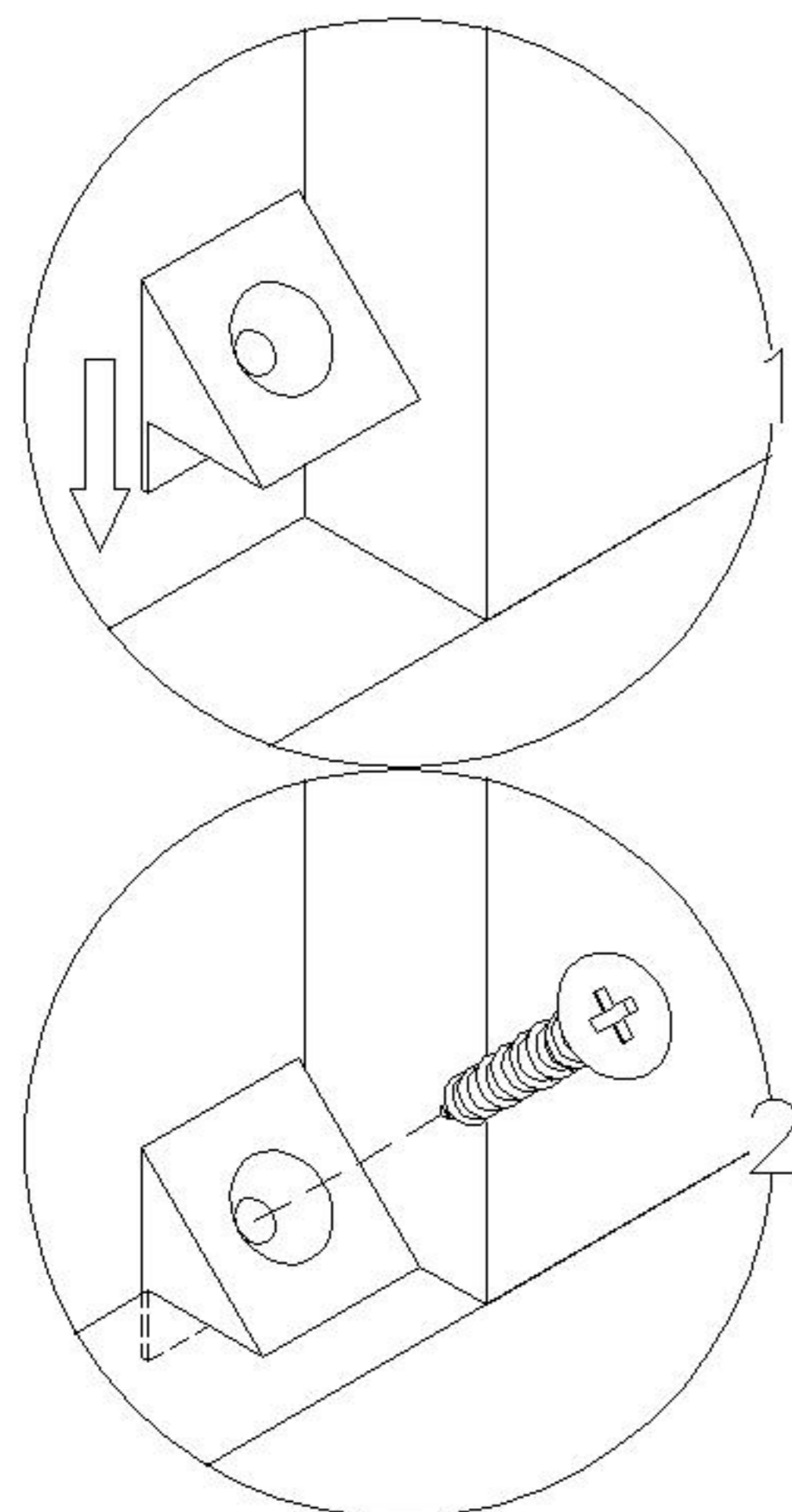


(K)*1



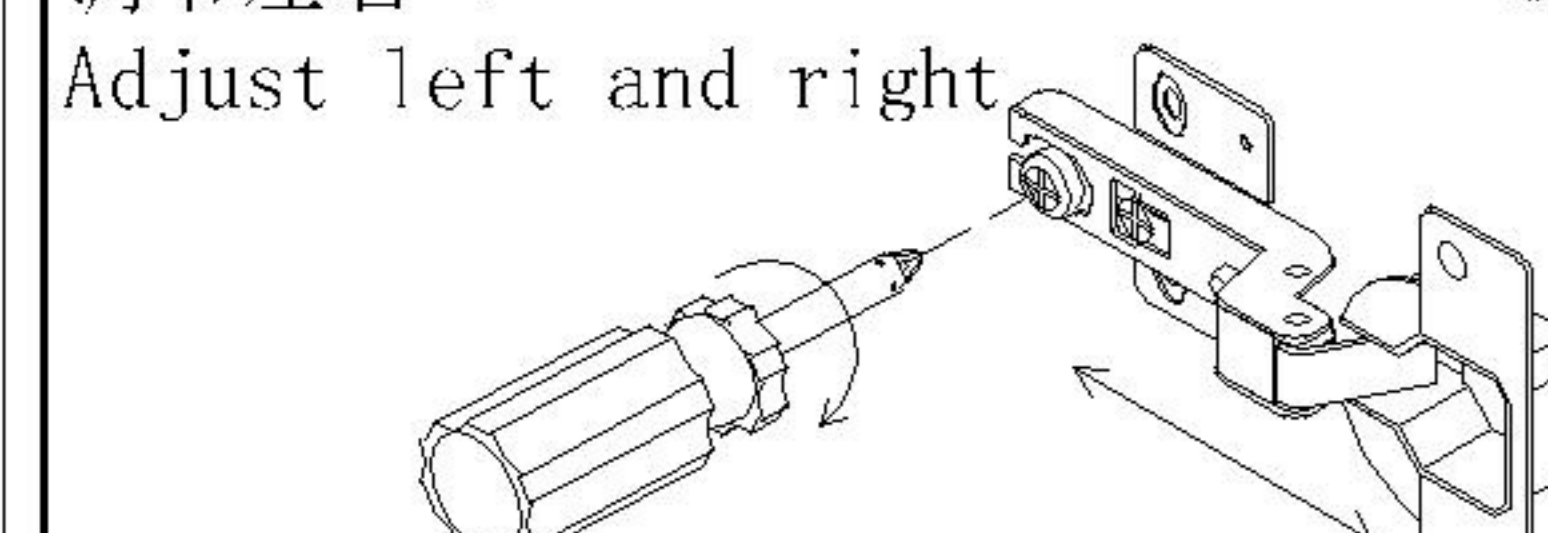
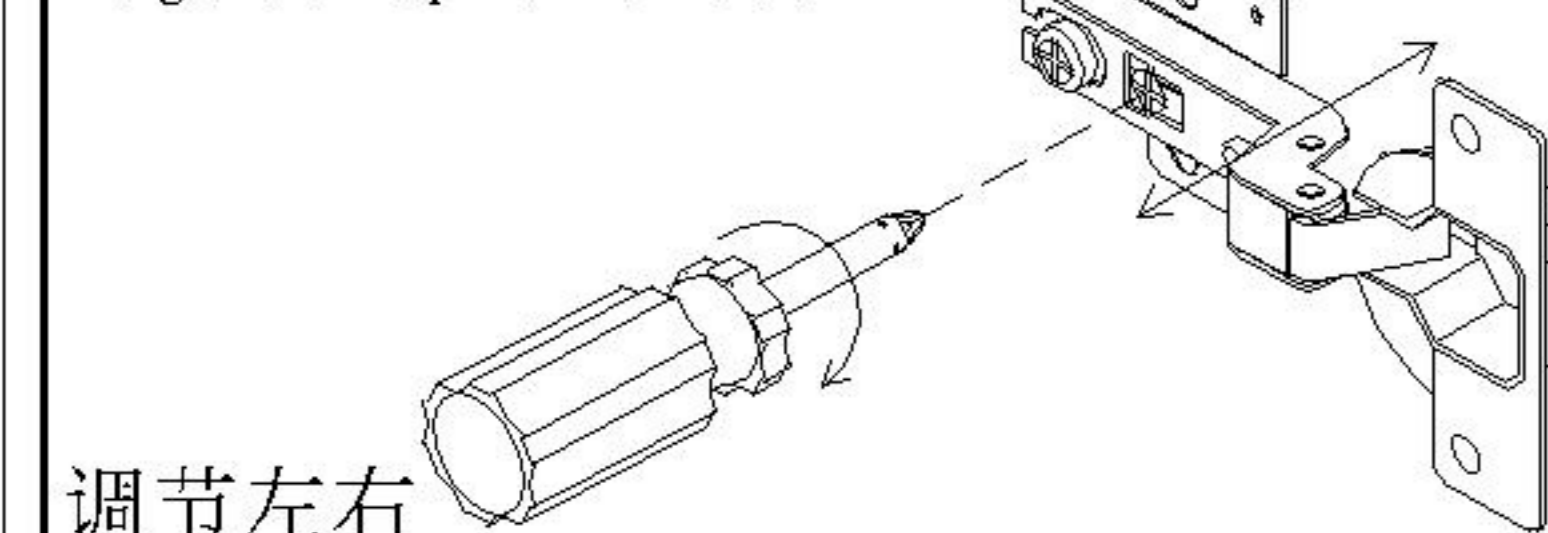
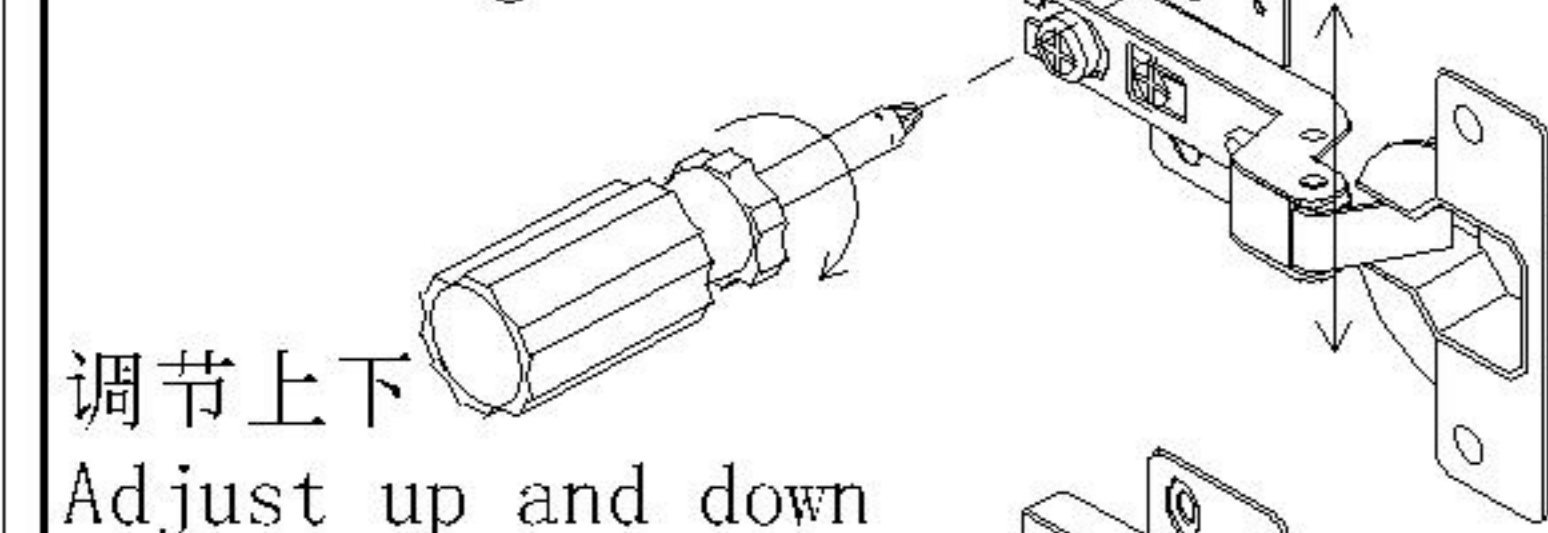
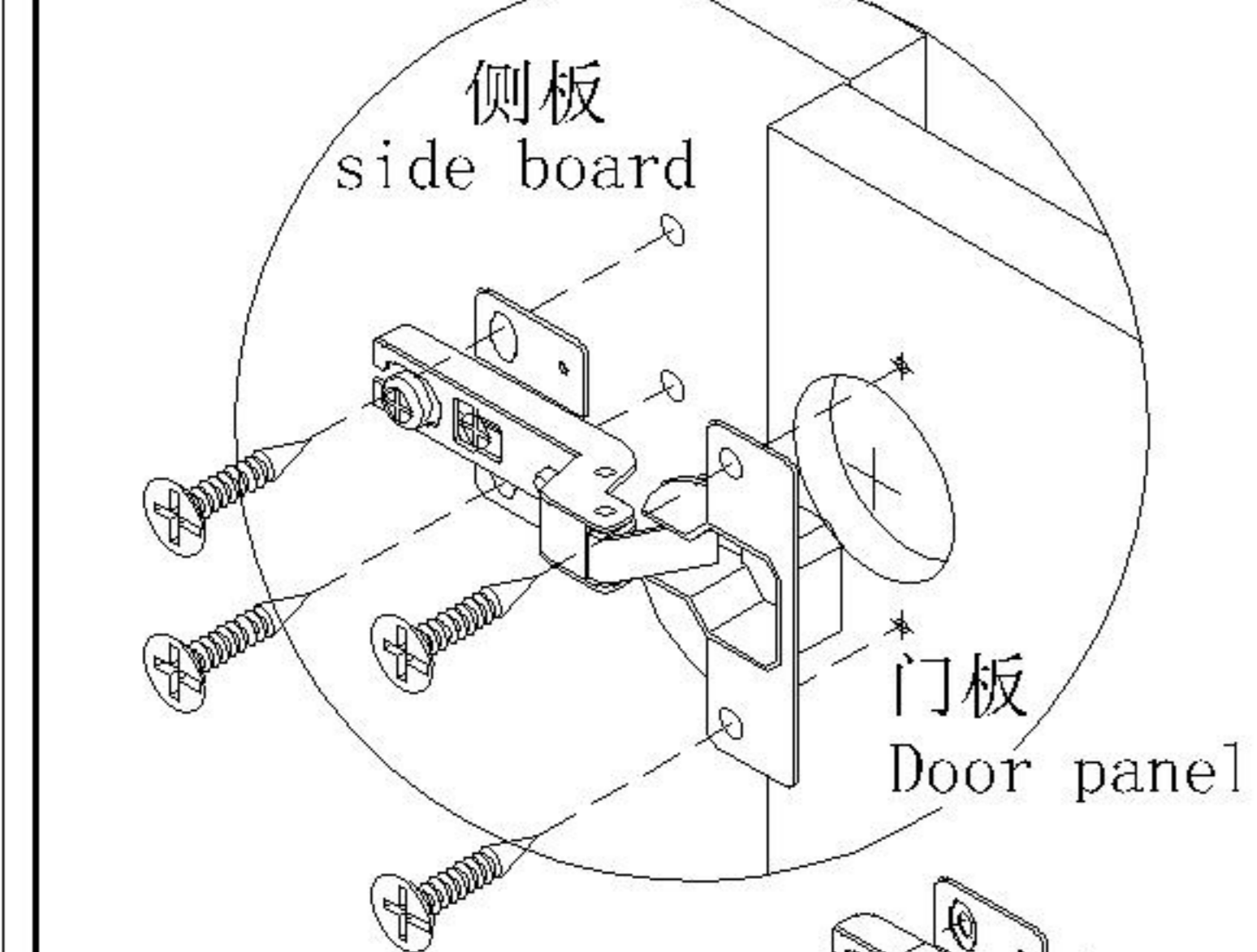
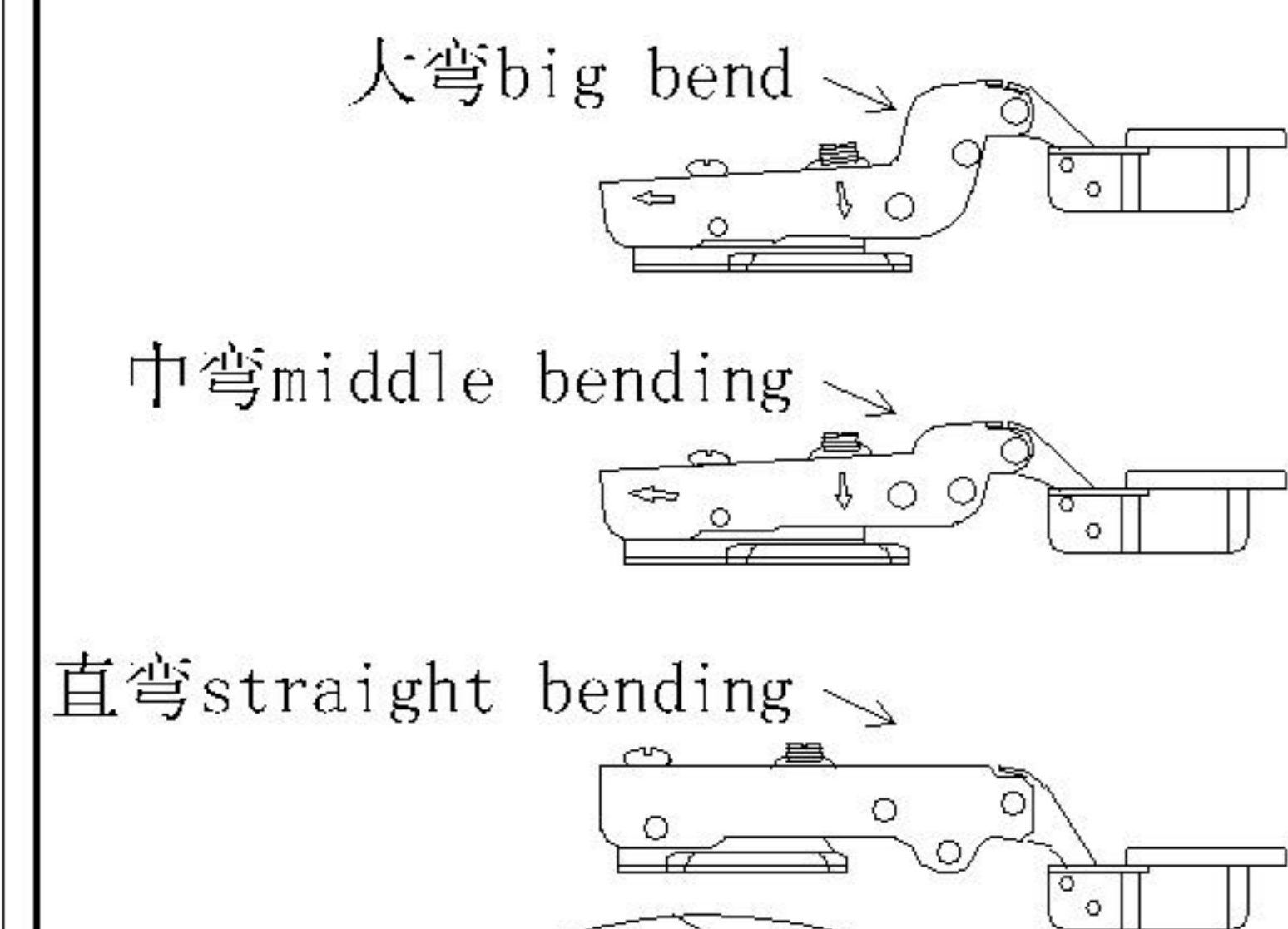
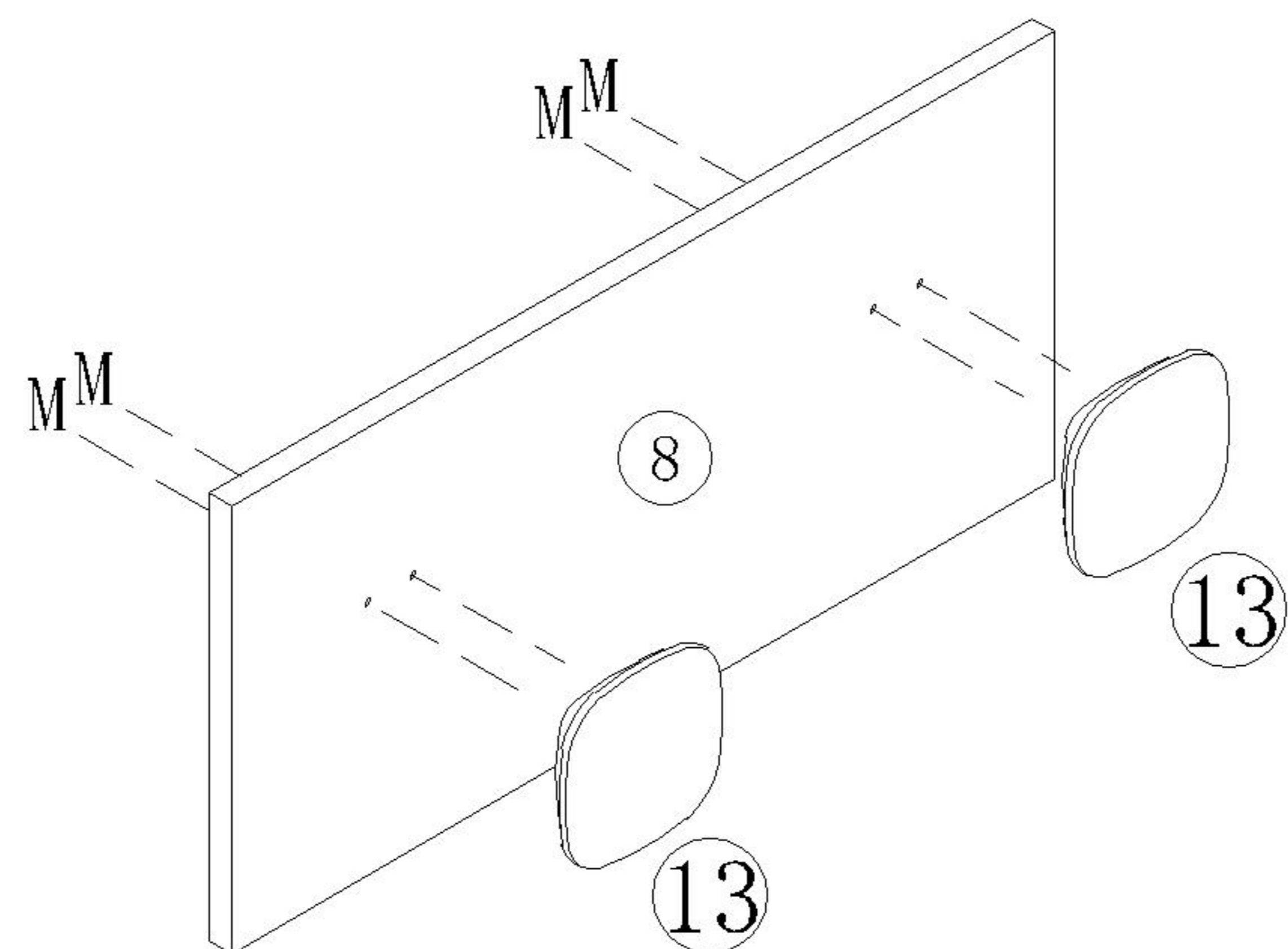
4

UN6E-D



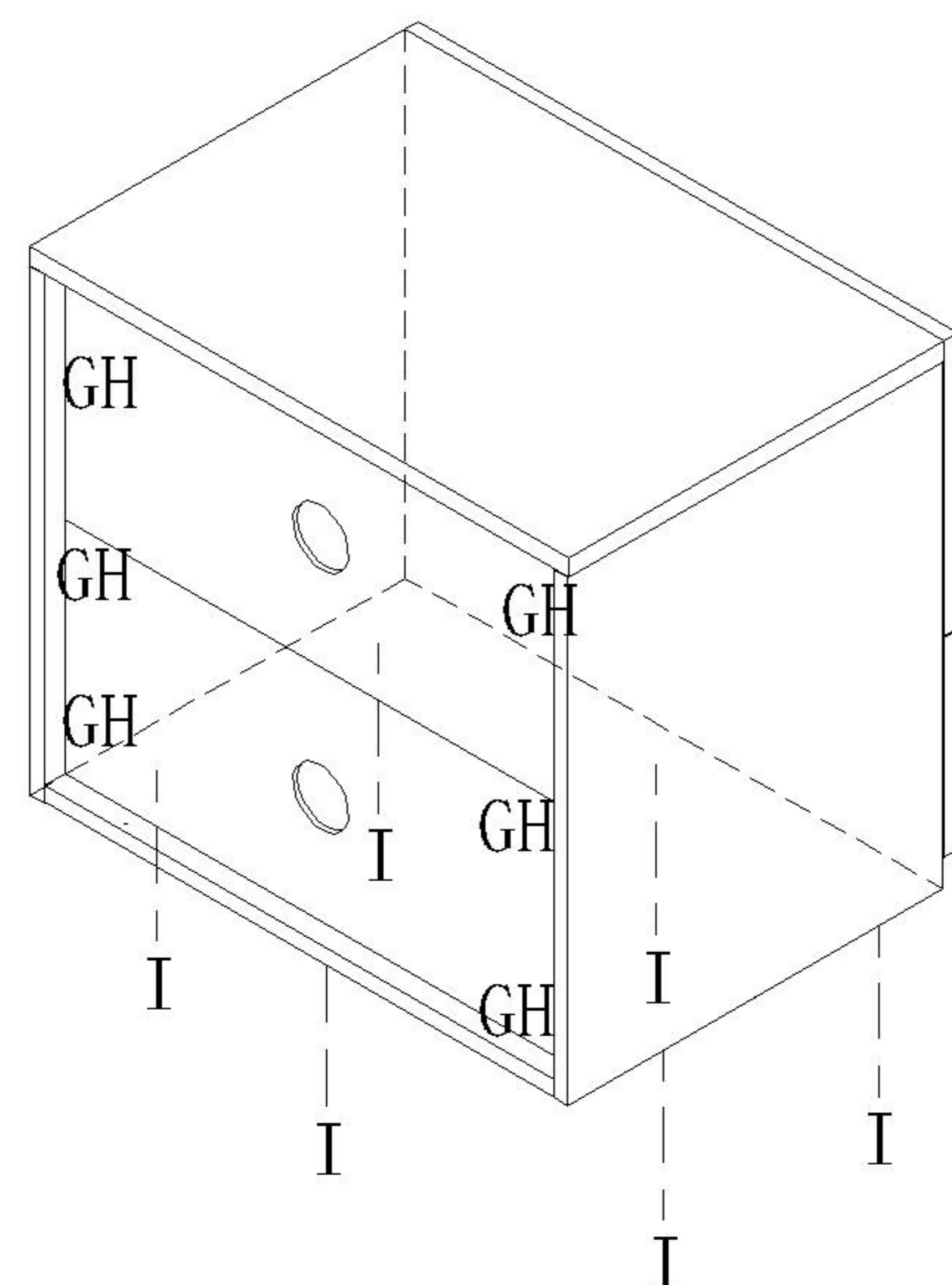
背板扣
Back Plate Buckle

(M)*4



门铰Hinge

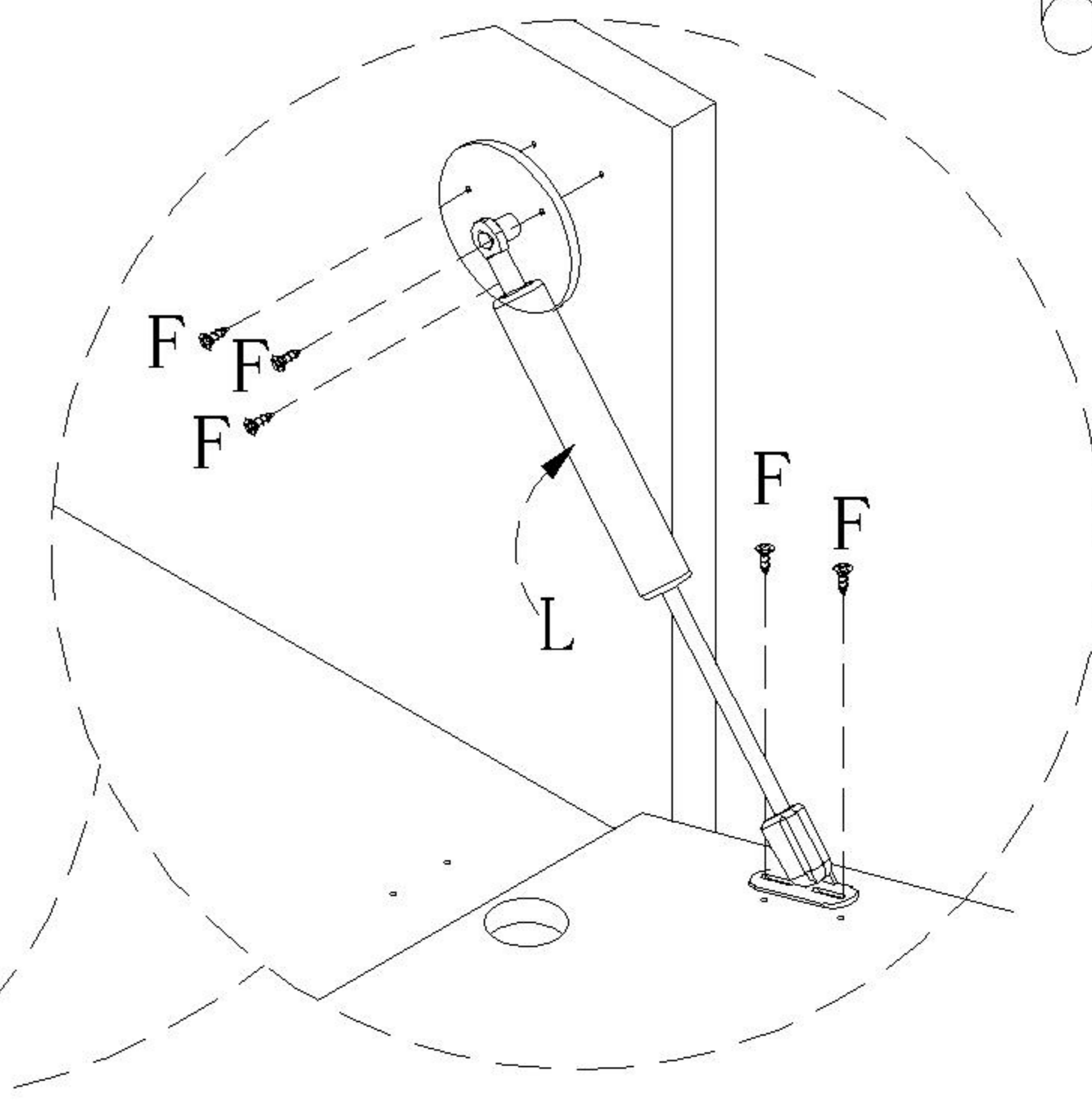
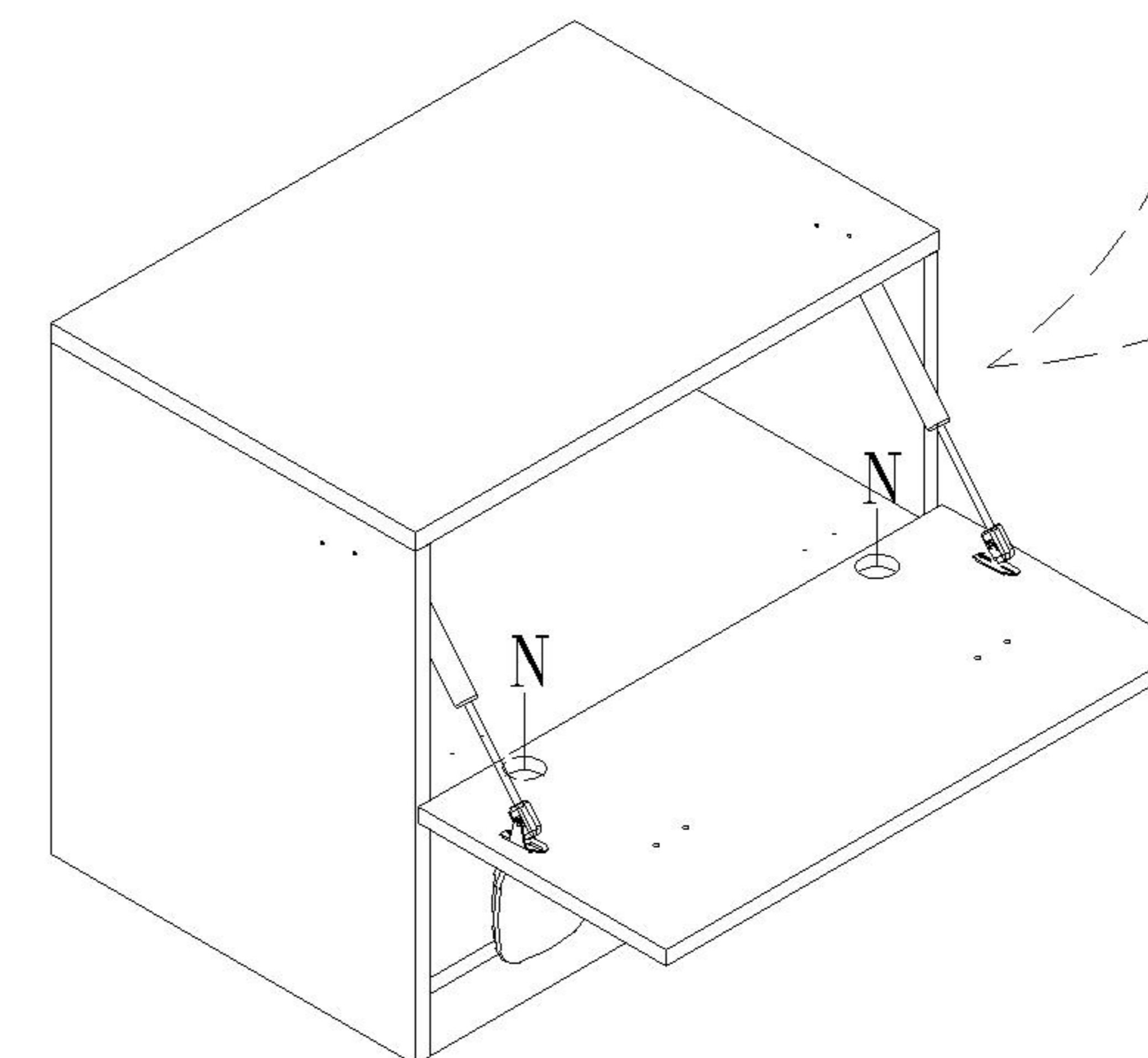
(G)*6
(H)*6
(I)*6



注：组合上柜无需安装五金I
Note: There is no need to install hardware I in the combination cabinet

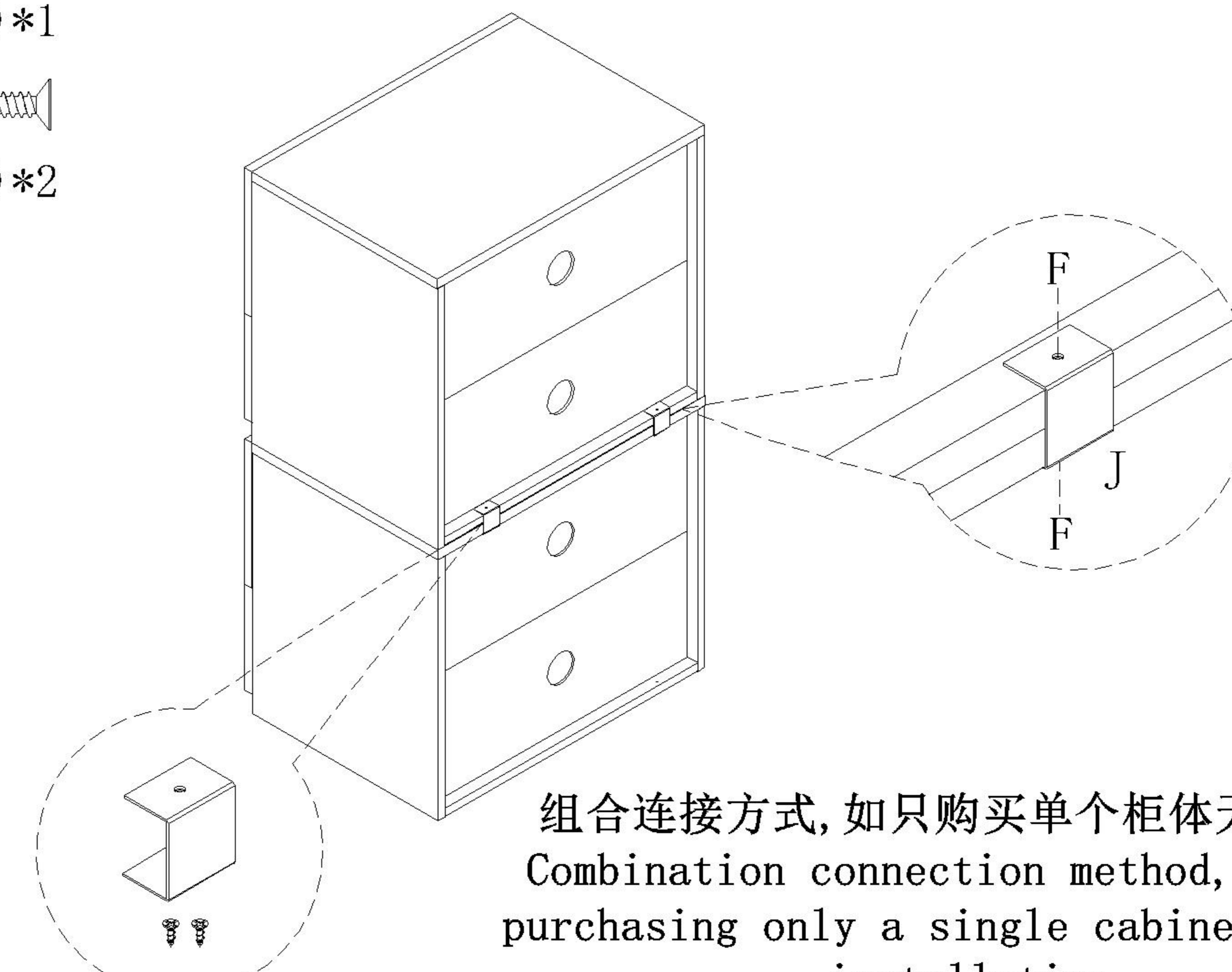
5

(N)*2
(L)*2
(F)*10



7

(J)*1
(F)*2



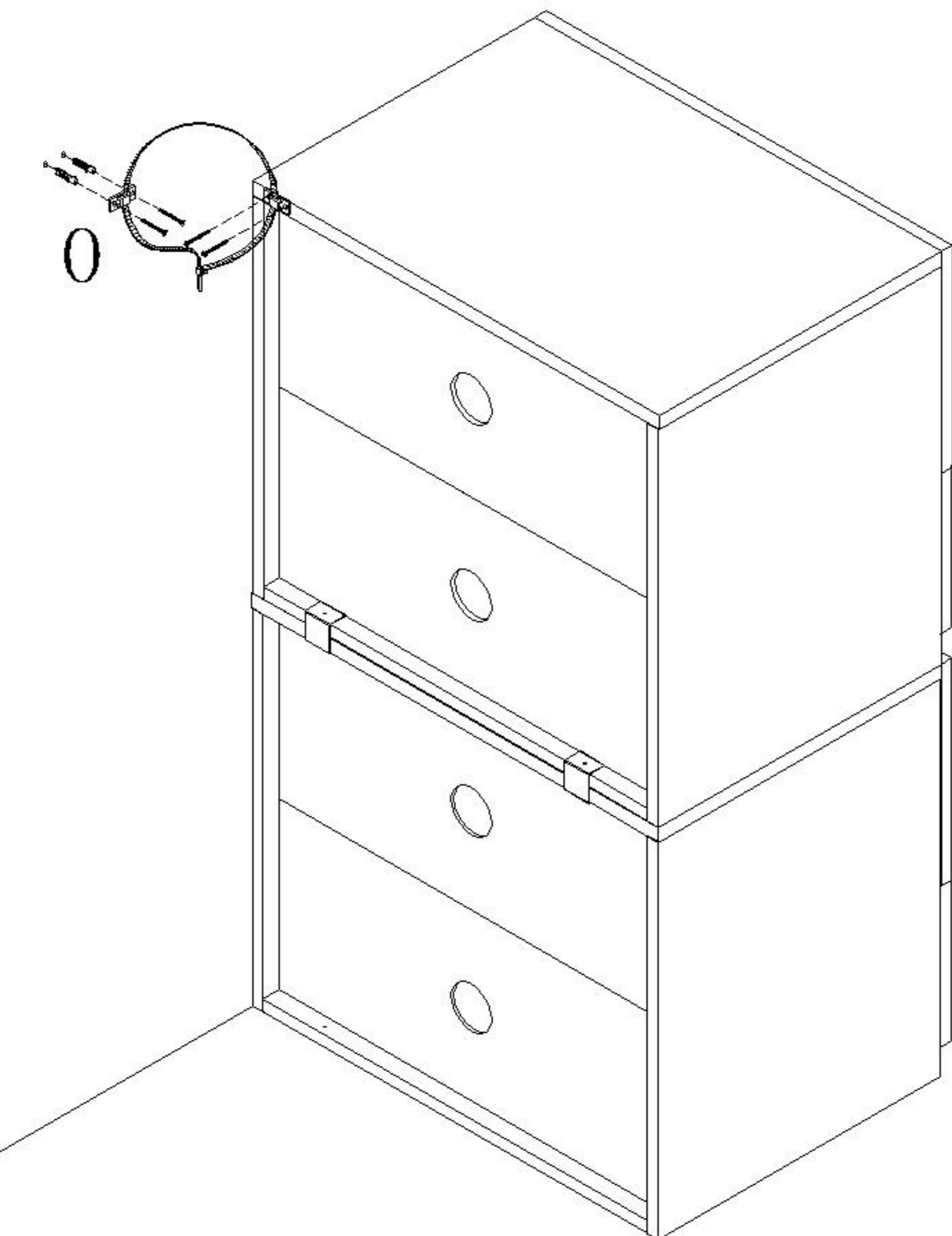
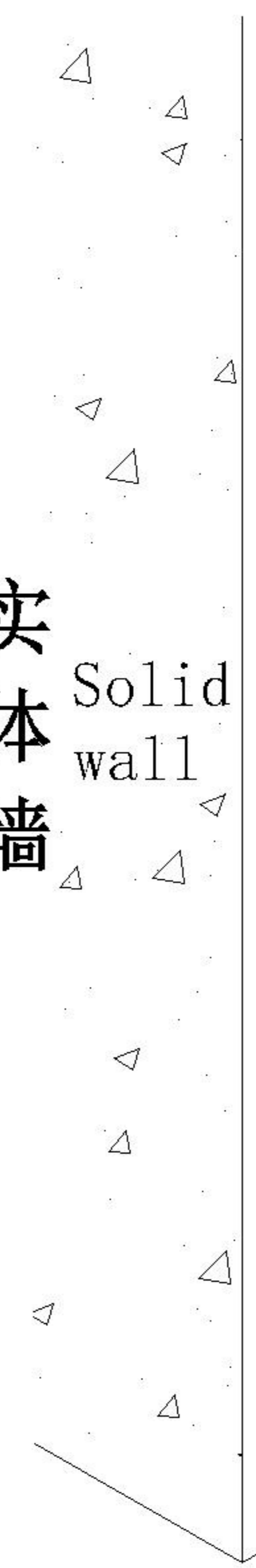
组合柜自带
The combination cabinet comes with it

组合连接方式, 如只购买单个柜体无需安装
Combination connection method, such as purchasing only a single cabinet without installation

(0)*1

柜子组合高度超600MM需安装上防倒器
Cabinet combination height exceeding
600MM requires installation of an
anti fall device

实体墙
Solid wall



0处放大图
Enlarge figure

