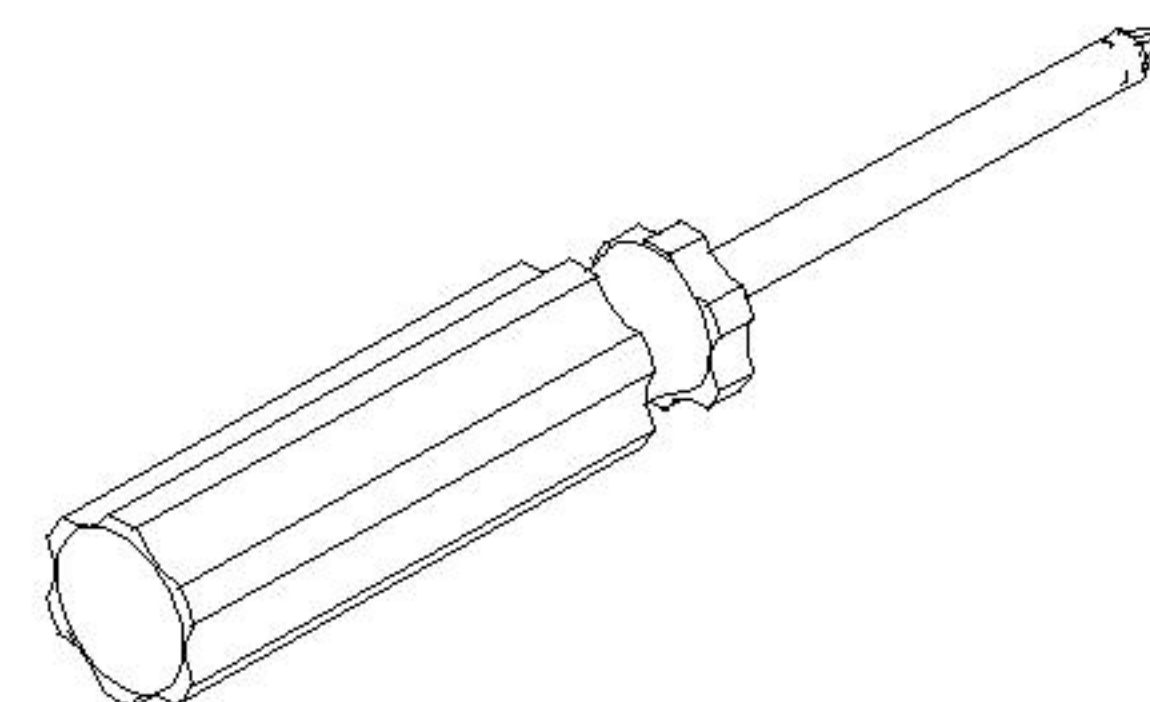
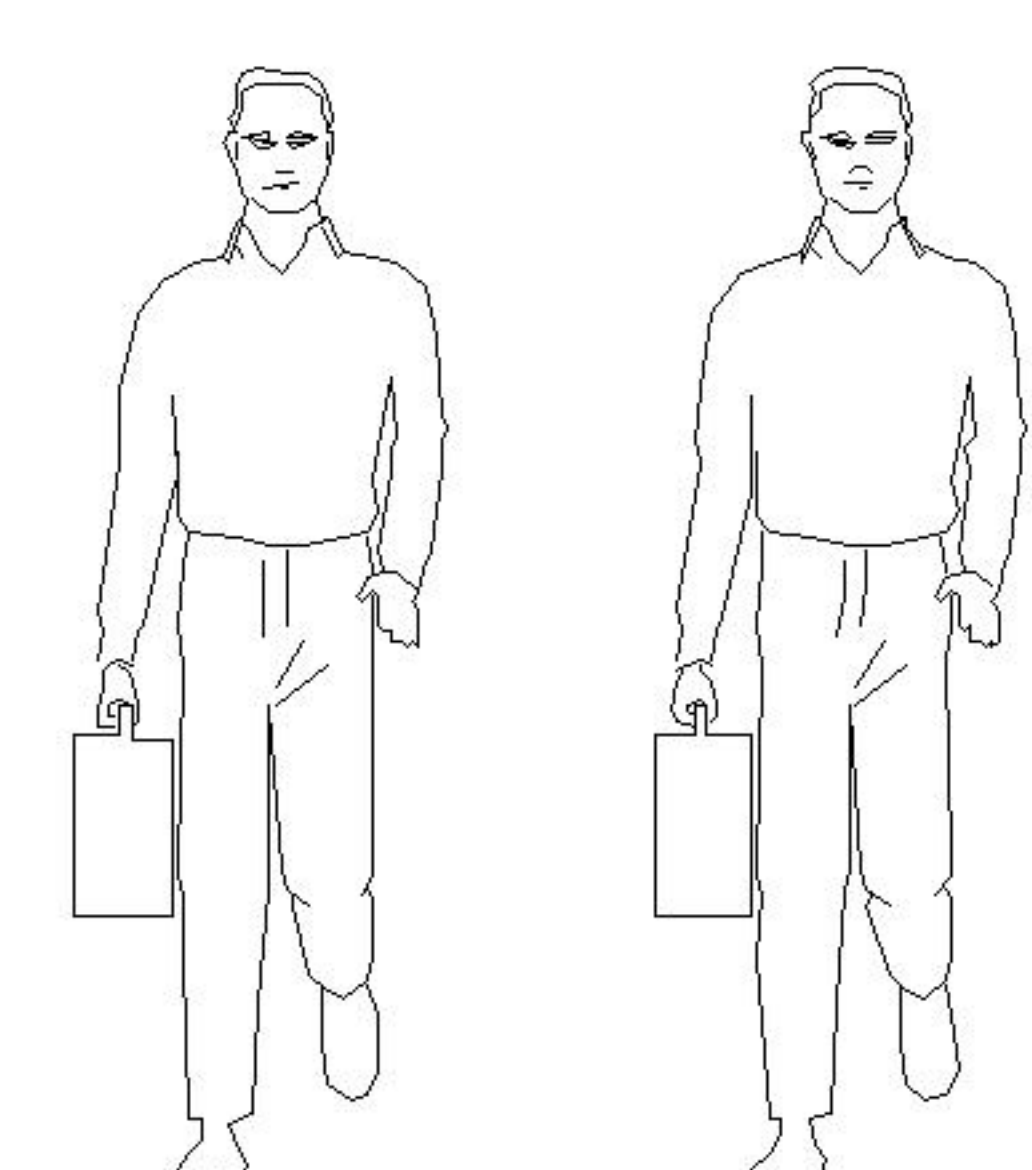


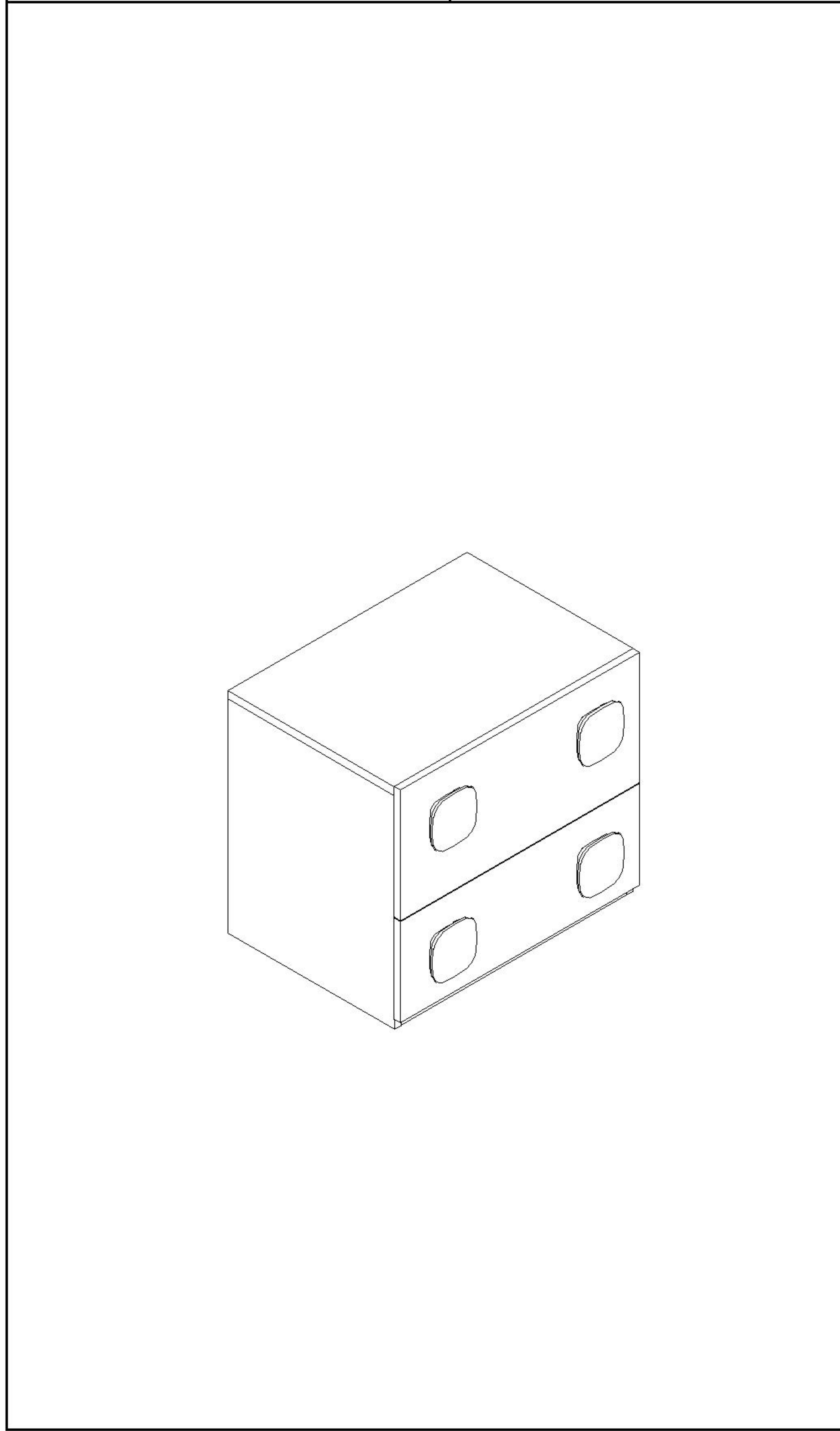
LINSY 林氏家居

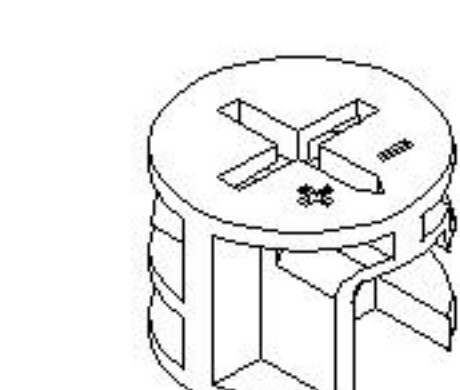
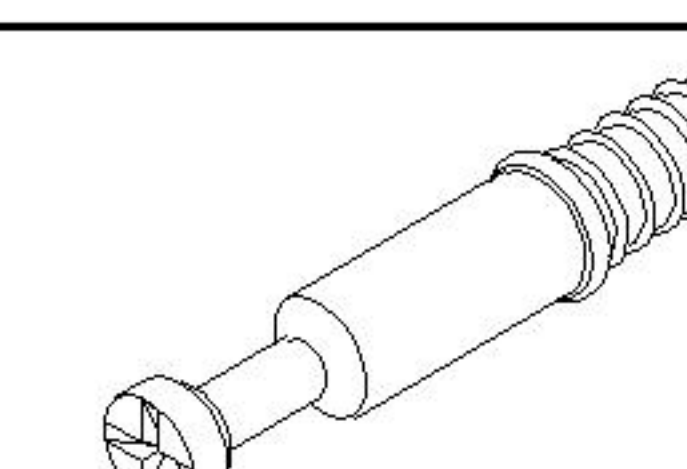
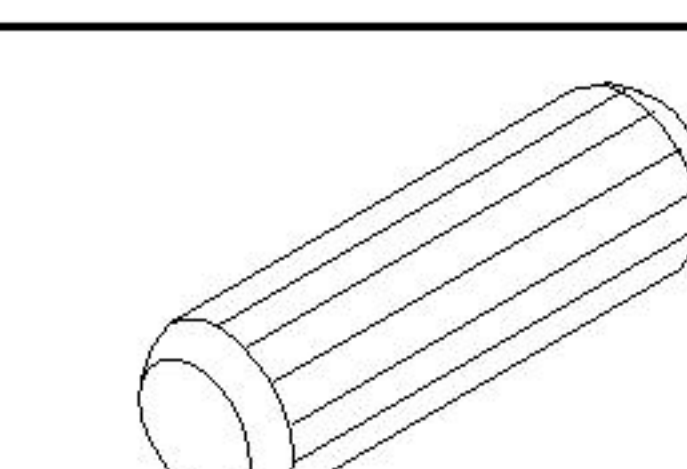
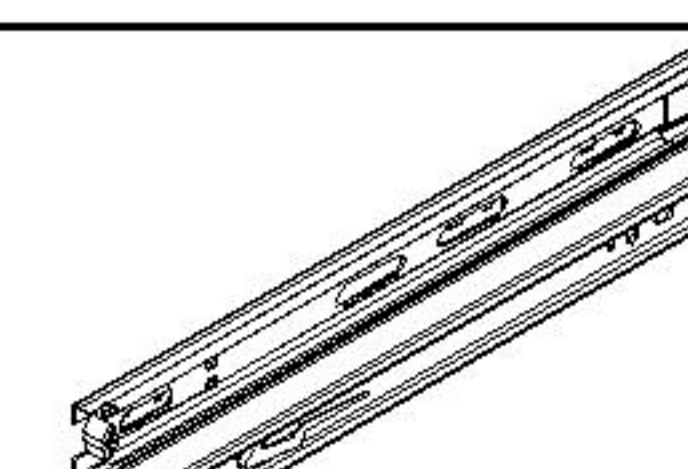
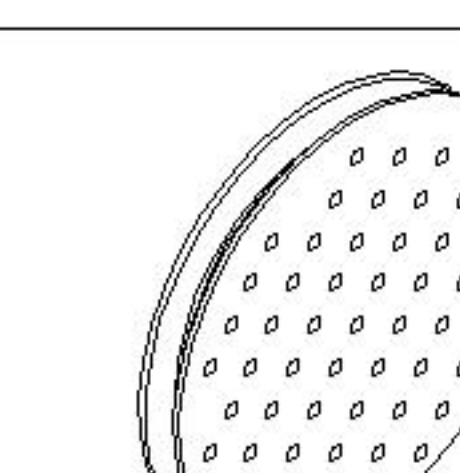
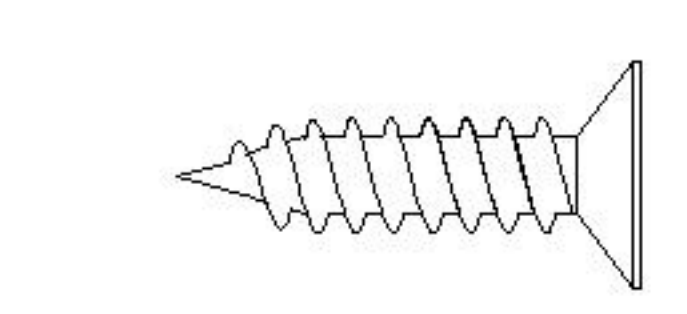
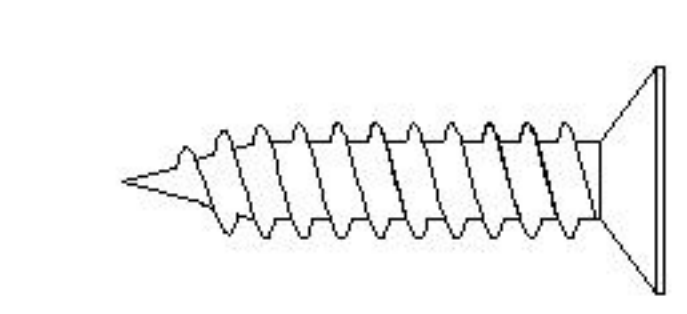
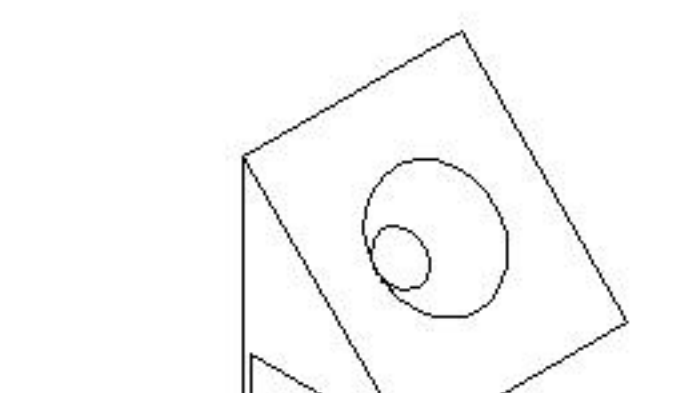
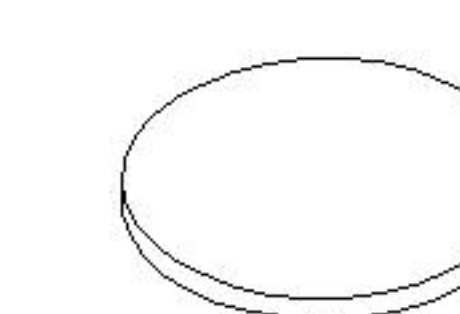
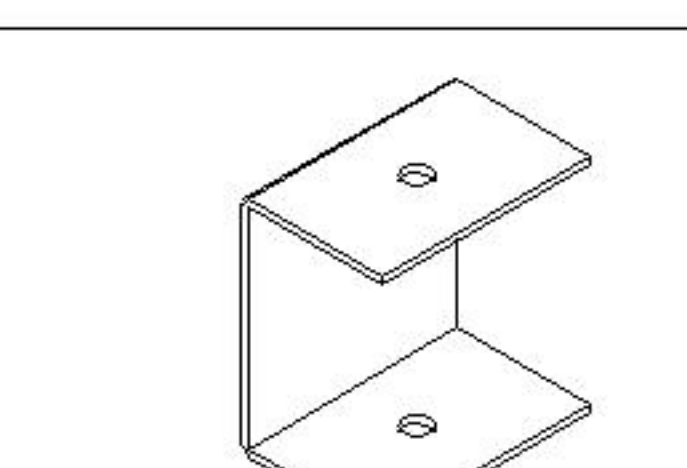
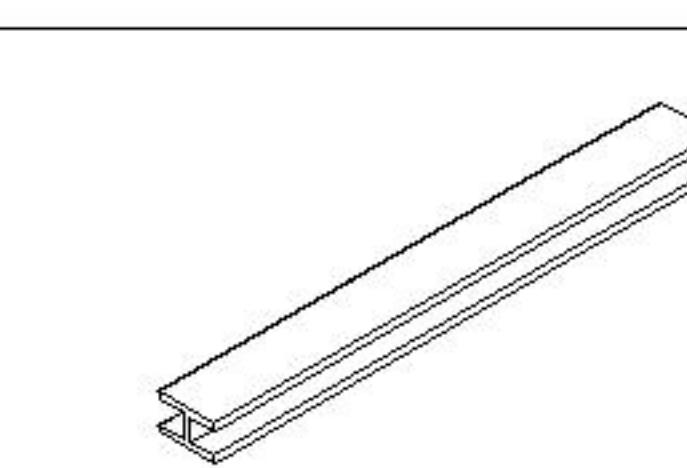
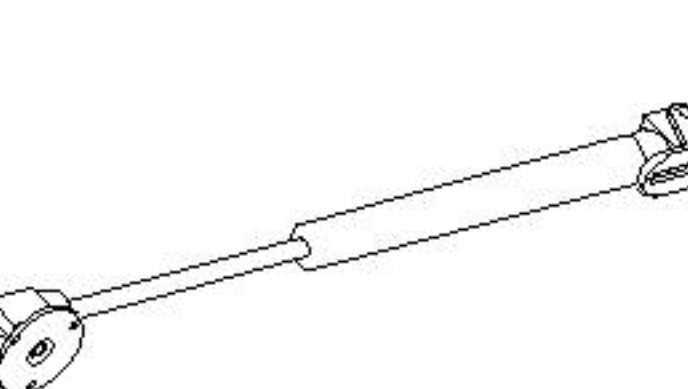
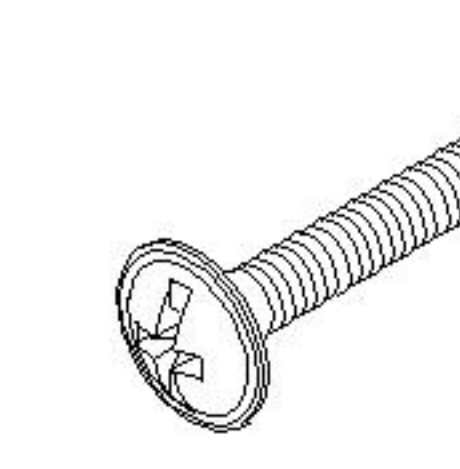
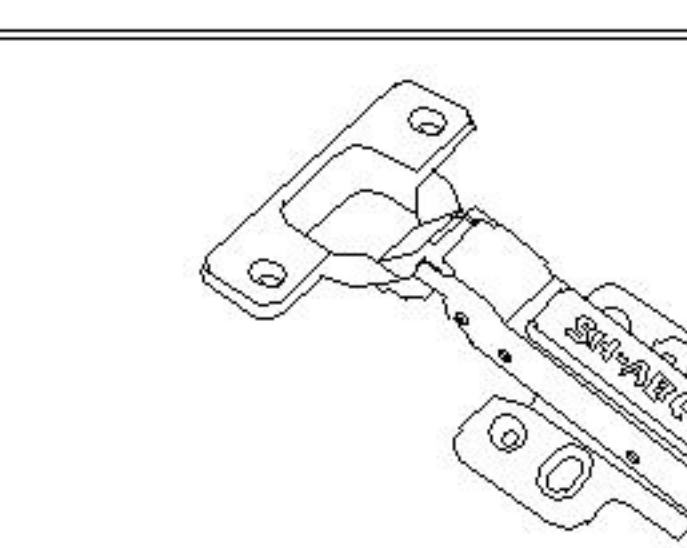
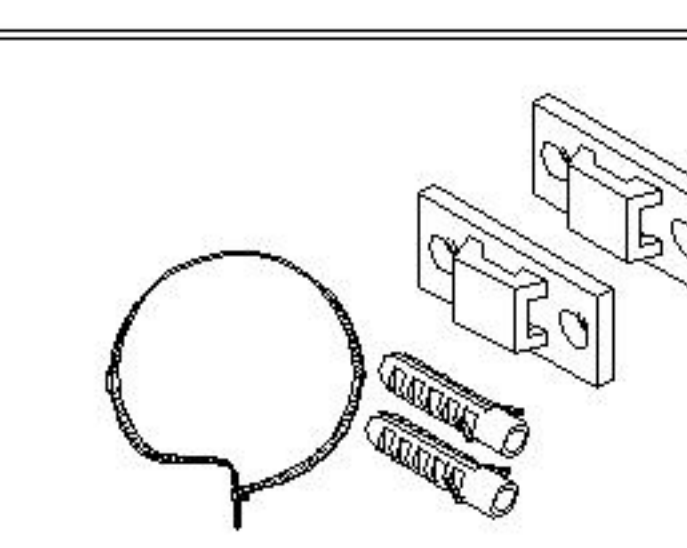
五金表/Hardware list

部件表/Parts List

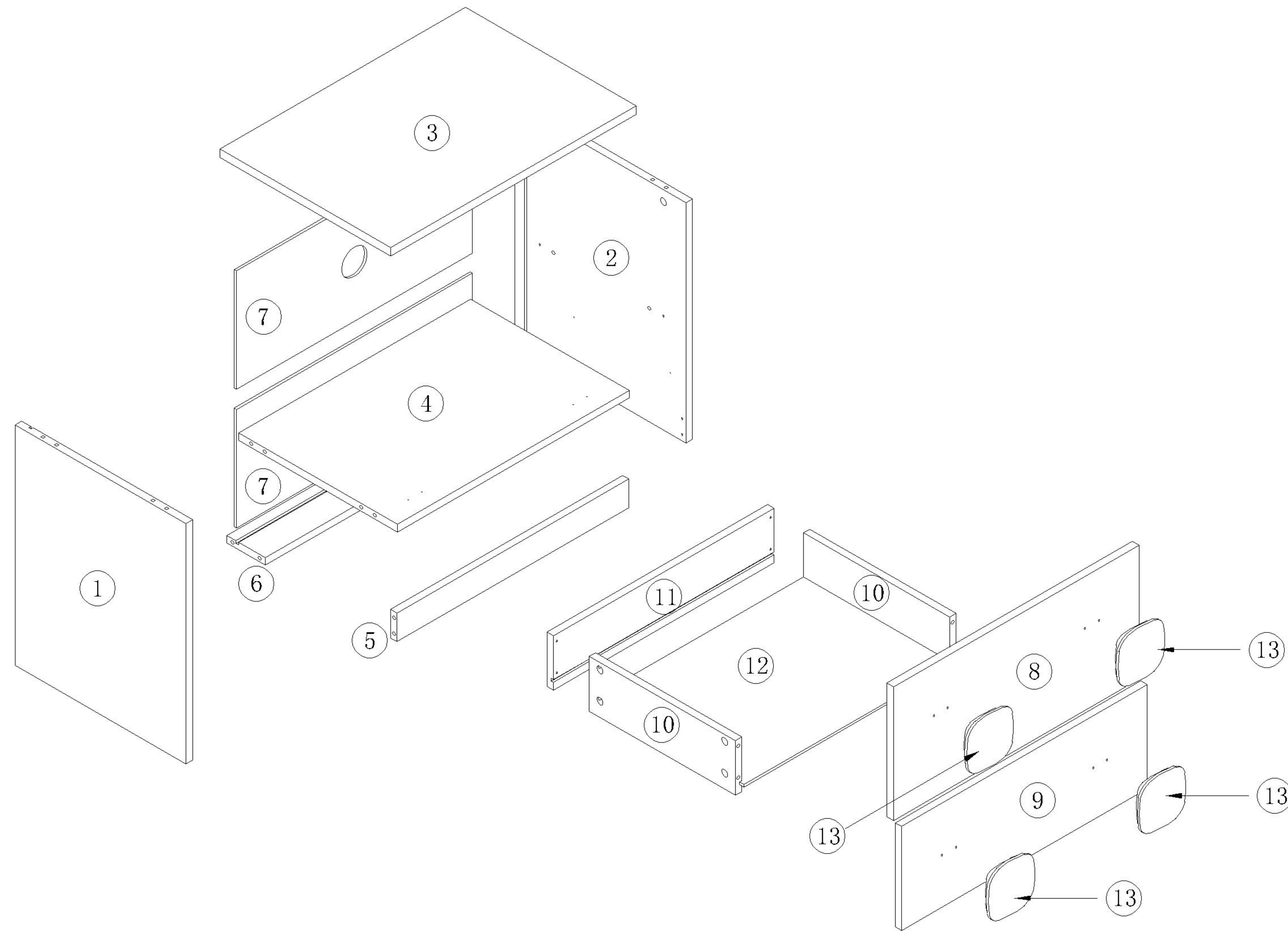
安装示意图/Assembly Instruction

产品名称 Model NO.	UN6E-A
产品规格 Specification	572*433*503mm
安装工具 Tool	安装人数 Installer
	



 (A)* 25 大三合一锁饼 Three-in-one large lock	 (B)* 25 二合一螺杆 2-in-1-screw	 (C)* 8 木榫08x30mm wood tenon	 (D)* 1 三节滚珠导轨-12" three-section ball rail
 (E)* 2 透气孔盖-白色 Vent cover - white	 (F)* 25 自攻螺丝M3.5x12mm Self-tapping screw	 (G)* 6 自攻螺丝M3.5x16mm Self-tapping screw	 (H)* 6 背板扣 Back Plate Buckle-White
 (I)* 6 脚垫-灰色 Footrest - Grey	 (J)* 1 U型卡扣 U-shaped buckle	 (K)* 1 夹板条-L=539 splint strip	 (L)* 2 气动杆 Pneumatic rod
 (M)* 8 拉手螺丝-M1x25mm Pulling screw	 (N)* 2 中弯缓冲门铰-杯径035 Middle bending hinge	 (O)* 1 家具防倒器-白色 Anti-fall device	

编号NO.	名称Name	规格 (mm) Specification	数量QTY	材质Material
①	左外侧板 Left lateral plate	485*398*15	1	刨花板 Particle board
②	右外侧板 Right lateral plate	485*398*15	1	刨花板 Particle board
③	顶板Top board	572*398*15	1	刨花板 Particle board
④	层板Shelf	540*370*15	1	刨花板 Particle board
⑤	前立水Front apron	540*58*15	1	刨花板 Particle board
⑥	后立水Back dress	540*90*15	1	刨花板 Particle board
⑦	背板Back board	550*239*5	2	纤维板 Fiberboard
⑧	门板Door board	572*270*15	1	刨花板 Particle board
⑨	抽屉面板 Drawer's top panel	572*210*15	1	刨花板 Particle board
⑩	抽屉侧板 Drawer's sideboard	340*110*15	2	刨花板 Particle board
⑪	抽屉后板 Drawer's Back board	514*110*15	1	刨花板 Particle board
⑫	抽屉底板 Drawer's Bottom board	494*350*5	1	纤维板 Fiberboard
⑬	拉手Handle	110*110*20	4	橡胶木Rubber wood



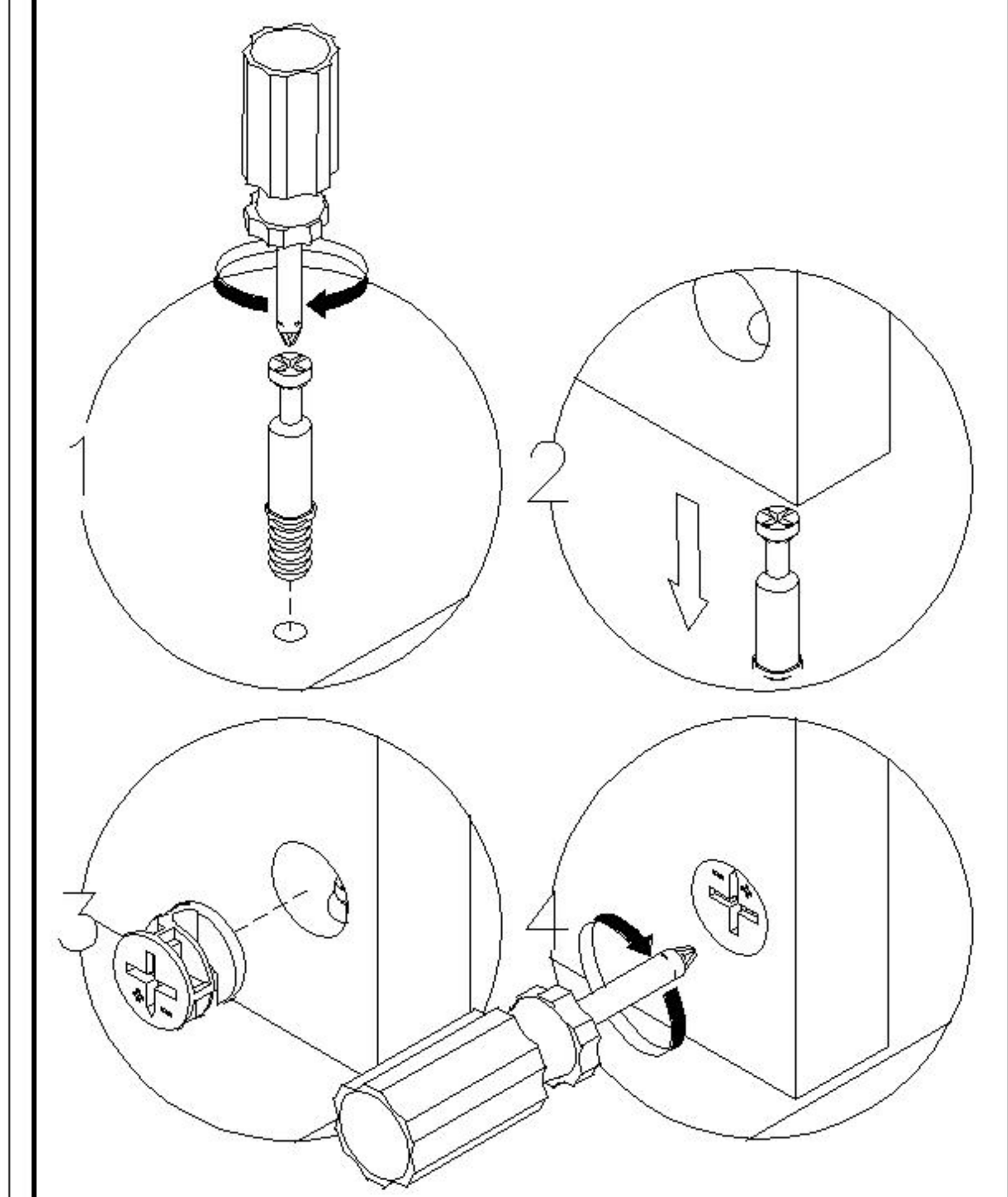
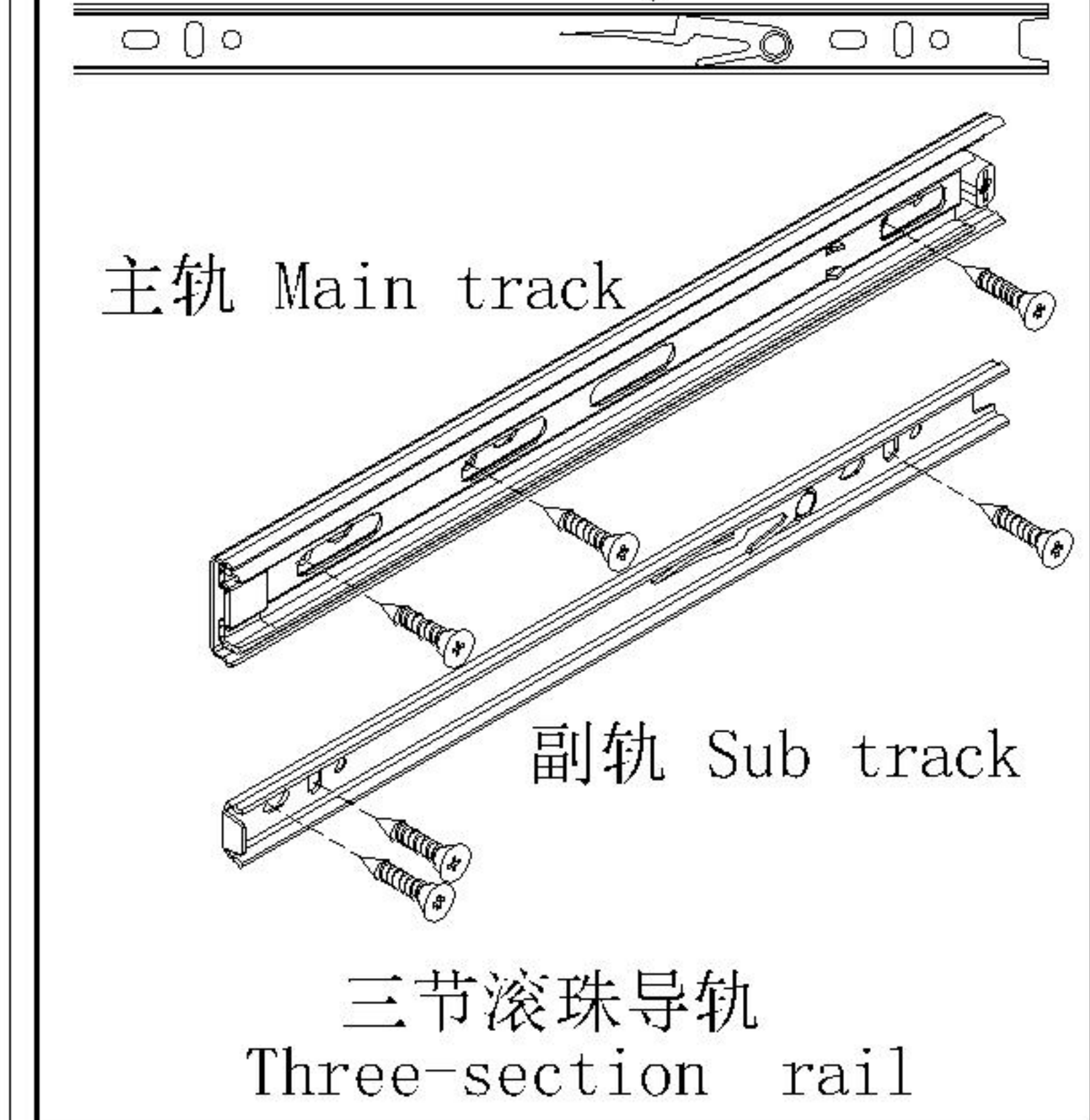
编号NO.	名称Name
①	左外侧板 Left lateral plate
②	右外侧板 Right lateral plate
③	顶板Top board
④	层板Shelf
⑤	前立水Front apron
⑥	后立水Back dress
⑦	背板Back board
⑧	门板Door board
⑨	抽屉面板 Drawer's top panel
⑩	抽屉侧板 Drawer's sideboard
⑪	抽屉后板 Drawer's Back board
⑫	抽屉底板 Drawer's Bottom board
⑬	拉手Handle

UN6E-A

安装方法/
Installation method

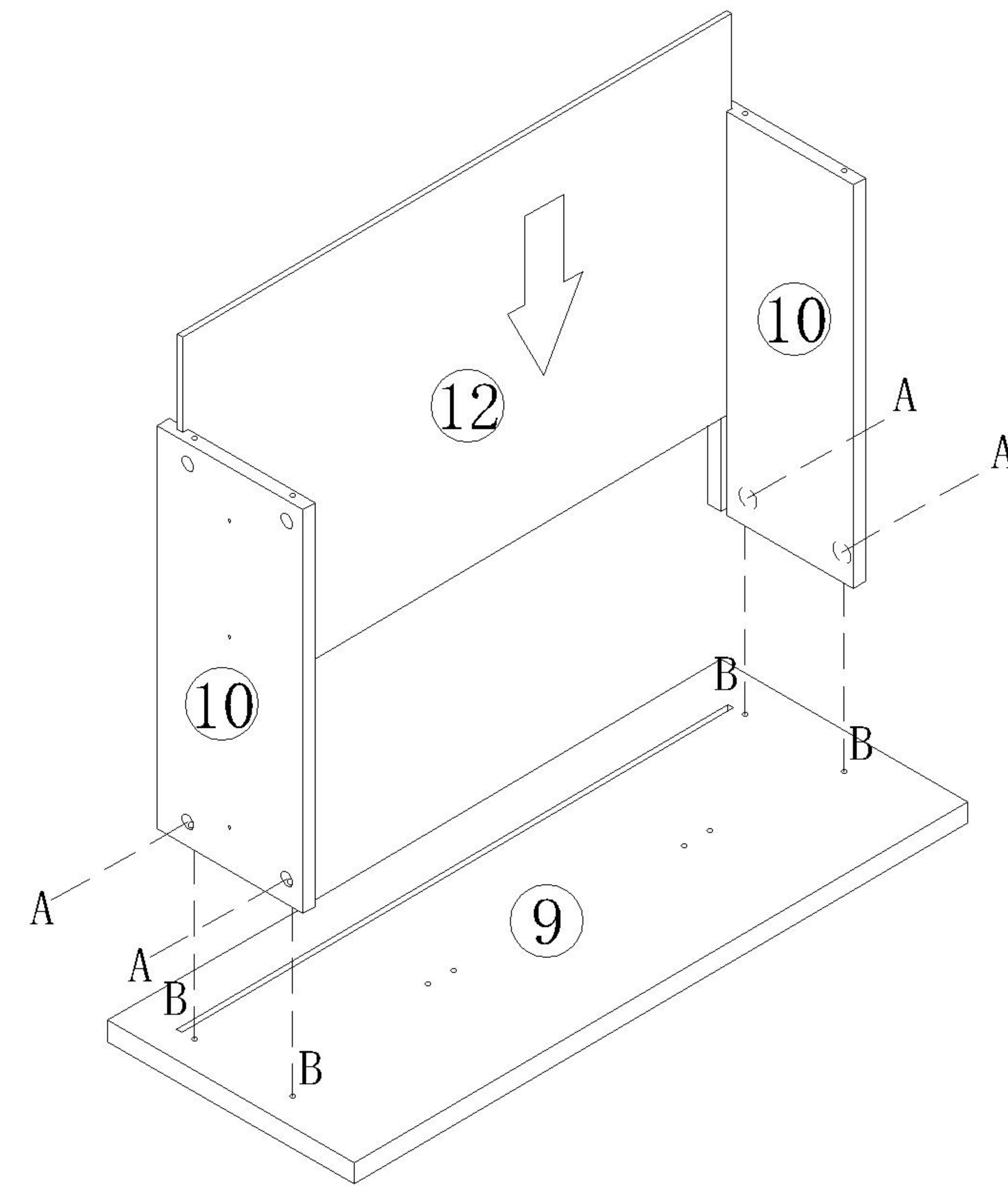
阀门开关(下压为开)
Valve switch (press down to open)

前 Forward 后 Back



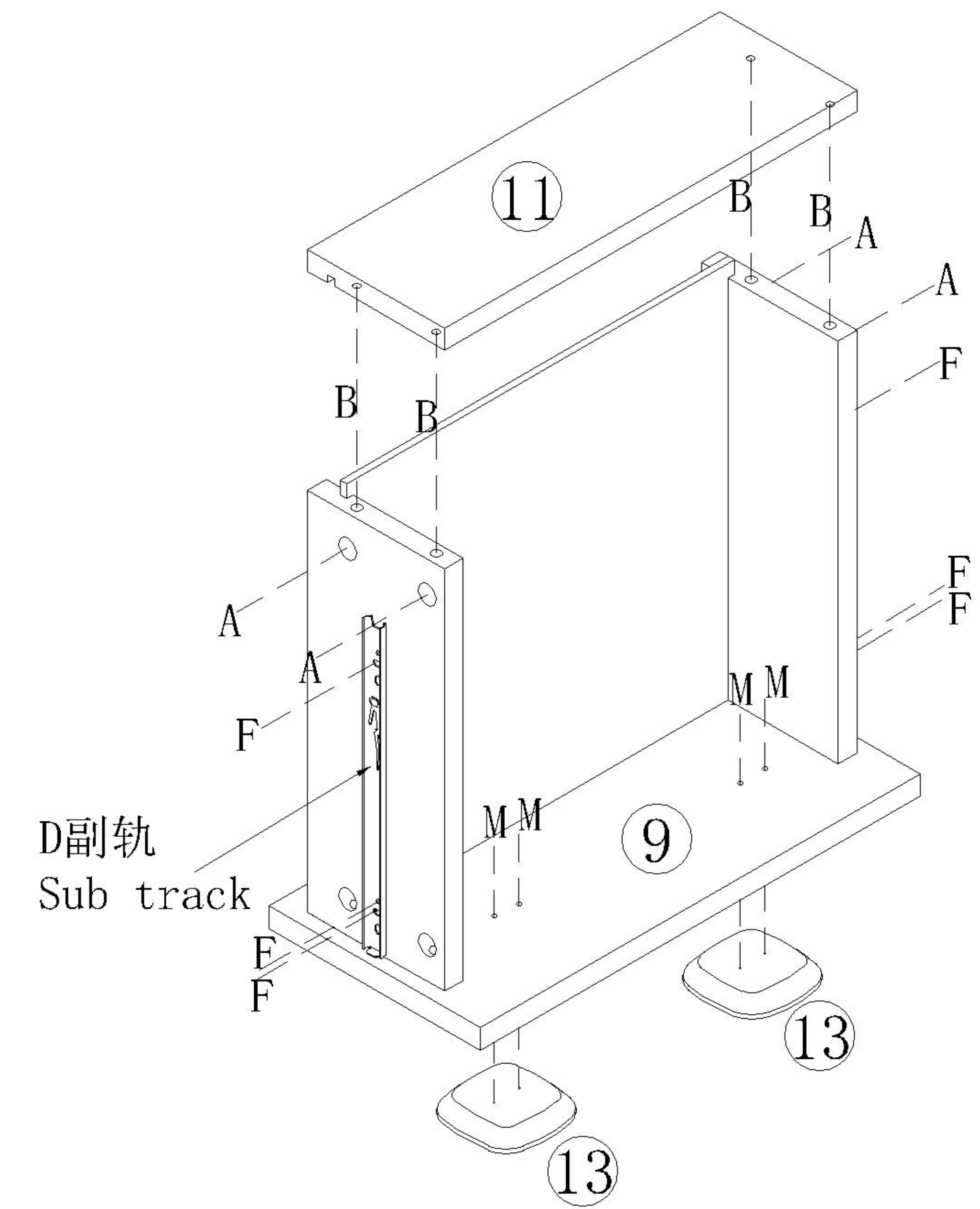
二合一 two-in-one

- (A)*4
- (B)*4



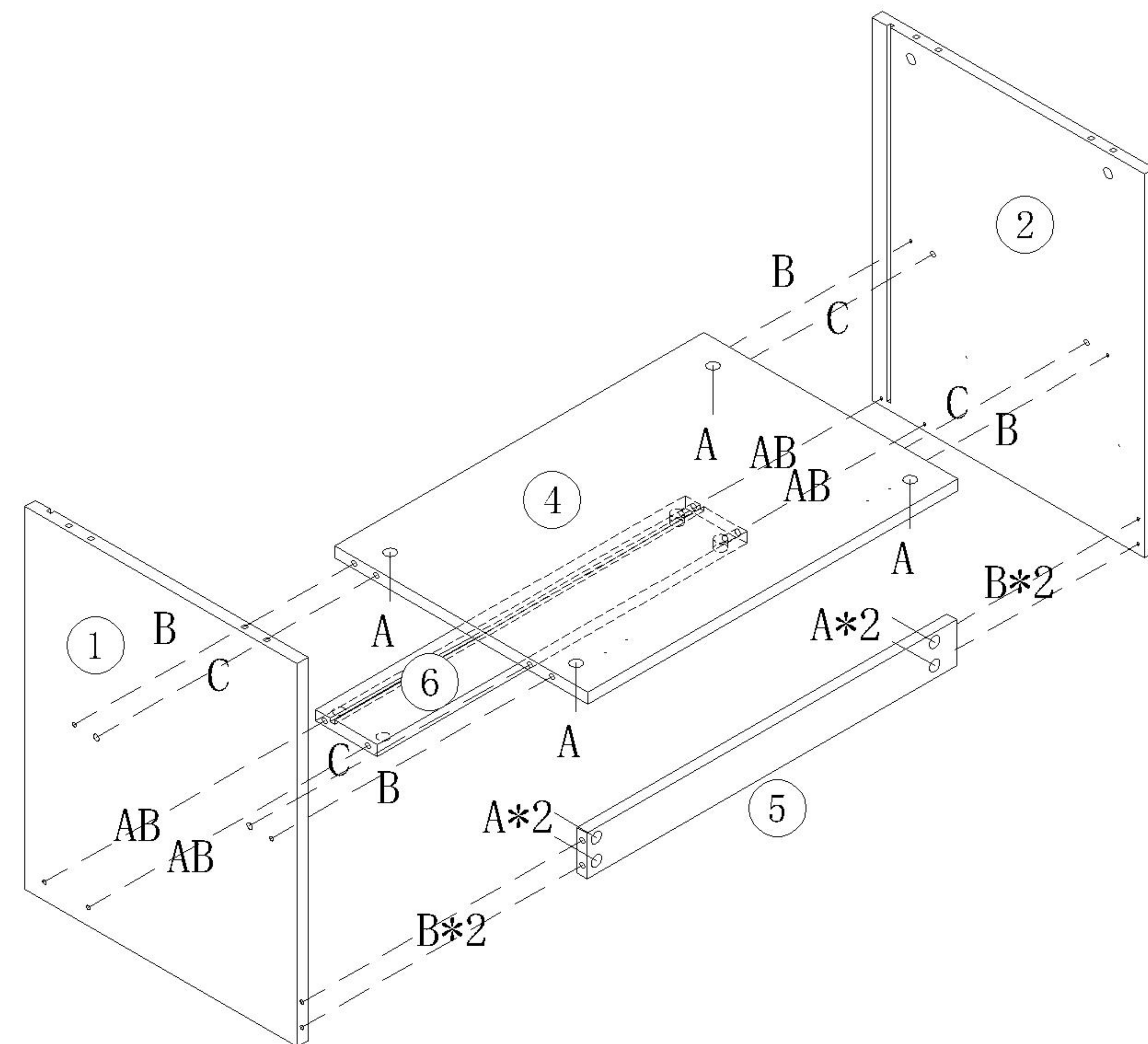
1

- (A)*4
- (B)*4
- (D)*1
- (F)*6
- (M)*4



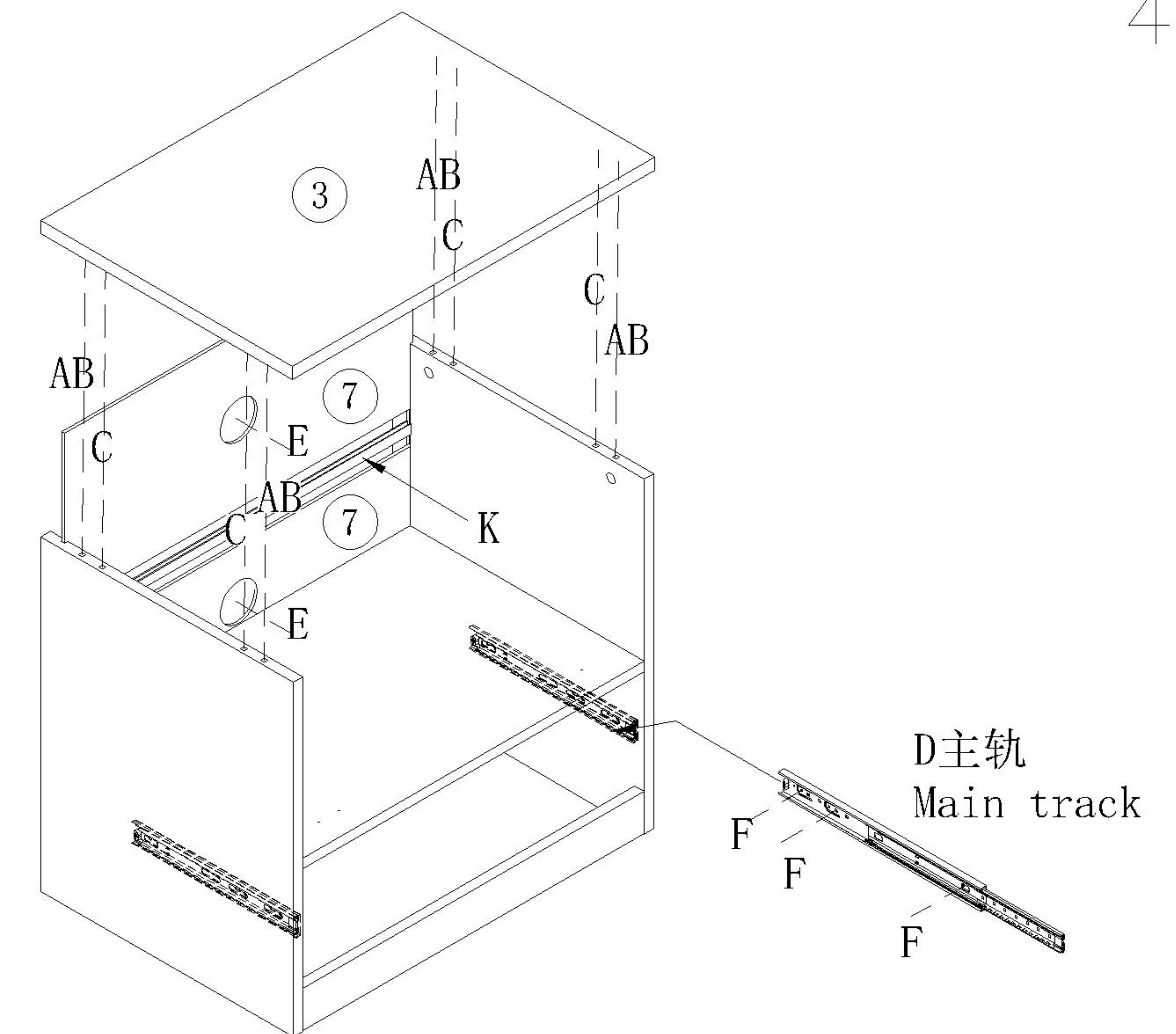
2

- (A)*12
- (B)*12
- (C)*4



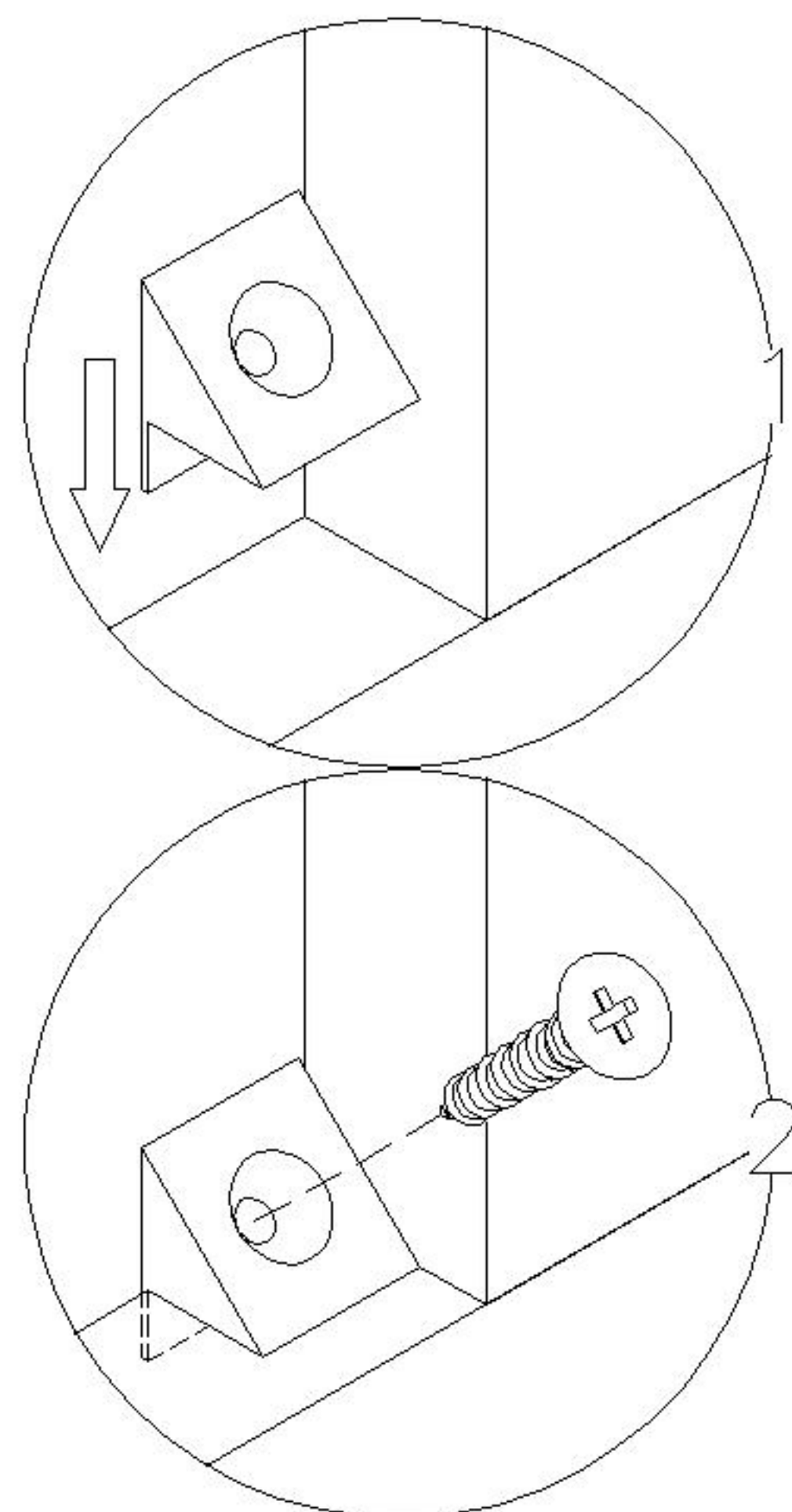
3

- (A)*4
- (B)*4
- (C)*4
- (D)*1
- (F)*6
- (E)*2
- (K)*1

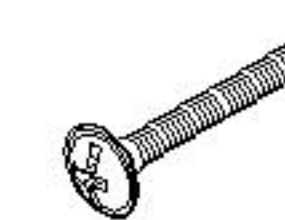


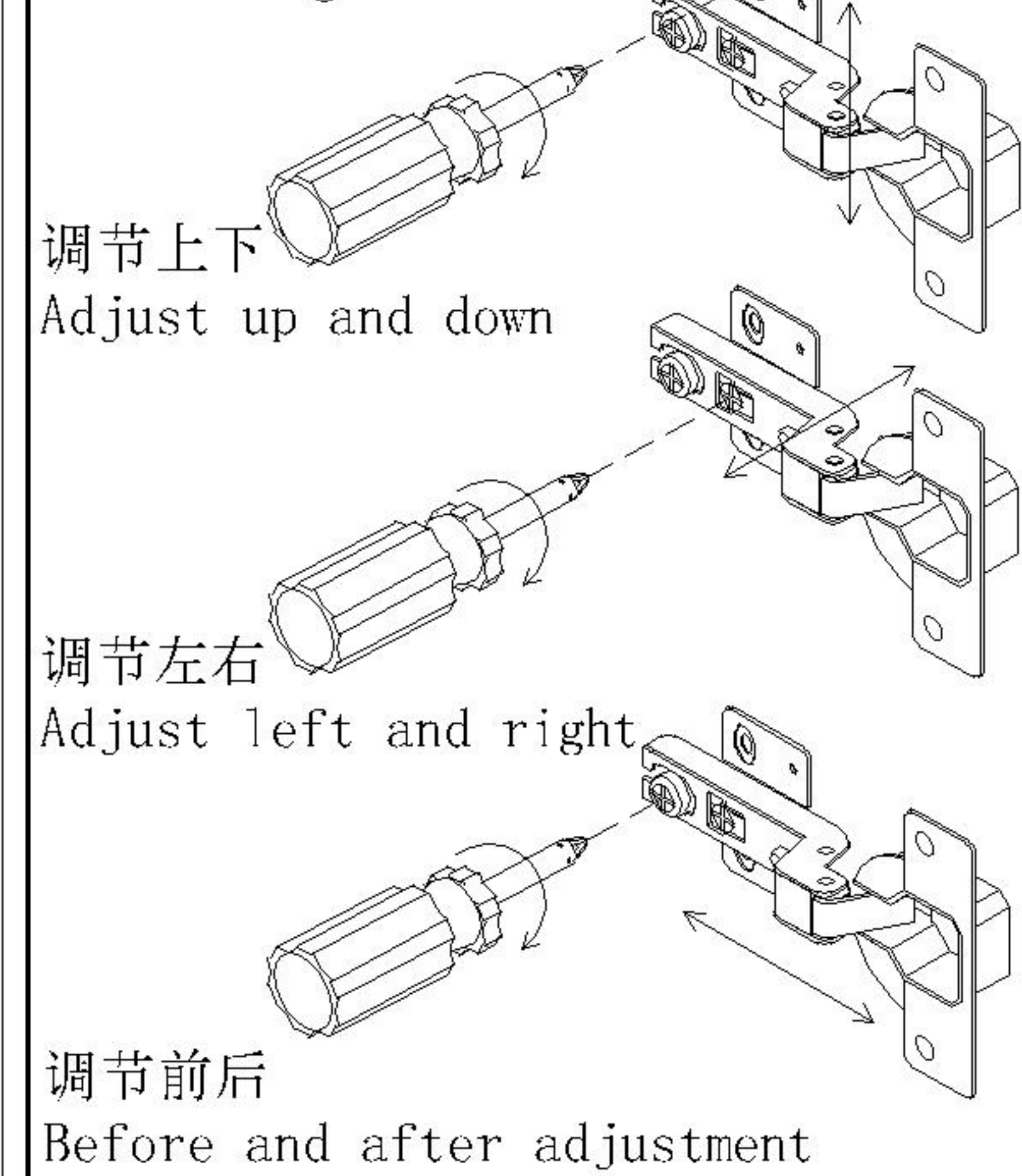
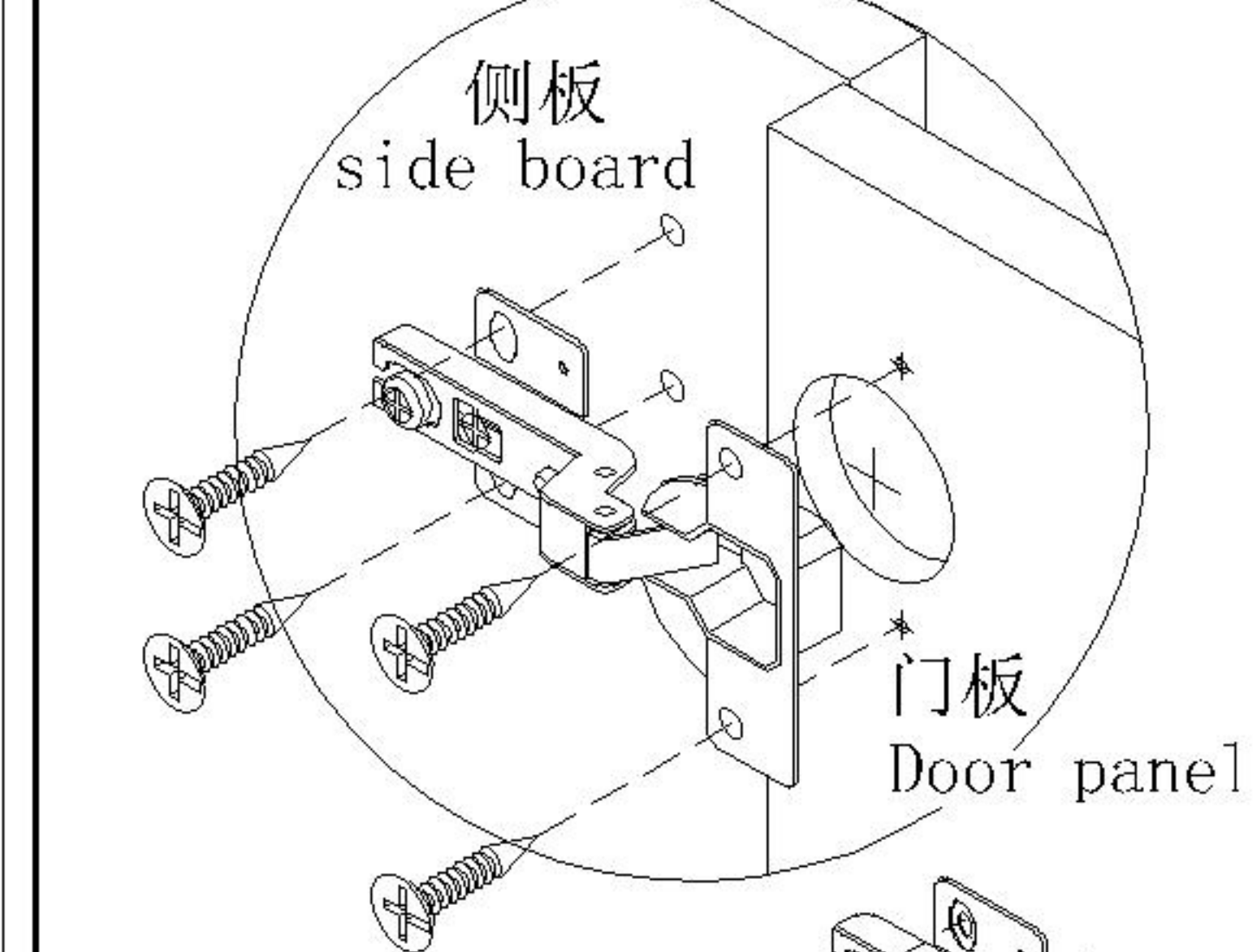
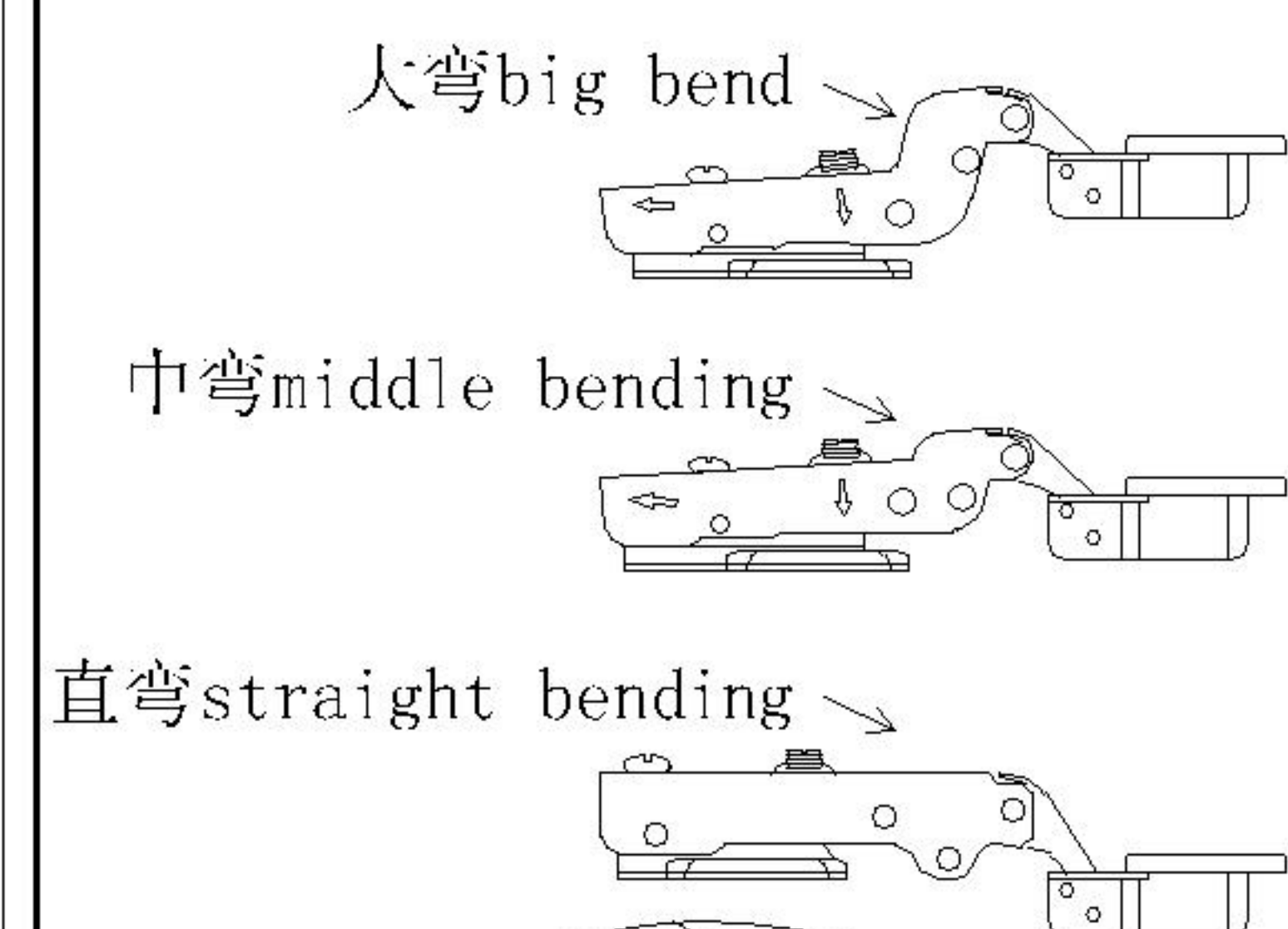
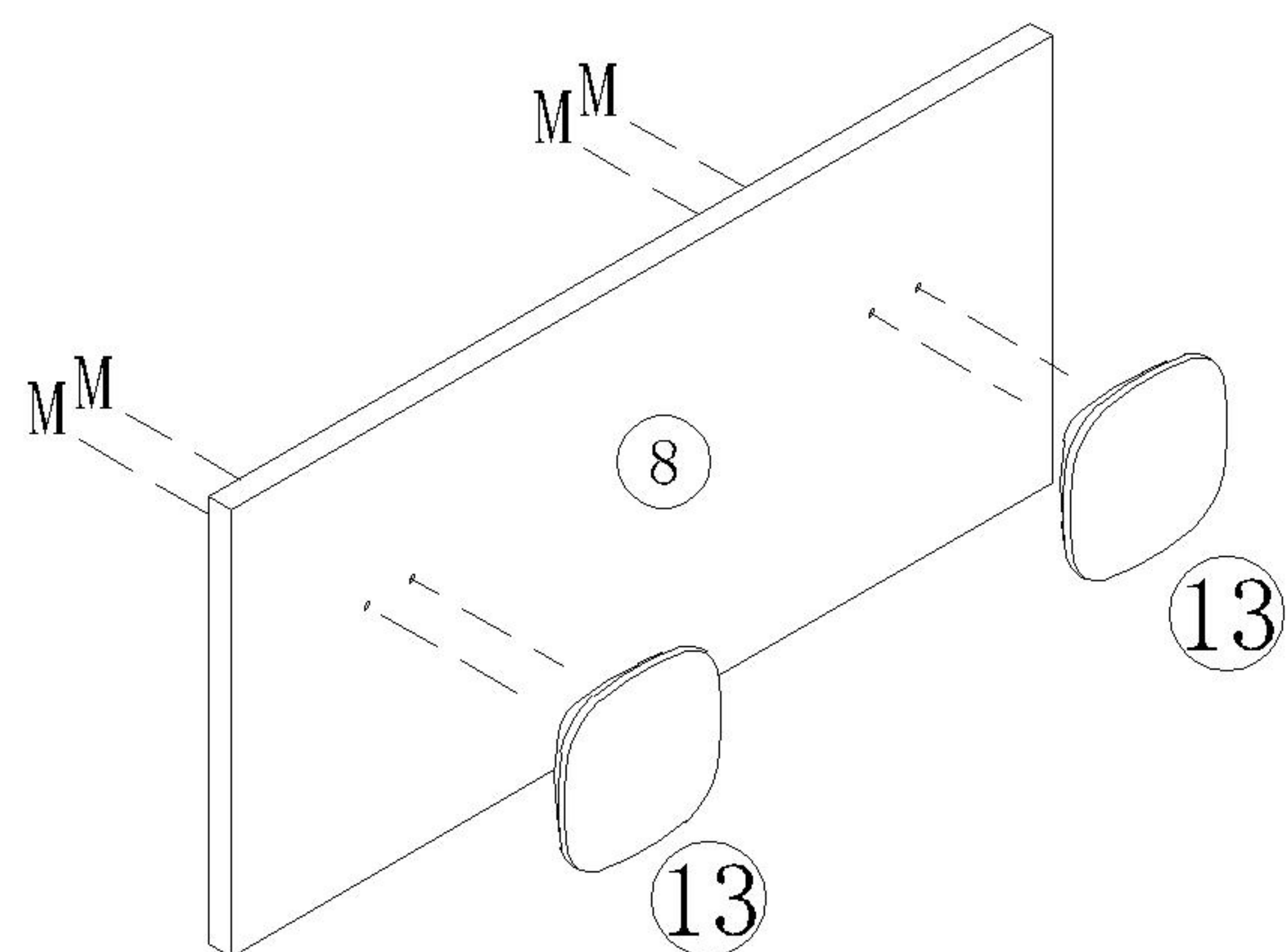
4

UN6E-A

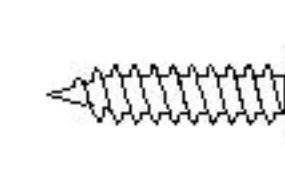
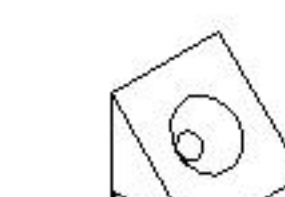



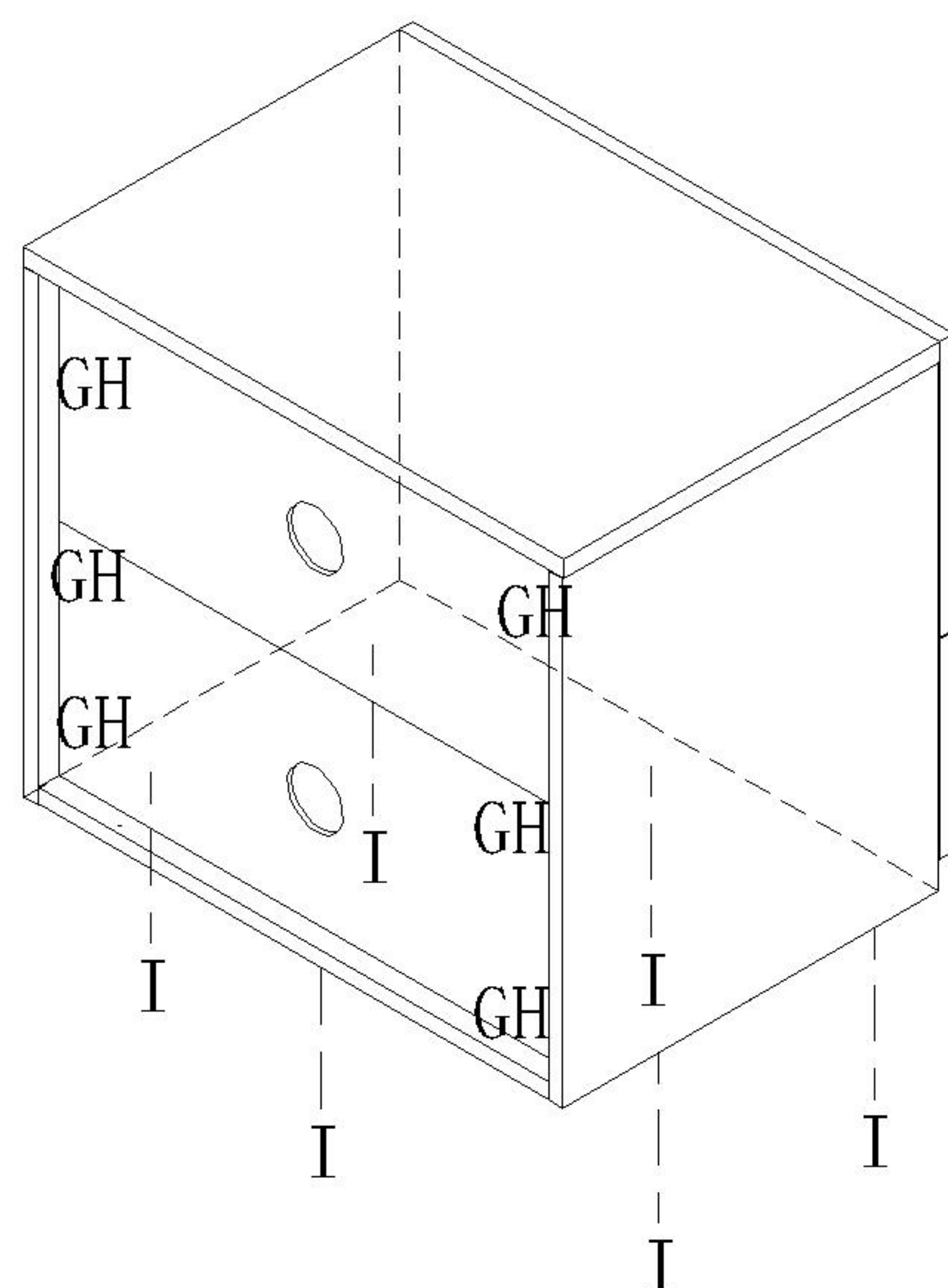
背板扣
Back Plate Buckle

 (M)*4



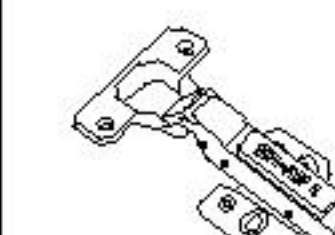
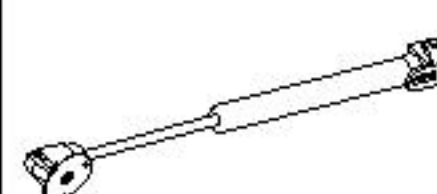
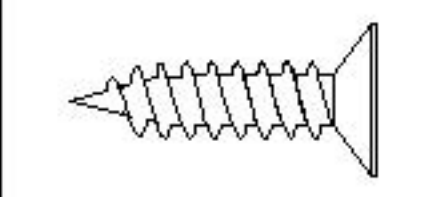
门铰 Hinge

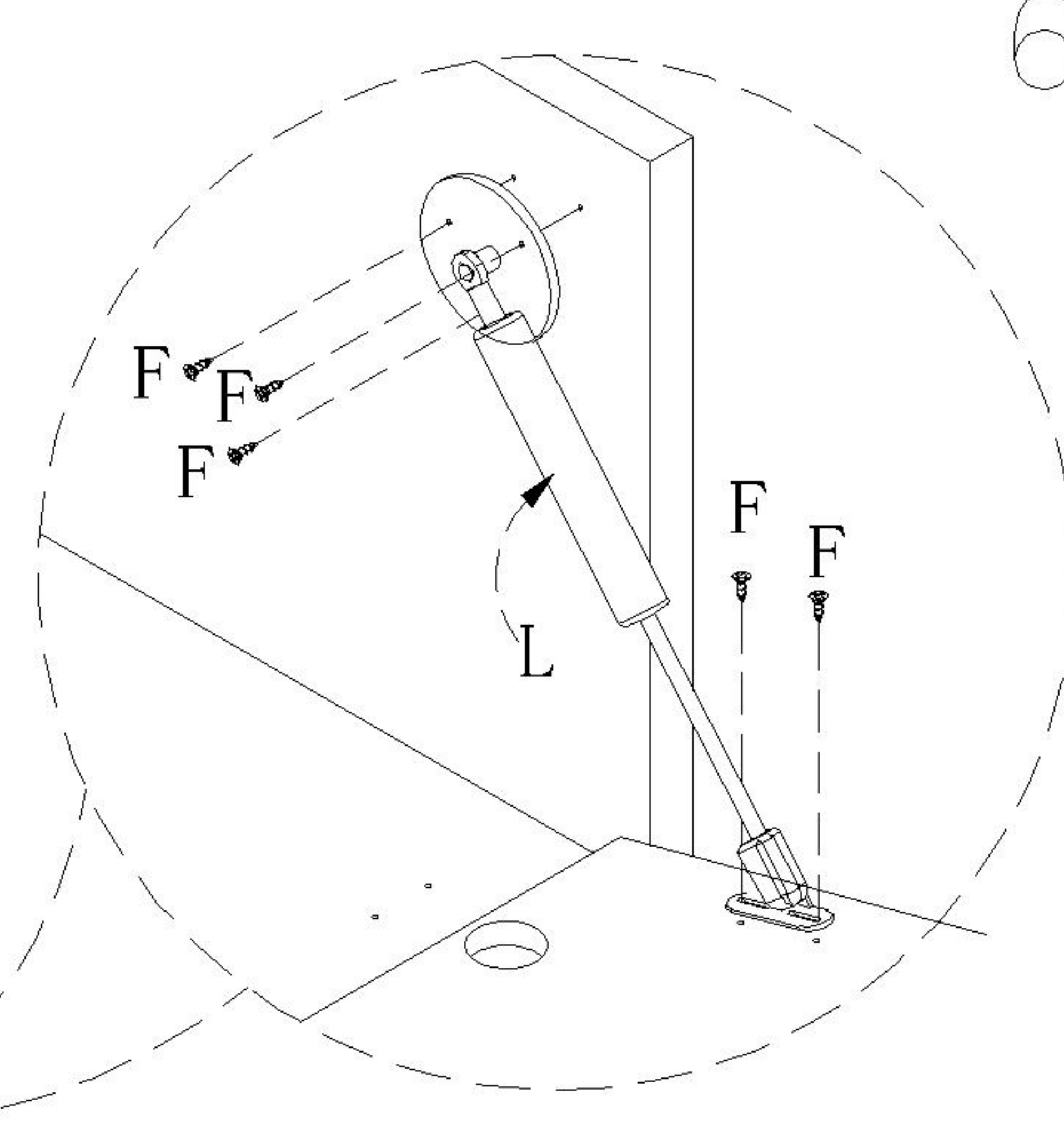
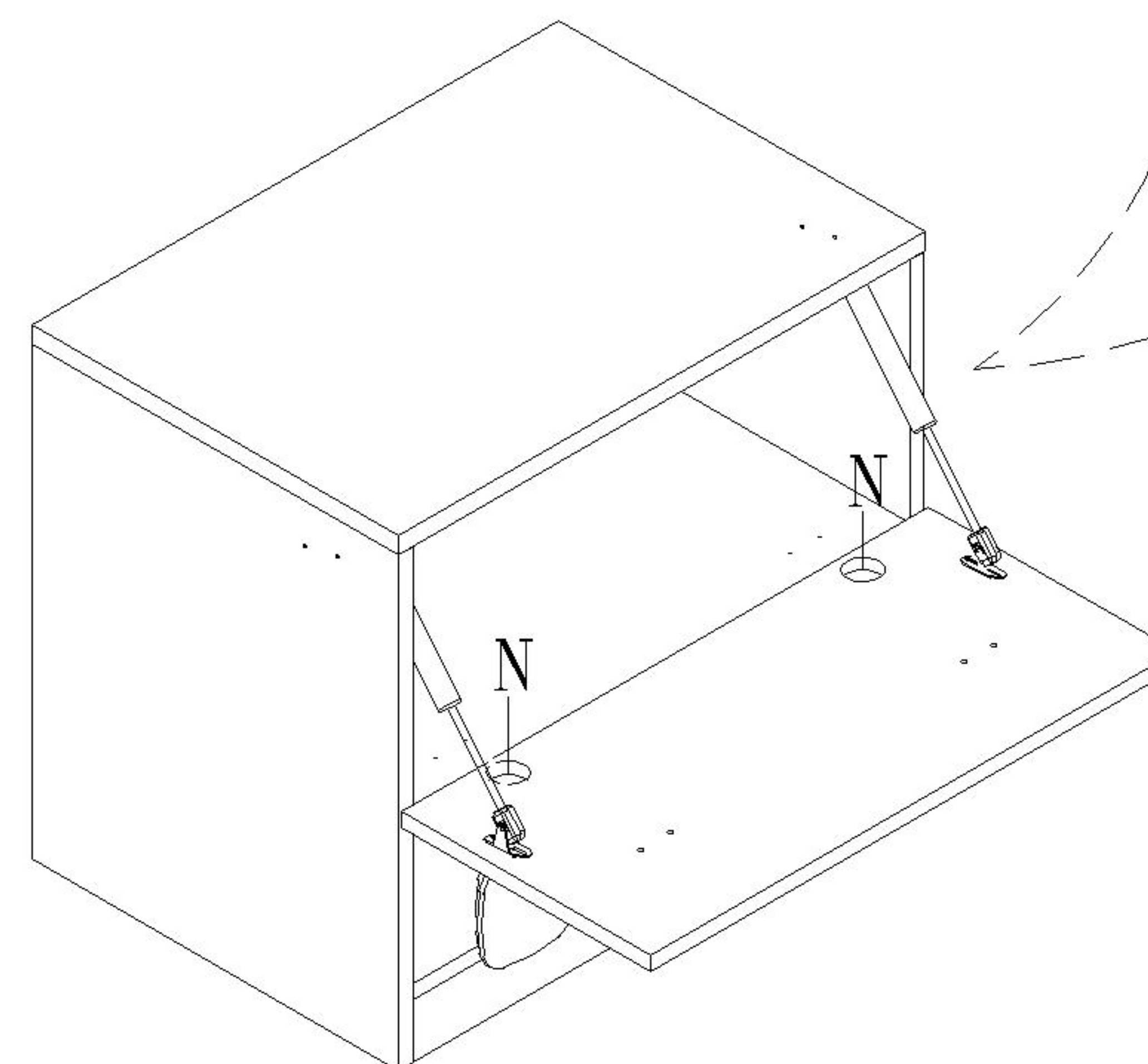
 (G)*6
 (H)*6
 (I)*6



注：组合上柜无需安装五金I
Note: There is no need to install hardware I
in the combination cabinet

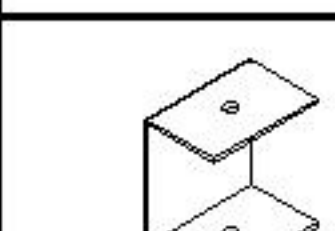
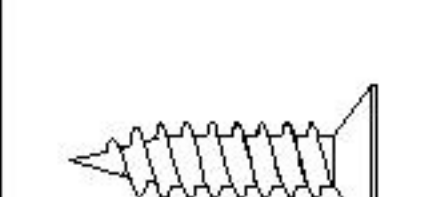
5

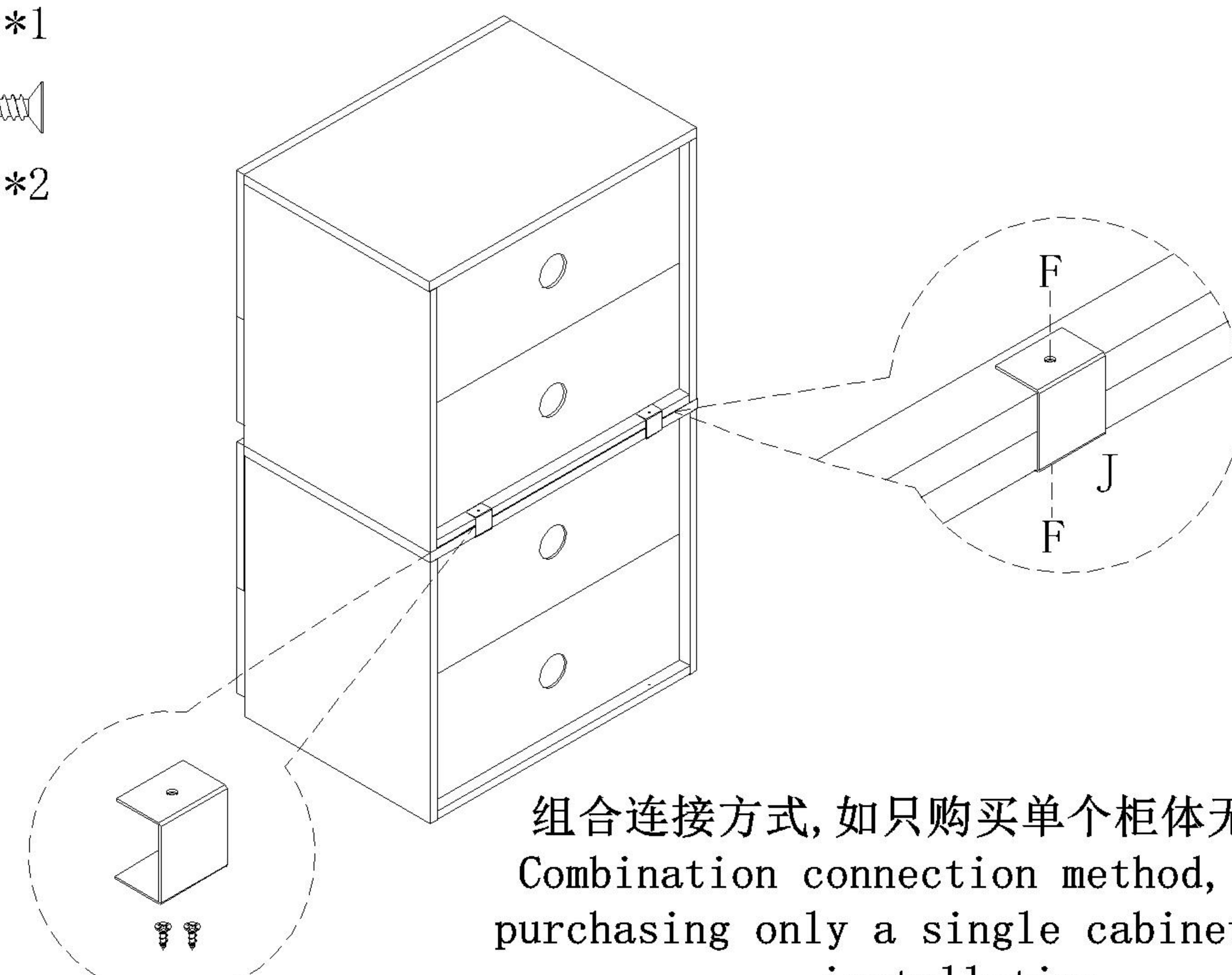
 (N)*2
 (L)*2
 (F)*10



6

7

 (J)*1
 (F)*2



组合柜自带
The combination
cabinet comes with it

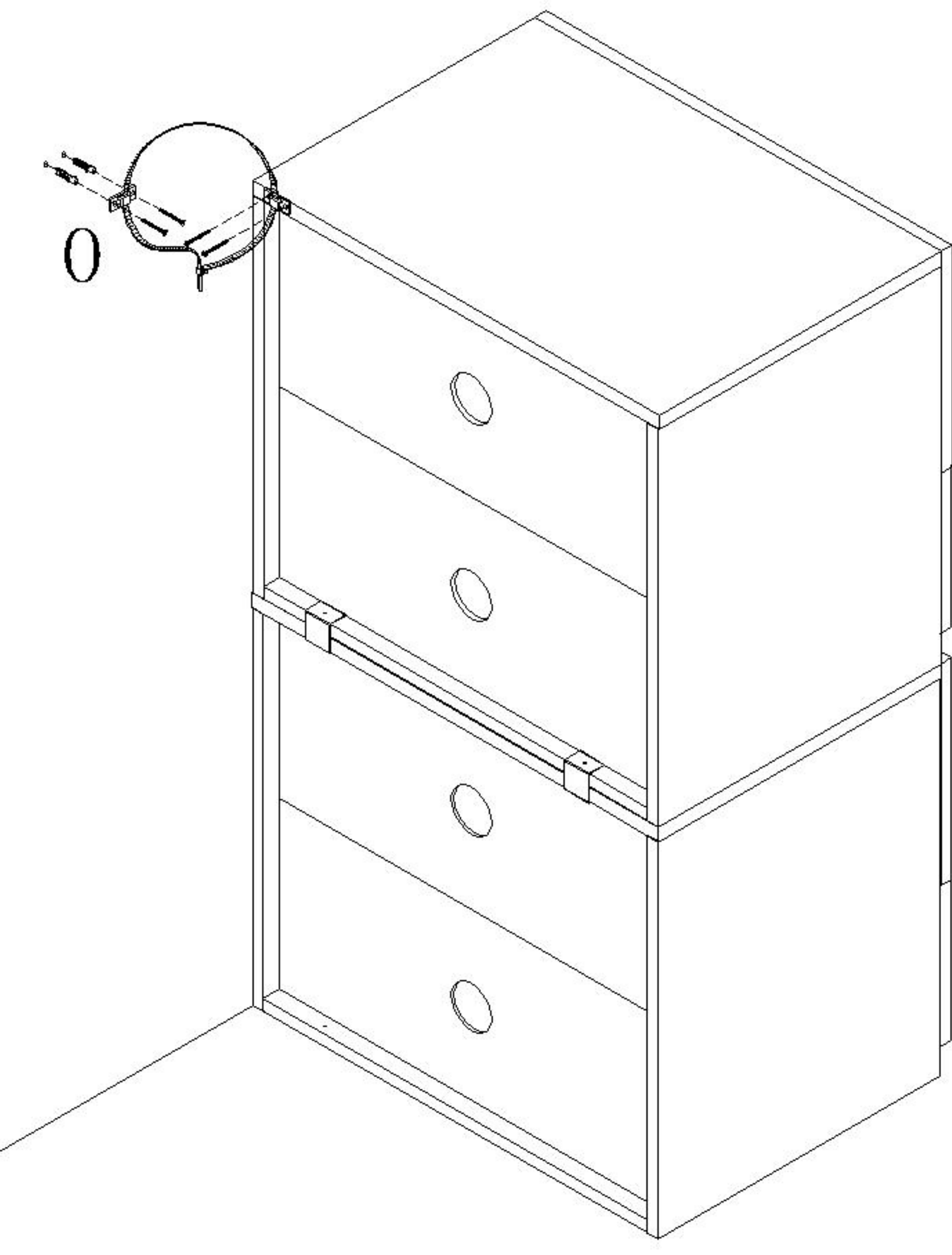
组合连接方式, 如只购买单个柜体无需安装
Combination connection method, such as
purchasing only a single cabinet without
installation

8

(0)*1

柜子组合高度超600MM需安装上防倒器
Cabinet combination height exceeding
600MM requires installation of an
anti fall device

实体墙
Solid wall



0处放大图
Enlarge figure

