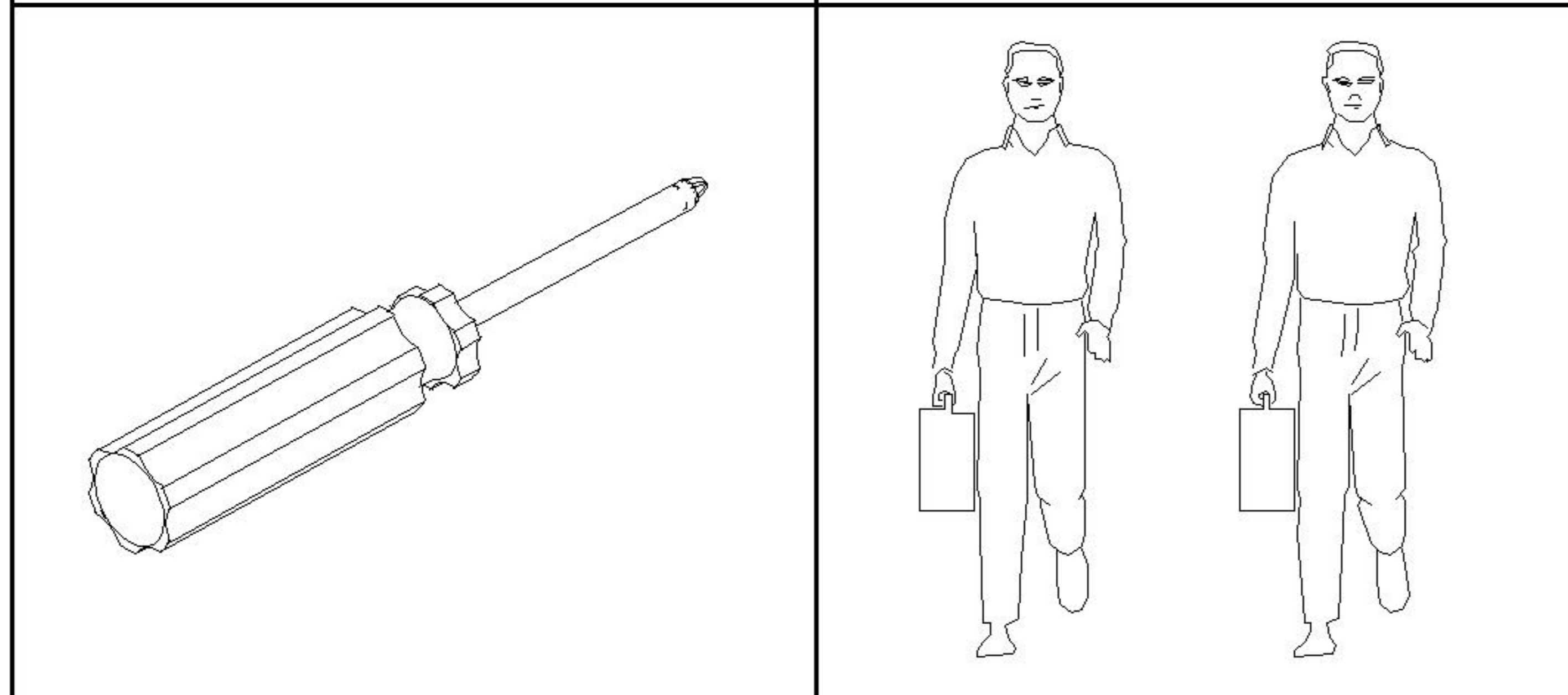
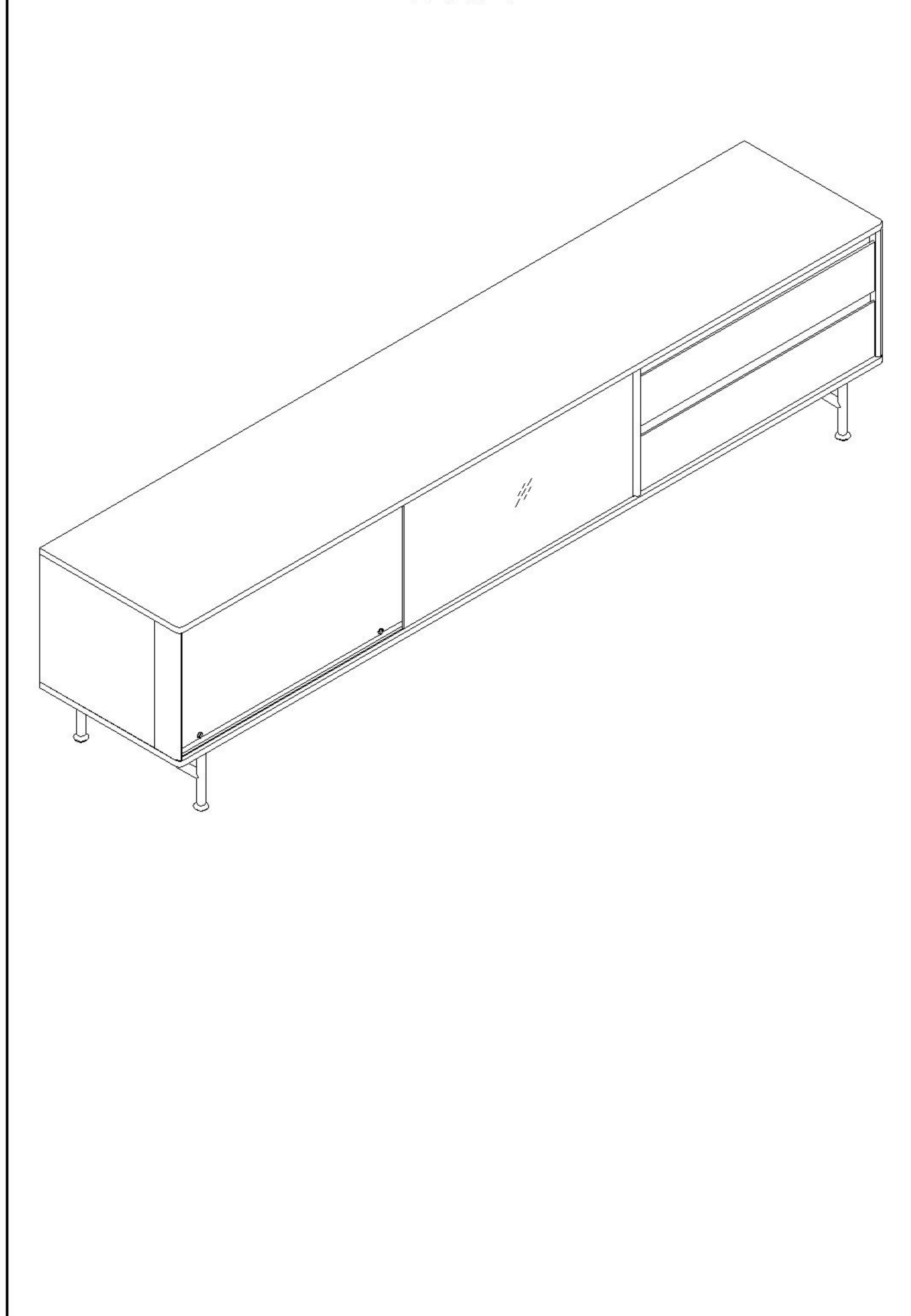


安装示意图/Assembly Instruction

产品名称 Model NO.	电视柜
产品型号 Product Model	UM2M-A 2m
尺寸规格 Specification	(2000*398*500)mm
安装工具 Tool	安装人数 Installer

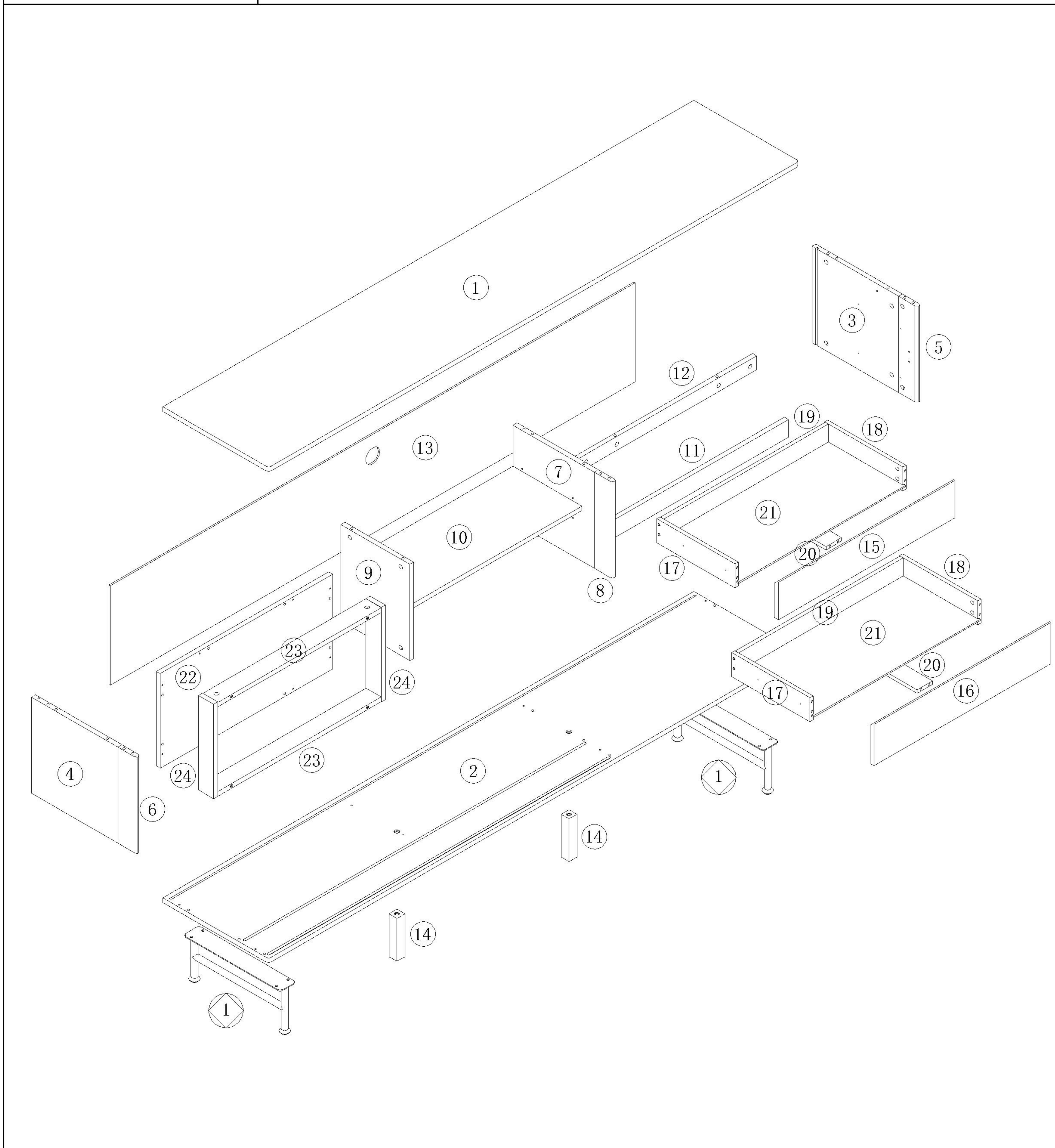


注：为保证设计效果，部分尺寸为定制尺寸，不影响使用。



(A)* 4 层板托 shelf support	(B)* 36 二合一螺杆 2-in-1-screw	(C)* 36 大三合一锁饼 Three-in-one large lock	(D)* 34 木榫08x30mm wood tenon	(E)* 13 小二合一杆 small two-in-one rod	(F)* 13 小三合一锁饼 small three-in-one lock	(G)* 13 塑料螺母 Plastic Nut	(H)* 13 自攻螺丝M1x10mm Self-tapping screw
(I)* 8 背板扣 Back Plate Buckle-White	(J)* 8 自攻螺丝M3.5x16mm Self-tapping screw	(K)* 3 自攻螺丝M1x20mm Self-tapping screw	(L)* 8 自攻螺丝M1x30mm Self-tapping screw	(M)* 3 镜钉 Mirror nail	(N)* 12 自攻螺丝M3.5x12mm Self-tapping screw	(O)* 8 透明防撞垫片010x1.5 Transparent anti-collision gasket	(P)* 8 斜边十字螺杆-M6x12 bevel cross screw
(Q)* 2 斜边十字螺杆M8x35 bevel cross screw	(R)* 2 调节脚 Adjusting foot	(S)* 3 透明塑料垫片 PVC rubber plug	(T)* 1 穿线孔盖 Threading cover	(U)* 2 趟门轮 Gate wheel	(V)* 1 抽面亚克力 Pull face acrylic	(W)* 4 手拧螺丝 Hand screw bolt	(X)* 1 门板玻璃 Door panel glass
(Y)* 1 门板亚克力 Door panel acrylic	(Z)* 2 三节滚珠导轨-10" three-section ball rail						

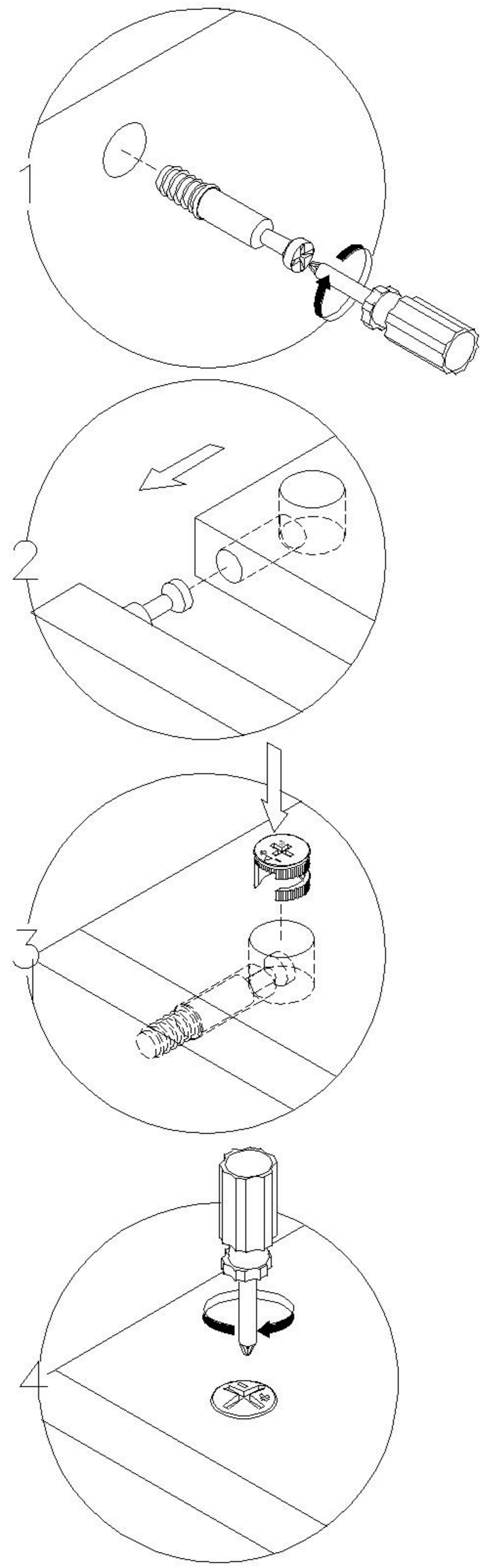
UM2M-A 2m	部件表/Parts List					部件表/Parts List				
安装方法/ Installation method	编号NO.	名称Name	规格 (mm) Specification	数量QTY	材质Material	编号NO.	名称Name	规格 (mm) Specification	数量QTY	材质Material
		UM2M-A 2m电视柜柜体 UM2M-A A 2m TV cabinet cabinet					UM2M-A 电视柜五金 UM2M-A TV Cabinet hardware			
	①	面板Top panel	2000*398*15	1	刨花板 Particle board	①	脚架bipod	371*60*156	2	不锈钢Stainless Steel
	②	底板Bottom board	2000*398*15	1	刨花板 Particle board					
	③	右侧板Side board(R)	314*326*15	1	刨花板 Particle board					
	④	左侧板Side board(L)	314*326*15	1	刨花板 Particle board					
	⑤	右侧柱Side column(R)	314*70*15	1	橡胶木 Rubber wood					
	⑥	左侧柱Side column(L)	314*70*15	1	橡胶木 Rubber wood					
	⑦	右中侧板Middle side board(R)	314*306*15	1	刨花板 Particle board					
	⑧	中侧柱Center side column	314*70*15	1	橡胶木 Rubber wood					
	⑨	左中侧板Middle side board(L)	314*260*15	1	刨花板 Particle board					
	⑩	活动层板Movable shelf	633*259*15	1	刨花板 Particle board					
	⑪	右拉条Brace (R)	670*58*15	1	刨花板 Particle board					
	⑫	上拉条Top brace	670*45*15	1	刨花板 Particle board					
	⑬	背板Back board	1978*324*5	1	纤维板 Fiberboard					
	⑭	中脚Middle foot	140*30*30	2	橡胶木 Rubber wood					
	⑮	上抽屉面板Upper drawer's panel	666*122*15	1	刨花板 Particle board					
	⑯	下抽屉面板Bottom drawer's panel	666*135*15	1	刨花板 Particle board					
	⑰	抽屉左侧板Drawer's side board(L)	295*78*12	2	刨花板 Particle board					
	⑱	抽屉右侧板Drawer's side board(R)	295*78*12	2	刨花板 Particle board					
	⑲	抽屉后板Drawer's Back board	620*78*12	2	刨花板 Particle board					
	⑳	抽屉底托条Drawer's bottom bracket	281*58*12	2	刨花板 Particle board					
	㉑	抽屉底板Drawer's Bottom board	630*291*5	2	纤维板 Fiberboard					
	㉒	小背板Small back board	649*308*15	1	刨花板 Particle board					
	㉓	下横档Lower rung	617*58*15	2	刨花板 Particle board					
	㉔	右档板Baffle(R)	308*58*15	2	刨花板 Particle board					



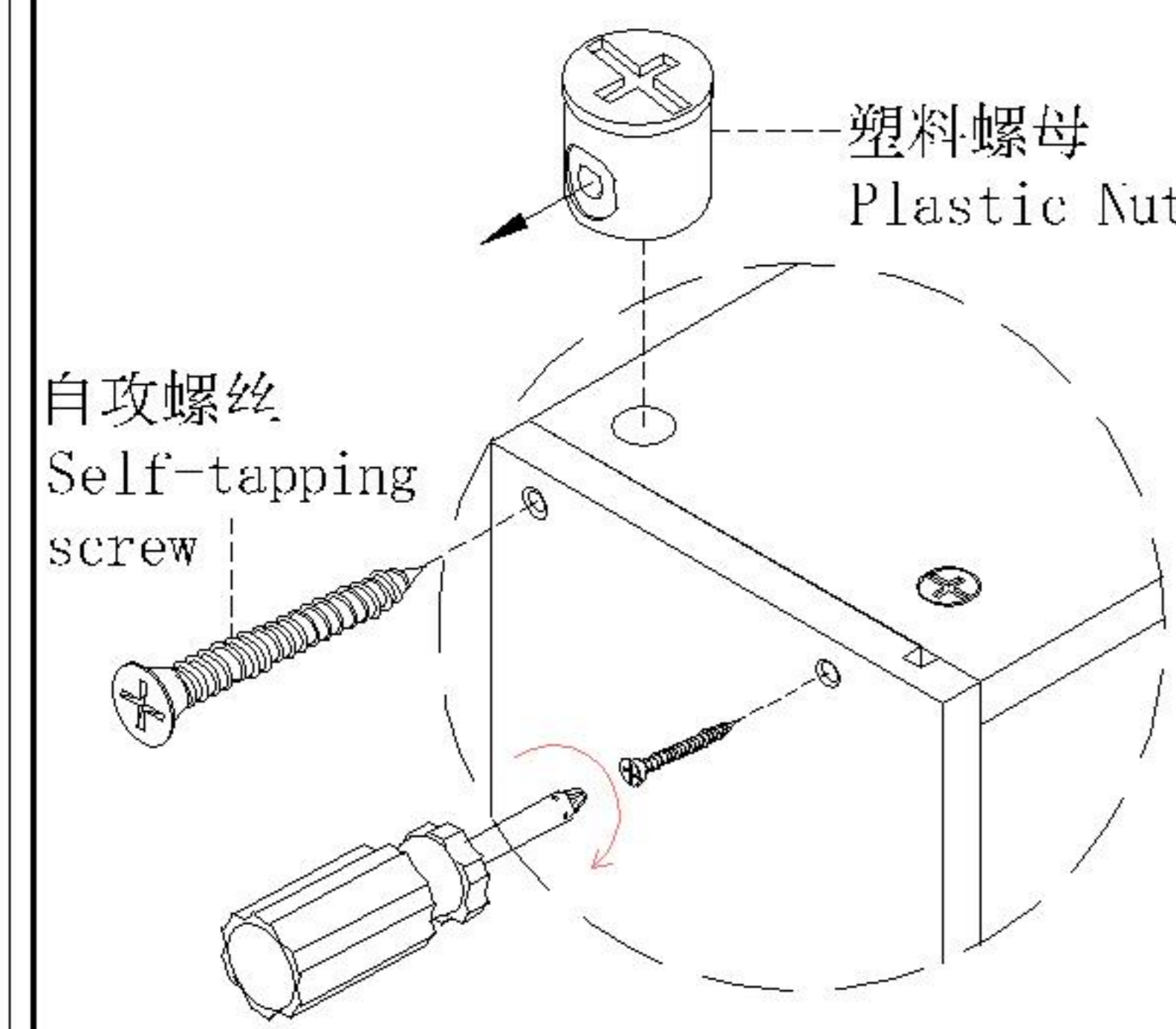
编号NO.	名称Name	编号NO.	名称Name
UM2M-A 2m电视柜柜体		UM2M-A 电视柜五金	
①	面板Top panel	①	脚架bipod
②	底板Bottom board		
③	右侧板Side board(R)		
④	左侧板Side board(L)		
⑤	右侧柱Side column(R)		
⑥	左侧柱Side column(L)		
⑦	右中侧板Middle side board(R)		
⑧	中侧柱Center side column		
⑨	左中侧板Middle side board(L)		
⑩	活动层板Movable shelf		
⑪	右拉条Brace (R)		
⑫	上拉条Top brace		
⑬	背板Back board		
⑭	中脚Middle foot		
⑮	上抽屉面板Upper drawer's panel		
⑯	下抽屉面板Bottom drawer's panel		
⑰	抽屉左侧板Drawer's side board (L)		
⑱	抽屉右侧板Drawer's side board (R)		
⑲	抽屉后板Drawer's Back board		
⑳	抽屉底托条Drawer's bottom bracket		
㉑	抽屉底板Drawer's Bottom board		
㉒	小背板Small back board		
㉓	下横档Lower rung		
㉔	右档板Baffle (R)		

UM2M-A 2m

安装方法/
Installation method



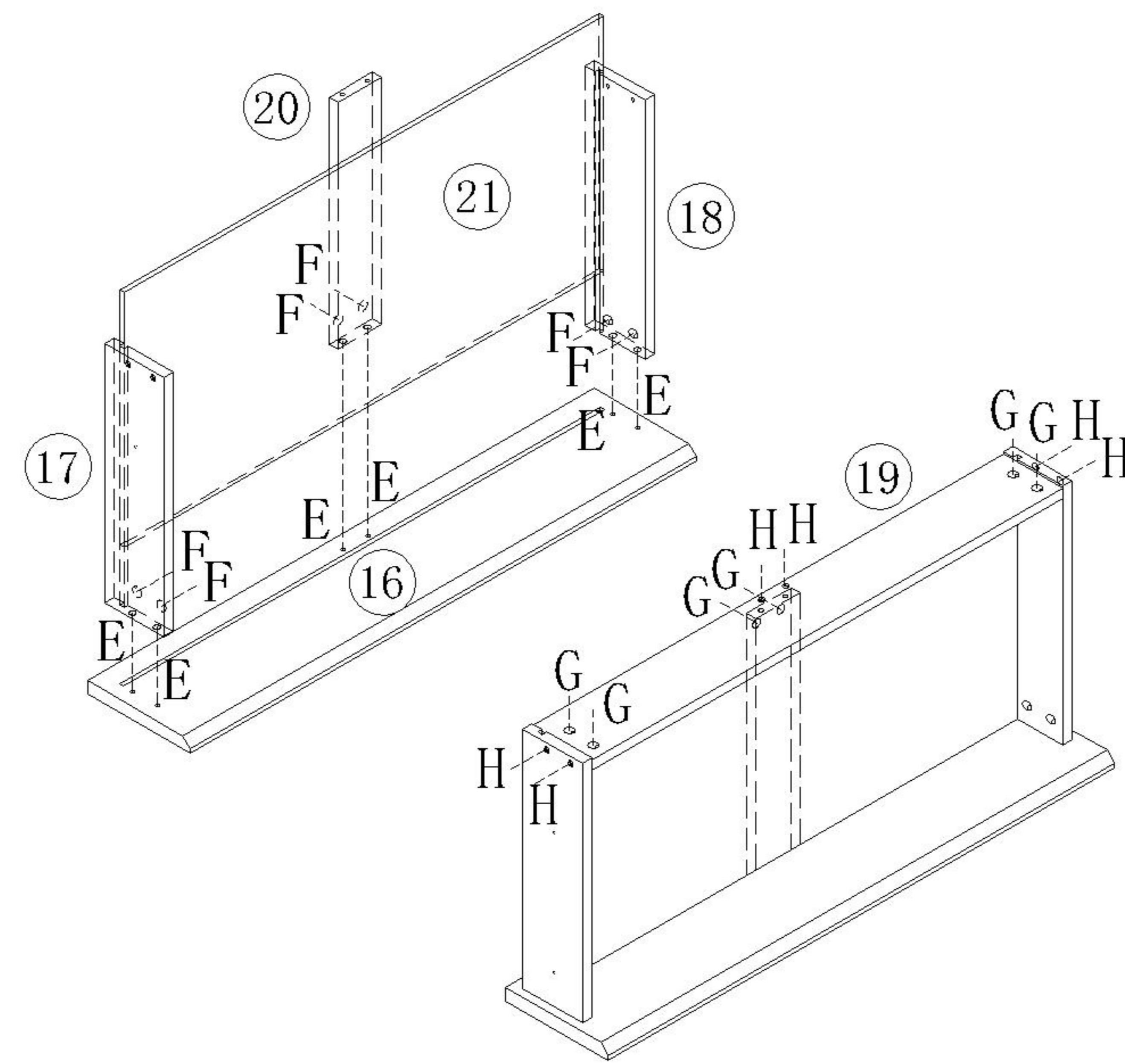
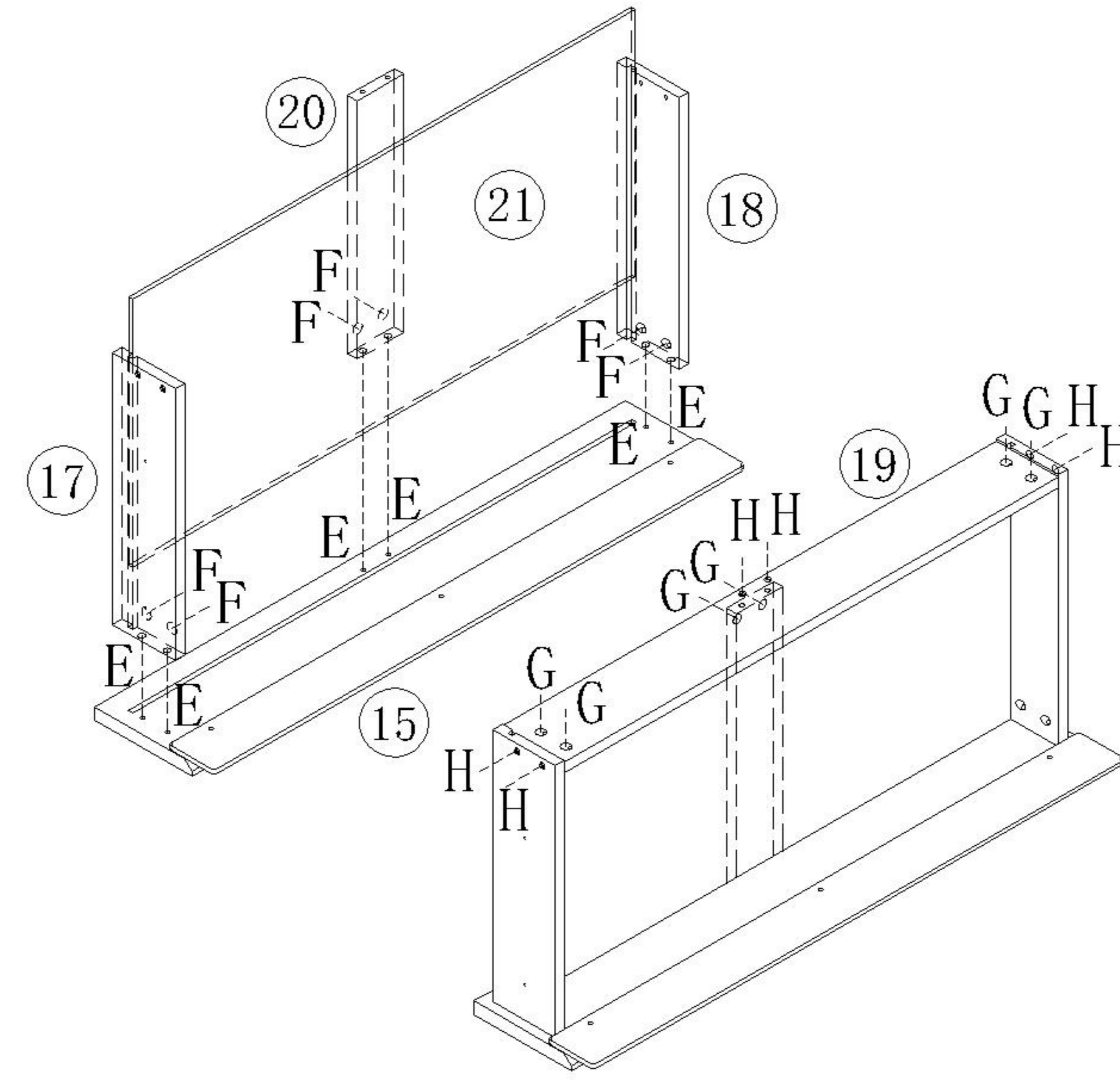
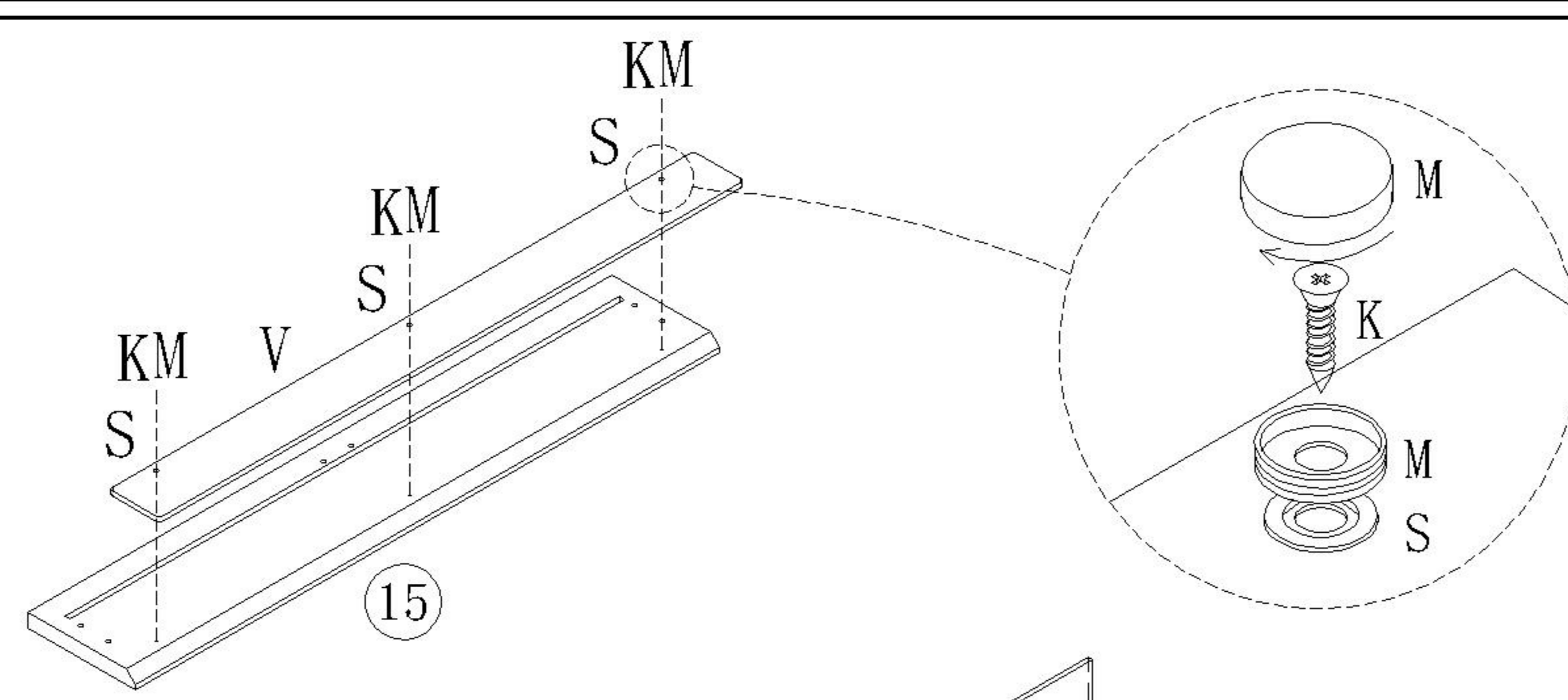
小二合一/two-in-one



塑料螺母
Plastic Nut

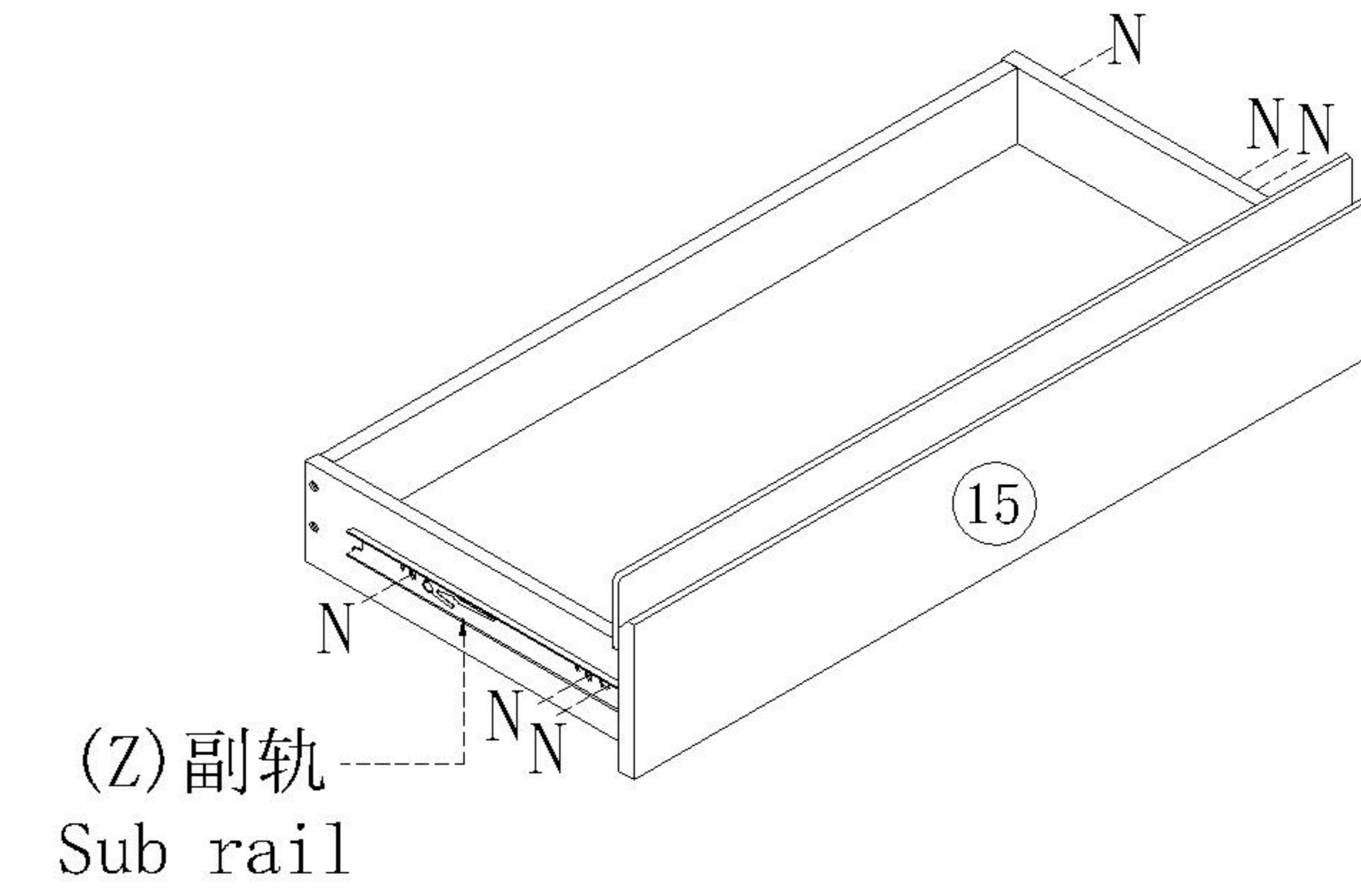
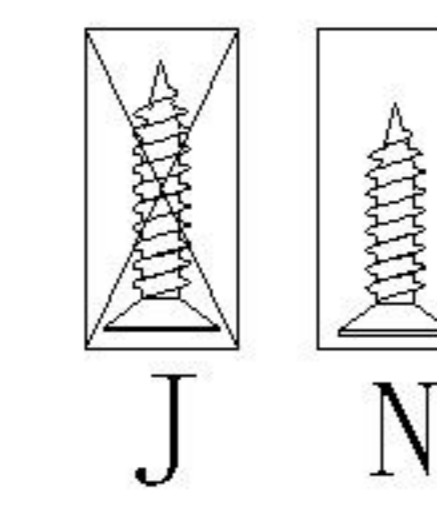
- (E)*6
- (F)*6
- (G)*6
- (H)*6
- (K)*3
- (M)*3
- (S)*3
- (V)*1

- (E)*6
- (F)*6
- (G)*6
- (H)*6



1

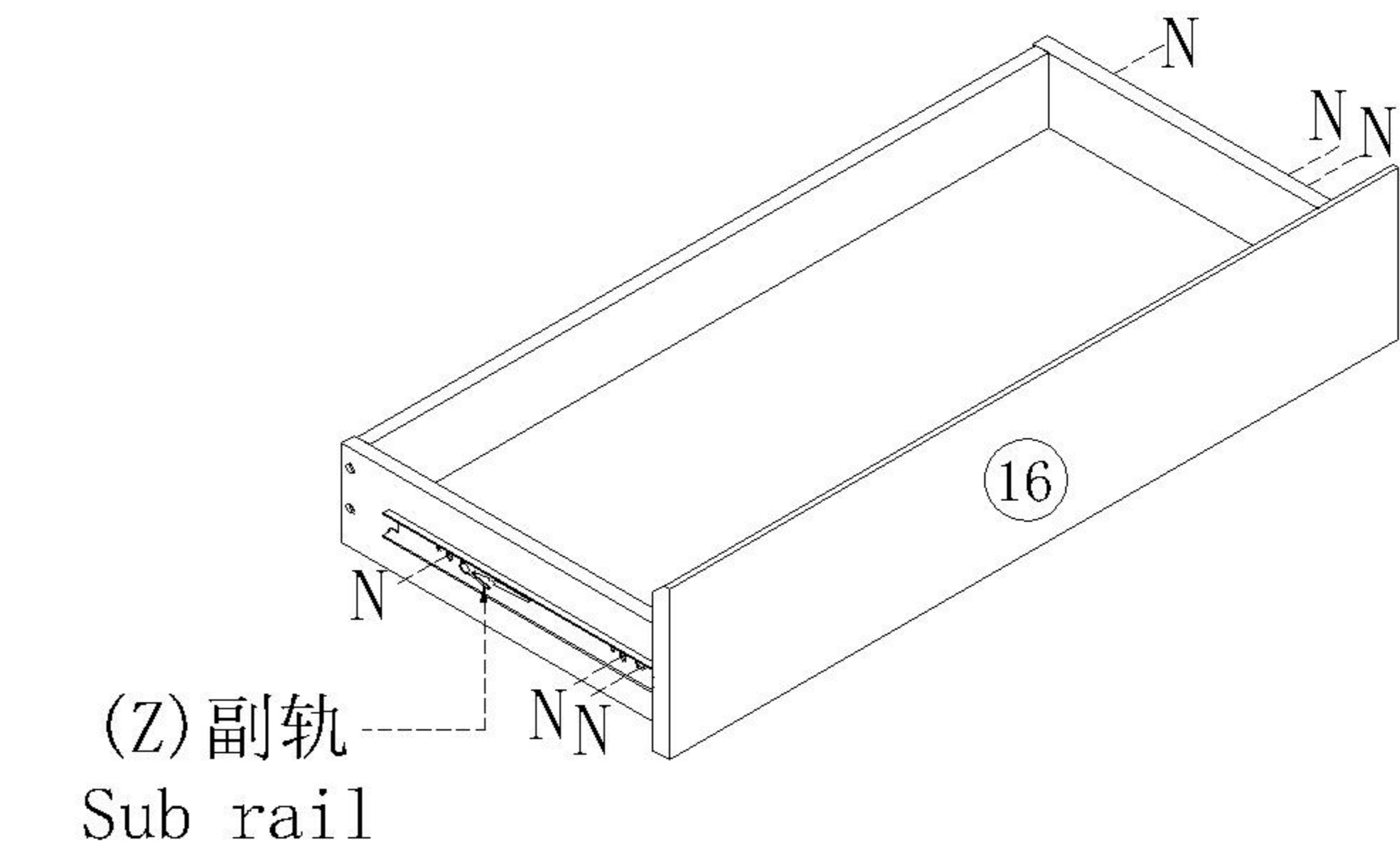
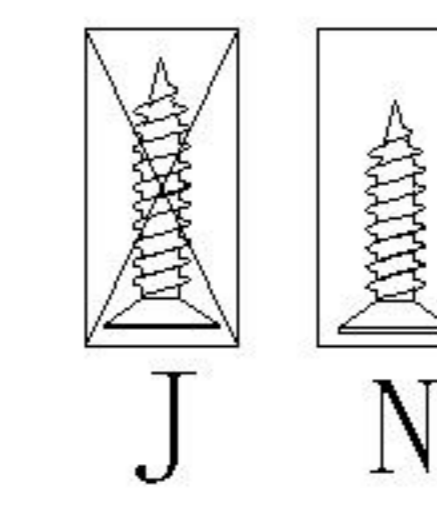
- (N)*6
- (Z)*1



2

3

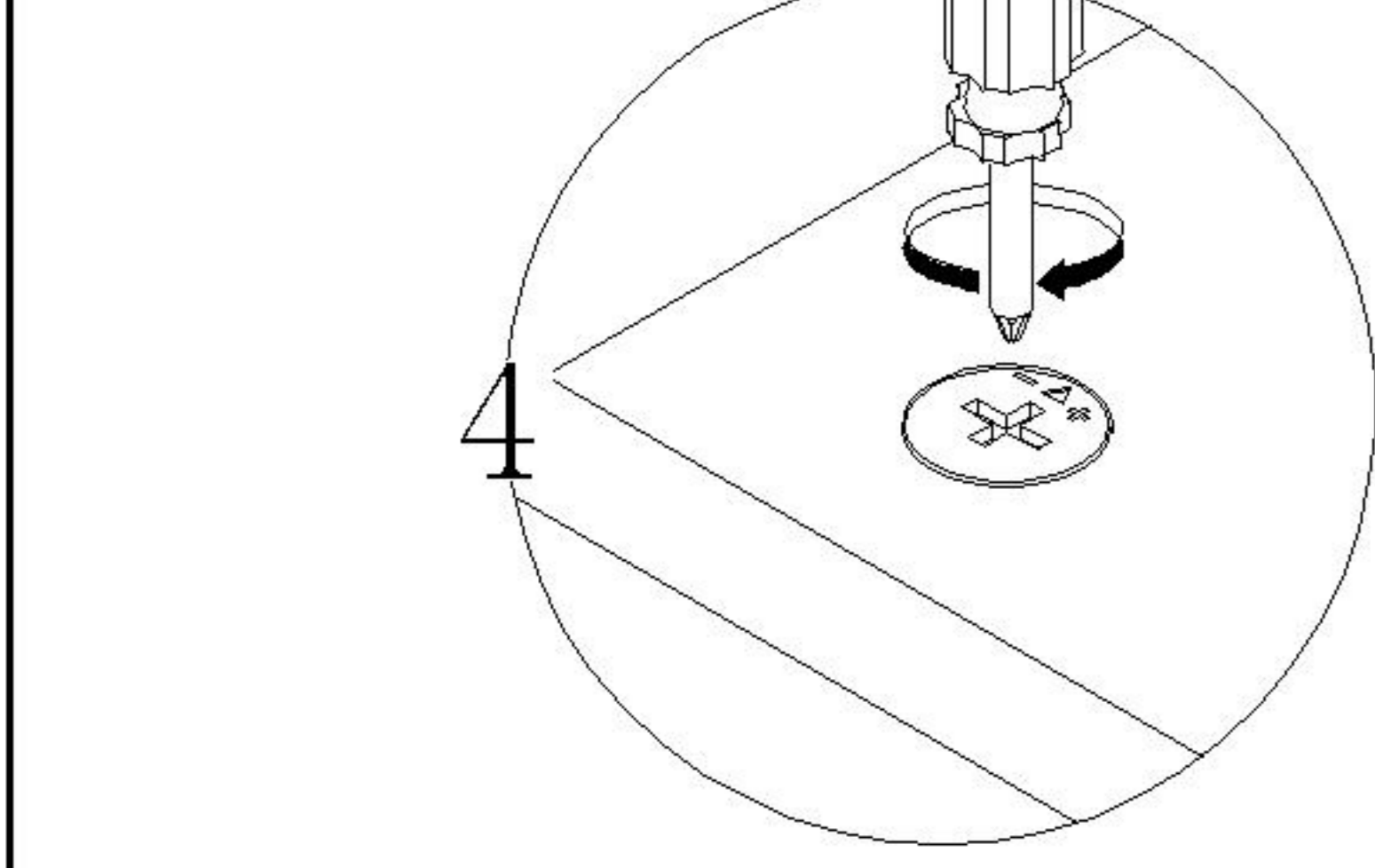
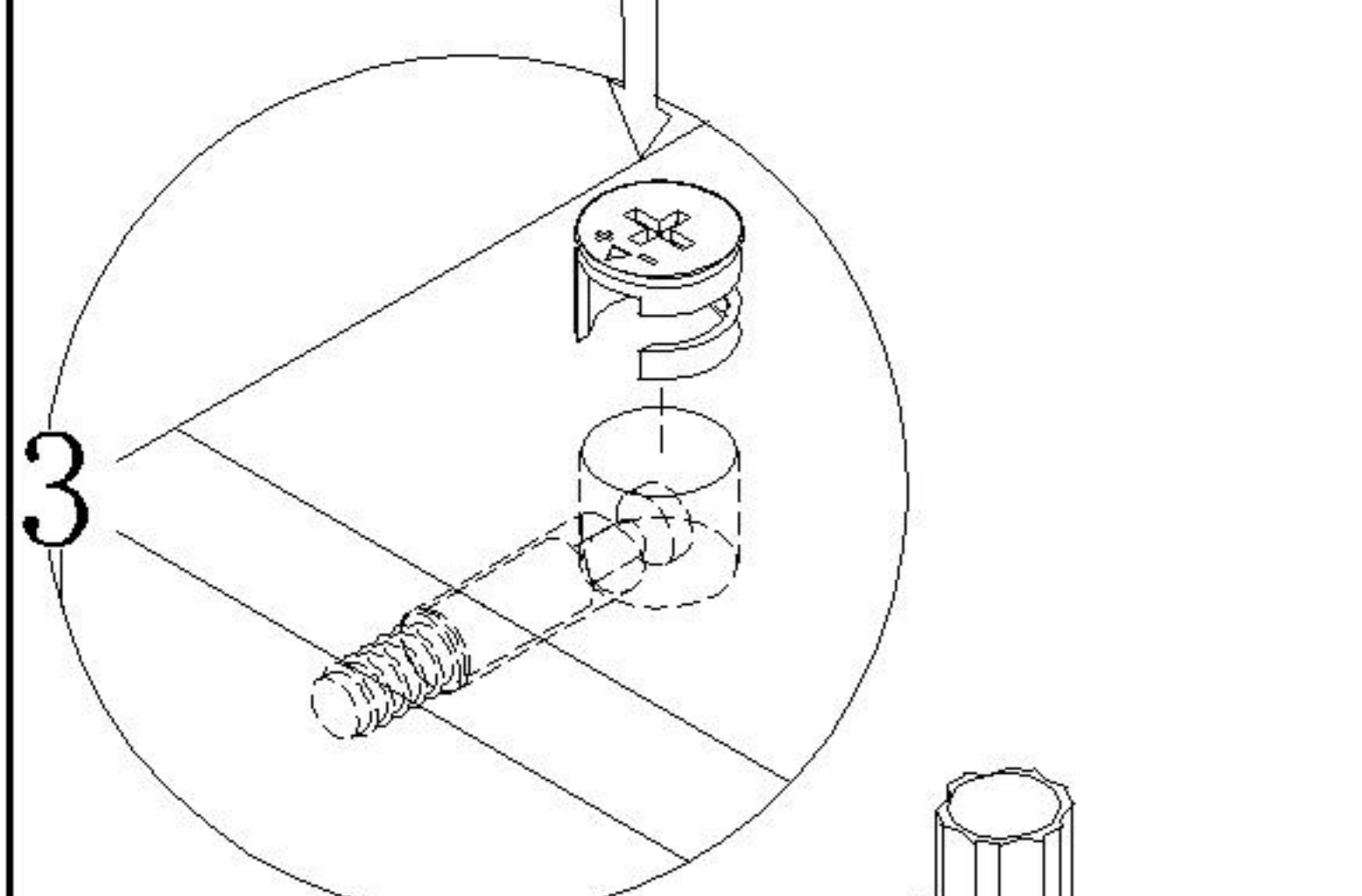
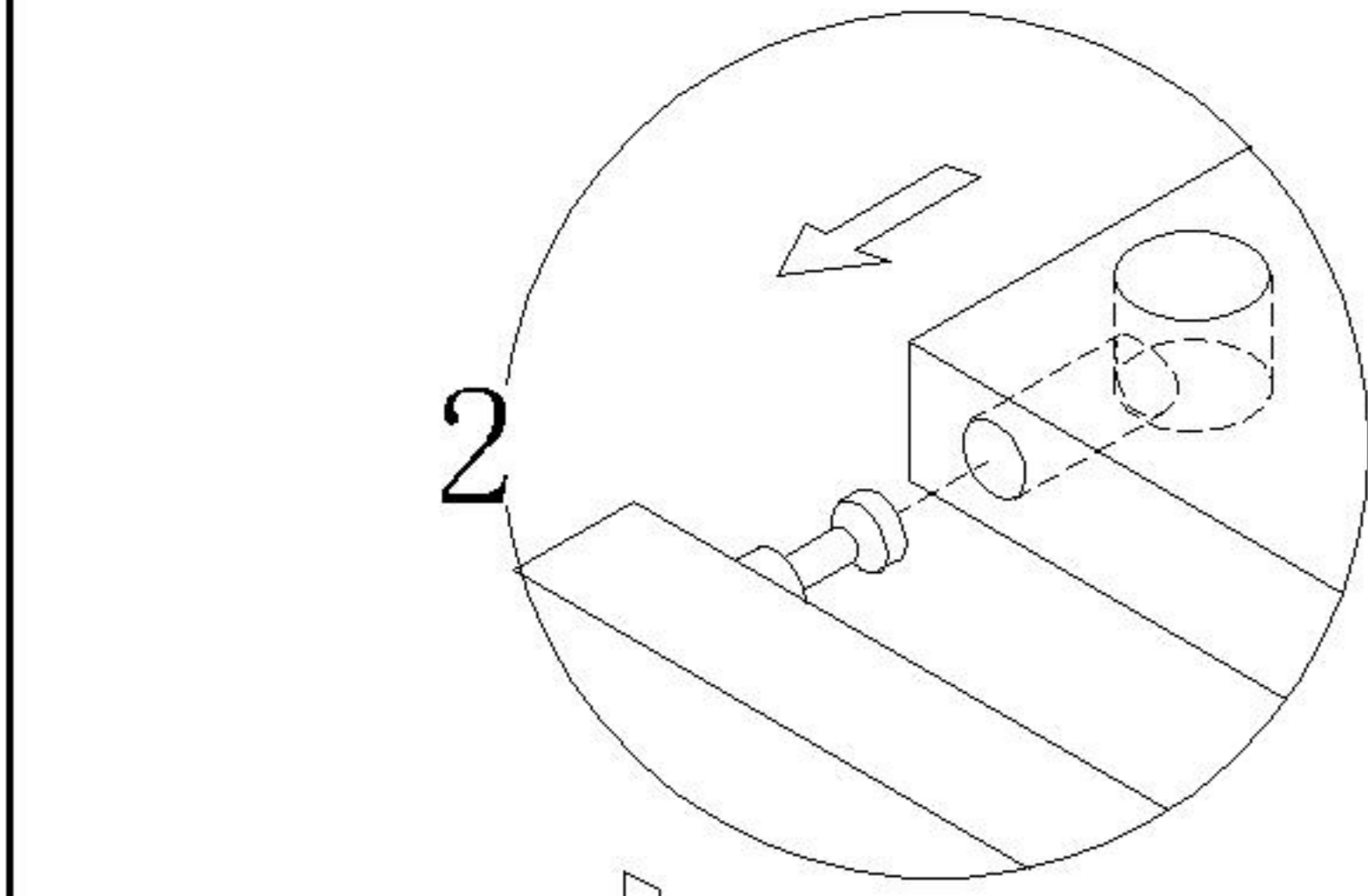
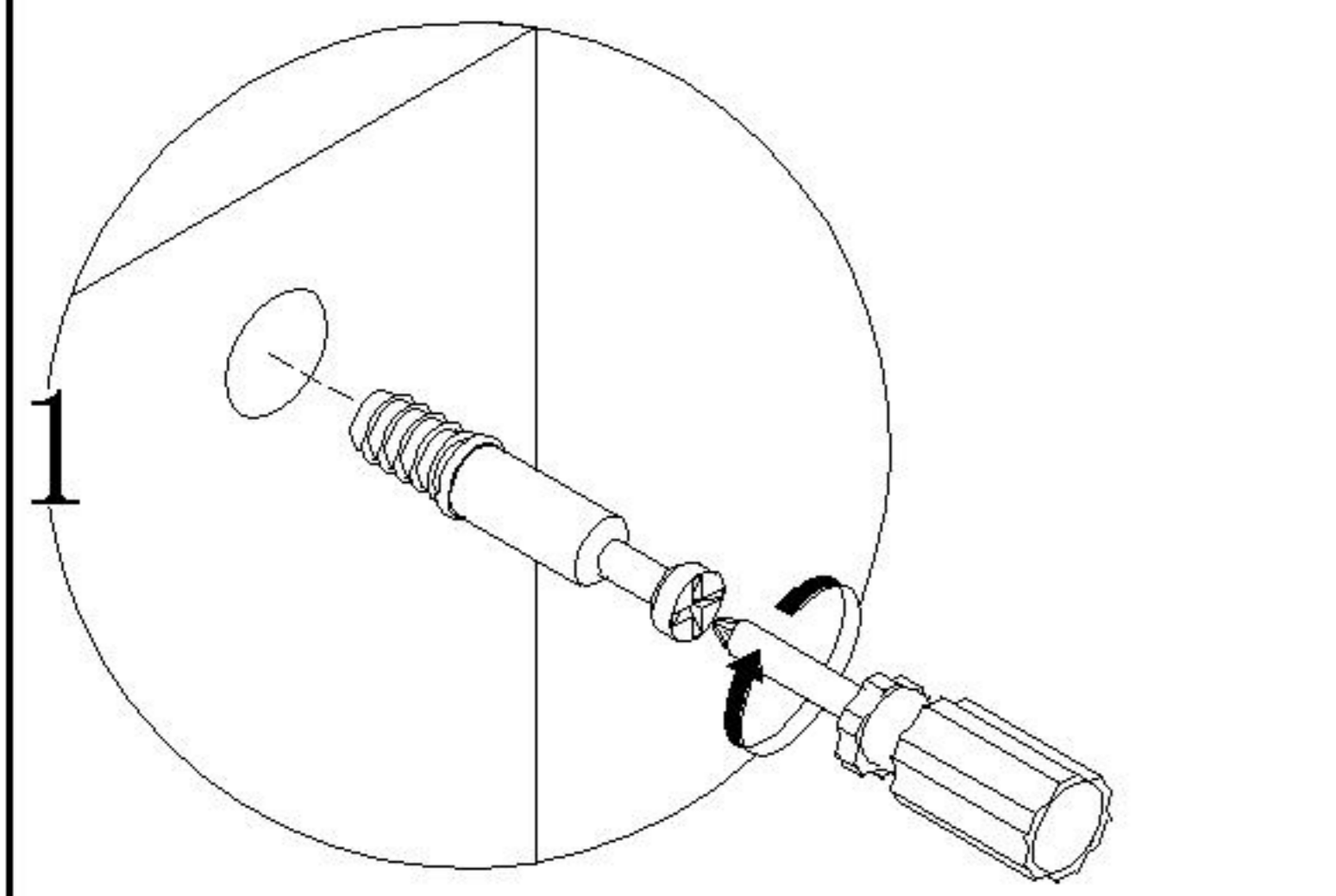
- (N)*6
- (Z)*1



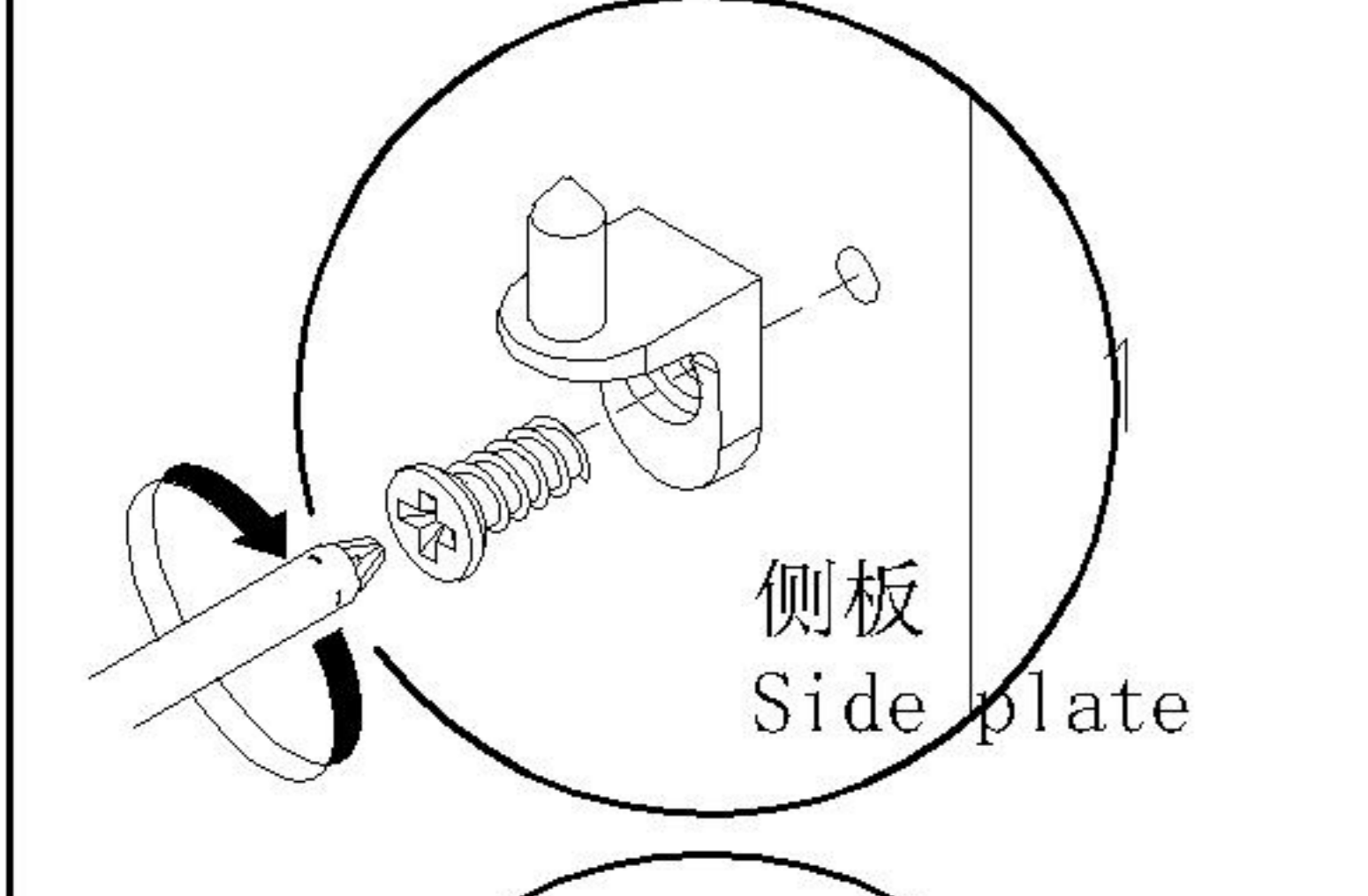
4

UM2M-A 2m

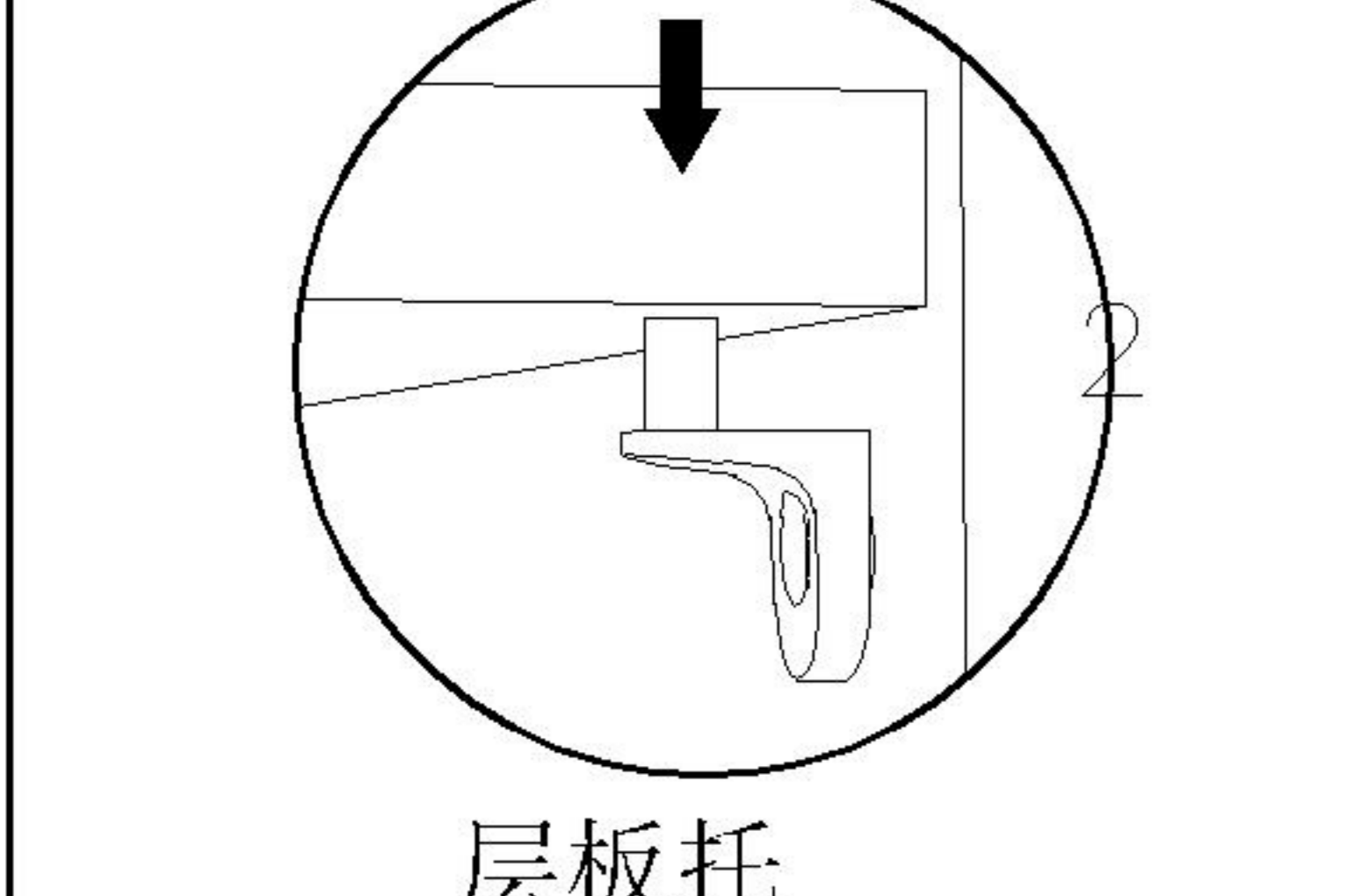
安装方法/
Installation method



大二合一
two-in-one

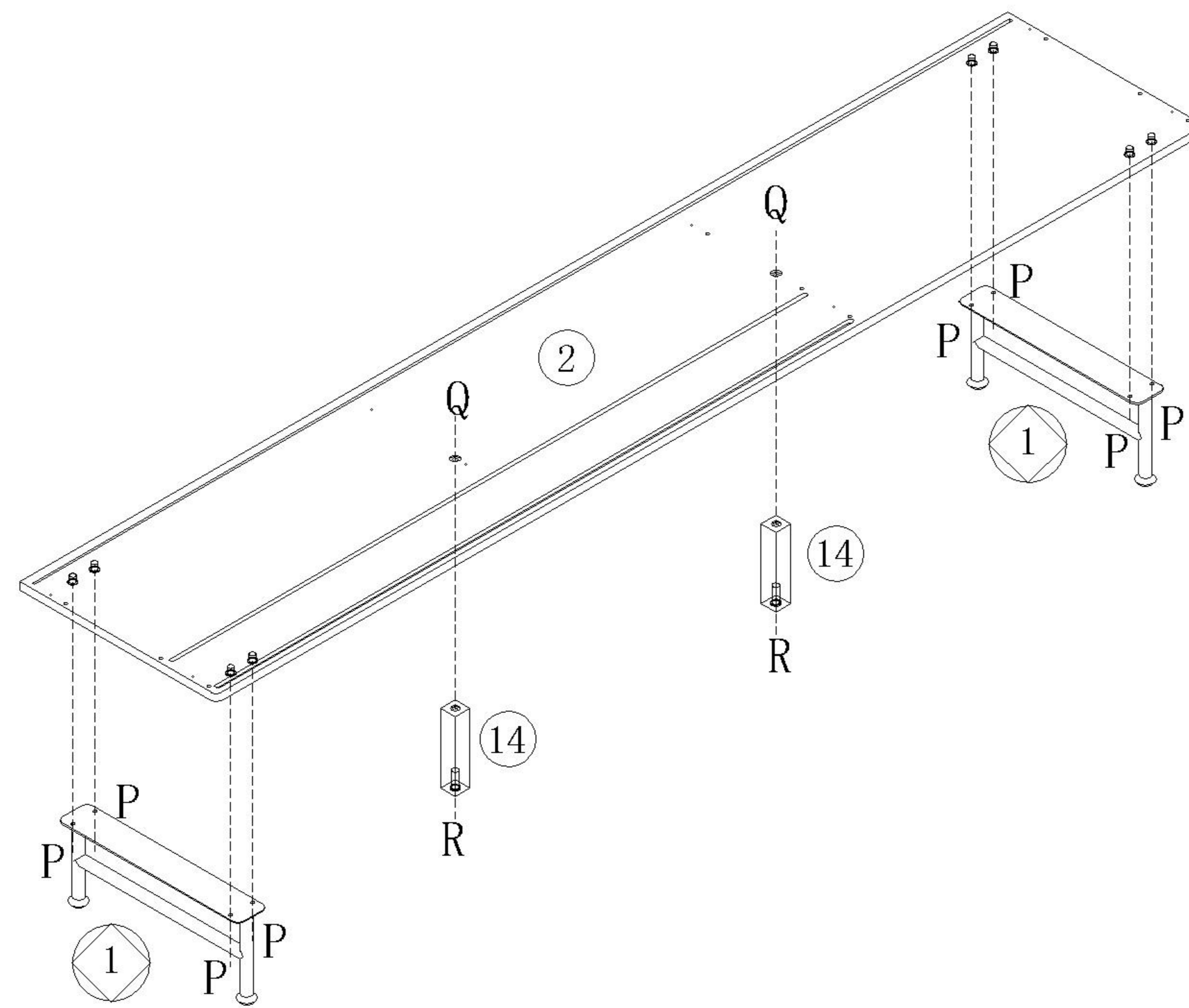


侧板
Side plate



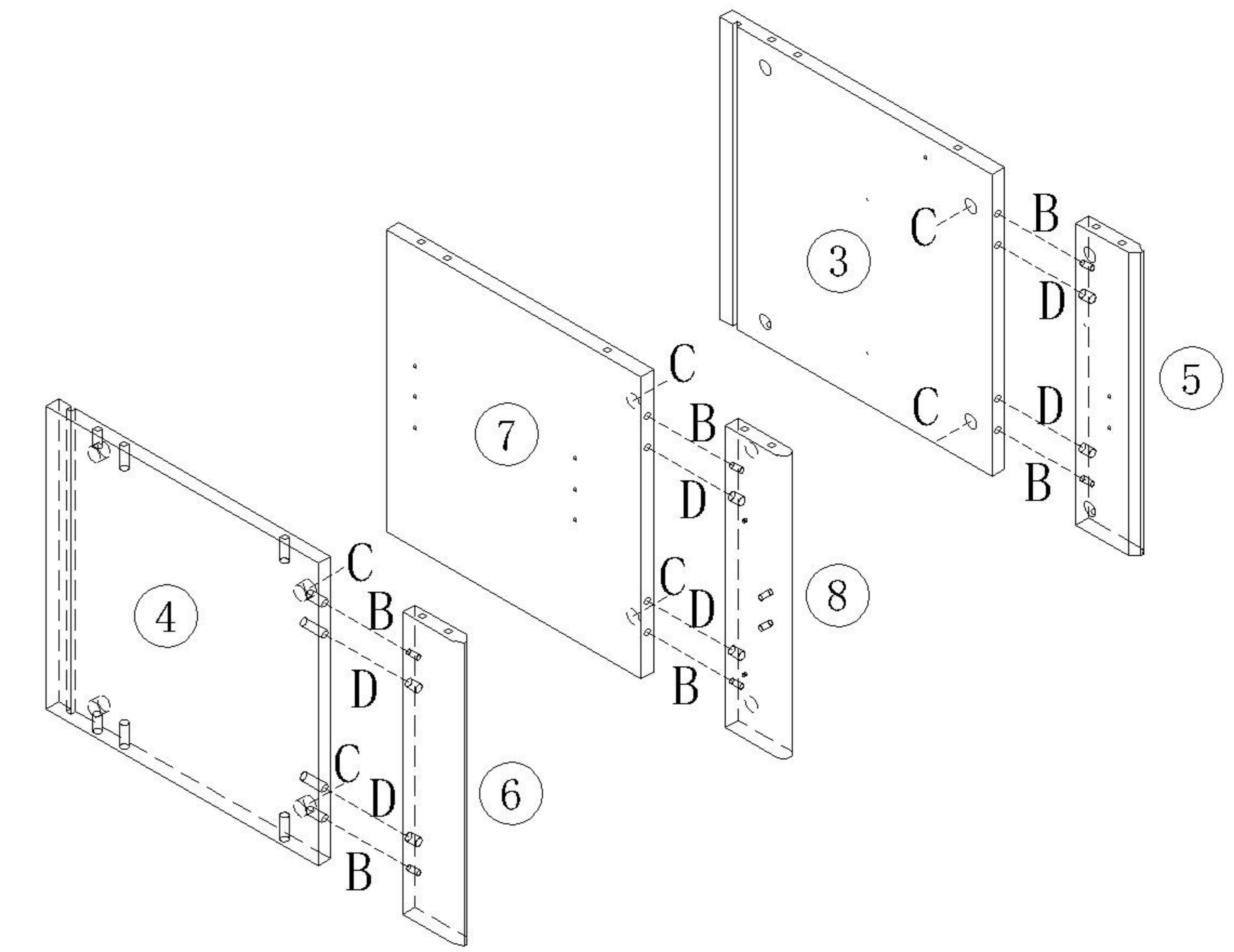
层板托
shelf support

- (P)*8
- (Q)*2
- (R)*2



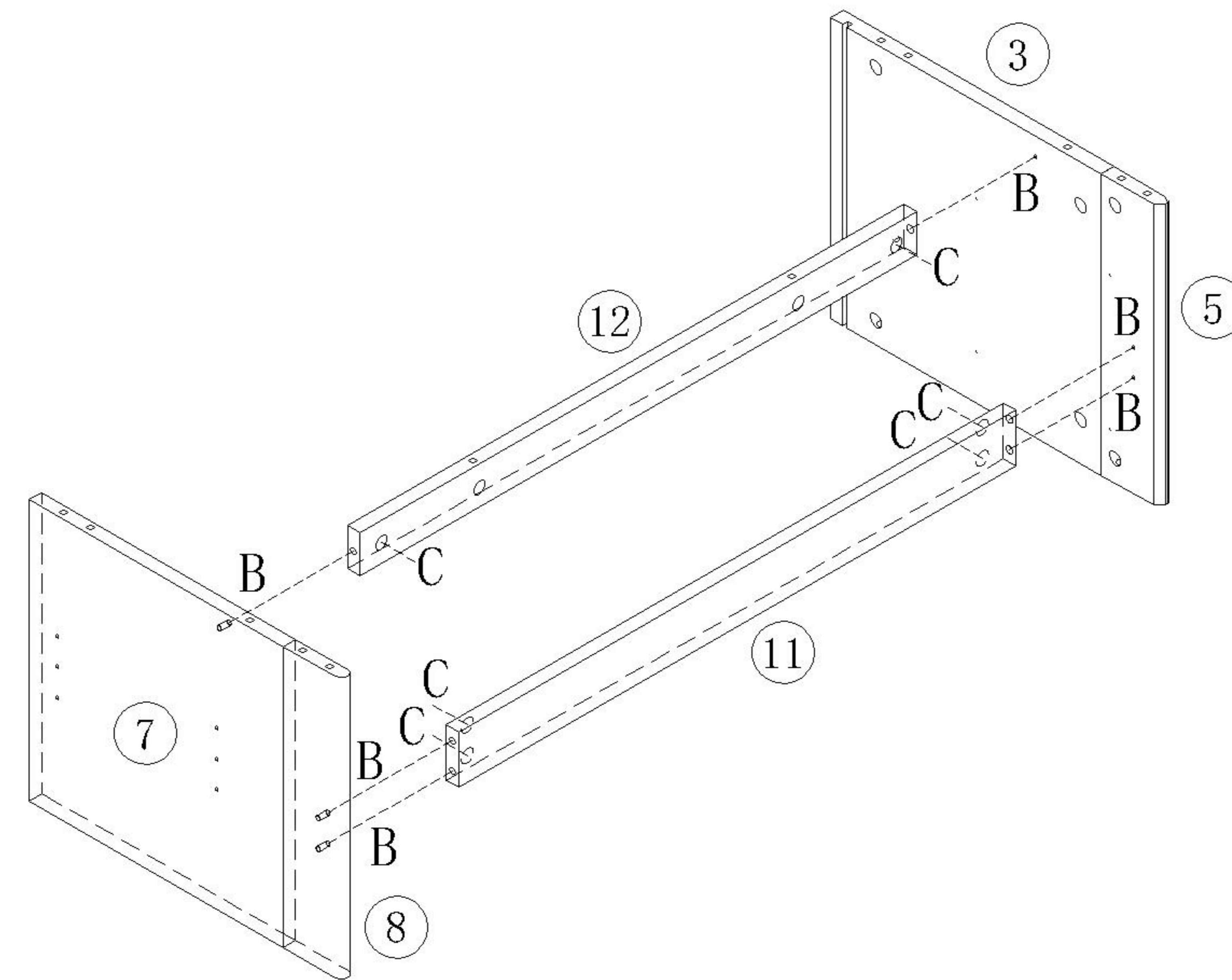
5

- (B)*6
- (C)*6
- (D)*6



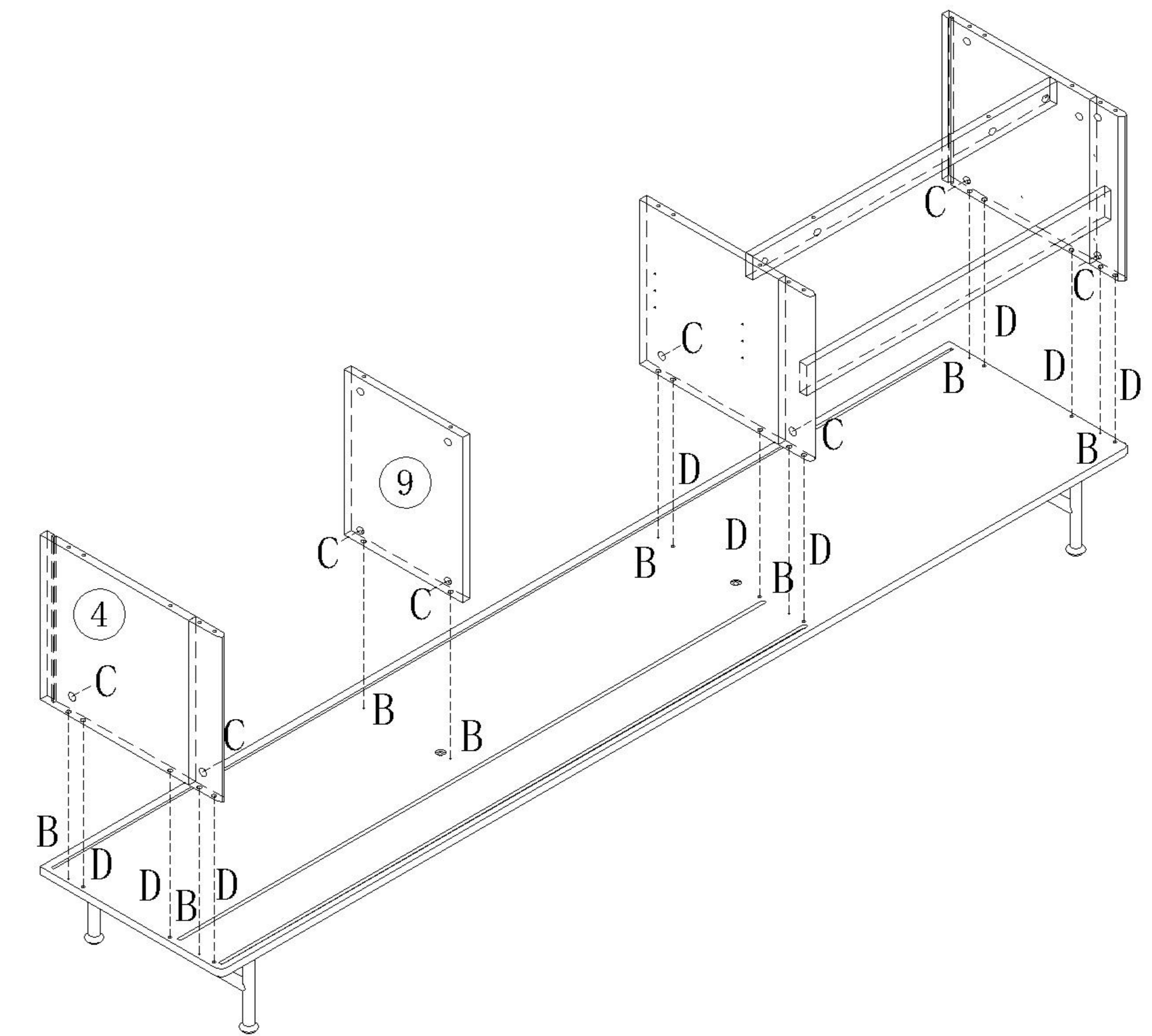
6

- (B)*6
- (C)*6



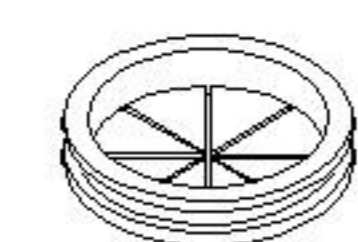
7

- (B)*8
- (C)*8
- (D)*9



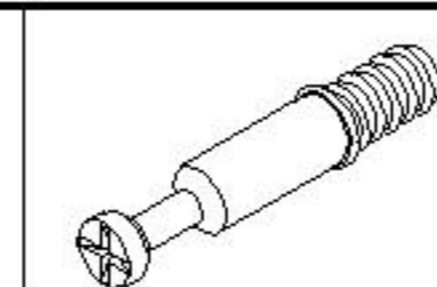
8

UM2M-A 2m

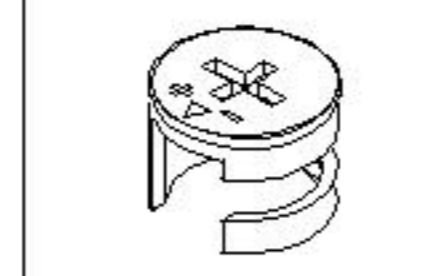


(T)*1

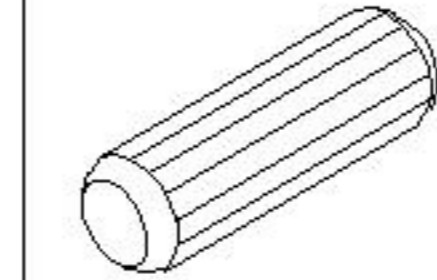
9



(B)*10



(C)*10

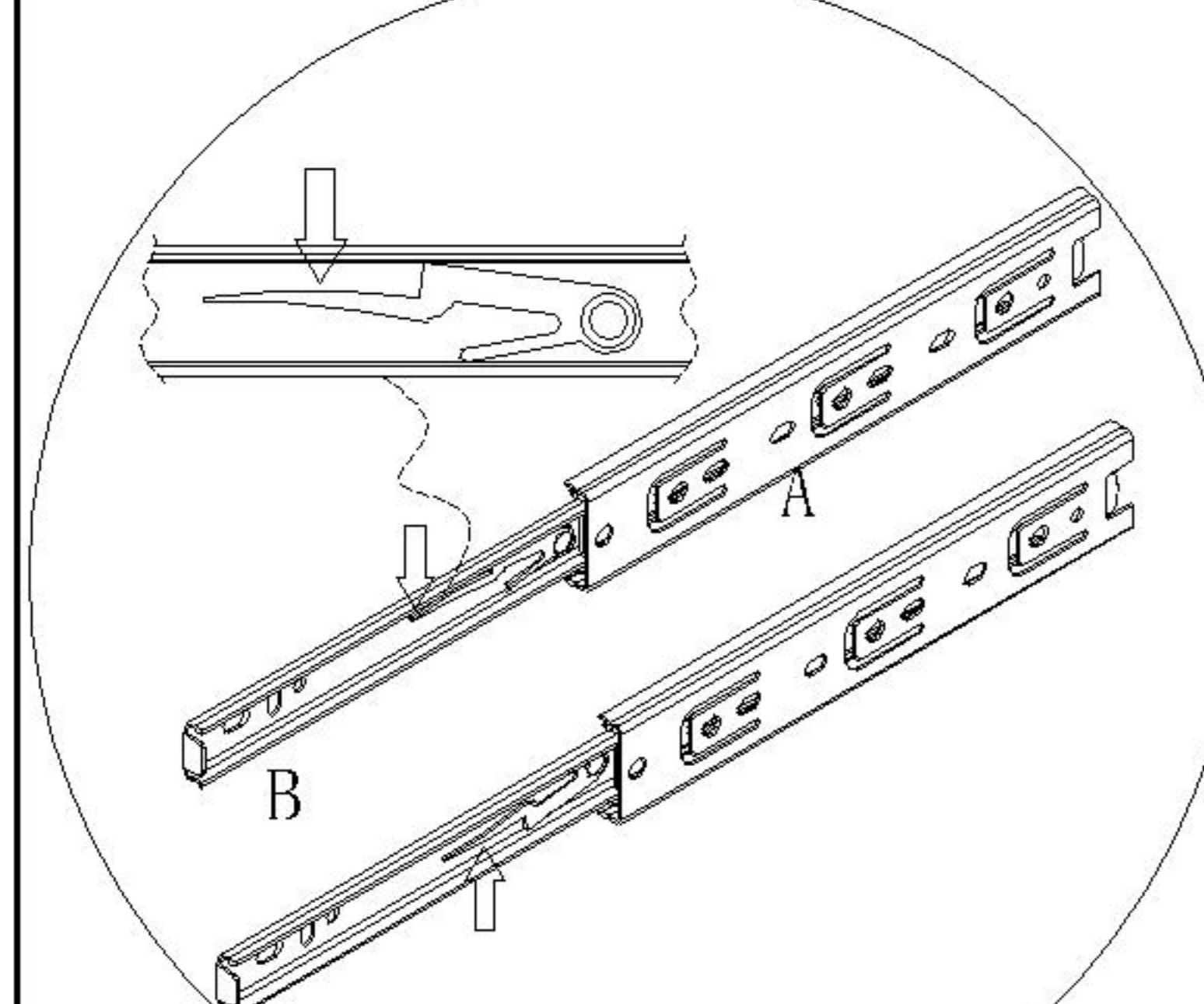


(D)*9

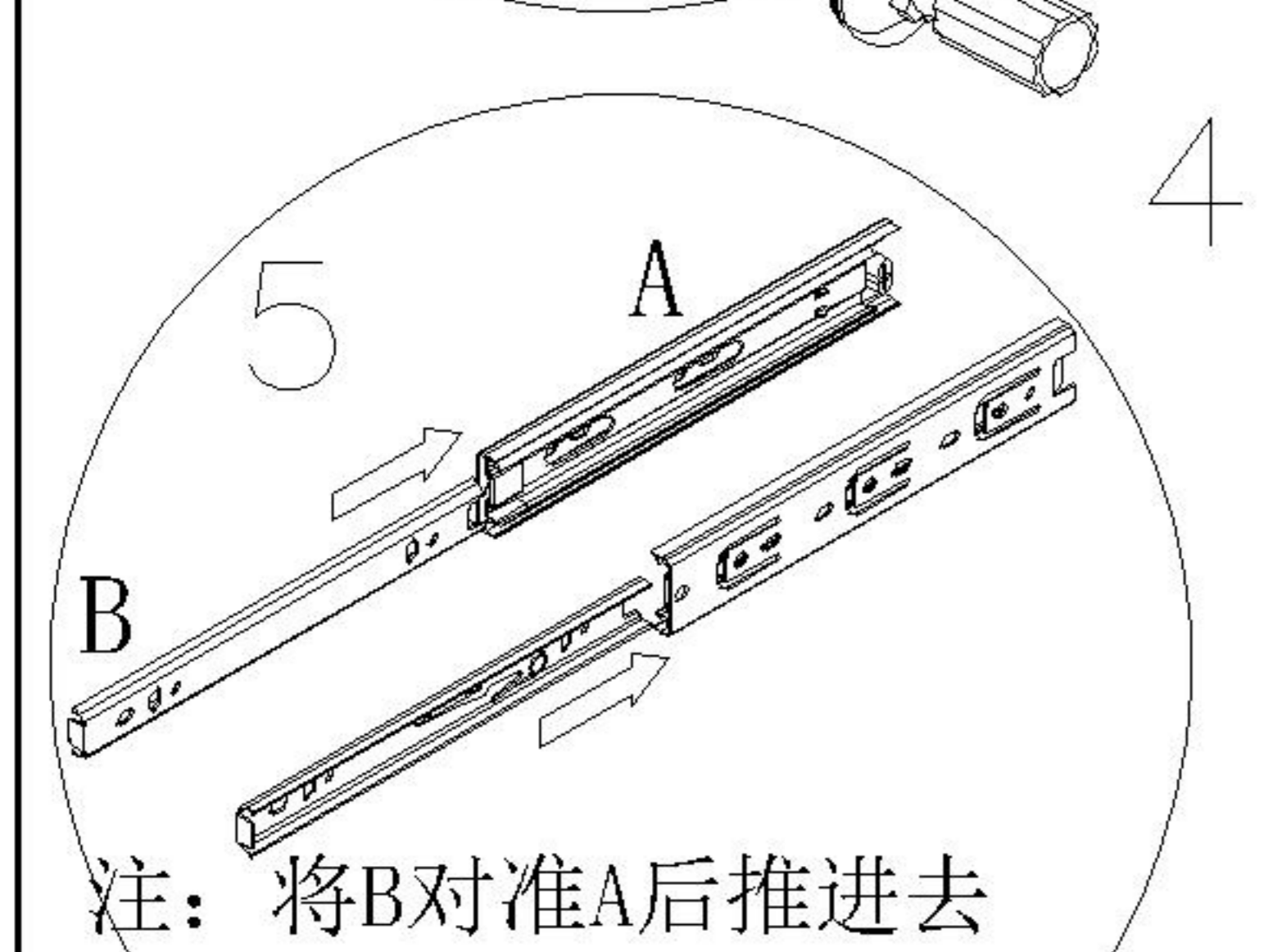
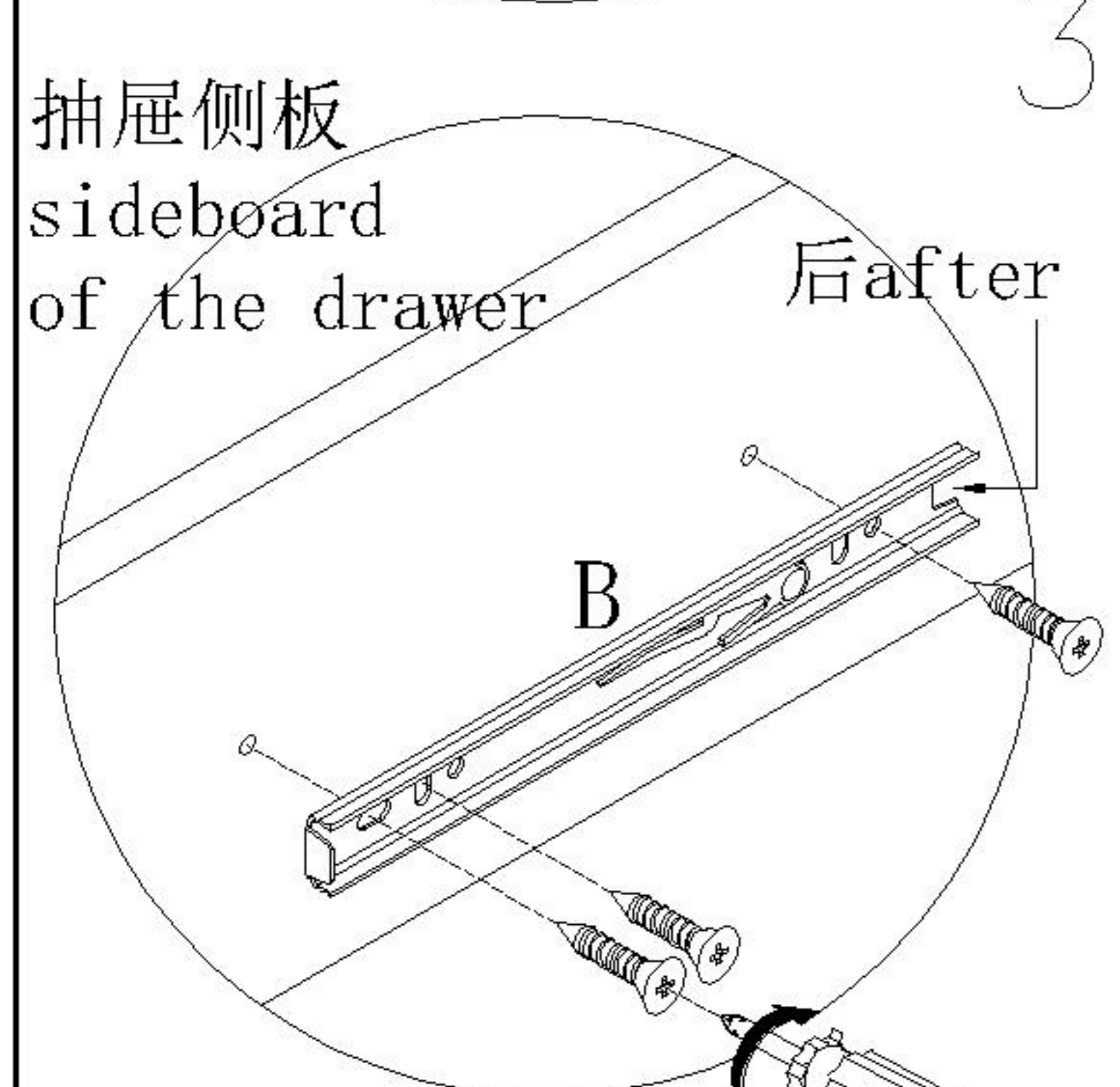
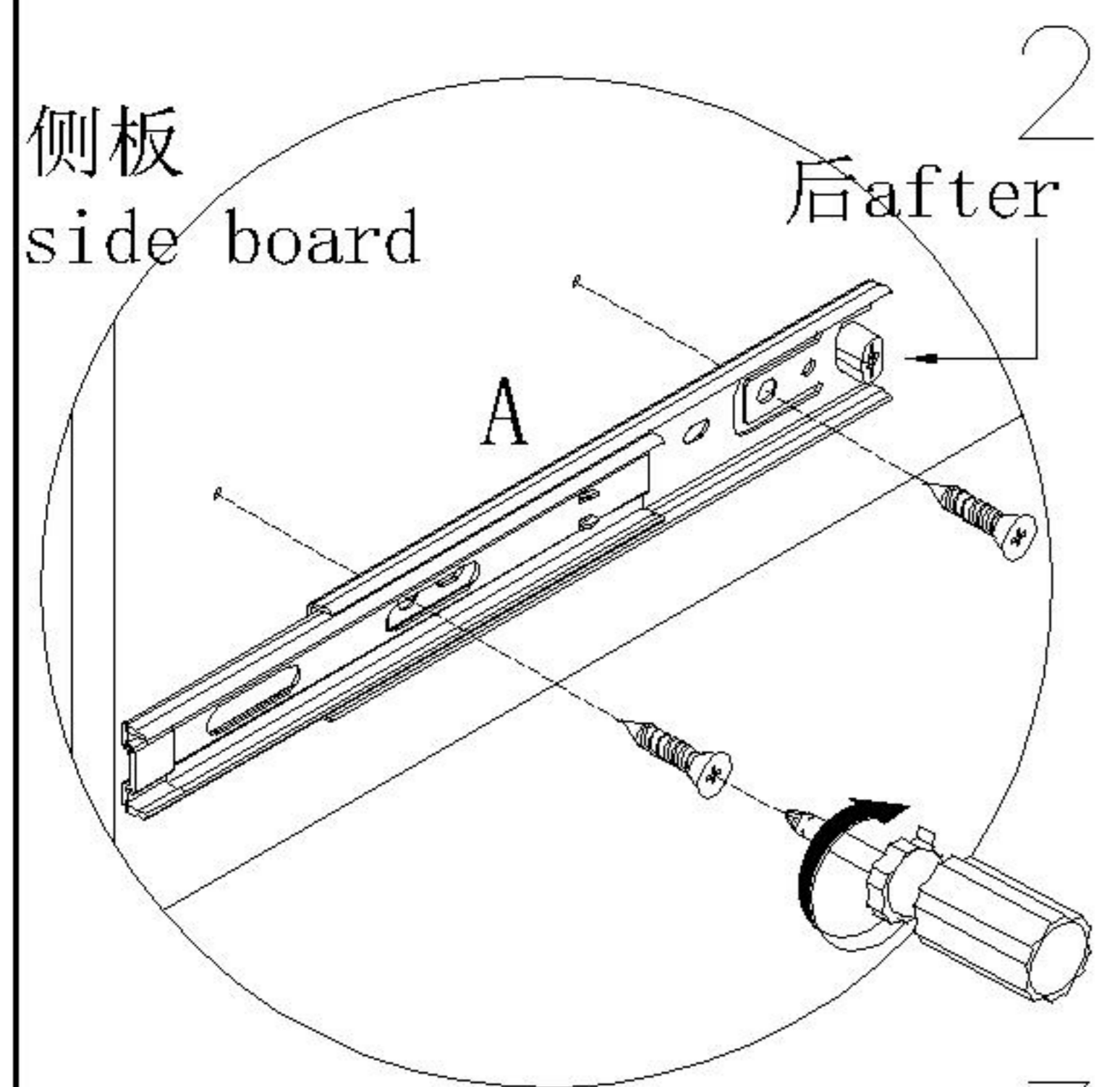
10

安装方法/ Installation method

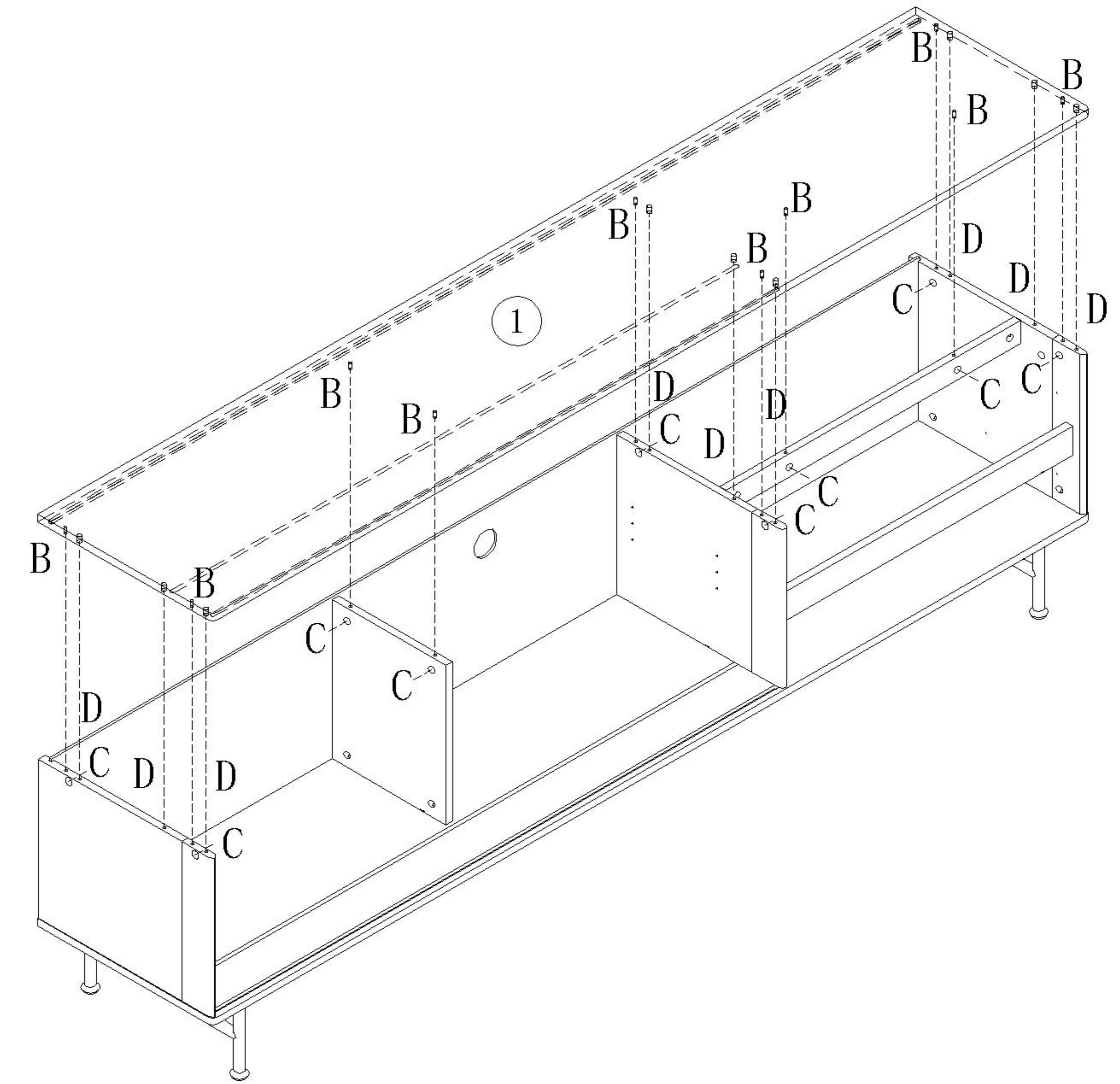
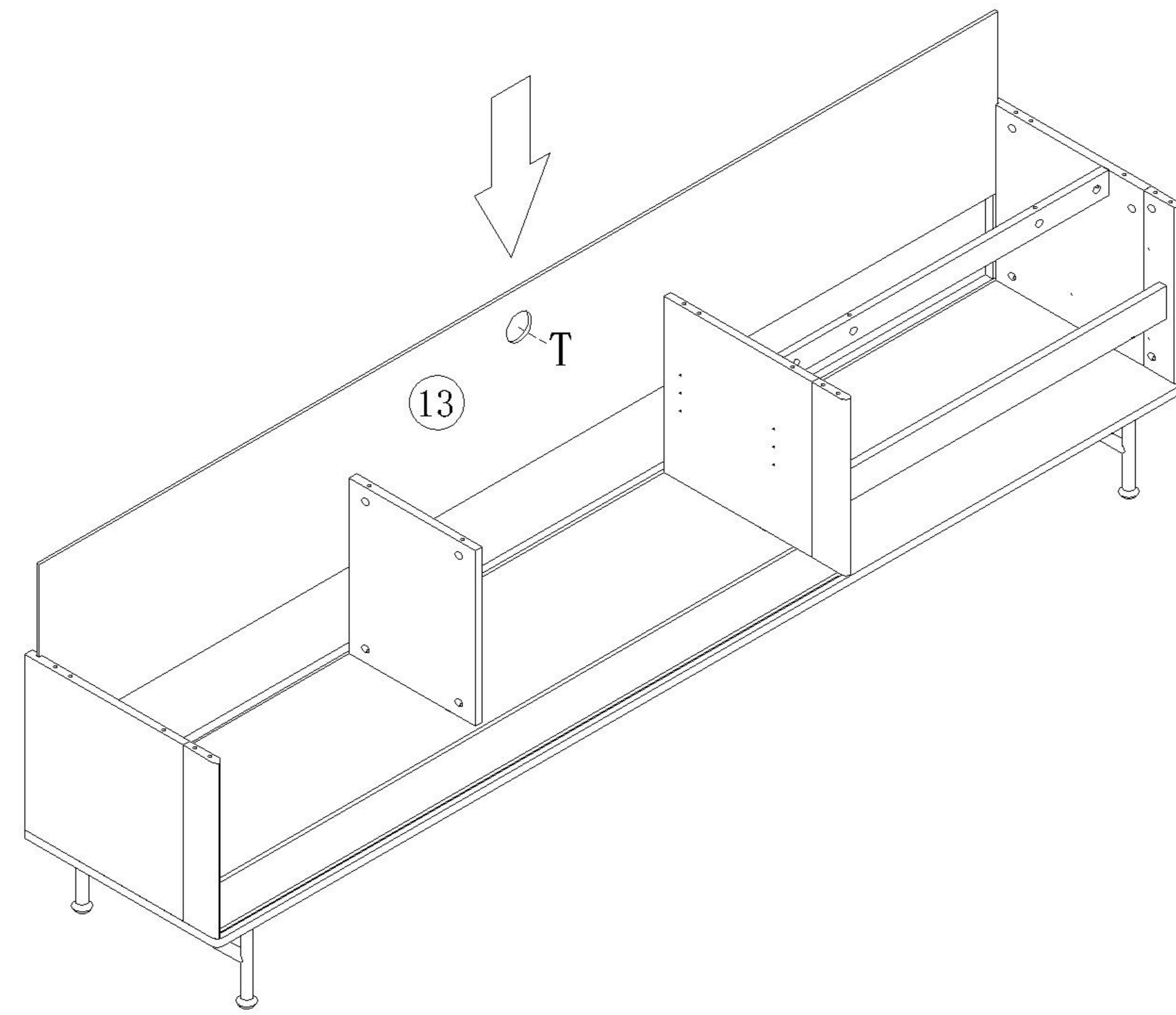
1
阀门开关(下压为开)
Valve switch
(press down to open)



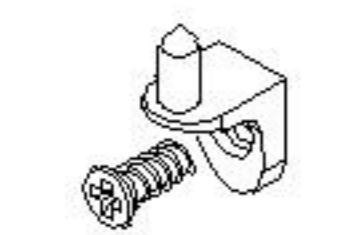
注: 先将A与B拆下来
Note: remove a and B first



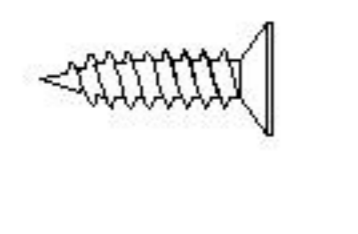
注: 将B对准A后推进去
Note: align B with a
and push it in
三节滚珠导轨
three-section ball rail



11



(A)*4

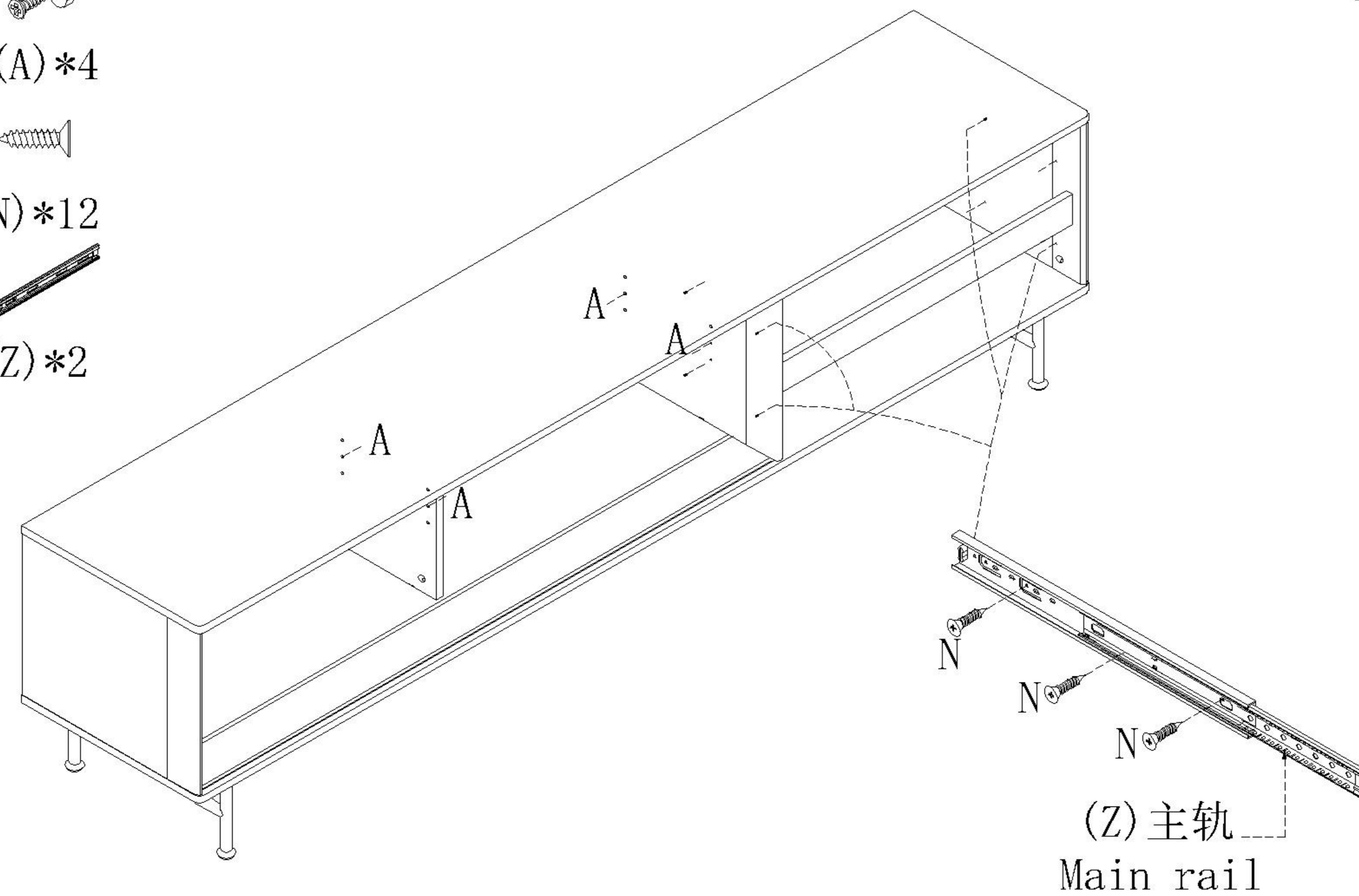


(N)*12

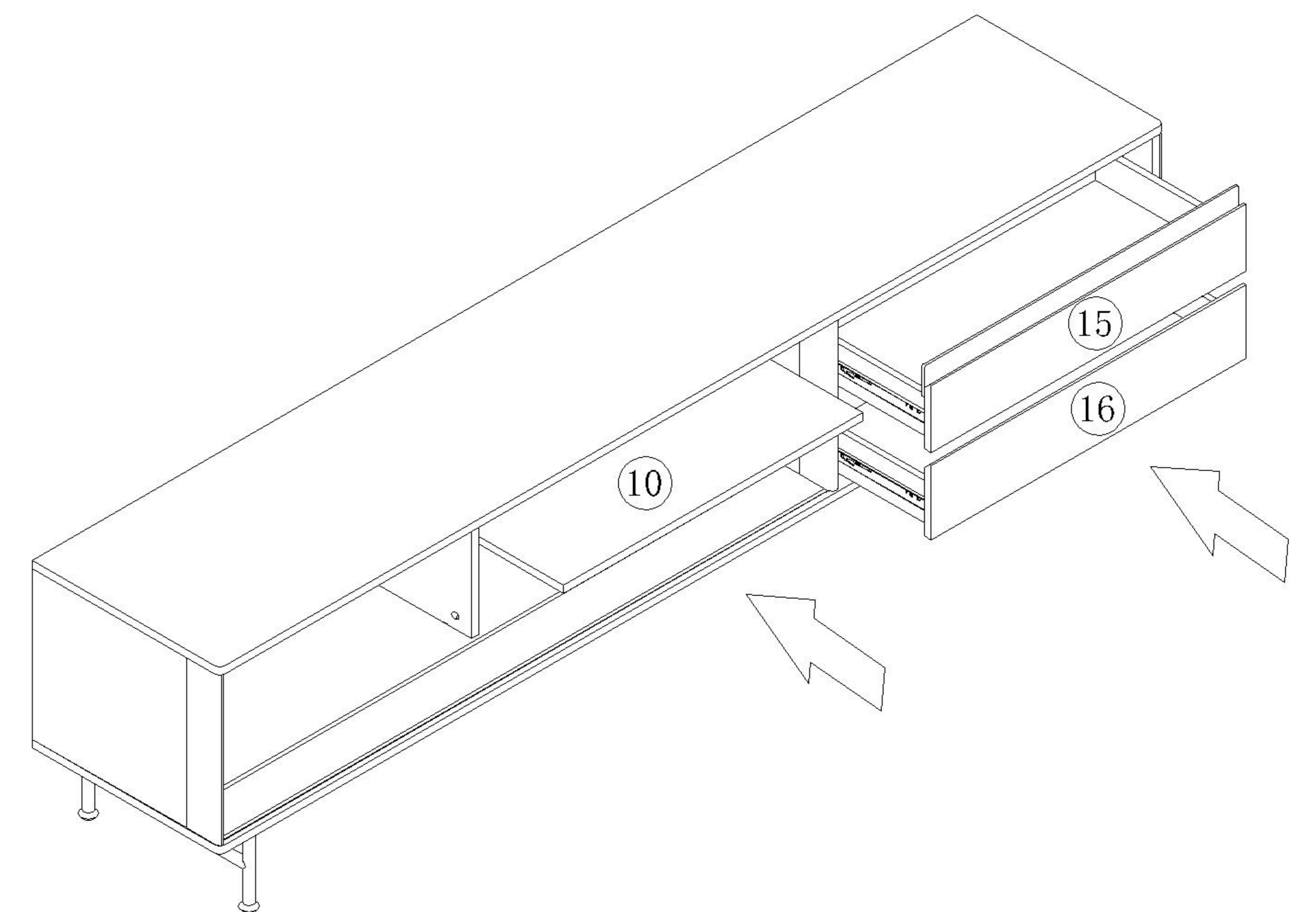


(Z)*2

12

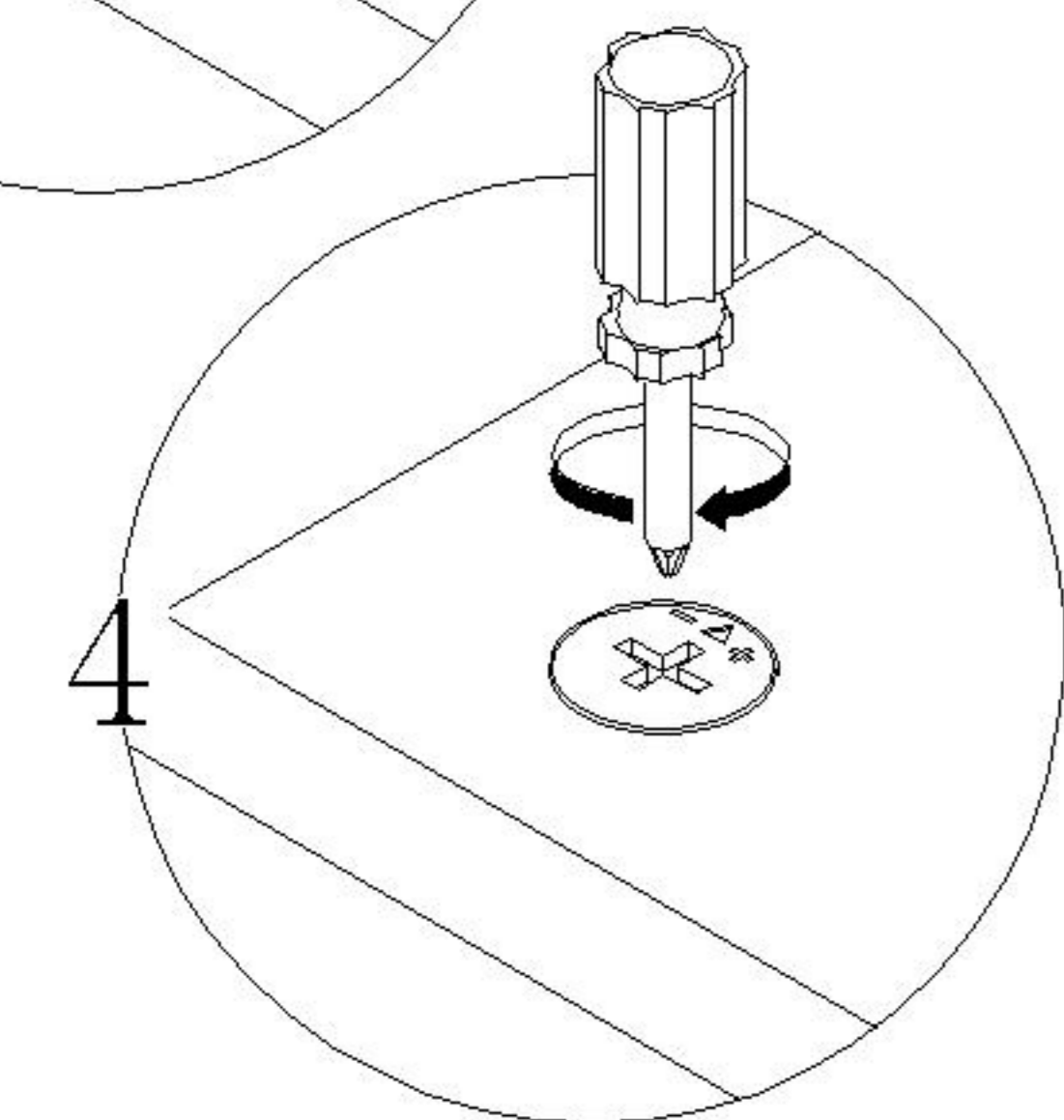
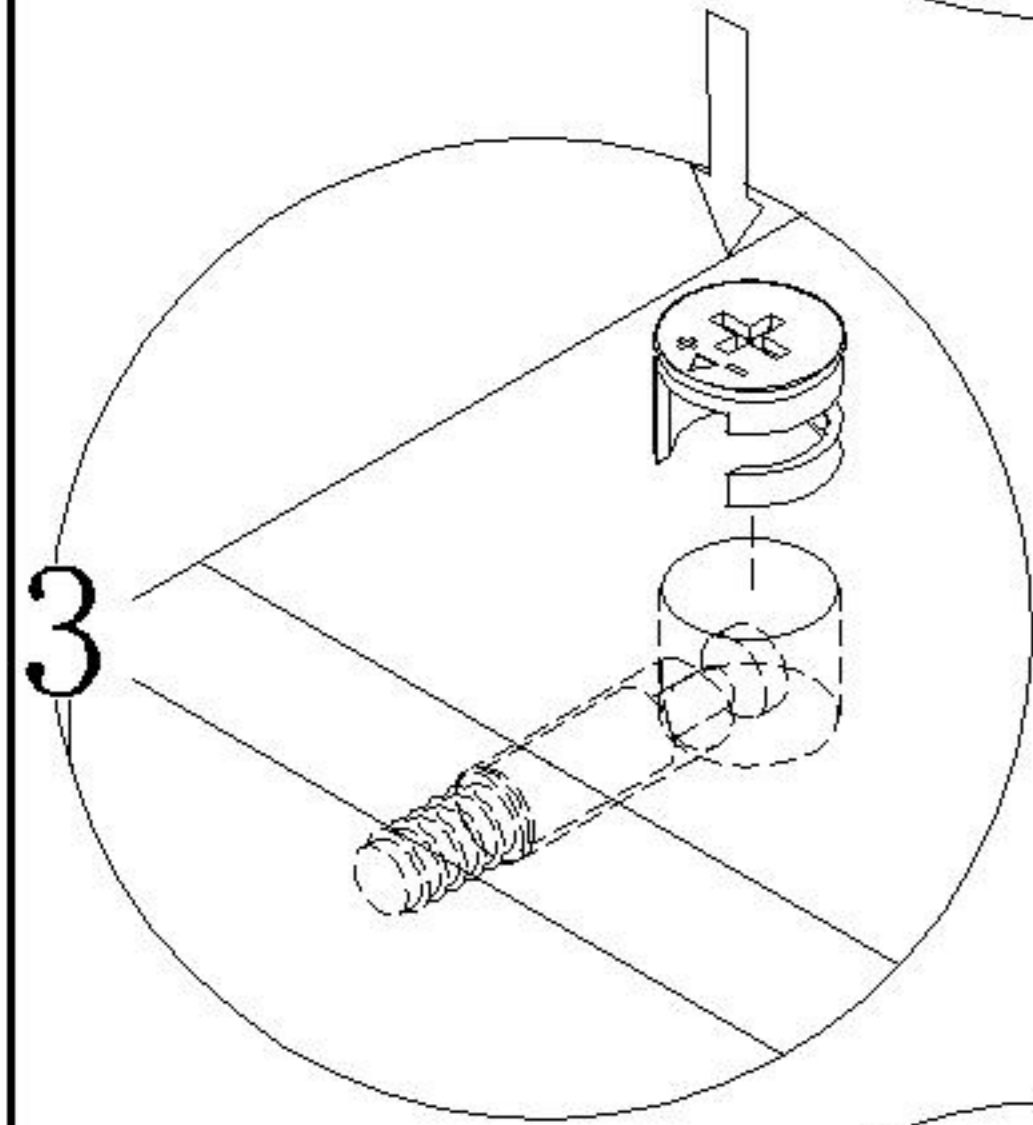
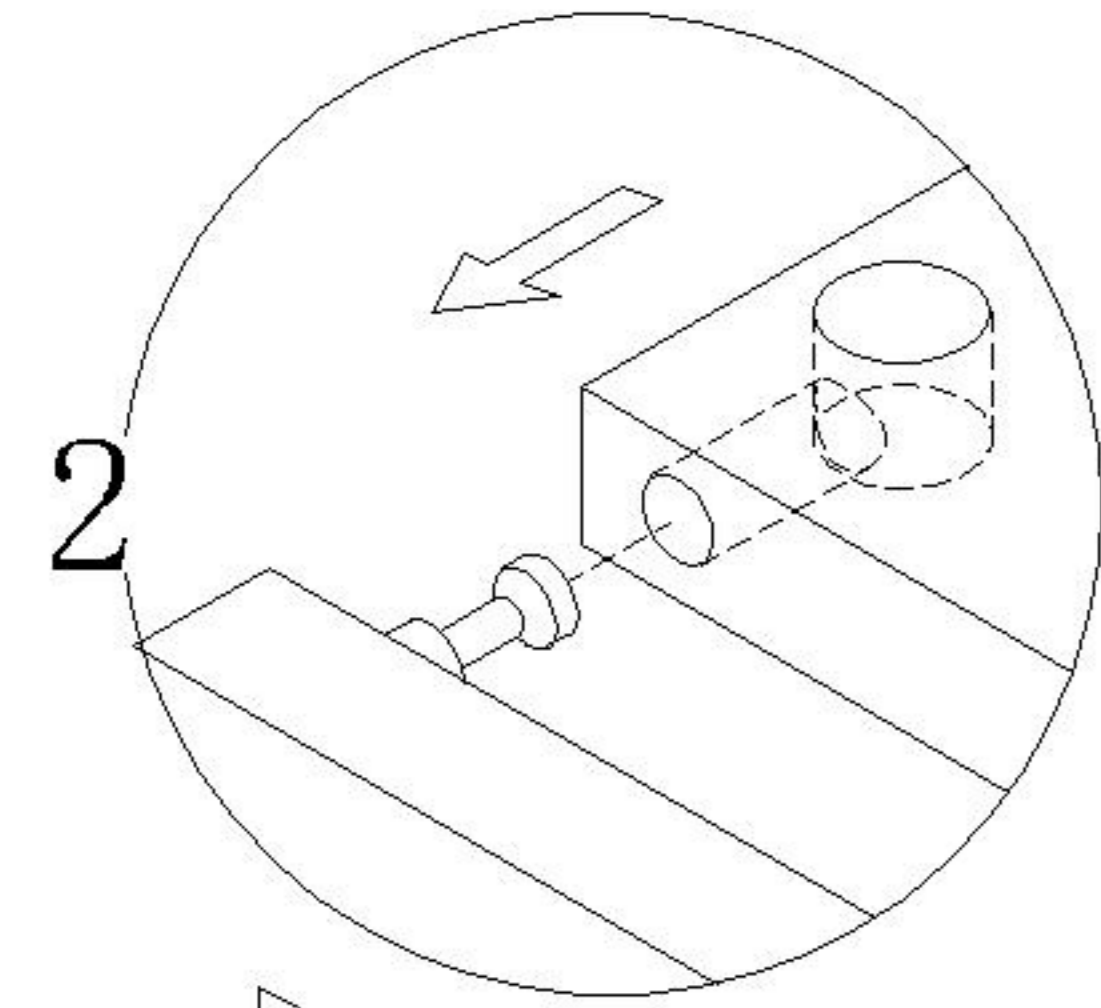
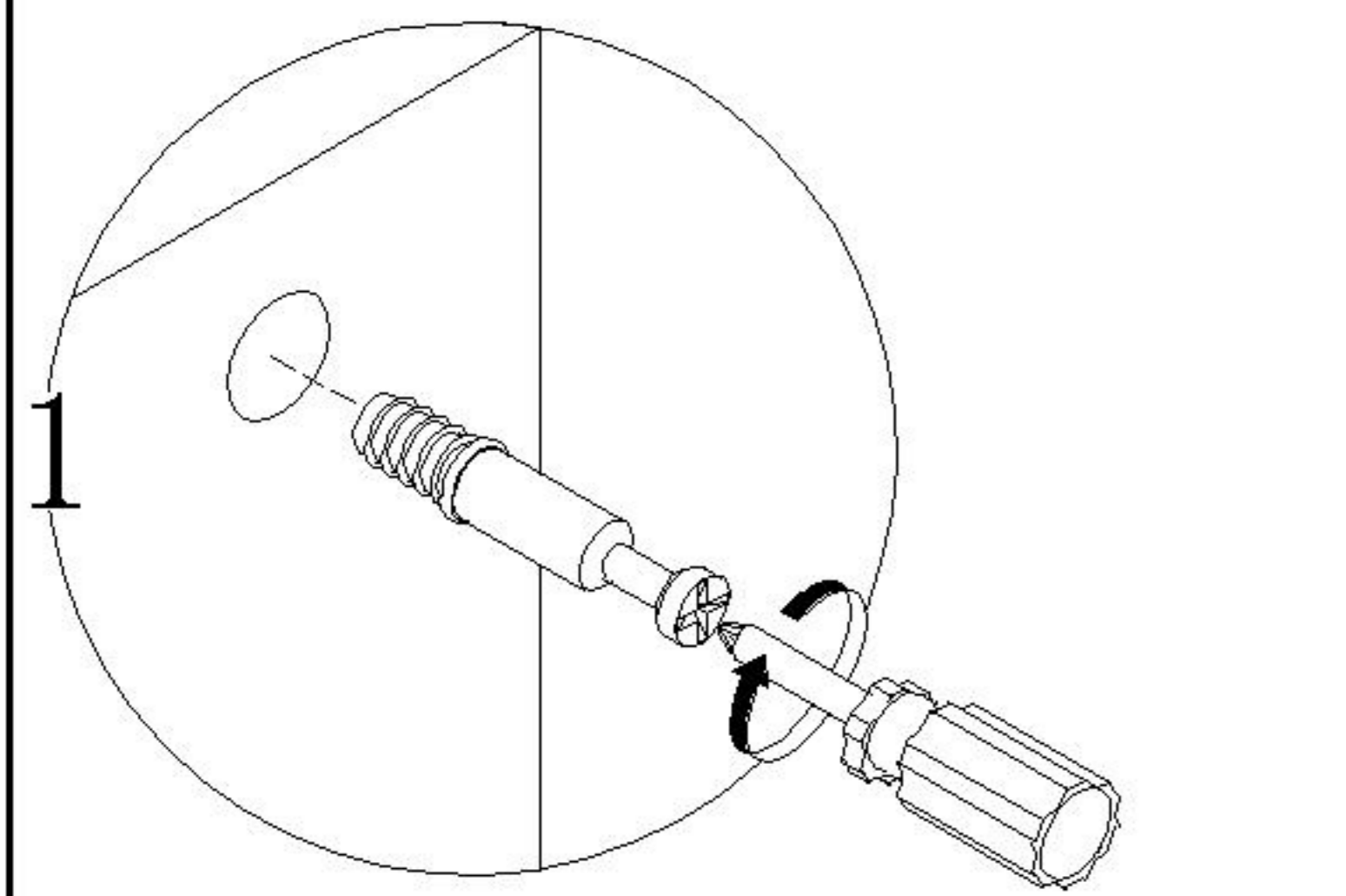


(Z) 主轨
Main rail

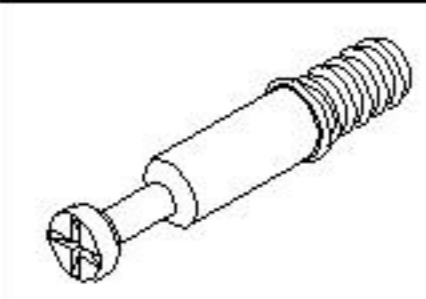


UM2M-A 2m

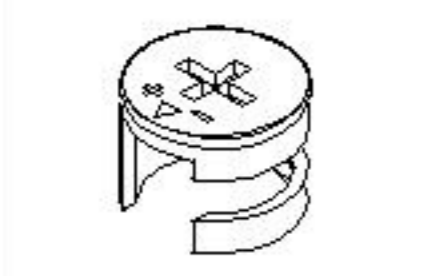
安装方法/
Installation method



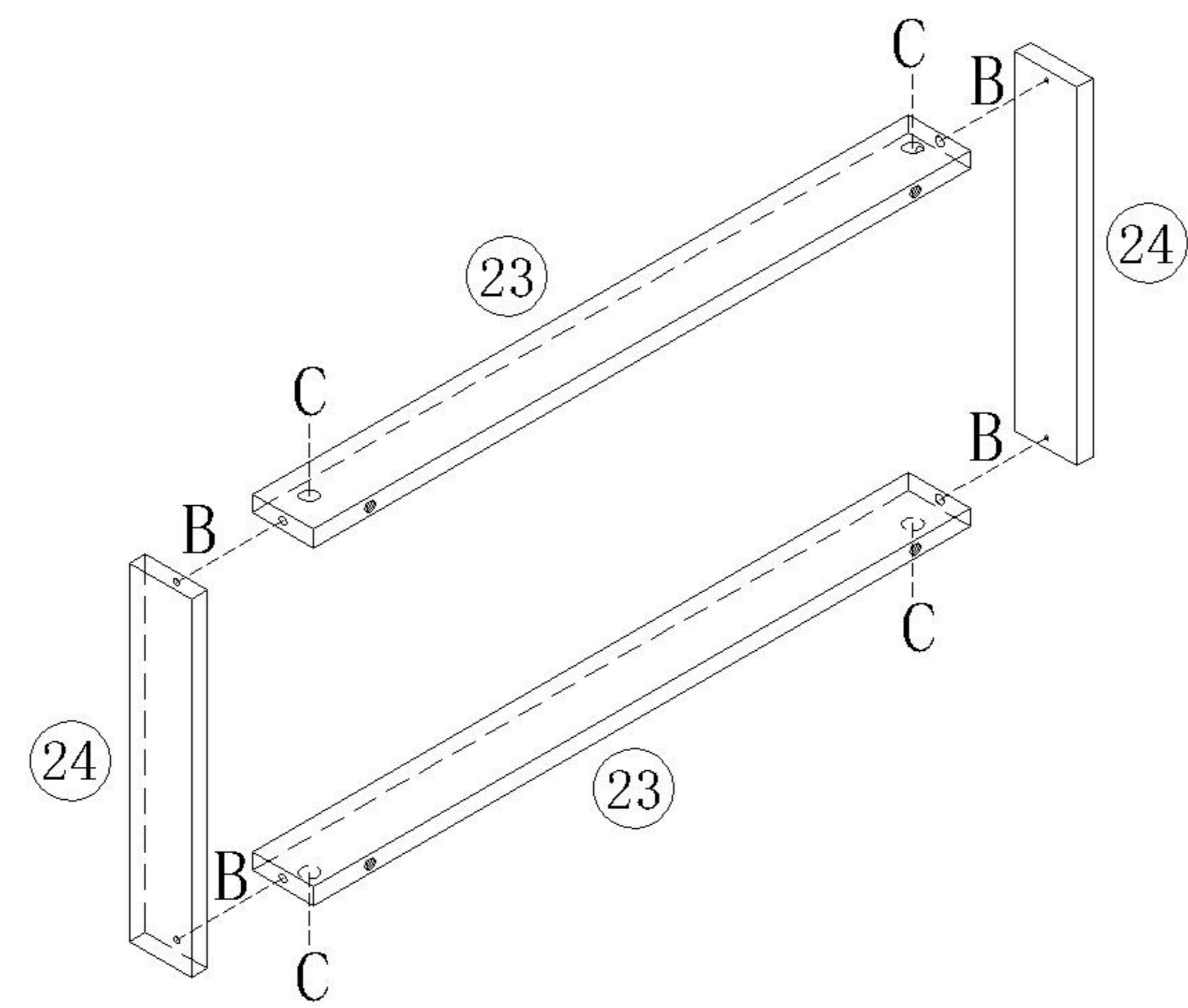
大二合一
two-in-one



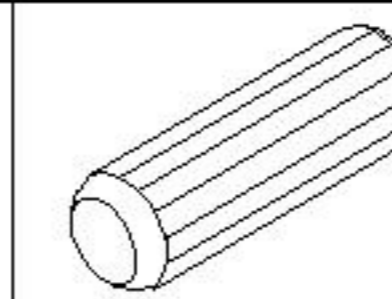
(B)*4



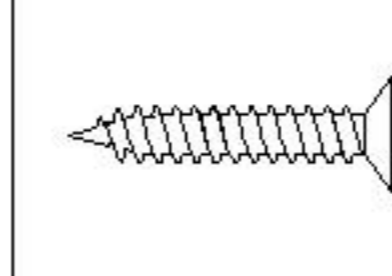
(C)*4



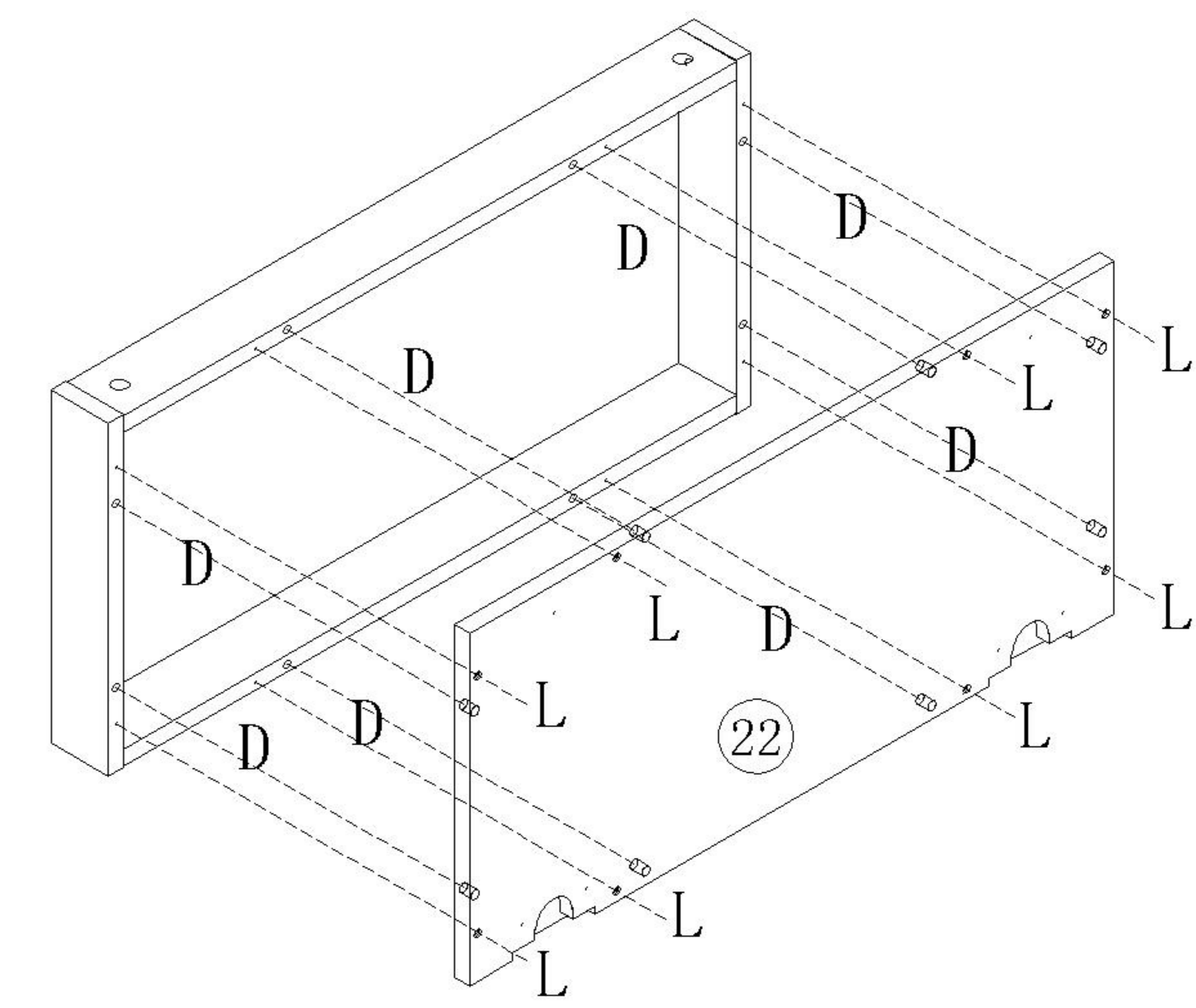
13



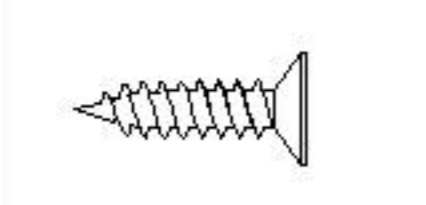
(D)*8



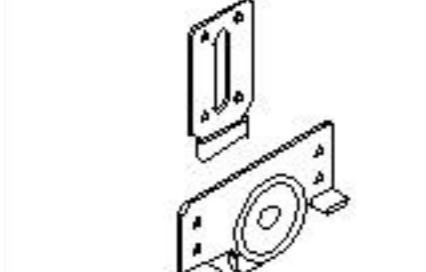
(L)*8



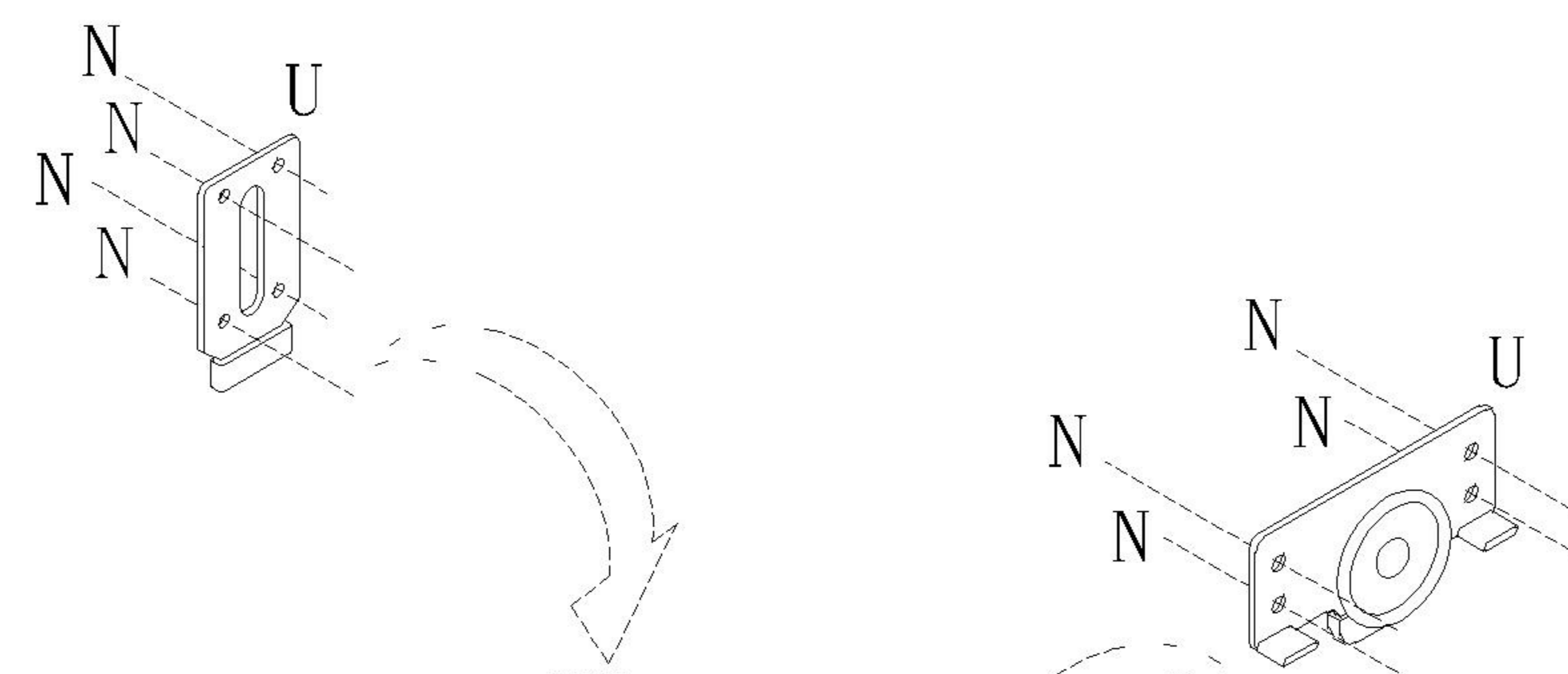
14



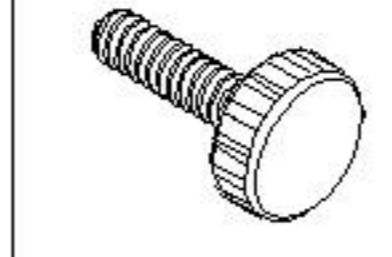
(N)*16



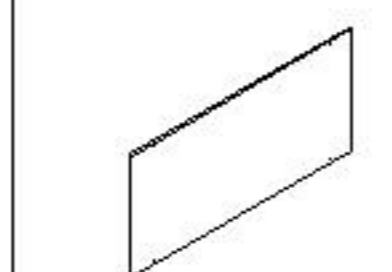
(U)*2



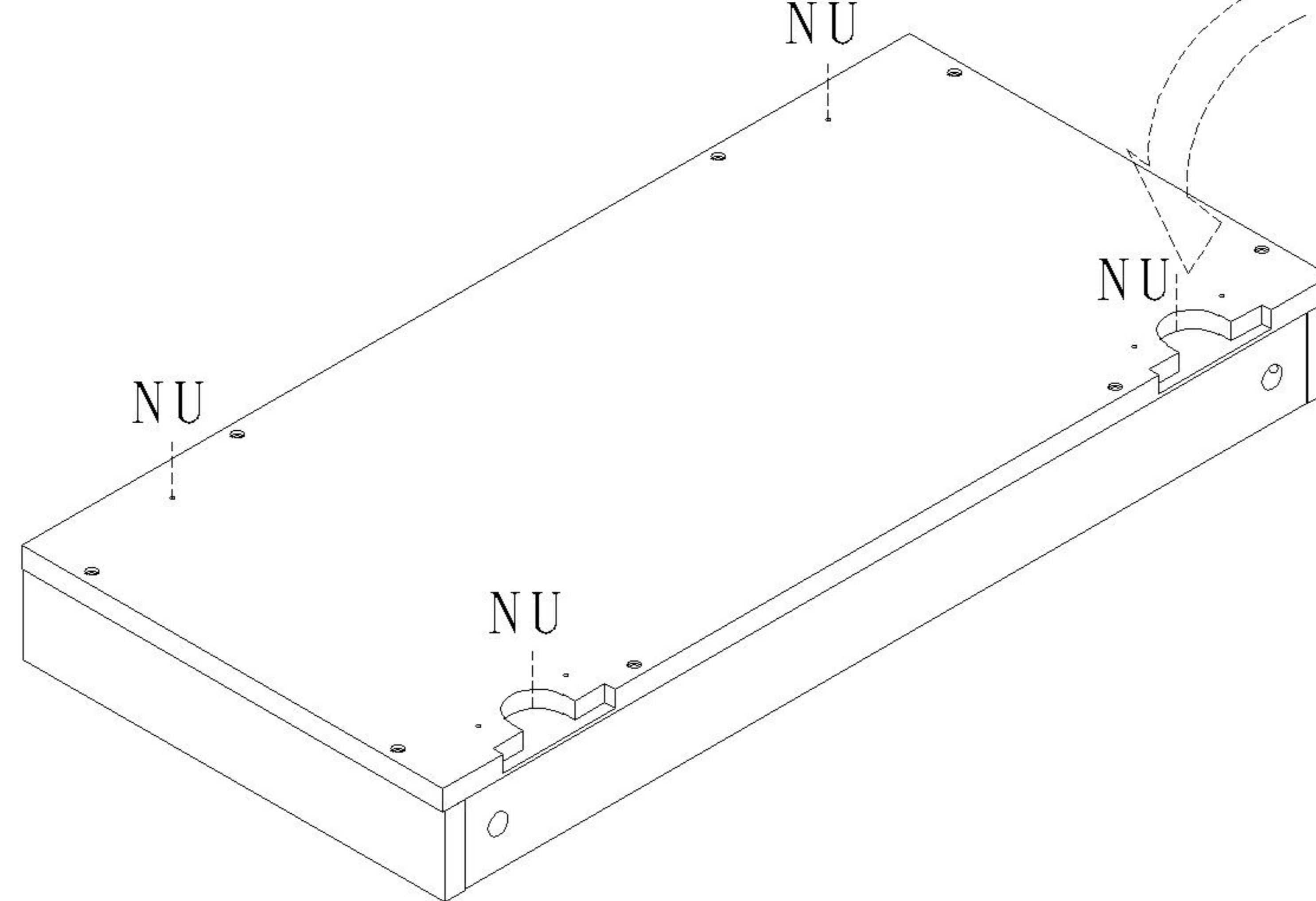
15



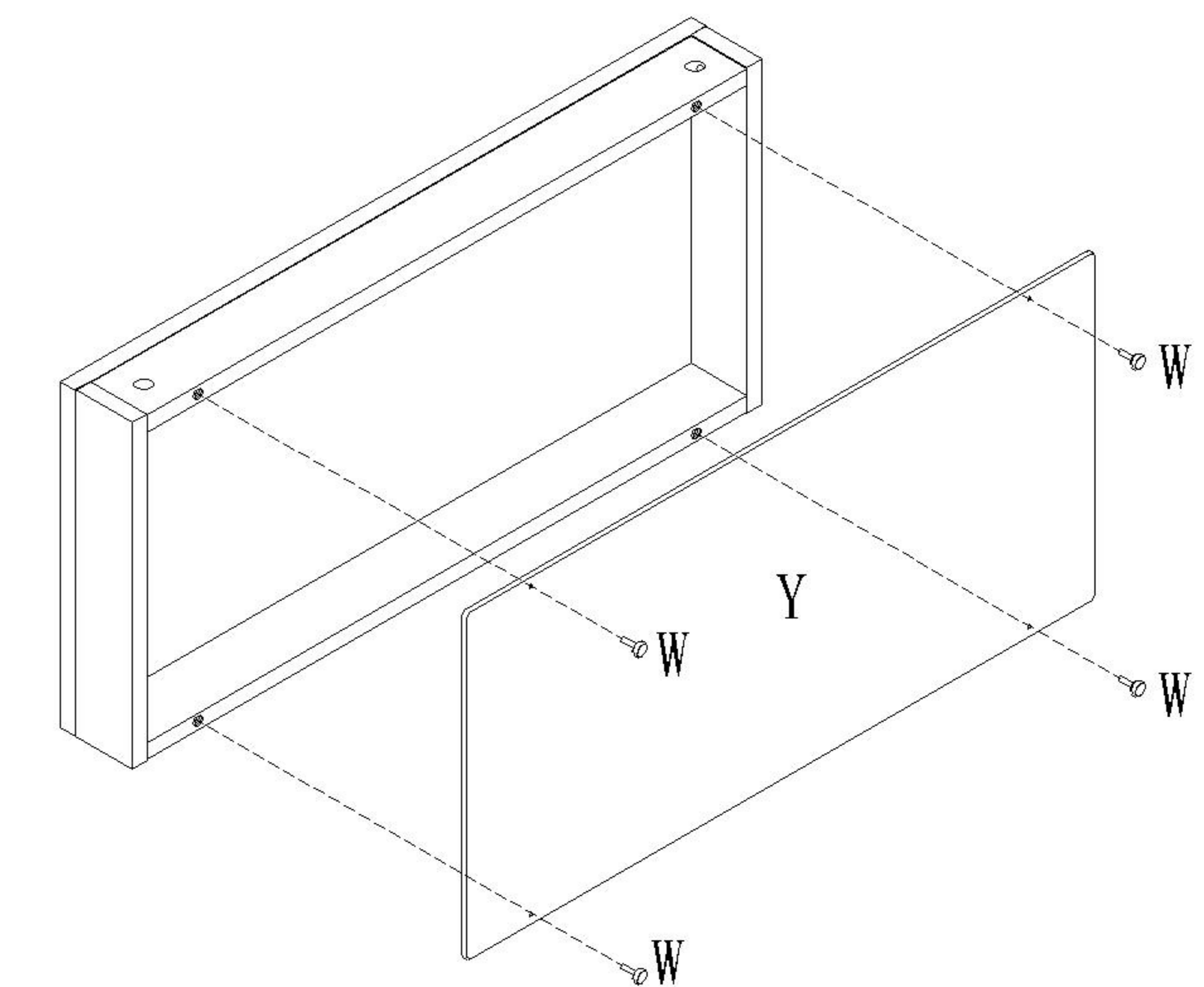
(W)*4



(Y)*1

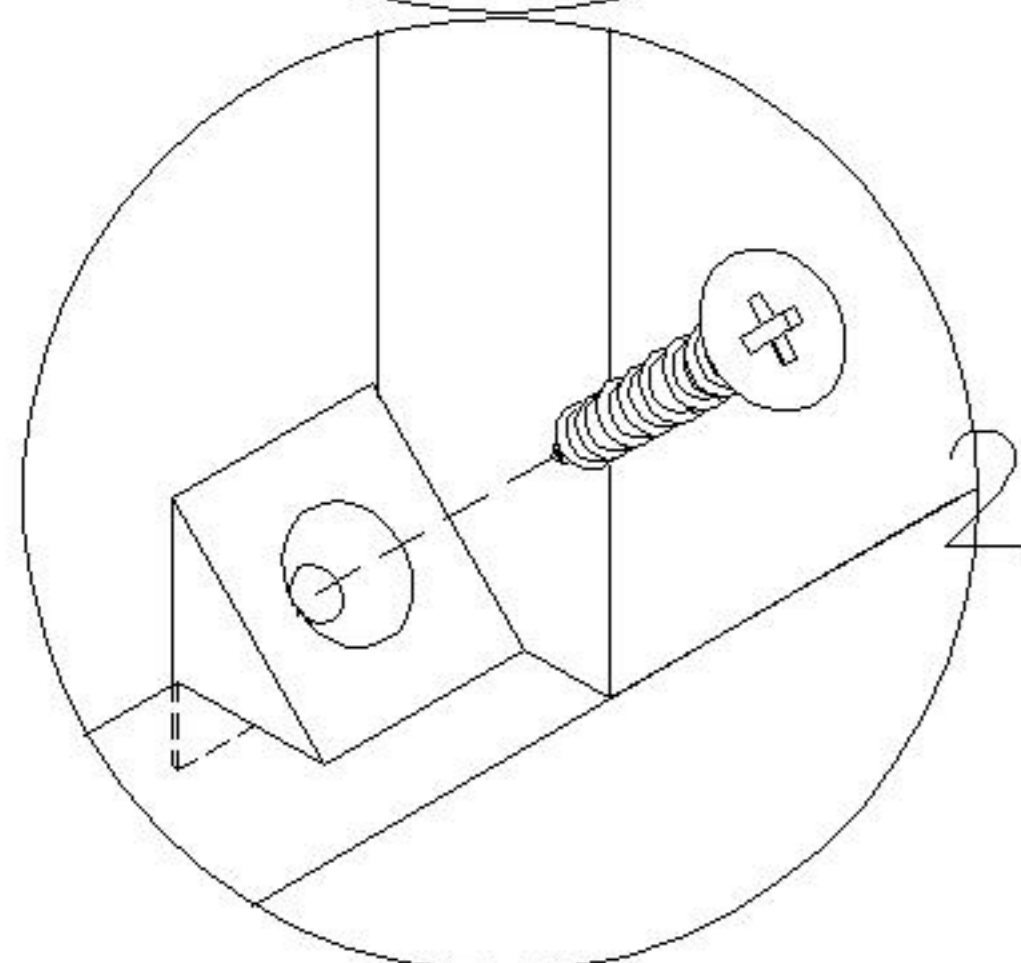
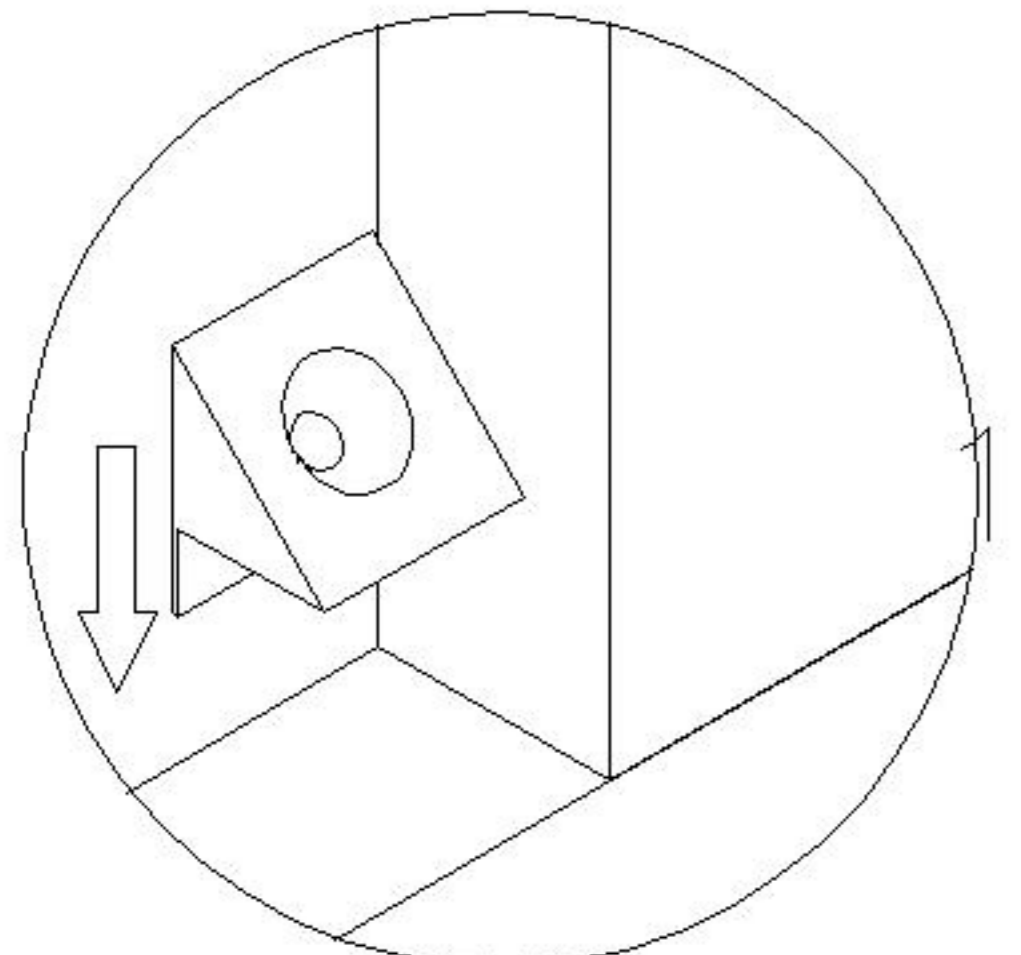


16



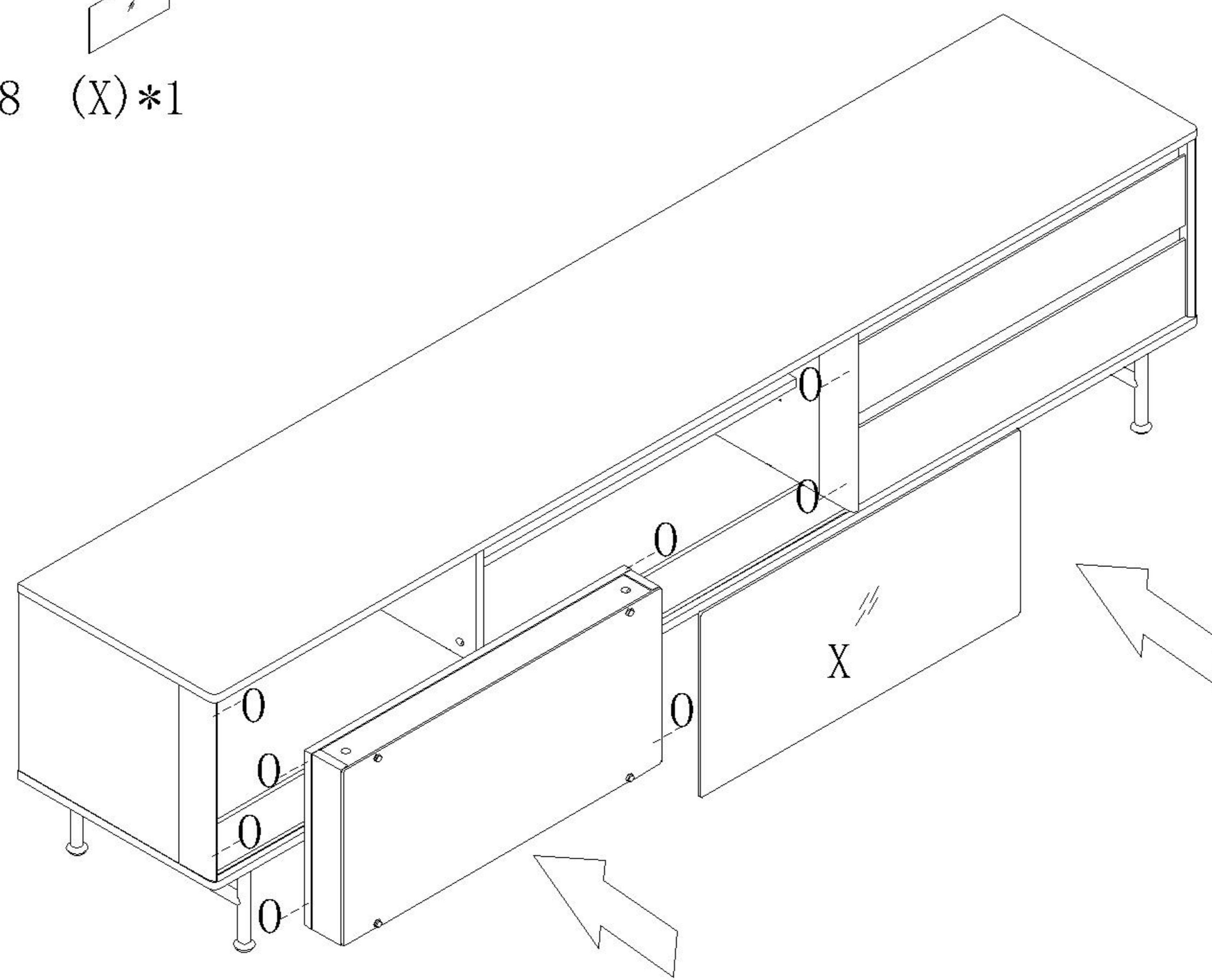
UM2M-A 2m

安装方法/
Installation method



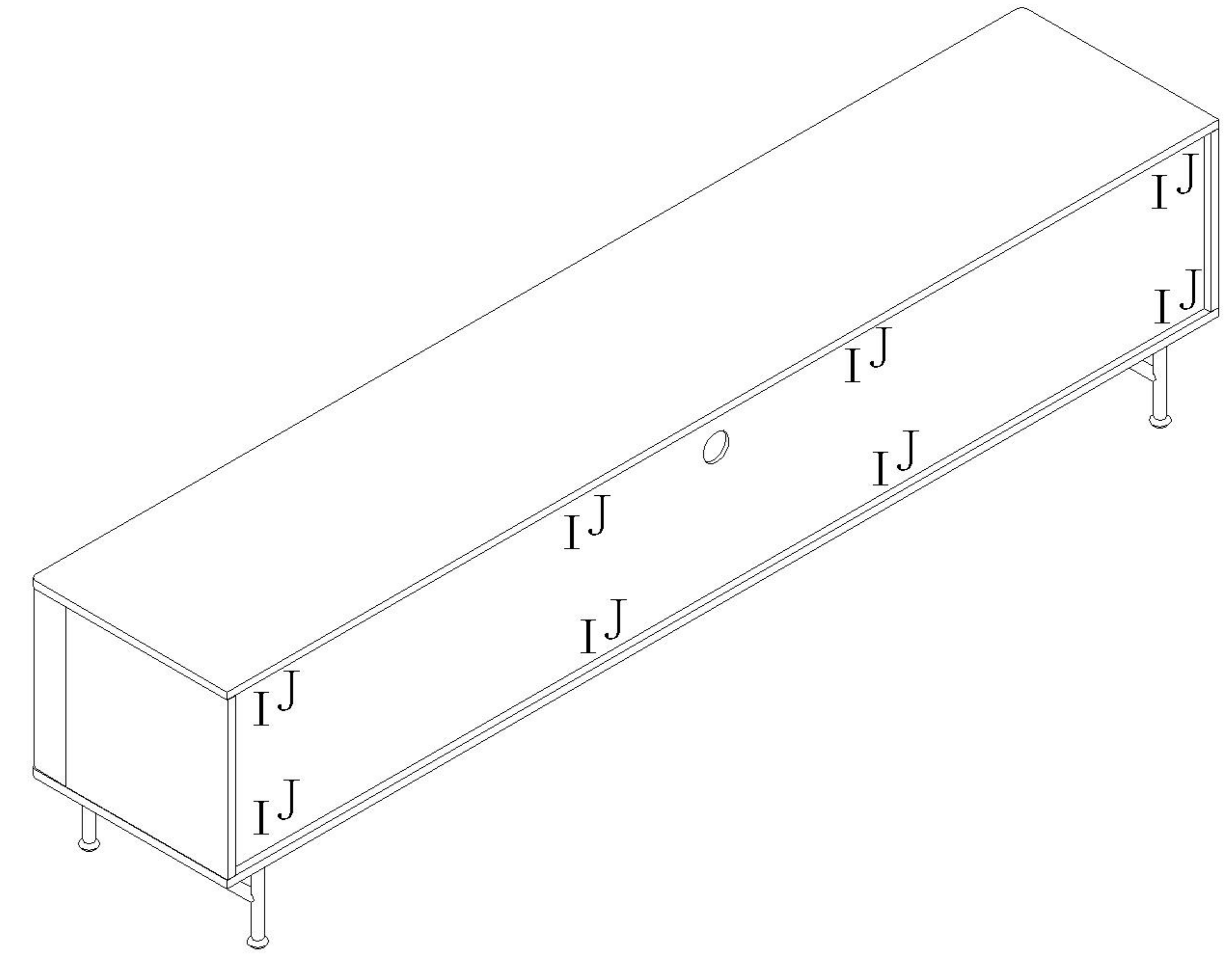
背板扣
Back Plate Buckle-White

(O)*8 (X)*1



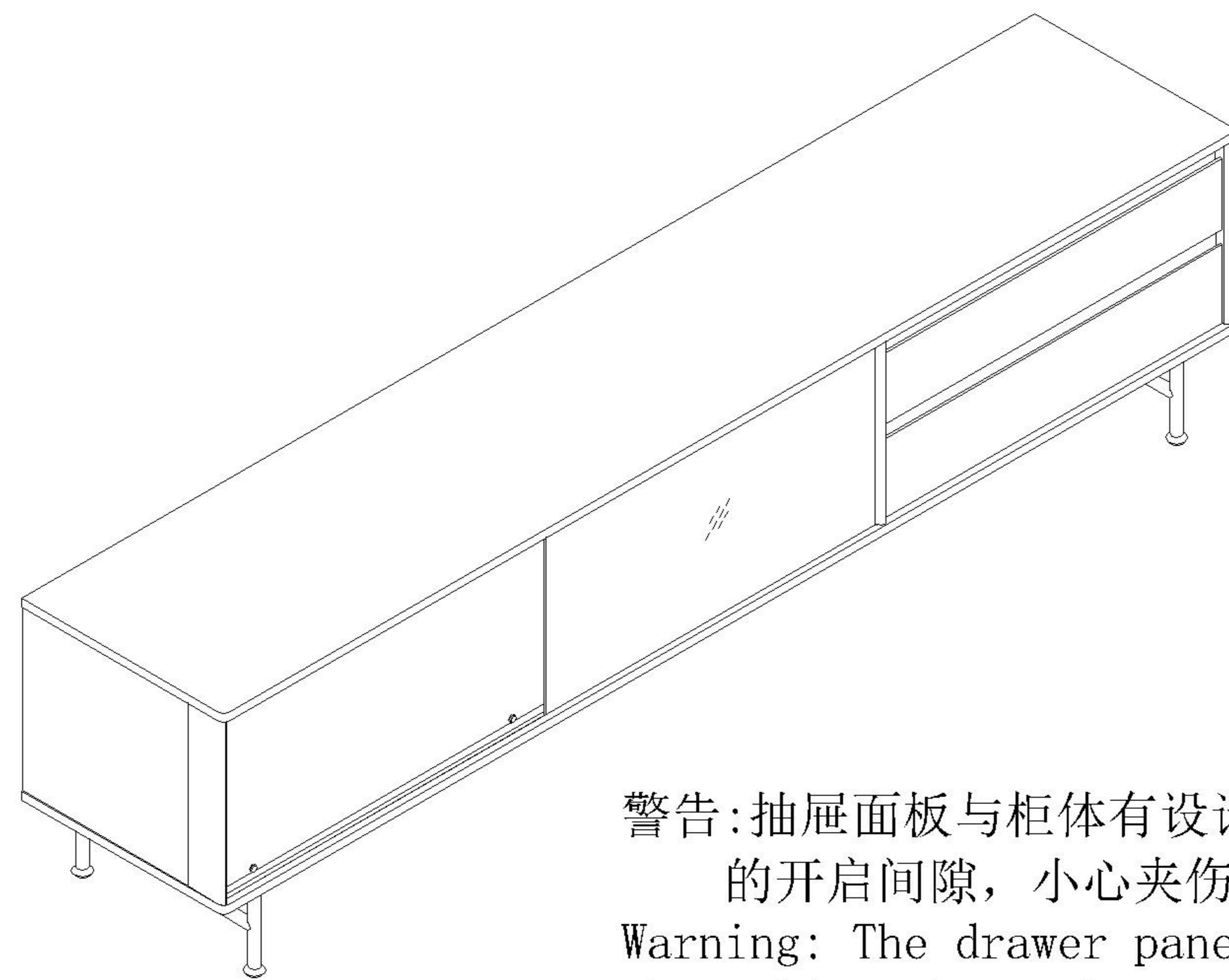
17

(I)*8
(J)*8



18

19



警告: 抽屉面板与柜体有设计所需的开启间隙, 小心夹伤
Warning: The drawer panel and the cabinet have the opening gap required by the design, beware of pinching