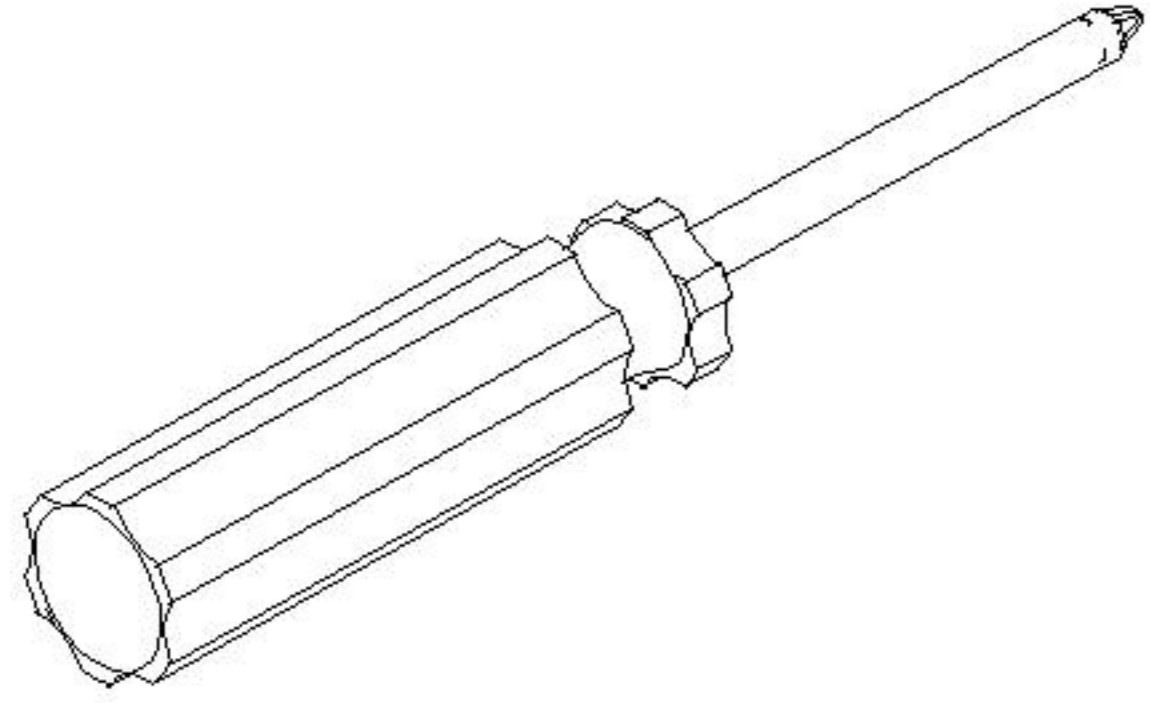
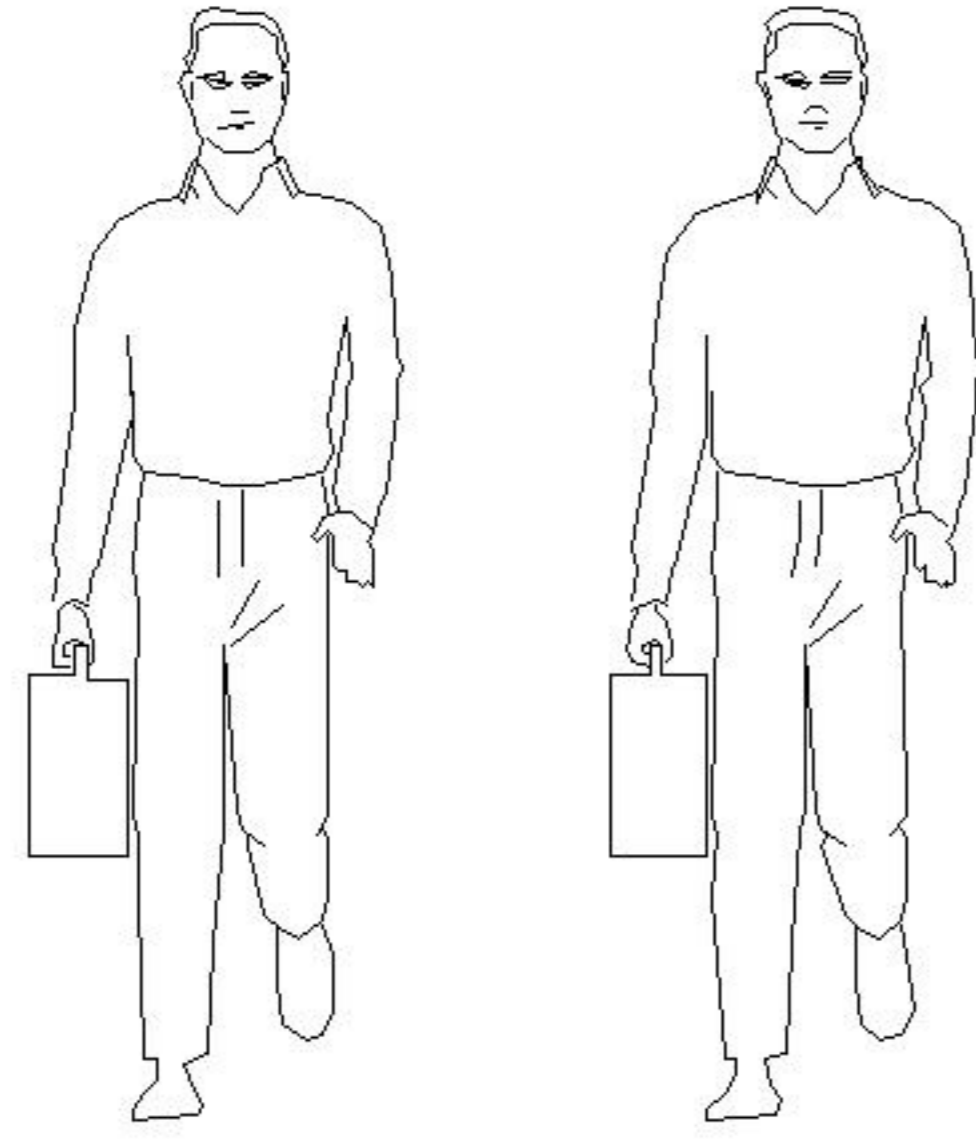
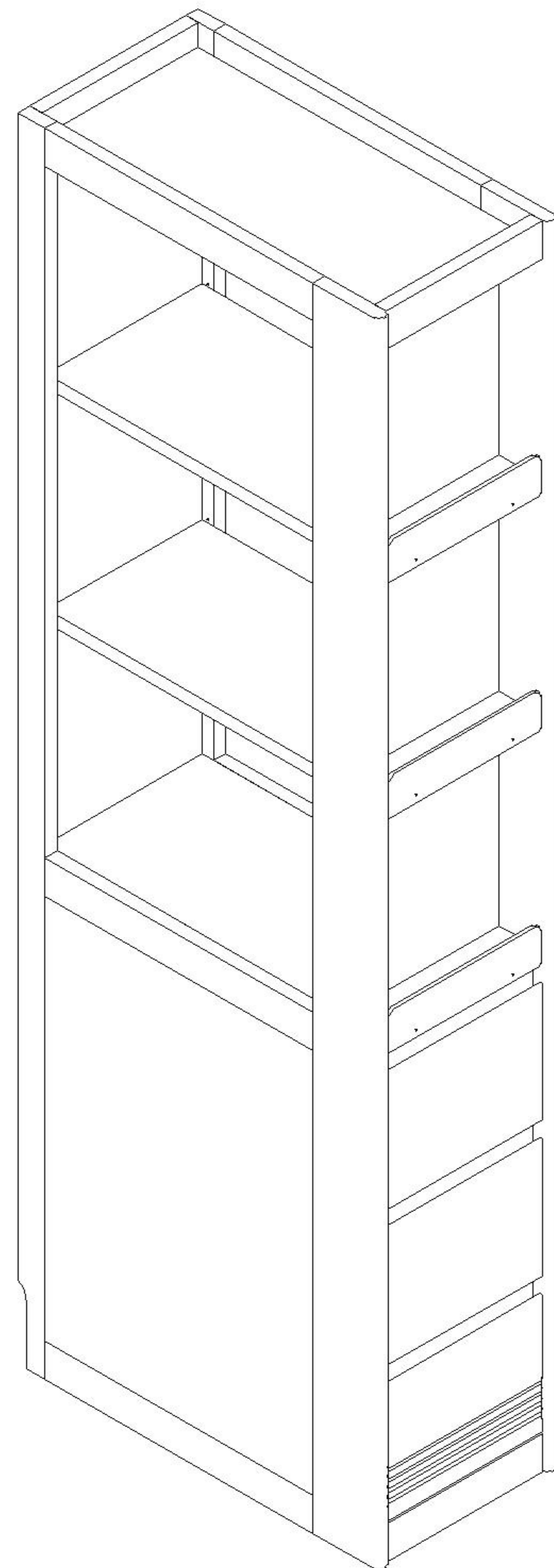
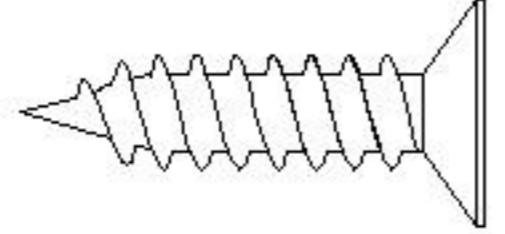
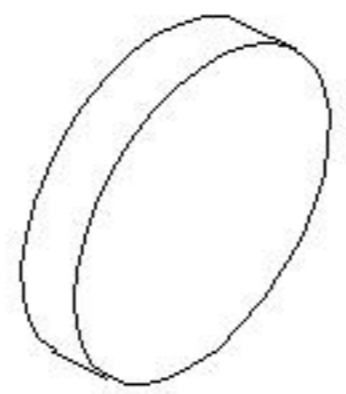
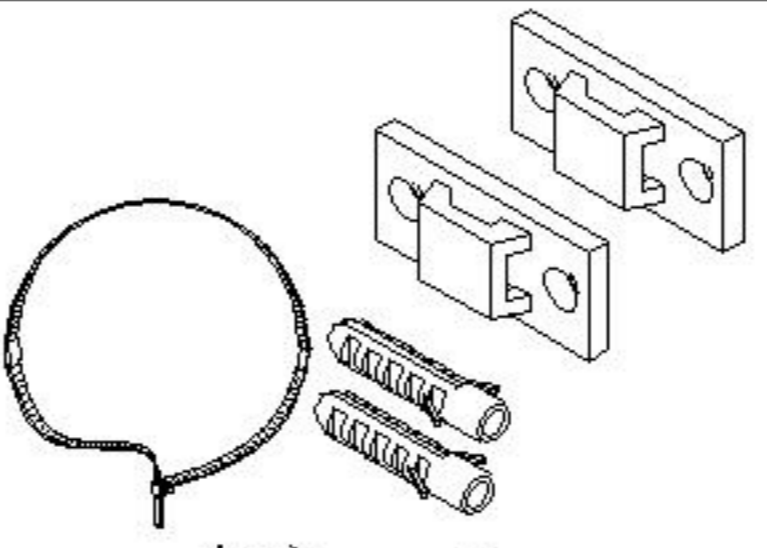
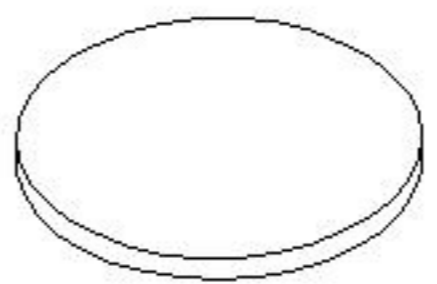
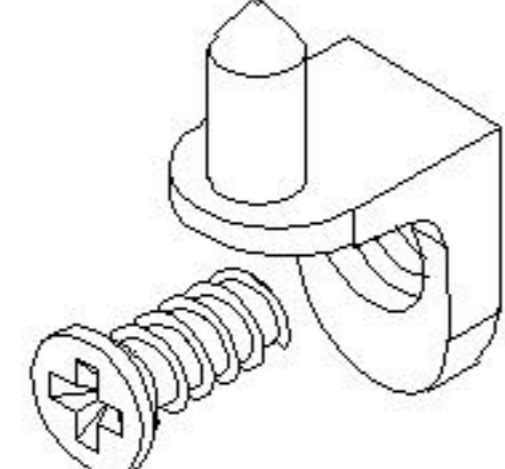
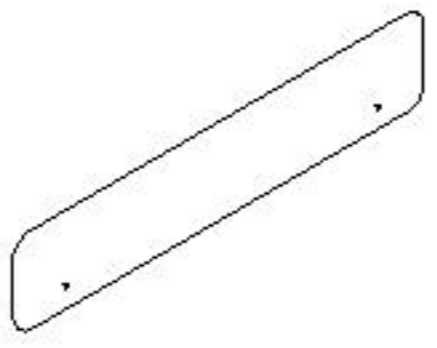
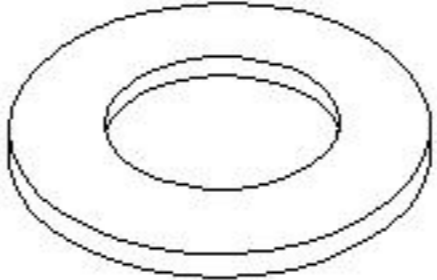


安装示意图/Assembly Instruction

产品名称 Model NO.	LH261E2-A
产品规格 Specification	300*600*1803mm
安装工具 Tool	安装人数 Installer
	

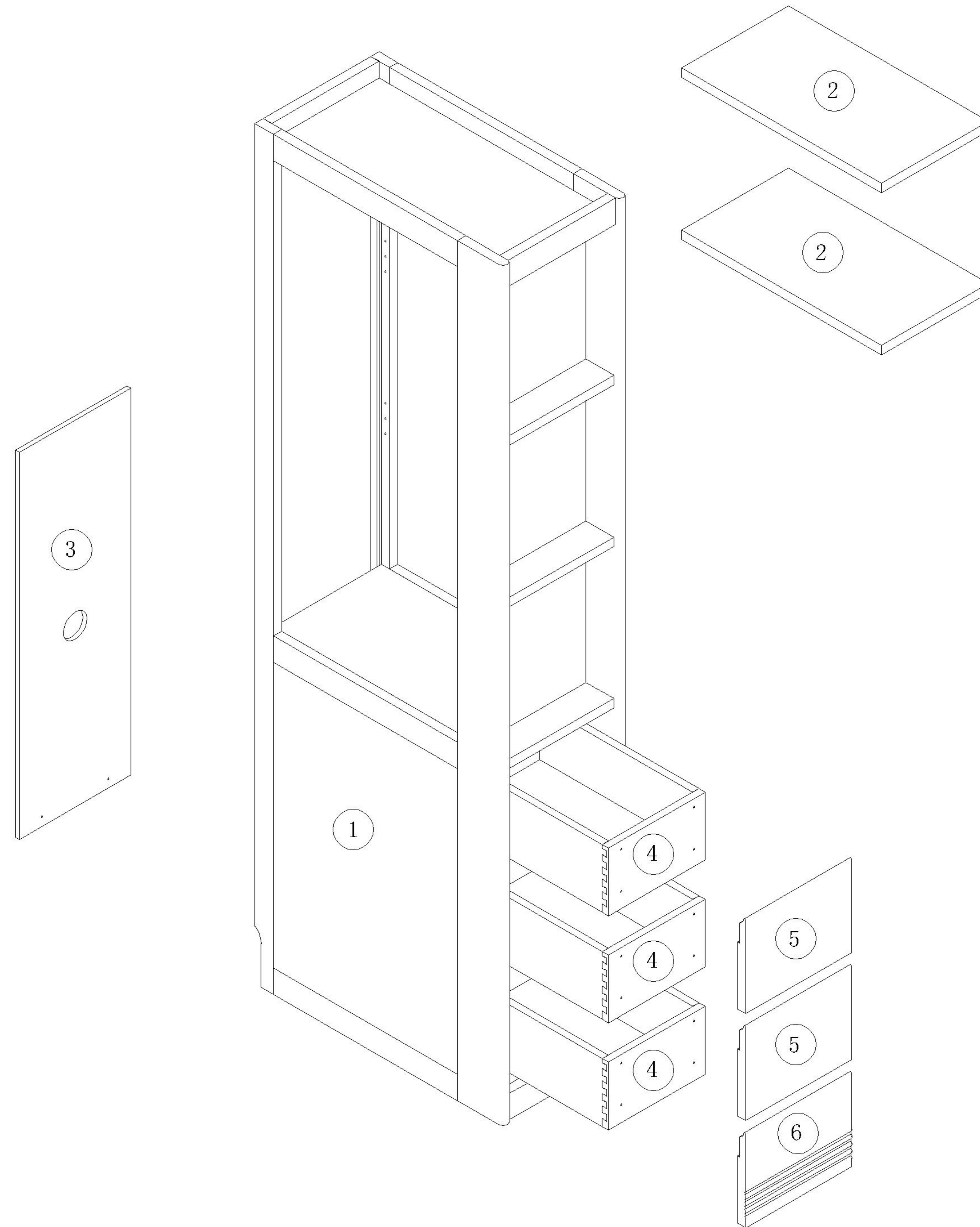
注：为保证设计效果，部分尺寸为定制尺寸，不影响使用。



 (A)* 6 自攻螺丝M3.5x25mm Self-tapping screw	 (B)* 6 镜钉 Mirror nail	 (C)* 2 家具防倒器-白色 Anti-fall device white	 (D)* 10 脚垫-灰色 Footrest - Grey
 (E)* 8 层板托 shelf support	 (F)* 3 层板玻璃 Laminated glass	 (G)* 6 塑料垫片 Plastic gasket	

编号NO.	名称Name	规格(MM) Specification	数量QTY	材质Material
①	整装柜子Packaged cabinet	300*600*1803	1	红橡木+桐木 Red oak+paulownia
②	活动层板Movable shelf	483*259*20	2	红橡木 Red oak
③	下背板Lower back board	723*270*9	1	桐木 paulownia
④	抽屉组立Drawer assembly	400*234*142	3	桐木 paulownia
⑤	上抽屉面板Upper drawer's panel	256*197*20	2	红橡木 Red oak
⑥	下抽屉面板Bottom drawer's panel	256*197*20	1	红橡木 Red oak

编号NO.	名称Name
①	整装柜子Packaged cabinet
②	活动层板Movable shelf
③	下背板Lower back board
④	抽屉组立Drawer assembly
⑤	上抽屉面板Upper drawer's panel
⑥	下抽屉面板Bottom drawer's panel



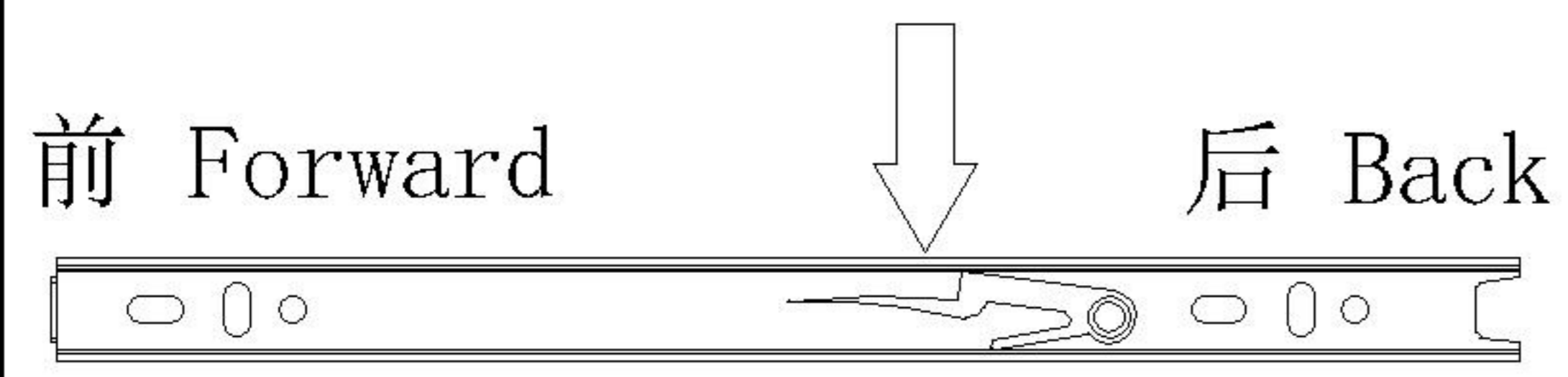
LH261E2-A

安装方法/

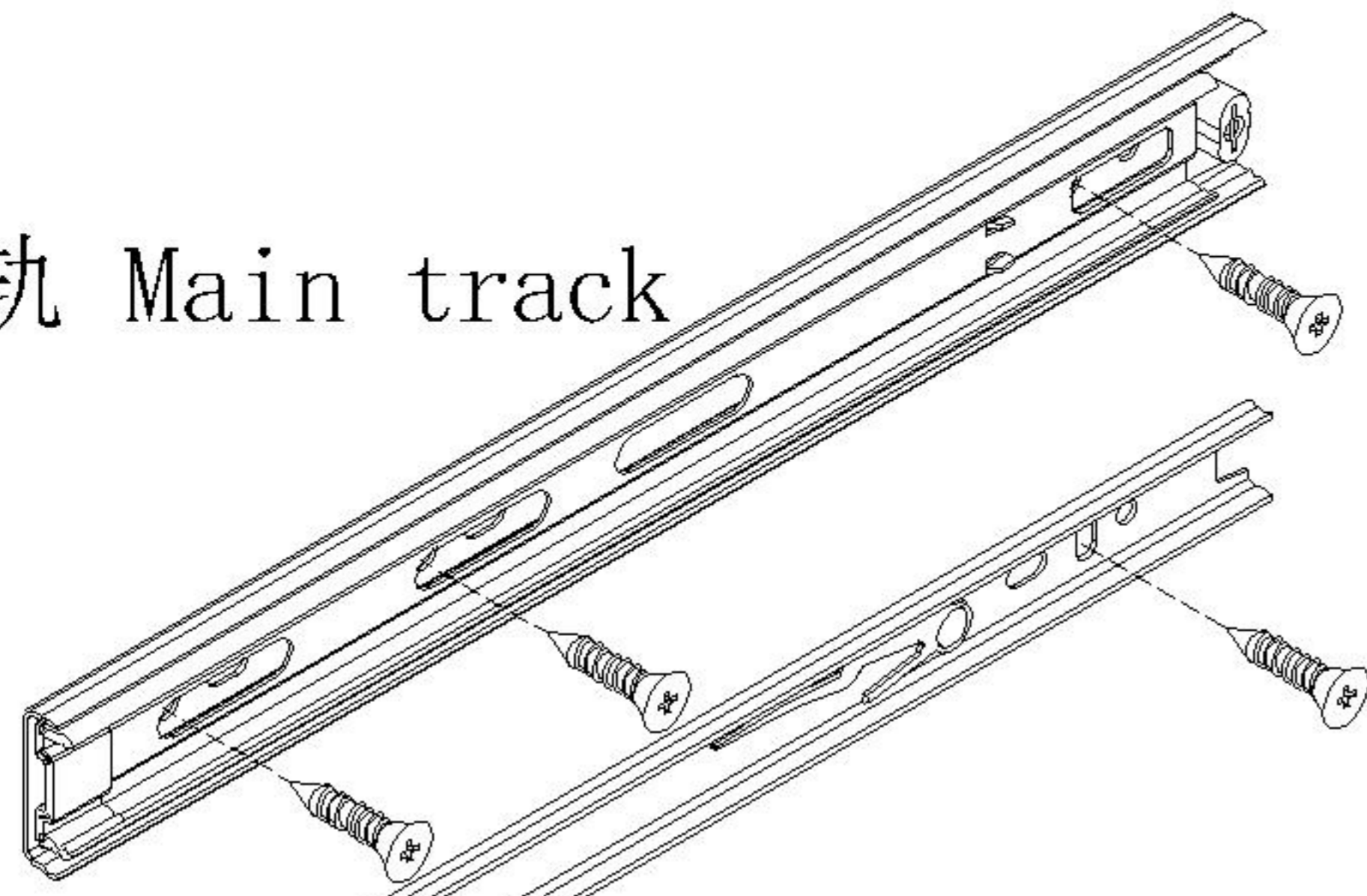
Installation method

阀门开关(下压为开)

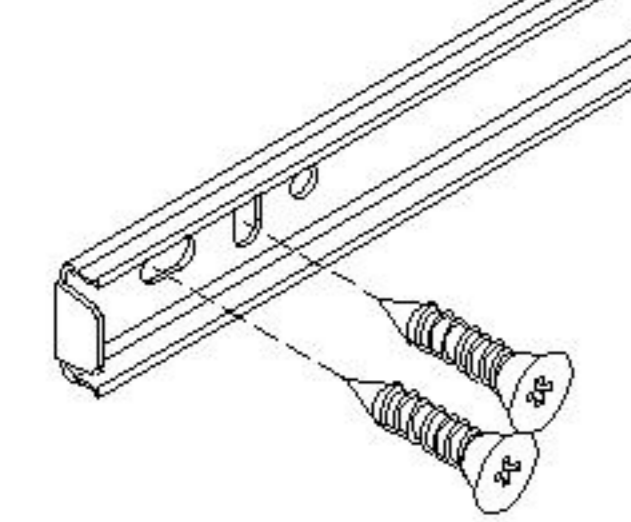
Valve switch (press down to open)



主轨 Main track



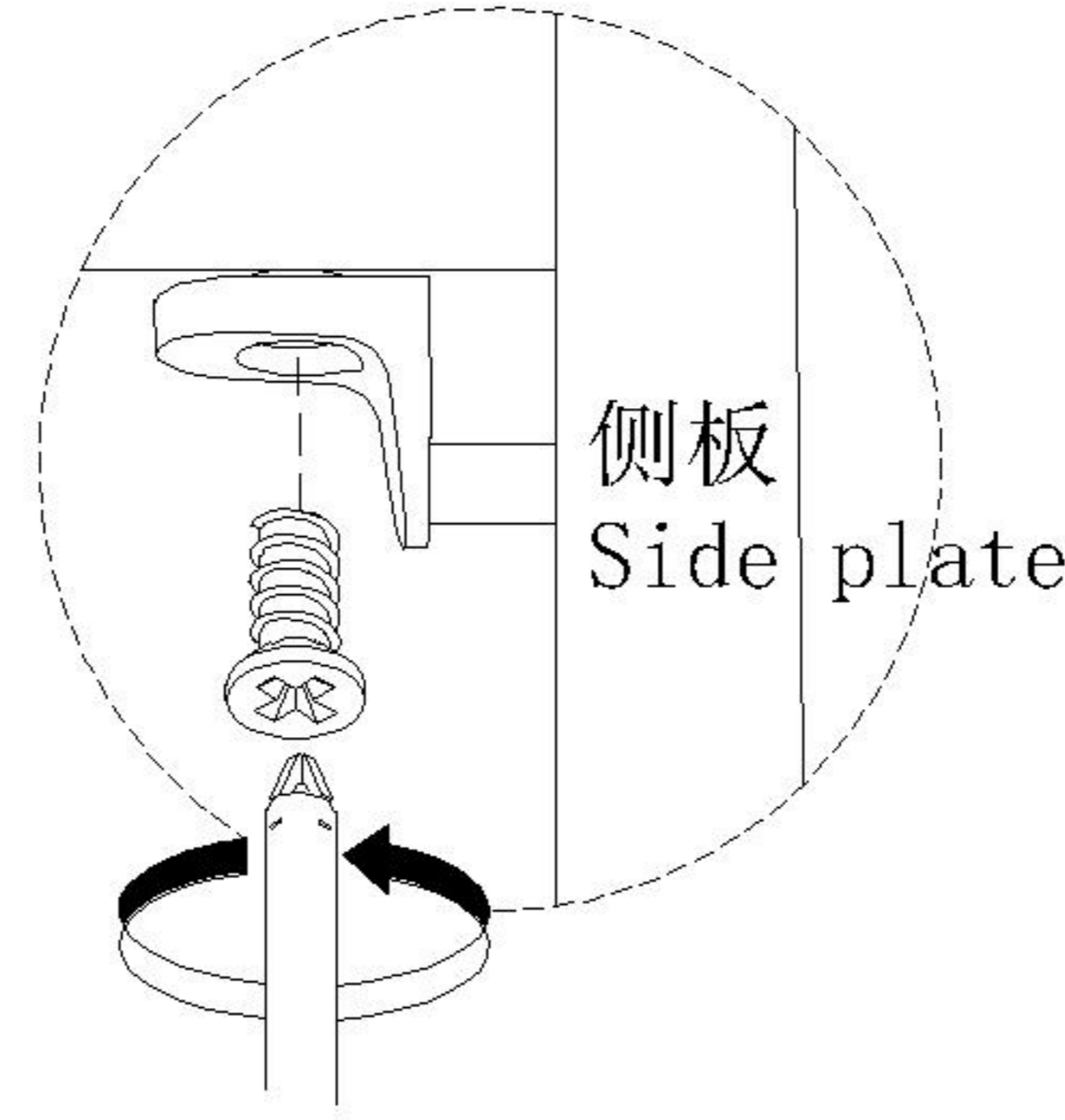
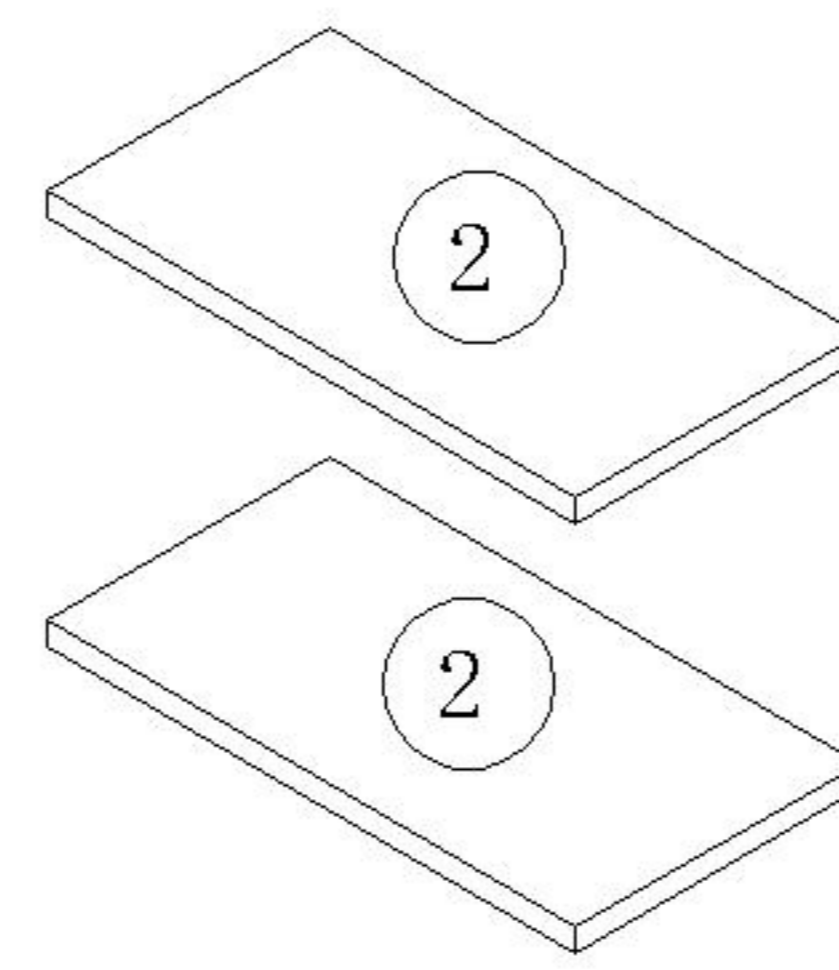
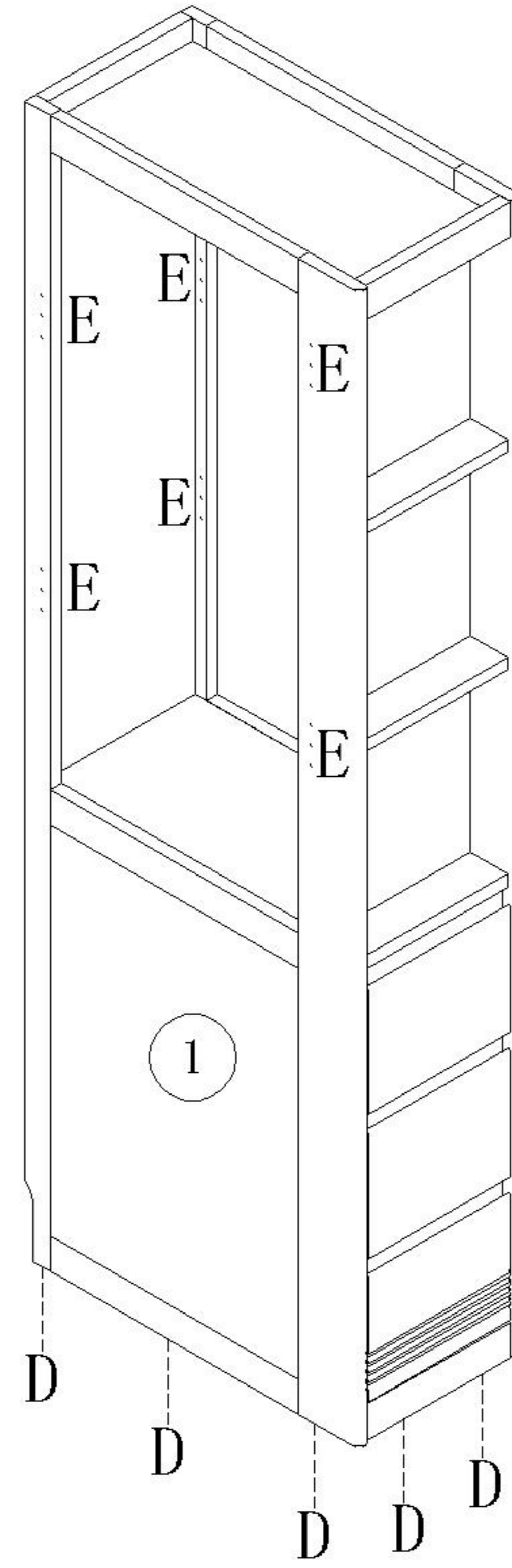
副轨 Sub track



三节滚珠导轨
Three-section rail

(E)*8

(D)*10



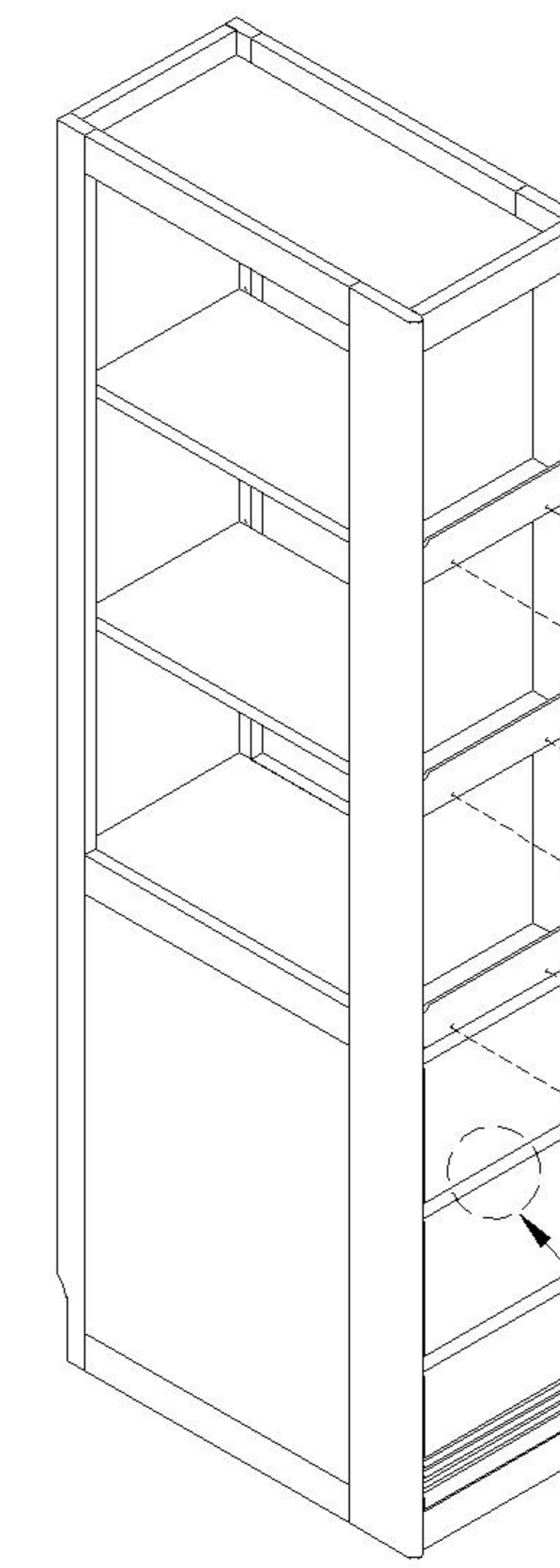
1

(A)*6

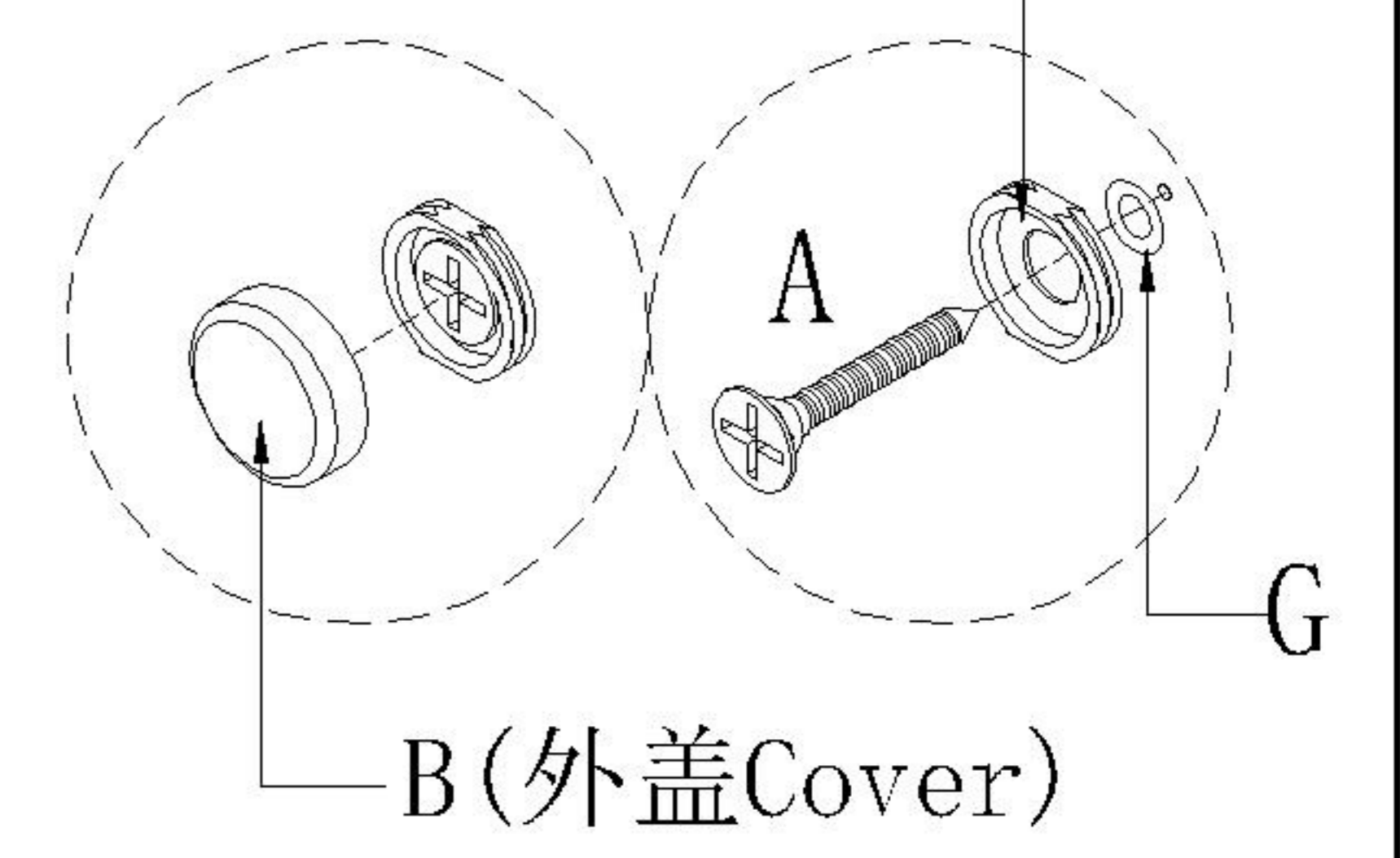
(B)*6

(F)*3

(G)*6



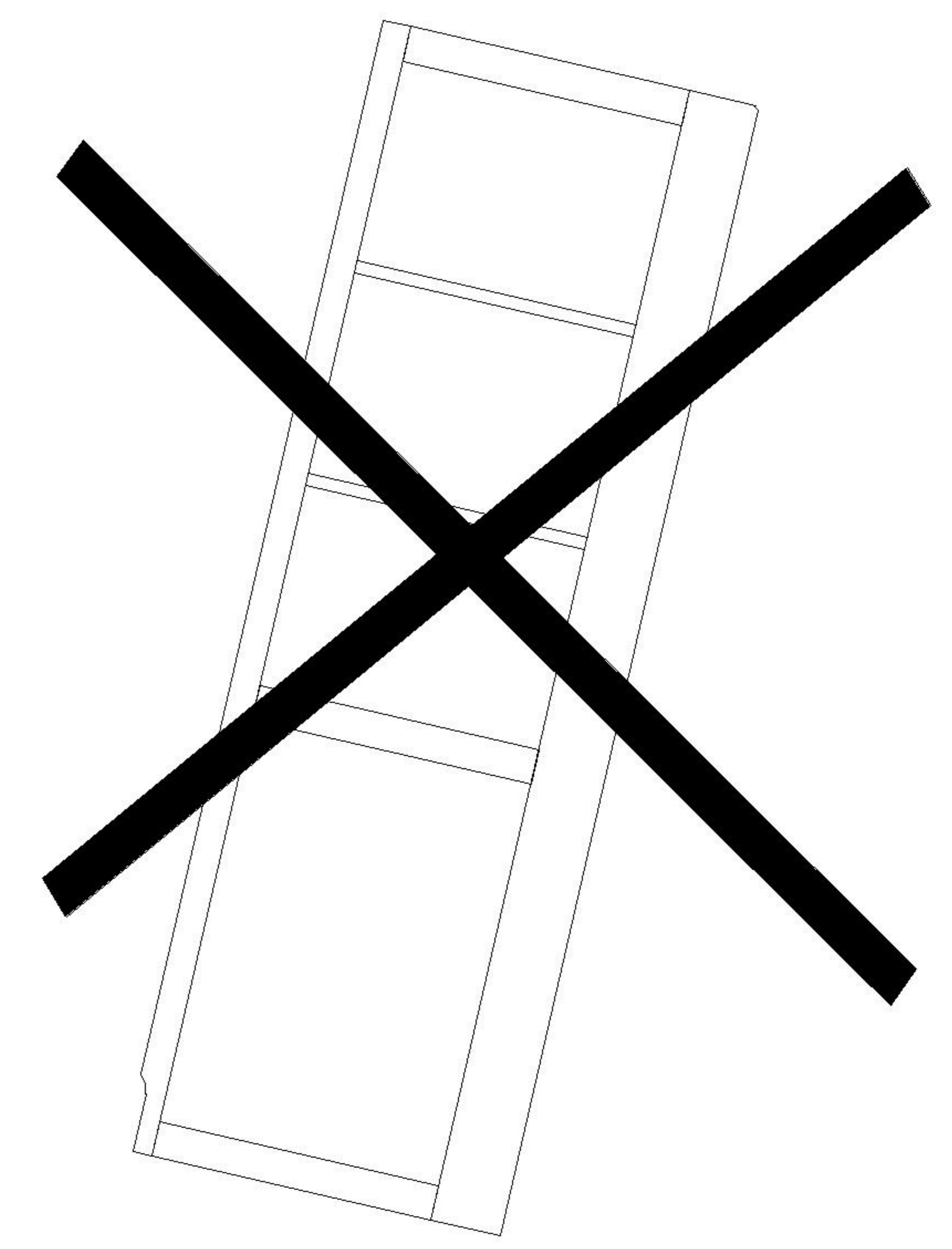
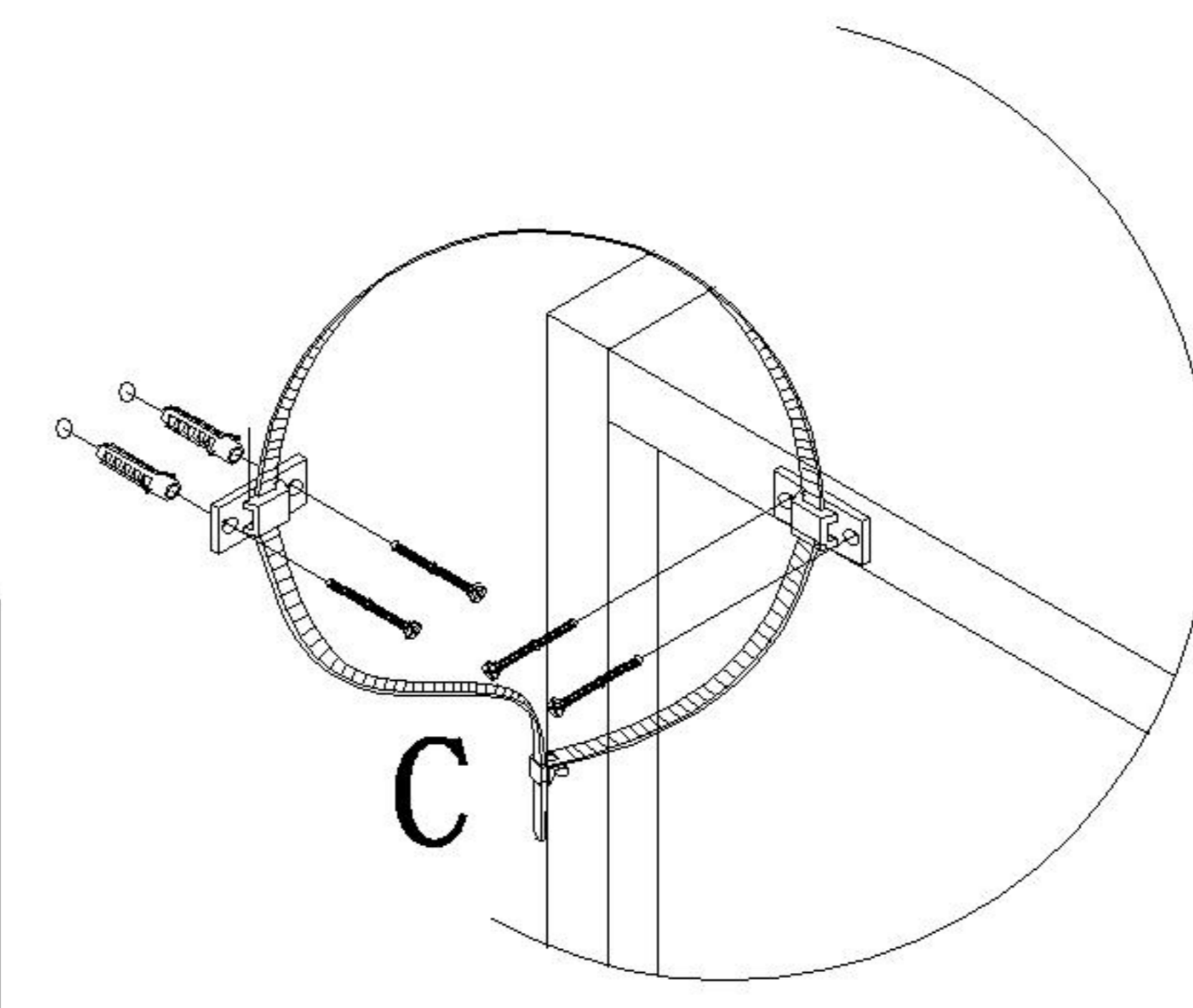
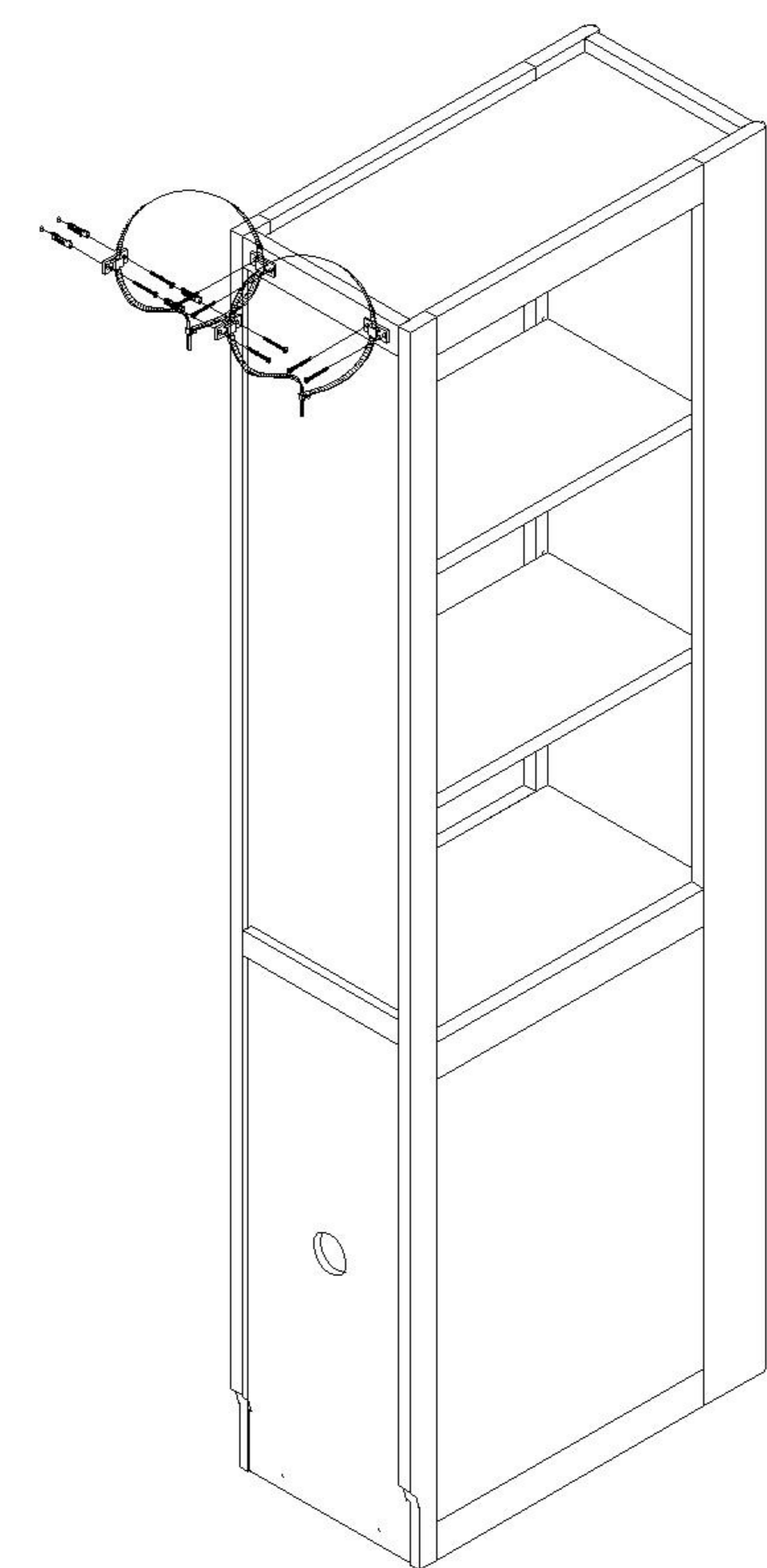
B(内盖inner cover)



此处缝隙设计为开启抽屉、使用
小心夹伤
The gap here is designed as:
Open drawer and door panel for use
Beware of pinching

2

(C)*2



3