

# LINSY 林氏家居

## 安装示意图/Assembly Instruction

产品名称 Model NO.	PC218-A	排骨架规格 Ranked bed slat specifications (1440*1960)
产品规格 Specification	1500*2000	
尺寸组合 Combined size	2210*1600*1010mm	

配件表/Accessories list	部件表/Parts List
----------------------	----------------

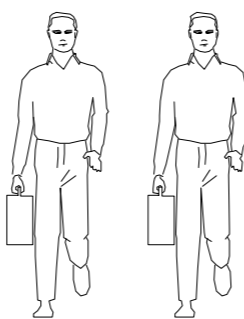
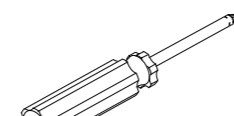
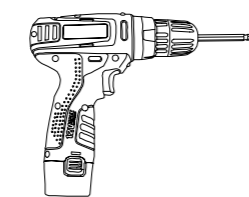
编号 NO.	名称 Name	图示 Icon	数量 QTY	编号 NO.	名称 Name	规格 Specification	数量 QTY	材质 material
A	说明书(含安装图) Mounting Instruction (with drawing)		1	①	床头 The head of a bed	1600*240*1110	1	松木+胶合板+海绵+真皮+人造皮 Pine wood + plywood + sponge + Dermis+Artificial leather
B	M8*20斜边十字螺杆 M8*20 bevel cross bolt		36	②	床侧 Side of the bed	1985*45*225	2	胶合板+海绵+人造皮 plywood + sponge + Artificial leather
C	M8垫片 M8 pad		34	③	床尾 The end of the bed	1540*45*225	1	胶合板+海绵+人造皮 plywood + sponge + Artificial leather
D	角码-(52*52*76mm) 磨砂黑角码 Frosted black corner code		4	④	实木条形排骨架 Solid wood bed slat	1440*1960	1	松木 Pine wood
E	角码-(182*182*41mm) 磨砂黑角码 Frosted black corner code		4					
F	SG-(直径72*40mm)沙发通用小圆脚 SG-(diameter 72*40mm) sofa general small round feet		4					
G	M8*45全牙螺杆 threaded rod M8*45		2					
H	M8*70斜边十字螺杆 M8*70 bevel cross bolt		4					
I	170MM排骨架实木中脚-01 (含M8*15锤母) 170MM solid wood midfoot for slat-01 (including M8*15 hammer head)		4					
J	(290*48*184mm) 枪黑色床垫防滑钩 (290*48*184mm) Gun black mattress non-slip hook		1					
K	排骨架加固条002A1(1975*48*38mm) reinforcement bar for side slat002A1(1975*48*38mm)		2					
O	角码-(30*30*16mm)L型 Angle code -(30*30*16mm)L type		4					
P	M4*16自攻螺丝 M4*16 self tapping screw		8					
Q	M4*40自攻螺丝 M4*40 self tapping screw		4					

制图 Draw C20 Page NO. 页码(3-1)

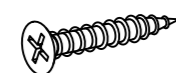
安装工具 Tool 安装人数 Installer

实木条形排骨架配套配件  
Solid wood strip frame supporting accessories

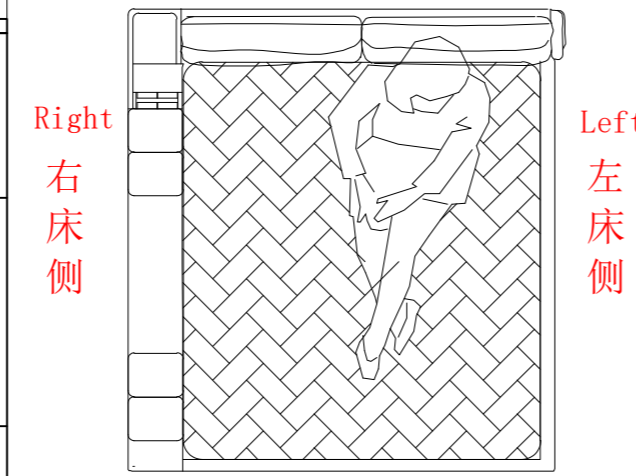
充电式手电钻 或者 十字螺丝刀  
Cordless hand drill  
Phillips screwdriver



M4\*30自攻螺丝=17  
M4\*30 self tapping screw=17



如何区分床的左右方向?  
How to distinguish the left and right directions of the bed?



人躺在床上,分左右方向  
Lie on the bed, facing left and right  
(图示仅供分辨方向用)

图1: 脚安装示意图  
Figure 1: Foot installation diagram

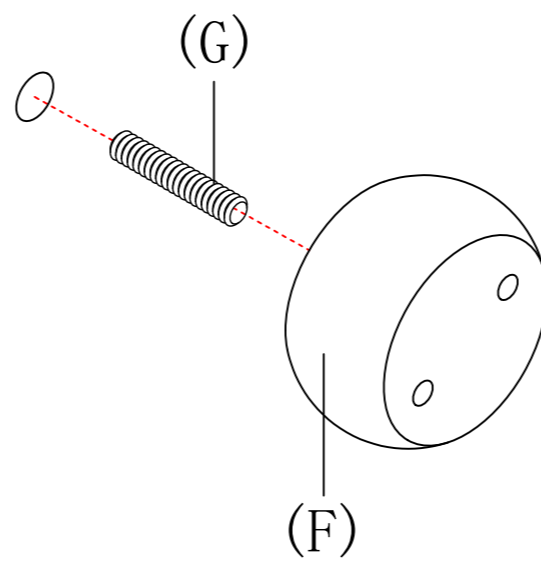


图2: 角码安装示意图  
Figure 2: Schematic diagram of corner code installation

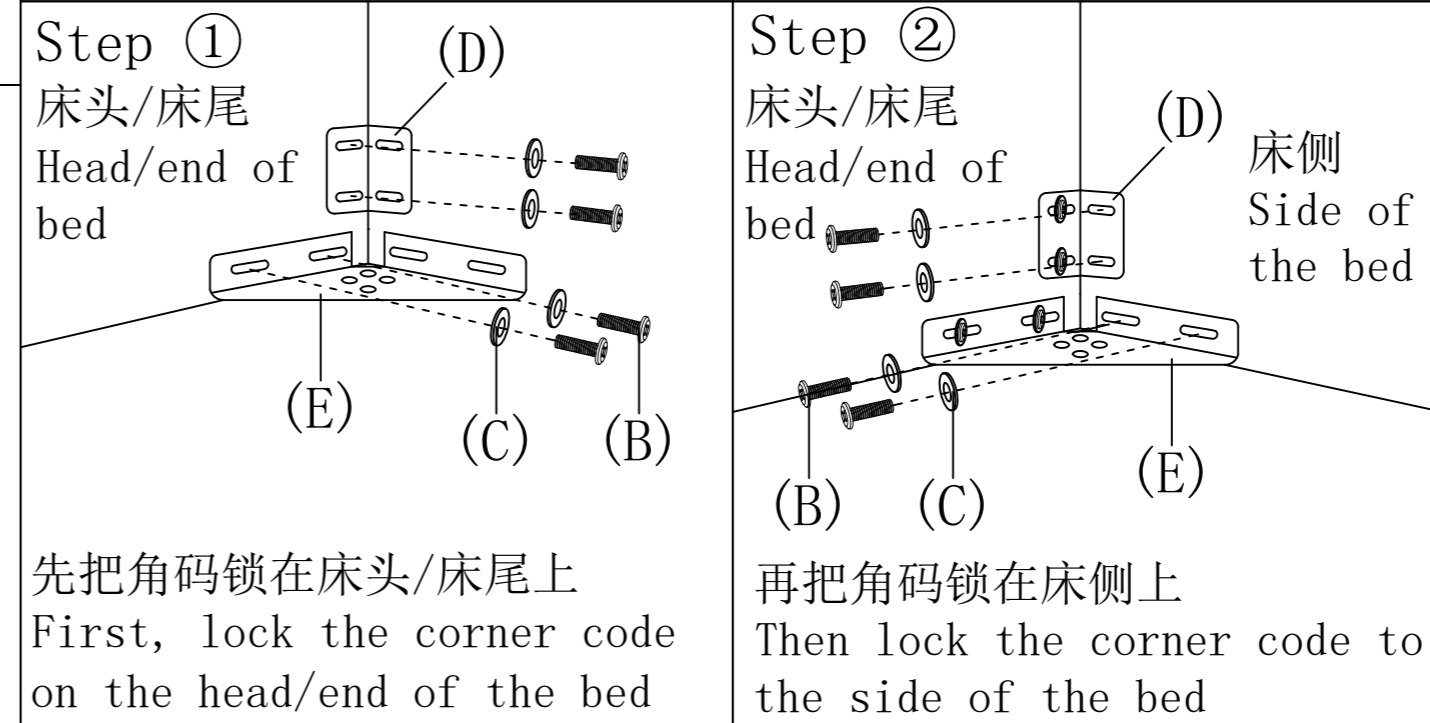
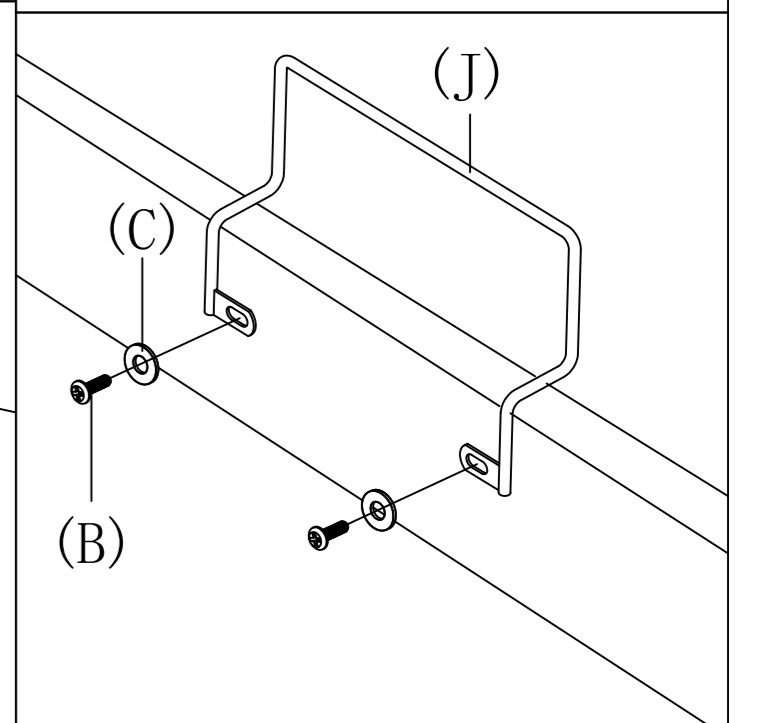


图3: 床垫防滑钩安装示意图  
Figure 3: Installation diagram of mattress anti-skid hook



### STEP 1:

图4: 床尾脚安装示意图  
Figure 4: Bed foot installation diagram

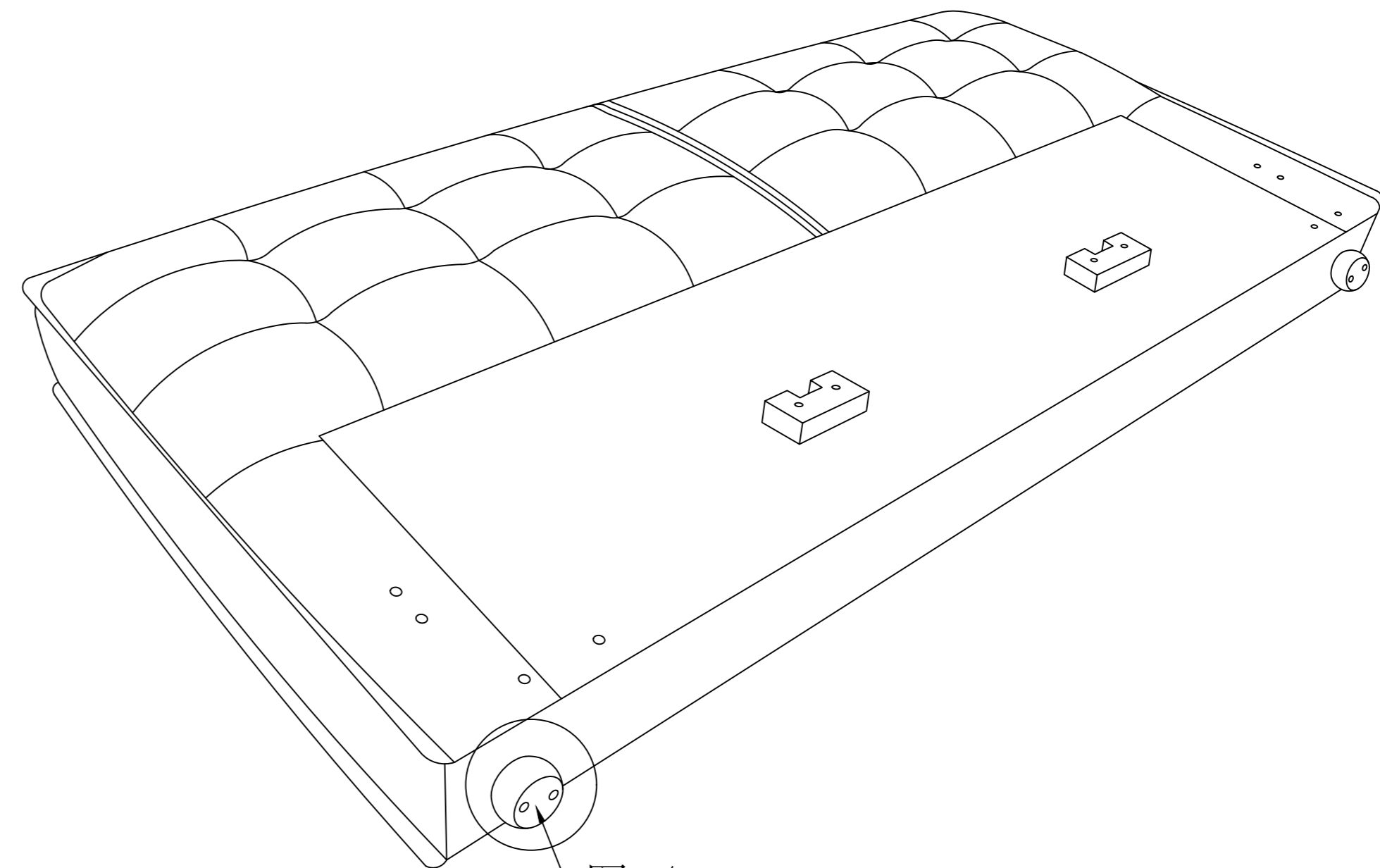
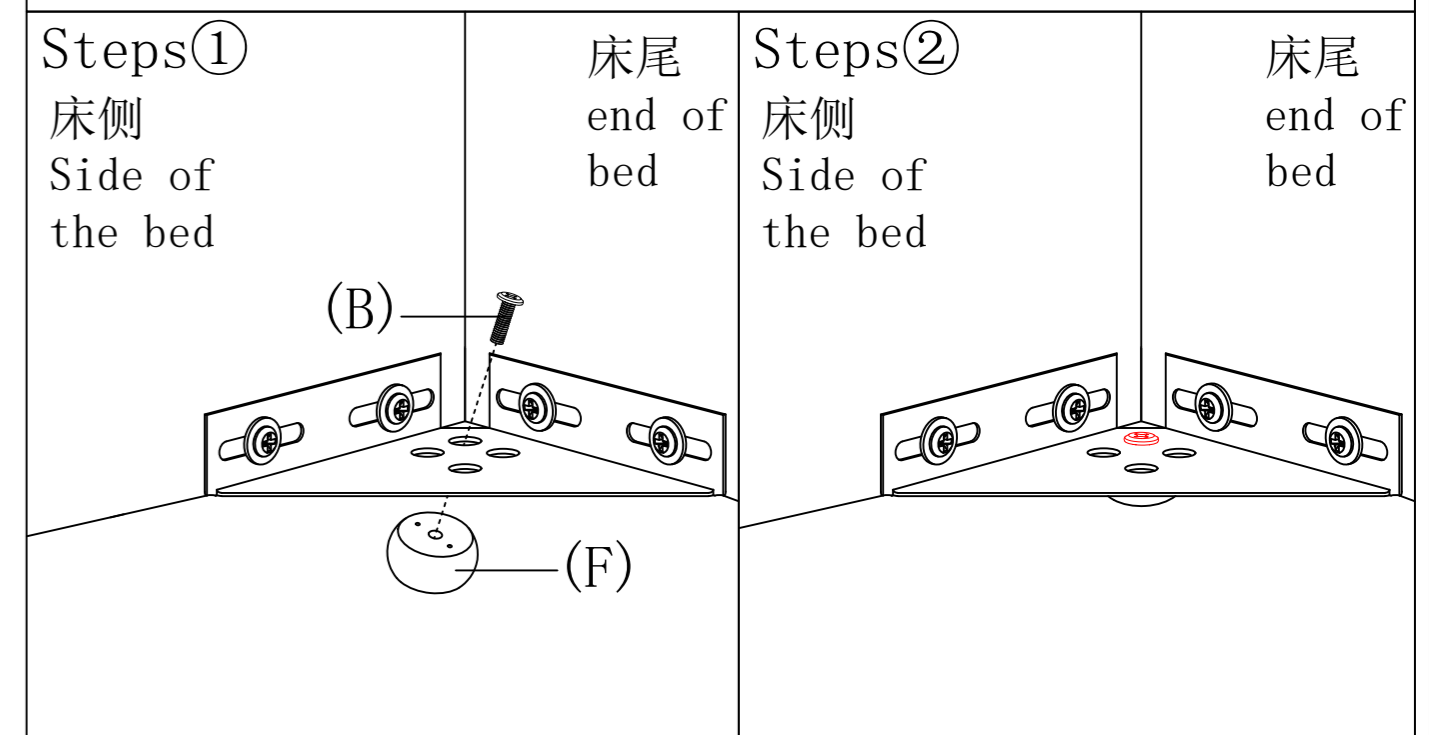
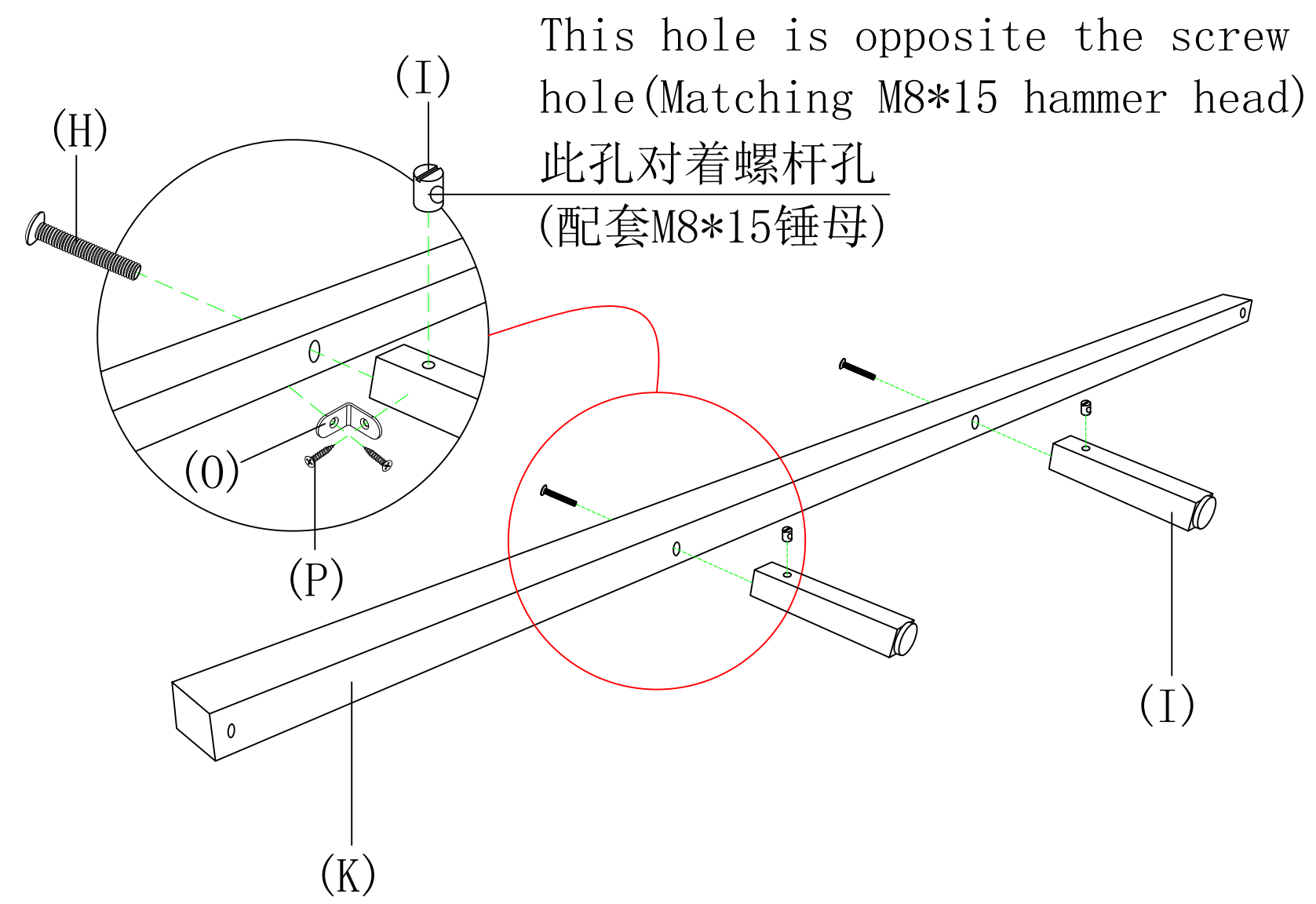
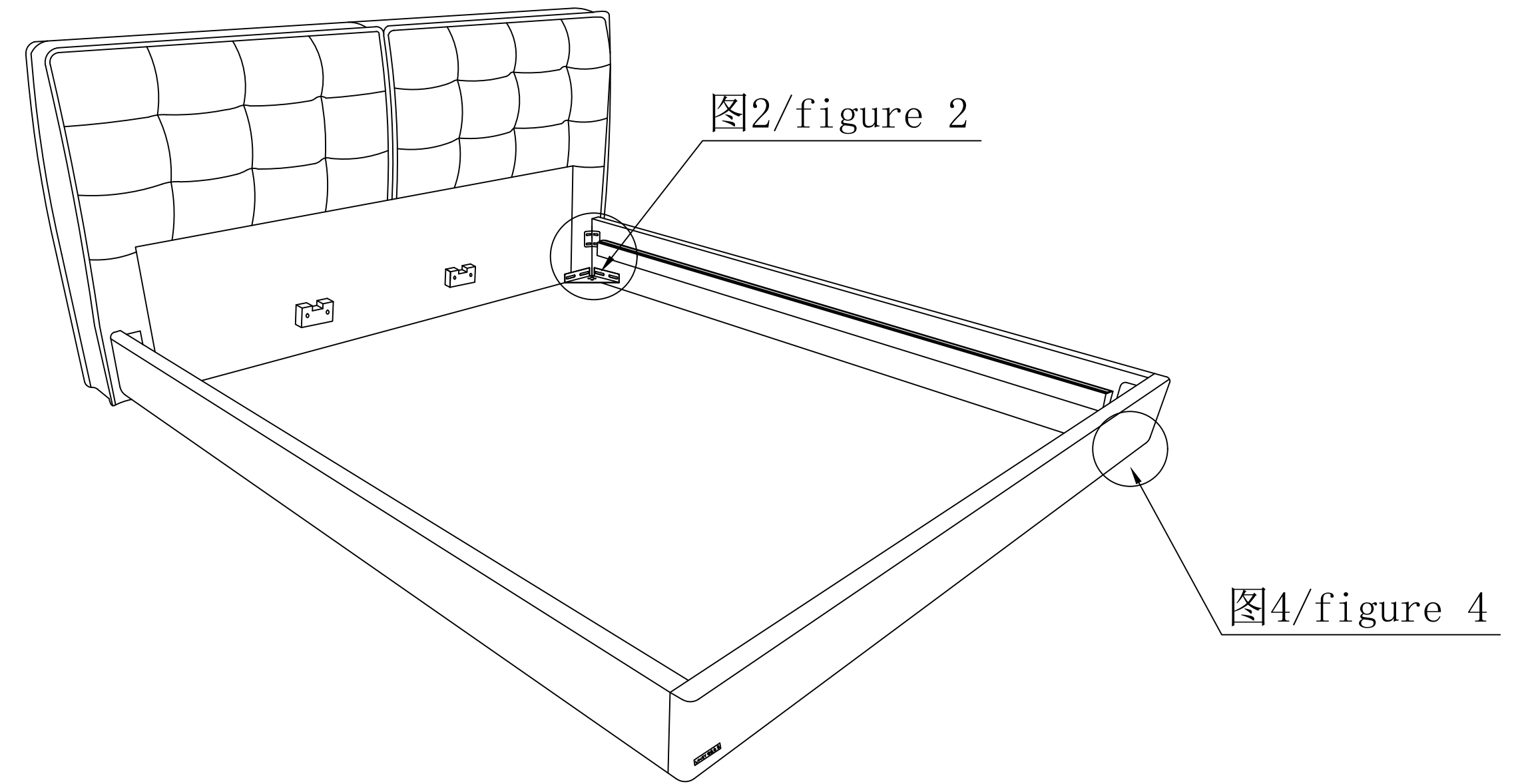


图1/figure 1

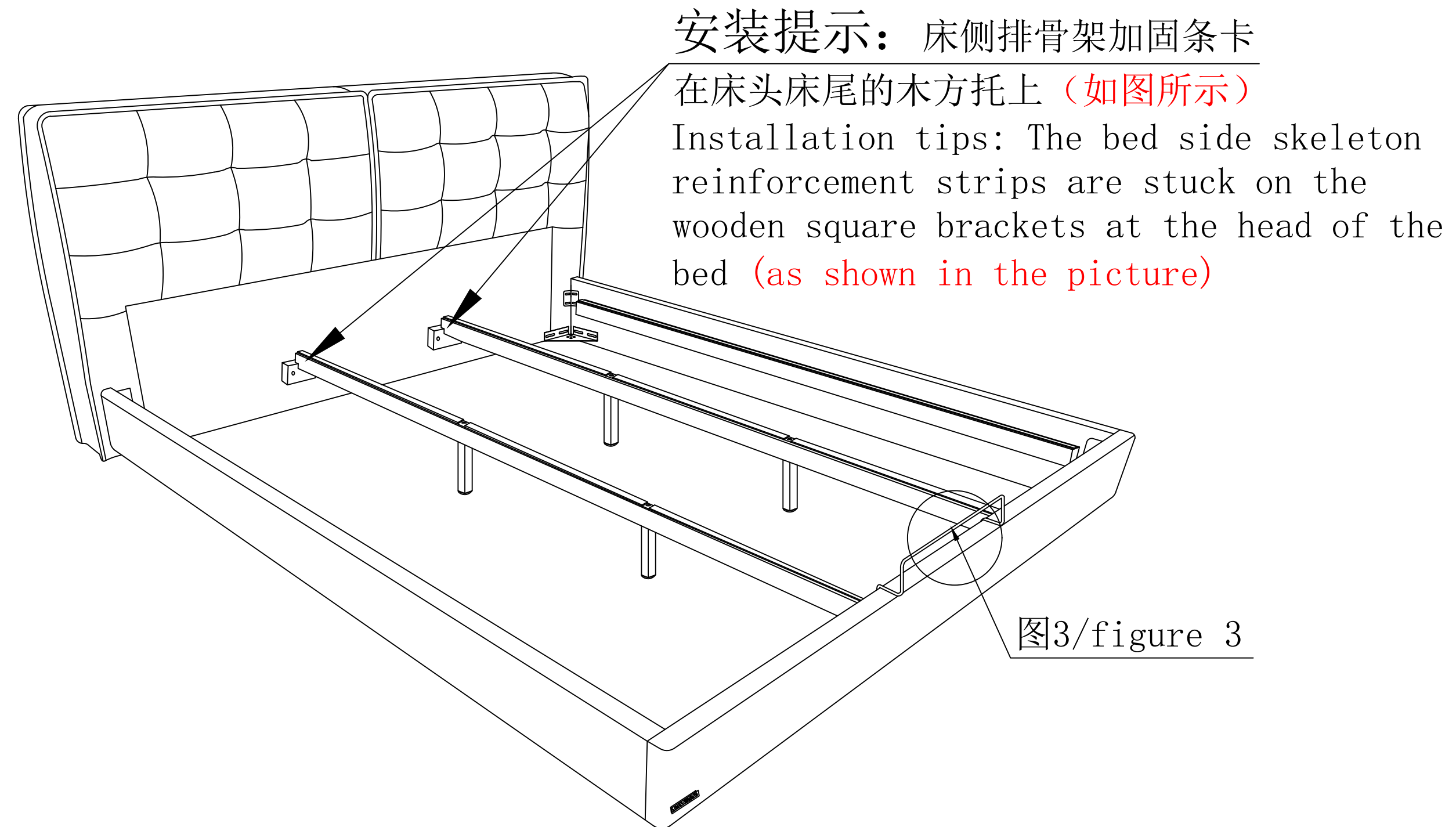
STEP 2:



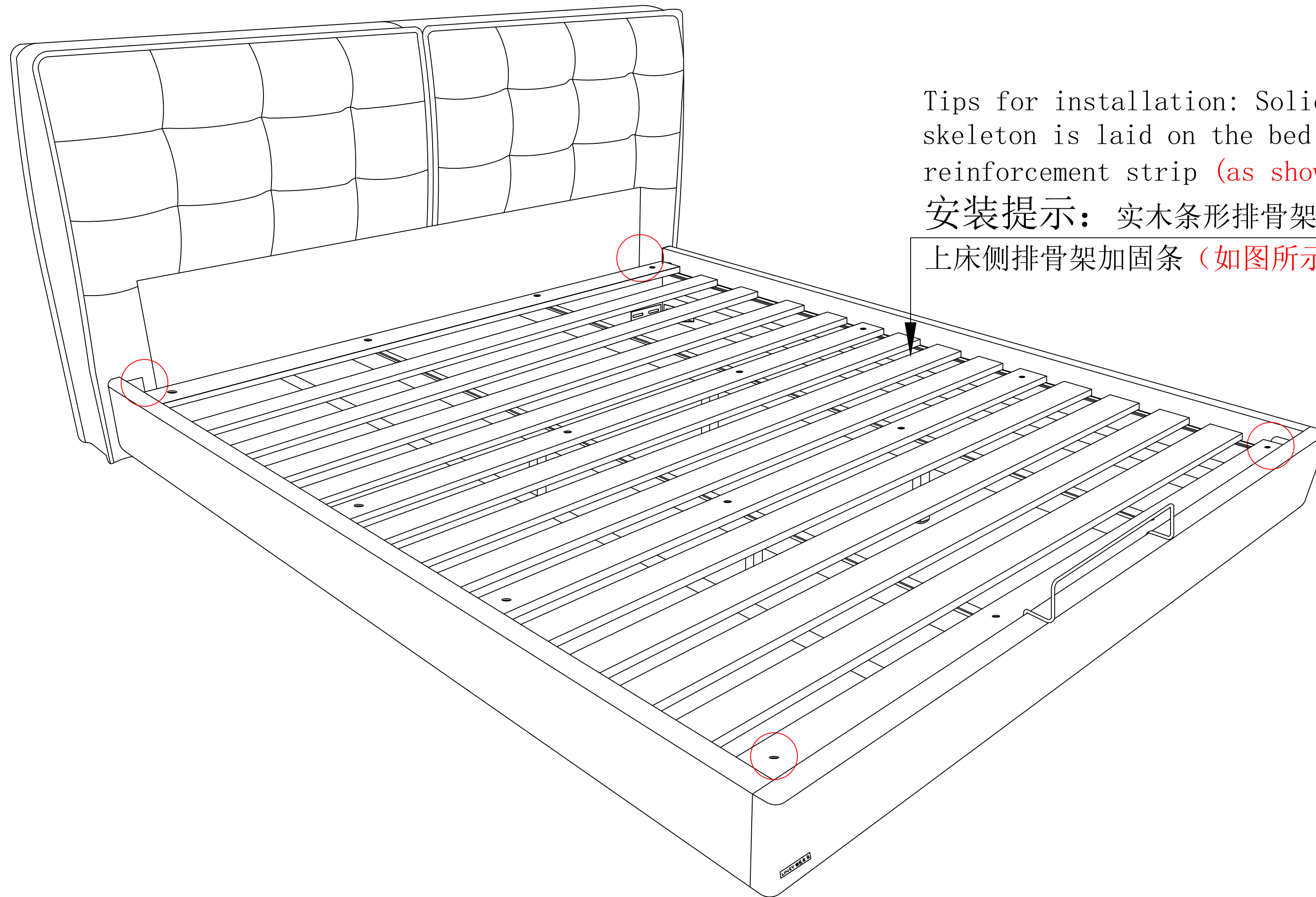
STEP 3:



STEP 4:



## STEP 5:



Tips for installation: Solid wood strip skeleton is laid on the bed side skeleton reinforcement strip (as shown in the figure)

安装提示：实木条形排骨架铺上床侧排骨架加固条（如图所示）

## 注：

- 1、用M4\*30自攻螺丝\*12按孔位固定实木条形排骨架。
- 2、实木条形排骨架四角无需用M4\*30自攻螺丝固定。
- 3、自攻螺丝固定实木条形排骨架步骤可选装可不装。

## Note:

1. Use M4\*30 self-tapping screws \*12 to fix the solid wood strip row frame according to the hole position.
- 2, solid wood strip row frame four corners without M4\*30 self tapping screws fixed.
- 3, self-tapping screws fixed solid wood strip row skeleton steps optional installation.