

# LINSY 林氏家居

## 安装示意图/Assembly Instruction

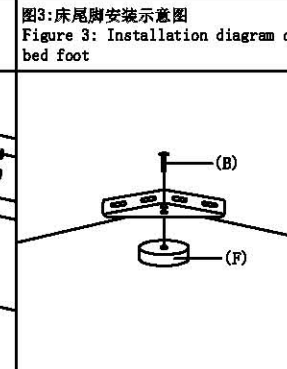
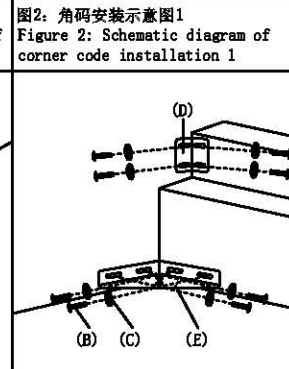
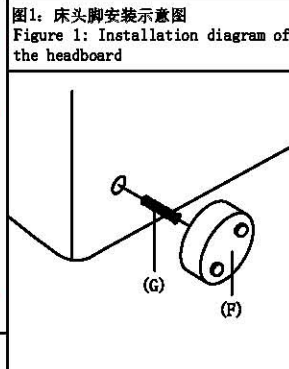
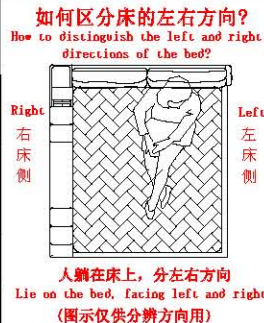
|                    |                  |  |
|--------------------|------------------|--|
| 产品名称 Model NO.     | BC669-A#         | 排骨架规格<br>Ranked bed slat specifications<br>(2000*1807) |
| 产品规格 Specification | 1800*2000        |  |
| 尺寸组合 Combined size | 2300*1960*1070mm |  |

### 配件表/Accessories list

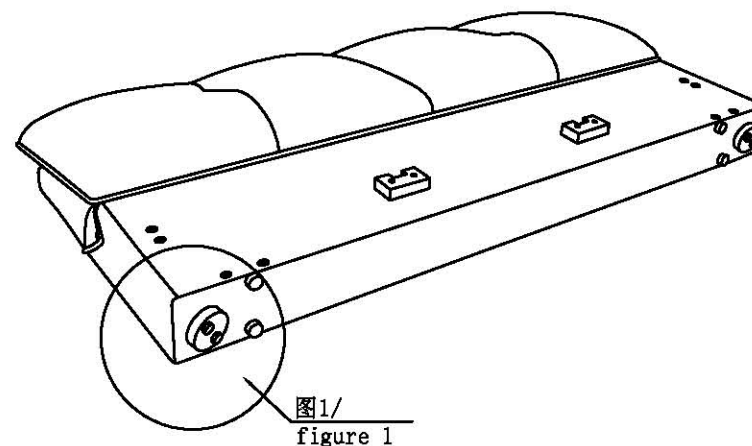
| 编号 NO. | 名称 Name  | 图示 Icon | 数量 QTY | 编号 NO. | 名称 Name                        | 规格 Specification | 数量 QTY | 材质 material   |
|--------|--|---------|--------|--------|--------------------------------|------------------|--------|---|
| A      | 说明书(含安装图)<br>Mounting Instruction<br>(with drawing)  |         | 1      | ①      | 床头<br>The head of a bed        | 1960*320*1070    | 1      | 松木+胶合板+海绵+人造皮<br>Pine wood + Plywood +<br>Sponge + Artificial leather |
| B      | M8*20斜边十字螺栓<br>M8*20 bevel cross bolt  |         | 34     | ②      | 床侧<br>Side of the bed          | 2020*280*110     | 2      | 松木+胶合板+海绵+人造皮<br>Pine wood + Plywood +<br>Sponge + Artificial leather |
| C      | M8垫片 M8 pad  |         | 32     | ③      | 床尾<br>The end of the bed       | 1900*280*65      | 1      | 松木+胶合板+海绵+人造皮<br>Pine wood + Plywood +<br>Sponge + Artificial leather |
| D      | 角码-(76*51*51mm)3号-01<br>Corner code -(76*51*51mm) No. 3-01   |         | 4      | ④      | 实木条形排骨架<br>Solid wood bed slat | 2000*1807        | 1      | 松木<br>Pine wood   |
| E      | 角码-(175*175*40mm)1号-01<br>Corner code -(175*175*40mm) No. 1-01   |         | 4      |        |                                |                  |        |   |
| F      | 脚-(直径70*30mm)黑色橡胶木脚-01<br>Feet -(diameter 70*30mm) Black<br>rubber wood feel -01                       |         | 4      |        |                                |                  |        |   |
| G      | M8*45全牙螺栓<br>M8*45 full screw  |         | 2      |        |                                |                  |        |   |
| H      | M8*70斜边十字螺栓<br>M8*70 bevel cross bolt  |         | 4      |        |                                |                  |        |   |
| I      | 130MM排骨架实木中脚-01 (含M8*15锤母)<br>130MM solid wood midfoot for<br>slat-01 (including M8*15 hammer<br>head) |         | 4      |        |                                |                  |        |   |
| J      | 排骨架加固条002A1 (2015*48*38mm)<br>reinforcement bar for side<br>slat002A1 (2015*48*38mm)                   |         | 2      |        |                                |                  |        |   |
| K      | 角码-(30*30*16mm)L型<br>Angle code -(30*30*16mm)L type  |         | 4      |        |                                |                  |        |   |
| L      | M4*16自攻螺丝<br>M4*16 self tapping screw  |         | 8      |        |                                |                  |        |   |
| M      | M4*40自攻螺丝<br>M4*40 self tapping screw  |         | 4      |        |                                |                  |        |   |

|           |                |                   |
|-----------|----------------|-------------------|
| 制图 Draw   | C16            | Page NO. 页码 (2-1) |
| 安装工具 Tool | 安装人数 Installer |                   |

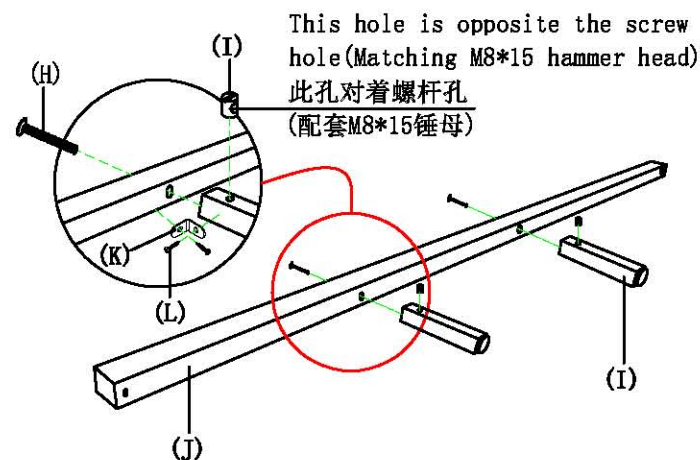
|   |  |  |  |  |  |
|---|--|--|--|--|--|
| 实木条形排骨架配套配件<br>Solid wood strip frame supporting<br>accessories |  | 充电式手电钻 或者 十字螺丝刀<br>Cordless hand drill<br>Phillips screwdriver |  |  |  |
| M4*30自攻螺丝=20<br>M4*30 self tapping<br>screw=20                  |  |  |  |  |  |



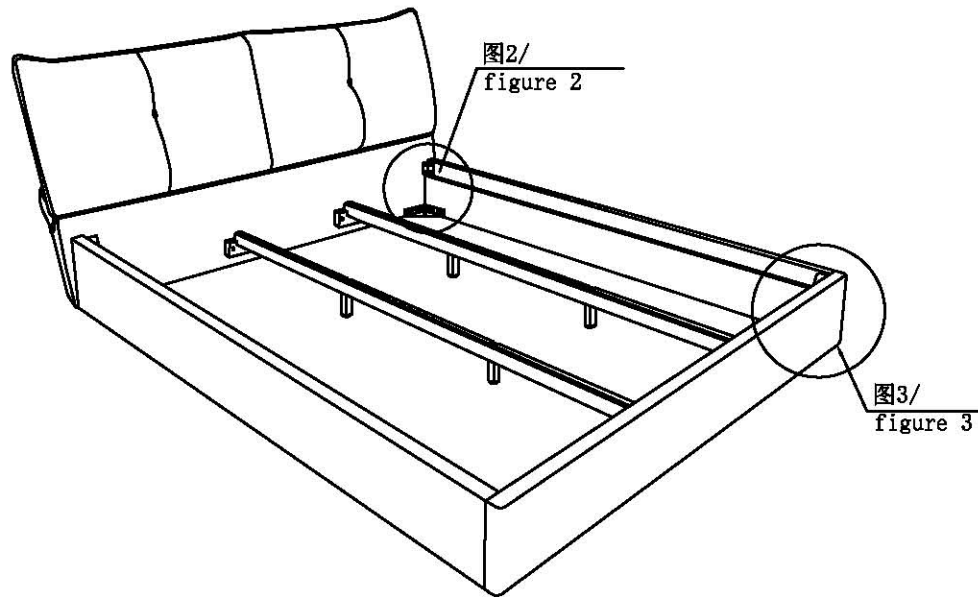
### STEP 1:



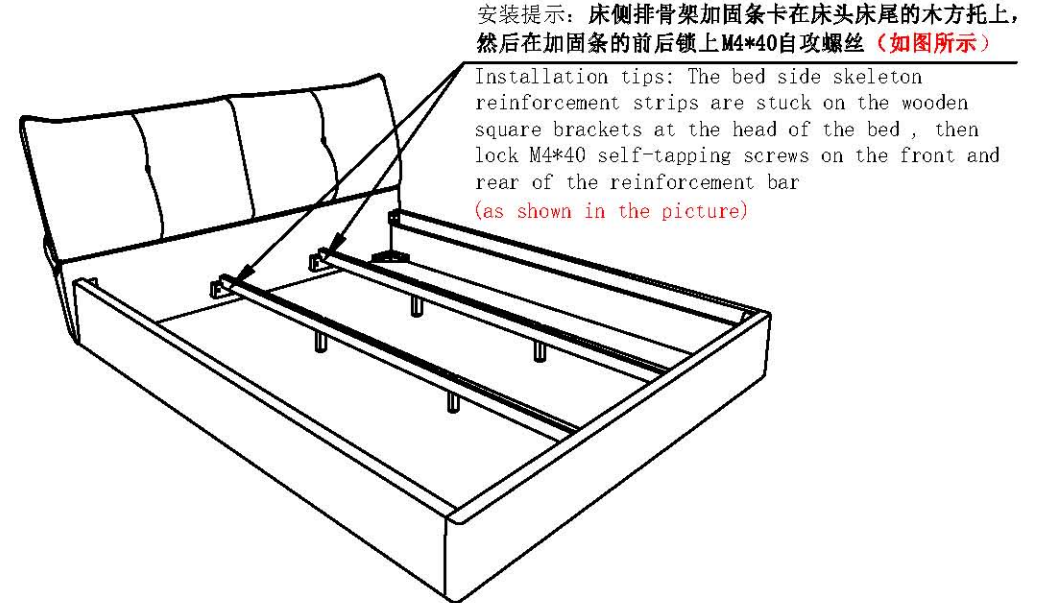
### STEP 2:



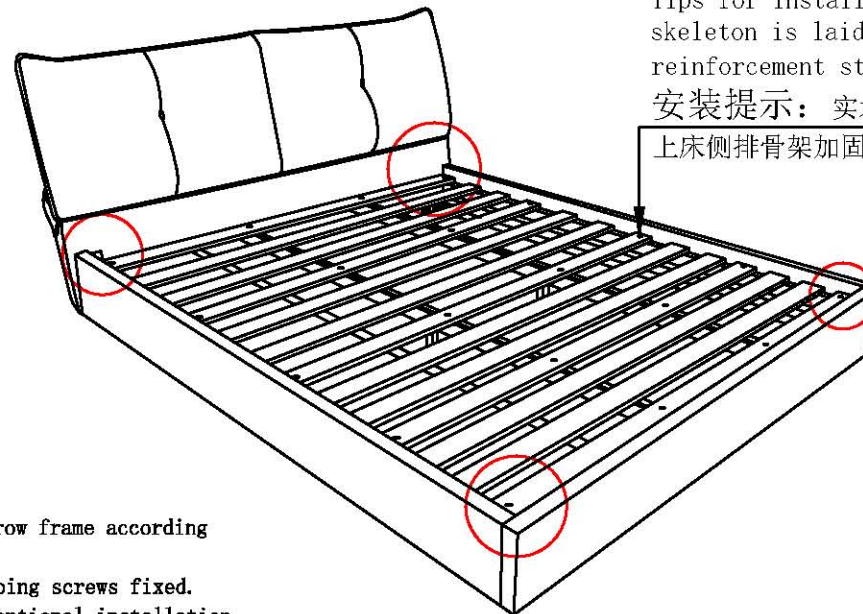
## STEP 3:



## STEP 4:



## STEP 5:



Tips for installation: Solid wood strip skeleton is laid on the bed side skeleton reinforcement strip (as shown in the figure)

安装提示：实木条形排骨架铺上床侧排骨架加固条（如图所示）

## 注:

- 1、用M4\*30自攻螺丝\*16按孔位固定实木条形排骨架。
- 2、实木条形排骨架四角无需用M4\*30自攻螺丝固定。
- 3、自攻螺丝固定实木条形排骨架步骤可选装可不装。

## Note:

1. Use M4\*30 self-tapping screws \*16 to fix the solid wood strip row frame according to the hole position.
- 2, solid wood strip row frame **four corners without** M4\*30 self tapping screws fixed.
- 3, self-tapping screws fixed solid wood strip row skeleton steps optional installation.