

LINSY 林氏家居

安装示意图/Assembly Instruction

产品名称 Model NO.	BC669-A#	排骨架规格 Ranked bed slat specifications (2000*1507)
产品规格 Specification	1500*2000	
尺寸组合 Combined size	2300*1660*1070mm	

配件表/Accessories list

编号 NO.	名称 Name	图示 Icon	数量 QTY	编号 NO.	名称 Name	规格 Specification	数量 QTY	材质 material
A	说明书(含安装图) Mounting Instruction (with drawing)		1	①	床头 The head of a bed	1660*320*1070	1	松木+胶合板+海绵+人造皮 Pine wood + Plywood + Sponge + Artificial leather
B	M8*20斜边十字螺栓 M8*20 bevel cross bolt		34	②	床侧 Side of the bed	2020*280*110	2	松木+胶合板+海绵+人造皮 Pine wood + Plywood + Sponge + Artificial leather
C	M8垫片 M8 pad		32	③	床尾 The end of the bed	1600*280*65	1	松木+胶合板+海绵+人造皮 Pine wood + Plywood + Sponge + Artificial leather
D	角码-(76*51*51mm)3号-01 Corner code -(76*51*51mm) No. 3-01		4	④	实木条形排骨架 Solid wood bed slat	2000*1507	1	松木 Pine wood
E	角码-(175*175*40mm)1号-01 Corner code -(175*175*40mm) No. 1-01		4					
F	脚-(直径70*30mm)黑色橡胶木脚-01 Feet -(diameter 70*30mm) Black rubber wood feel -01		4					
G	M8*45全牙螺栓 M8*45 full screw		2					
H	M8*70斜边十字螺栓 M8*70 bevel cross bolt		4					
I	130MM排骨架实木中脚-01 (含M8*15锤母) 130MM solid wood midfoot for slat-01 (including M8*15 hammer head)		4					
J	排骨架加固条002A1 (2015*48*38mm) reinforcement bar for side slat002A1 (2015*48*38mm)		2					
K	角码-(30*30*16mm)L型 Angle code -(30*30*16mm)L type		4					
L	M4*16自攻螺丝 M4*16 self tapping screw		8					
M	M4*40自攻螺丝 M4*40 self tapping screw		4					

制图 Draw	C16	Page NO. 页码 (2-1)
安装工具 Tool	安装人数 Installer	

实木条形排骨架配套配件 Solid wood strip frame supporting accessories		充电式手电钻 或者 十字螺丝刀 Cordless hand drill Phillips screwdriver			
M4*30自攻螺丝=20 M4*30 self tapping screw=20					



图1: 床头脚安装示意图
Figure 1: Installation diagram of the headboard

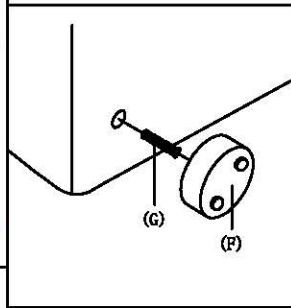


图2: 角码安装示意图1
Figure 2: Schematic diagram of corner code installation 1

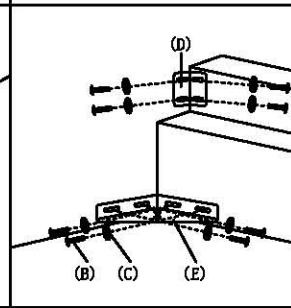
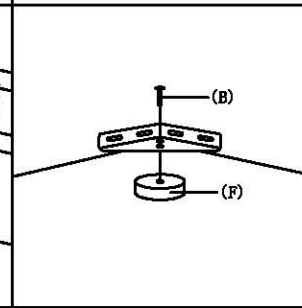
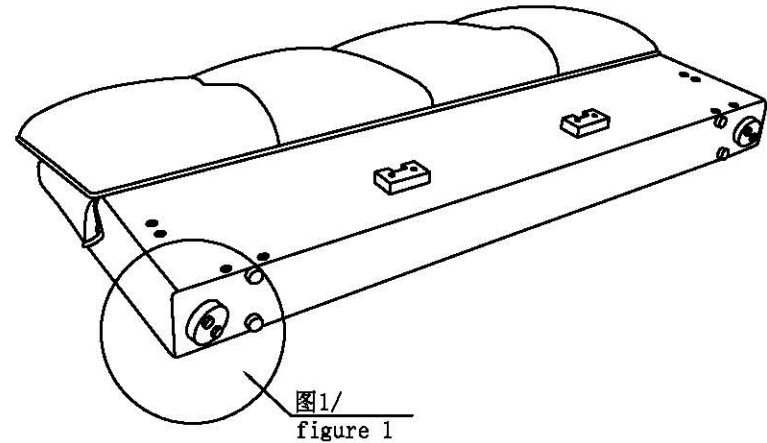


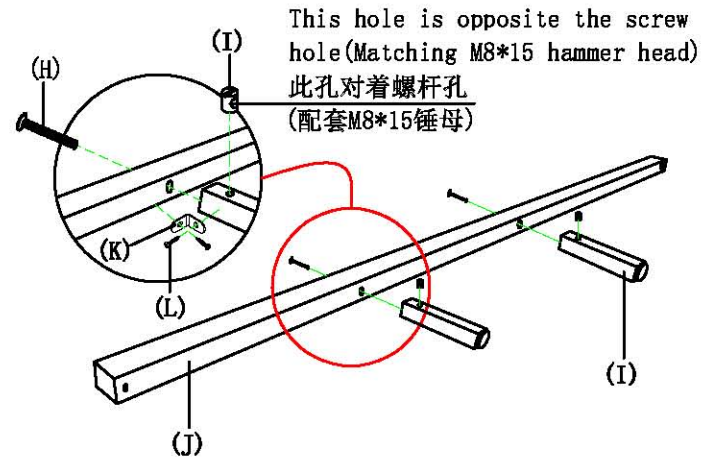
图3: 床尾脚安装示意图
Figure 3: Installation diagram of bed foot



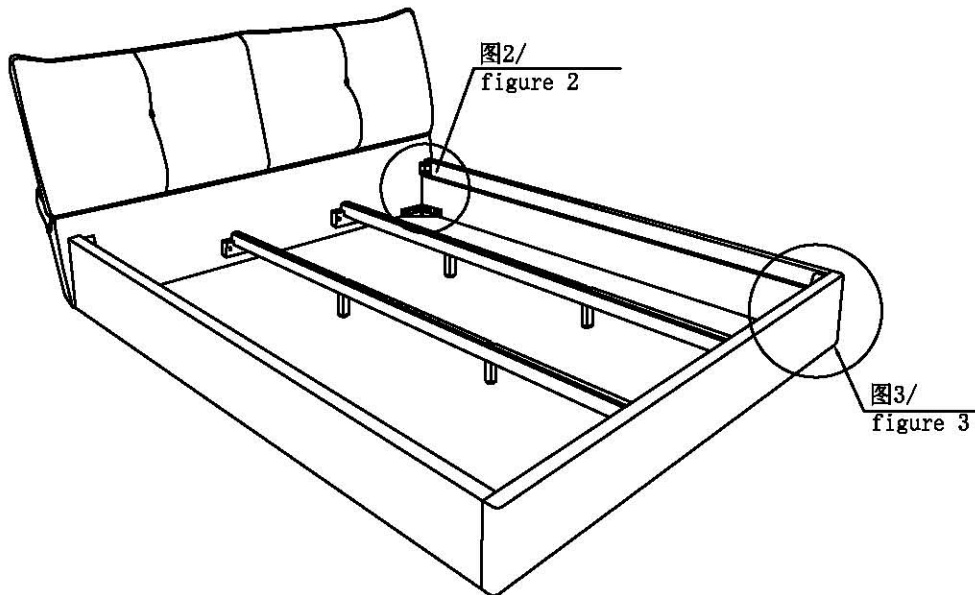
STEP 1:



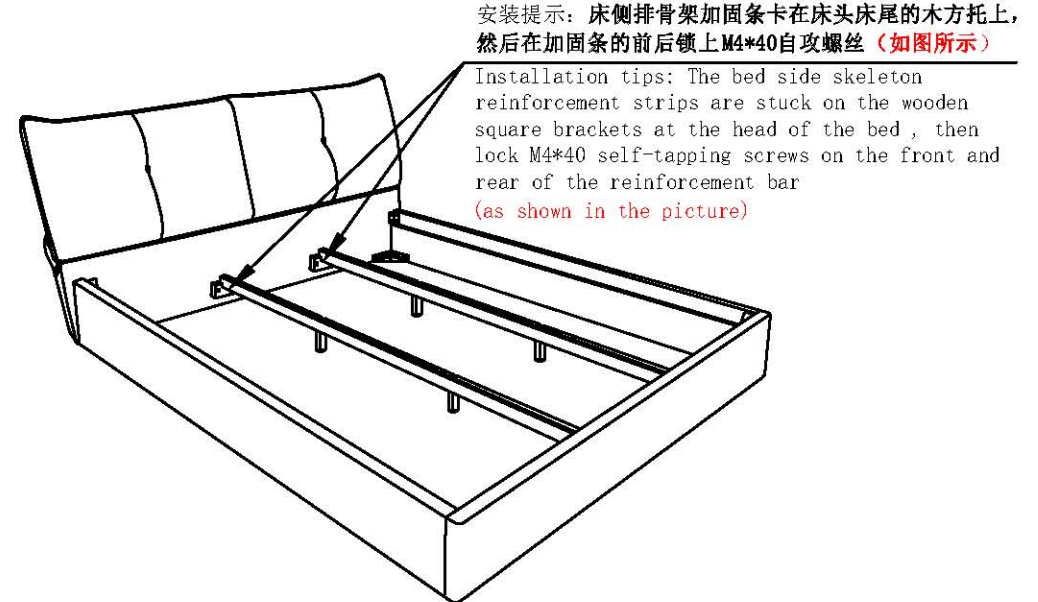
STEP 2:



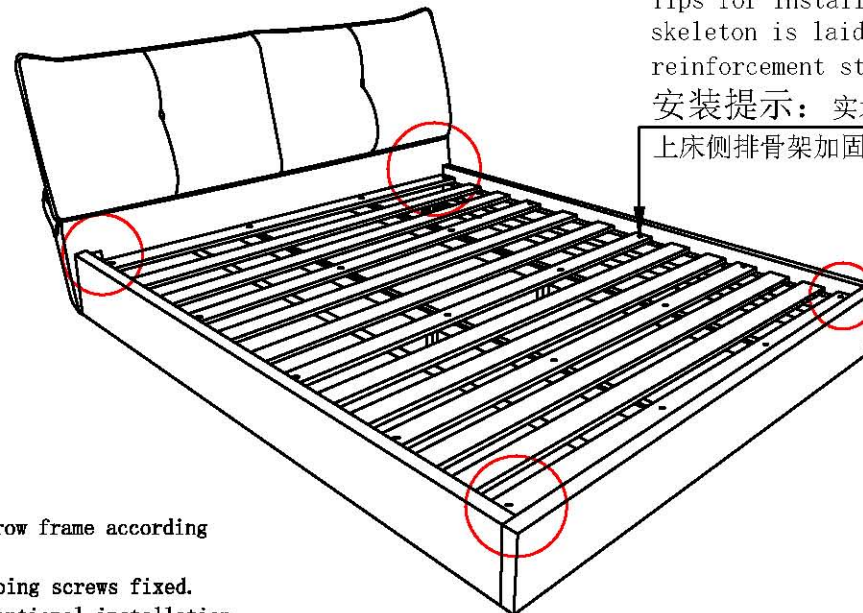
STEP 3:



STEP 4:



STEP 5:



Tips for installation: Solid wood strip skeleton is laid on the bed side skeleton reinforcement strip (as shown in the figure)

安装提示: 实木条形排骨架铺上床侧排骨架加固条 (如图所示)

注:

- 1、用M4*30自攻螺丝*16按孔位固定实木条形排骨架。
- 2、实木条形排骨架四角无需用M4*30自攻螺丝固定。
- 3、自攻螺丝固定实木条形排骨架步骤可选装可不装。

Note:

1. Use M4*30 self-tapping screws *16 to fix the solid wood strip row frame according to the hole position.
- 2, solid wood strip row frame **four corners without** M4*30 self tapping screws fixed.
- 3, self-tapping screws fixed solid wood strip row skeleton steps optional installation.