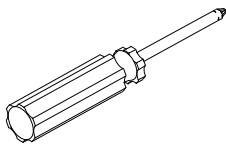
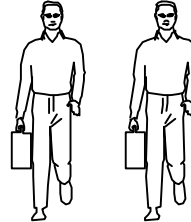
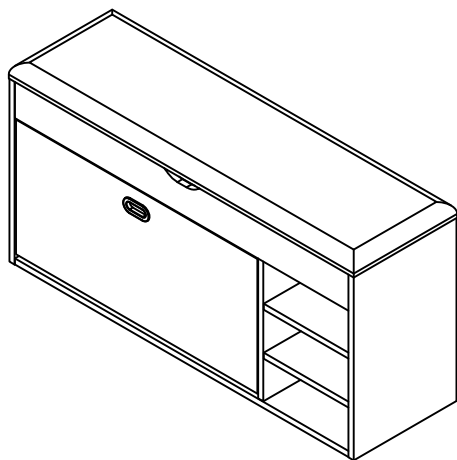


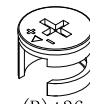
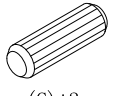

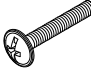
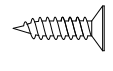
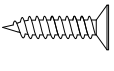
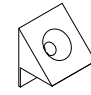
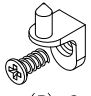
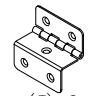
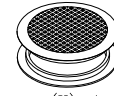


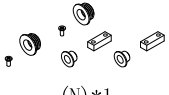
LINSY 林氏家居

安装示意图/Assembly Instruction



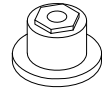
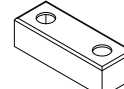
产品名称 Model NO.	JS3N-A 0.8M
产品规格 Specification	800*300*503MM
安装工具 Tool	安装人数 Installer
	



五金表/Hardware list

 (A)*36 二合一螺杆 2-in-1-screw	 (B)*36 大三合一锁饼 3-in-1 large lock	 (C)*2 木榫-(\varnothing 8*30mm) Wood tenon	 (D)*1 锌合金椭圆形拉手 Handle
 (E)*2 拉手螺丝-M4x10mm Pulling screw	 (F)*37 自攻螺丝M3.5*12 Tapping screw	 (G)*5 自攻螺丝M3.5*16 Tapping screw	 (H)*5 背板扣 White buckle
 (I)*8 层板托5mm shelf support	 (J)*3 合页 Hinges	 (K)*1 白色透气孔盖 Breathable cover	 (L)*6 脚垫-灰色毛毡 Foot pad
 (M)*1 双层鞋架支架 Flip hardware rack	 (N)*1 双层鞋架配件 Shoe rack accessories		

一套五金N内含五金 Hardware included in N

 (N1)*2 螺丝 Screw	 (N2)*2 大螺帽 Big nut	 (N3)*2 小螺帽 Little nut	 (N4)*2 小铁块 Stopper
--------------------------------------------------------------------------------------------------------------	------------------------------------------------------------------------------------------------------------------	----------------------------------------------------------------------------------------------------------------------	-------------------------------------------------------------------------------------------------------------------

部件表/Parts List

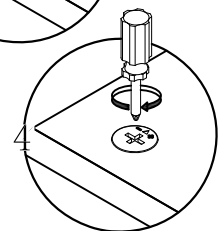
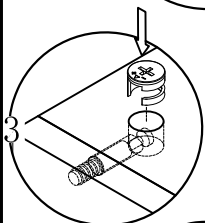
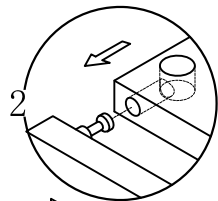
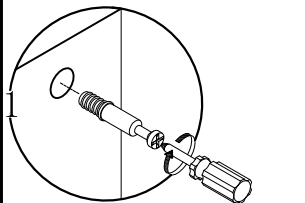
编号NO.	名称Name	规格(MM) Specification	数量QTY	材质Material
1	底板Bottom board	768*296*15	1	三胺板 Melamine
2	左侧板Side board(L)	460*298*15	1	三胺板 Melamine
3	右侧板Side board(R)	460*298*15	1	三胺板 Melamine
4	中侧板Middle side board	352*271*15	1	三胺板 Melamine
5	固定层板Fixed shelf	768*281*15	1	三胺板 Melamine
6	前档板Front baffle	768*93*15	1	三胺板 Melamine
7	后拉条Back brace	768*78*15	1	三胺板 Melamine
8	下拉条Bottom brace	768*68*15	1	三胺板 Melamine
9	中隔板Middle clapboard	266*78*15	2	三胺板 Melamine
10	活动层板Movable shelf	248*270*15	2	三胺板 Melamine
11	背板Back board	778*294*5	1	三胺板 Melamine
12	翻门Swing door	500*336*15	1	三胺板 Melamine
13	层板1 Shelf 1	496*145*12	2	三胺板 Melamine
14	层板2 Shelf 2	496*85*12	1	三胺板 Melamine
15	座包Seat	800*300*40	1	夹板+布+海绵 Plywood+Fabric+Sponge



第一步: 扫码关注你的专属客服小林
第二步: 扫码成功后自动弹出安装视频
Step 1. Please scan the QR code below to follow Xiaolin-Your exclusive customer service.
Step 2. A Installation video will pop up automatically after you scanned the QR code successfully

JS3N-A 0.8M

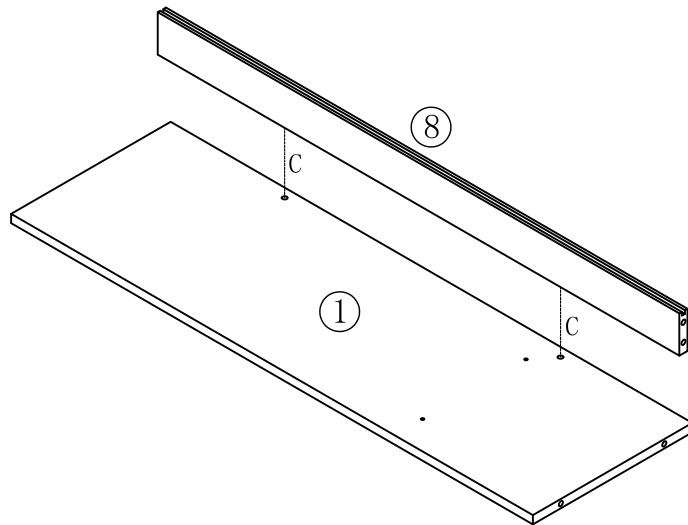
安装方法
Installation method



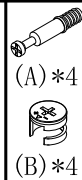
二合一
two-in-one



(C)*2



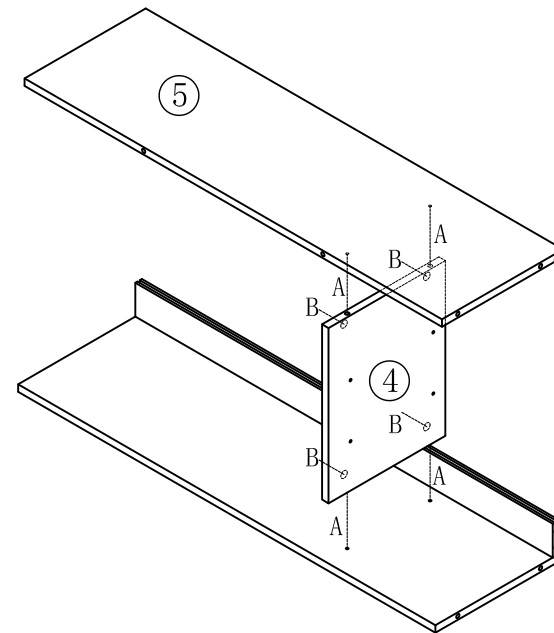
1



(A)*4



(B)*4



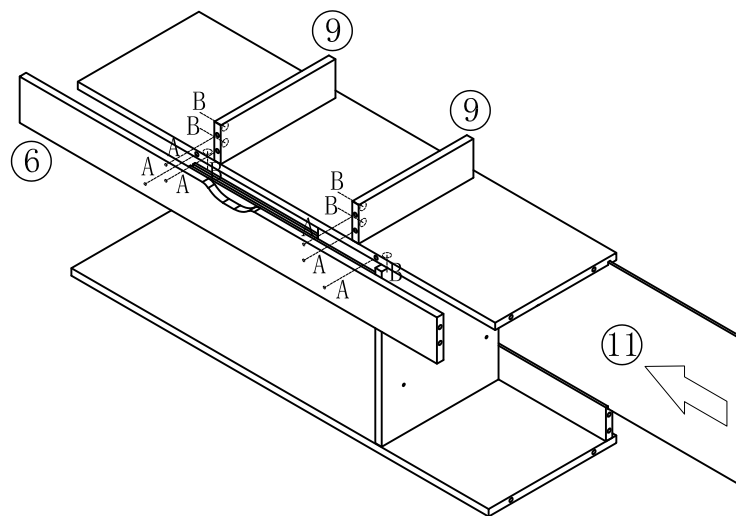
2



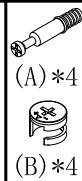
(A)*6



(B)*6



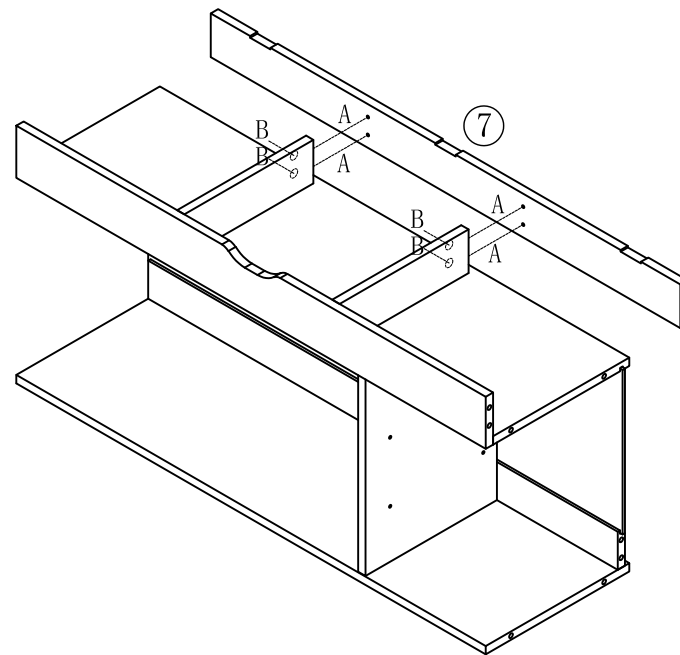
3



(A)*4



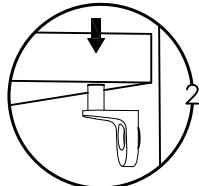
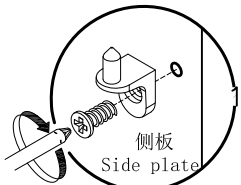
(B)*4



4

JS3N-A 0.8M

安装方法
Installation method



层板托5mm
shelf support

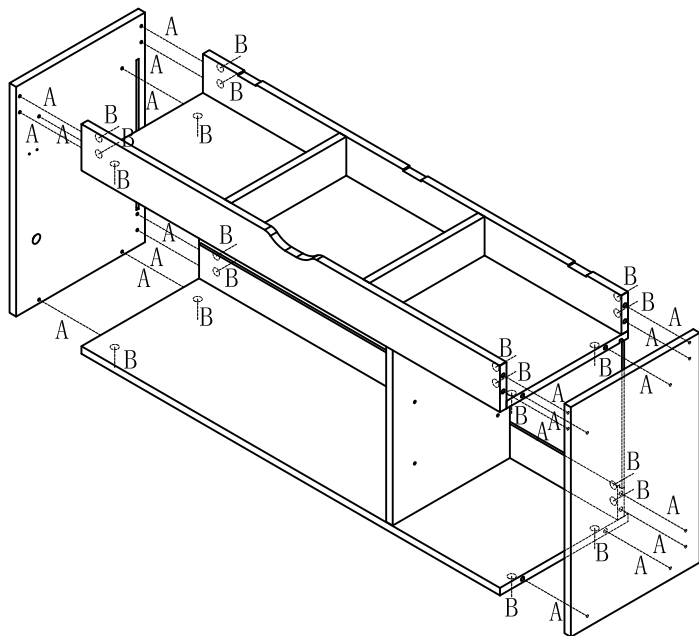


(A)*20



(B)*20

②



③

5



(F)*4



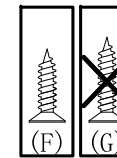
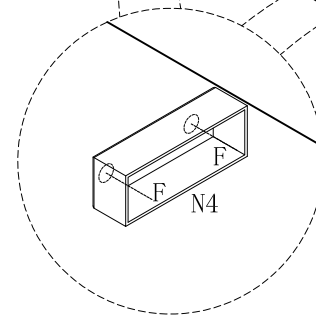
(I)*8



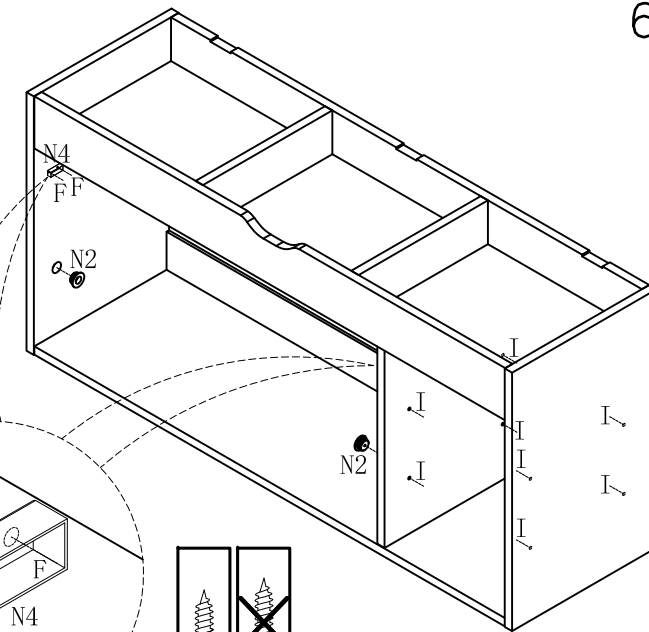
(N2)*2



(N4)*2



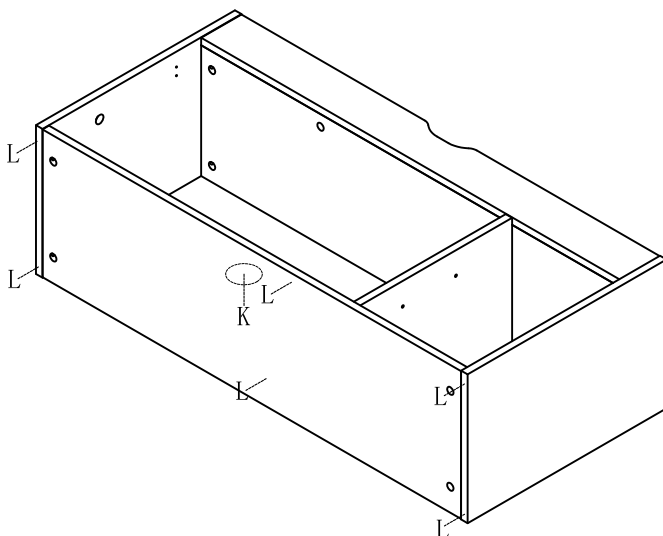
6



(K)*1



(L)*6



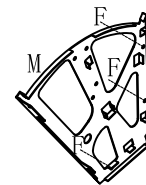
7



(F)*6

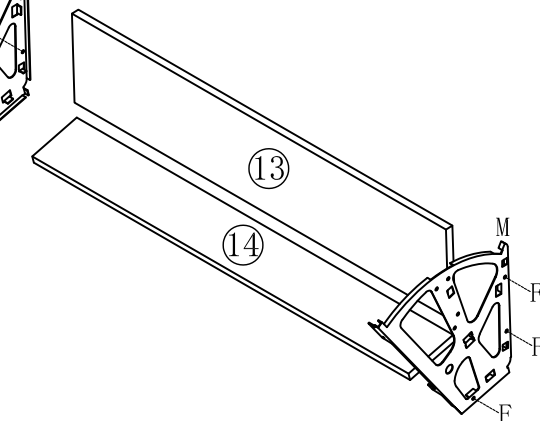


(M)*1



⑬

⑭



8



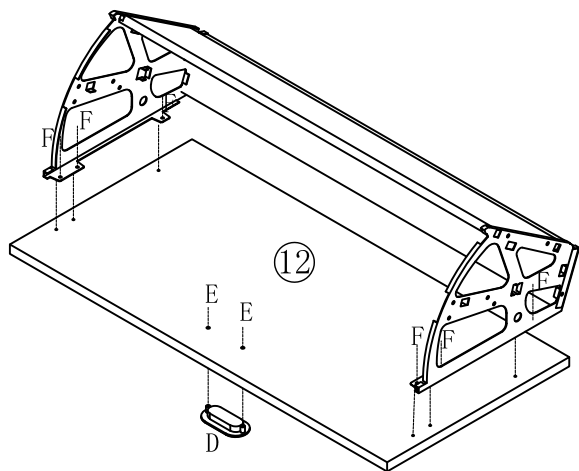
(F)*6



(D)*1



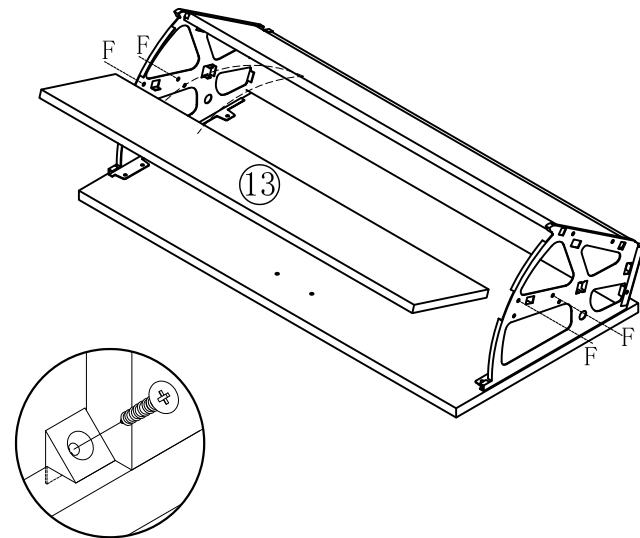
(E)*2



9



(F)*4



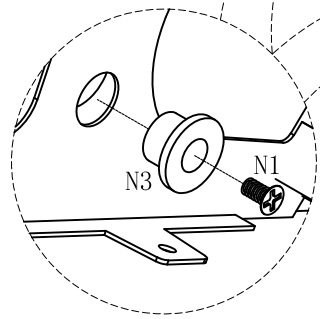
10



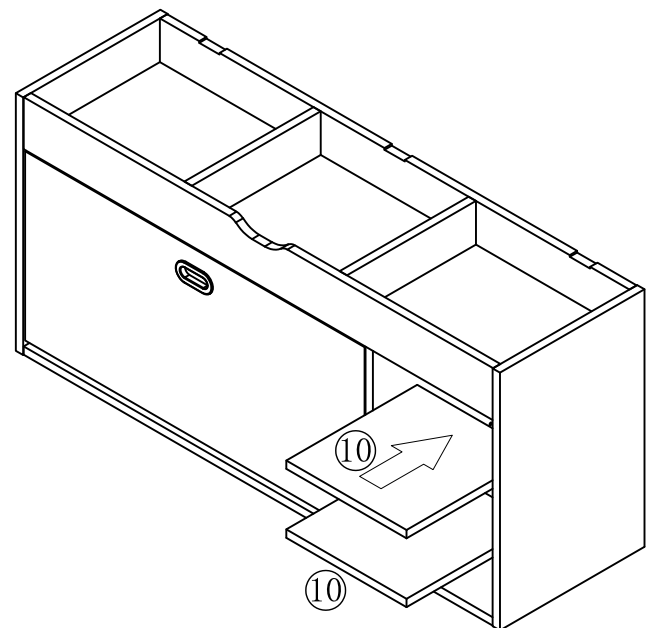
(N1)*2



(N3)*2



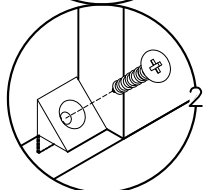
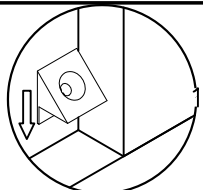
11



12

JS3N-A 0.8M

安装方法
Installation method



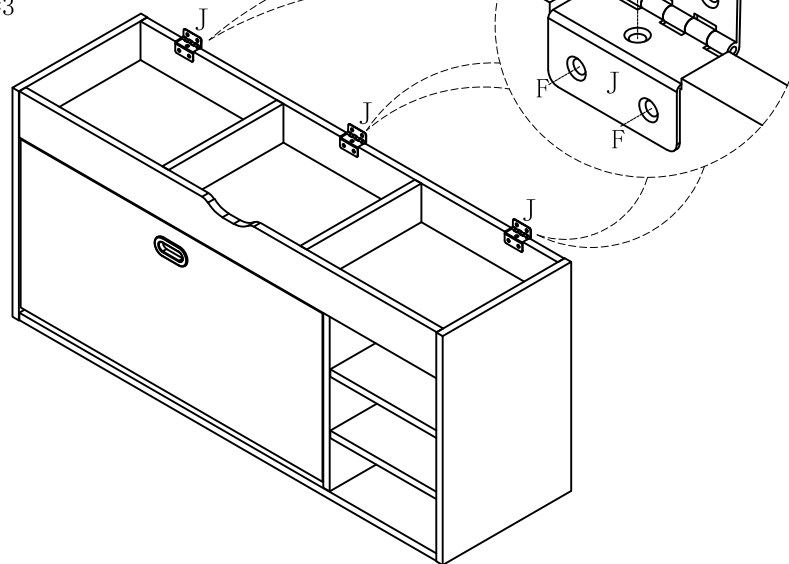
背板扣
Back Plate Buckle



(F)*9



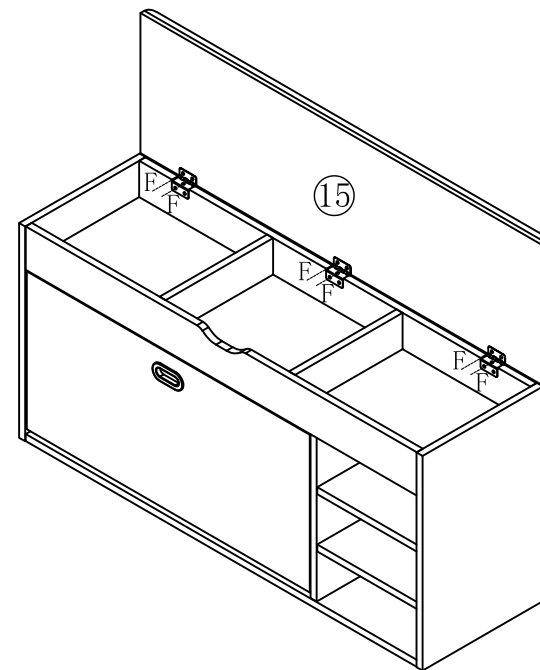
(J)*3



13



(F)*6



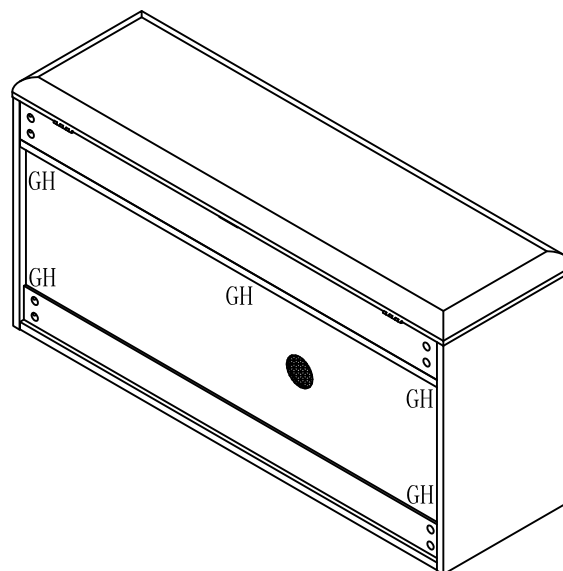
14



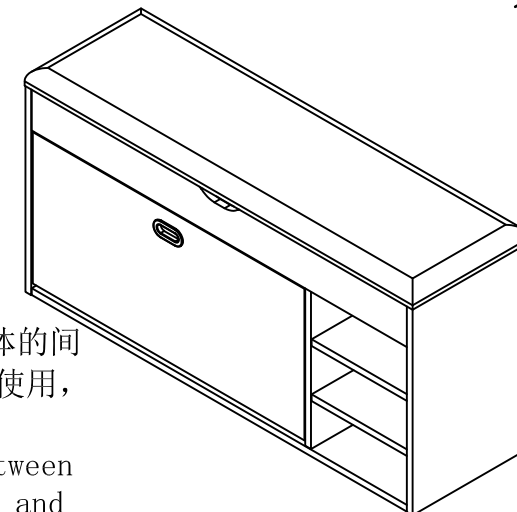
(G)*5



(H)*5



15



16

注：抽屉面板与柜体的间隙为设计开启抽屉使用，小心夹伤！

Note: the gap between the drawer panel and the cabinet is designed to open the drawer. Be careful not to pinch!