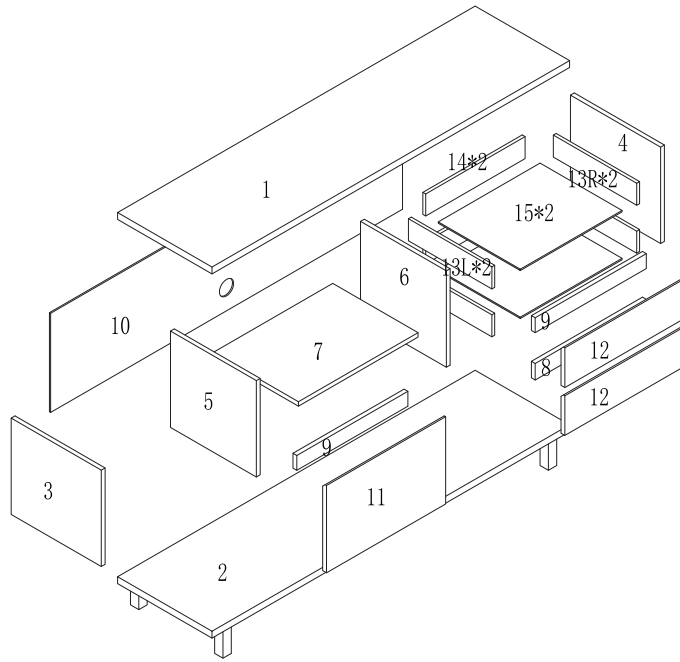
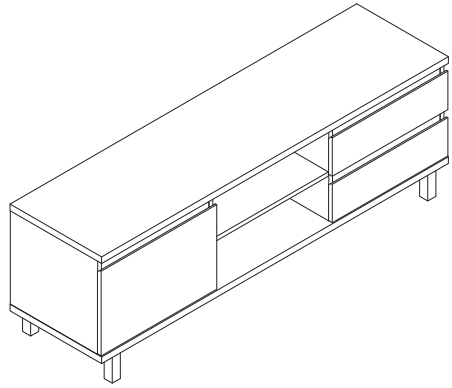


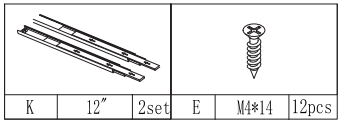
Assembly Instruction



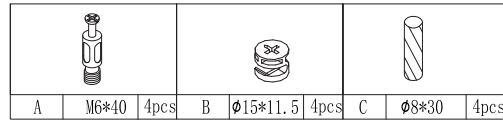
NO.	SIZE	QTY
1	1500*396*25	1
2	1498*396*16	1
3	350*378*16	1
4	350*378*16	1
5	350*360*16	1
6	350*360*16	1
7	502*358*16	1
8	466*60*16	1
9	466*54*16	2
10	1476*360*5	1
11	500*317*16	1
12	500*144*16	2
13	350*80*12	4
14	417*79*12	2
15	427*344*5	2

A M6*40 30pcs	B $\phi 15*11.5$ 30pcs	C $\phi 8*30$ 24pcs
D $\phi 12*10mm$ 8set	E M4*14 24pcs	F M4*30 8pcs
M / 2pcs	N / 8pcs	K 12" 2set
G M6*25 4pcs	L H100 2pcs	Z $\phi 20$ 30pcs
I M4*14 8pcs	J / 2pcs	O / 2pcs

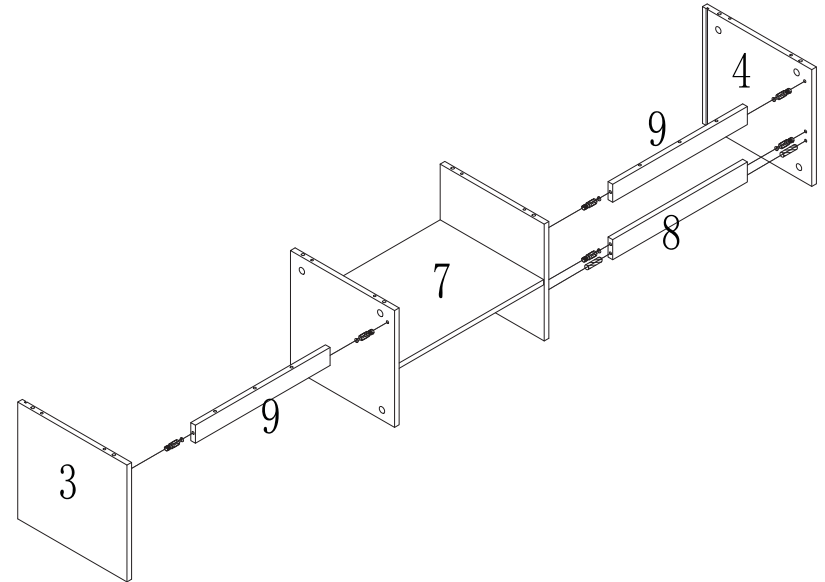
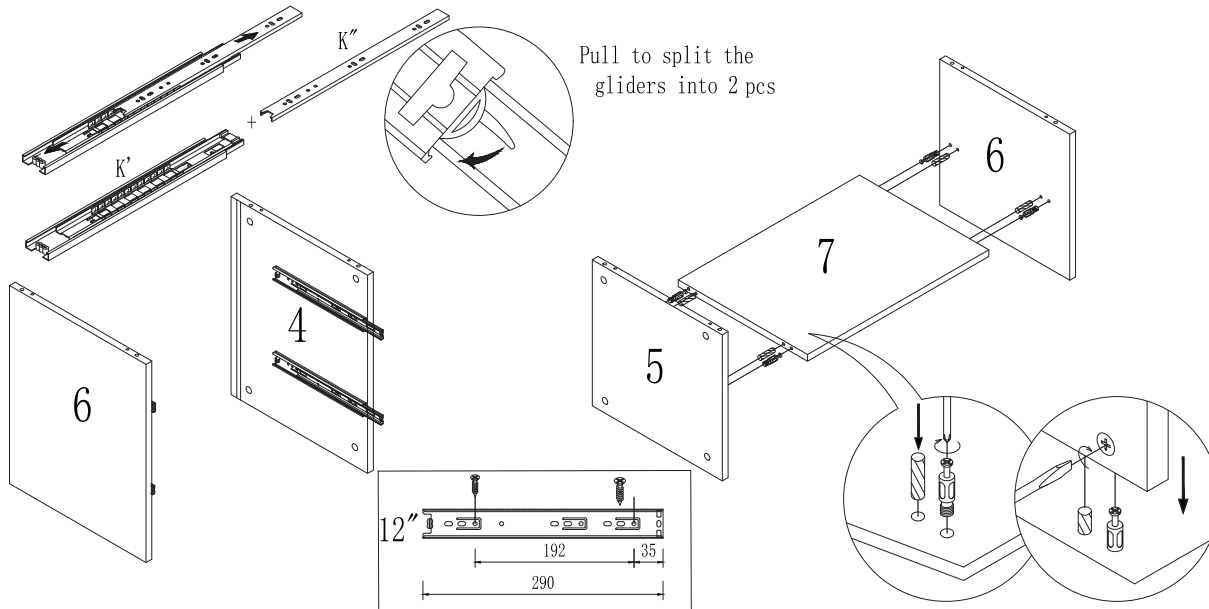
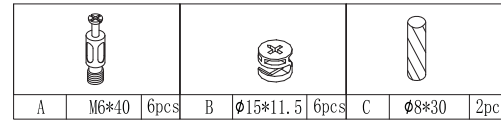
STEP 1:




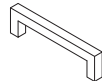


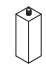
STEP 2:

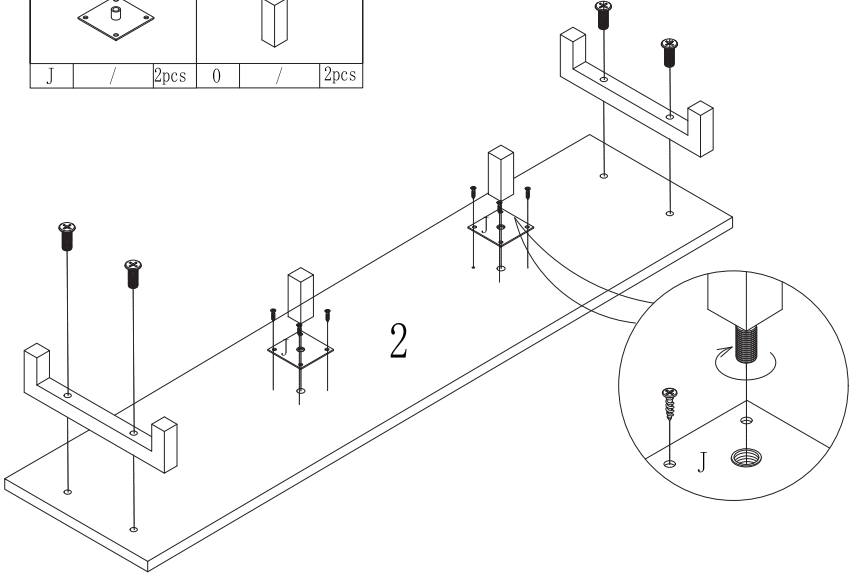


STEP 3:






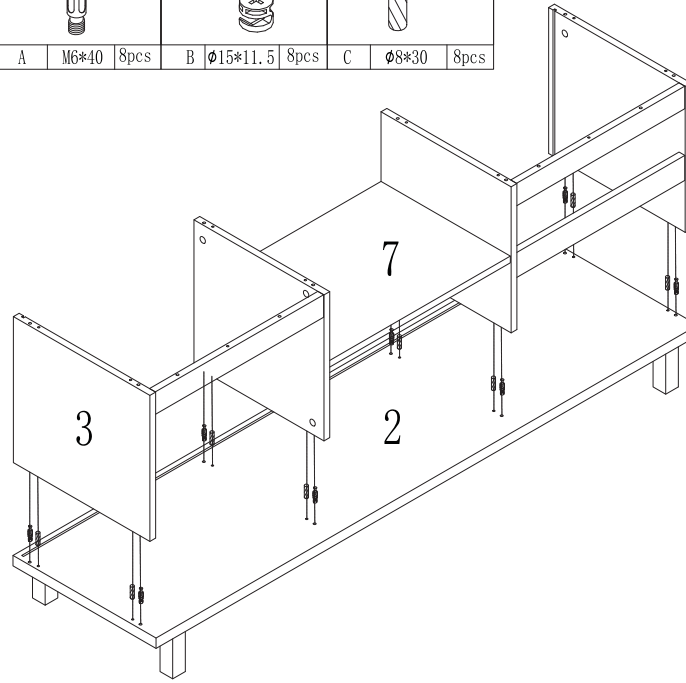
STEP 4:

		
G M6*25 4pcs	L H100 2pcs	I M4*14 8pcs
		
J / 2pcs	O / 2pcs	






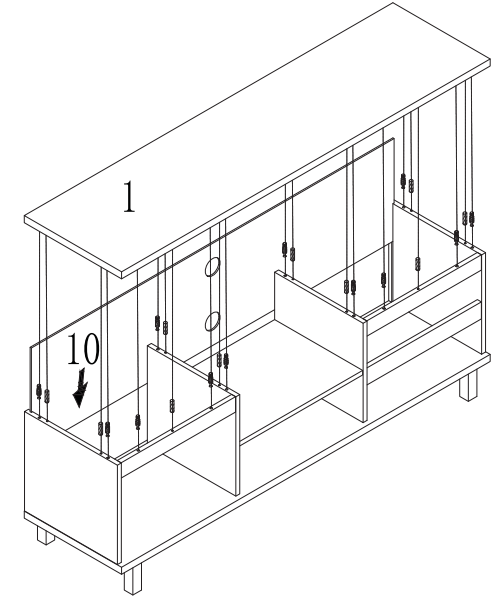
STEP 5:

		
A M6*40 8pcs	B $\phi 15 \times 11.5$ 8pcs	C $\phi 8 \times 30$ 8pcs




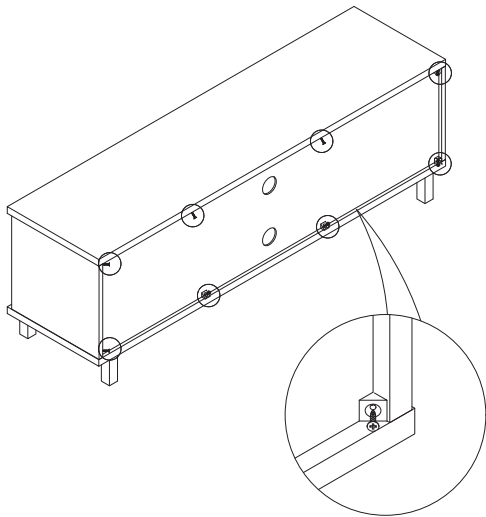
STEP 6:

		
A M6*40 12pcs	B $\phi 15 \times 11.5$ 12pcs	C $\phi 8 \times 30$ 10pcs

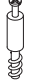





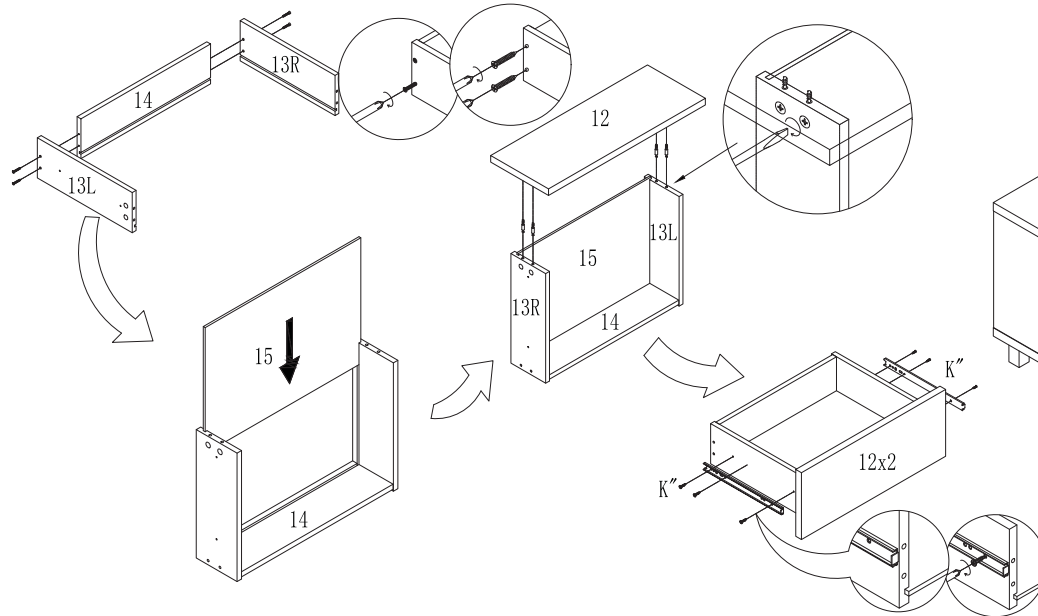
STEP 7:

	
N / 8pcs	

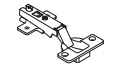


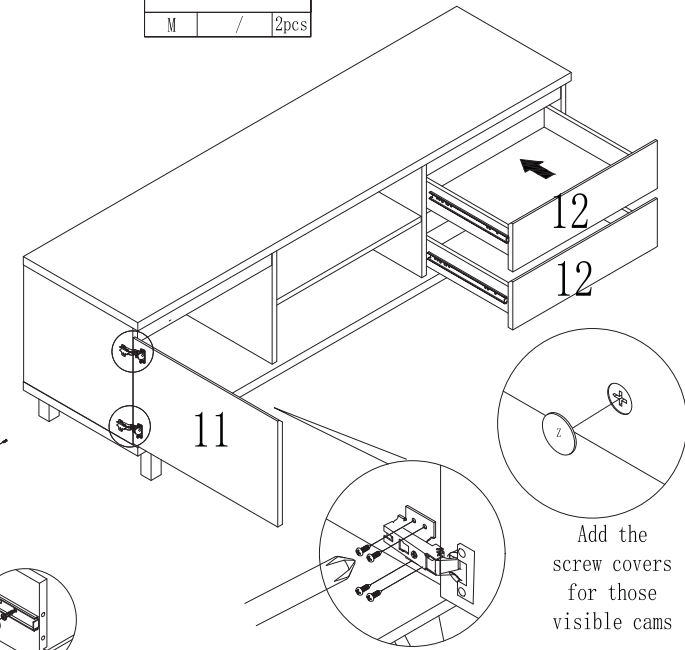
STEP 8:

			
D $\phi 12 \times 10$ mm 8set		E M4*14 12pcs	F M4*30 8pcs



STEP 9:

	
M / 2pcs	



Add the screw covers for those visible cams