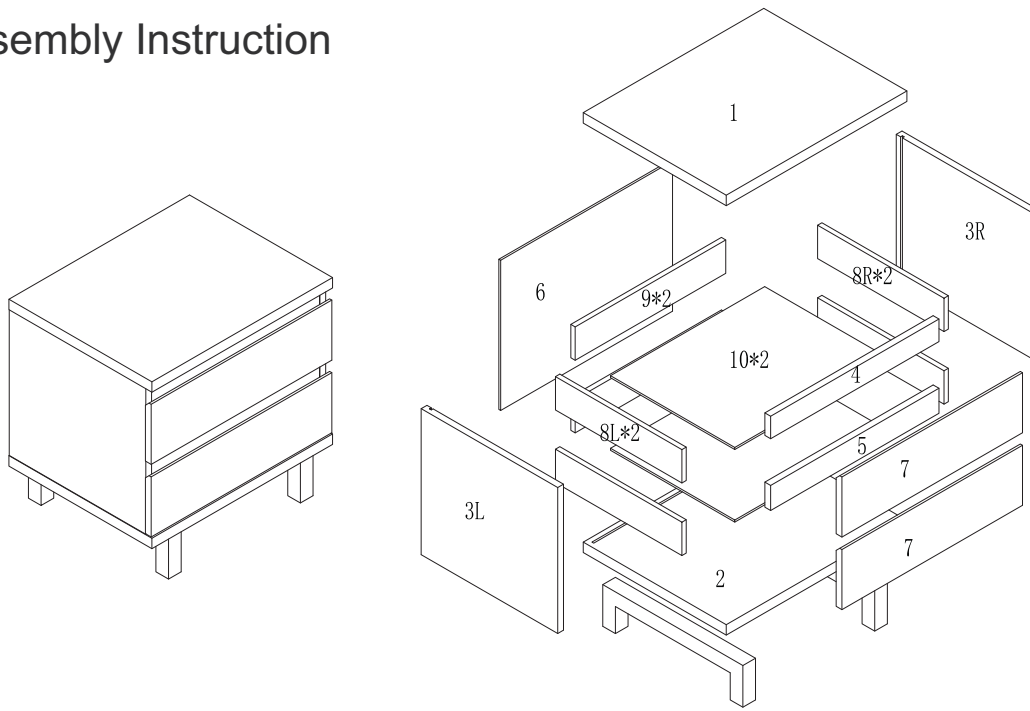


Assembly Instruction



| NO. | SIZE | QTY |
|-----|------------|-----|
| 1 | 500*396*25 | 1 |
| 2 | 500*396*25 | 1 |
| 3 | 350*378*16 | 2 |
| 4 | 466*54*16 | 1 |
| 5 | 466*60*16 | 1 |
| 6 | 476*360*5 | 1 |
| 7 | 500*144*16 | 2 |
| 8 | 350*80*12 | 4 |
| 9 | 417*80*12 | 2 |
| 10 | 427*344*5 | 2 |

| | | |
|-------------------------------|-------------------------------|----------------------------|
| | | |
| A M6*40 13pcs | B $\phi 15 \times 13.5$ 13pcs | C $\phi 8 \times 30$ 10pcs |
| | | |
| D $\phi 12 \times 10$ mm 8set | E M4*14 24pcs | F M4*30 8pcs |
| | | |
| K 12" 2set | G M6*25 4pcs | L H100 2pcs |
| | | |
| N / 4pcs | | |

STEP 1:

| | |
|------------|---------------|
| | |
| K 12" 2set | E M4*14 12pcs |

STEP 2:

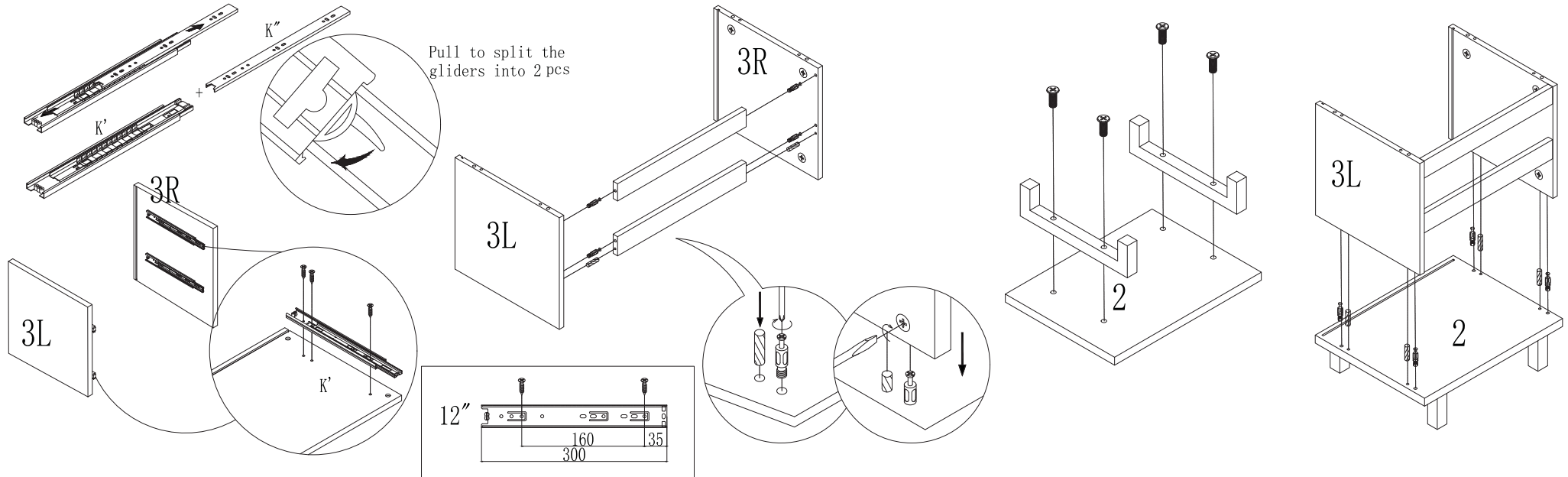
| | | |
|--------------|------------------------------|---------------------------|
| | | |
| A M6*40 4pcs | B $\phi 15 \times 13.5$ 4pcs | C $\phi 8 \times 30$ 2pcs |

STEP 3:




| | |
|--------------|-------------|
| | |
| G M6*25 4pcs | L H100 2pcs |

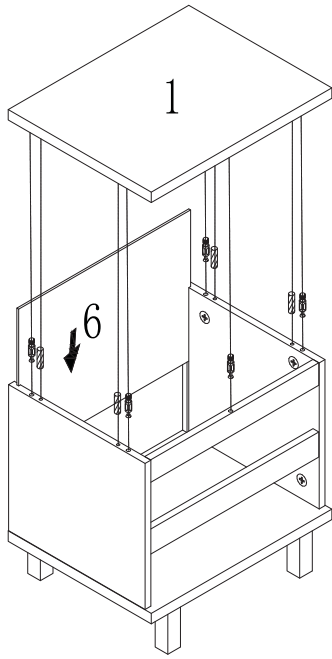
STEP 4:

| | | |
|--------------|------------------------------|---------------------------|
| | | |
| A M6*40 4pcs | B $\phi 15 \times 13.5$ 4pcs | C $\phi 8 \times 30$ 4pcs |



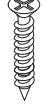
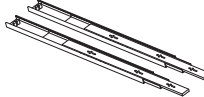


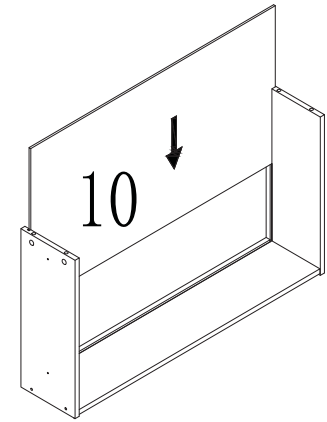
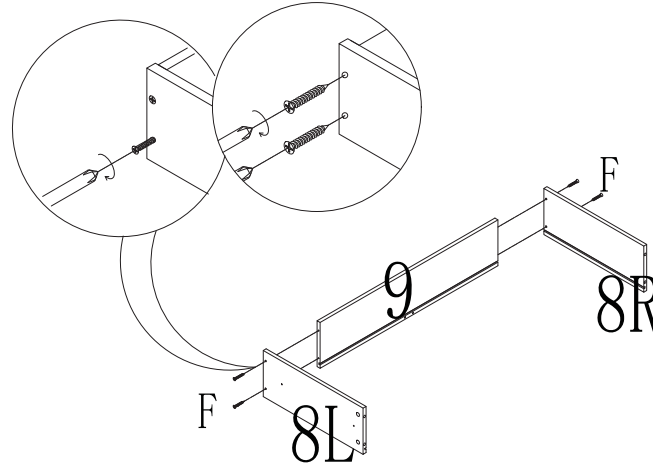
STEP 5:

| | | |
|---|----------|------|
|  | | |
| A | M6*40 | 5pcs |
|  | | |
| B | ∅15*13.5 | 5pcs |
|  | | |
| C | ∅8*30 | 4pcs |

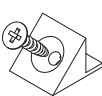


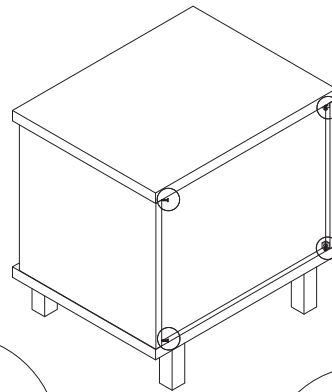
STEP 6:

| | | | | | | | | | | | |
|--|--------|------|--|-------|-------|--|-------|------|--|-----|------|
|  | | |  | | |  | | |  | | |
| D | ∅12*10 | 8set | E | M4*14 | 12pcs | F | M4*30 | 8pcs | K | 12" | 2set |



STEP 7:

| | | |
|--|---|------|
|  | | |
| N | / | 4pcs |



STEP 8:

