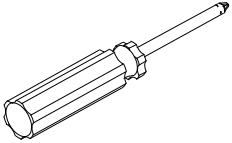
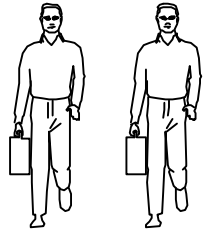
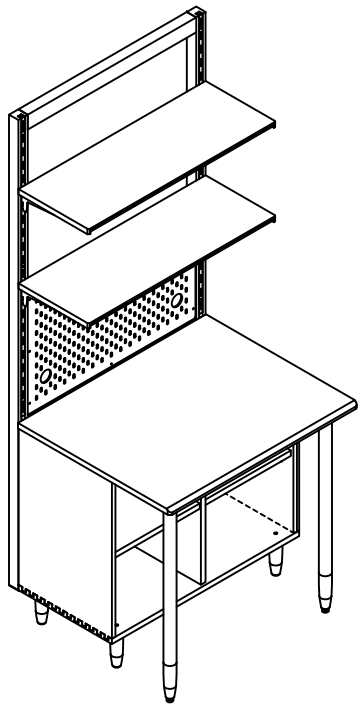
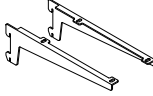
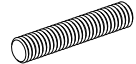

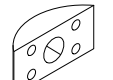
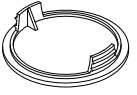
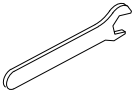
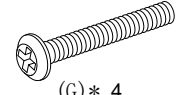
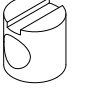
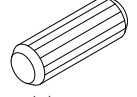
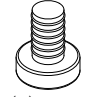
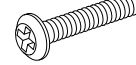

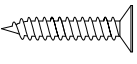

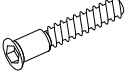

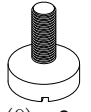
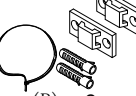


安装示意图/Assembly Instruction

产品名称 Model NO.	NJ1V-A 0.8m
产品规格 Specification	804*690*1855 mm
安装工具 Tool	安装人数 Installer
	



五金表/Hardware list

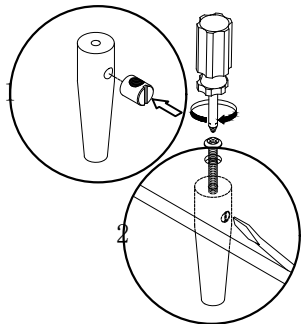
 (A)* 2 支架 Hardware bracket	 (B)* 4 全牙螺杆-M8x75mm screw- color zinc	 (C)* 4 外六角螺母M8 Hexagon Nut colored zinc	 (D)* 4 五合一月牙 5-in-1 screw
 (E)* 4 五合一孔盖-棕色 5-in-1 plastic cover	 (F)* 1 开口扳手 Wrench- Open End Wrench	 (G)* 4 斜边十字螺杆-M8x55 bevel cross screw	 (H)* 4 锤母-M8 Hammer nut
 (I)* 4 木榫Ø10x40mm wood tenon	 (J)* 4 透明防滑PVC胶塞 PVC rubber plug	 (K)* 16 斜边十字螺杆-M8x30 bevel cross screw	 (L)* 24 自攻大扁M4*16mm Self tapping flat screw
 (M)* 8 自攻螺丝M4x30mm Self-tapping screw	 (N)* 4 角码 Corner code	 (O)* 5 过山丝-M7x38mm Self-tapping screw galvanized	 (P)* 1 内六角扳手4mm spanner-(4mm) hex
 (Q)* 2 调节五金脚-M6 Adjusting foot	 (R)* 2 家具防倒器-白色 Anti-fall device white		

部件表/Parts List

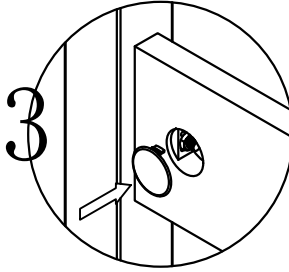
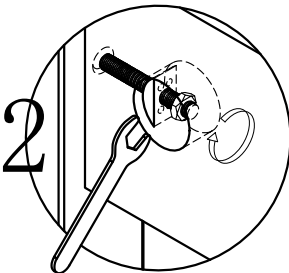
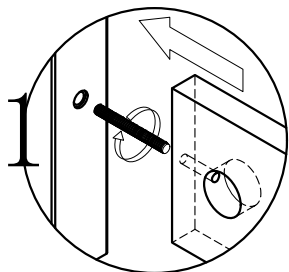
编号NO.	名称Name	规格 (mm) Specification	数量QTY	材质Material
①	面板Top panel	804*650*20	1	实木Wood
②	整装柜子Packaged cabinet	800*400*600	1	实木Wood
2-1	上柜Upper cabinet	800*400*600	1	实木Wood
2-2	背板Back board	574*395*9	2	实木Wood
2-4	层板Shelf	369*373*20	2	实木Wood
③	脚Foot	130*40*40	4	实木Wood
④	左侧柱Left side pillar	1725*40*40	1	实木Wood
⑤	右侧柱Right pillar	1725*40*40	1	实木Wood
⑥	上拉条Top brace	720*55*40	1	实木Wood
⑦	下拉条Bottom brace	720*55*40	1	实木Wood
⑧	上层板Upper shelf	800*300*20	2	实木Wood
⑨	前脚Front foot	726*90*90	2	实木Wood
⑩	连接木1 Connecting wood 1	430*18*18	2	实木Wood
⑪	连接木2 Connecting wood 2	200*18*18	1	实木Wood
⑫	洞洞板wire-wrap board	718*460*4.8	1	E1级碳晶板 E1 carbon crystal plate

NJ1V-A 0.8m




安装方法/
Installation method





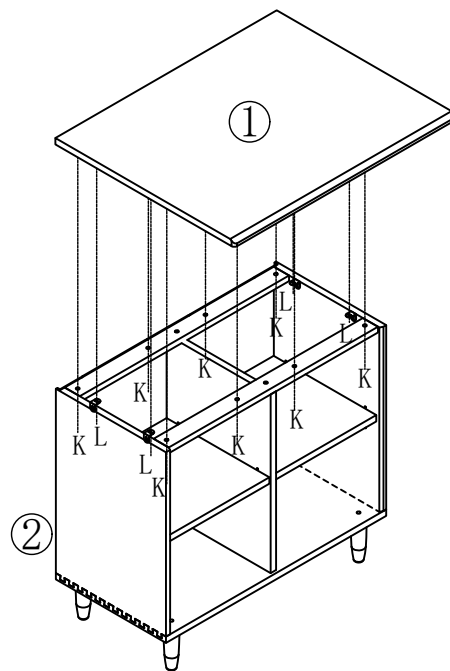
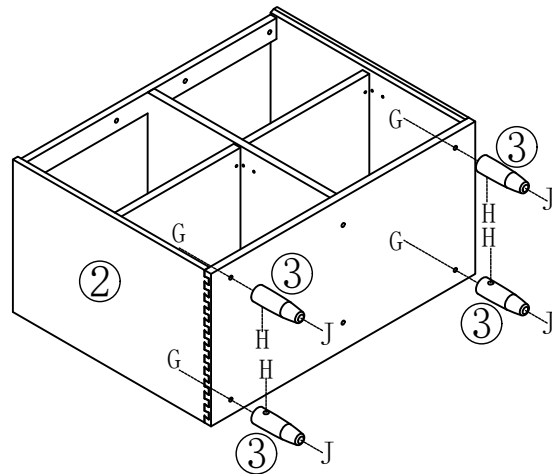
锤母
Hammer nut





五合一
5-in-1

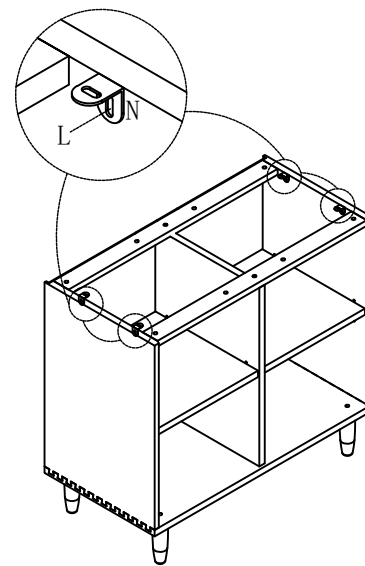
-  (G)*4
-  (H)*4
-  (J)*4

-  (K)*8
-  (L)*4




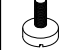
1

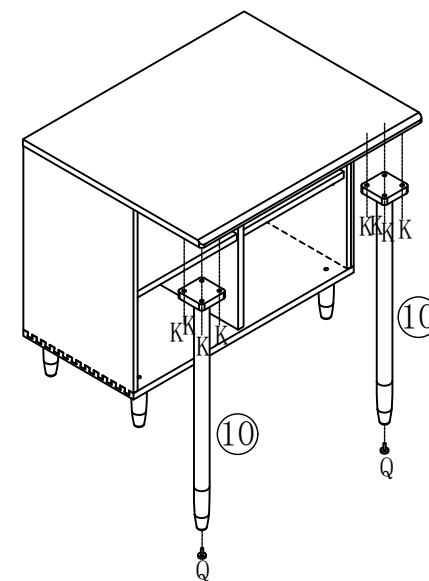
-  (N)*4
-  (L)*4



2

3

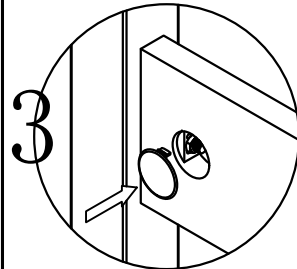
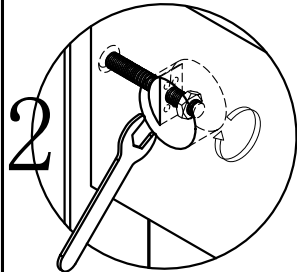
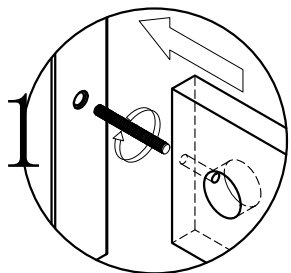
-  (K)*8
-  (Q)*2



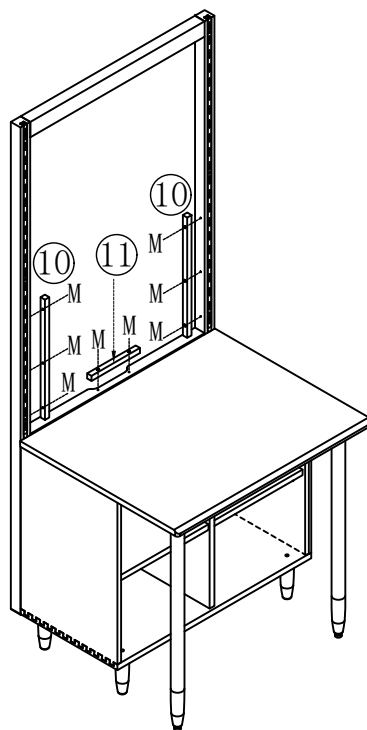
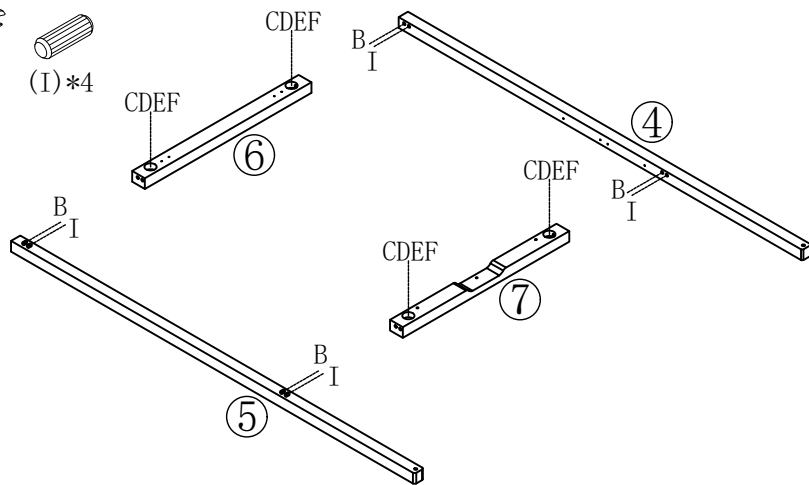
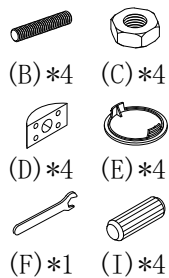
4

NJ1V-A 0.8m

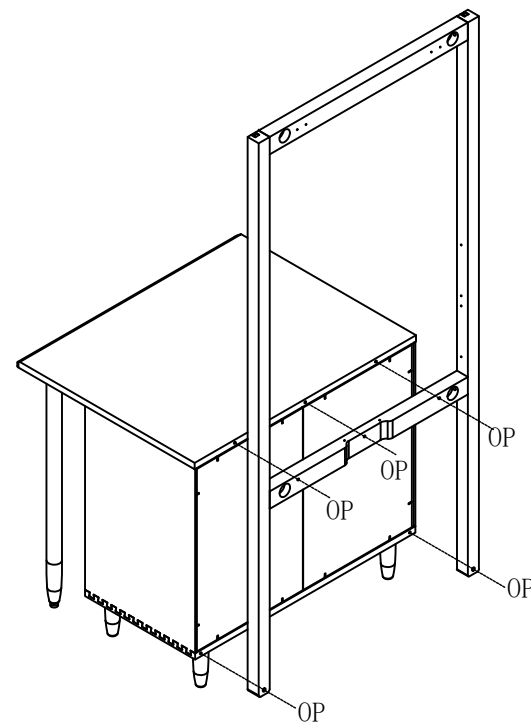
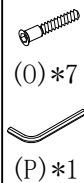
安装方法/
Installation method



五合一
5-in-1

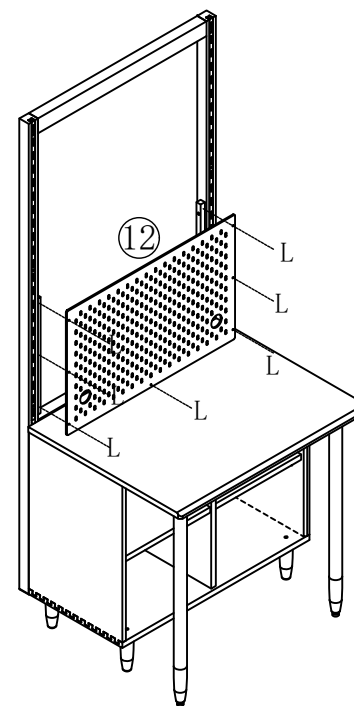


5



6

7



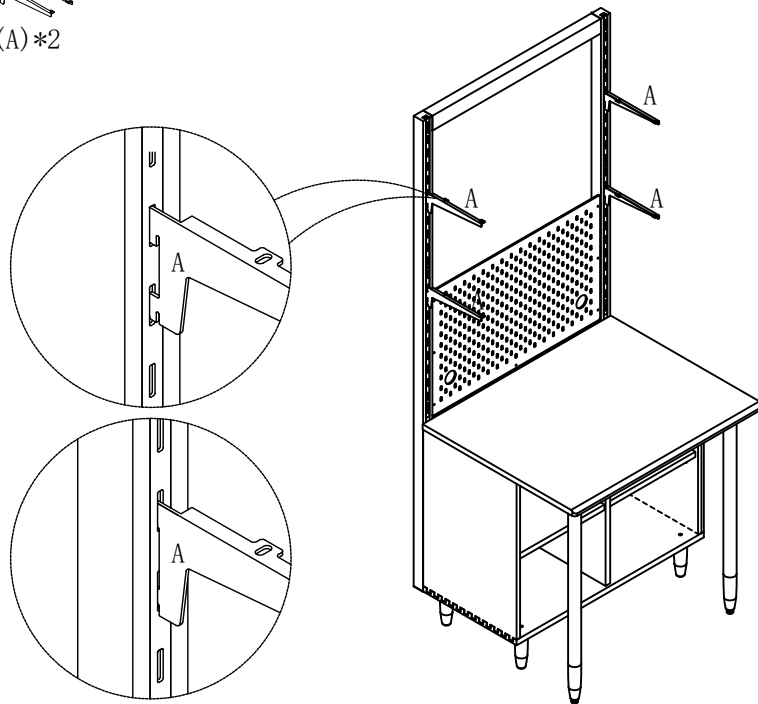
8

NJ1V-A 0.8m



(A)*2

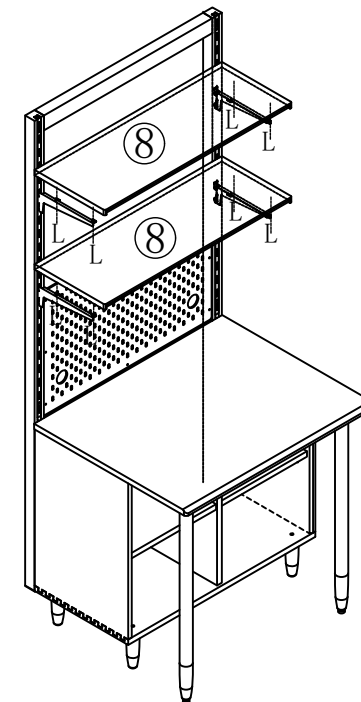
安装方法/
Installation method



9

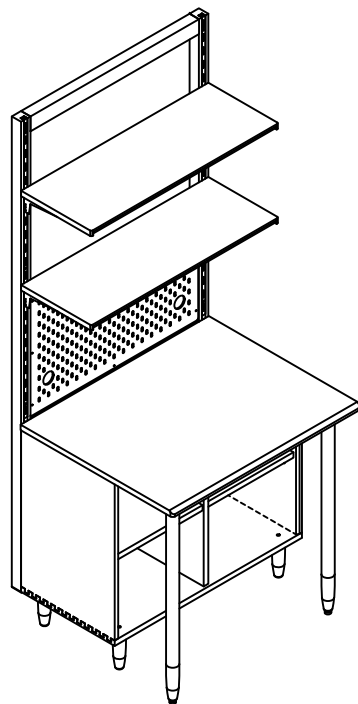


(L)*8



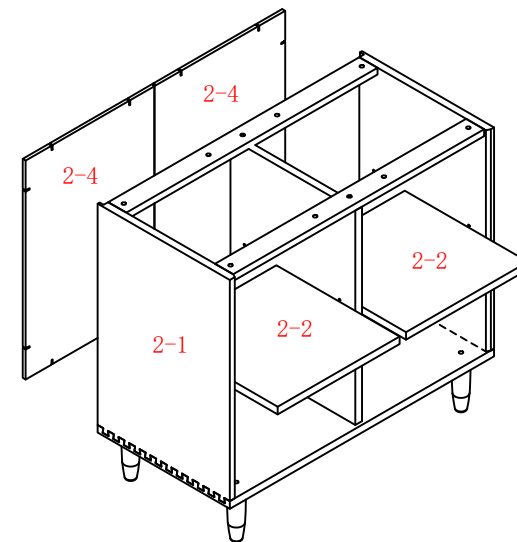
10

11

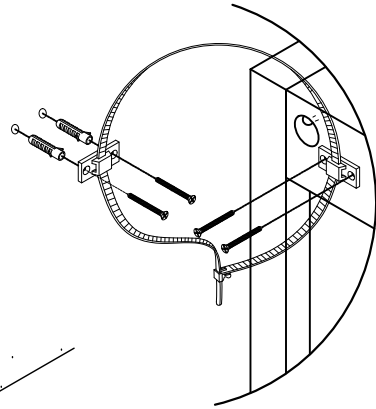


12

部件2 分解图
Component 2 exploded view



(R)*2



R处放大图
Enlarged view at R

实体墙
Solid wall

