

Linspire

Assembly Instructions

Product Name: Linspire Grove Foldable Bamboo Clothes Rack, Narrow

Product Dimension: 670*510*1457

产品名称 LS706P3-A 布兜衣帽架

产品规格 670*510*1457

安装工具

Tools Required:



安装人员



Part List 部件表

No.	Name	Dimension	Qty.	Material
1	Left Front Leg	1480*32*85	1	Bamboo
2	Left Support Leg	1480*32*15	1	
3	Right Front Leg	1480*32*85	1	
4	Right Support Leg	1480*32*15	1	
5	Hanging Rod	70*Φ 25	2	
6	Hanging Rod	470*Φ 25	1	
7	Short	470*Φ 20	2	
8	Connecting Rod Long	500*Φ 20	2	
9	Crossbar	400*32*15	2	
10	Storage Basket		1	

Hardware List 五金表

No.	Name	Image	Qty.	Material
A	Hexagonal Bolts		8	Zinc-Plated
B	Allen Key		1	Nickel-Plated
C	Foot Pads		4	EVR

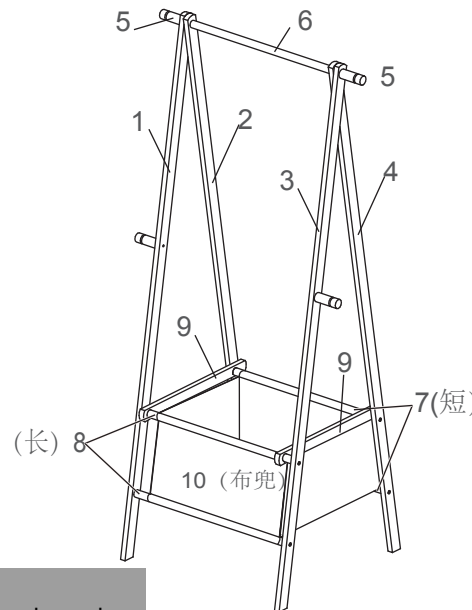


Warning

1. During the steps, if the parts get stuck while pulling or installing, do not use force to pull them apart to avoid damaging the product.

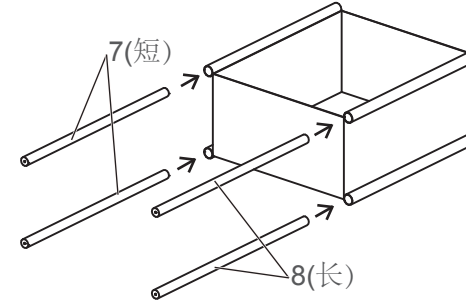
2. Be careful of pinching your fingers. Do not place your hands in gaps during assembly to prevent injury.

* Do not tighten the screws all at once. Ensure all hardware is assembled in place before fully securing them.

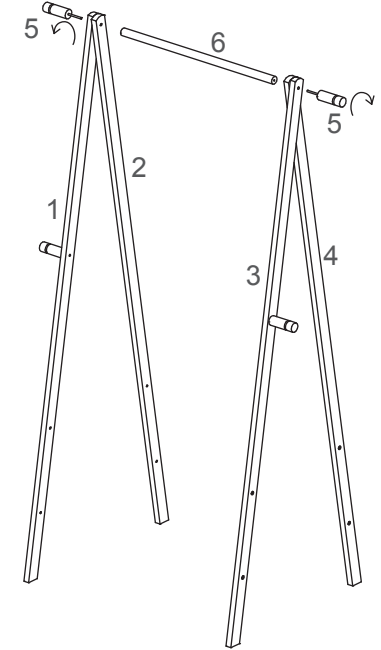


Instruction Steps

1. As shown in the diagram, thread Part 7 and Part 8 through the holes on Part 9.



2. As shown in the diagram, use Part 5 to connect Parts 1, 2, 3, 4, and 6 together.



3. As shown in the diagram, first thread Part 9 through the short connecting rods on both sides of the storage basket, then use screws (A) to secure the assembled storage basket to the previously assembled parts from Step 2. Finally, attach the Part (C).

