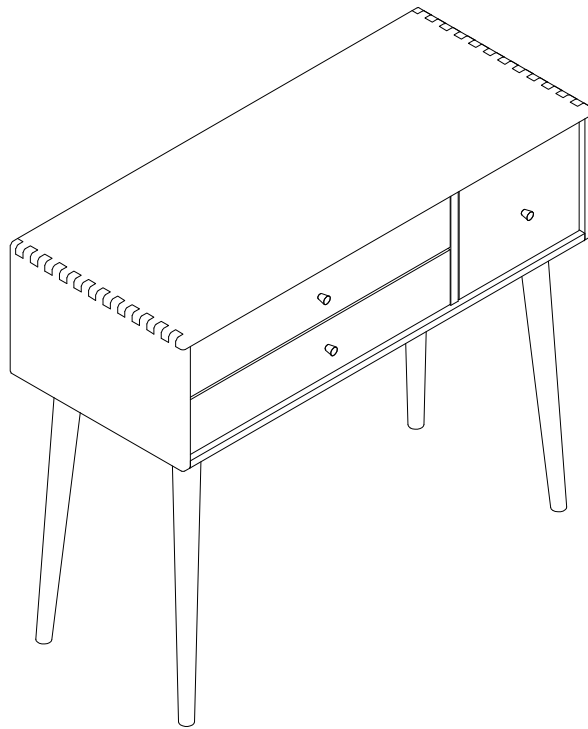


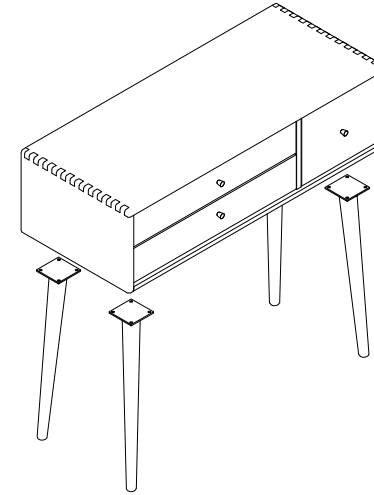
# Assembly Instructions

## Solidwood Fuji Dressing Table (78cm)

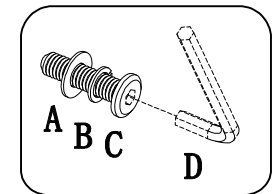
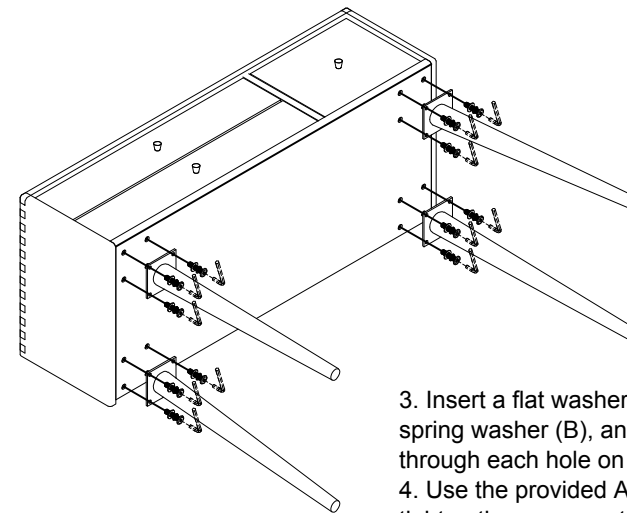


1

1. Place the dressing table upside down on a soft surface to avoid scratches.
2. Align each leg with the pre-drilled holes located at the corners of the underside of the table.



2



3. Insert a flat washer (A), followed by a spring washer (B), and then a screw (C) through each hole on the leg.
4. Use the provided Allen key (D) to securely tighten the screws, attaching the legs to the table. Repeat for all four legs.



A x 16



B x 16



C x 16



D x 1