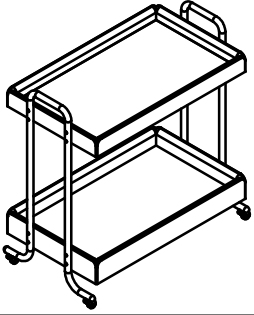


# Assembly Instructions



Hardware List

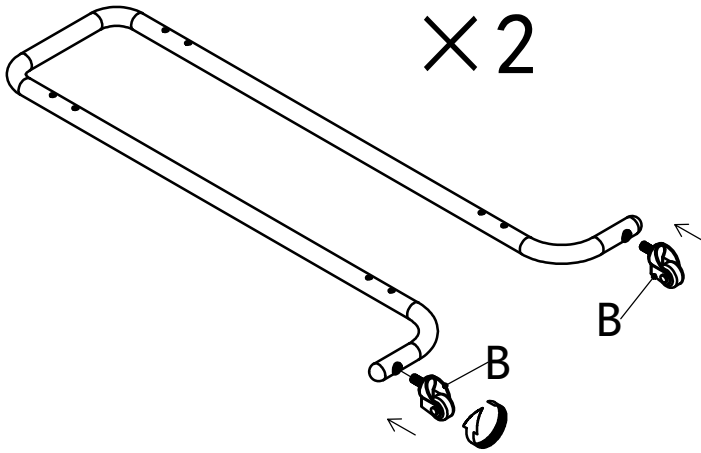


A=16

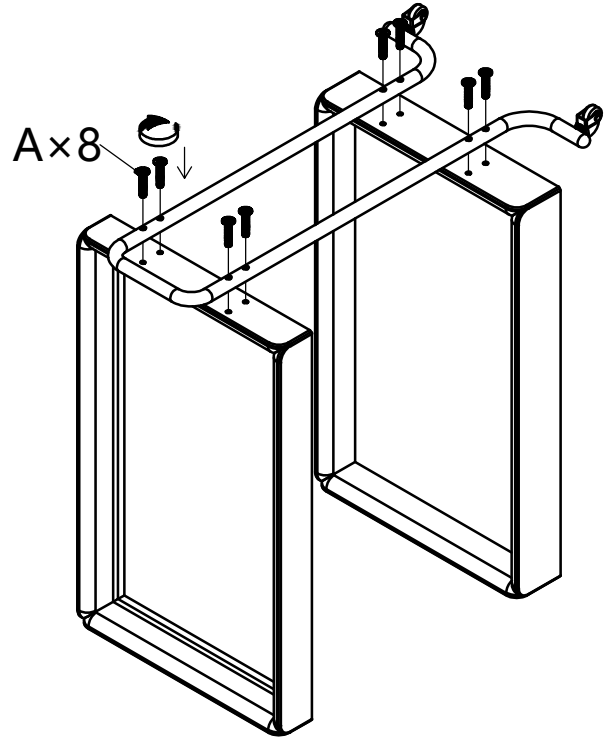


B=4

1. Attach the castors to the bottom of the legs. Ensure you place the castor with locks on one side and the ones without locks on the other.



2. Attach the legs using 8 screws (A) on each side. Please prepare a crosshead screwdriver for this step.



3. Carefully place the glass top onto the assembled frame of the trolley. The installation is complete.

