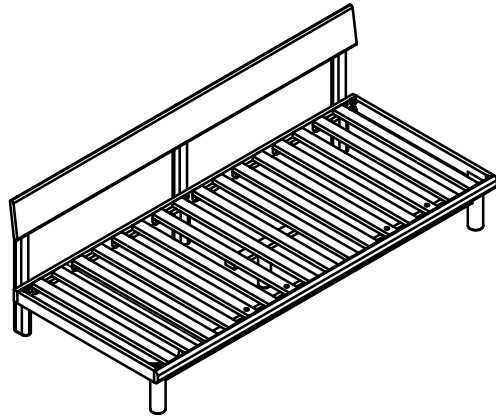


Assembly Instructions

Amber Sofa 150cm

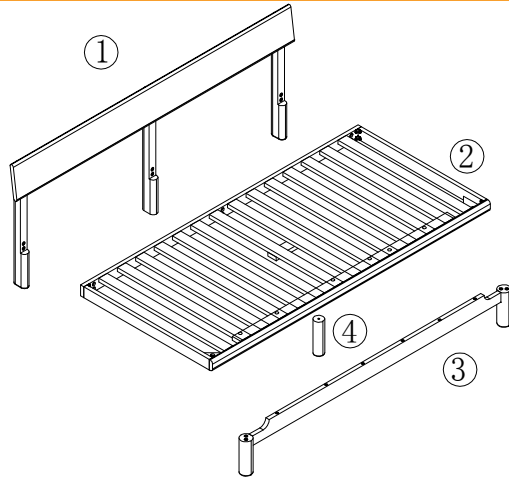
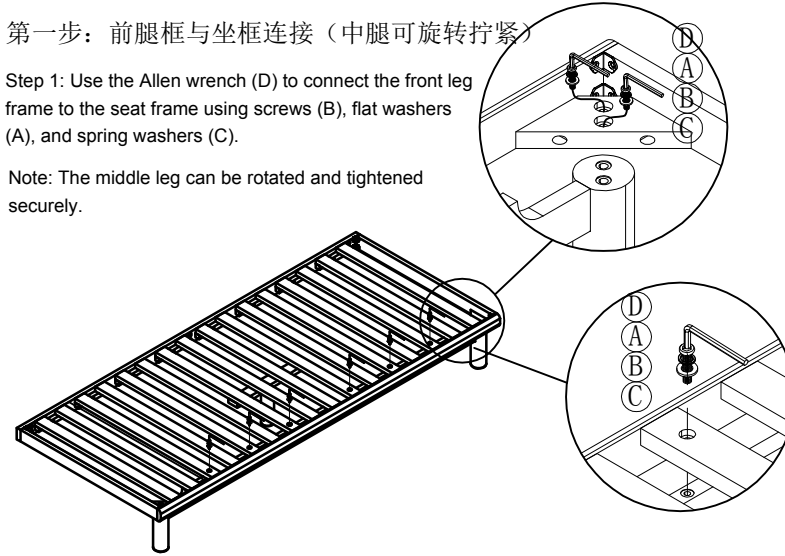
Assembled Product Diagram:



第一步：前腿框与坐框连接（中腿可旋转拧紧）

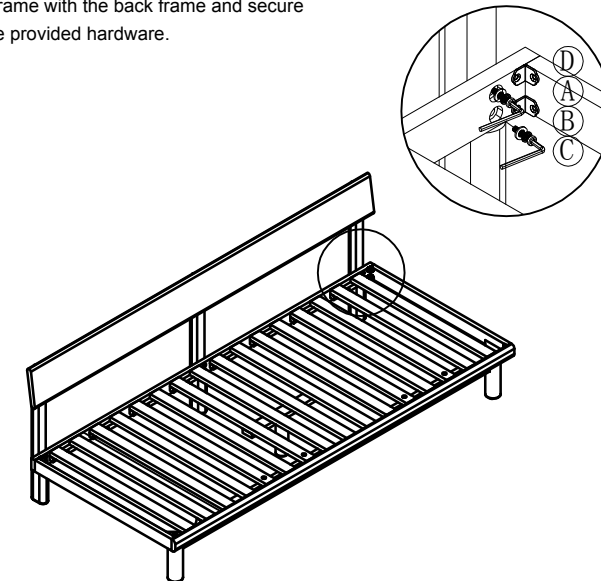
Step 1: Use the Allen wrench (D) to connect the front leg frame to the seat frame using screws (B), flat washers (A), and spring washers (C).

Note: The middle leg can be rotated and tightened securely.

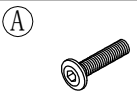
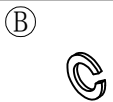
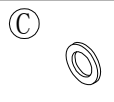
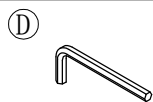


第二步：坐框与背框连接

Step 2: Align the seat frame with the back frame and secure them together using the provided hardware.



Hardware List:

| | | | |
|---|---|---|---|
|  |  |  |  |
| Screws=16 | Spring Washers=16 | Flat Washers=16 | Allen Wrench=1 |