

Linspire

Assembly Manual

Product Name : M1B013060

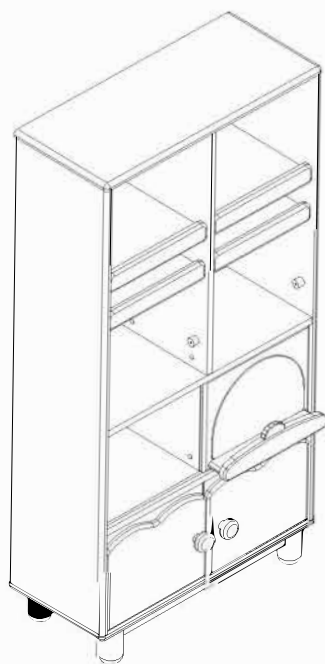
Specifications

800*410*1600mm



Installation Tools

Installation People Need



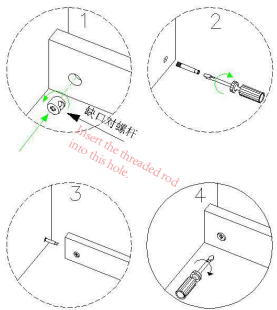
Note: Installation should be performed by adults only, and keep children away.
Place the product against the wall when in use.

Hardware Chart

 (A) *8 Powerful 4-in-1 Rod M6*Φ 6*52	 (B) *8 4-in-1 Locking mechanism D15*13	 (C) *50 3-in-1 Rod M6*35	 (D) *50 3-in-1 Locking mechanism D15*12
 (E) *2 Hex Socket Screw M6*30	 (F) *4 Hex Socket Screws M6*60	 (G) *2 Hex Socket Screws M6*75	 (H) *1 L-Shaped Wrench Φ 4*51*21
 (I) *4 Countersunk Self-Tapping Screws Φ 4*20	 (J) *24 Countersunk Self-Tapping Screws Φ 4*30	 (K) *4 Hinge DTC Φ 35	 (L) *2 Nylon Air Vent Φ 58
 (M) *2 Wood Plug Φ 8*20	 (N) *1 Wood Plug Φ 8*35	 (O) *2 magnetic Door Catch 41*15*12	 (P) *8 Self-Tapping Screws Φ 3*16
 (Q) *2 Anti-Tip Device	 (R) *4 Felt Pads Φ 20*4		

部件表

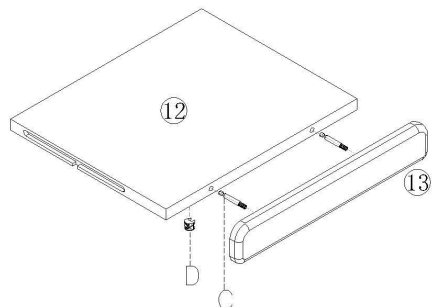
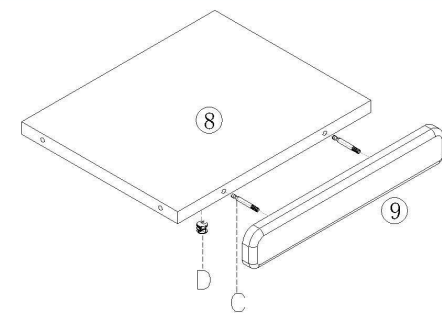
NO.	Name	Specifications	QTY	Material
①	Side Panel	1440*348*20	2	Maple Wood
②	Left Back Frame	1444*385*20	1	Maple Wood
③	Right Back Frame	1444*379*20	1	Maple Wood
④	Top Panel	800*350*20	1	Maple Wood
⑤	Bottom Panel	800*350*20	1	Maple Wood
⑥	Upper Middle Shelf	784*321*20	1	Maple Wood
⑦	Lower Middle Shelf	300*298*20	1	Maple Wood
⑧	Fixed Shelf	367*296*18	2	Maple Wood
⑨	Fixed Shelf Front Strip	367*60*17	2	Maple Wood
⑩	Middle Shelf	756*323*20	1	Maple Wood
⑪	Lower Shelf	756*323*20	1	Maple Wood
⑫	Adjustable Shelf	366*296*20	2	Maple Wood
⑬	Adjustable Shelf Front Strip	366*60*20	2	Maple Wood
⑭	Adjustable Shelf Lower Strip	210*25*20	4	Maple Wood
⑮	Adjustable Shelf Lower Round Pads	25*25*20	8	Maple Wood
⑯	Picture Book Sliding Door	311*388*17	1	Pine Finger Joint Board
⑰	Sliding Door Blackboard	342*241*12	1	Maple Wood
⑱	Sliding Door Bottom Panel	360*50*20	1	Maple Wood
⑲	Lower Door Pane	287*375*17	2	Pine Finger Joint Board
⑳	Foot Frame	724*330*120	1	Maple Wood
㉑	Lower Door Panel Stop Strip	375*70*9	2	Maple Wood
㉒	Lower Door Panel Handle	40*55*55	2	Maple Wood
㉒	Sliding Door Front Stop Strip	382*70*20	1	Maple Wood
㉔	Front Decorative Strip	77*50*15	1	Maple Wood



(C) *8



(D) *8



1



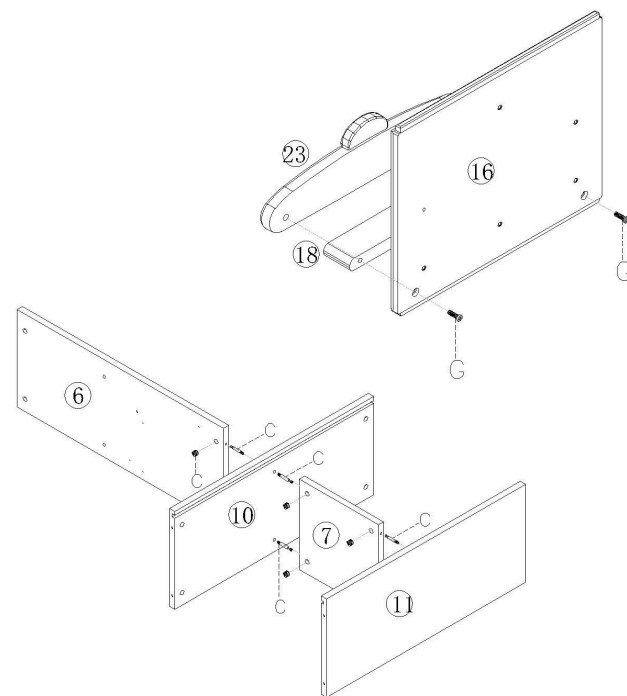
(G) *2



(C) *6



(D) *6



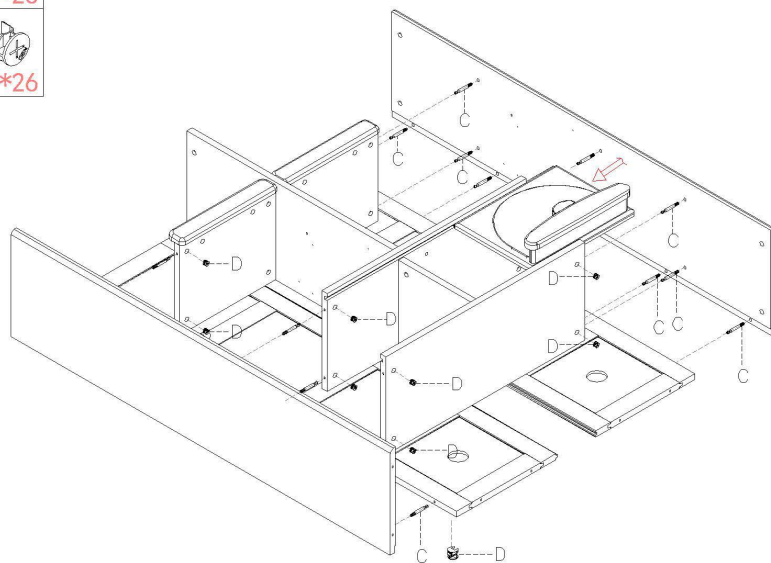
2



(C) *26



(D) *26



3



(A) *8



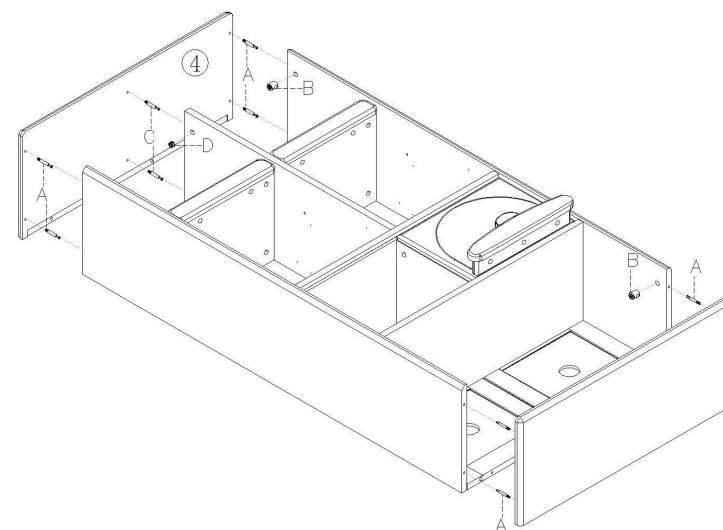
(D) *8



(C) *10

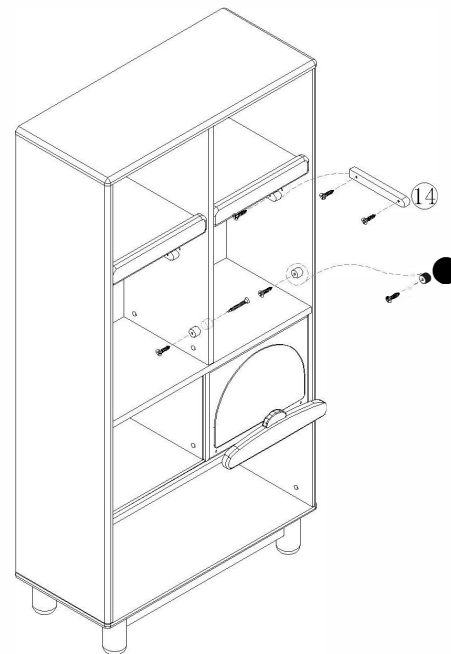
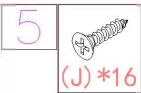
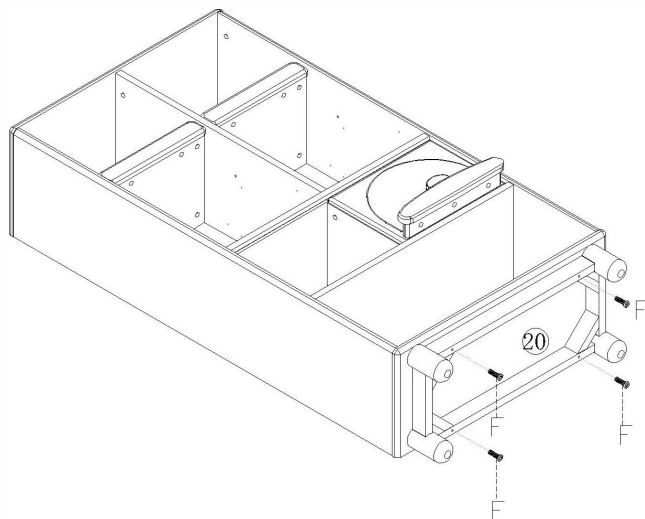
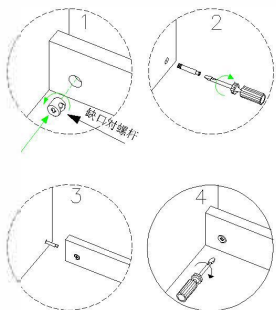


(D) *10

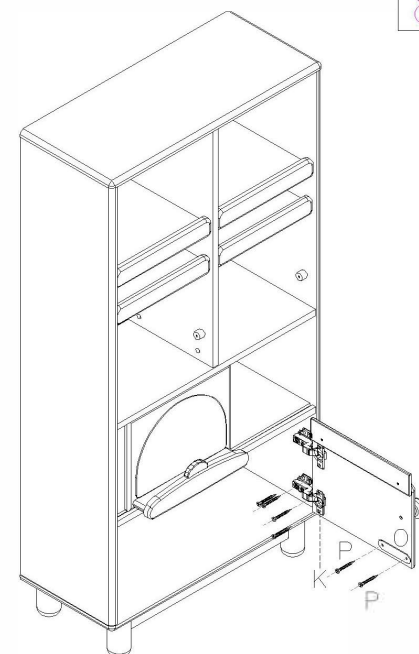
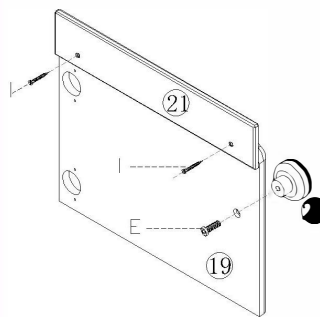
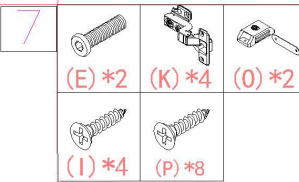
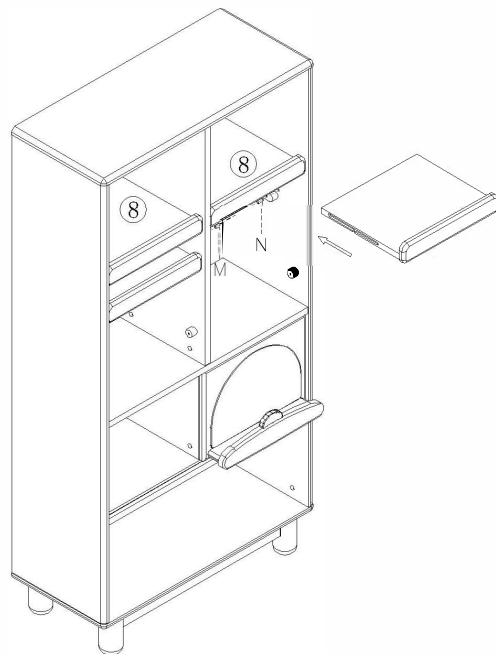
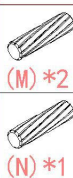


4

Installation Method



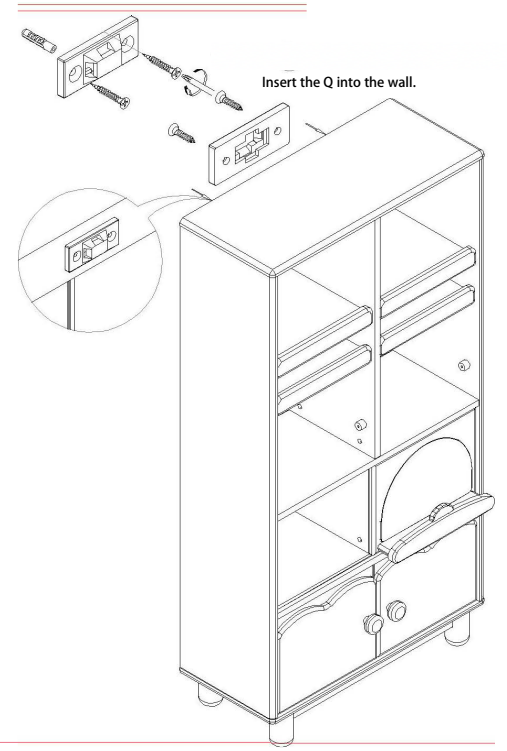
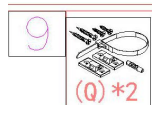
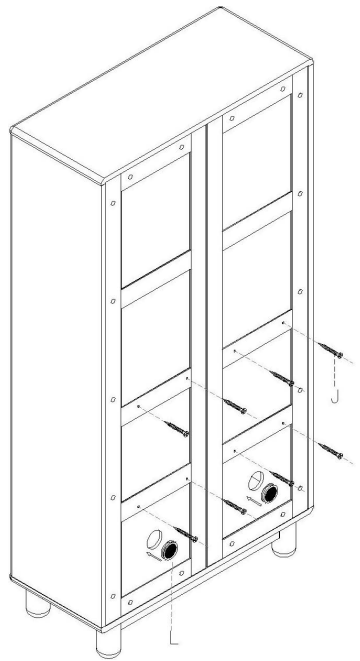
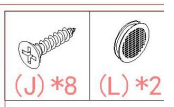
6



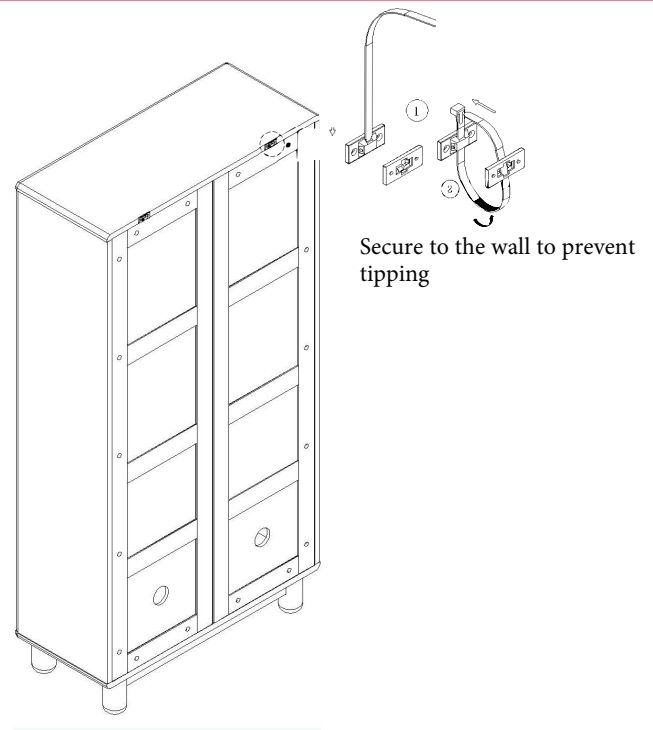
8

Note: The door comes with self-tapping screws.

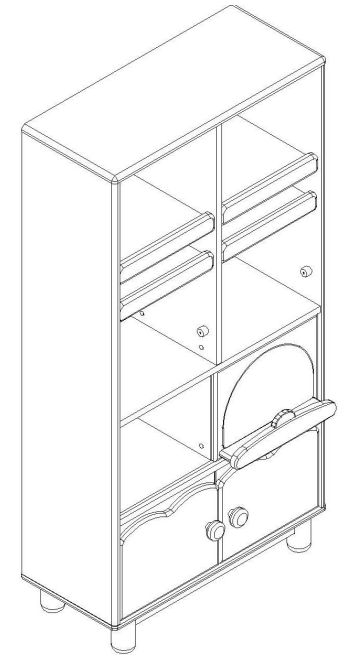
Installation Method



10



11



12