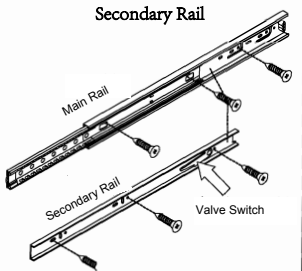
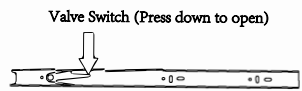
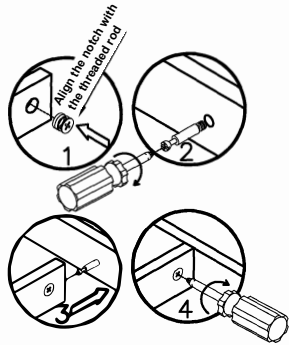
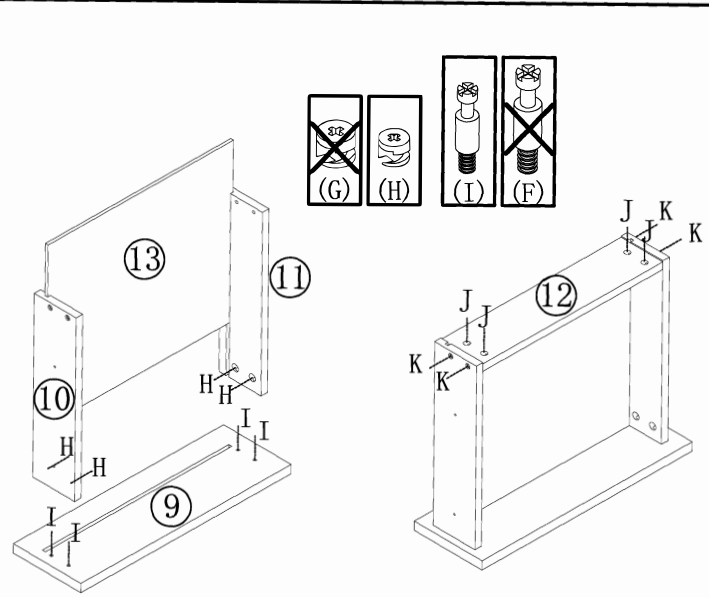




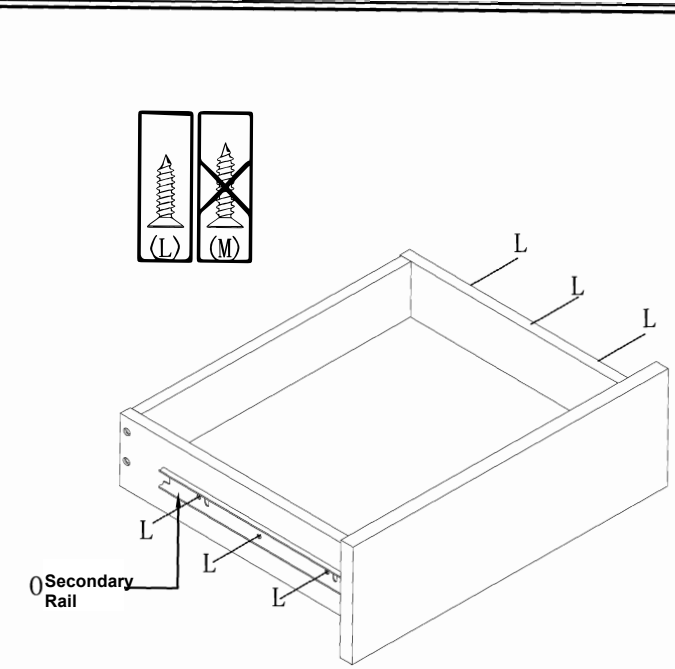
Installation Method



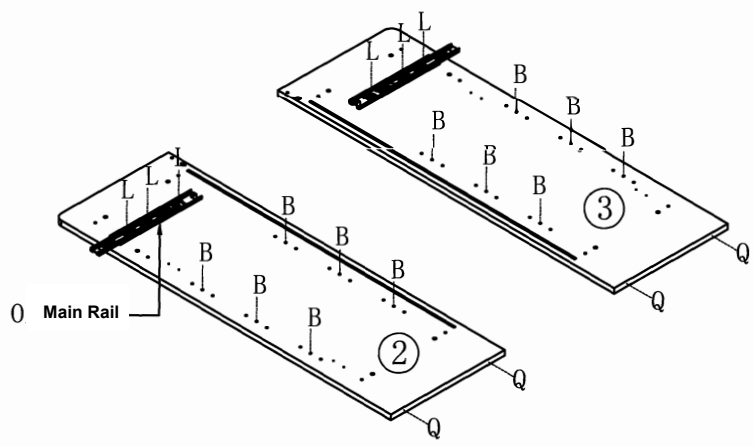
- (H) \*4
- (I) \*4
- (J) \*4
- (K) \*4



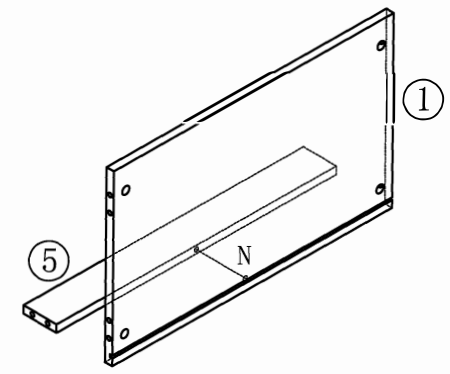
- (L) \*6
- (O) \*1



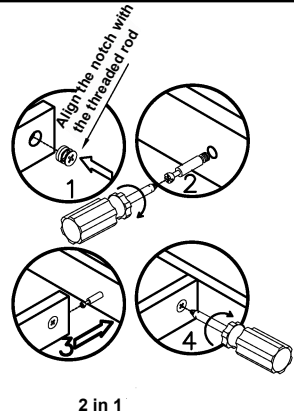
- (B) \*12
- (L) \*6
- (O) \*1
- (Q) \*4



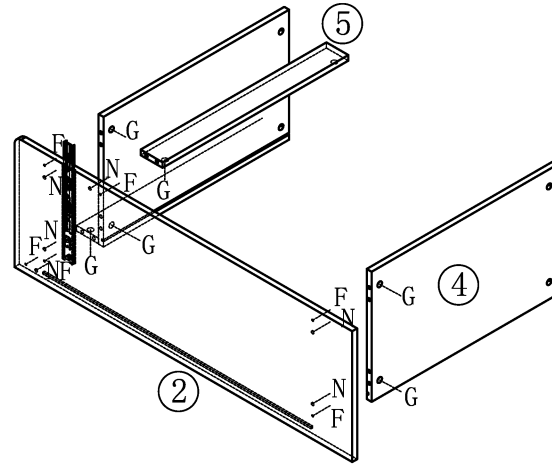
- (N) \*1



**Installation Method**

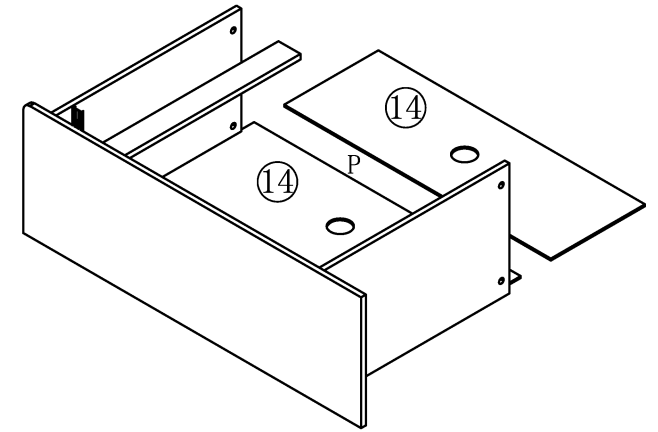


- (F) \*6
- (G) \*6
- (N) \*6



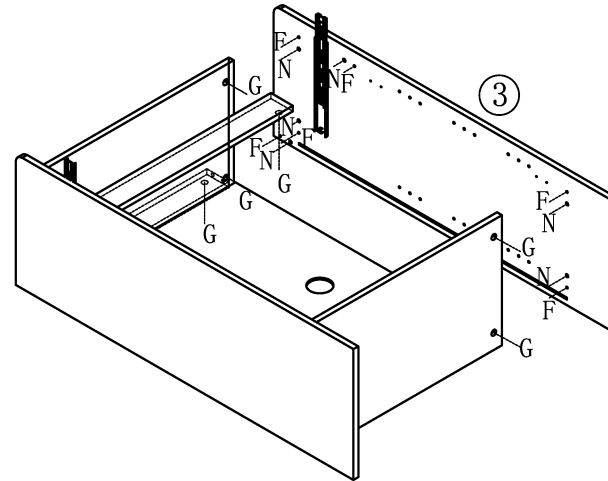
5

- (P) \*1

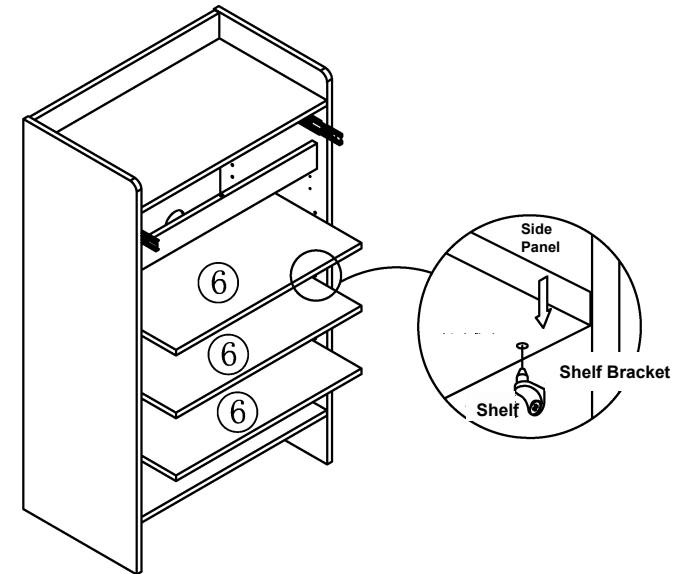


6

- (F) \*6
- (G) \*6
- (N) \*6



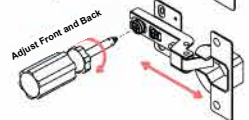
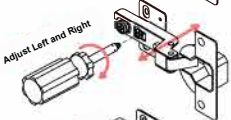
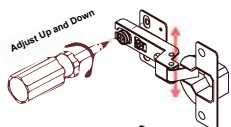
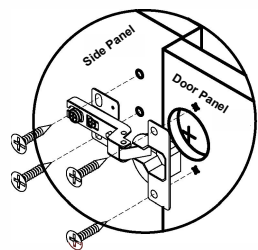
7



8

JS1N-A Shoe Cabinet

Installation Method

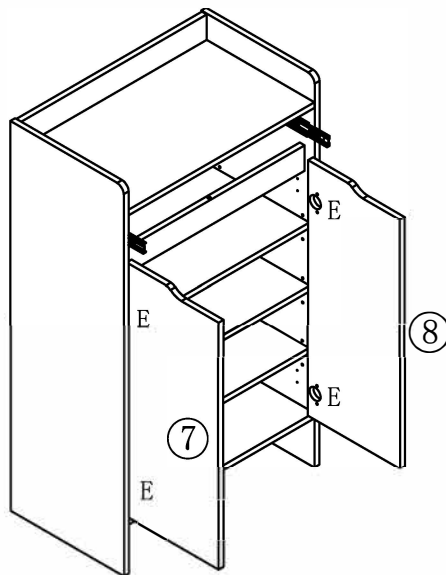


Door Hinge Installation and Adjustment Method (Includes Screws)

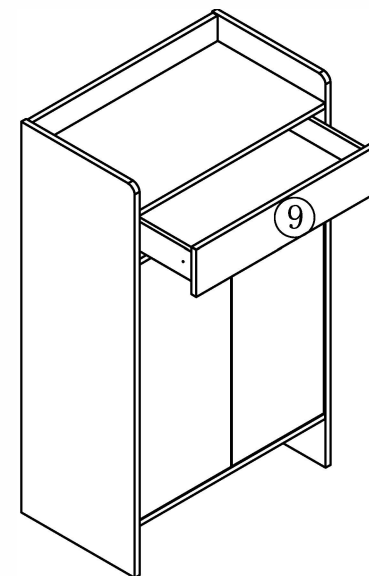


(E) \*4

9



10



Note: There is a designed gap between the drawer front panel and the door panel for proper operation. Be cautious of pinching.

11



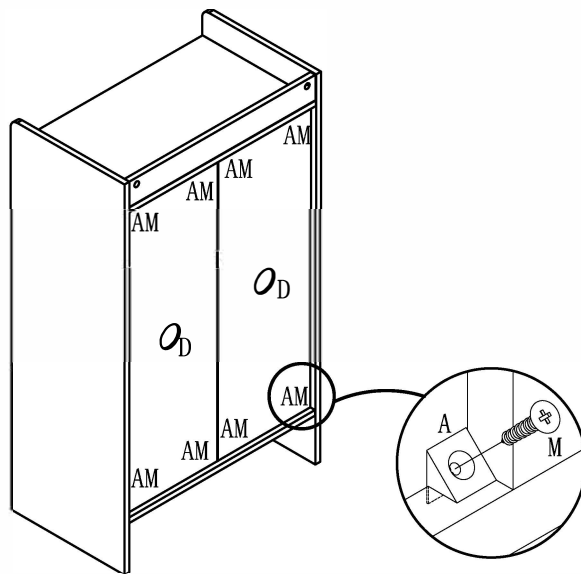
(A) \*8

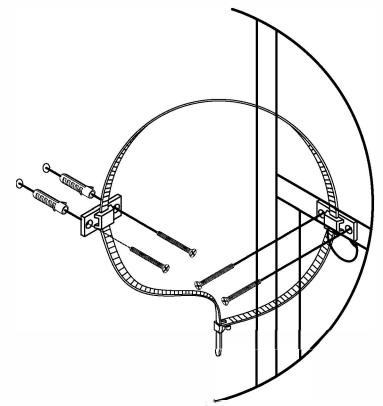


(D) \*2

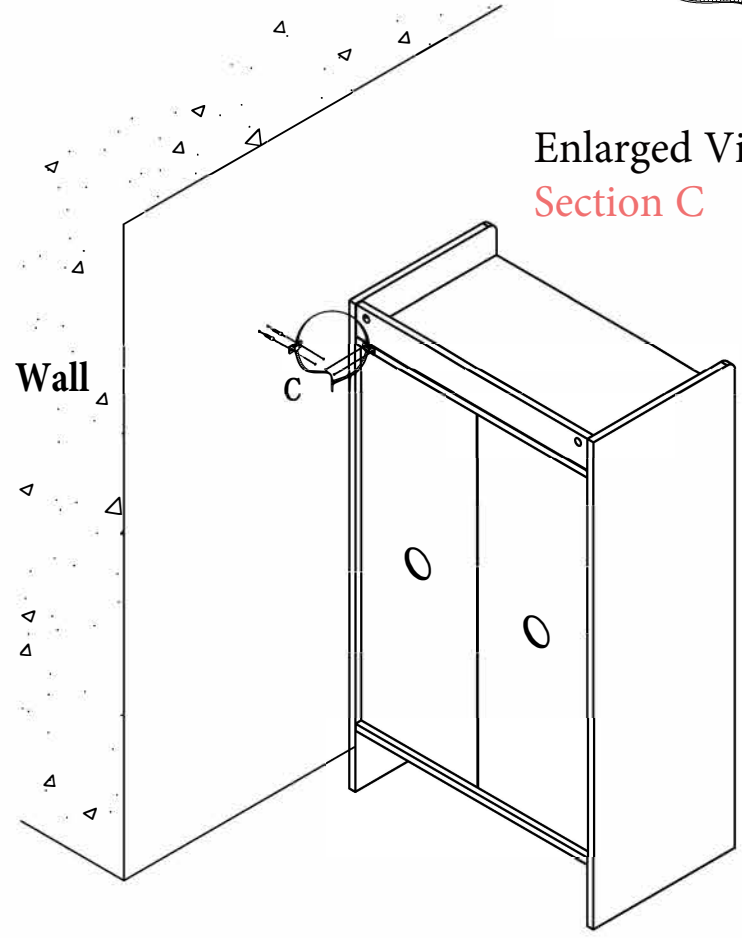


(M) \*8





Enlarged View of  
Section C



Wall

