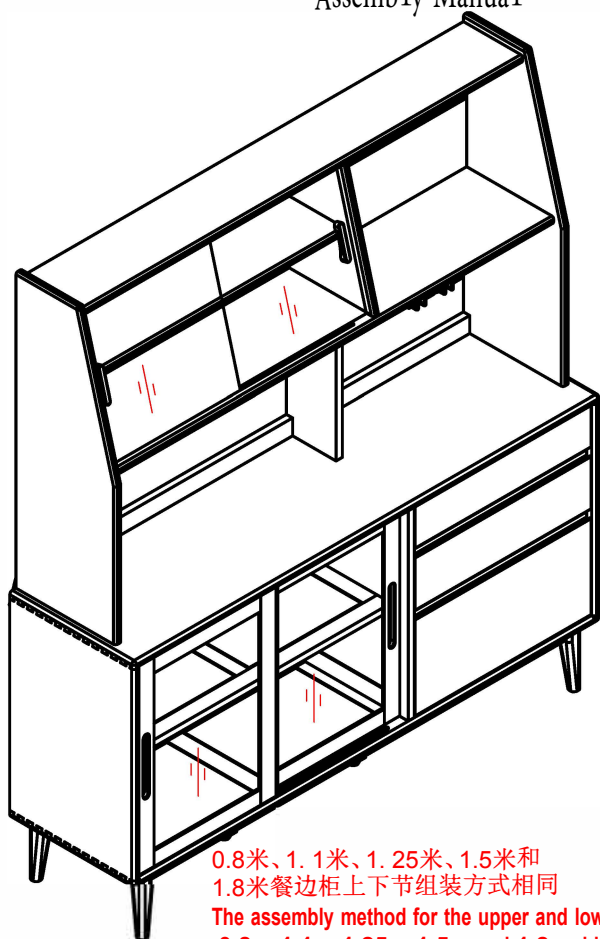


组装说明书

Assembly Manual



0.8米、1.1米、1.25米、1.5米和
1.8米餐边柜上下节组装方式相同

The assembly method for the upper and lower sections of the
0.8m, 1.1m, 1.25m, 1.5m, and 1.8m sideboards is the same.



A=2



B=1 (自备工具 Tool included)

