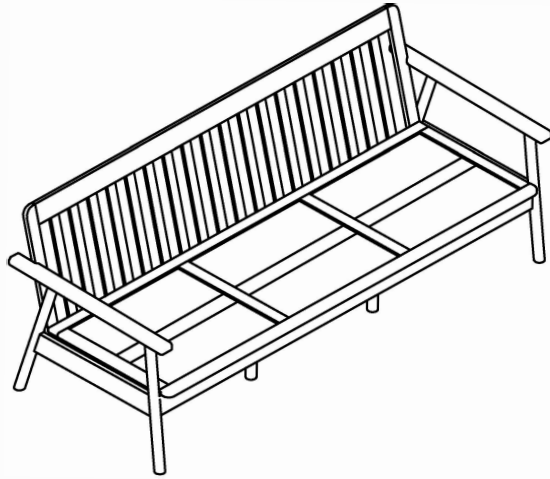


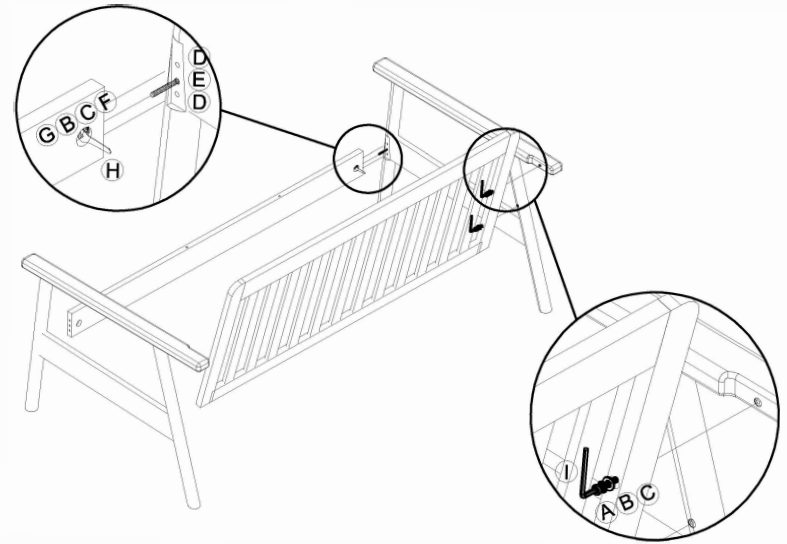
产品型号: 西雅图B沙发 (三人位)
 Product Model: Seattle B Sofa (3-Seater)

组装说明书 Assembly Manual

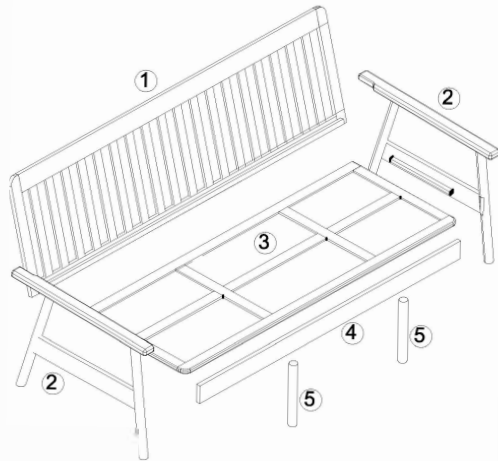
成品图:
 Assembly View



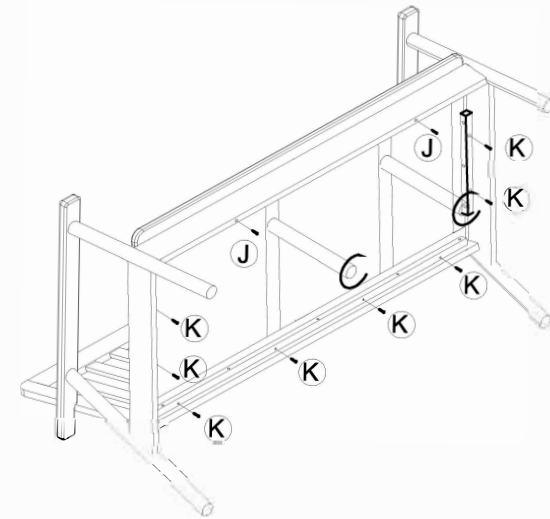
第一步:
 Step 1:



爆炸图:
 Exploded View:



第二步:
 Step 2:



五金清单:
 Hardware List:

A  M8 Hex Socket Screws x 4 内六角螺钉 M8 x 4	B  M8 Spring Washer x 6 M8 弹垫 X 6	C  M8 Flat Washer x 6 M8 垫片 X 6	D  Wooden Dowels ϕ 10*30 x 2 木榫 ϕ 10*30 X 2	E  Fully Threaded Screws M8*80 x 2 全丝螺钉 M8*80 X 2	F  Half-Moon Washer x 2 半月牙 X 2
G  Nut x 2 螺母 X 2	H  Wrench x 1 扳手 X 1	I  Hex Key x1 M5 x 1 内六角 M5 X 1	J  Self-Tapping Screws M4*90 x 2 自攻丝 M4*90 X 2	K  Self-Tapping Screws M4*30 x 8 M4*30 自攻丝 X 8	