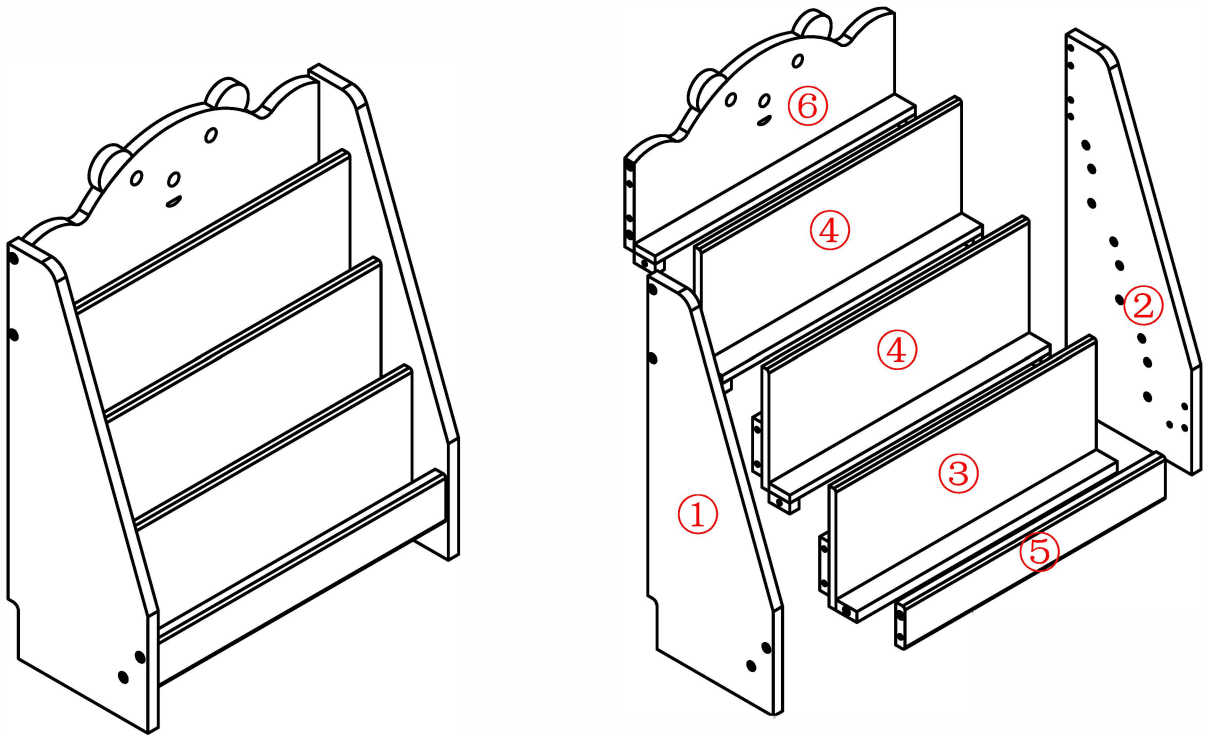


# 组装说明书



注：五层书架组装方式与四层书架组装方式相同，五层书架④号部件有3件，相应的组装五金增加6组。此图为四层书架组装图。

Note: The assembly method for the five-shelf bookshelf is the same as for the four-shelf bookshelf. The five-shelf bookshelf includes 3 pieces of component ④, and the corresponding assembly hardware increases by 6 sets. This diagram is for the four-shelf bookshelf assembly.

