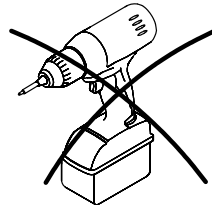
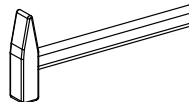
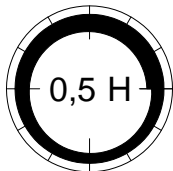
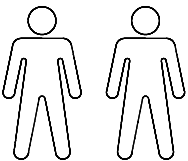
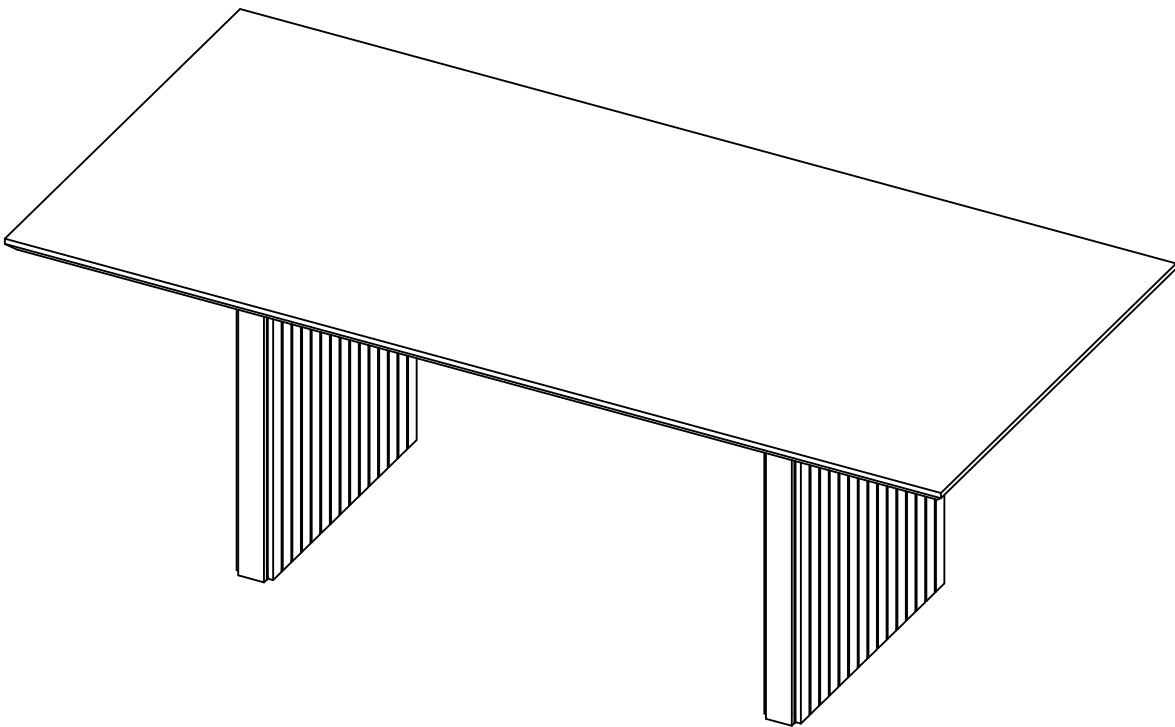
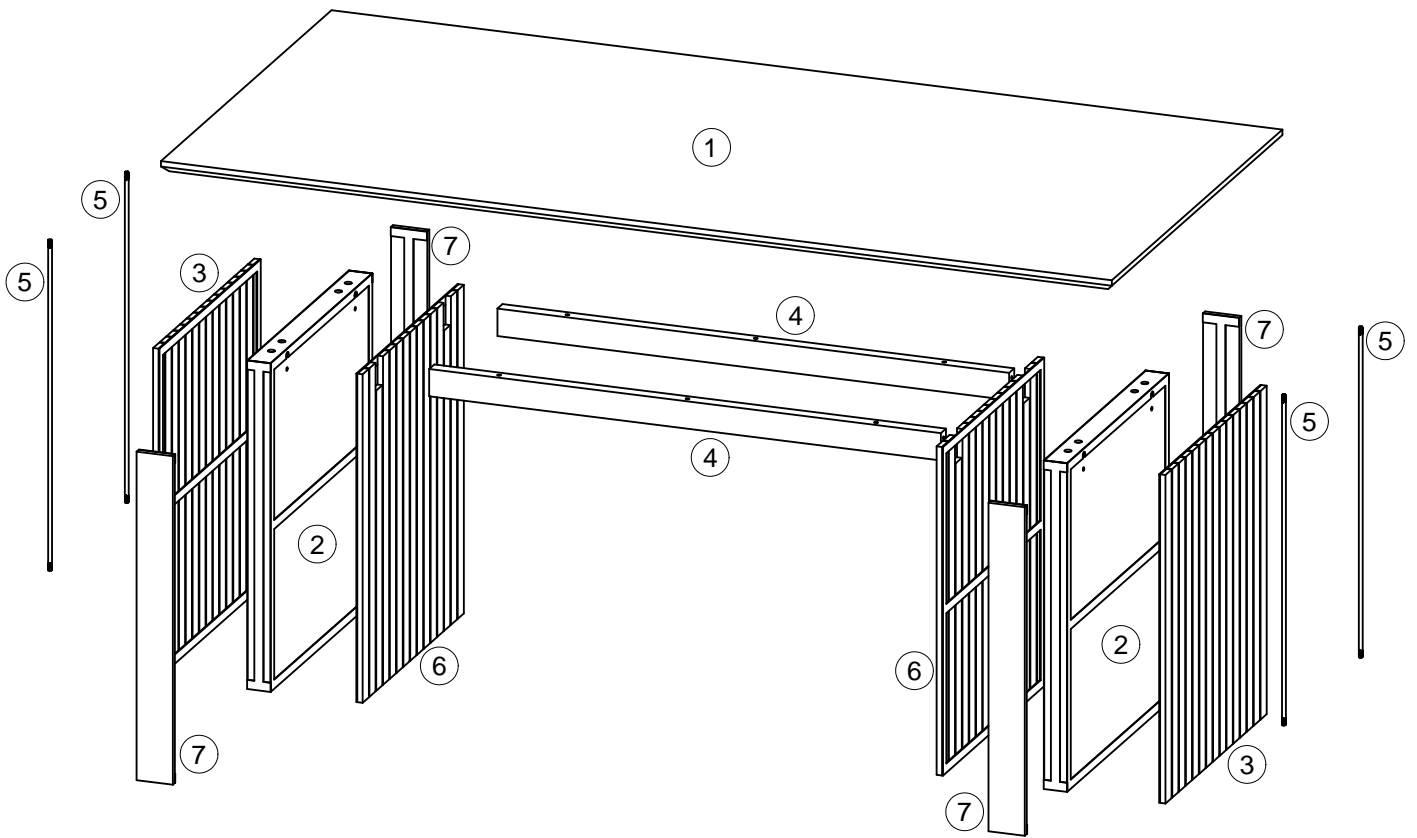
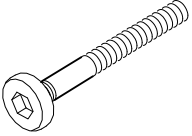
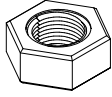
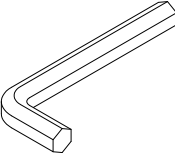
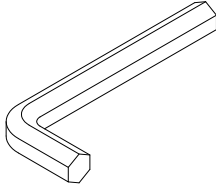
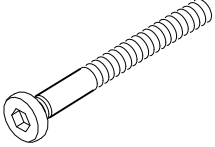
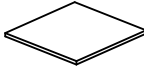
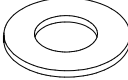
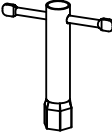
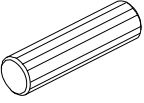


# COLIMA

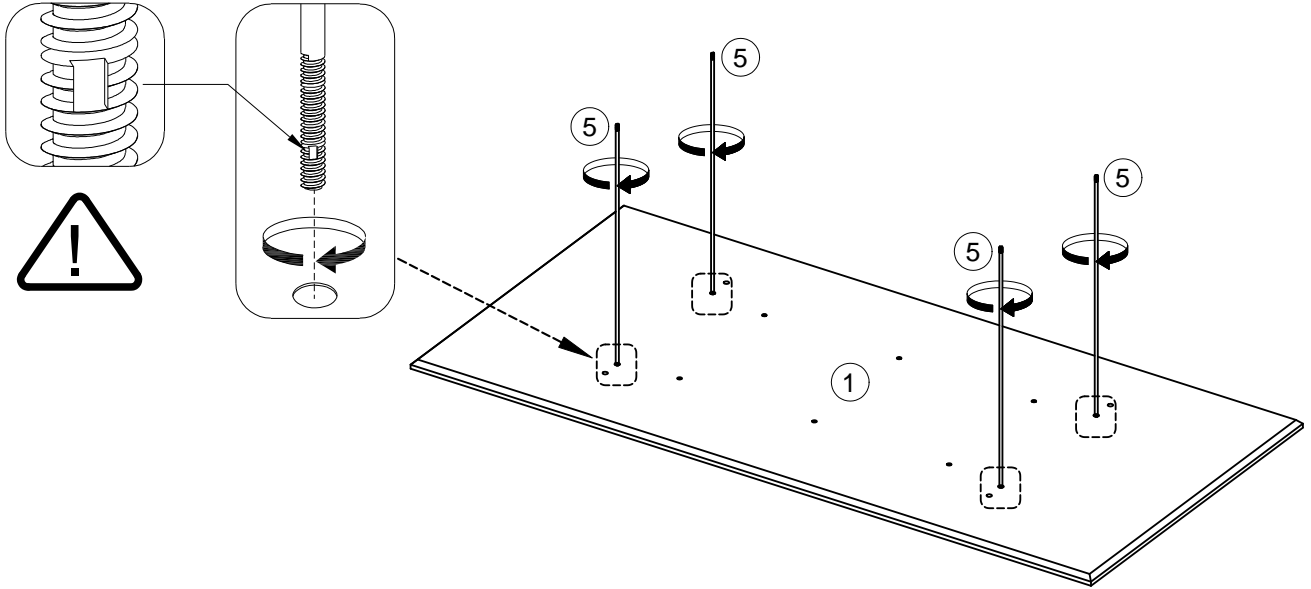


			✓
①	1	2100X1000X25	
②	2	722X595X50	
③	2	720X593X12	
④	2	1130X60X30	
⑤	4	Ø8X735	
⑥	2	720X593X12	
⑦	4	720X82X12	

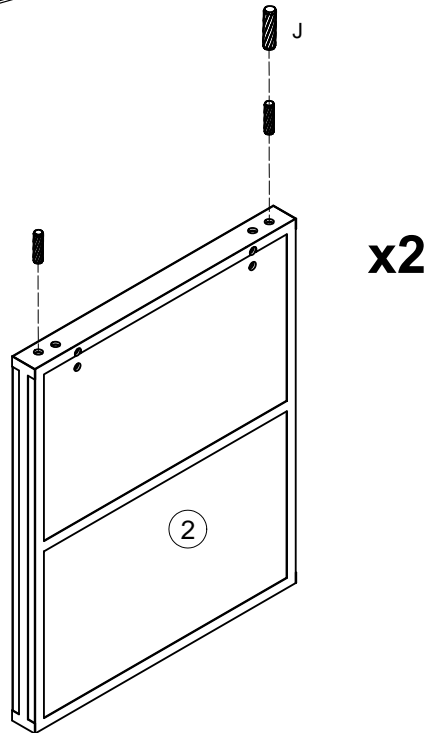
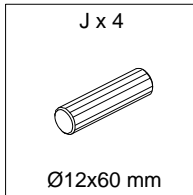


<p><b>A x 6</b></p>  <p><b>M6x75 mm</b></p>	<p><b>B x 4</b></p>  <p><b>M8/14 mm</b></p>	<p><b>C x 1</b></p>  <p><b>4 mm</b></p>	<p><b>D x 1</b></p>  <p><b>5 mm</b></p>	<p><b>E x 8</b></p>  <p><b>M8x75 mm</b></p>
<p><b>F x 4</b></p>  <p><b>35x35x3 mm</b></p>	<p><b>G x 4</b></p>  <p><b>Ø10/Ø20 mm</b></p>	<p><b>H x 1</b></p>  <p><b>14 mm</b></p>	<p><b>J x 4</b></p>  <p><b>Ø12x60 mm</b></p>	

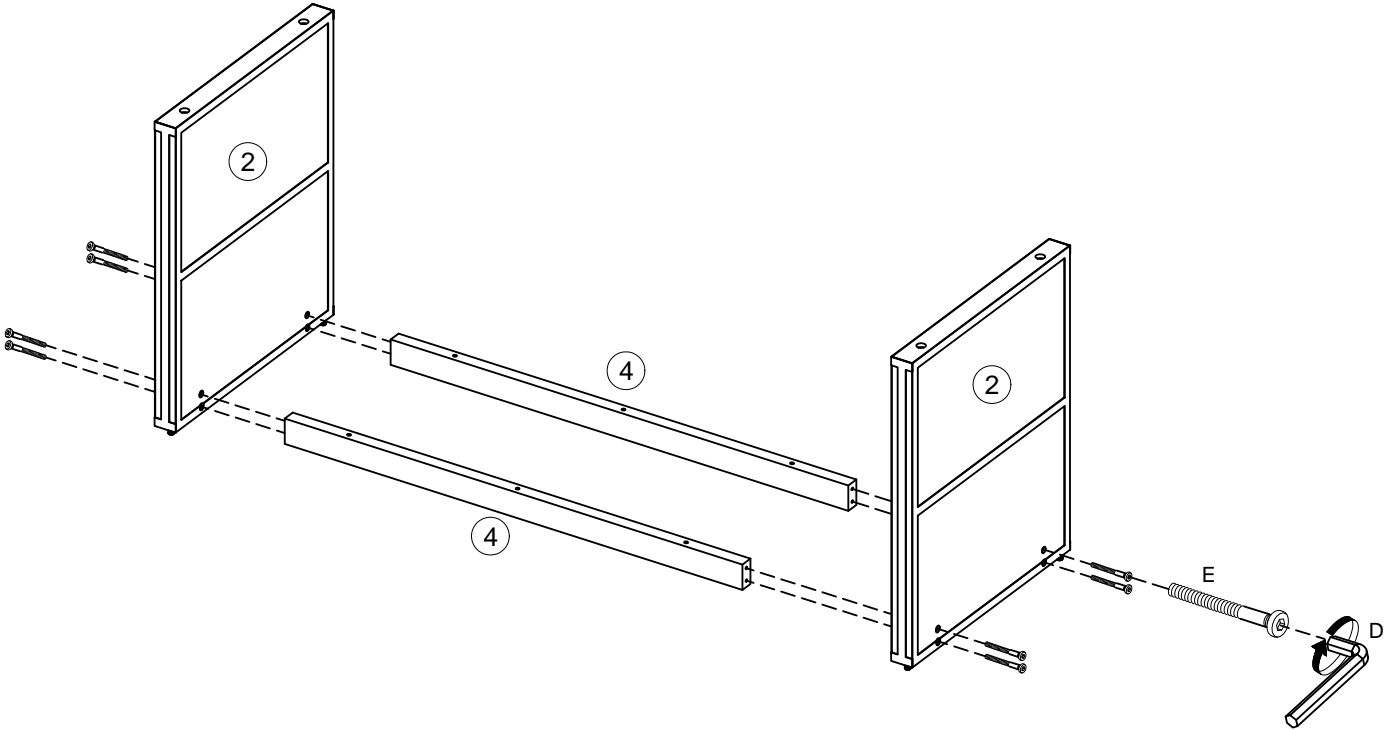
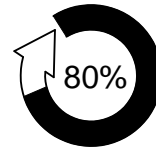
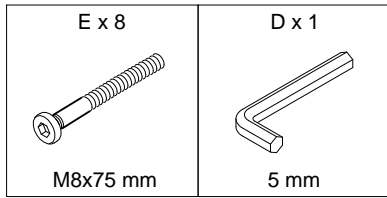
# 1



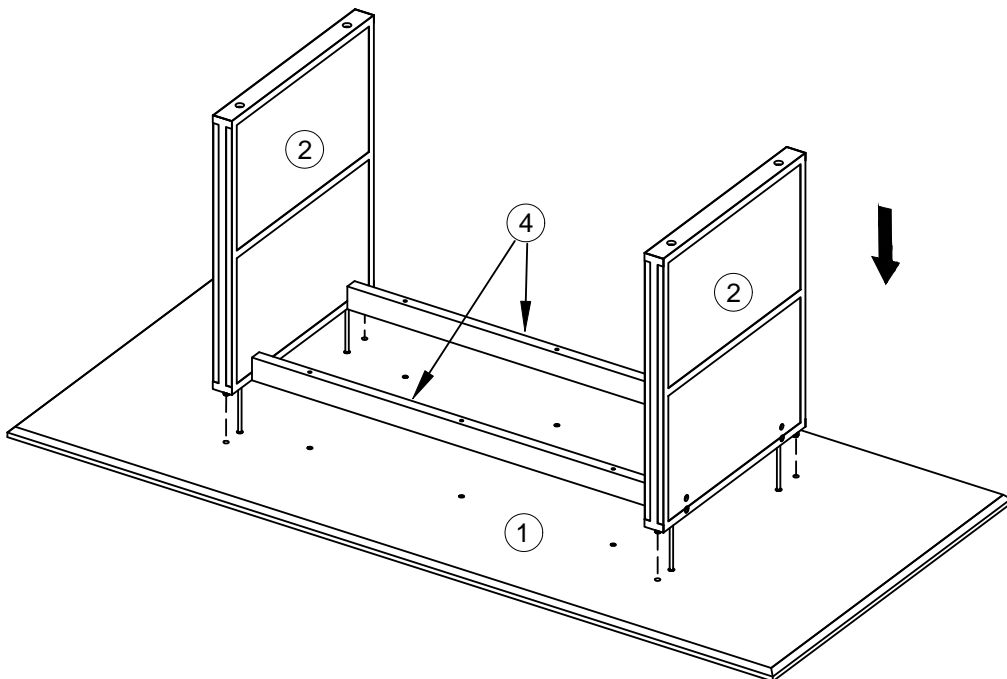
# 2



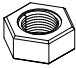

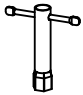
# 3

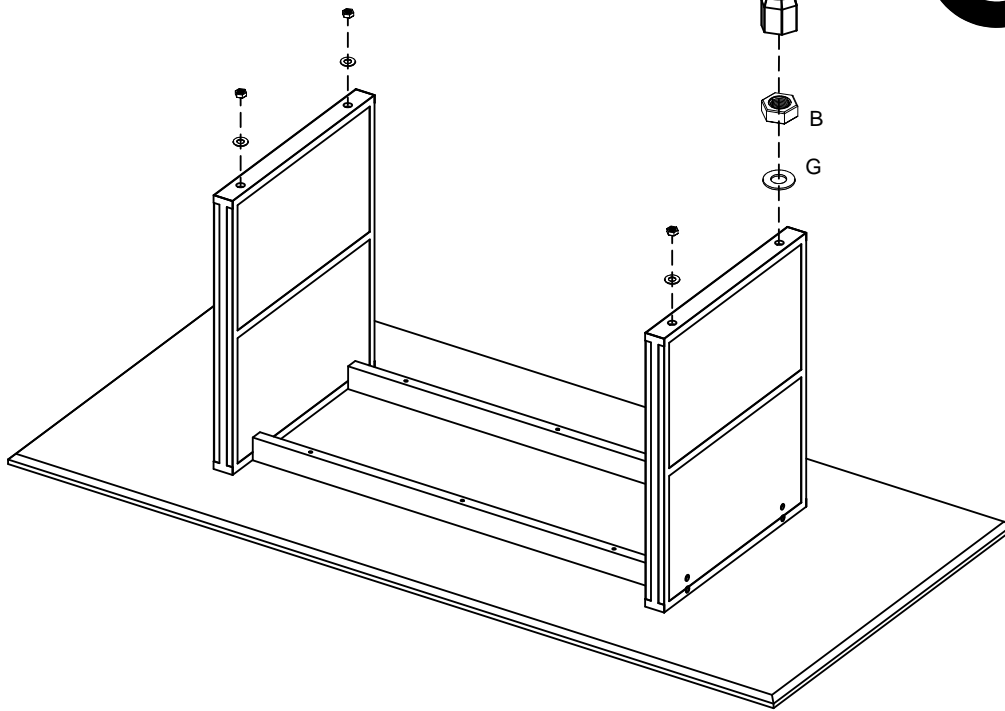
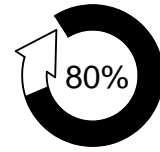
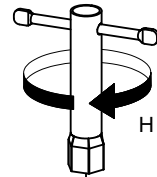


# 4

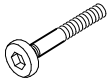
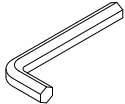
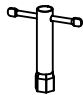


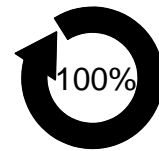
# 5

B x 4  M8/14 mm	G x 4  Ø10/Ø20 mm	H x 1  14 mm
--------------------------------------------------------------------------------------------------------	----------------------------------------------------------------------------------------------------------	-----------------------------------------------------------------------------------------------------

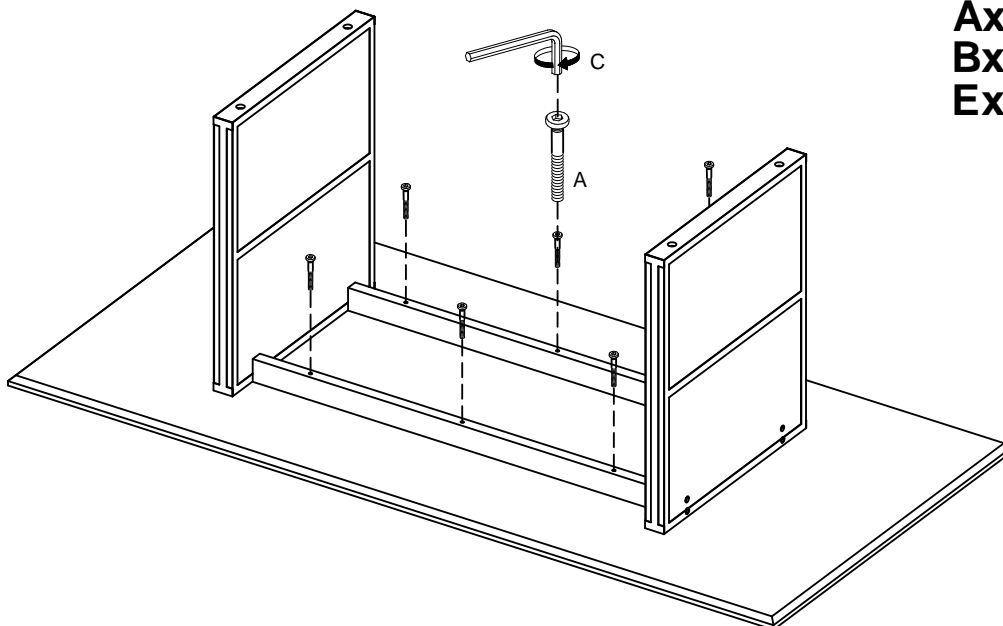


# 6

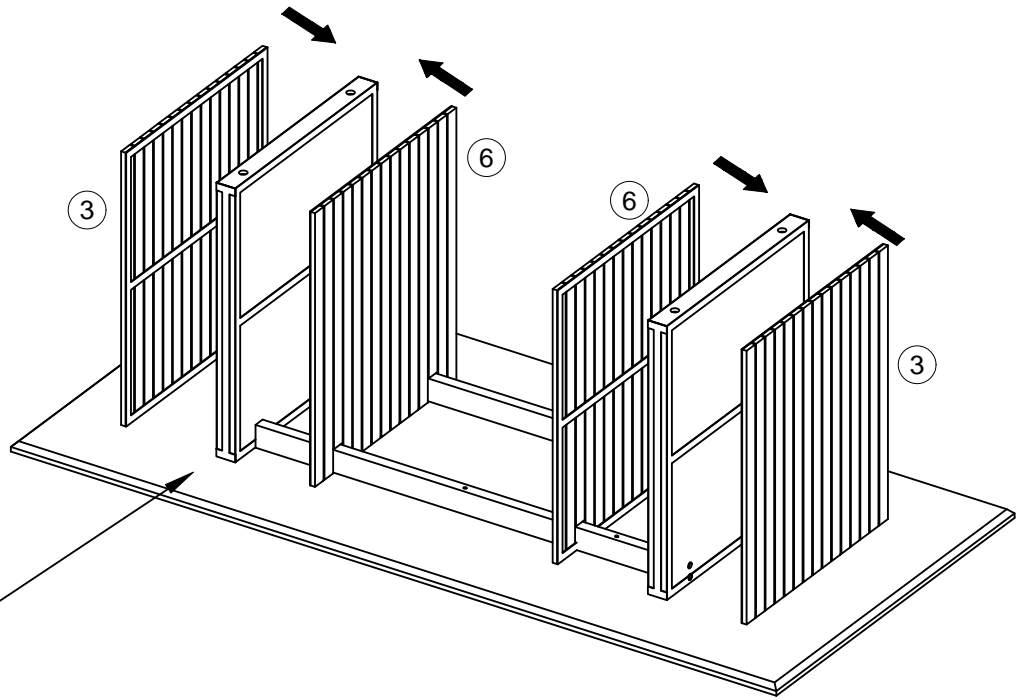
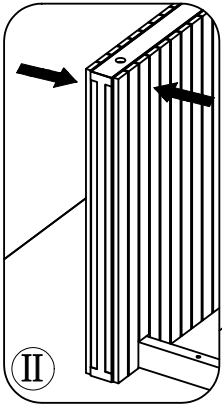
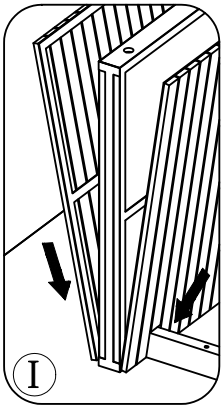
A x 6  M6x75 mm	C x 1  4 mm	H x 1  14 mm
----------------------------------------------------------------------------------------------------------	------------------------------------------------------------------------------------------------------	-------------------------------------------------------------------------------------------------------



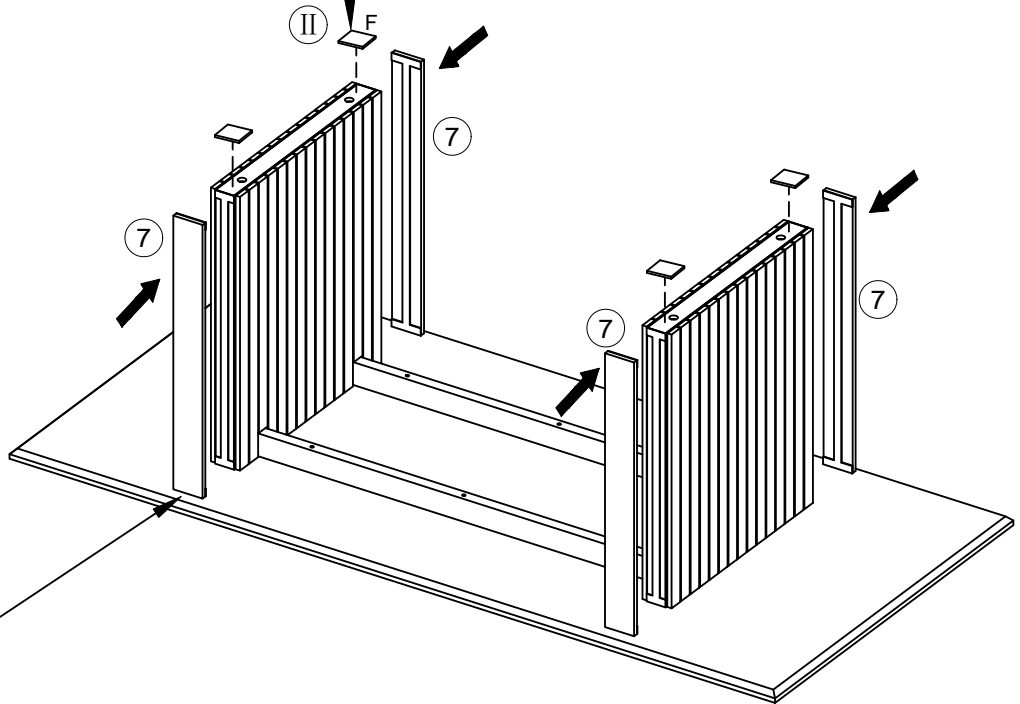
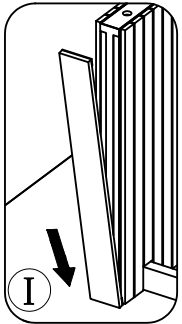
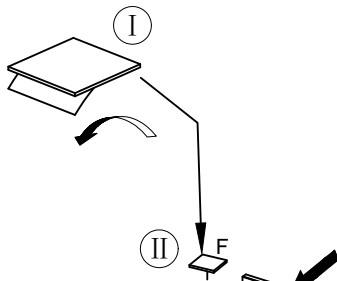
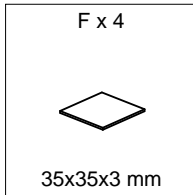
**Ax6**  
**Bx4**  
**Ex8**



# 7



# 8



9

