

# LINSY 林氏家居

## 五金表/Hardware list

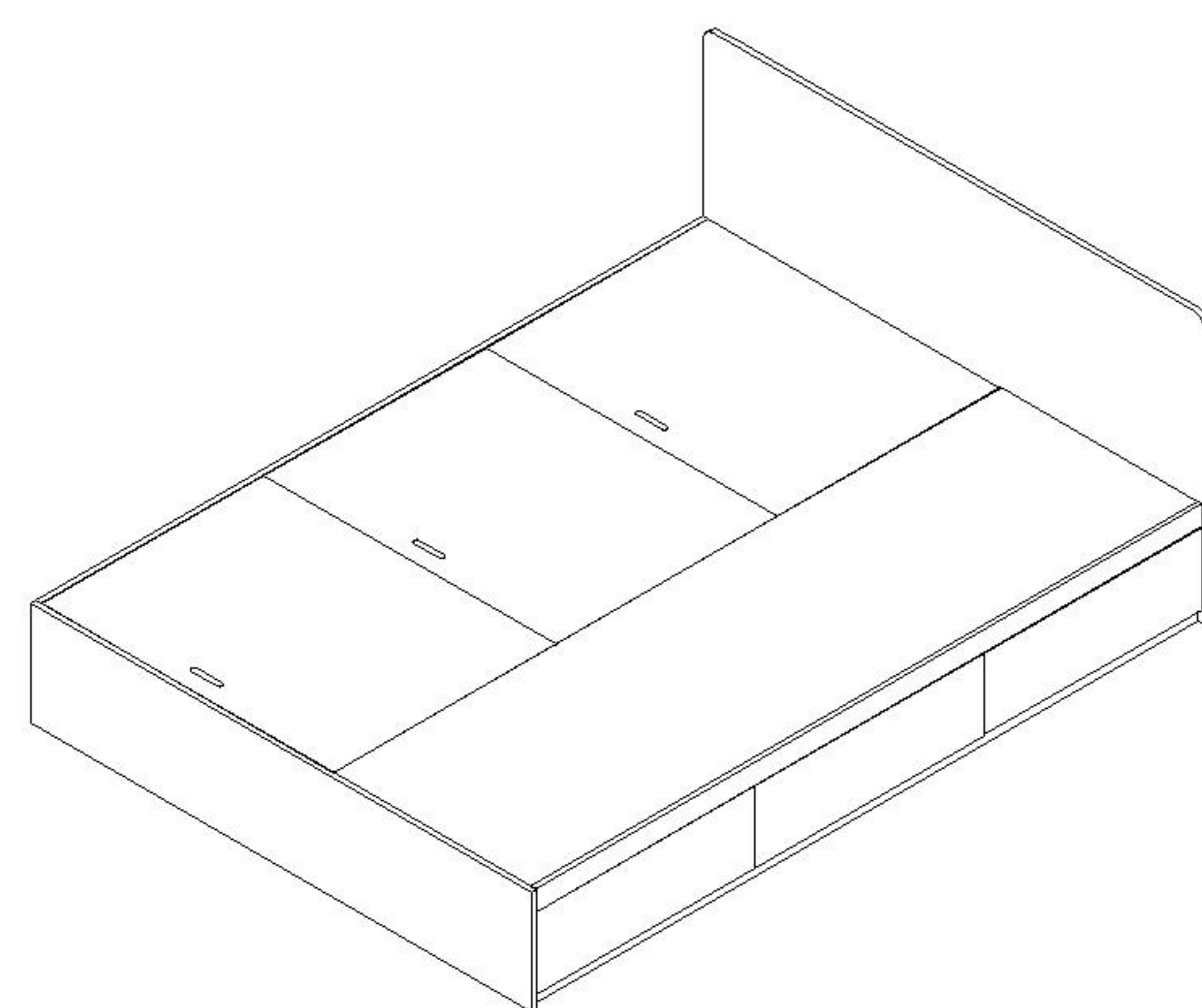
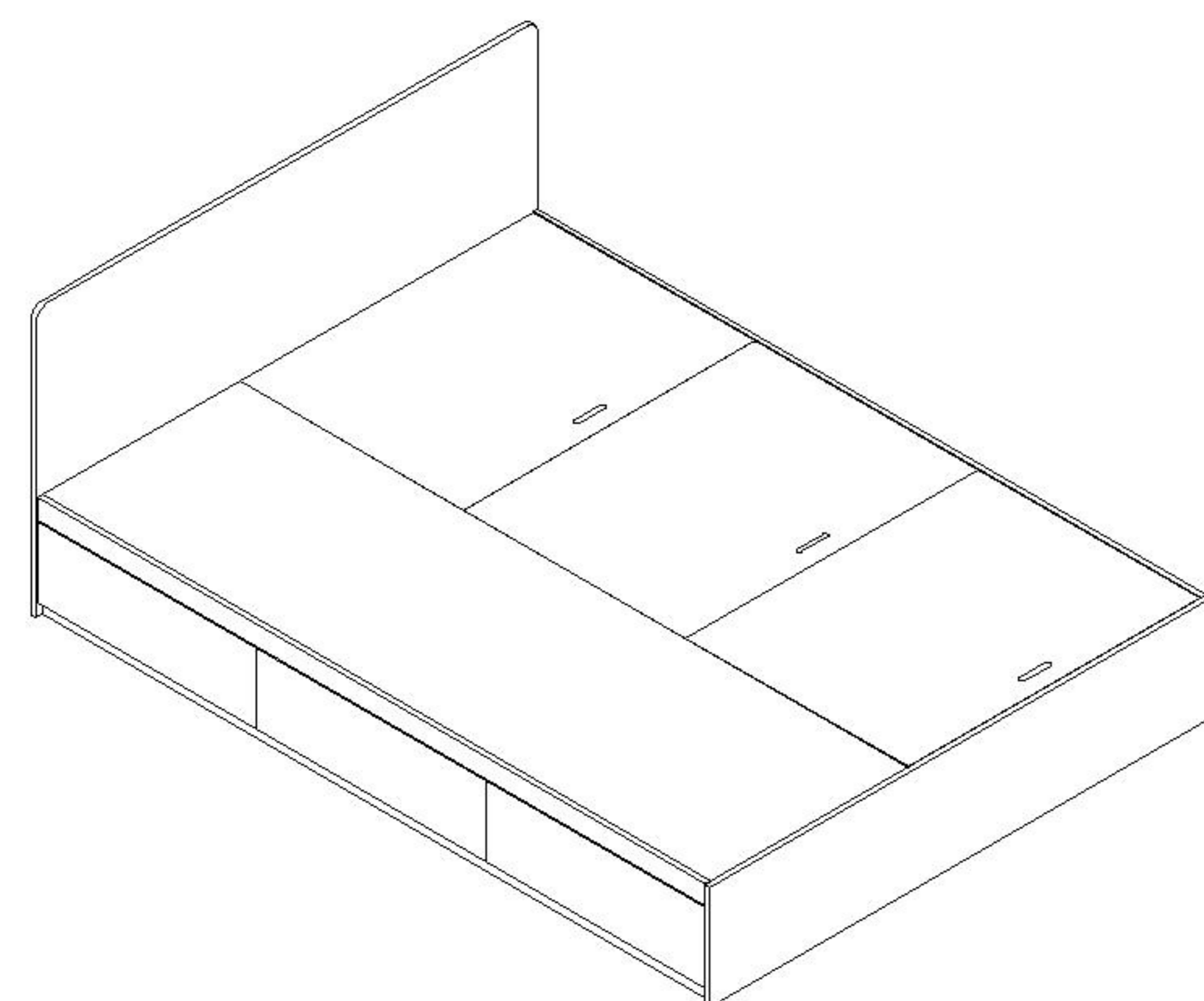
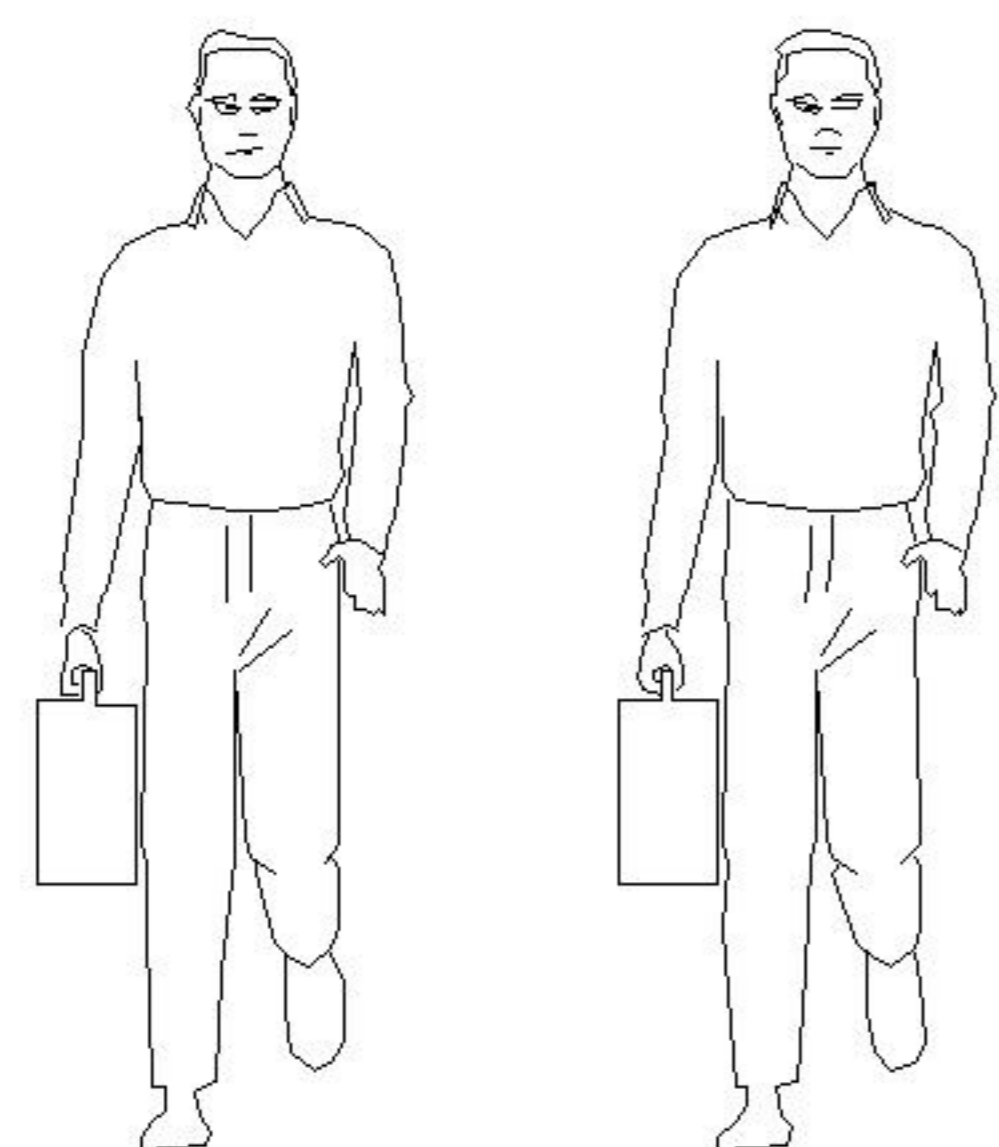
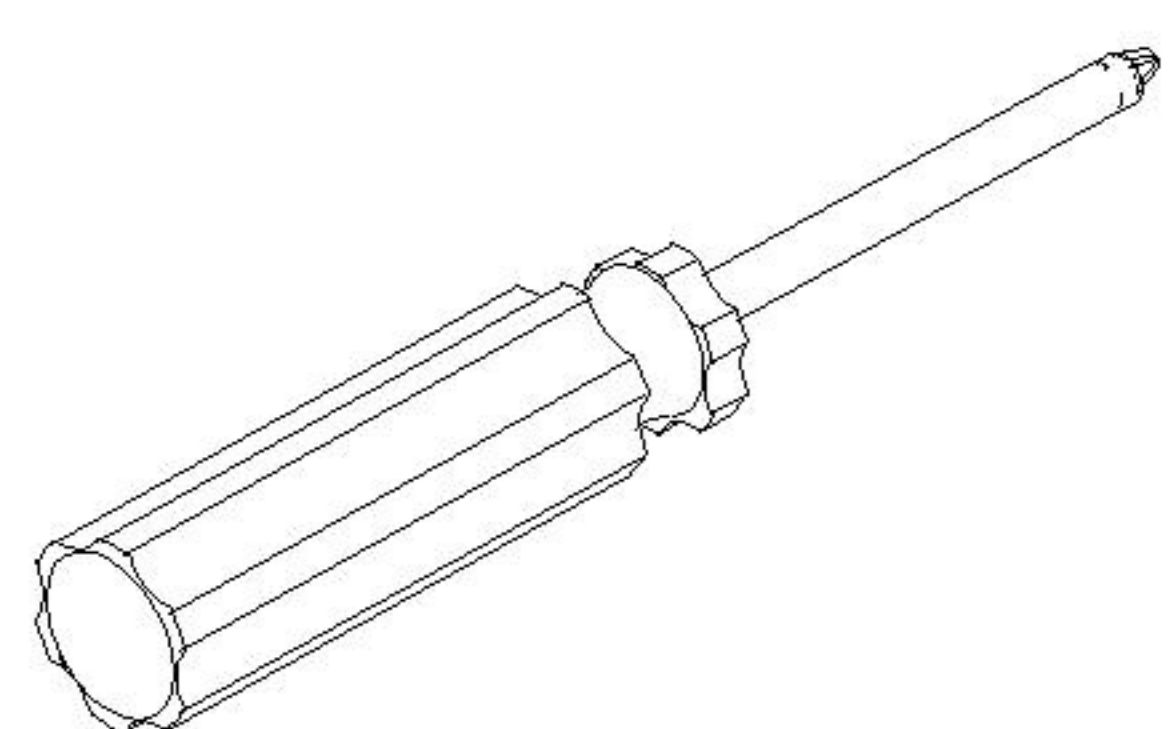
## 部件表/Parts List

### 安装示意图/Assembly Instruction

产品名称 Model NO. OV8A-C 1.5m 床身

产品规格 Specification 2000\*1500\*313 mm

安装工具 Tool 安装人数 Installer



温馨提示：床身可左右互换安装，上图为效果展示  
Tips: The bed can be interchangeable installation, the above is the effect display

(A)* 28 脚垫-灰色 Footrest - Grey	(B)* 3 拉手 Handle	(C)* 21 木榫Ø8x30mm wood tenon	(D)* 46 二合一螺杆 2-in-1-screw
(E)* 46 大三合一锁饼 Three-in-one large lock	(F)* 42 自攻螺丝M3.5x12mm Self-tapping screw	(G)* 19 塑料螺母 Plastic Nut	(H)* 19 自攻螺丝M4x40mm Self-tapping screw
(I)* 19 小二合一杆 small two in one rod	(J)* 19 小三合一锁饼 small three in one lock	(K)* 2 L型角码14x21x1.5 L shaped corner code	(L)* 46 自攻螺丝M4x25mm Self tapping screw
(M)* 6 拉手螺丝-M4x14mm pulling screw	(N)* 6 塑胶条1-627mm Bed bottom plate plastic strip	(O)* 6 塑胶条2-872mm Bed bottom plate plastic strip	(P)* 3 三节滚珠导轨-14" three-section ball rail

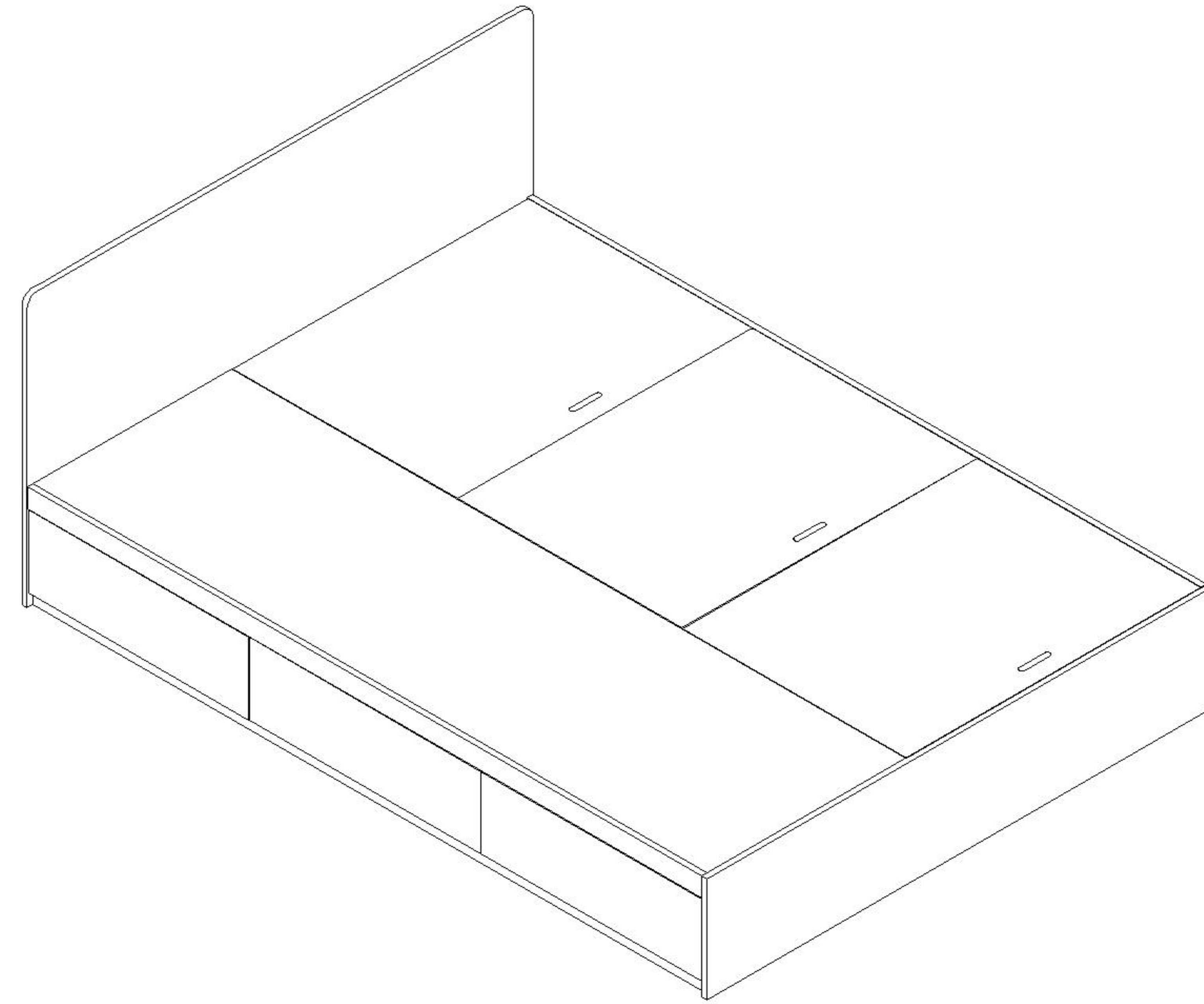
注：该床身可搭配多款床头，请根据购买的产品型号进行安装  
Note: The bed can be equipped with multiple headboards, please install according to the purchased product model

编号NO.	名称Name	规格 (mm) Specification	数量QTY	材质Material
1	床侧Bedside	2000*310*15	1	人造板 WBP
2	下拉条Bottom brace	2000*58*15	1	人造板 WBP
3	上拉条Top brace	2000*58*15	1	人造板 WBP
4	中侧板Middle side board	2000*294*15	1	人造板 WBP
5	内侧板 Medial plate	576*294*15	2	人造板 WBP
6	隔板Clapboard	876*294*15	2	人造板 WBP
7	床板Bed board	2000*591*15	1	人造板 WBP
8	托条Supporting strip	560*58*15	2	人造板 WBP
9	小床板Small bed board	874*665*15	3	人造板 WBP
10	边抽屉面板 Side drawer panel	653*212*15	2	人造板 WBP
11	中抽屉面板Drawer's middle board	686*212*15	1	人造板 WBP
12	抽屉左侧板Drawer's side board (L)	395*142*12	3	人造板 WBP
13	抽屉右侧板Drawer's side board (R)	395*142*12	3	人造板 WBP
14	抽屉后板Drawer's Back board	607*142*12	3	人造板 WBP
15	抽屉底托条Drawer's bottom bracket	381*58*12	3	人造板 WBP
16	抽屉底板Drawer's Bottom board	617*391*5	3	人造板 WBP
17	底板Bottom board	866*647*5	3	人造板 WBP
18	托条1 Supporting strip 1	620*58*15	6	人造板 WBP
19	托条2 Supporting strip 2	840*58*15	4	人造板 WBP
OV9A-C 1.5米高床头 OV9A-C 1.5 m high headboard				
20	床头 Head bed	1500*798*15	1	人造板 WBP
21	床尾Bed tail	1500*310*15	1	人造板 WBP
OV10A-C 1.5米床头软包 OV10A-C 1.5m headboard soft bag				
22	床头软包Upholstered headboard	1500*390*90	1	软包Soft bag
OV8A-C 1.5米矮床头 OV8A-C 1.5m low bed head				
23	床头 Head bed	1500*310*15	2	人造板 WBP

OV8A-C 1.5m 床身

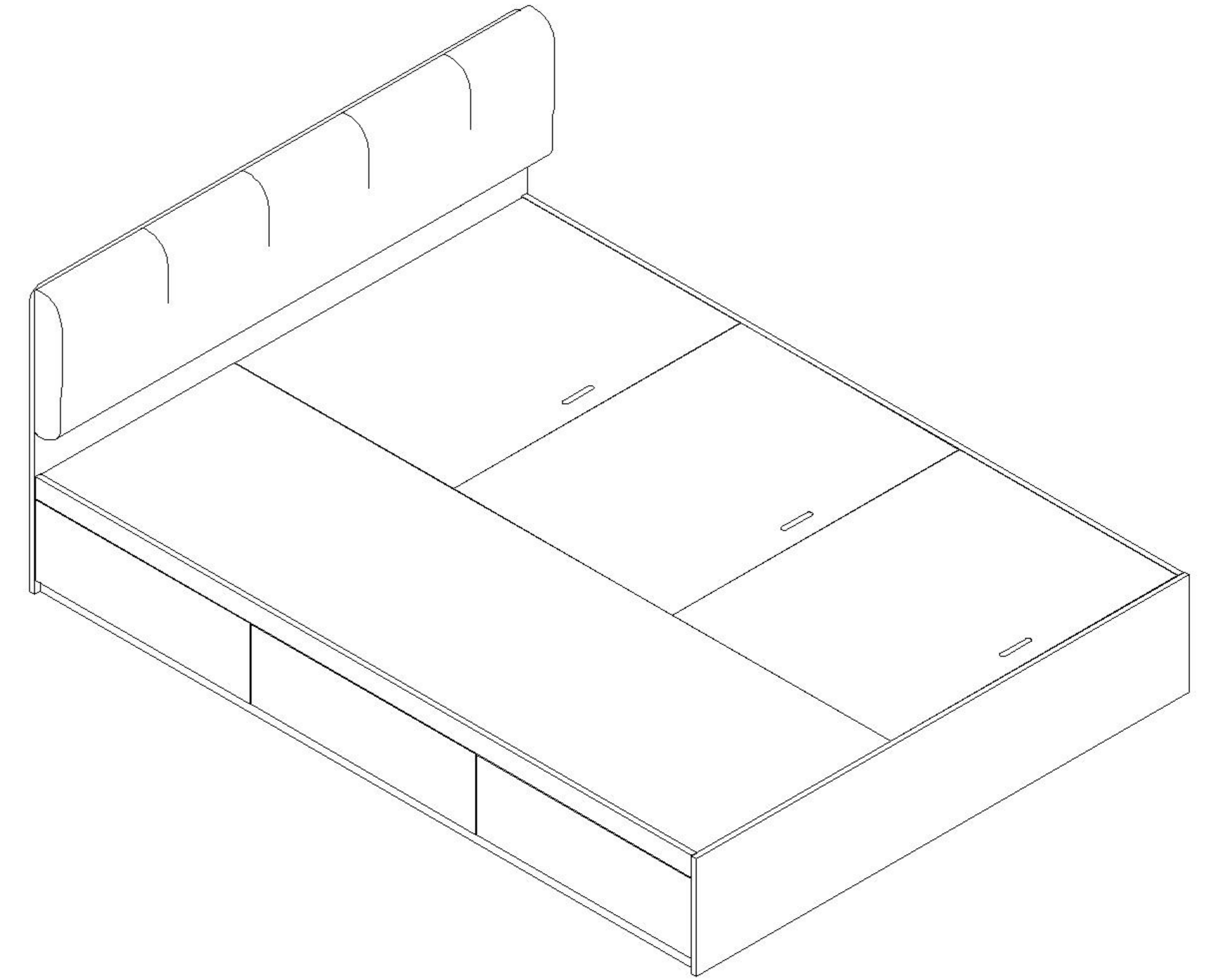
安装方法/  
Installation method

OV9A-C 高床头款1.5米  
OV9A-C has a 1.5m high headboard



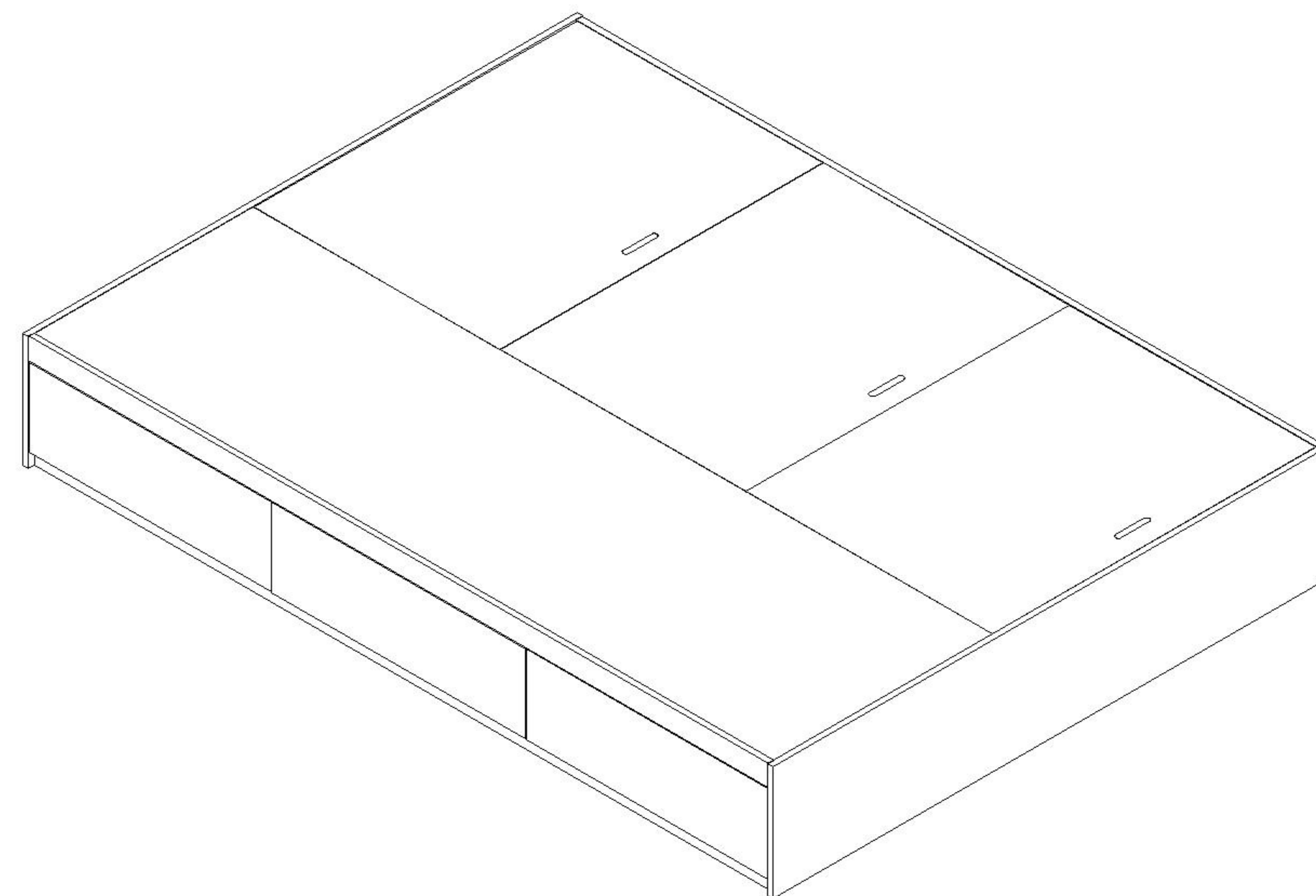
床垫厚度建议: 100mm  
产品规格Specification: 2030\*1500\*801mm

OV10A-C 软包床头款1.5米  
OV10A-C soft bag headboard 1.5m



床垫厚度建议: 100mm  
产品规格Specification: 2030\*1500\*801mm

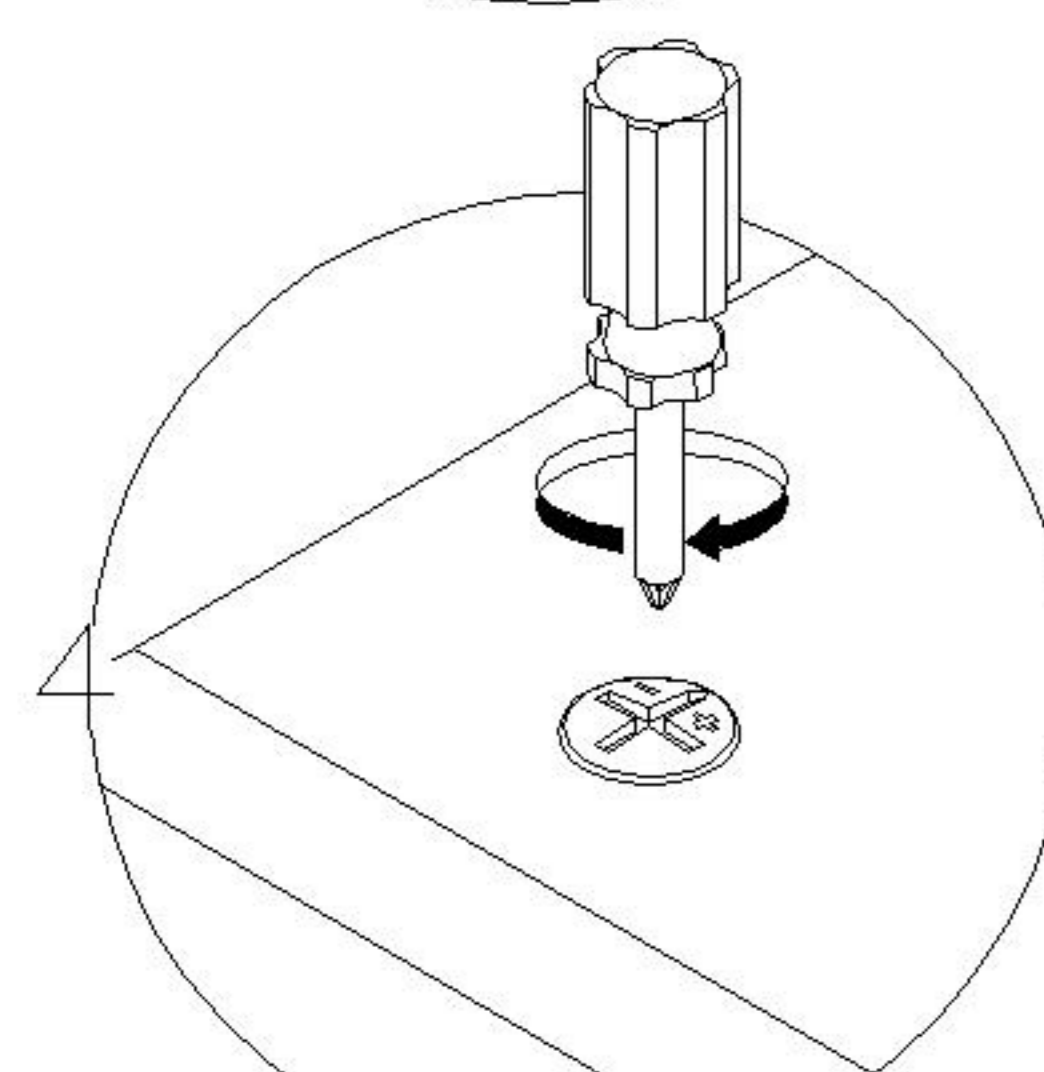
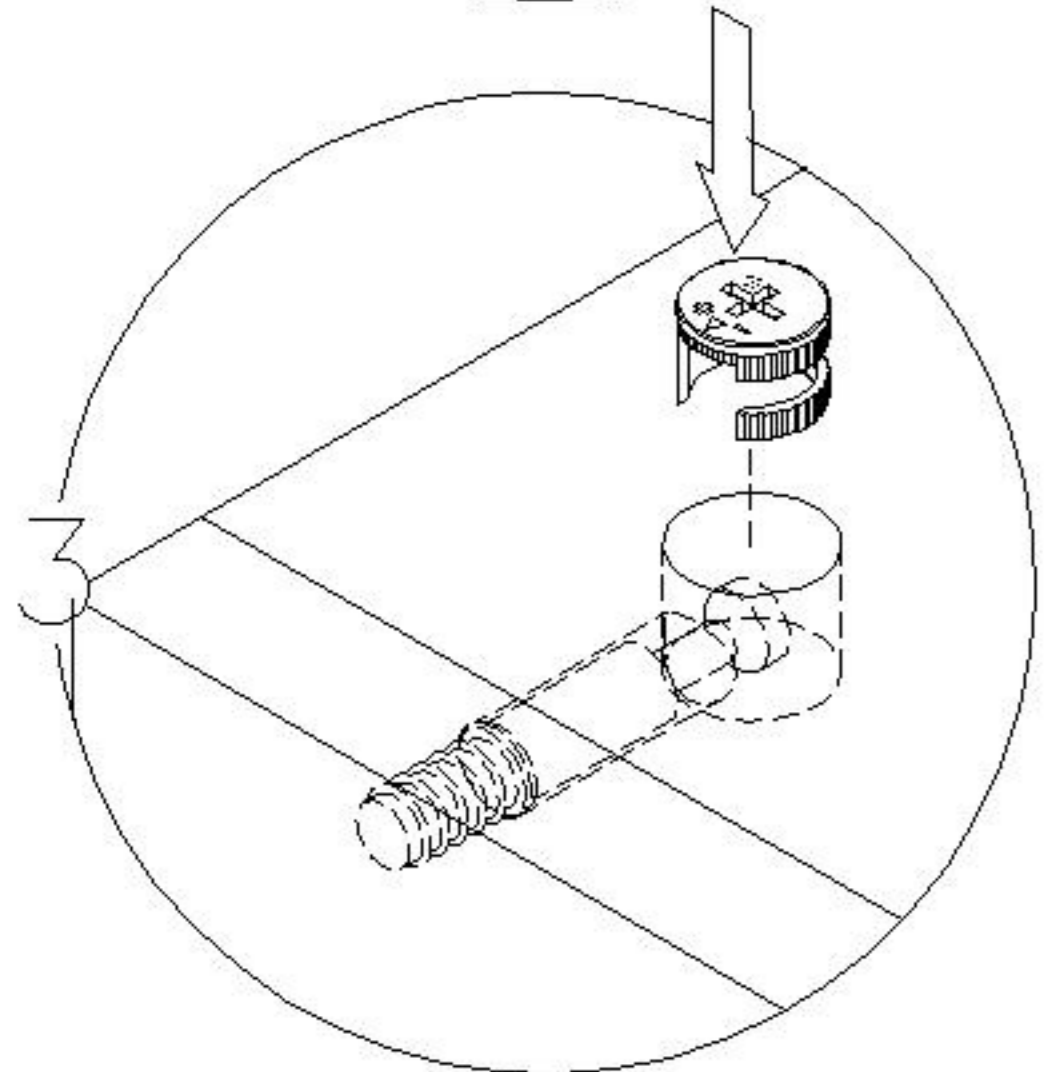
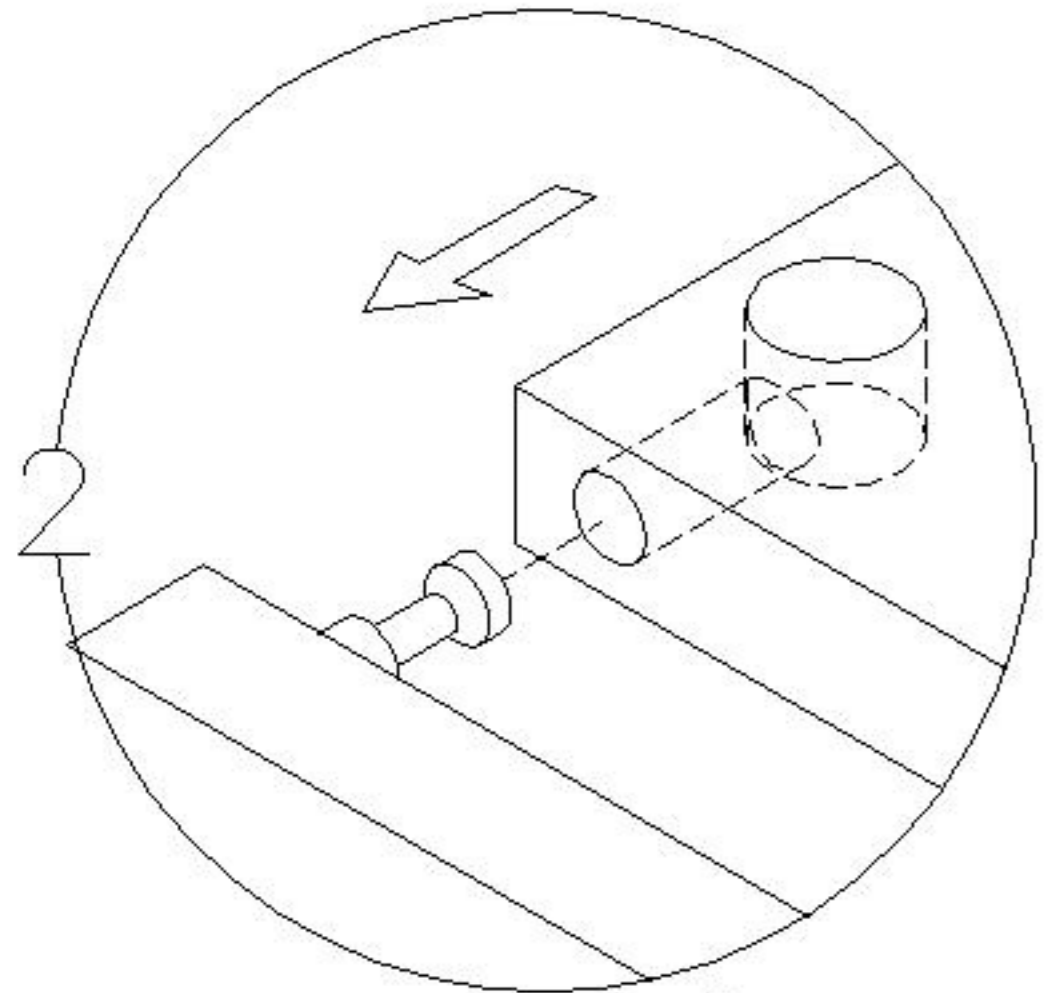
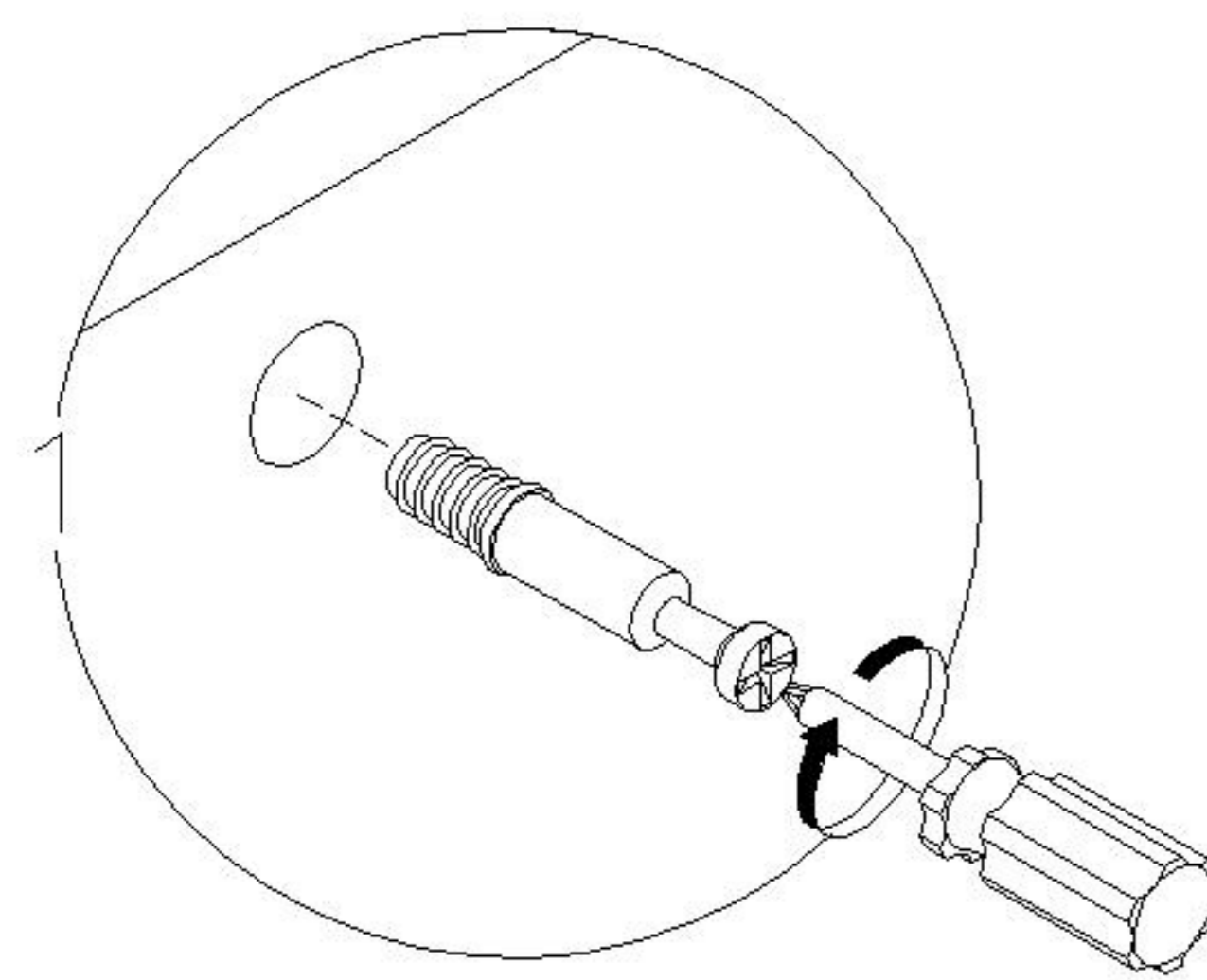
OV8A-C 矮床头款1.5米  
OV8A-C low bed is 1.5m



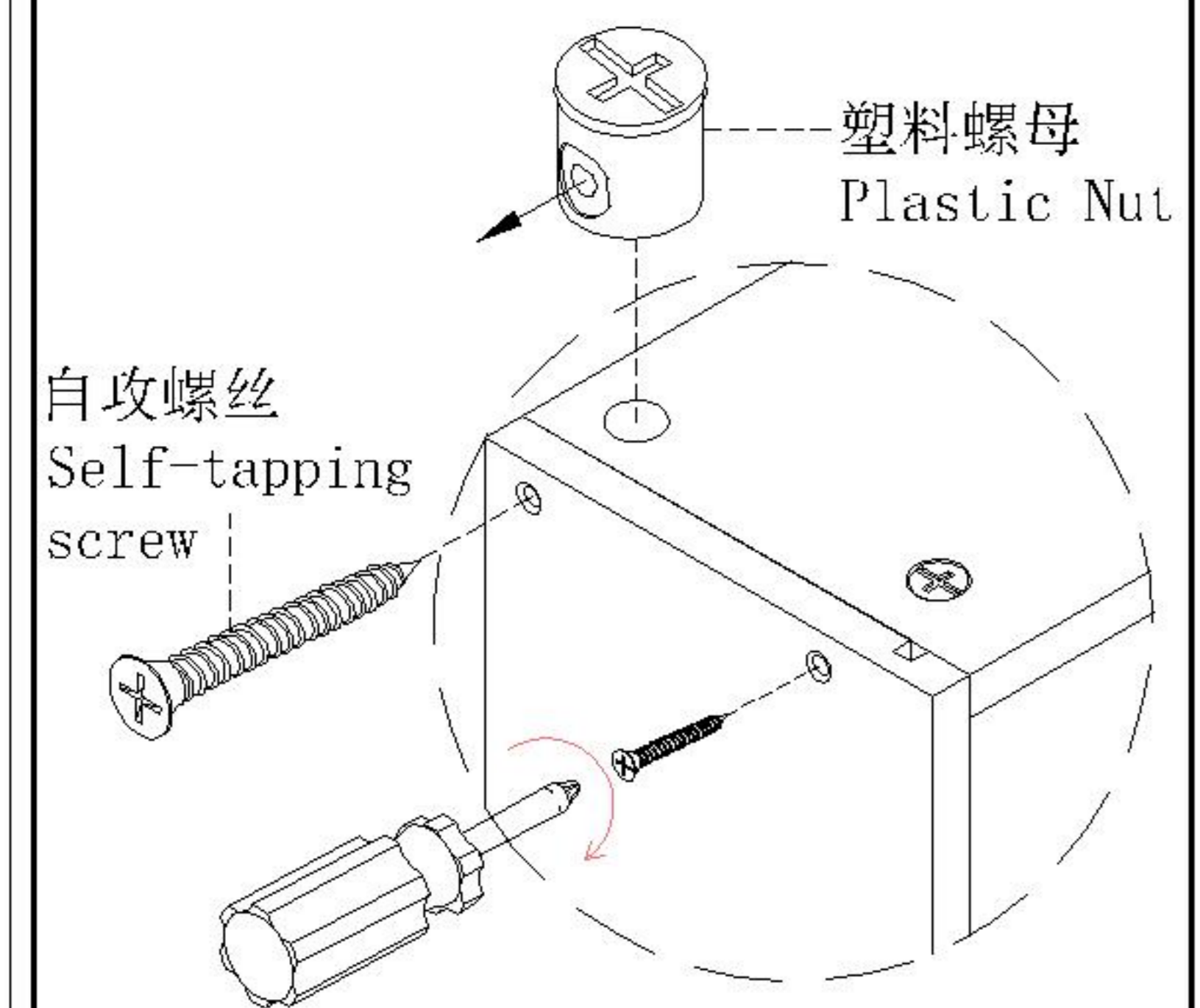
床垫厚度建议: 100mm  
产品规格Specification: 2030\*1500\*313mm

OV8A-C 1.5m 床身

安装方法/  
Installation method

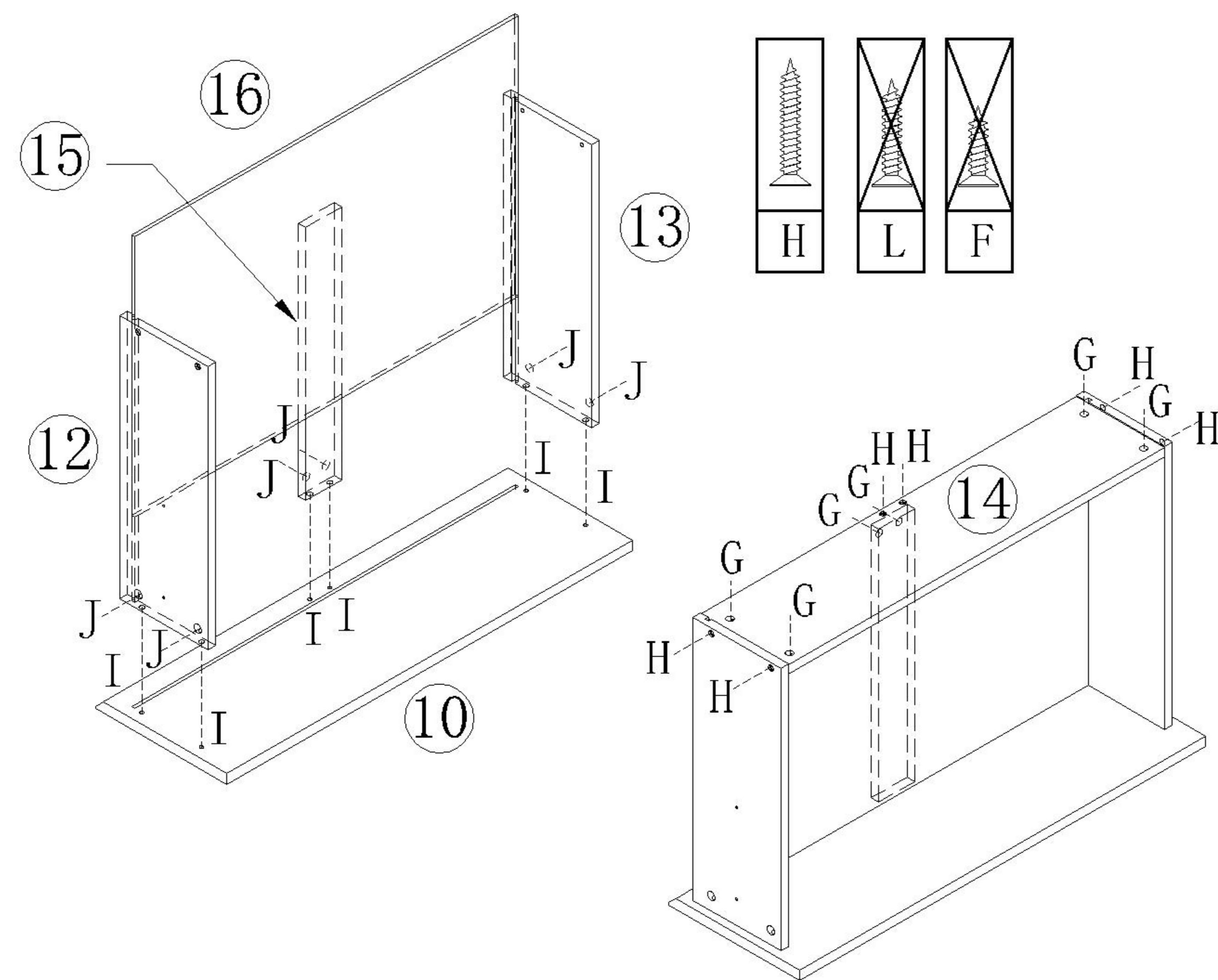


小二合一/two-in-one



塑料螺母  
Plastic Nut

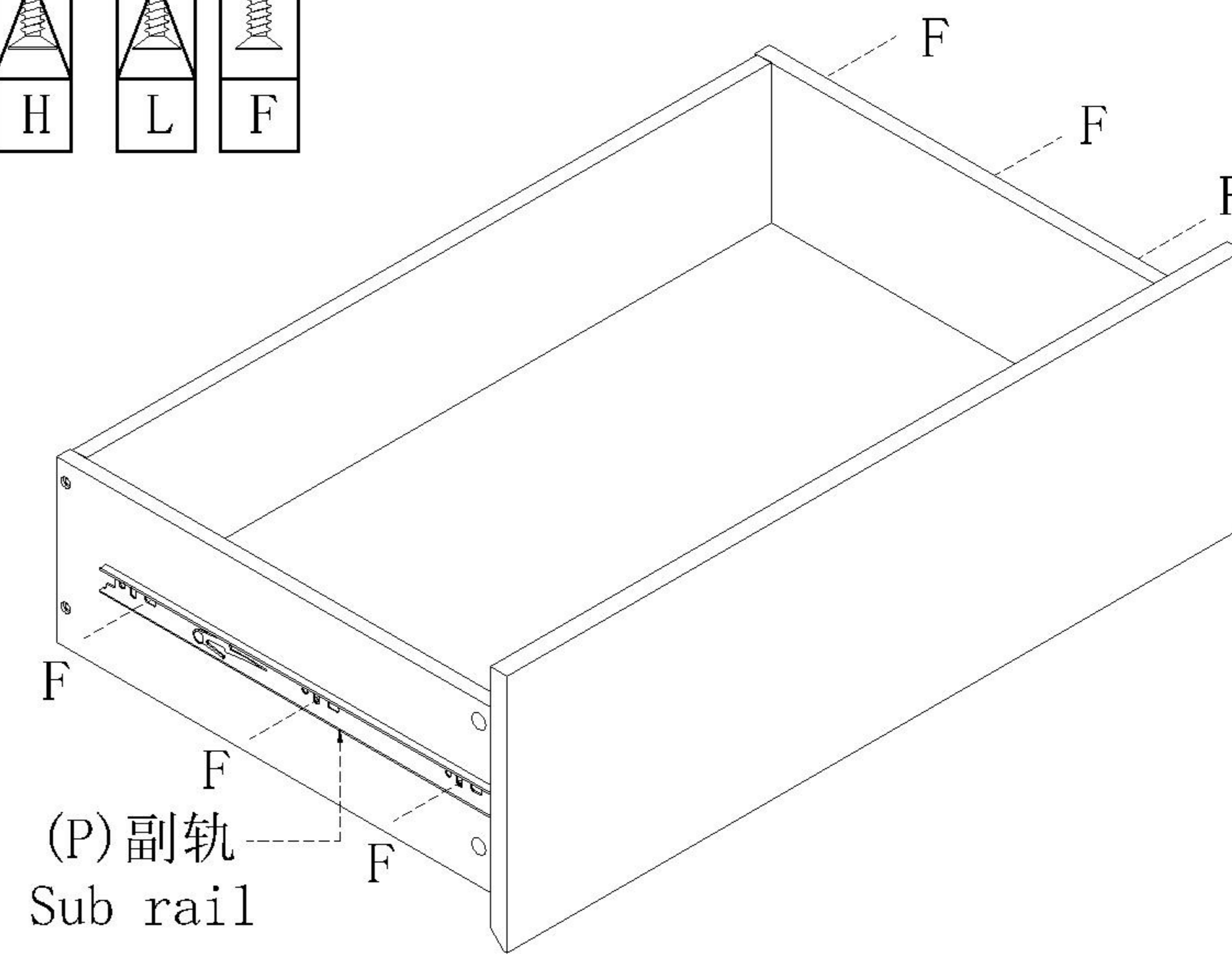
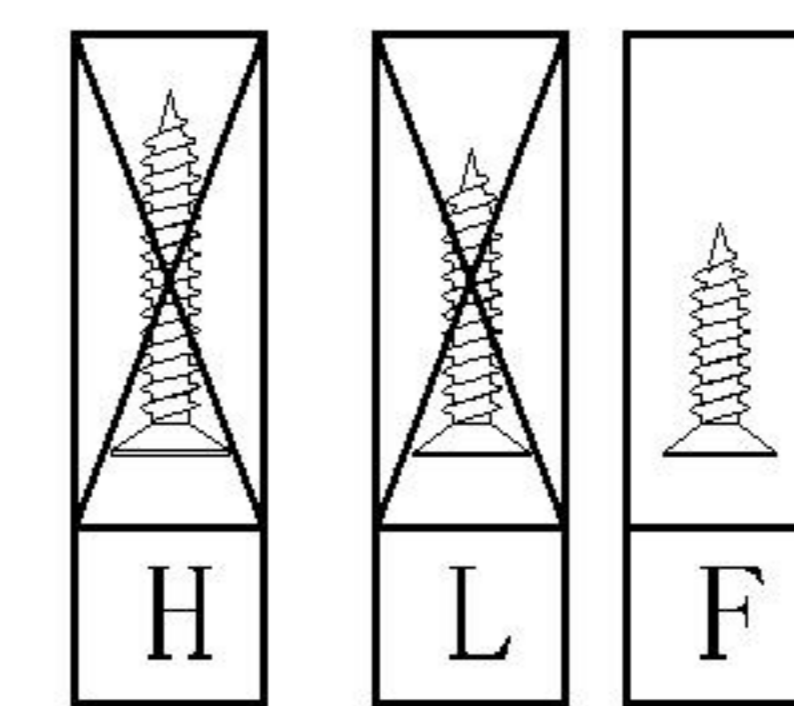
- (G)\*12
- (H)\*12
- (I)\*12
- (J)\*12



X2

1

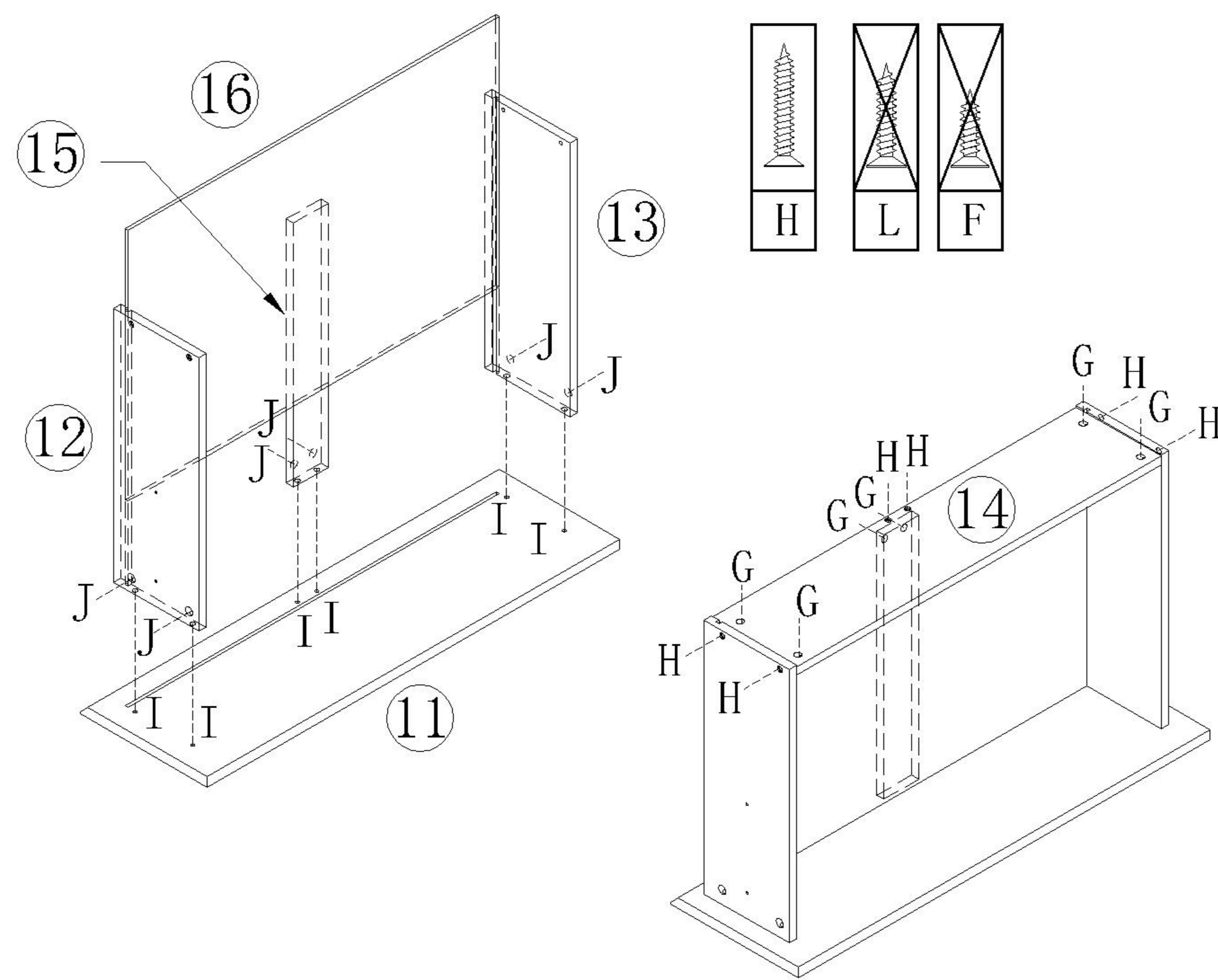
- (F)\*12
- (P)\*2



X2

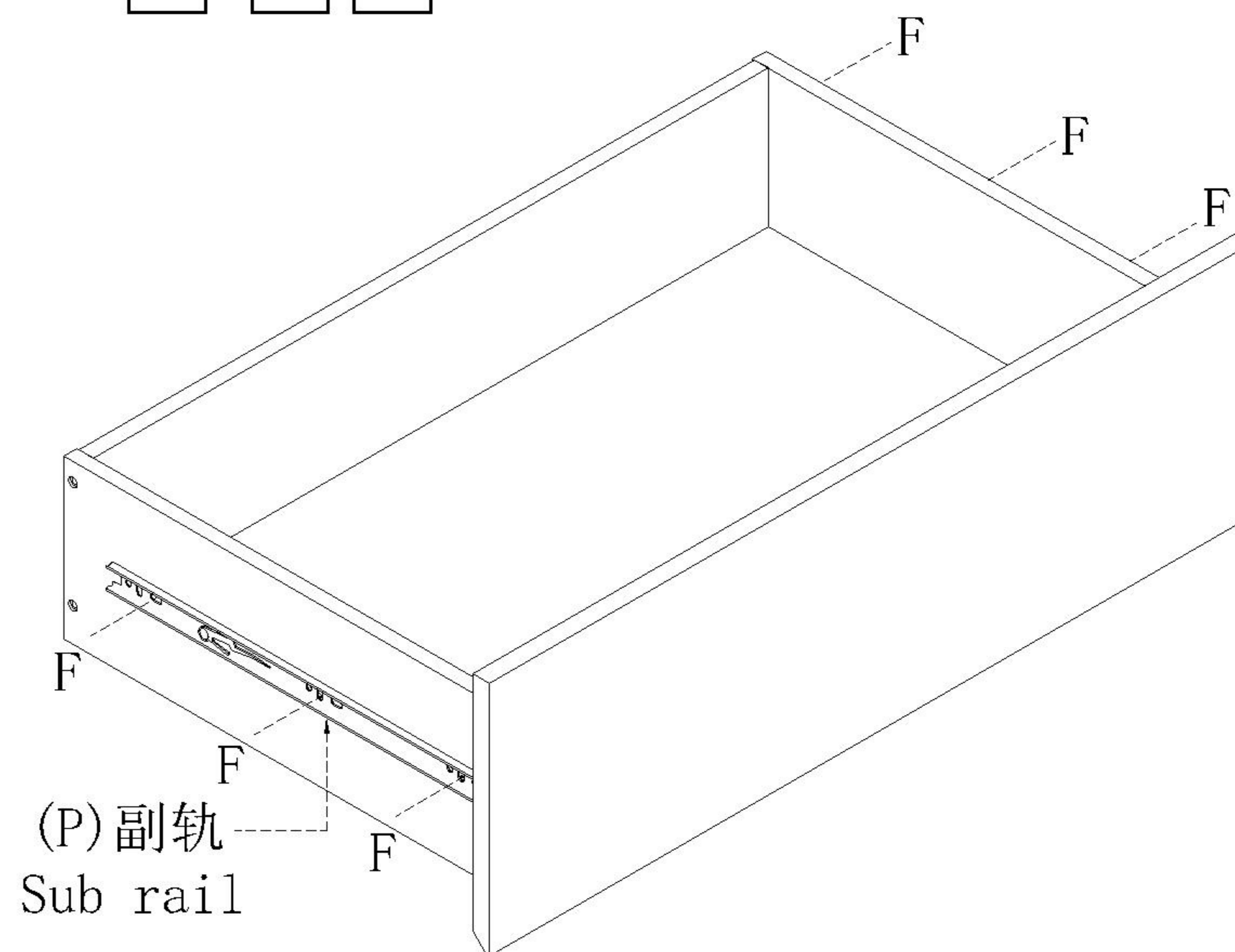
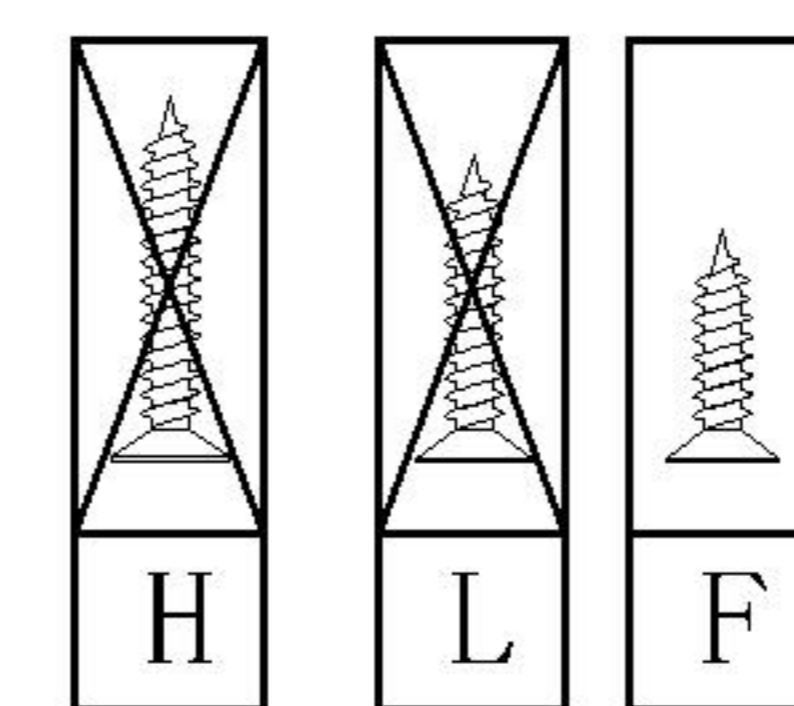
2

- (G)\*6
- (H)\*6
- (I)\*6
- (J)\*6



3

- (F)\*6
- (P)\*1

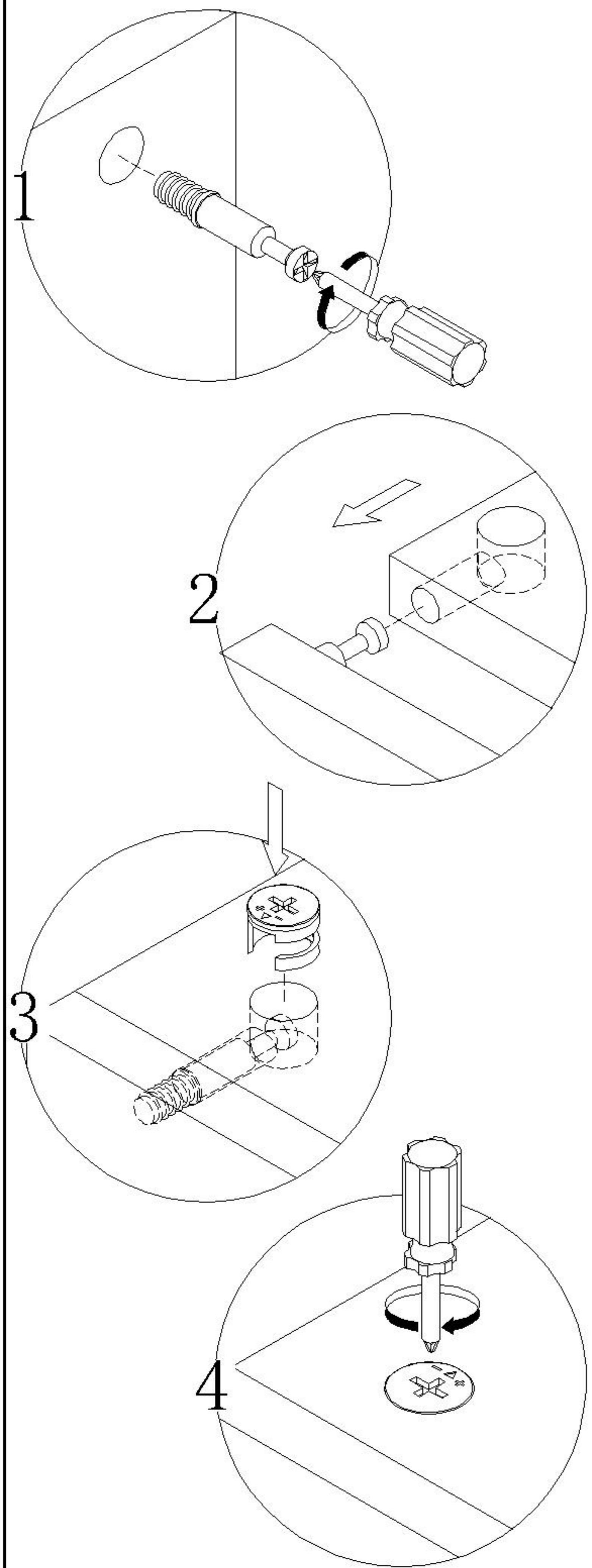


(P) 副轨  
Sub rail

4

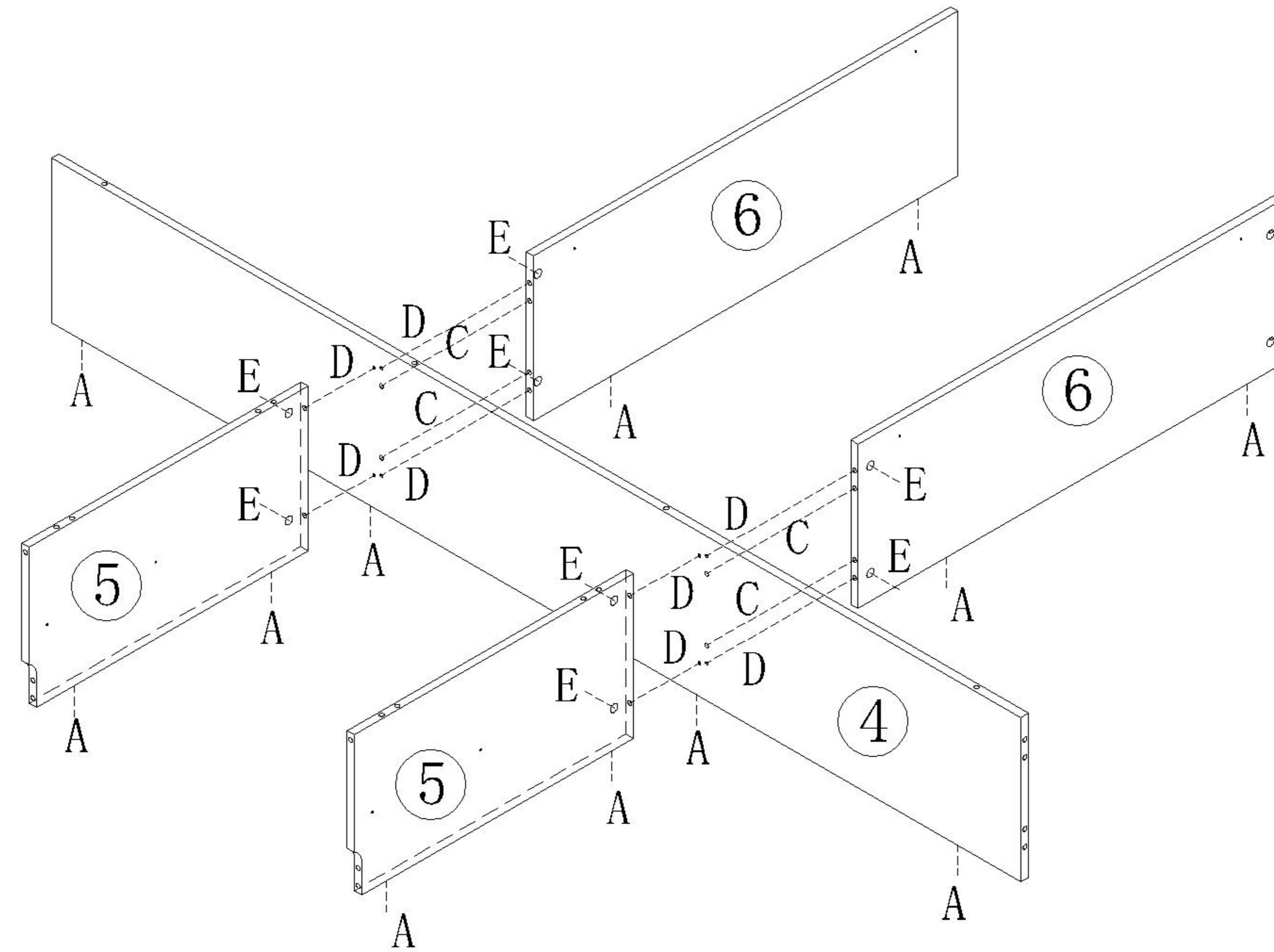
OV8A-C 1.5m 床身

安装方法/  
Installation method



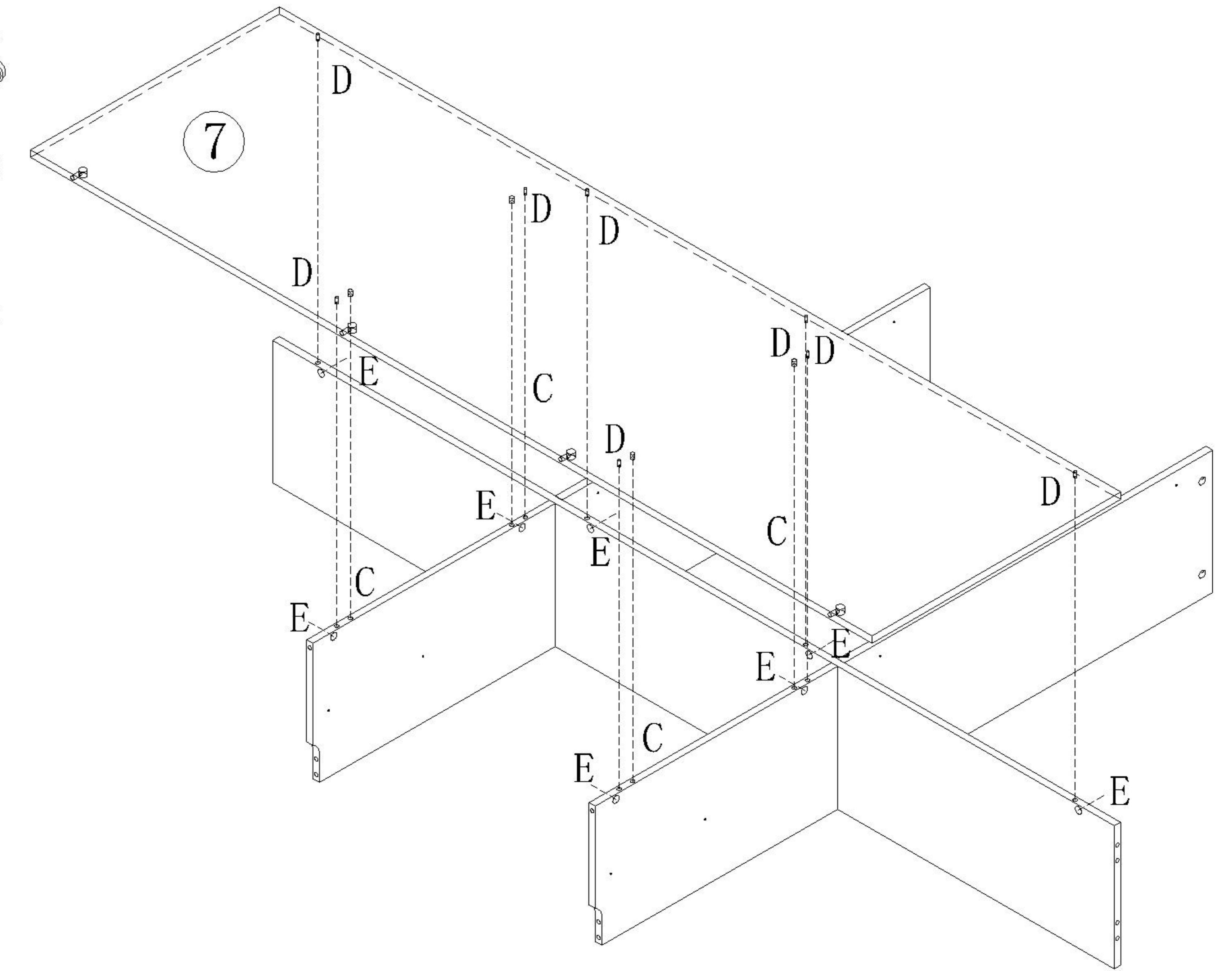
大二合一  
two-in-one

- (A)\*12
- (C)\*4
- (D)\*8
- (E)\*8



5

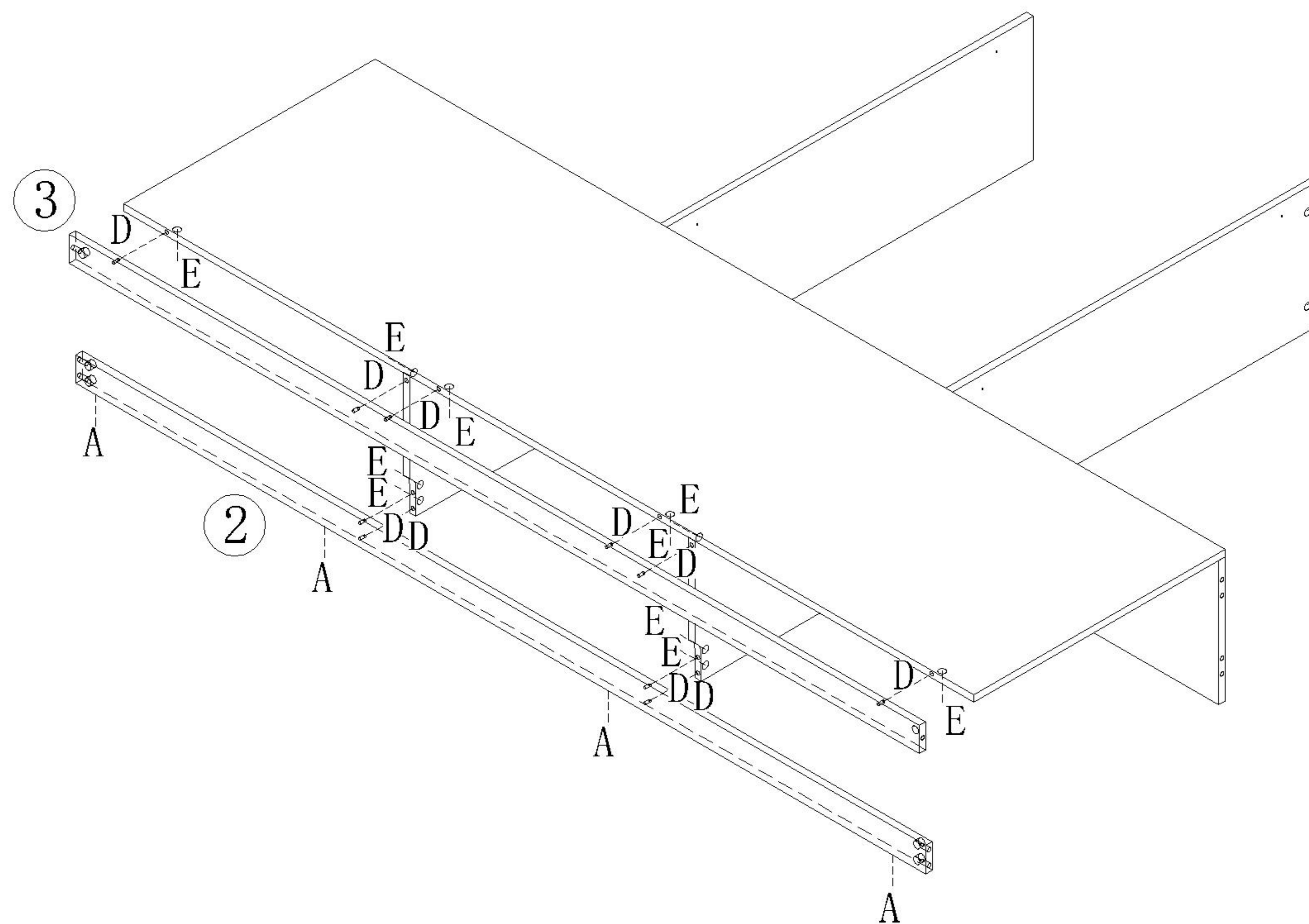
- (C)\*4
- (D)\*8
- (E)\*8



6

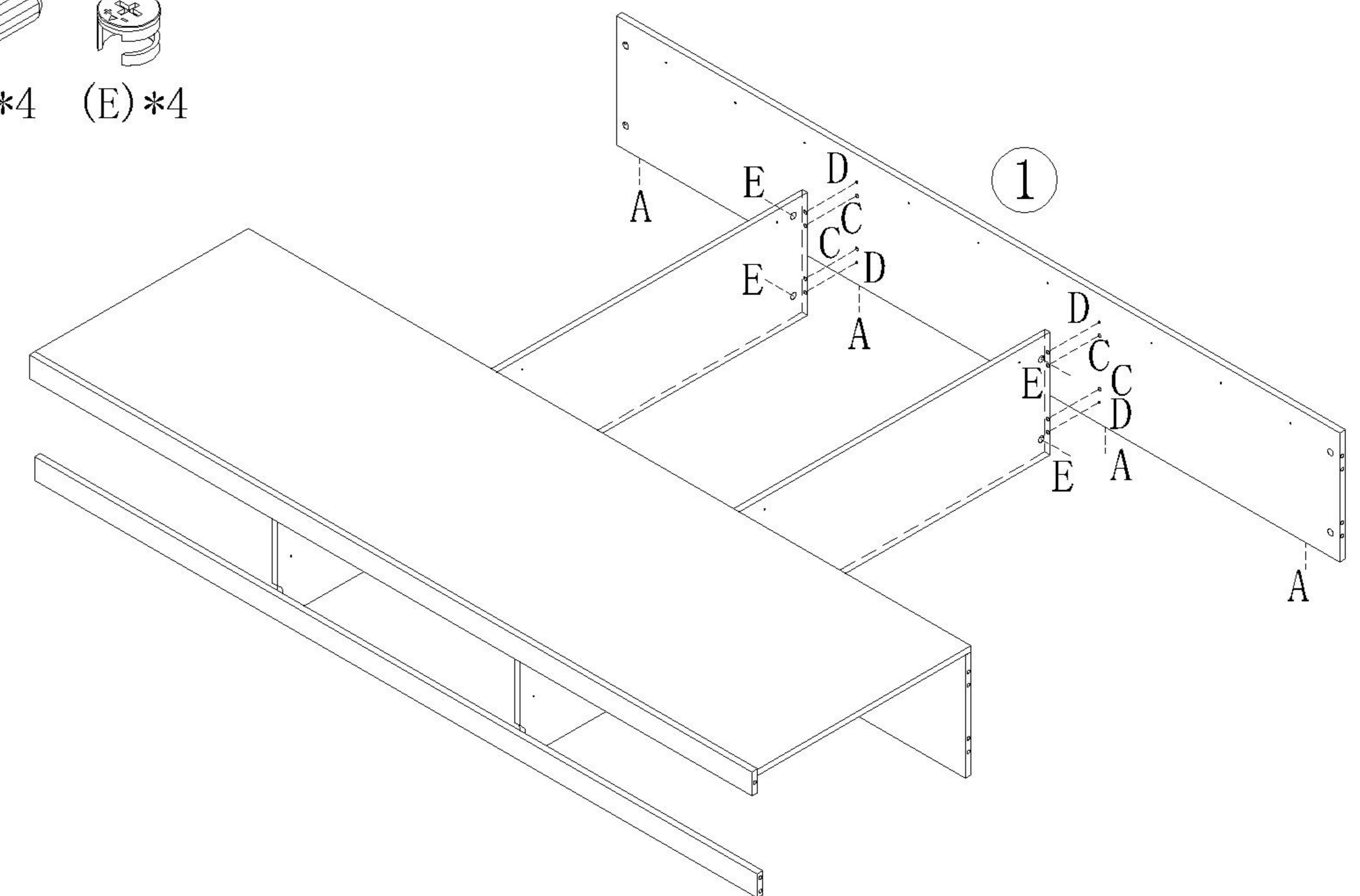
- (A)\*4
- (D)\*10
- (E)\*10

7



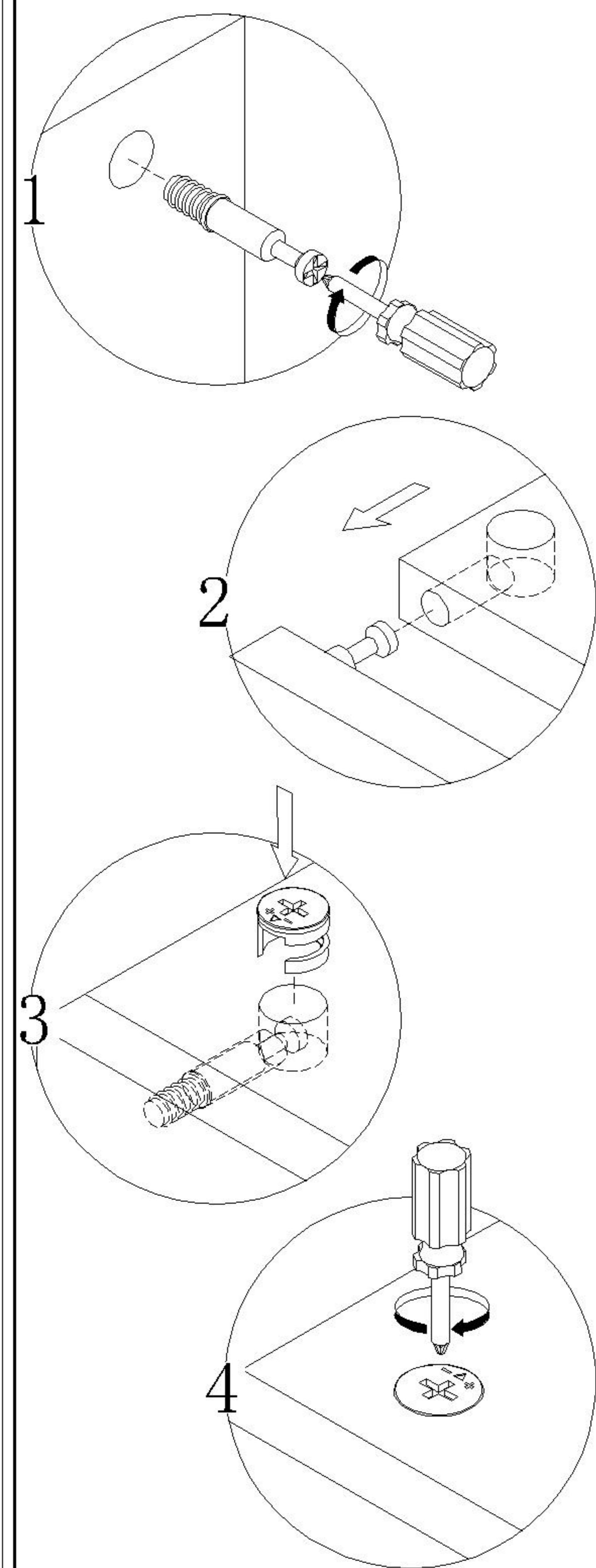
- (A)\*4
- (C)\*4
- (D)\*4
- (E)\*4

8

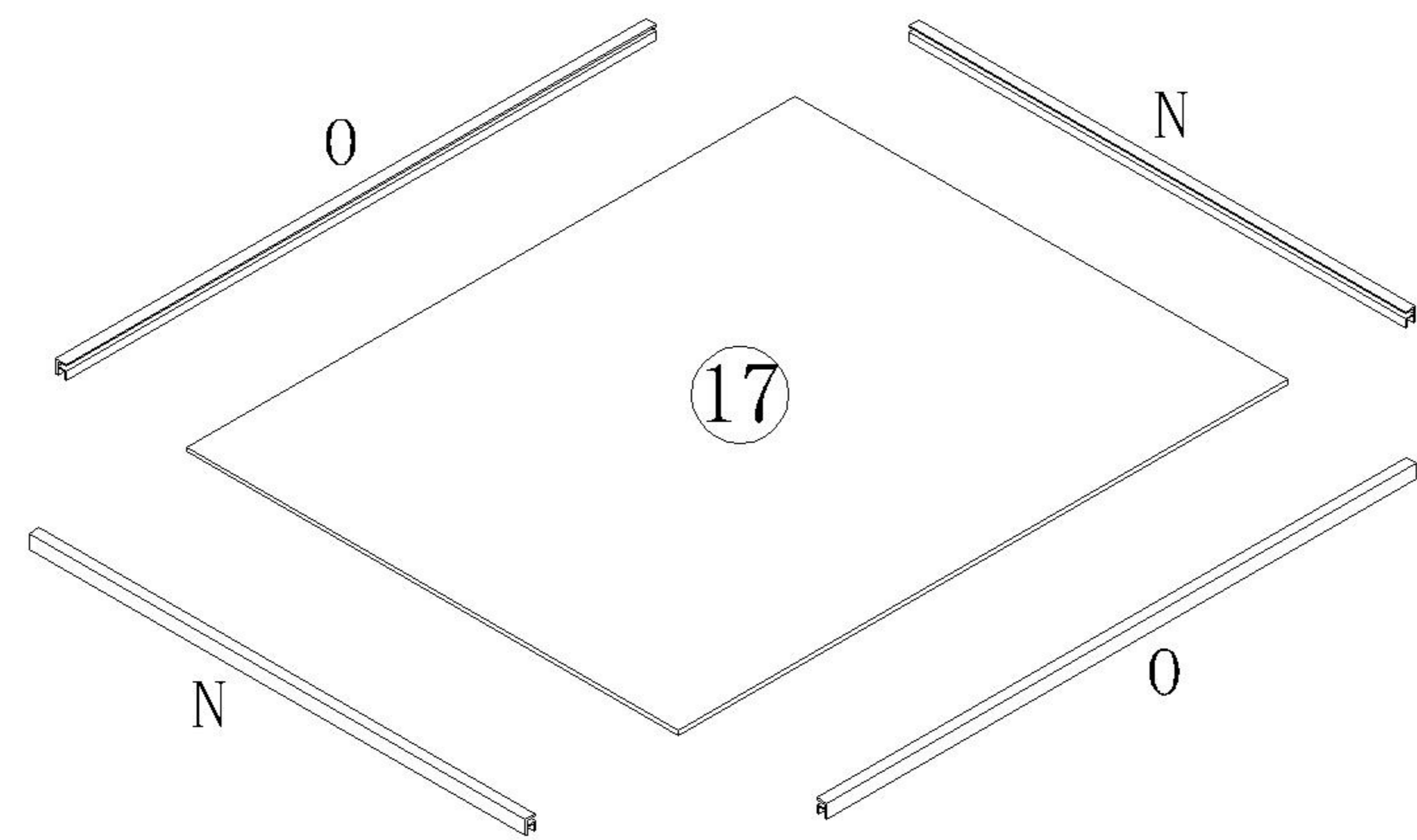
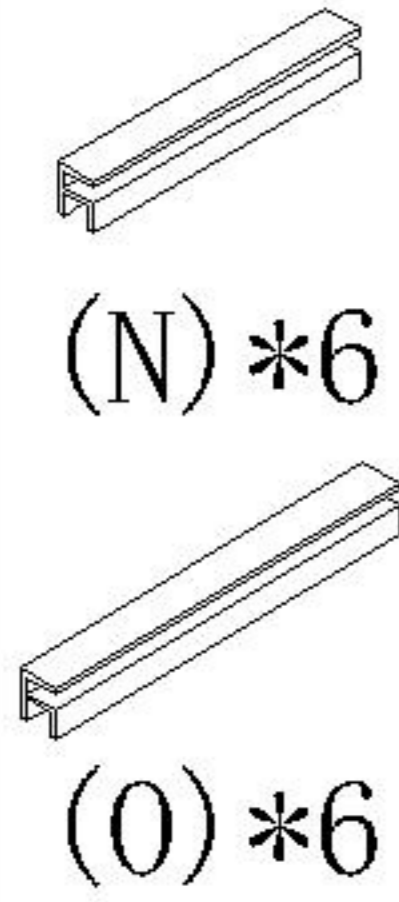


OV8A-C 1.5m 床身

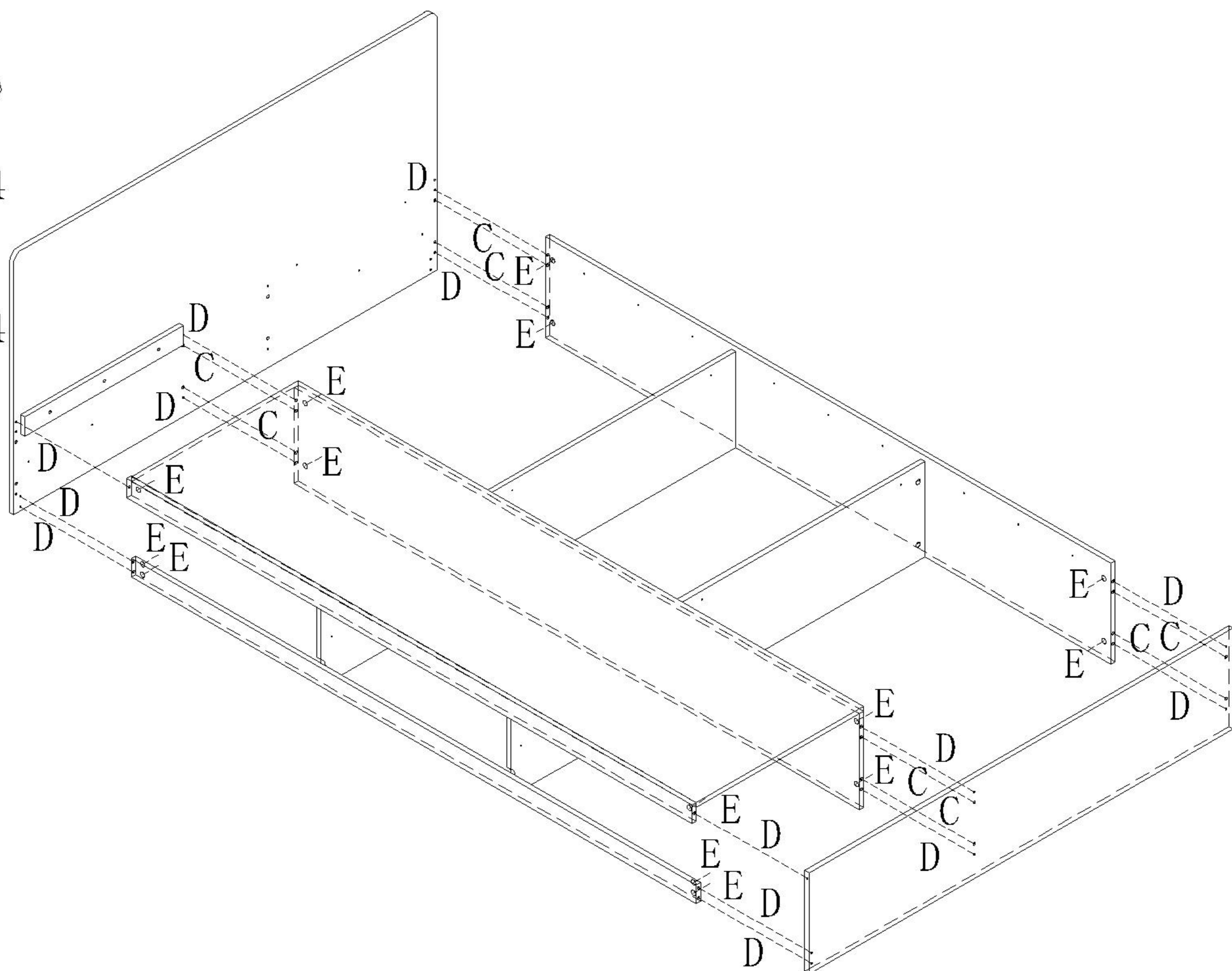
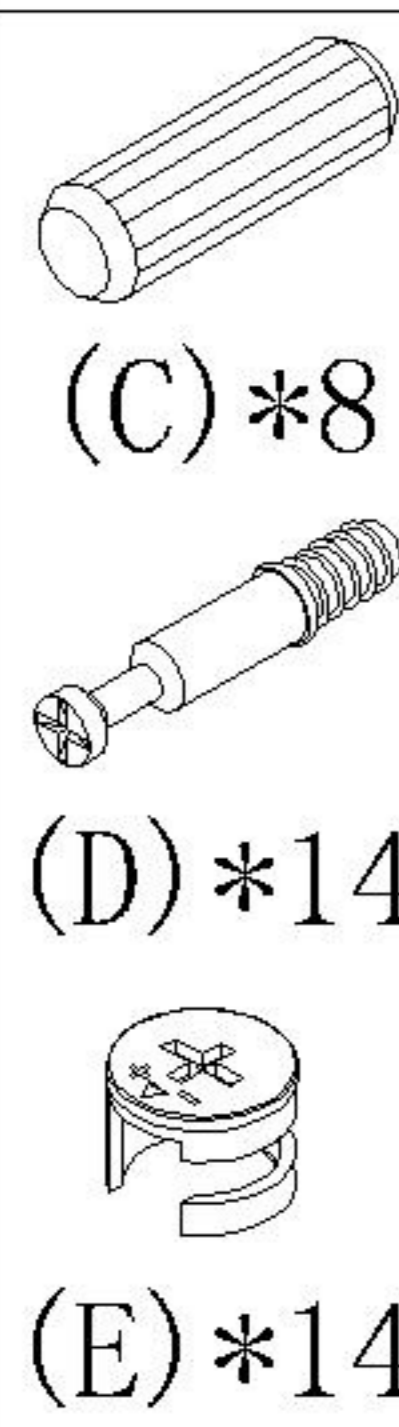
安装方法/  
Installation method



大二合一  
two-in-one

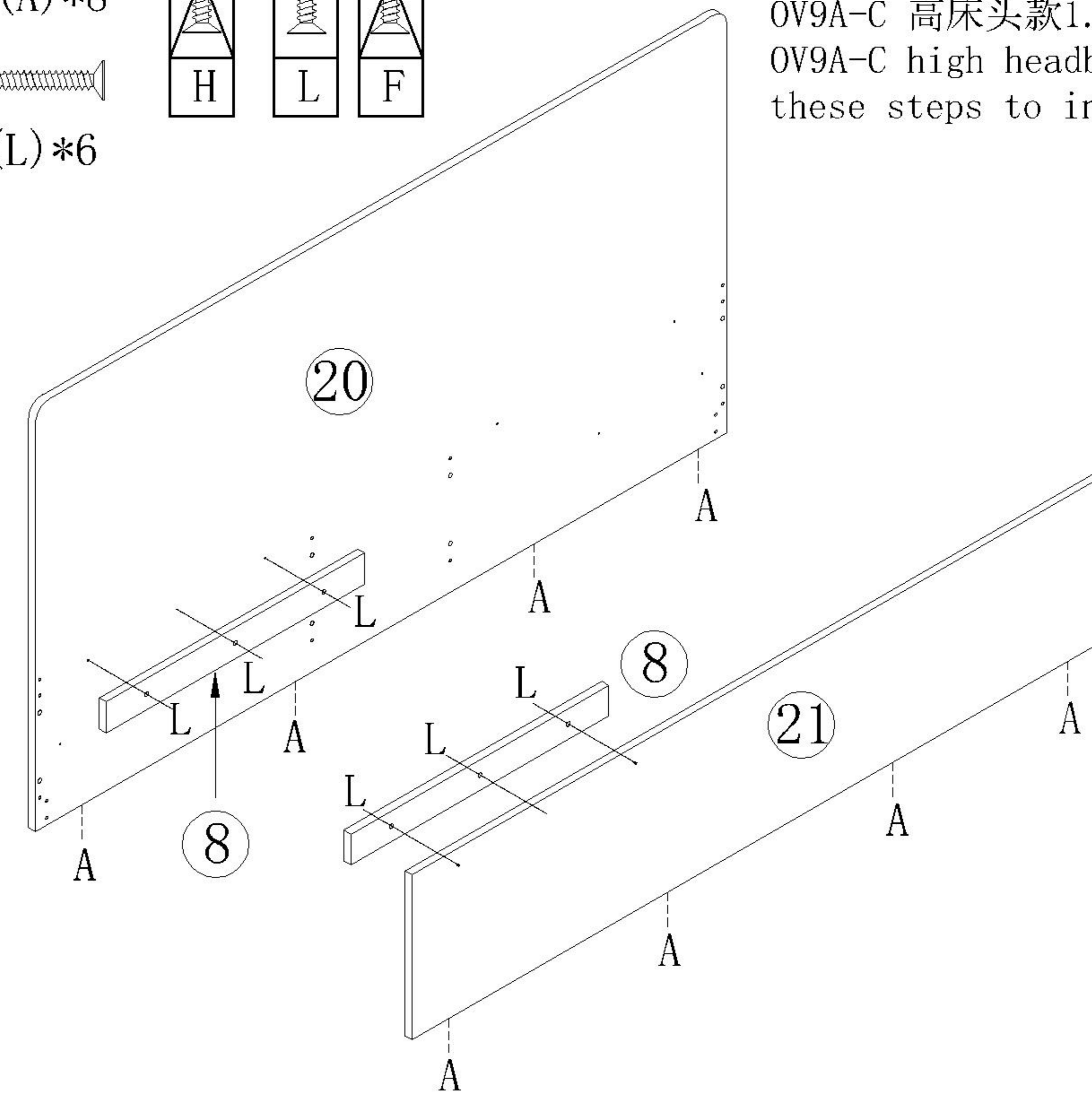
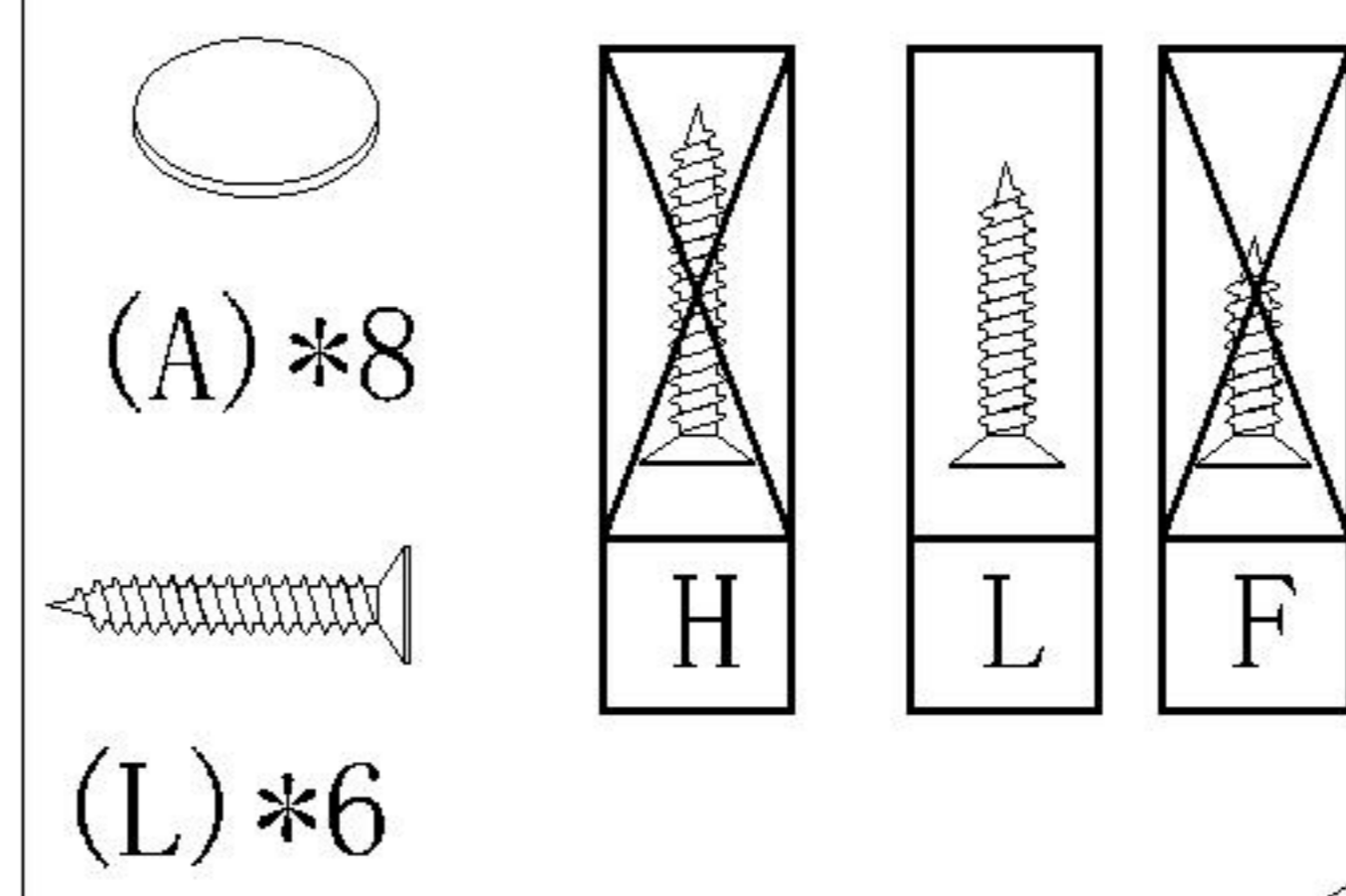


X3



11

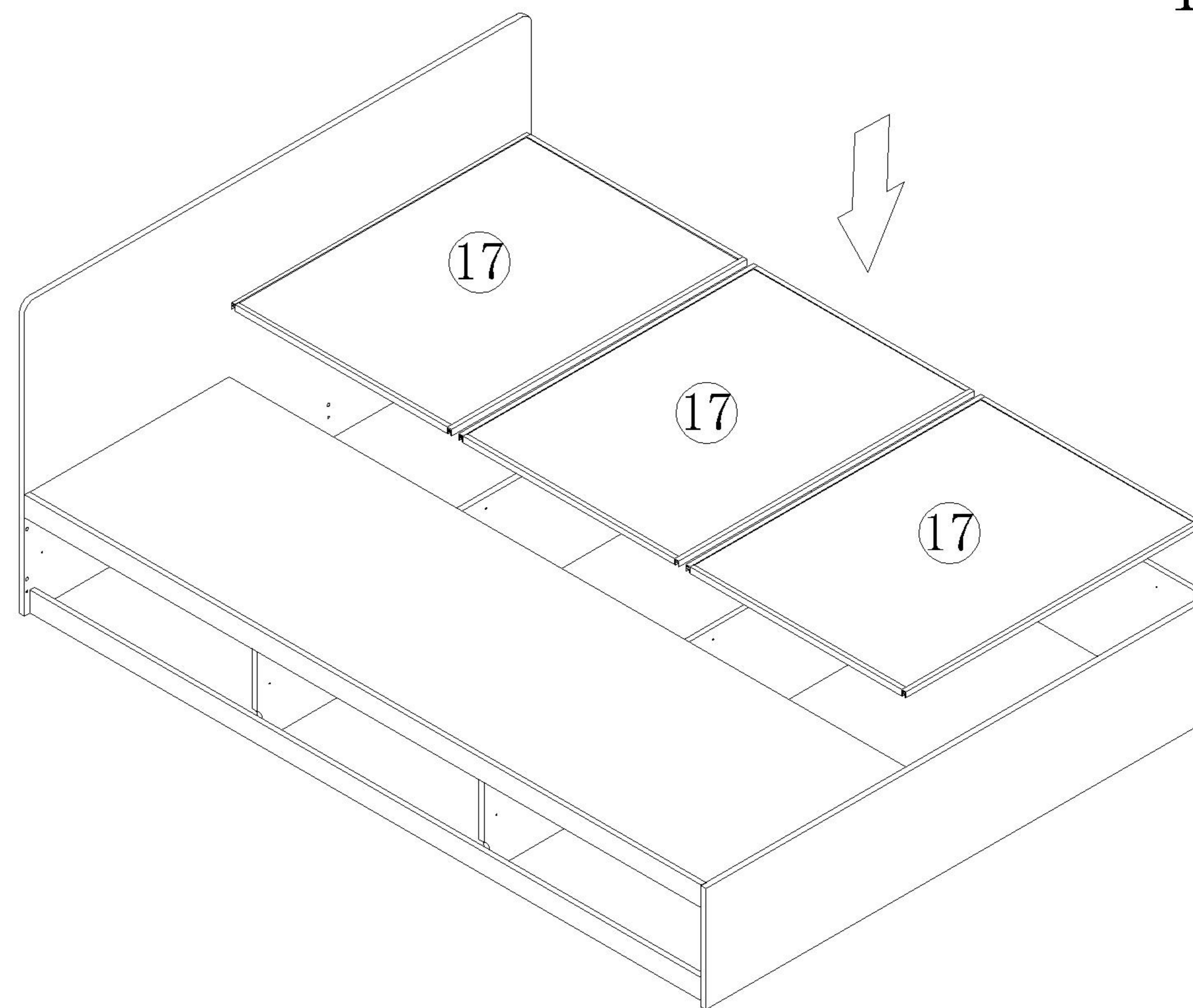
9



OV9A-C 高床头款1.5米 按以下步骤安装  
OV9A-C high headboard 1.5m Follow these steps to install

10

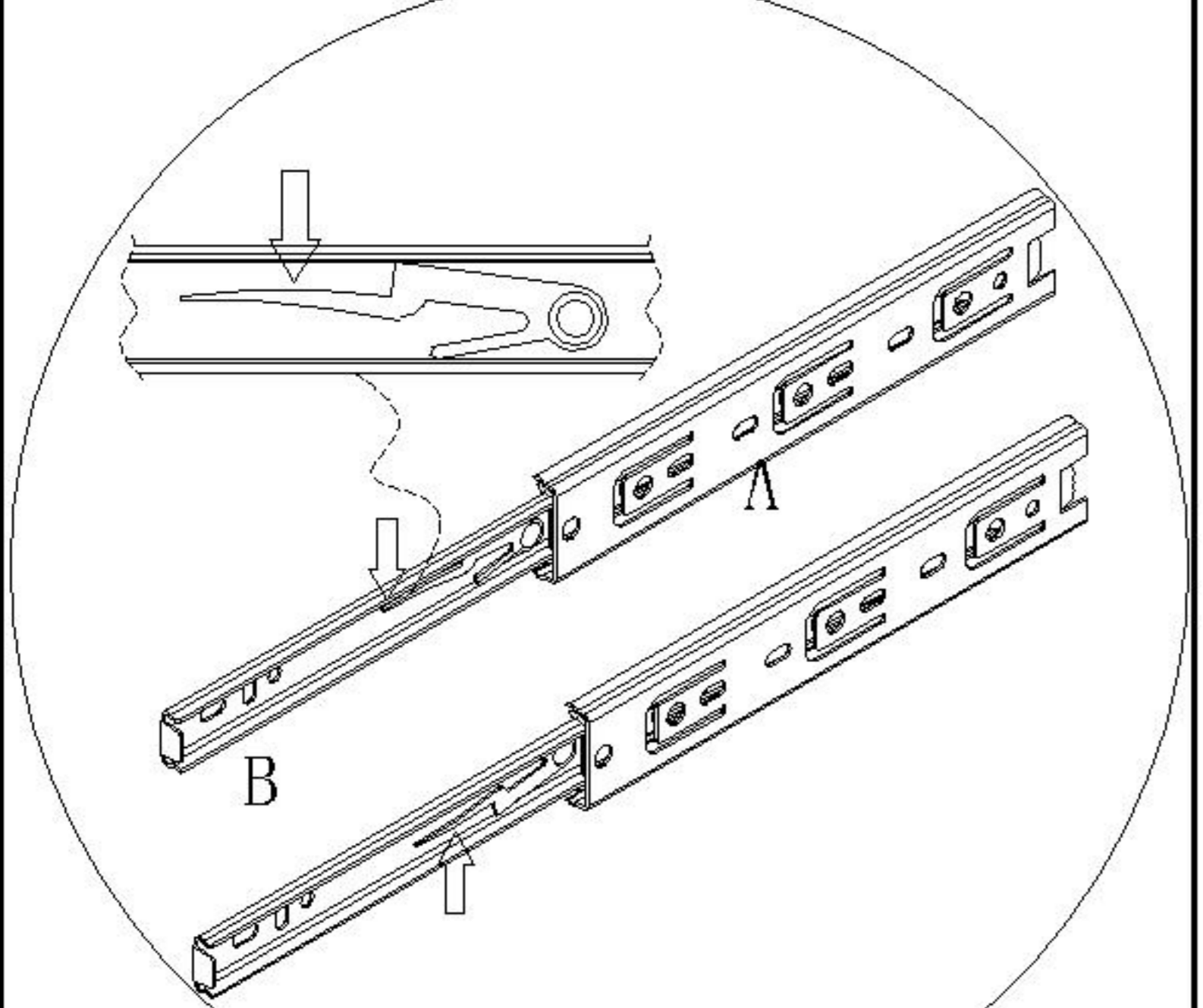
12



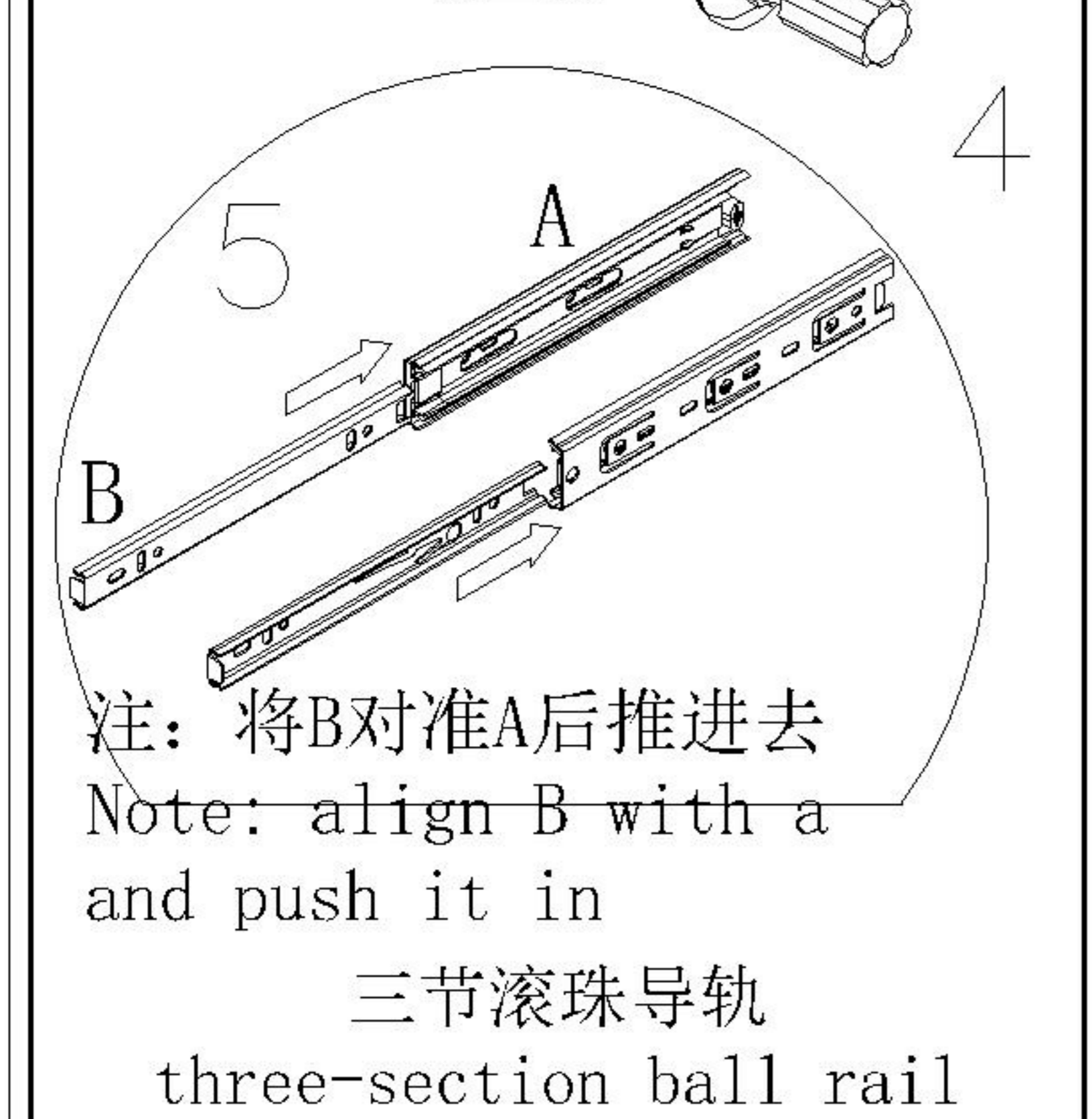
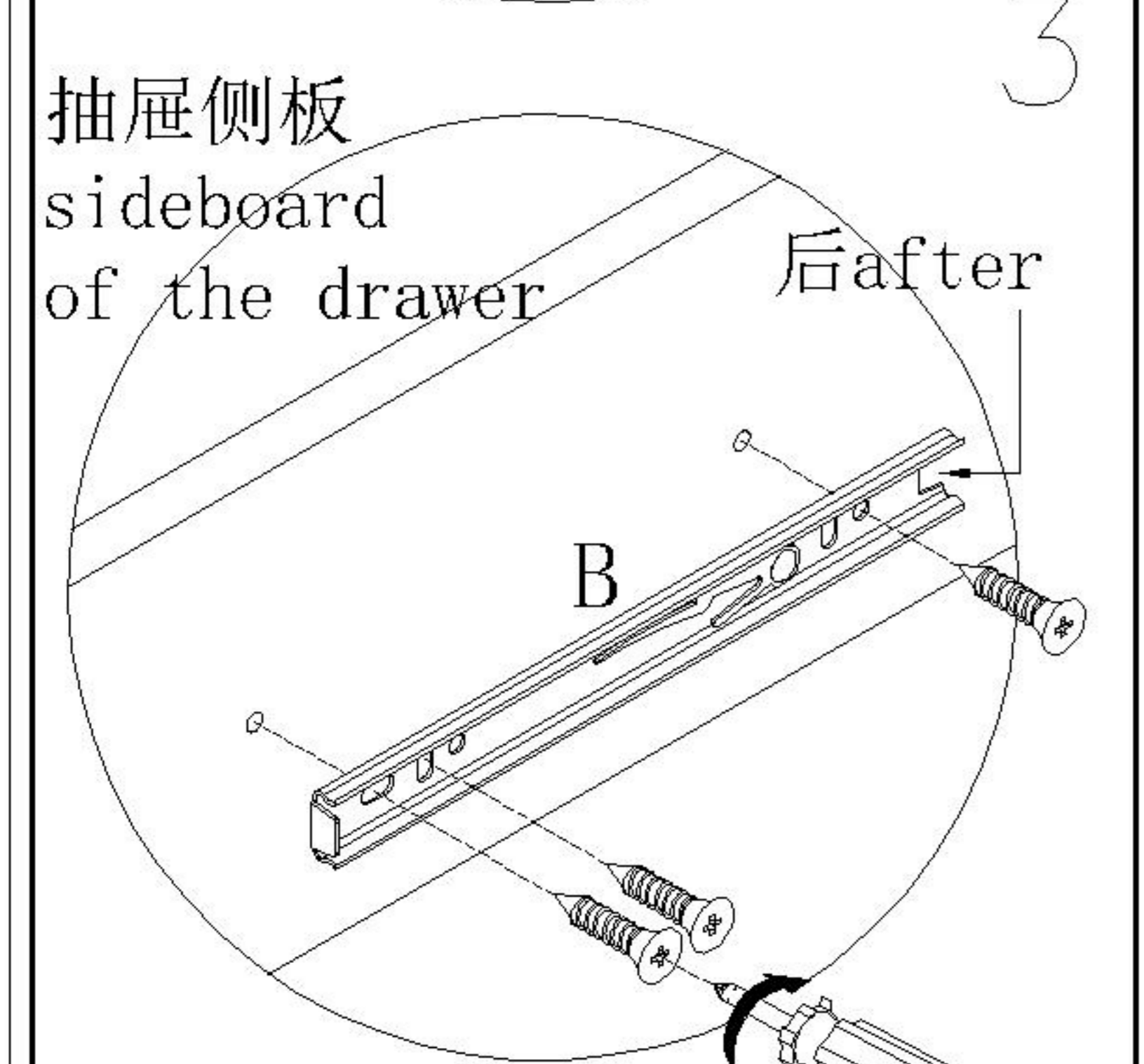
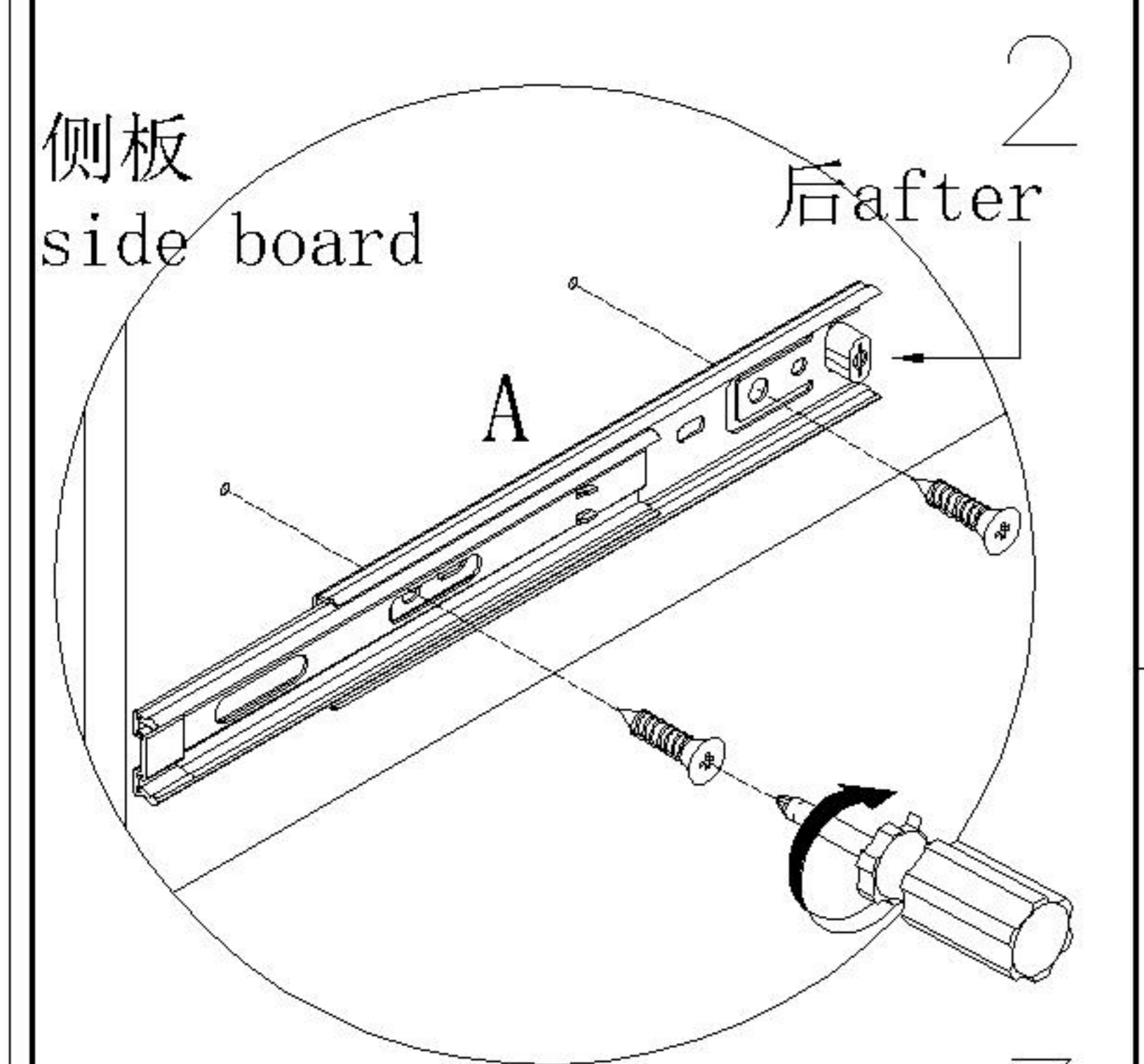
OV8A-C 1.5m 床身

安装方法/  
Installation method

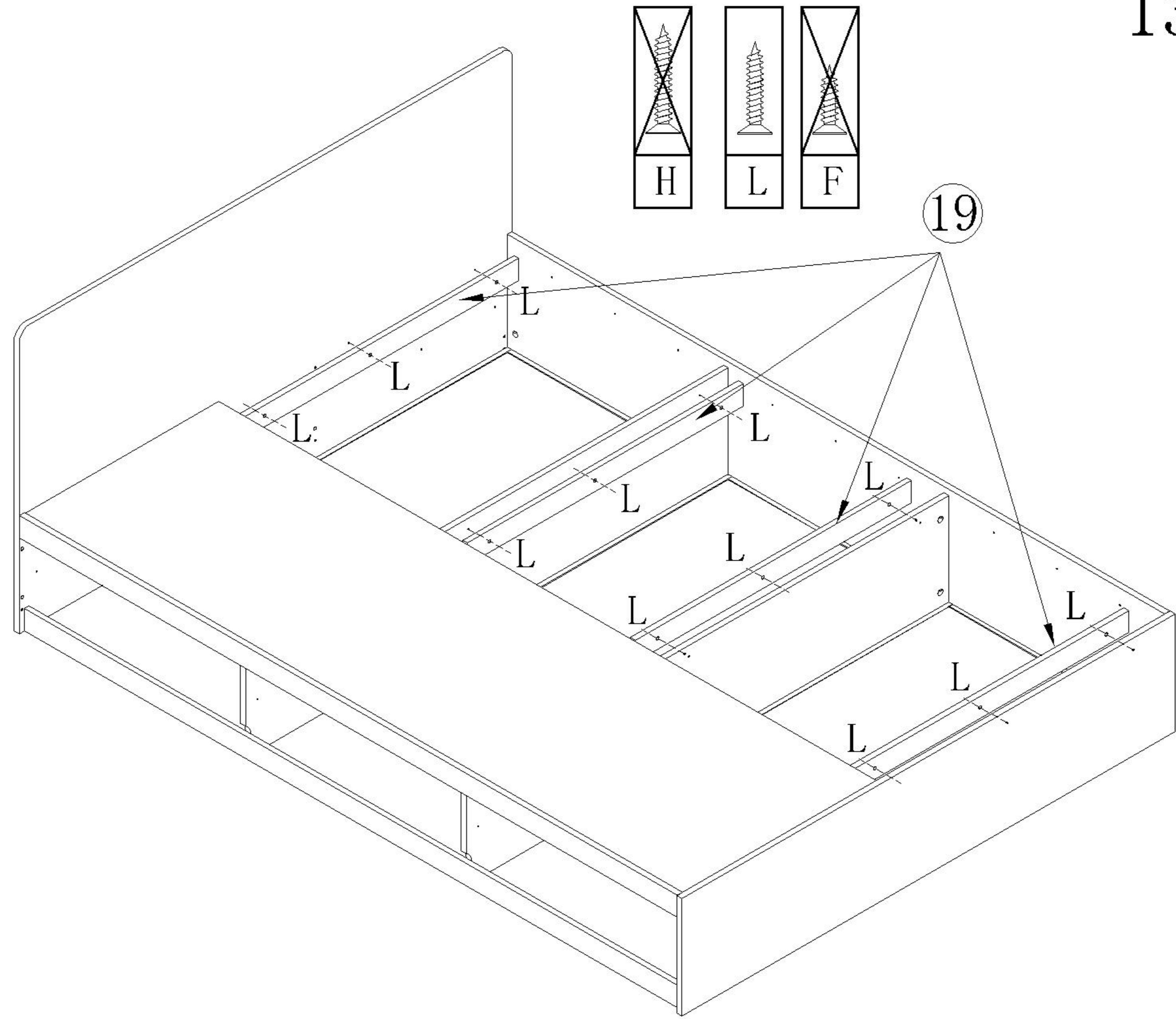
1  
阀门开关(下压为开)  
Valve switch  
(press down to open)



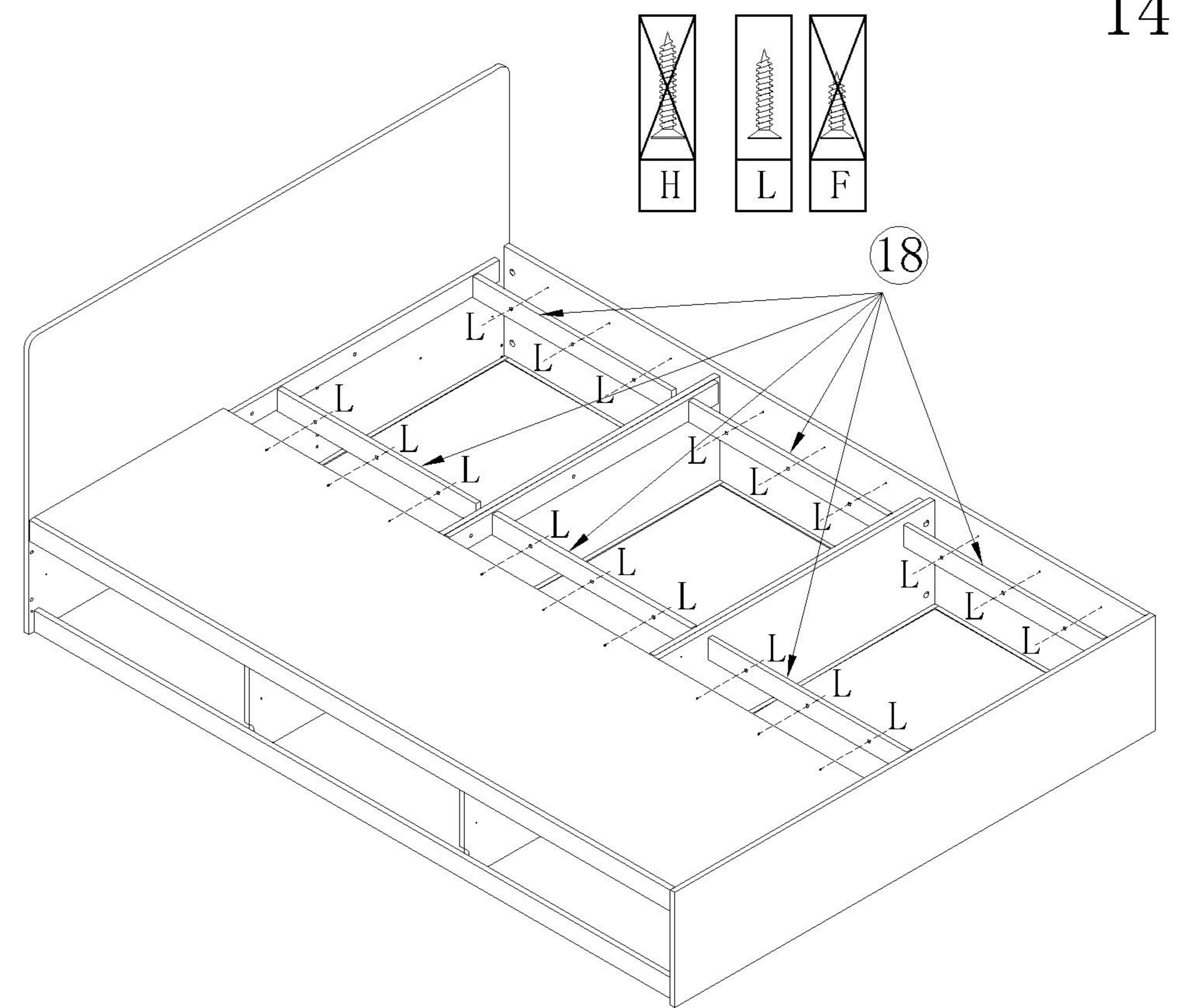
注: 先将A与B拆下来  
Note: remove a and B first



(L)\*12

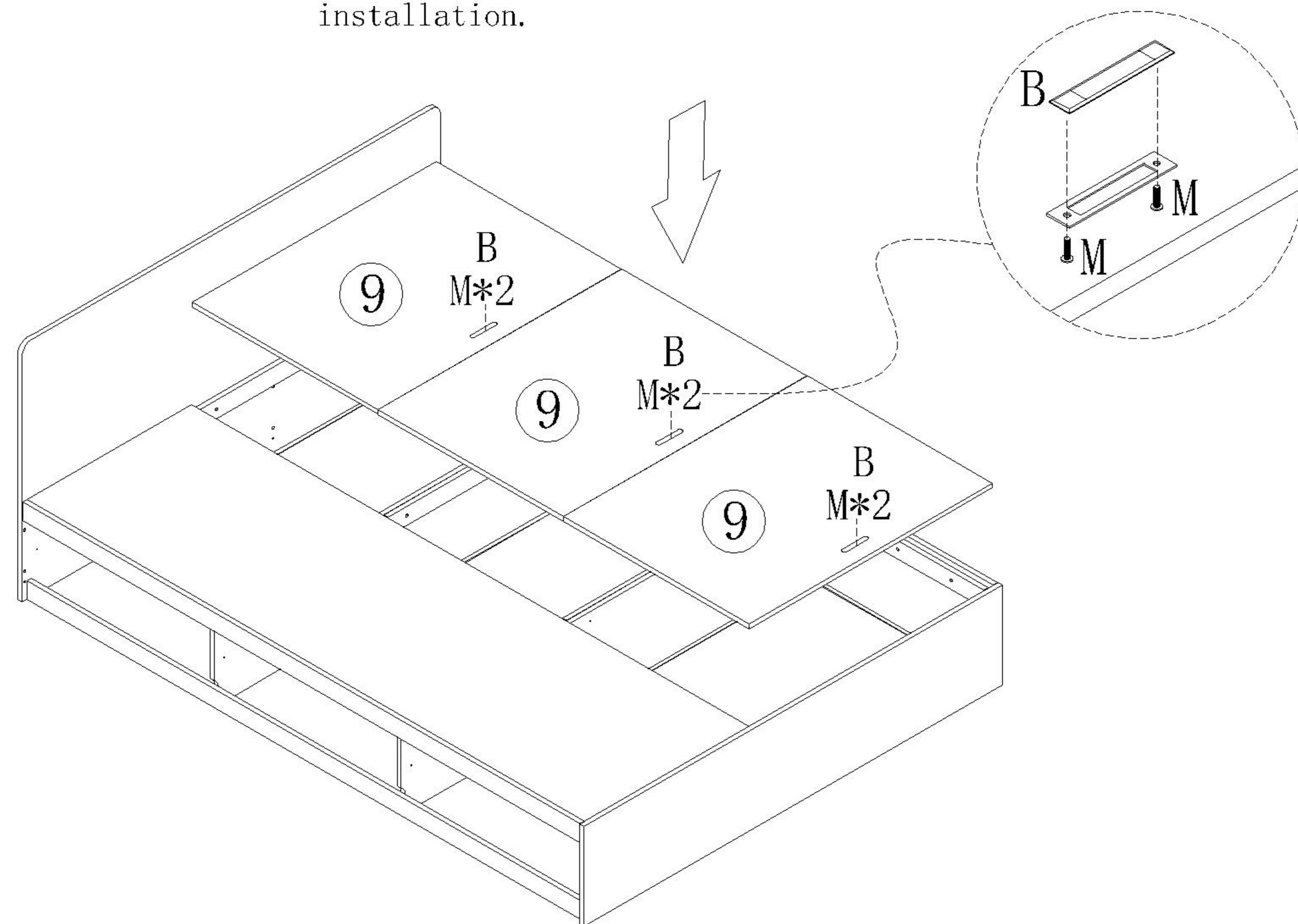


(L)\*18



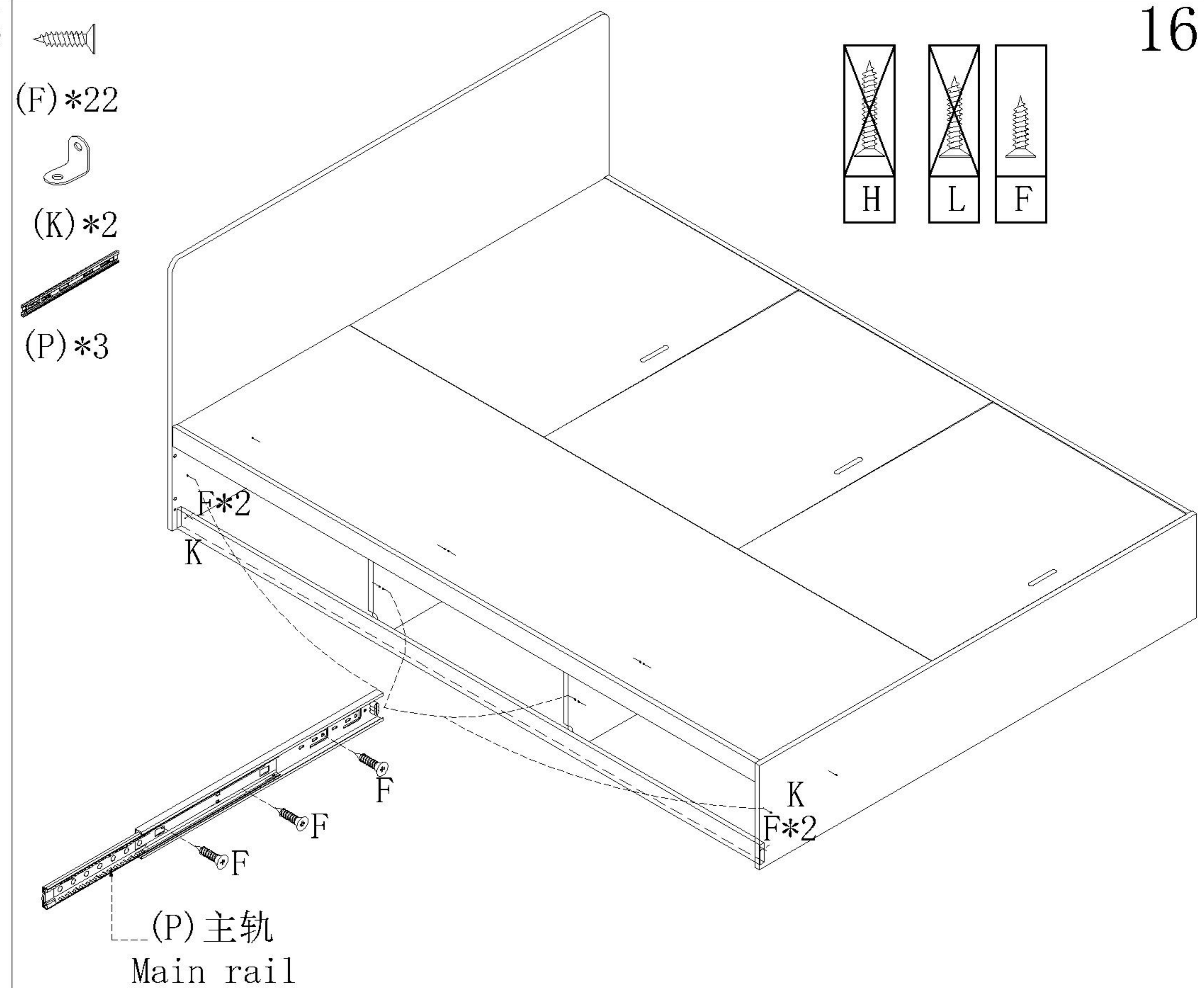
(B)\*3 (M)\*6

注意! 安装五金B时请勿使用五金B内拉手螺丝安装, 需使用五金M进行安装。  
Attention! When installing hardware B, do not use the internal handle screws of hardware B for installation. Instead, use hardware M for installation.



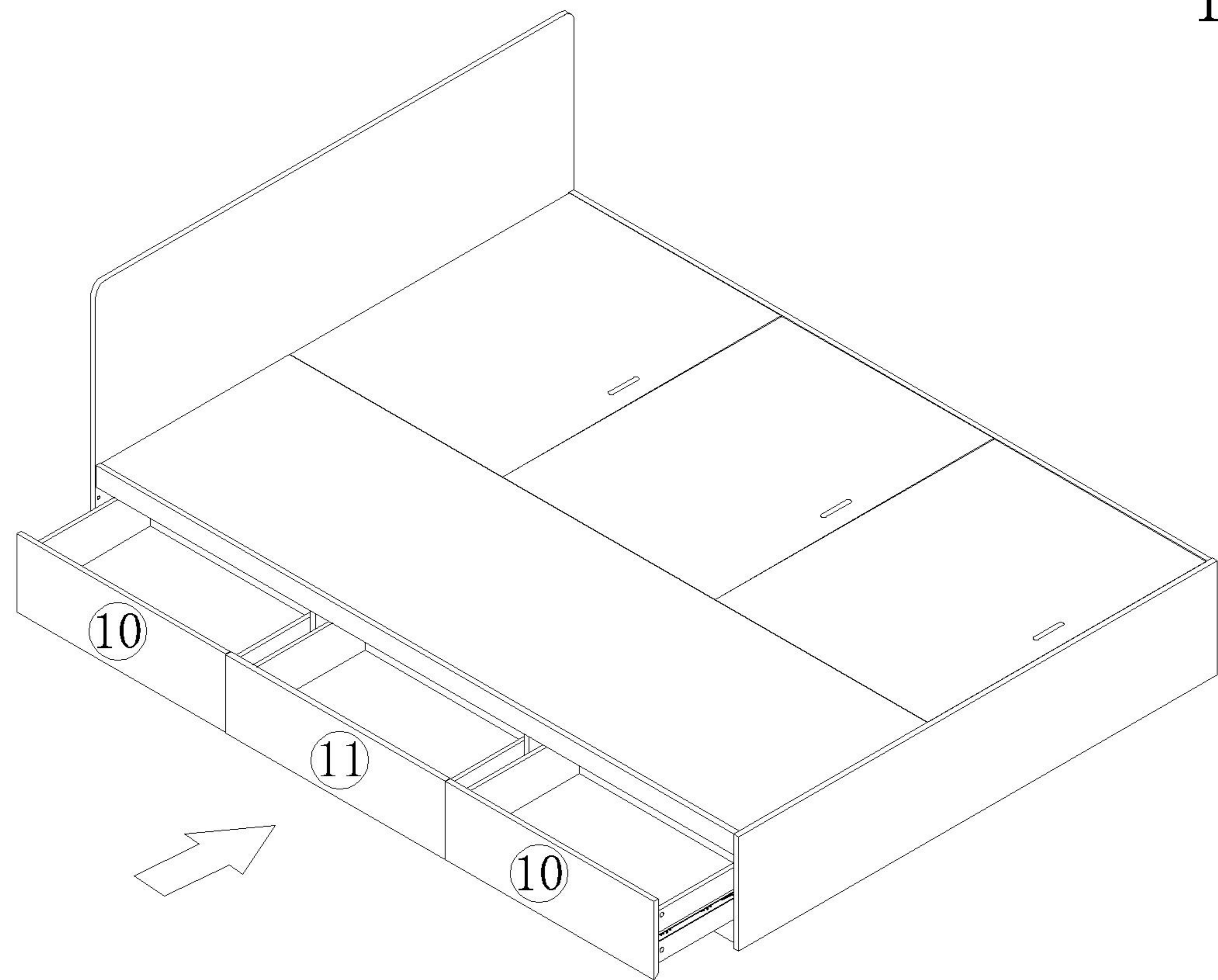
(F)\*22

(K)\*2  
(P)\*3



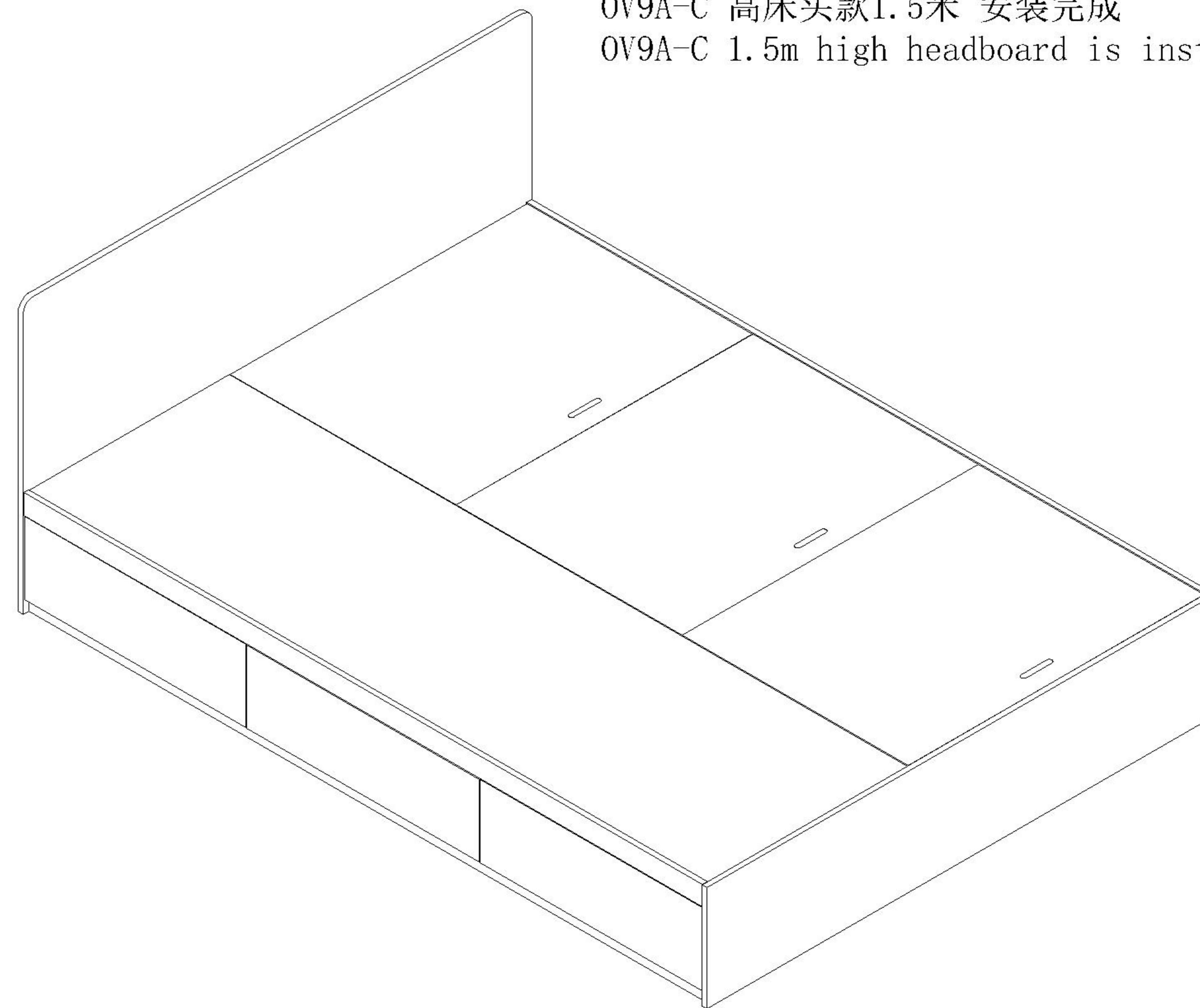
OV8A-C 1.5m 床身

安装方法/  
Installation method

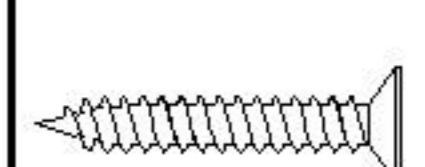


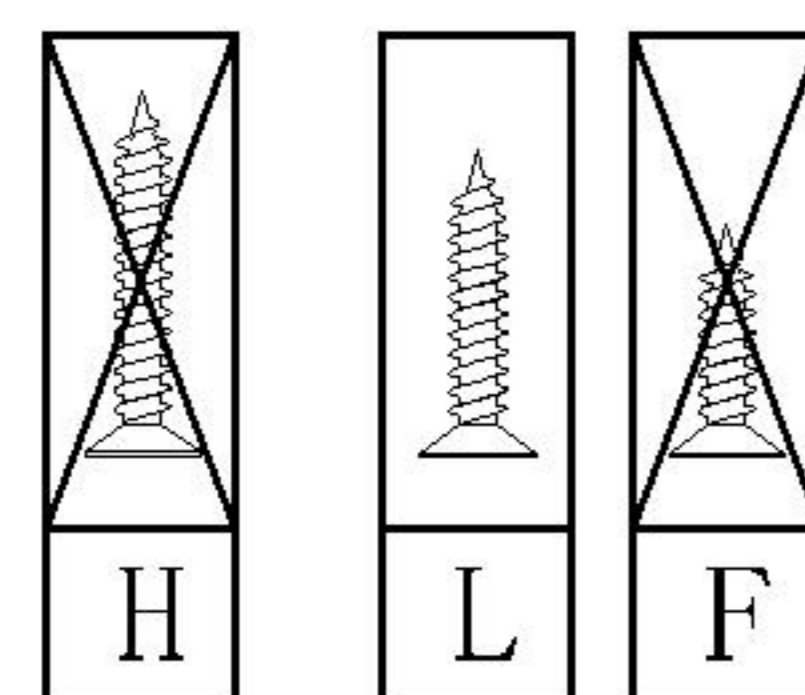
17

OV9A-C 高床头款1.5米 安装完成  
OV9A-C 1.5m high headboard is installed



18

  
(L)\*8

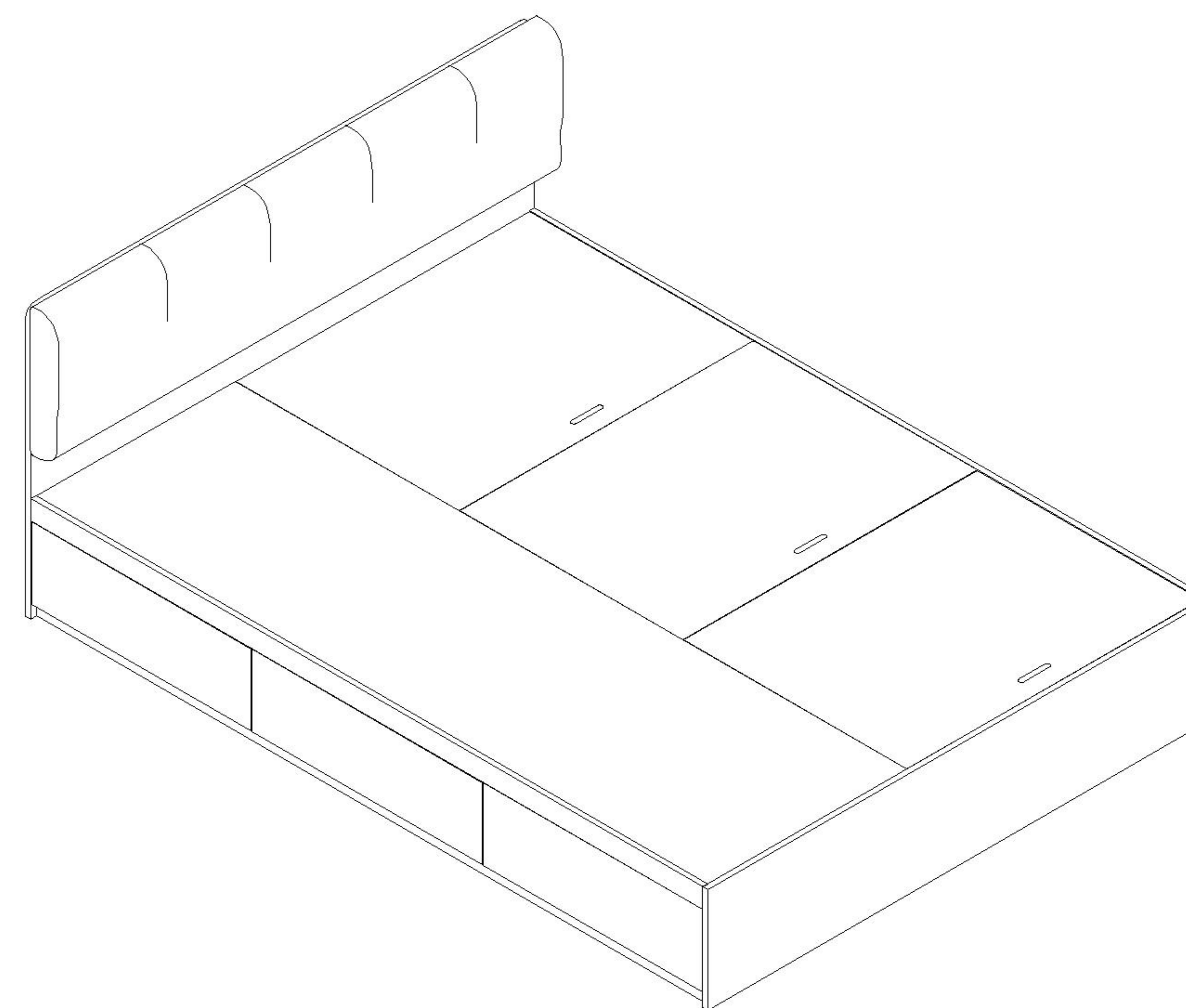
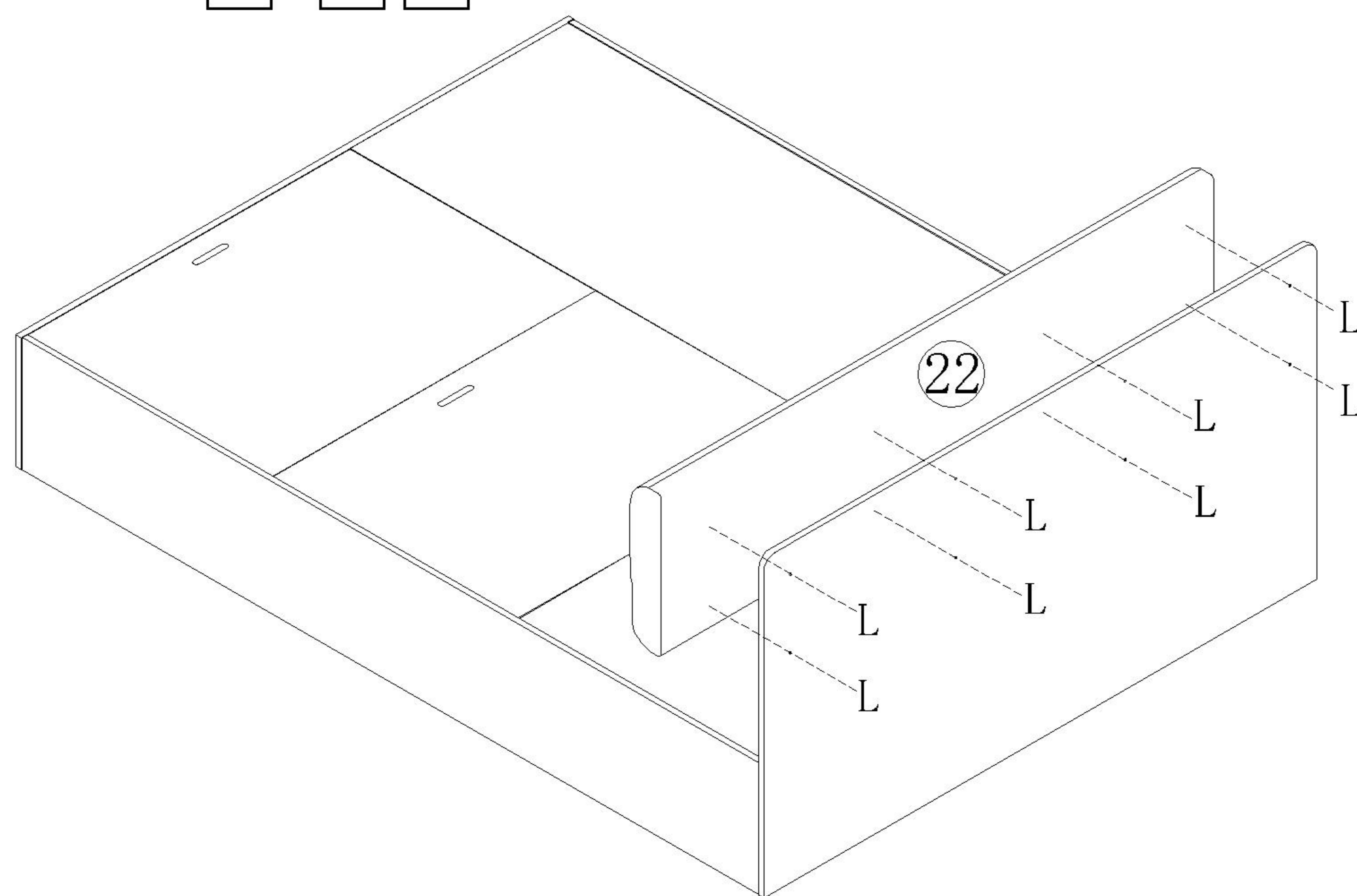


OV10A-C 软包床头款1.5米 按以下步骤安装  
OV10A-C soft bag headboard 1.5m Follow the steps below to install

19

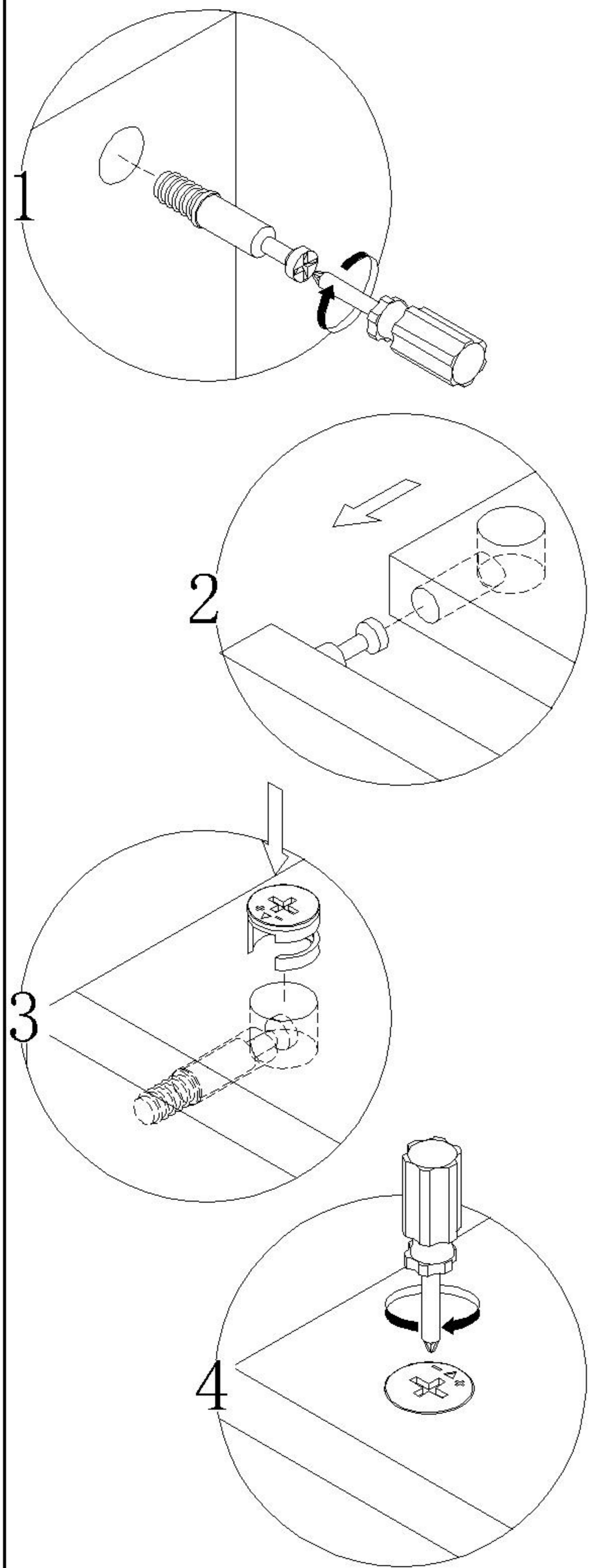
OV10A-C 软包床头款1.5米 安装完成  
OV10A-C soft bag headboard 1.5m installation completed

20



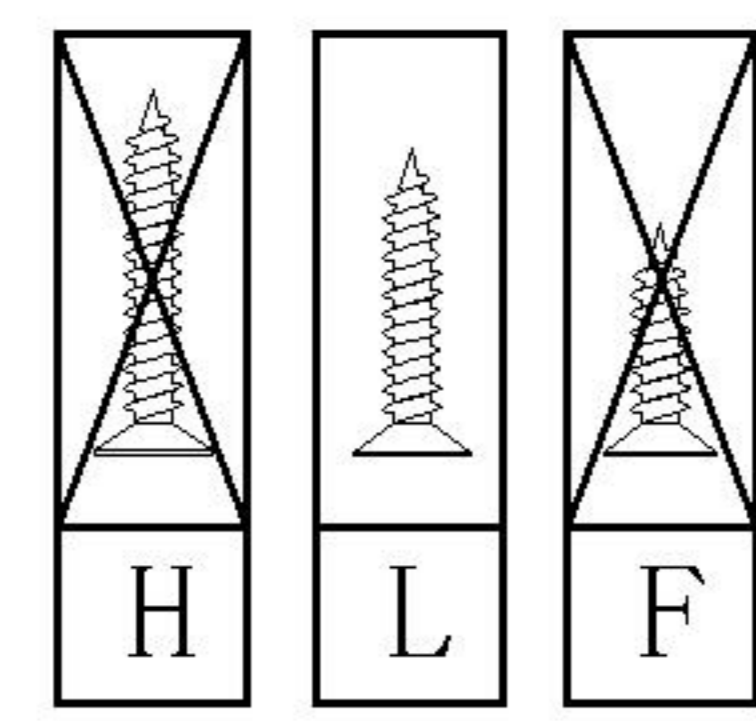
OV8A-C 1.5m 床身

安装方法/  
Installation method

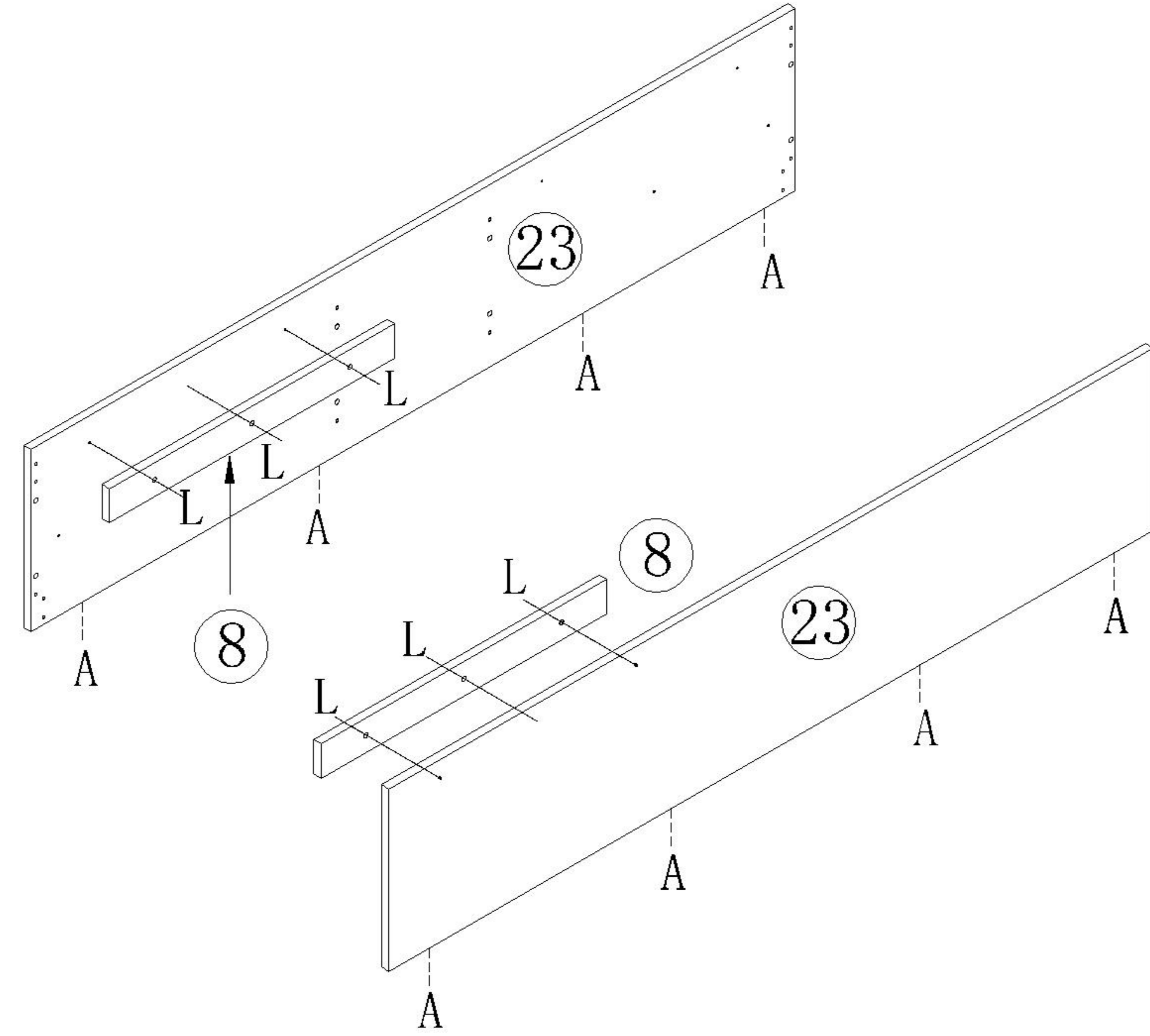


大二合一  
two-in-one

(A)\*8  
(L)\*6

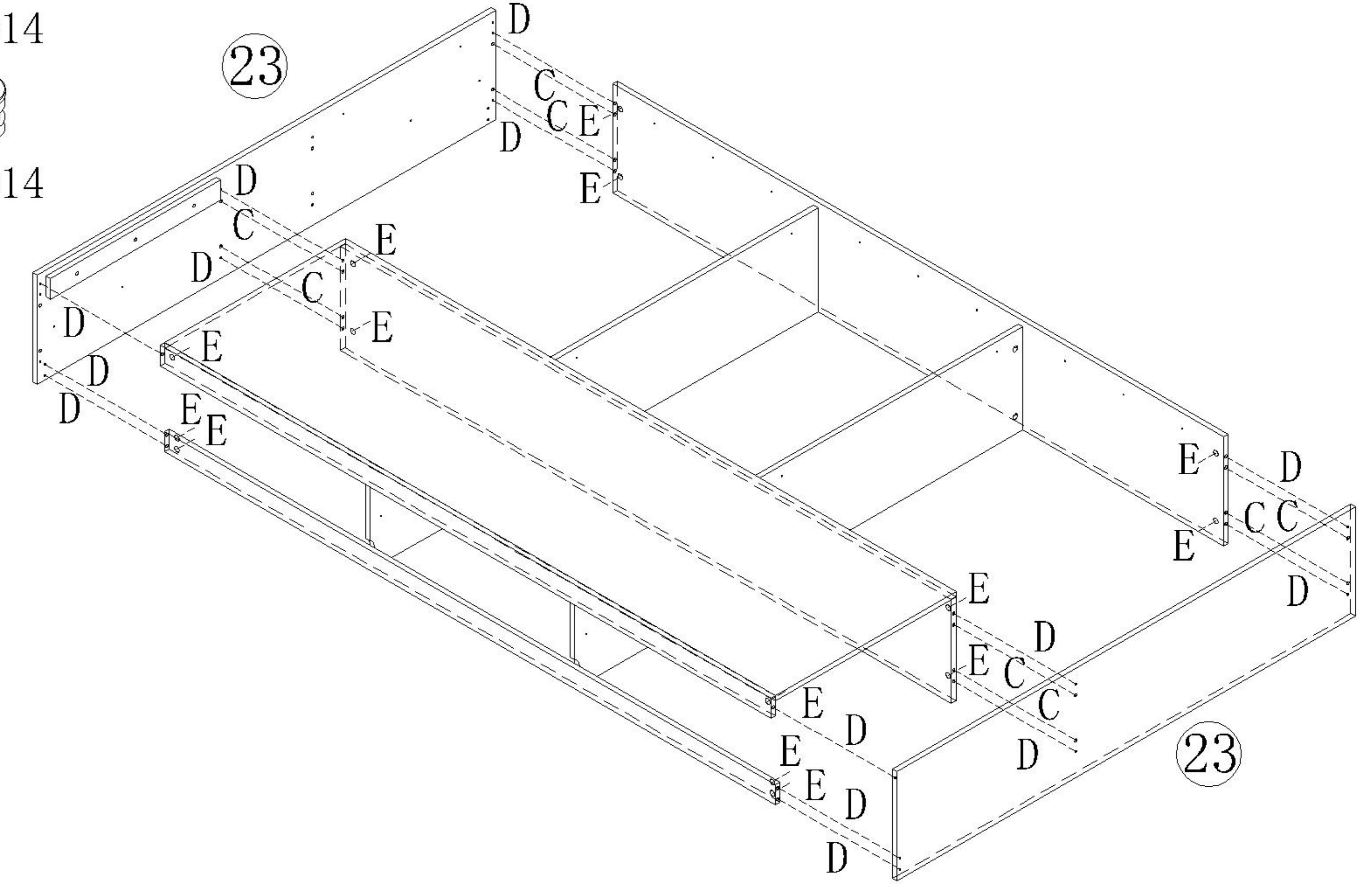


OV8A-C 矮床头款1.5米 按以下步骤安装  
OV8A-C Low Headboard 1.5m Follow  
the steps below to install



21

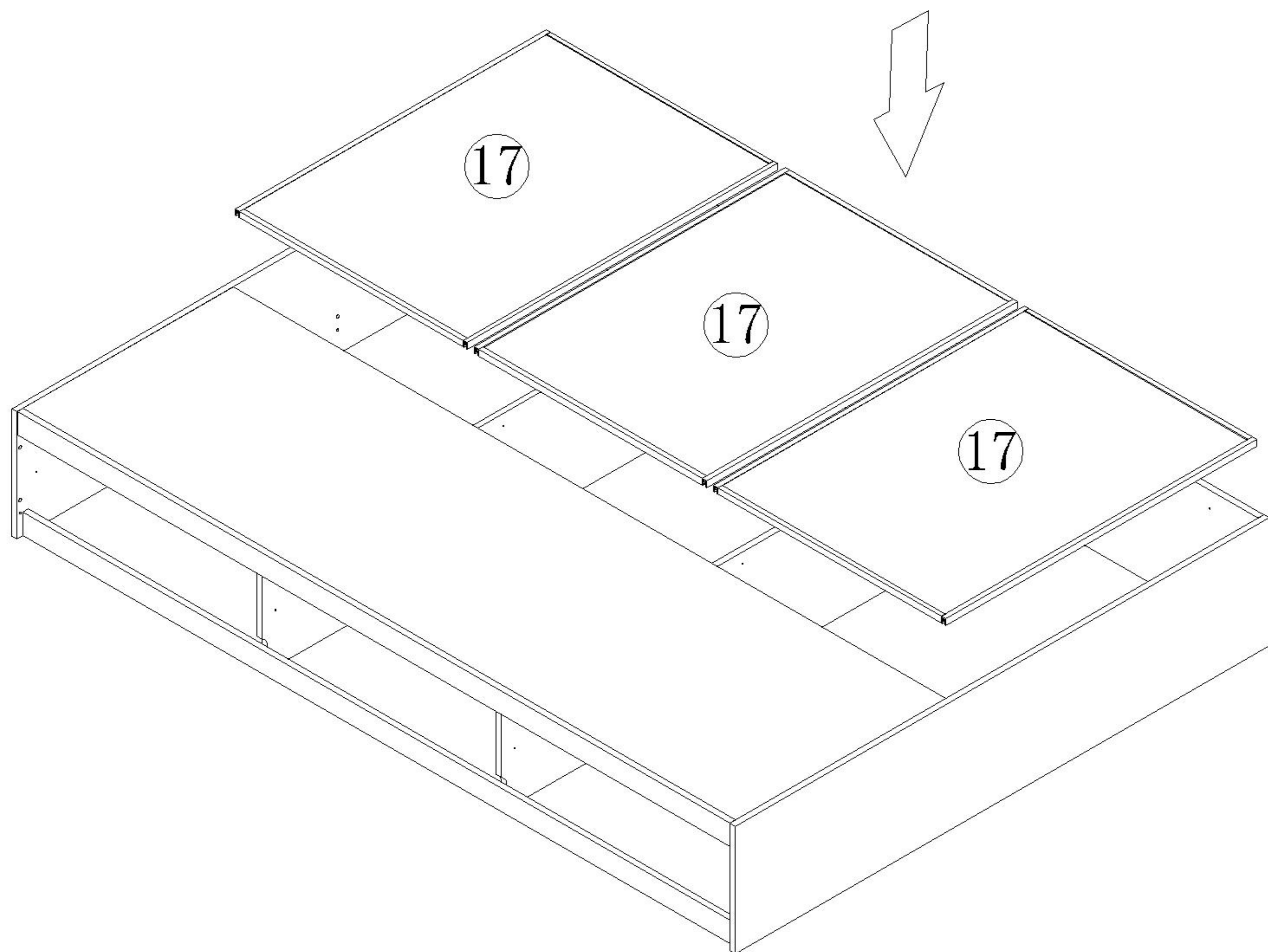
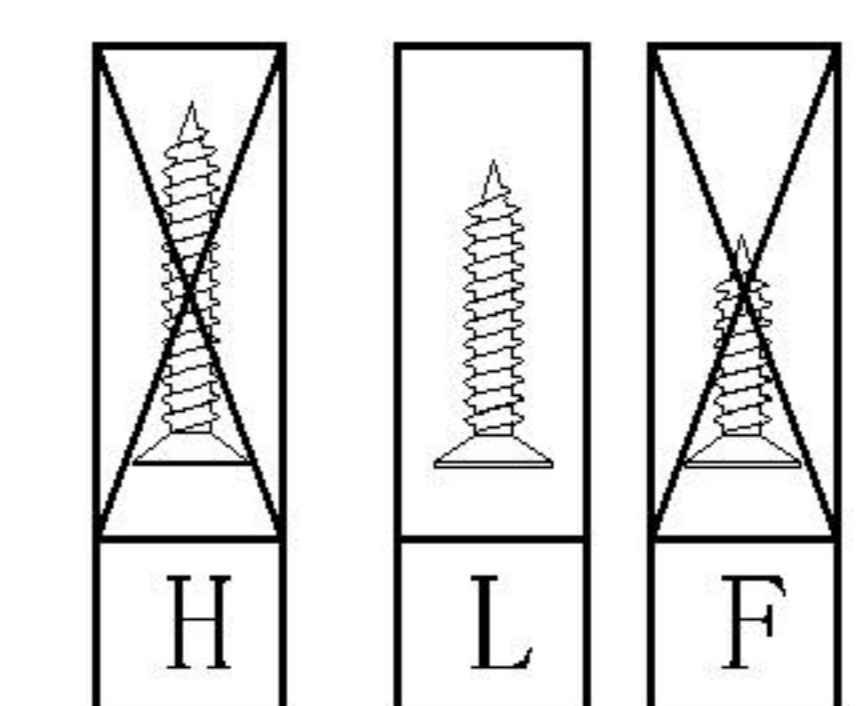
(C)\*8  
(D)\*14  
(E)\*14



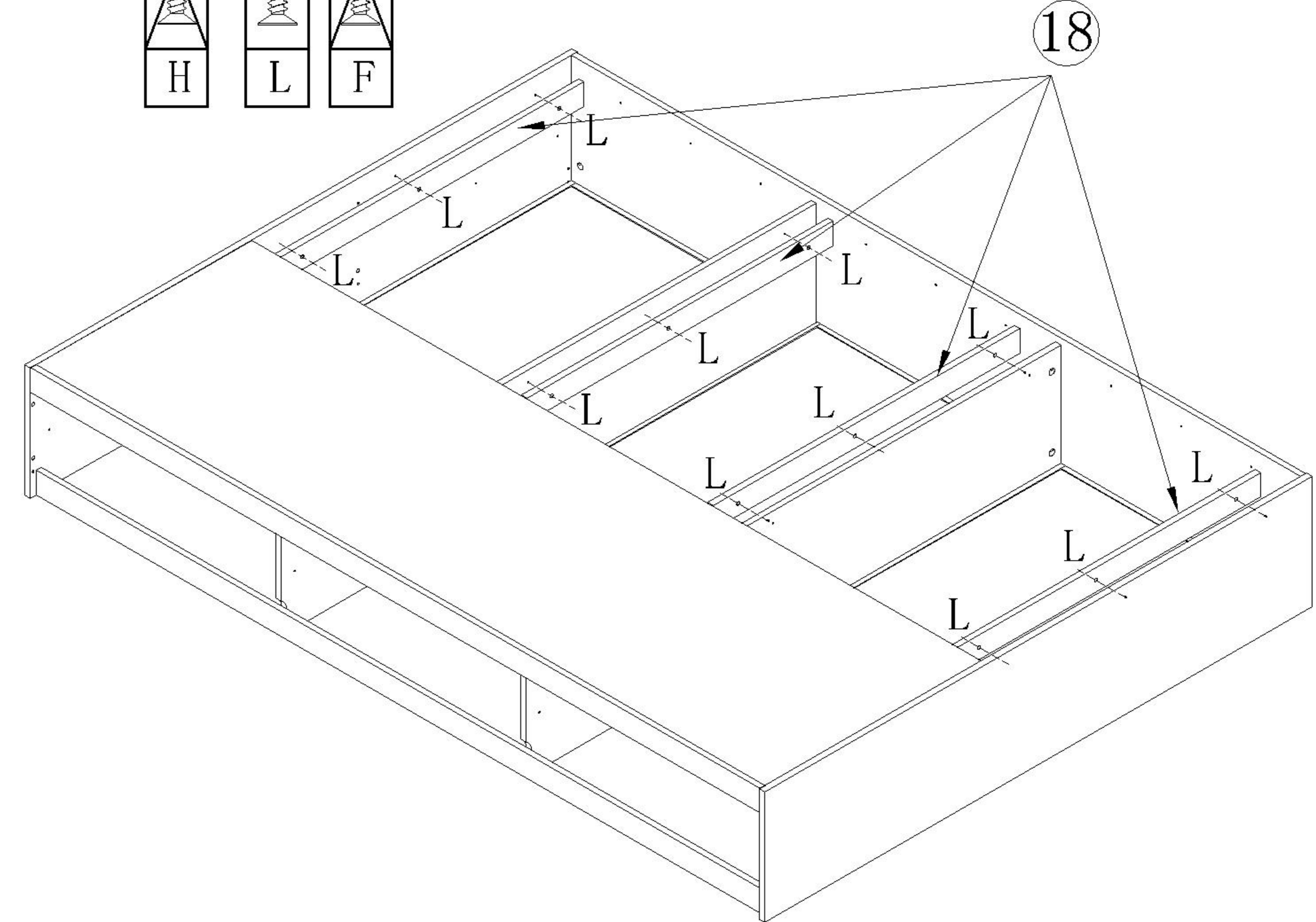
22

23

(L)\*12



24

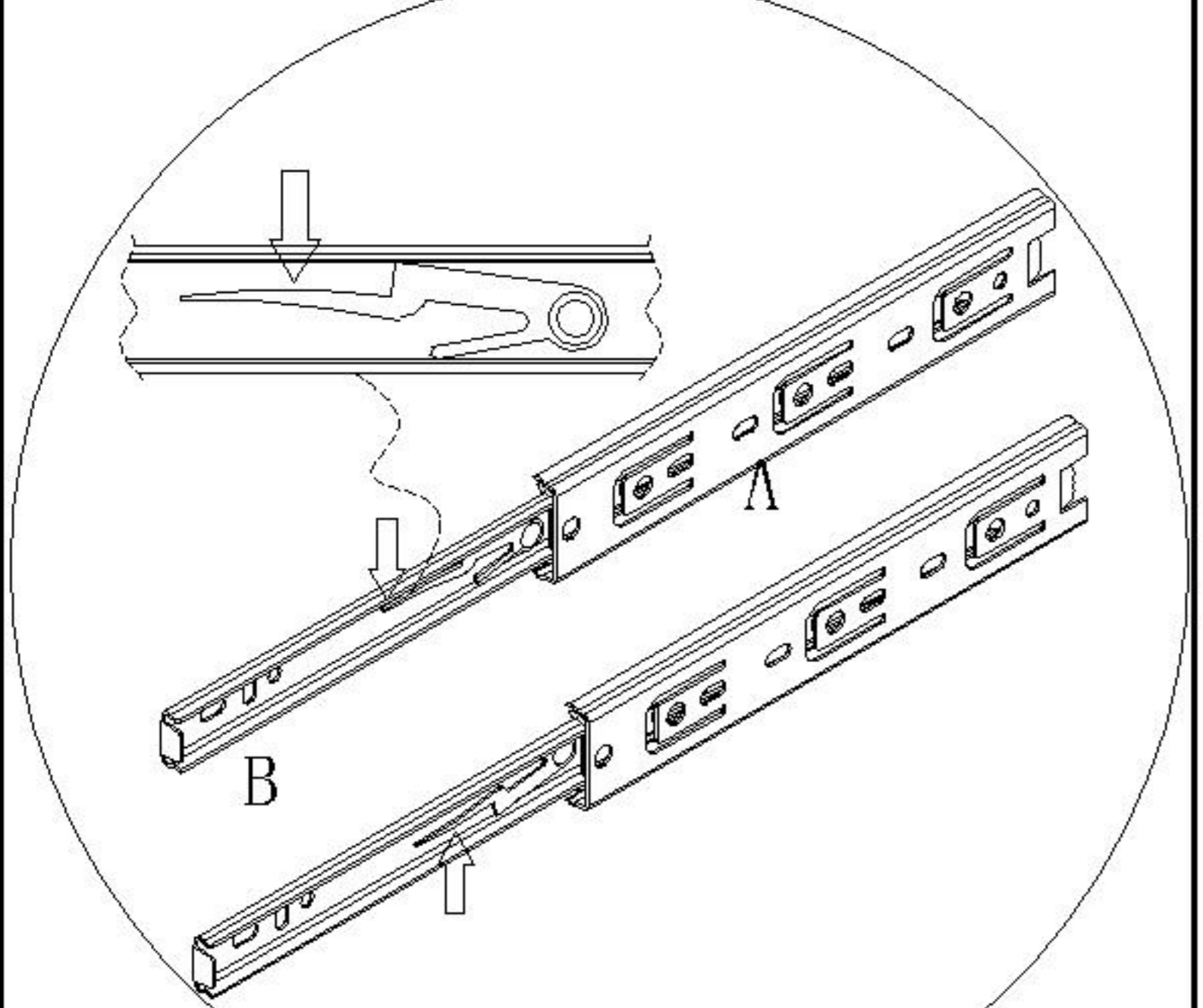




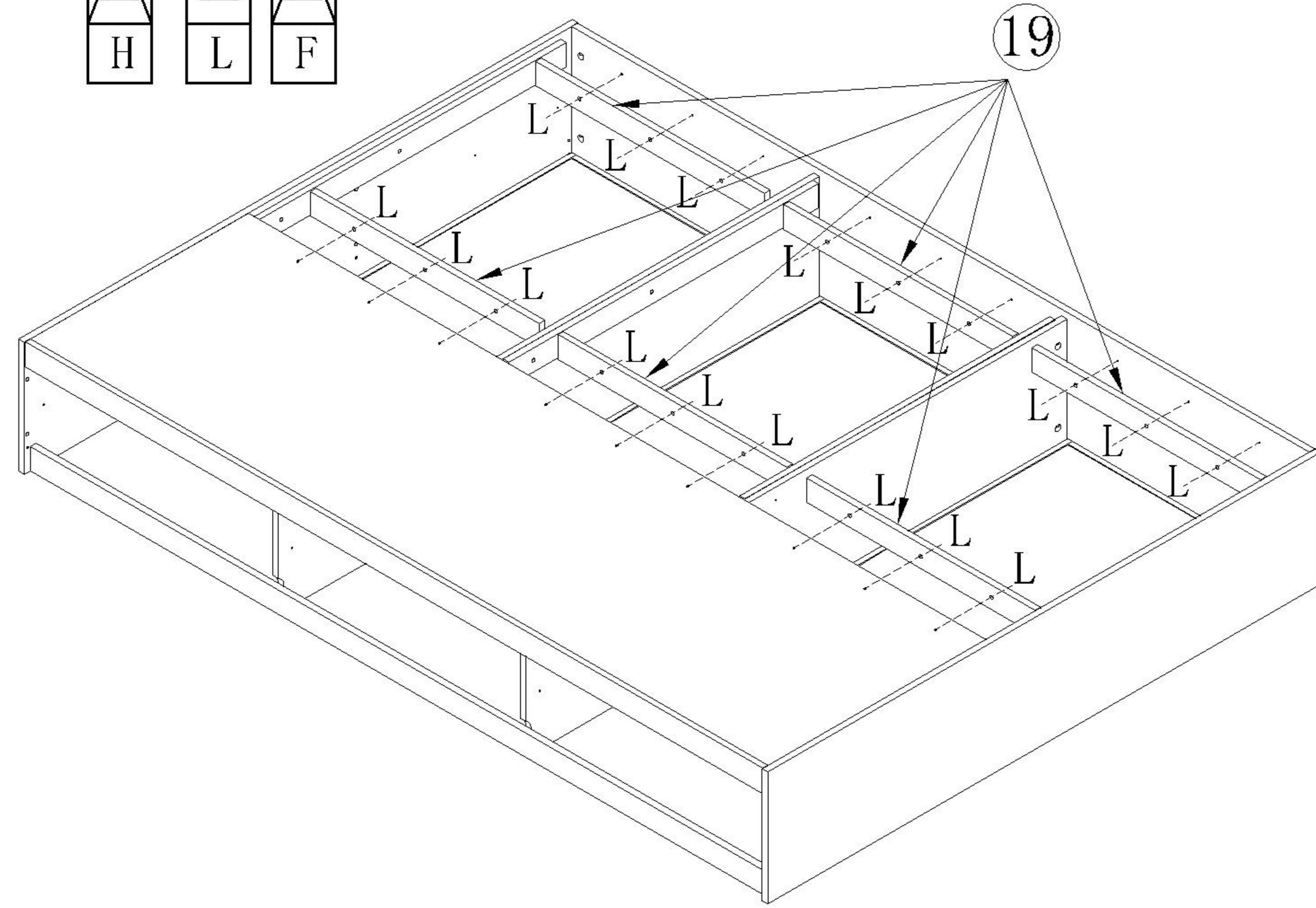
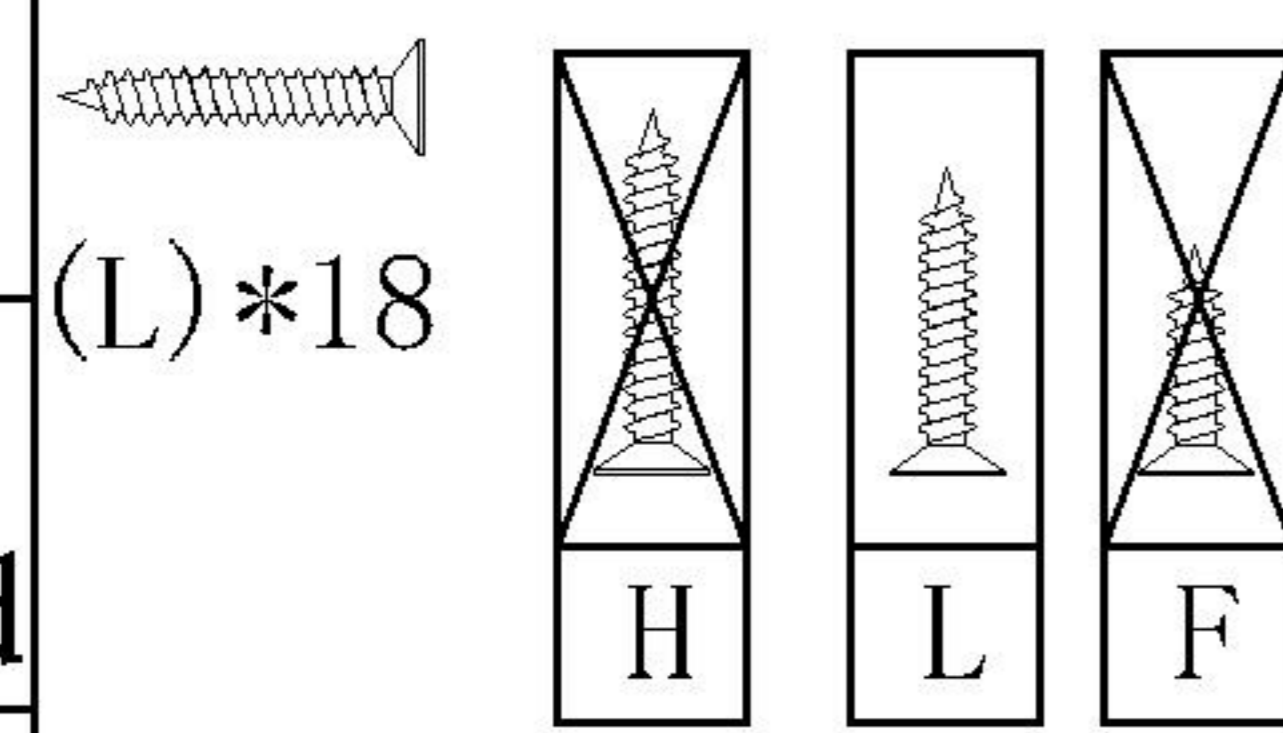
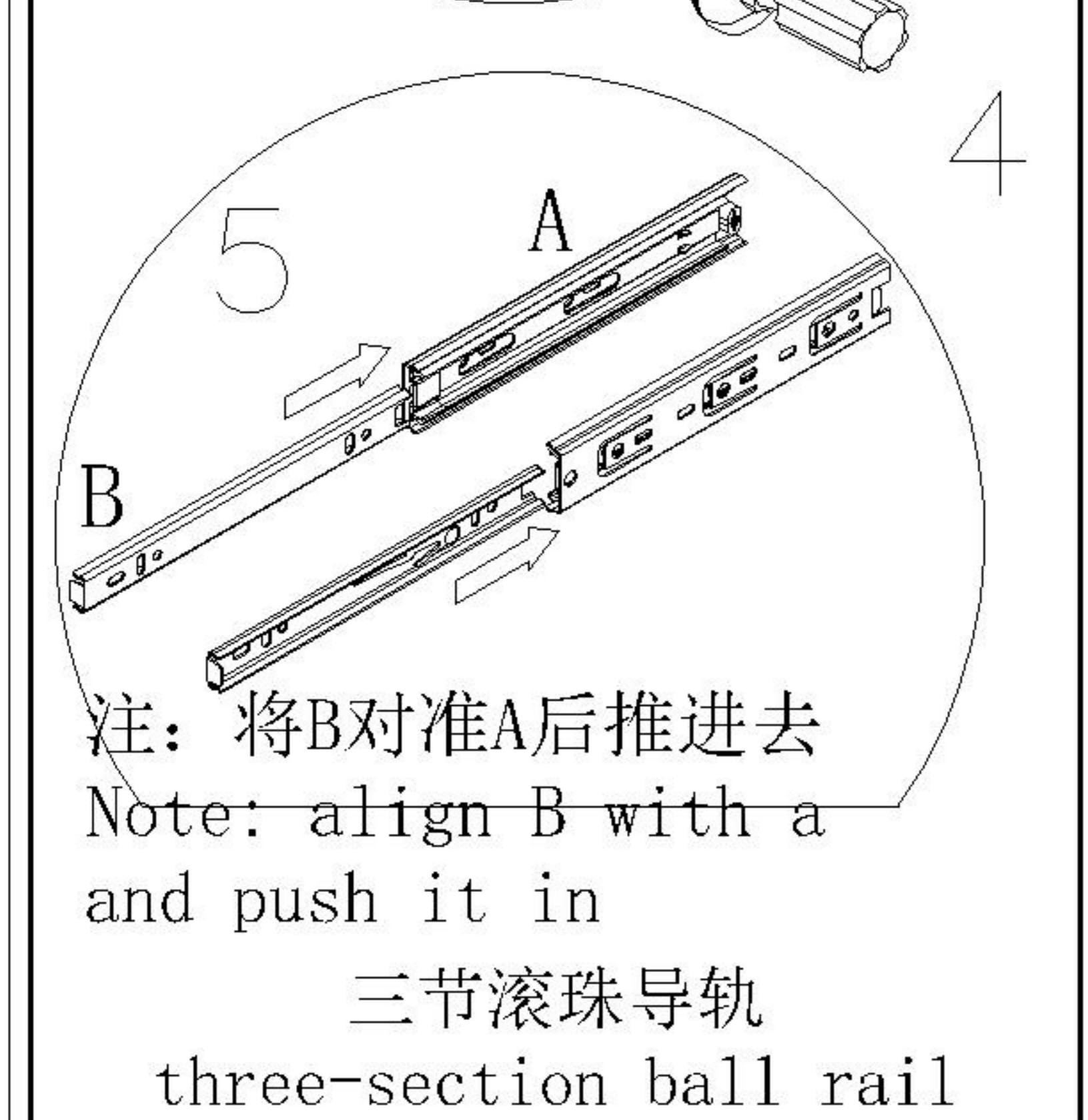
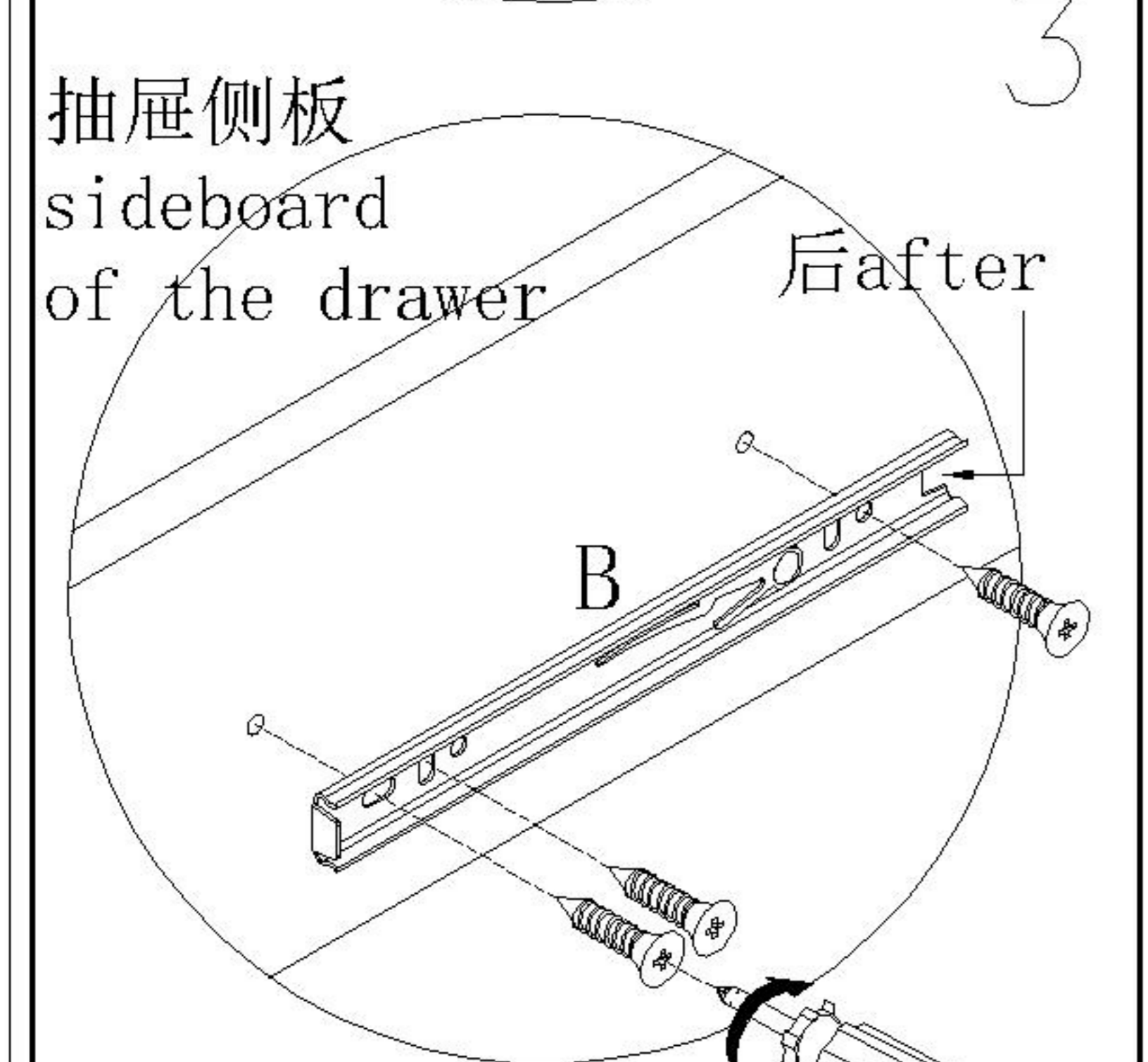
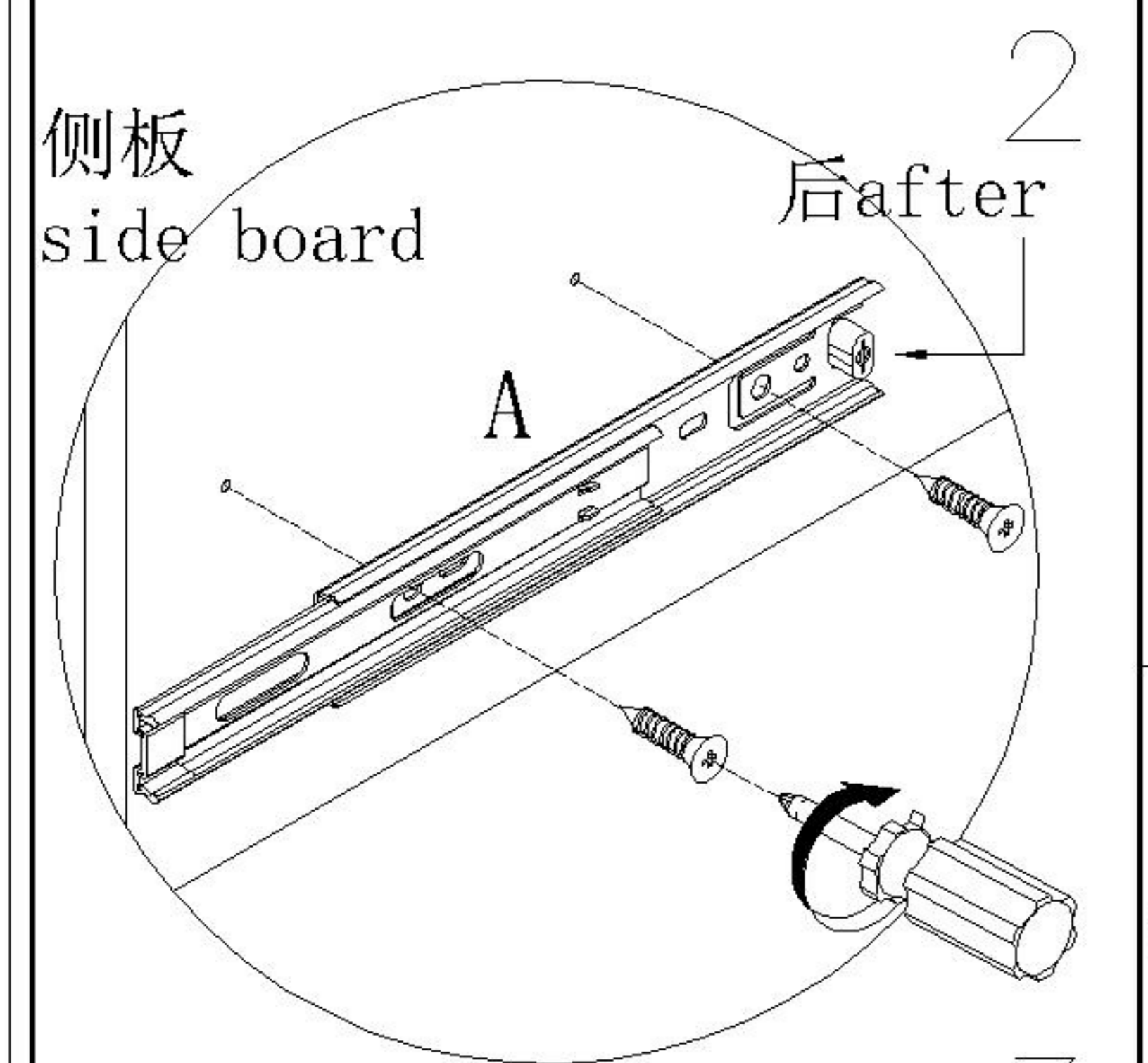
OV8A-C 1.5m 床身

安装方法/  
Installation method

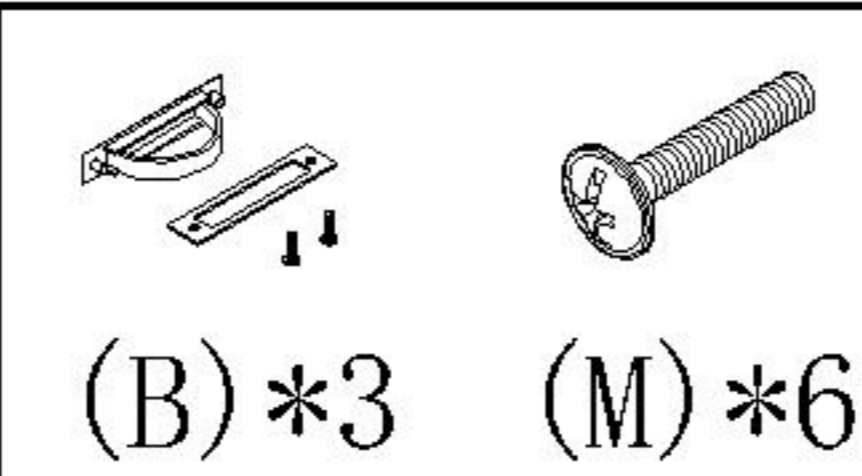
1  
阀门开关(下压为开)  
Valve switch  
(press down to open)



注: 先将A与B拆下来  
Note: remove a and B first

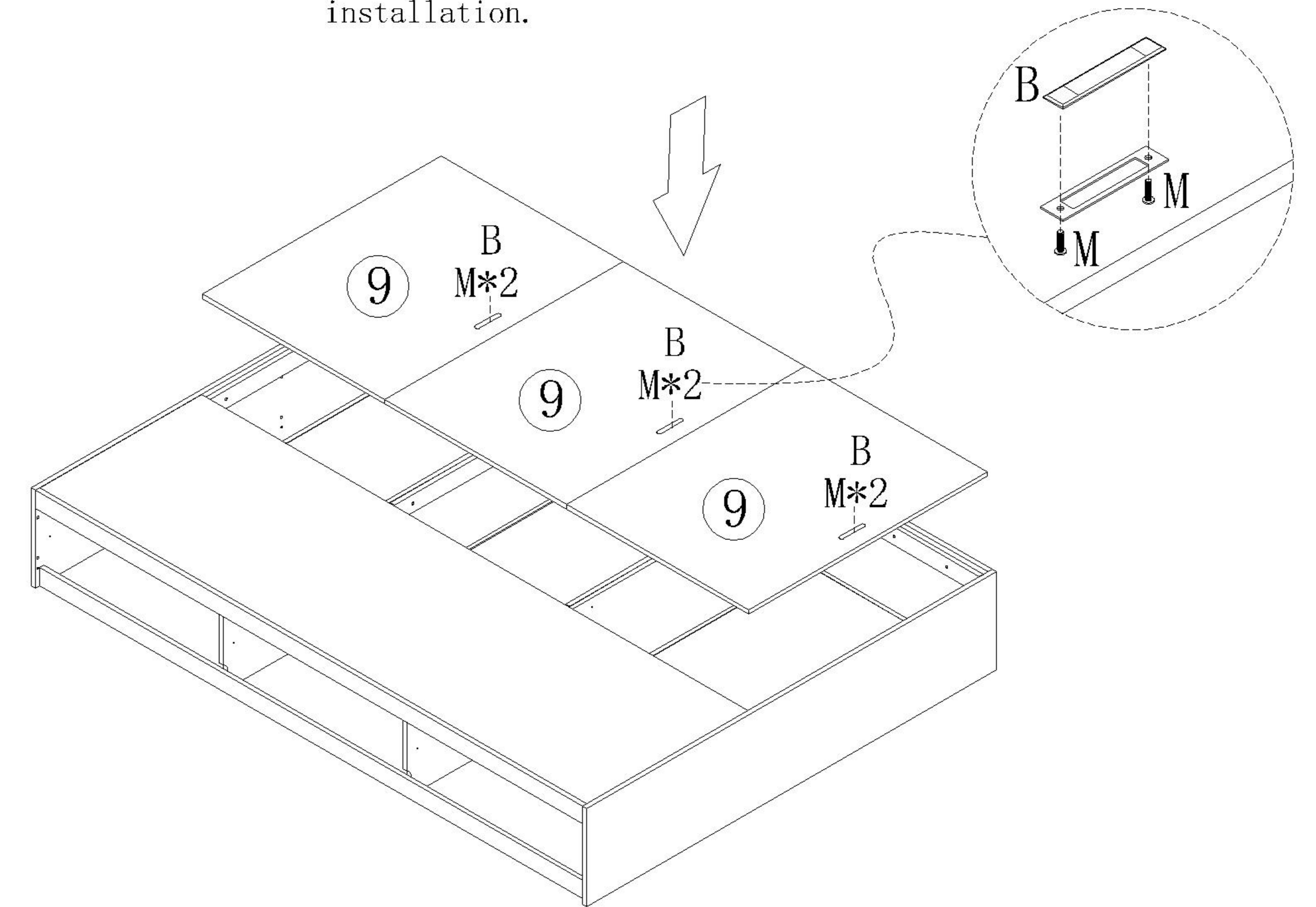


25

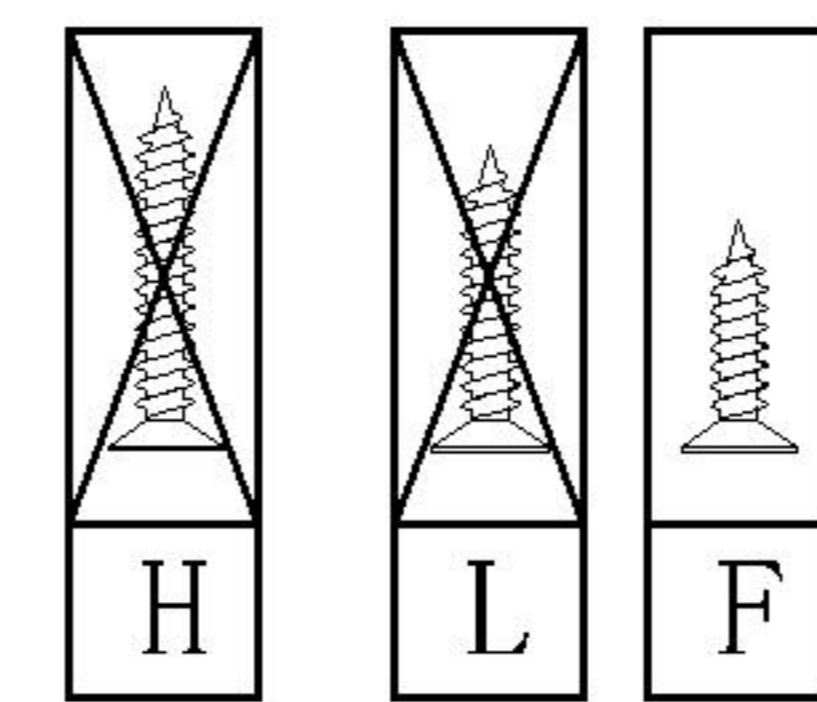
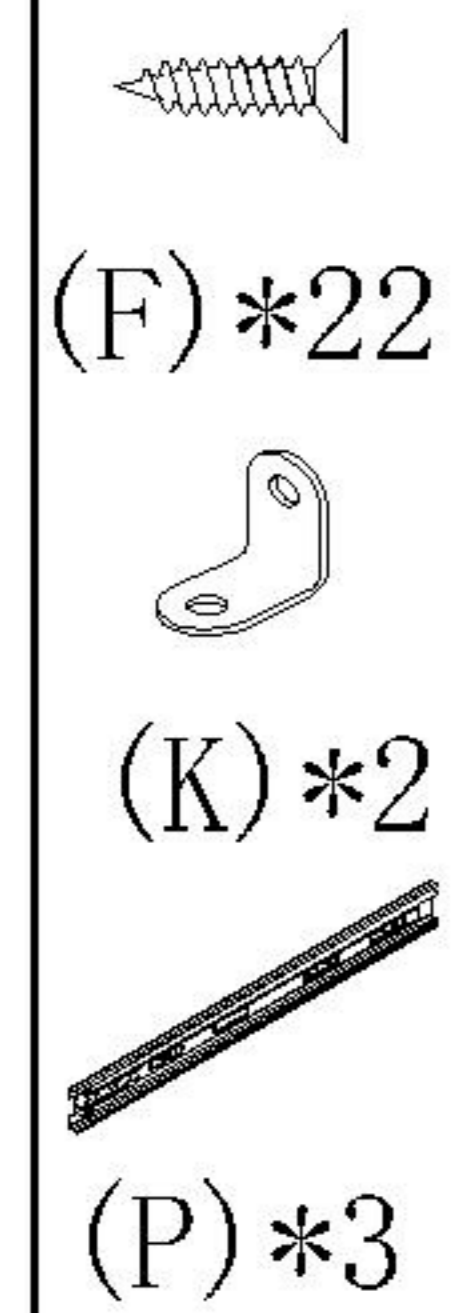


注意! 安装五金B时请勿使用五金B内拉手螺丝安装, 需使用五金M进行安装。

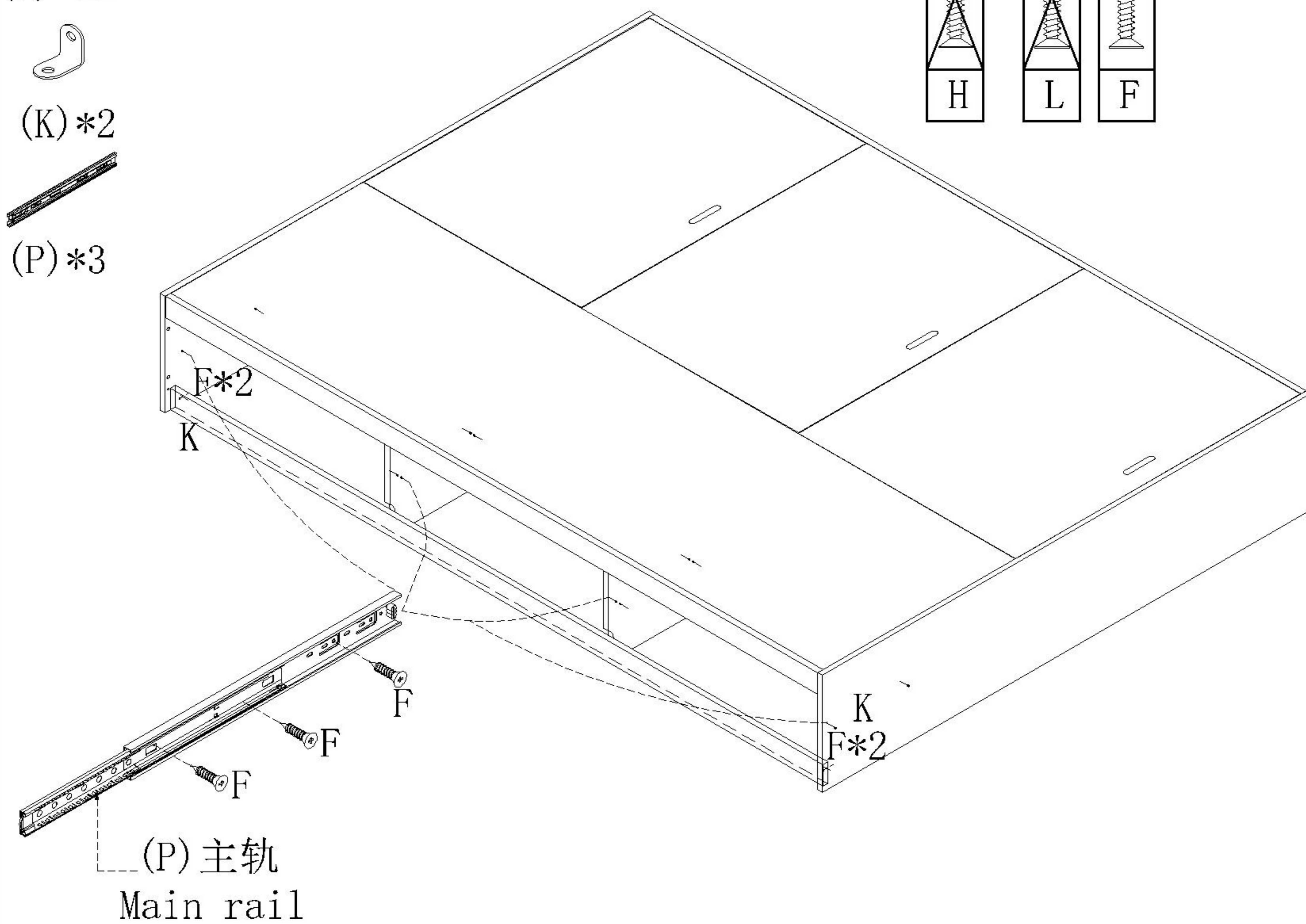
Attention! When installing hardware B, do not use the internal handle screws of hardware B for installation. Instead, use hardware M for installation.



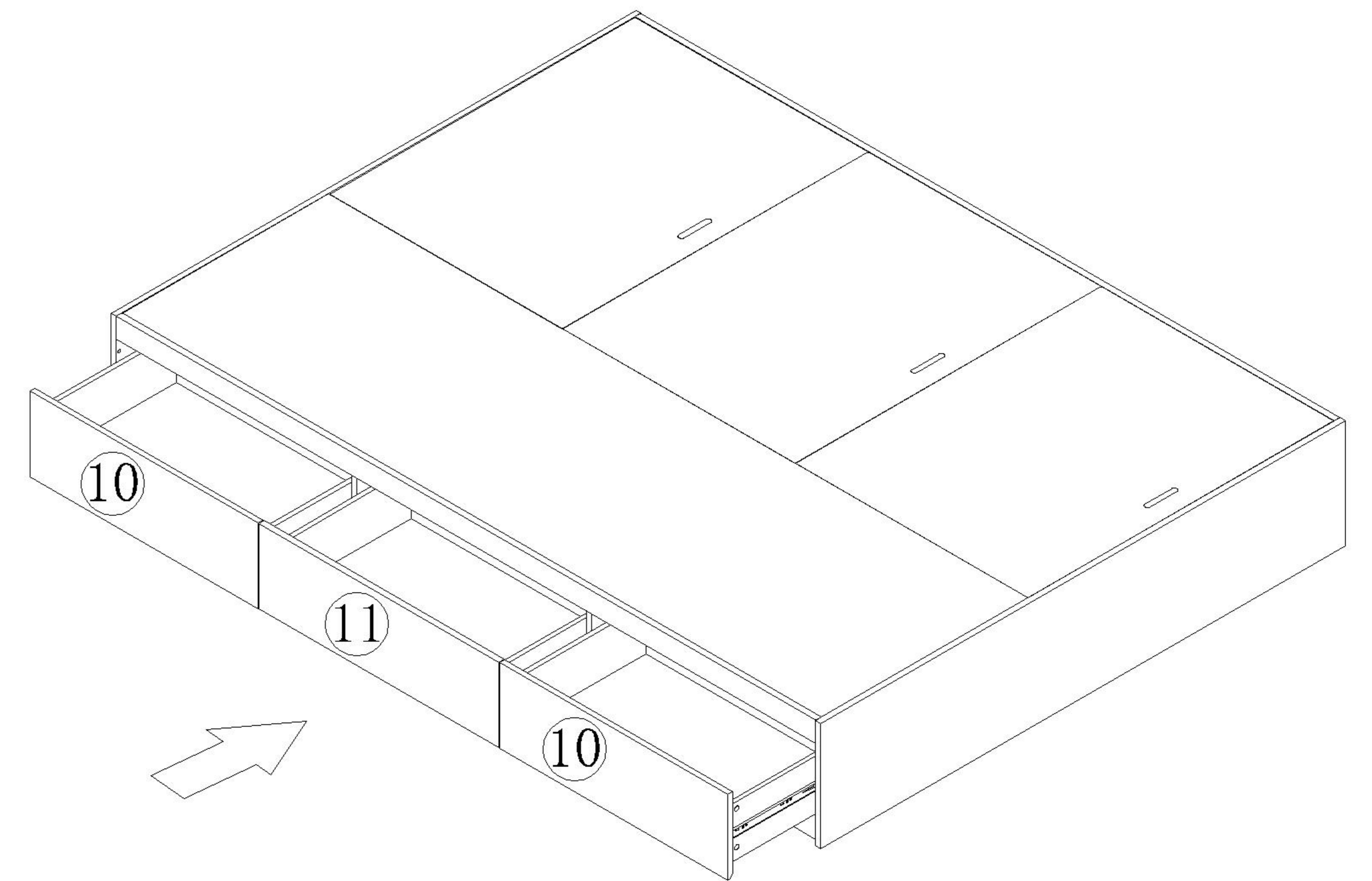
26



27



28



OV8A-C 矮床头款1.5米 安装完成  
OV8A-C low headboard 1.5m installation completed