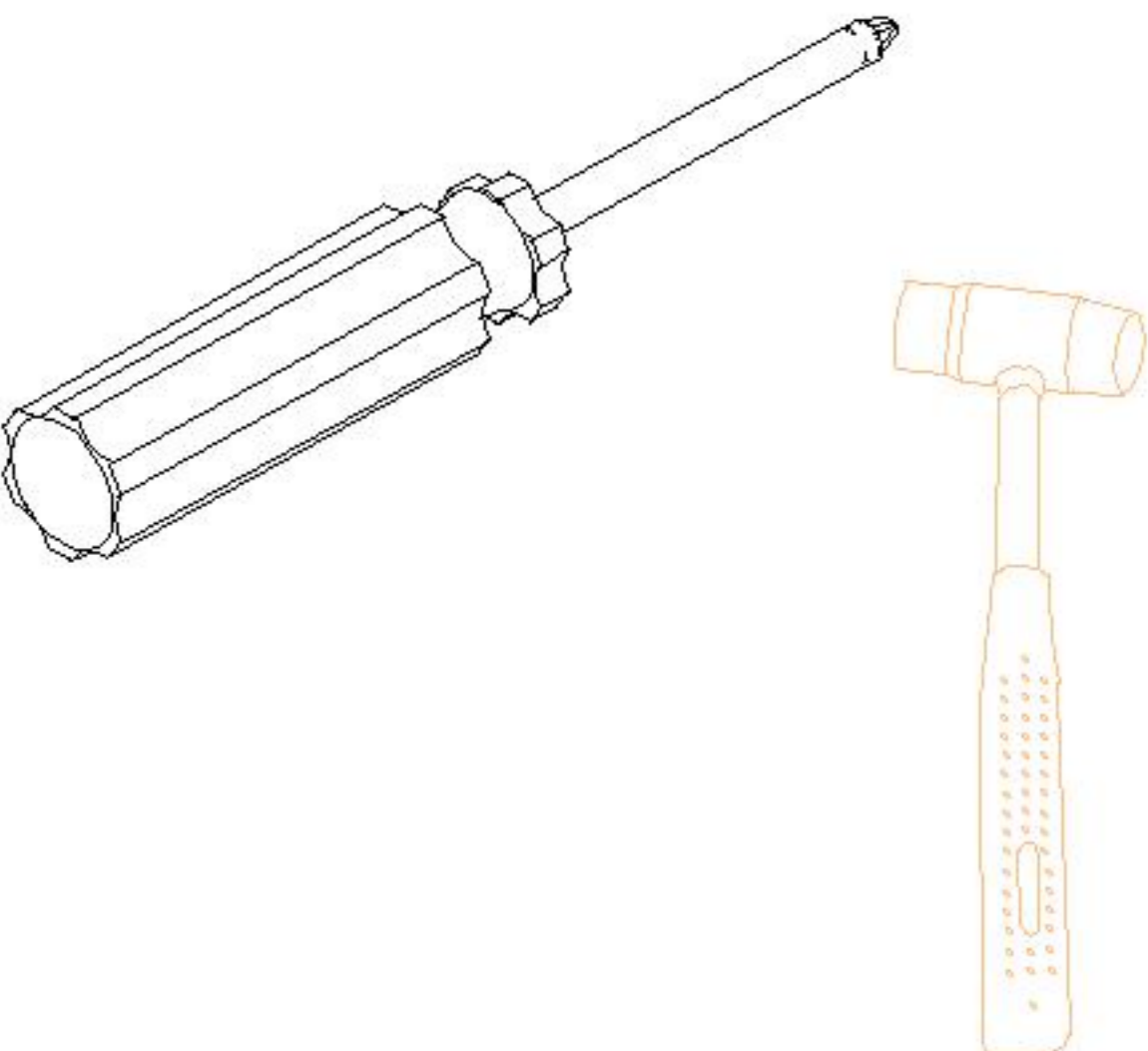
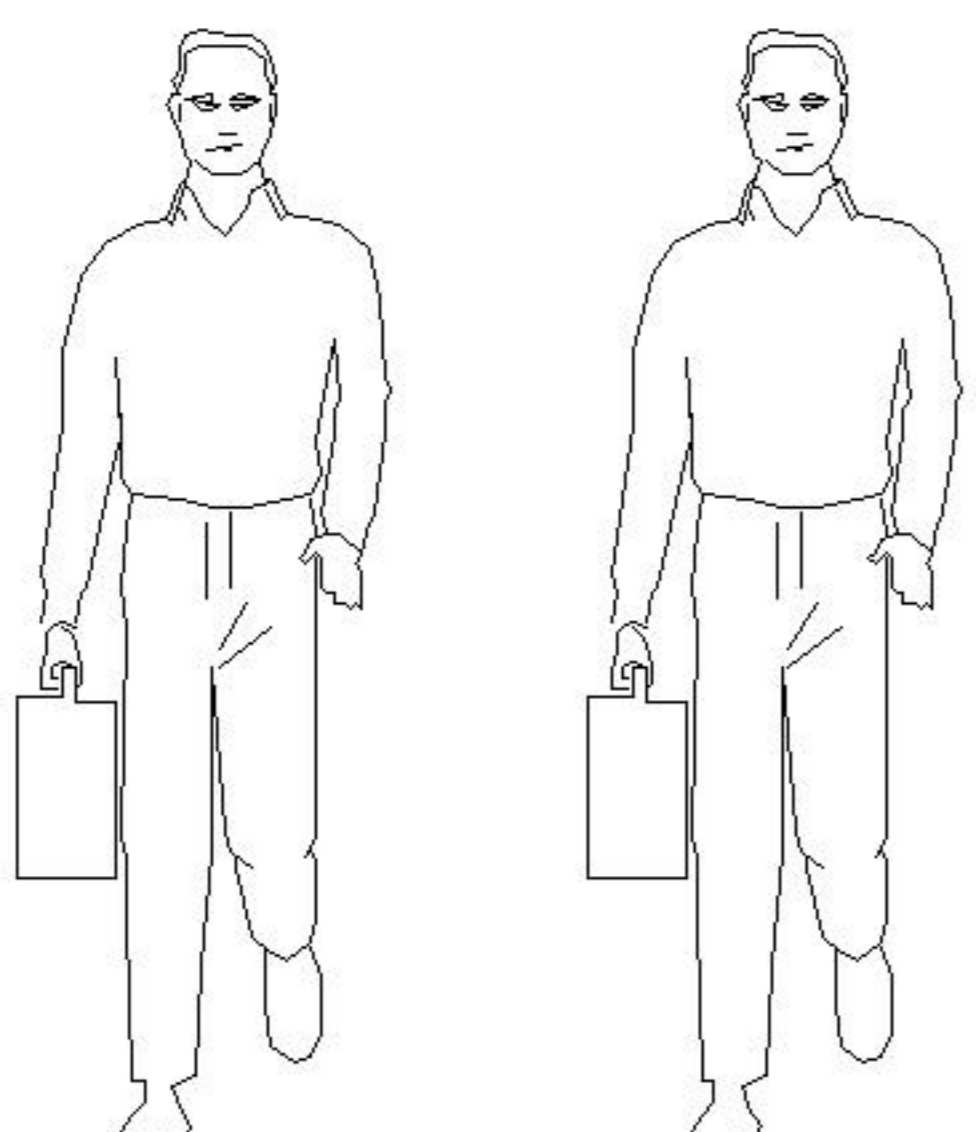
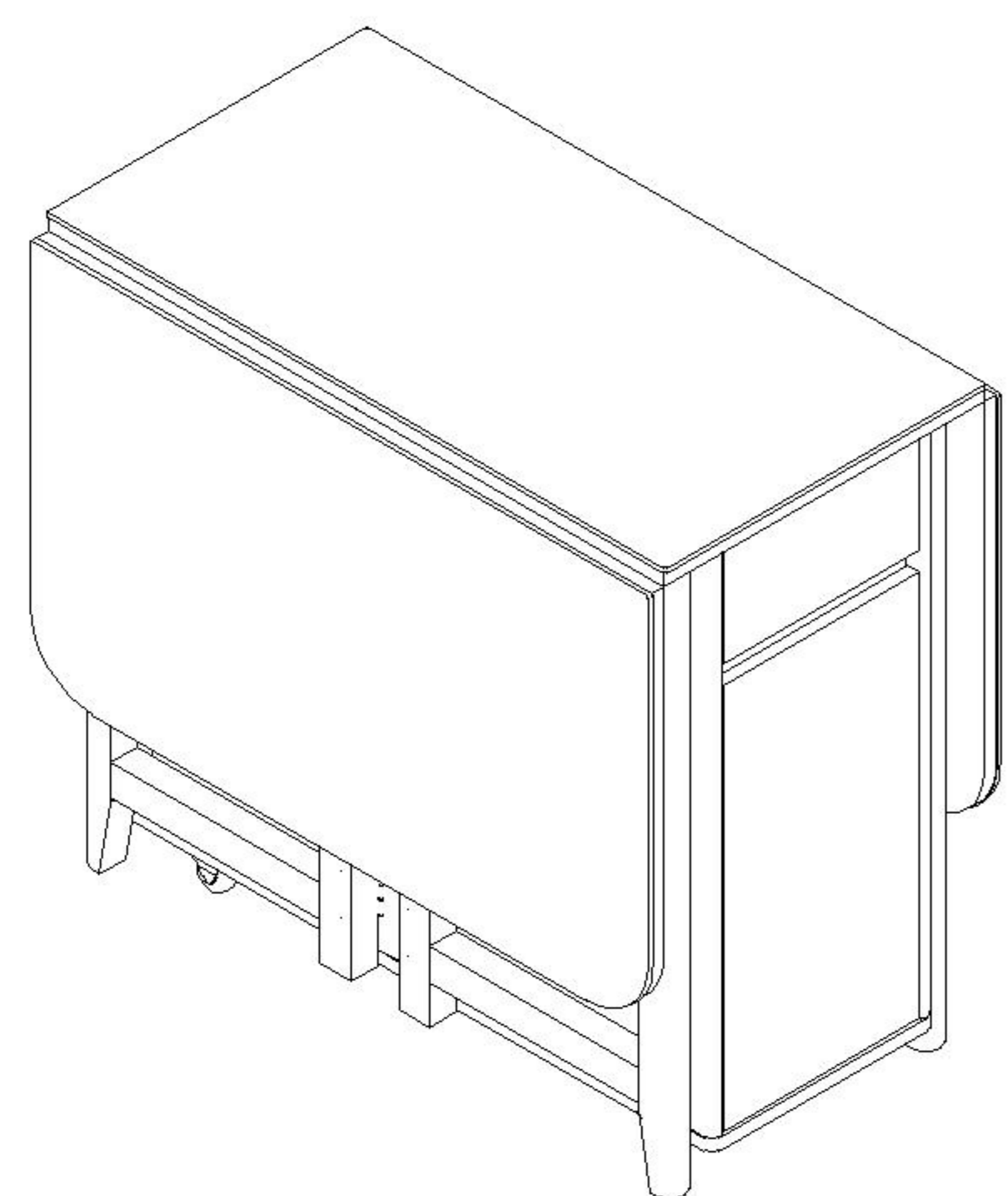
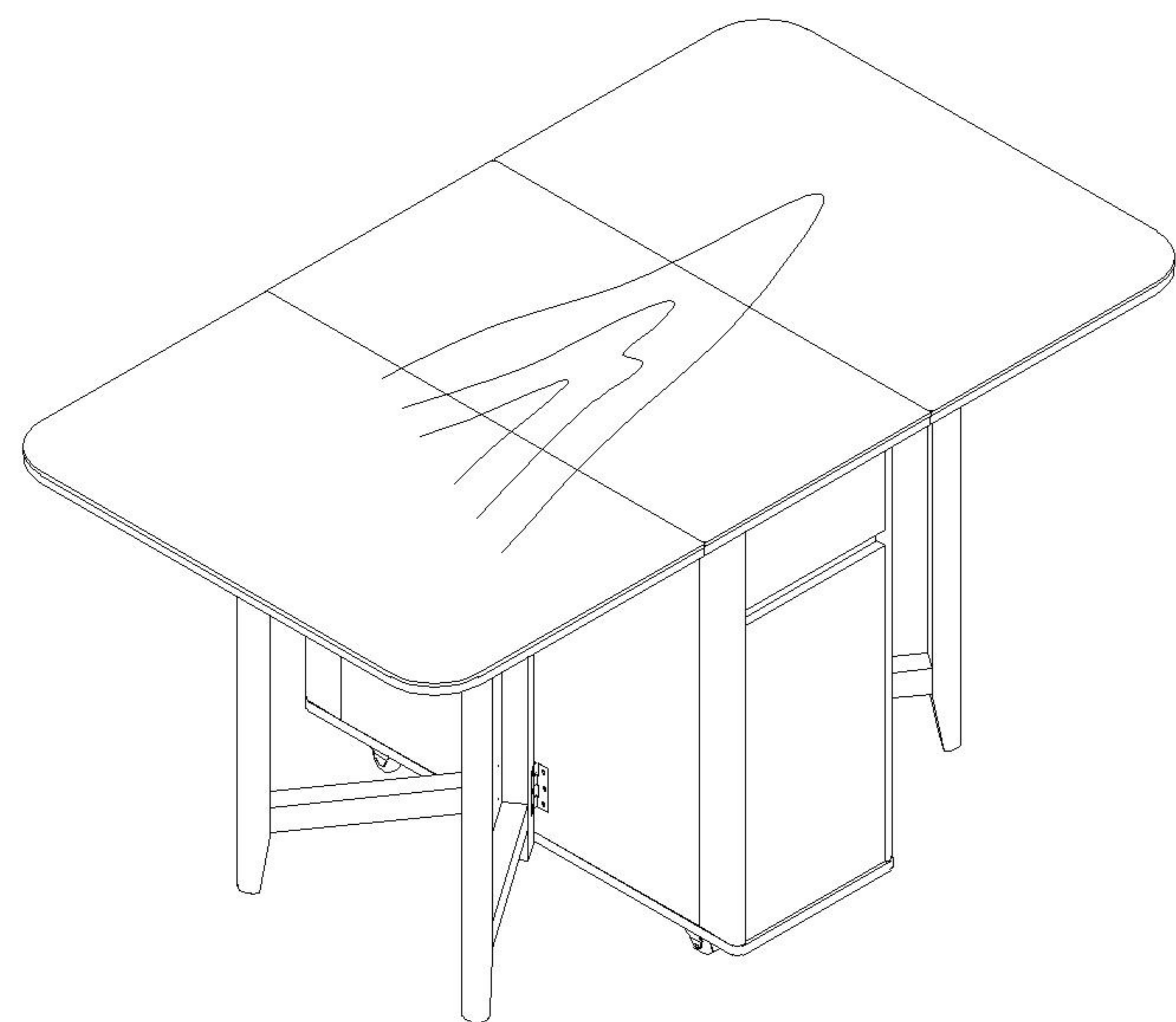


### 安装示意图/Assembly Instruction

产品名称 Model NO.	OU2R-A(岩板)
产品规格 Specification	1400*800*750mm
安装工具 Tool	安装人数 Installer
	



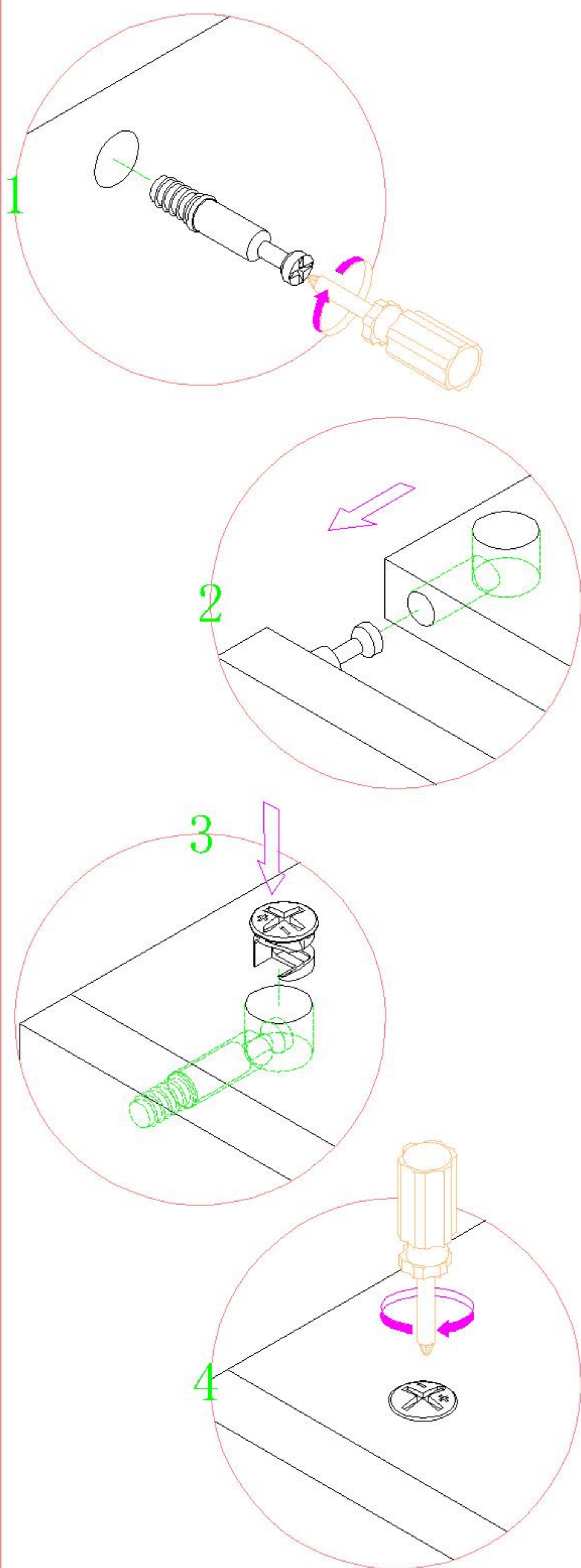
 (A)* 10 过山丝-M7x38mm Self-tapping screw galvanized	 (B)* 13 自攻螺丝M3.5x12mm Self-tapping screw	 (C)* 4 调节五金脚-M8x30 Adjusting foot	 (D)* 4 弹簧插销 Spring latch
 (E)* 2 缓冲门铰大弯-Ø35 Hinge-big bends	 (F)* 34 二合一螺杆 2-in-1-screw	 (G)* 34 大三合一锁饼 Three-in-one large lock	 (H)* 42 木榫Ø8x30mm wood tenon
 (I)* 4 塑料螺母 Plastic Nut	 (J)* 4 小二合一杆 small two-in-one rod	 (K)* 4 小三合一锁饼 small three-in-one lock	 (L)* 8 半圆合页 Semicircular hinge
 (M)* 8 合页 Hinge	 (N)* 4 自攻螺丝M4x40mm Self-tapping screw	 (O)* 1 内六角扳手4mm spanner-(4mm) hex	 (P)* 4 脚垫-灰色 Footrest - Grey
 (Q)* 4 透明防撞垫片 anti-collision gasket	 (R)* 122 自攻螺丝M3.5x14mm Self-tapping screw	 (S)* 2 万向轮 Universal wheel	 (T)* 4 活动层板托 Movable shelf support
 (U)* 2 反弹器 Buffer	 (V)* 17 自攻大扁M4*16mm Self tapping flat screw	 (W)* 1 三节滚珠导轨-10" three-section ball rail	 (X)* 2 定向轮 Directional wheel

编号NO.	名称Name	规格 (mm) Specification	数量 QTY	材质Material
①	边面板 Side panel	493*800*21	2	三胺板+岩板 Melamine+Sintered Stone
②	面板 Top panel	414*800*21	1	三胺板+岩板 Melamine+Sintered Stone
③	装饰板1 Decoration board 1	654*70*15	1	实木Wood
④	装饰板2 Decoration board 2	654*70*15	1	实木Wood
⑤	装饰板3 Decoration board 3	654*70*15	1	实木Wood
⑥	装饰板4 Decoration board 4	654*70*15	1	实木Wood
⑦	侧板 Side board	654*654*15	2	三胺板Melamine
⑧	拉条 Brace	258*58*15	1	三胺板Melamine
⑨	背板 Back board	654*258*15	1	三胺板Melamine
⑩	底板 Bottom board	796*290*15	1	三胺板Melamine
⑪	左脚框 Foot frame(L)	711*350*35	2	实木Wood
⑫	门板 Door board	499*254*15	1	三胺板Melamine
⑬	抽屉面板 Drawer's top panel	254*126*15	1	三胺板Melamine
⑭	抽屉右侧板 Drawer's side board(R)	295*78*12	1	三胺板Melamine
⑮	抽屉左侧板 Drawer's side board(L)	295*78*12	1	三胺板Melamine
⑯	抽屉后板 Drawer's Back board	208*78*12	1	三胺板Melamine
⑰	抽屉底板 Drawer's Bottom board	218*291*5	1	三胺板Melamine
⑱	右脚框 Foot frame(R)	711*350*35	2	实木Wood

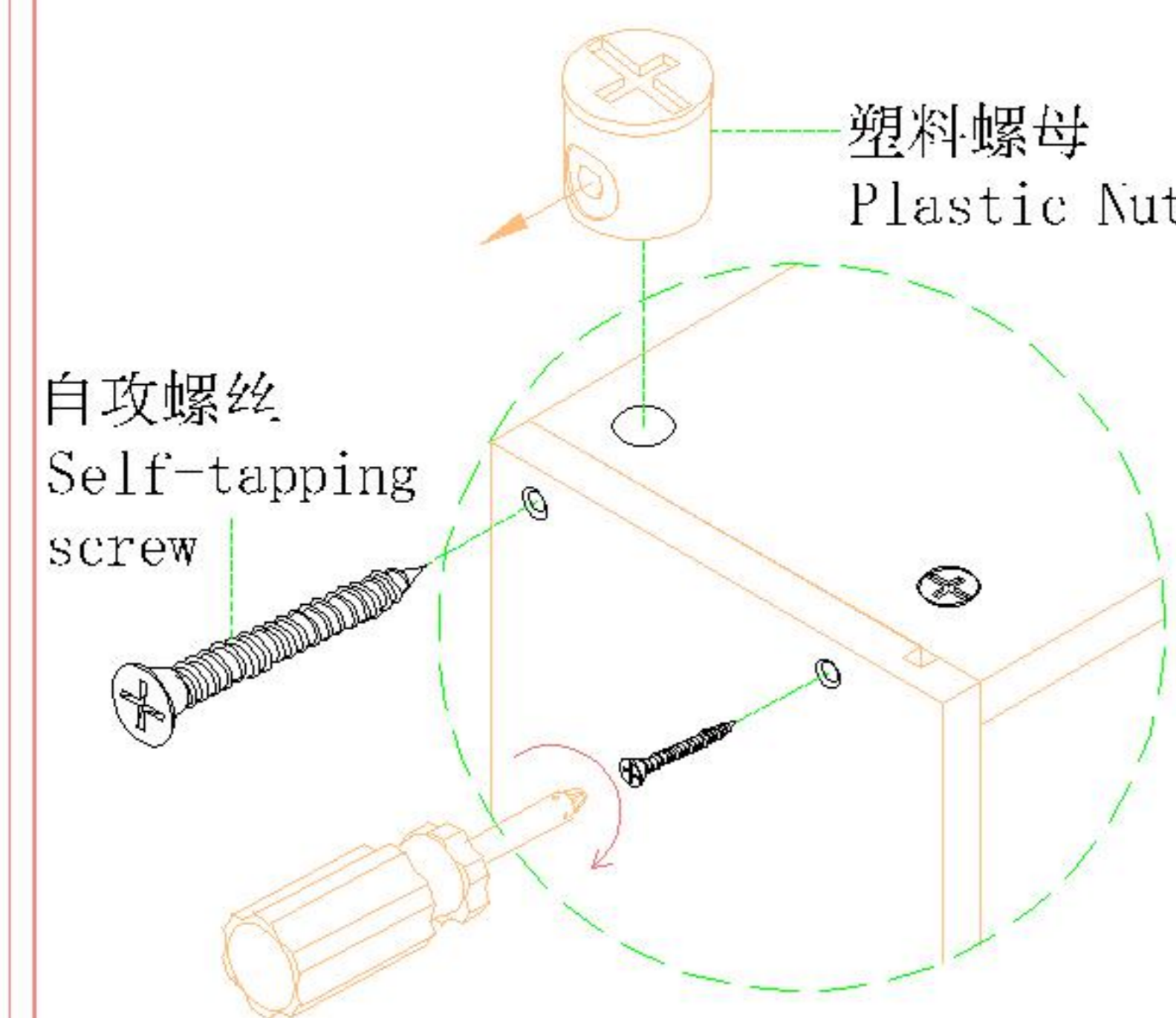


OU2R-A(岩板)

安装方法/  
Installation method

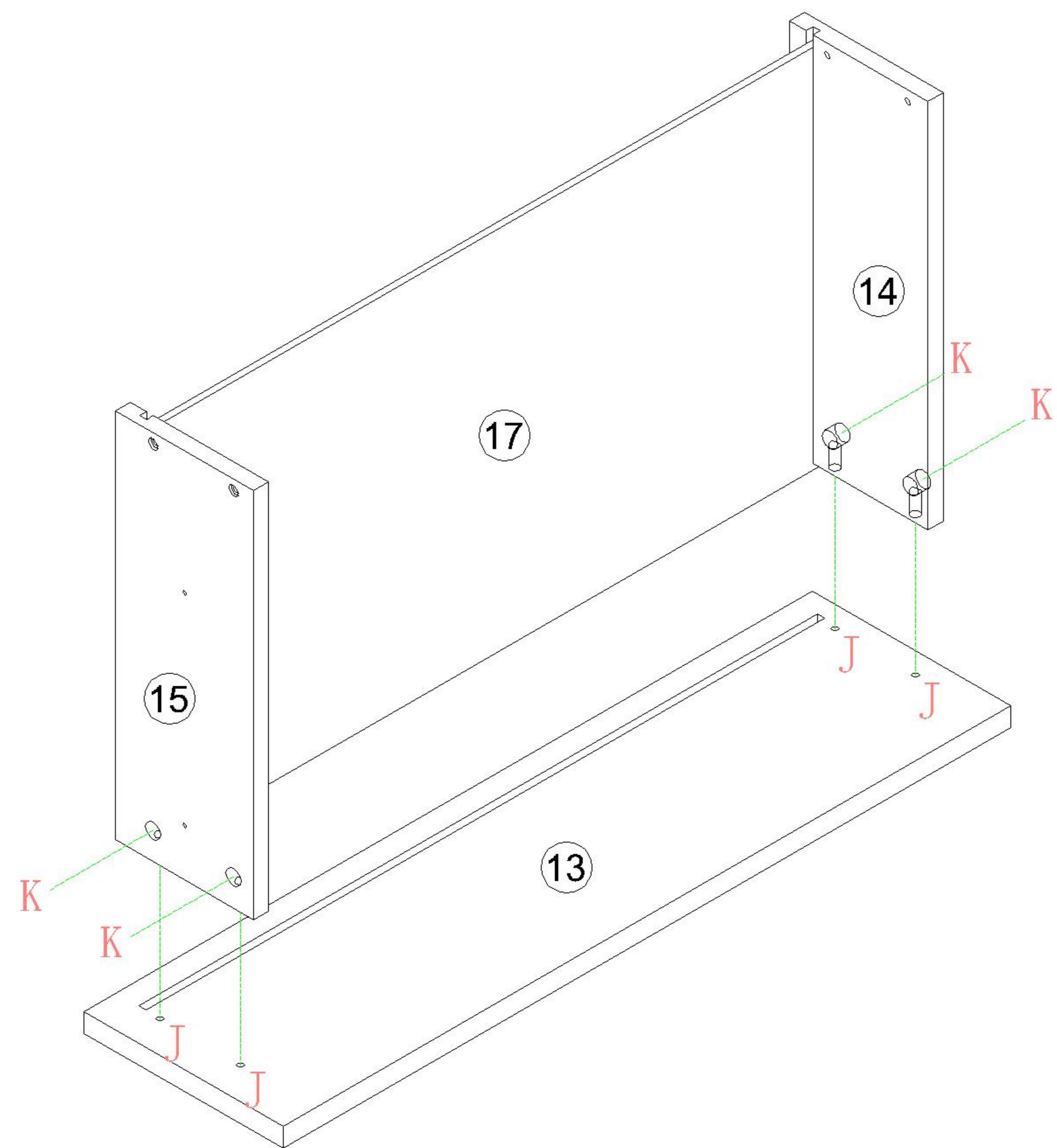


小二合一  
small two-in-one



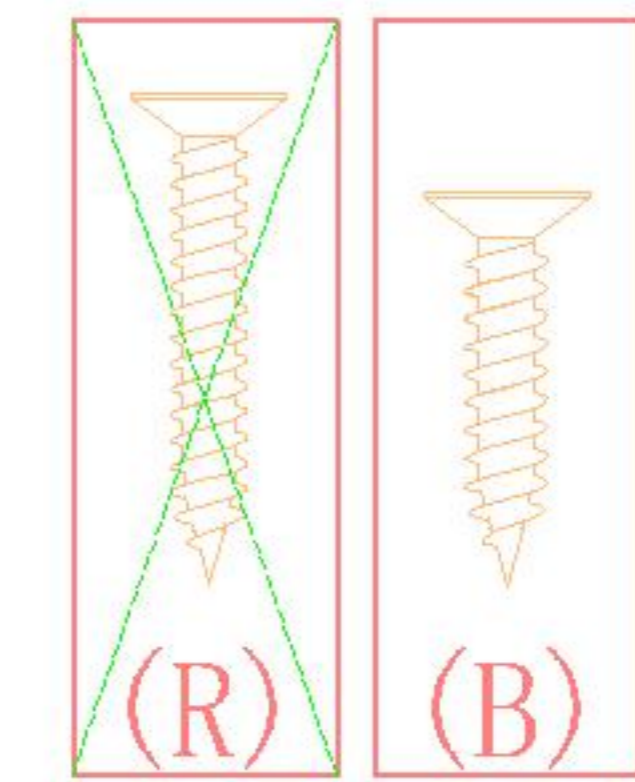
塑料螺母  
Plastic Nut

- (J)\*4
- (K)\*4

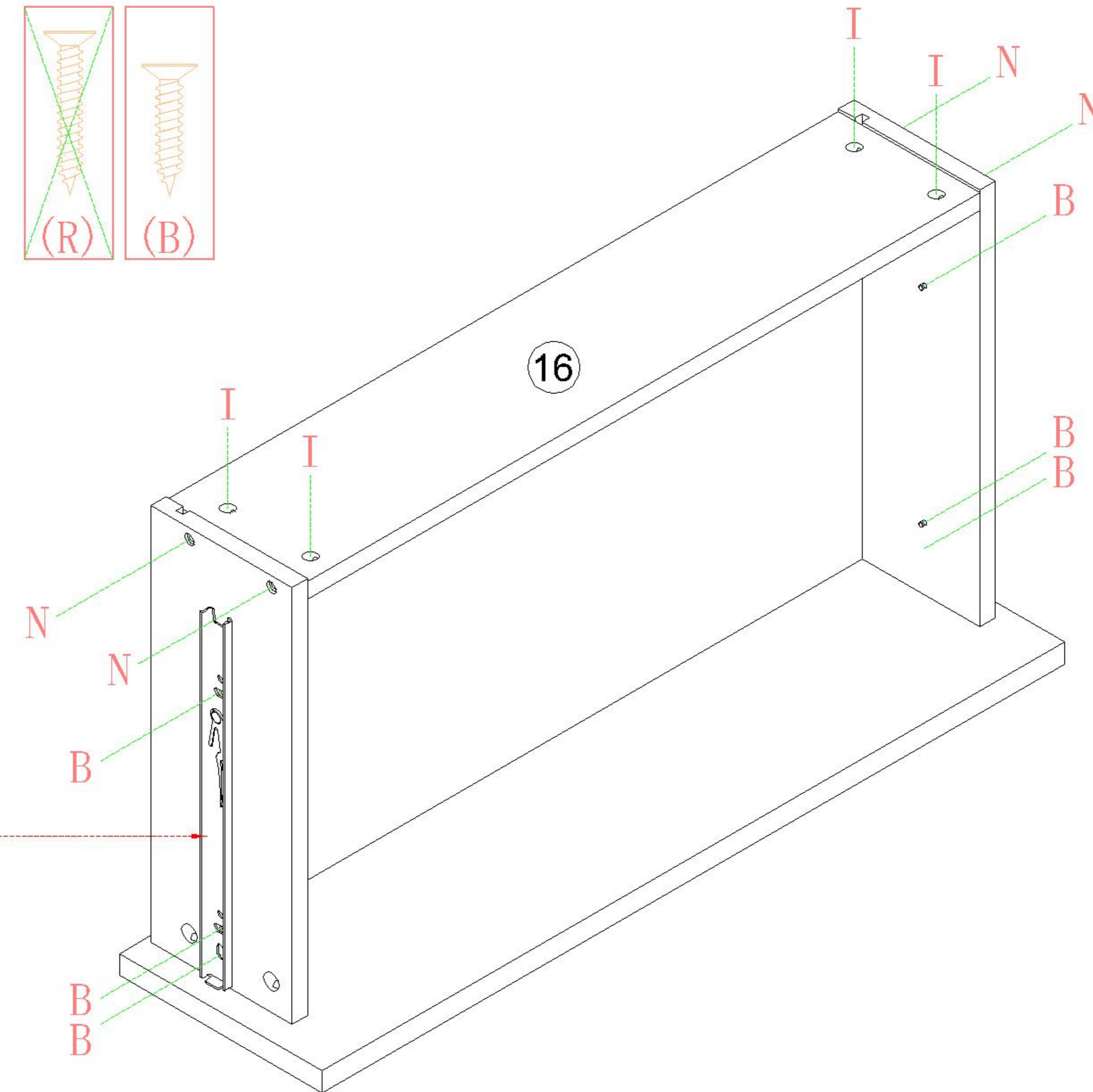


1

- (I)\*4
- (B)\*6
- (N)\*4
- (W)\*1

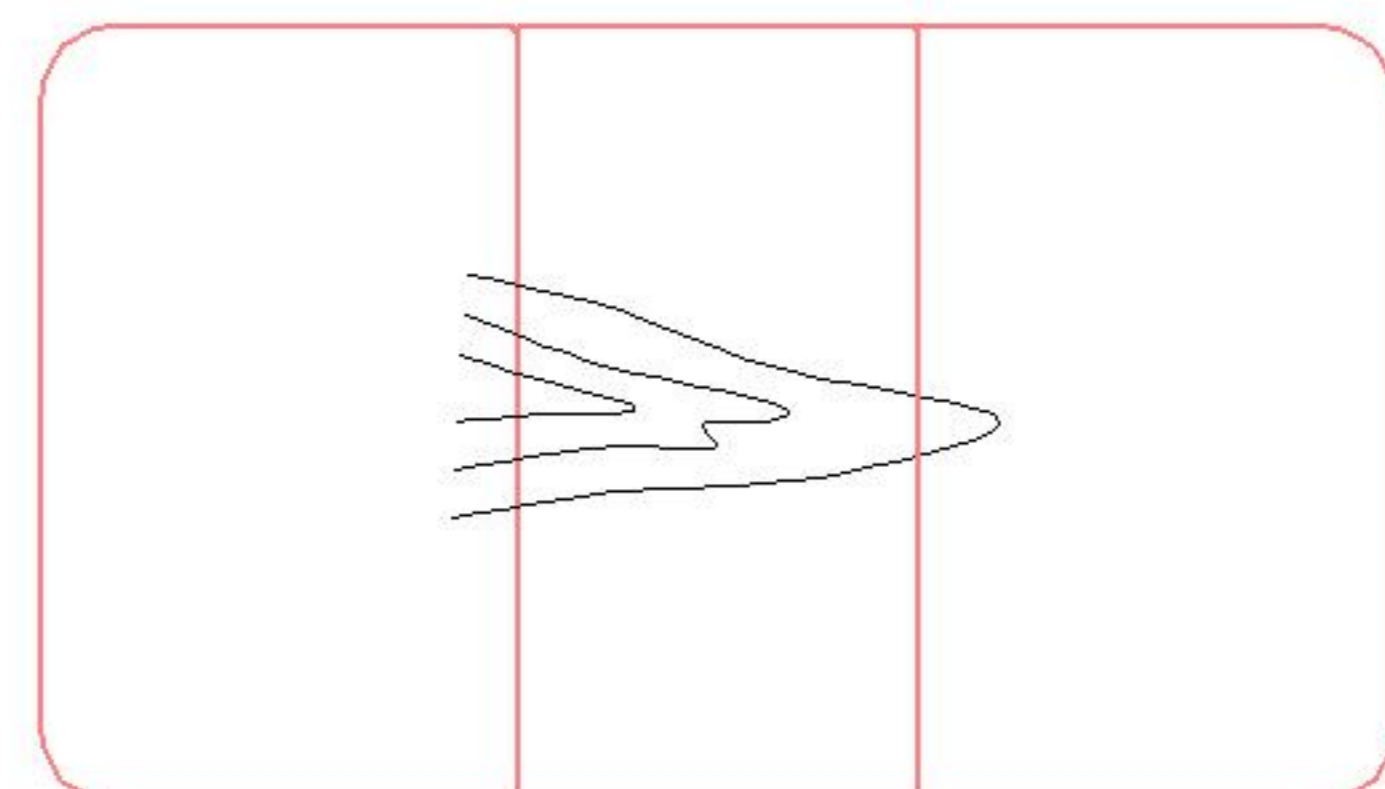


(W) 副轨  
Sub rail



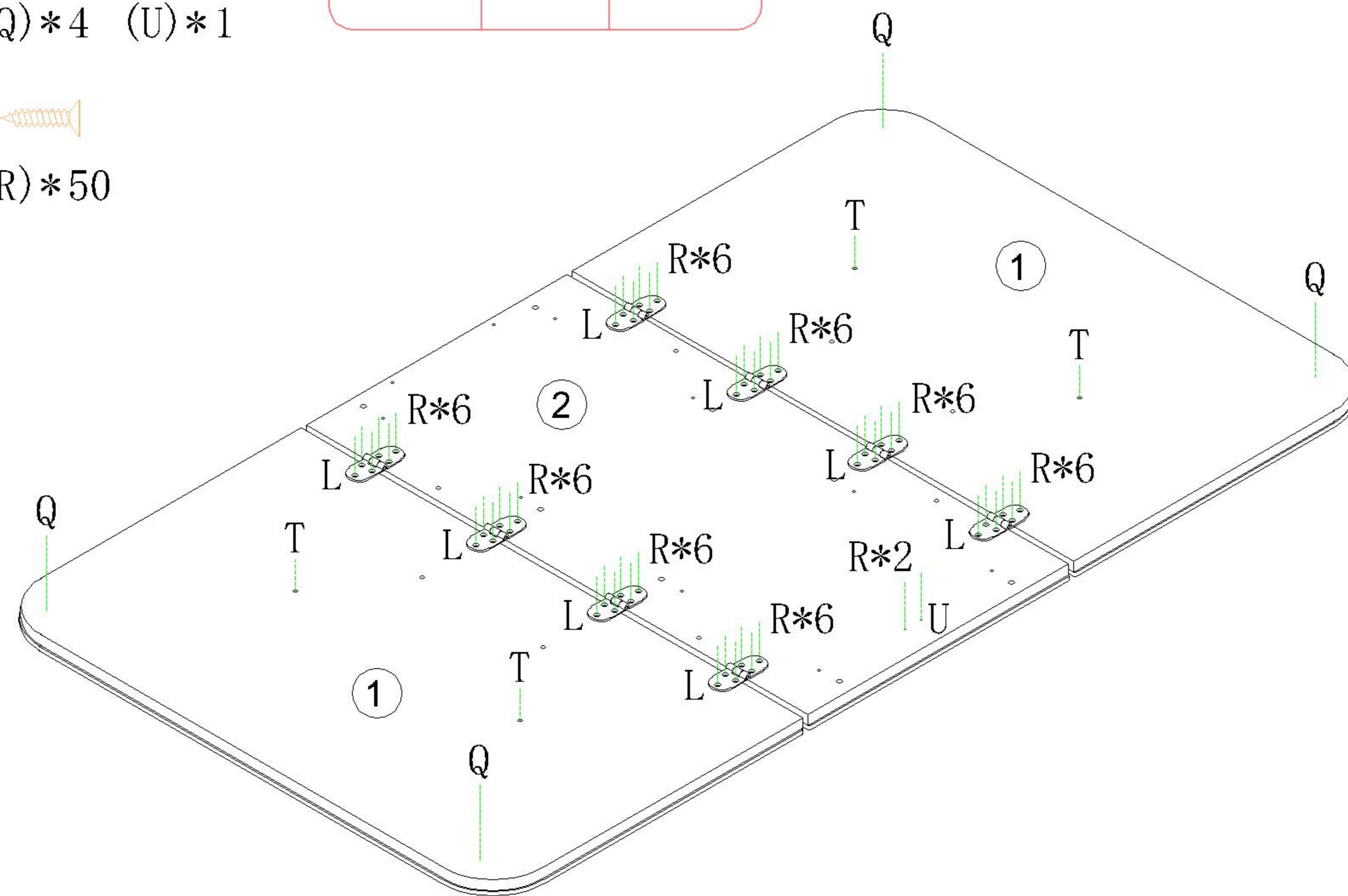
2

- (L)\*8 (T)\*4
- (Q)\*4 (U)\*1
- (R)\*50

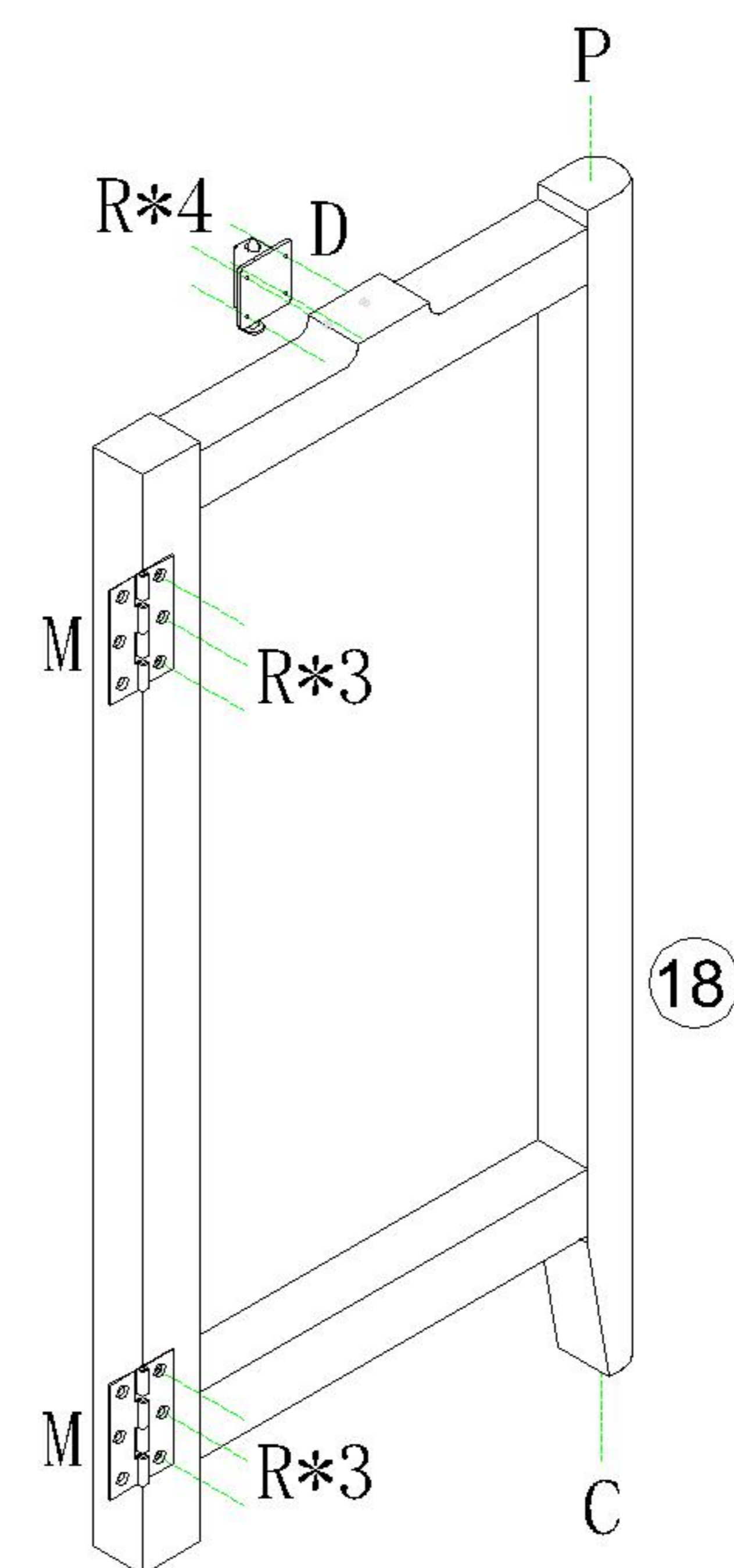


配套花色安装  
Matching decor installation

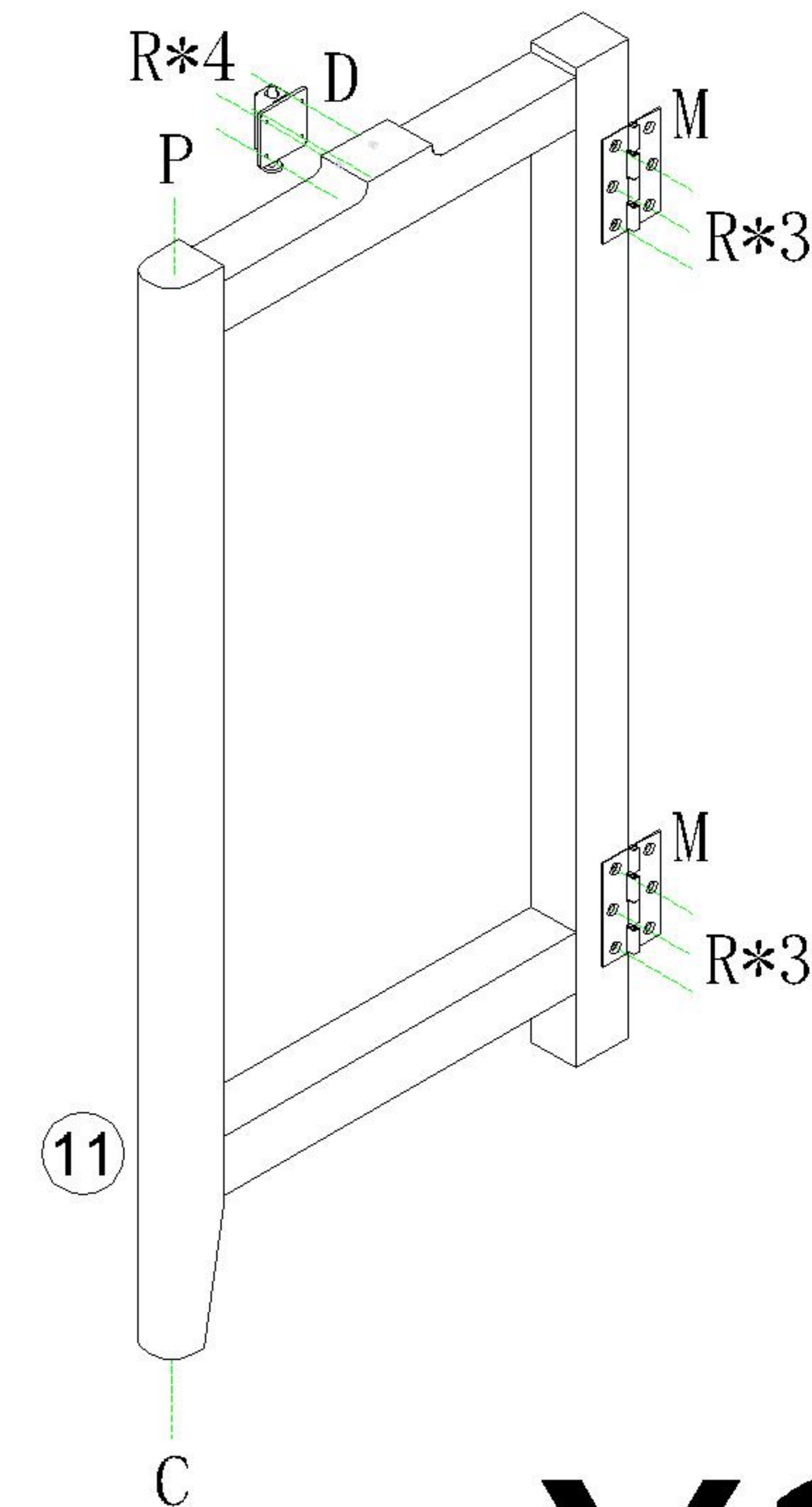
3



- (C)\*4
- (D)\*4
- (M)\*8
- (P)\*4
- (R)\*40



4

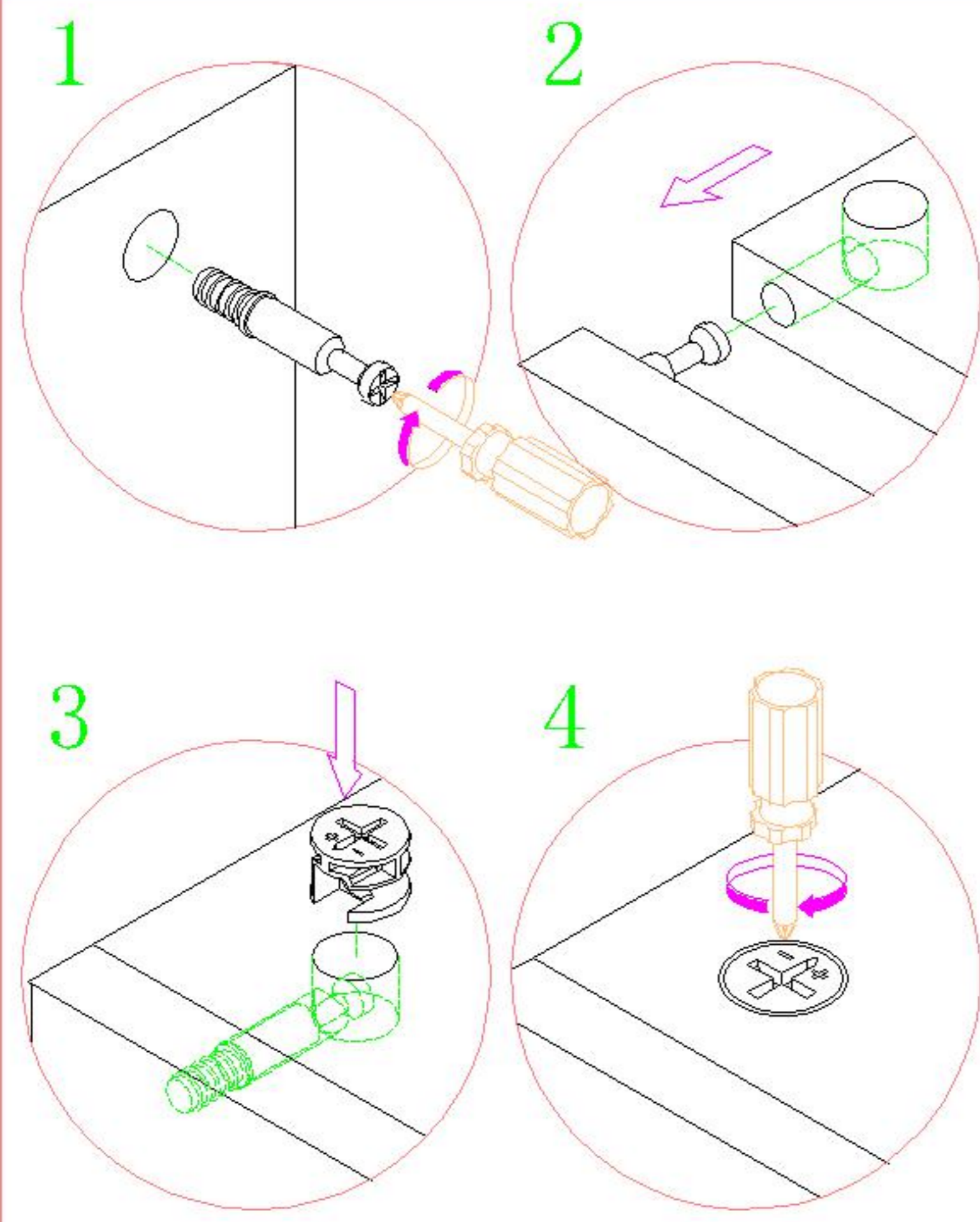


X2



OU2R-A(岩板)

安装方法/  
Installation method

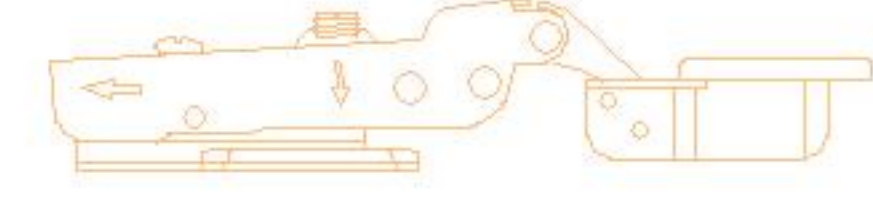


大二合一  
two-in-one

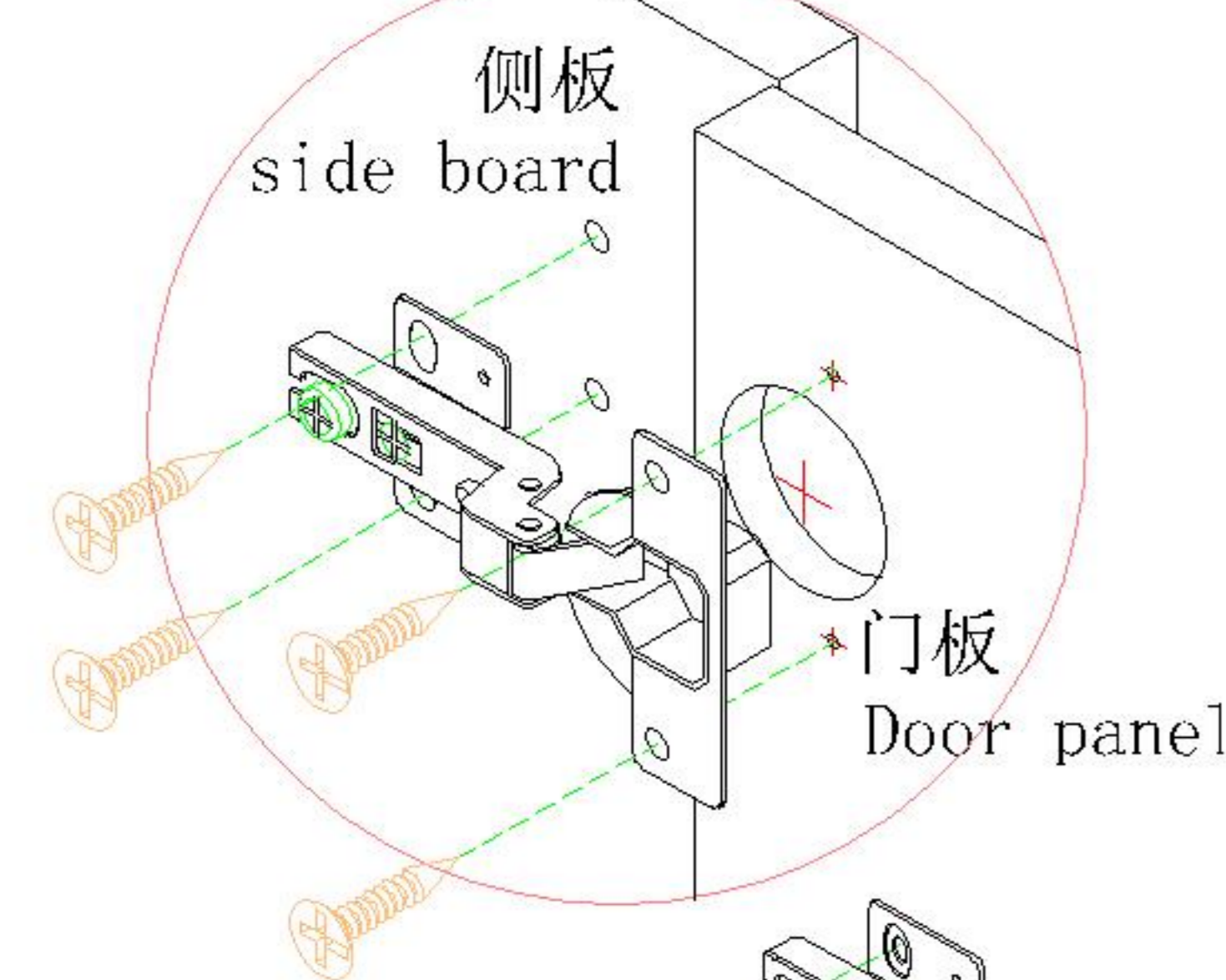
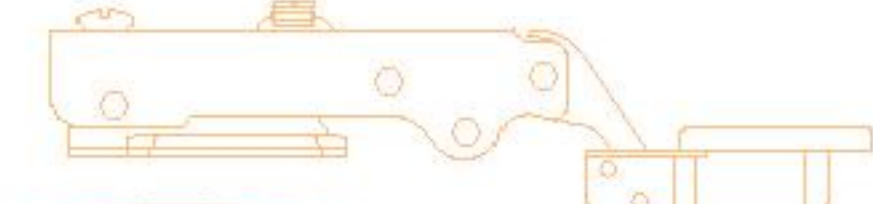
大弯big bend



中弯middle bending



直弯straight bending



调节上下  
Adjust up and down

调节左右  
Adjust left and right

调节前后  
Before and after adjustment

门铰  
Hinge

(F)\*12



(G)\*12



(H)\*16



(F)\*10



(G)\*10



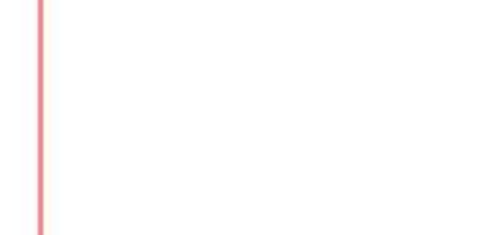
(H)\*8



(A)\*8



(H)\*8



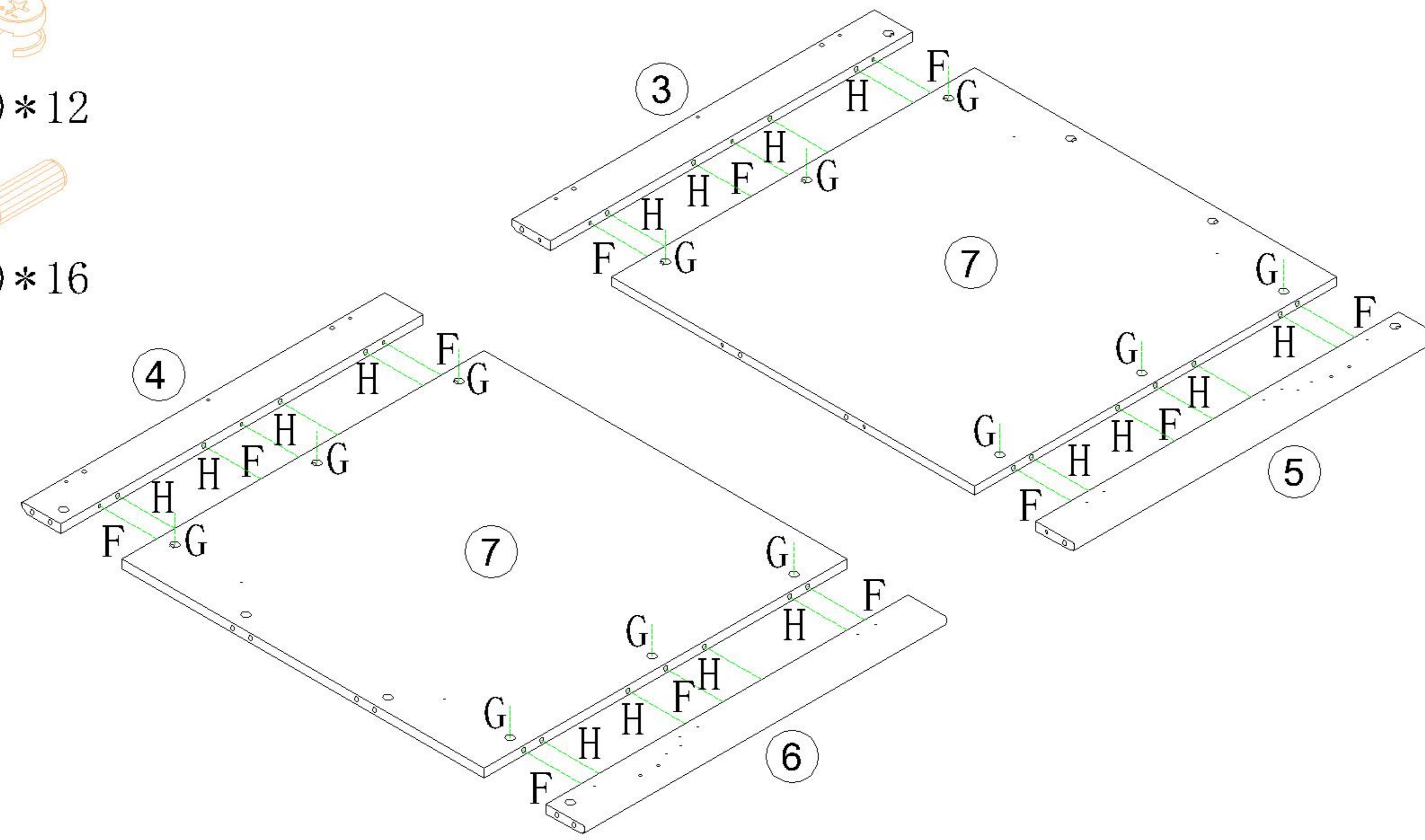
(V)\*16



(X)\*2



(S)\*2



5

(F)\*10



(G)\*10



(H)\*8



7

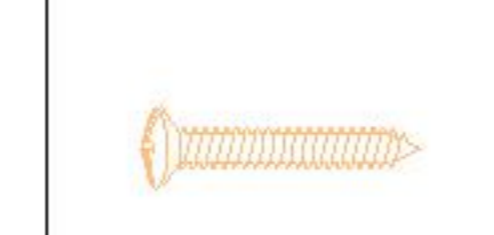
(A)\*8



(H)\*8



(O)\*1



(V)\*16



(X)\*2



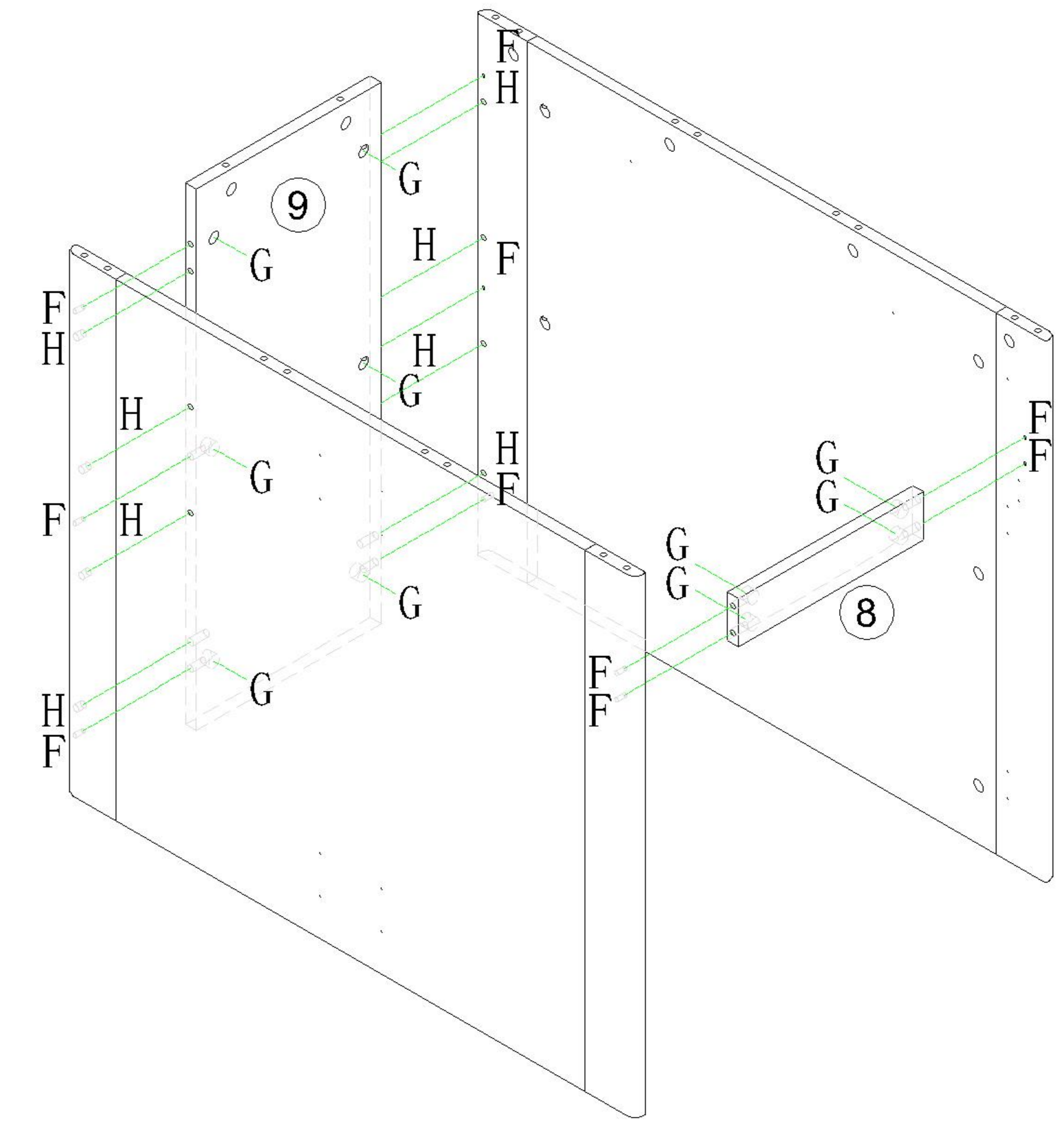
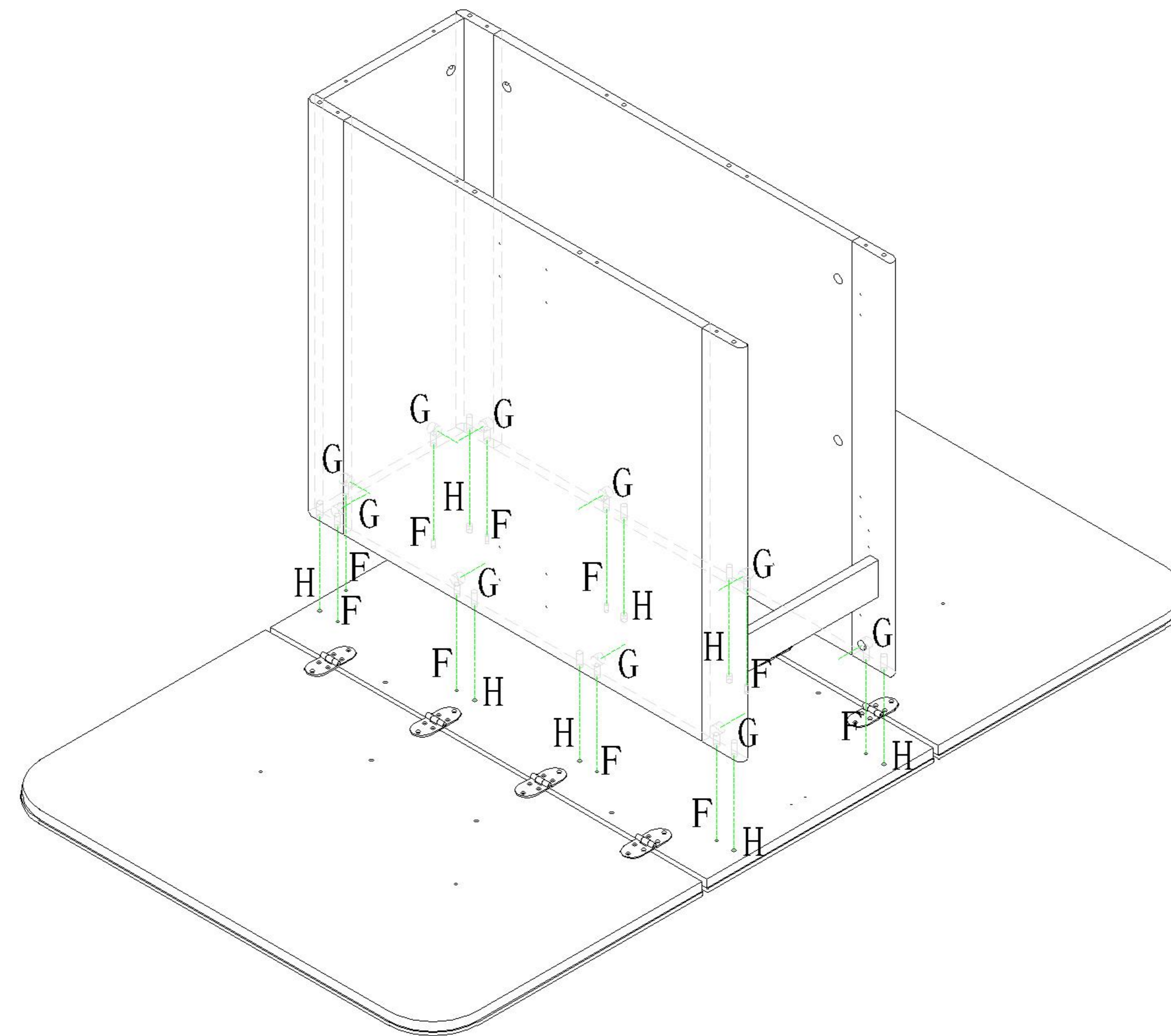
(S)\*2



(S)\*2

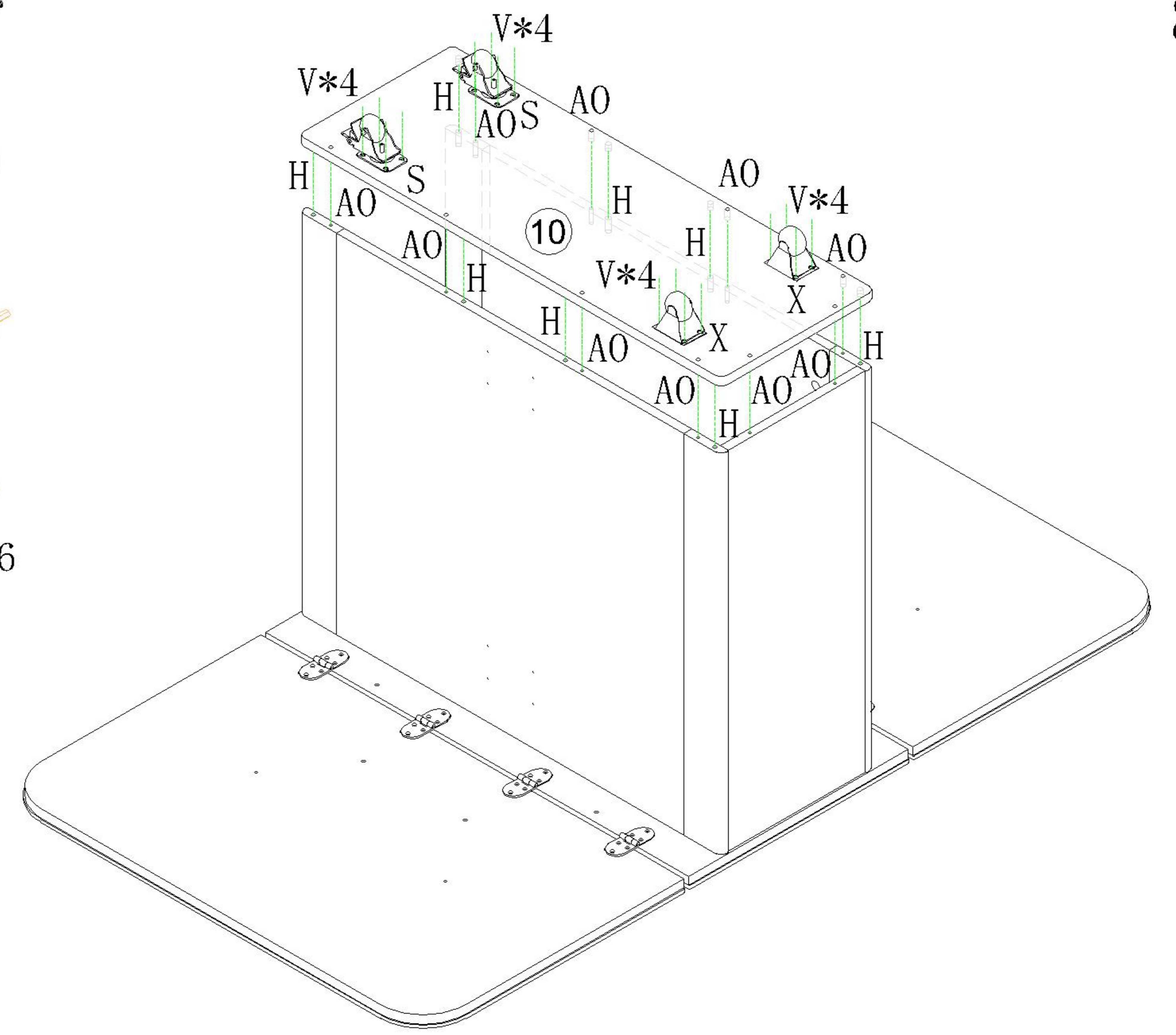


(S)\*2



6

8



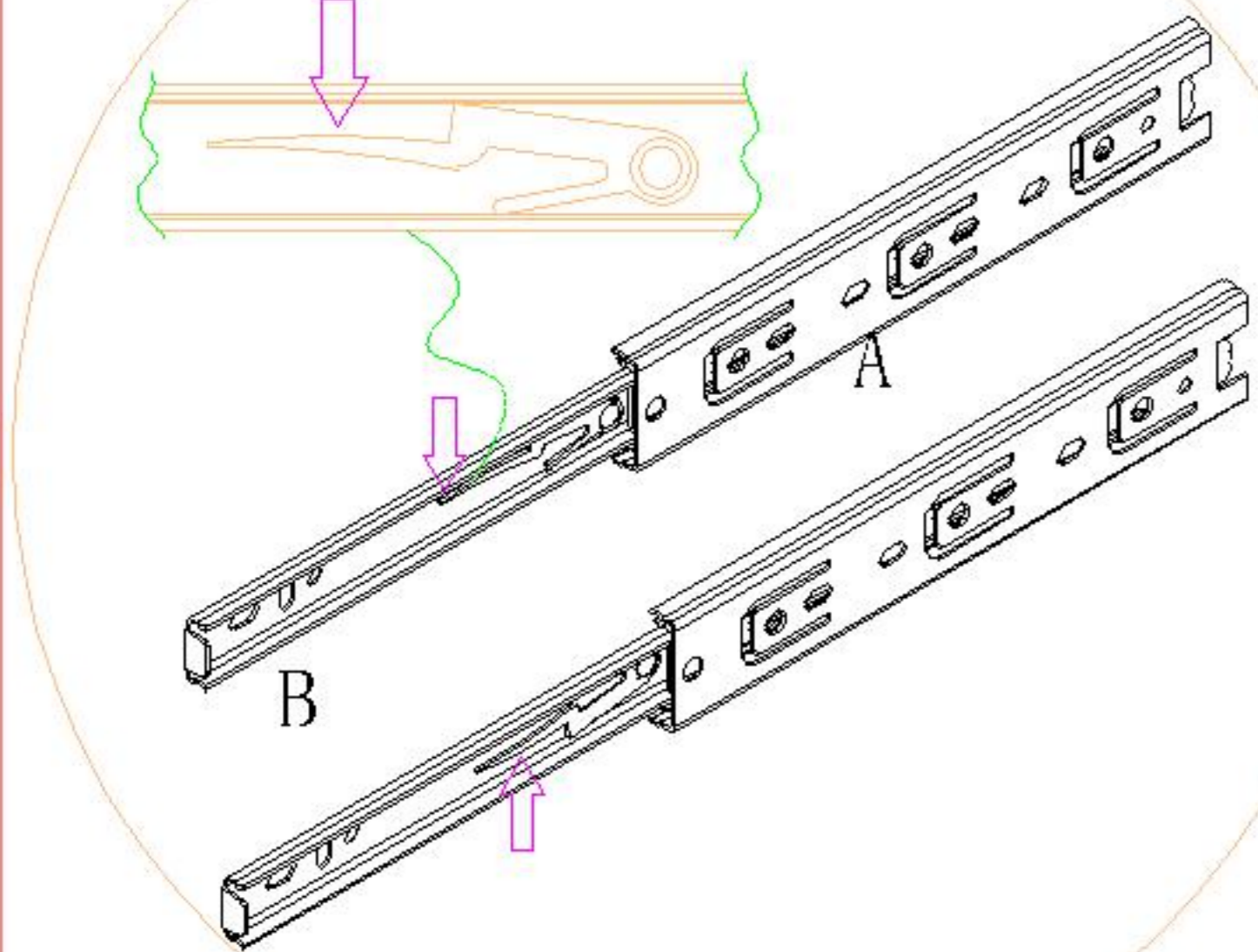


OU2R-A(岩板)

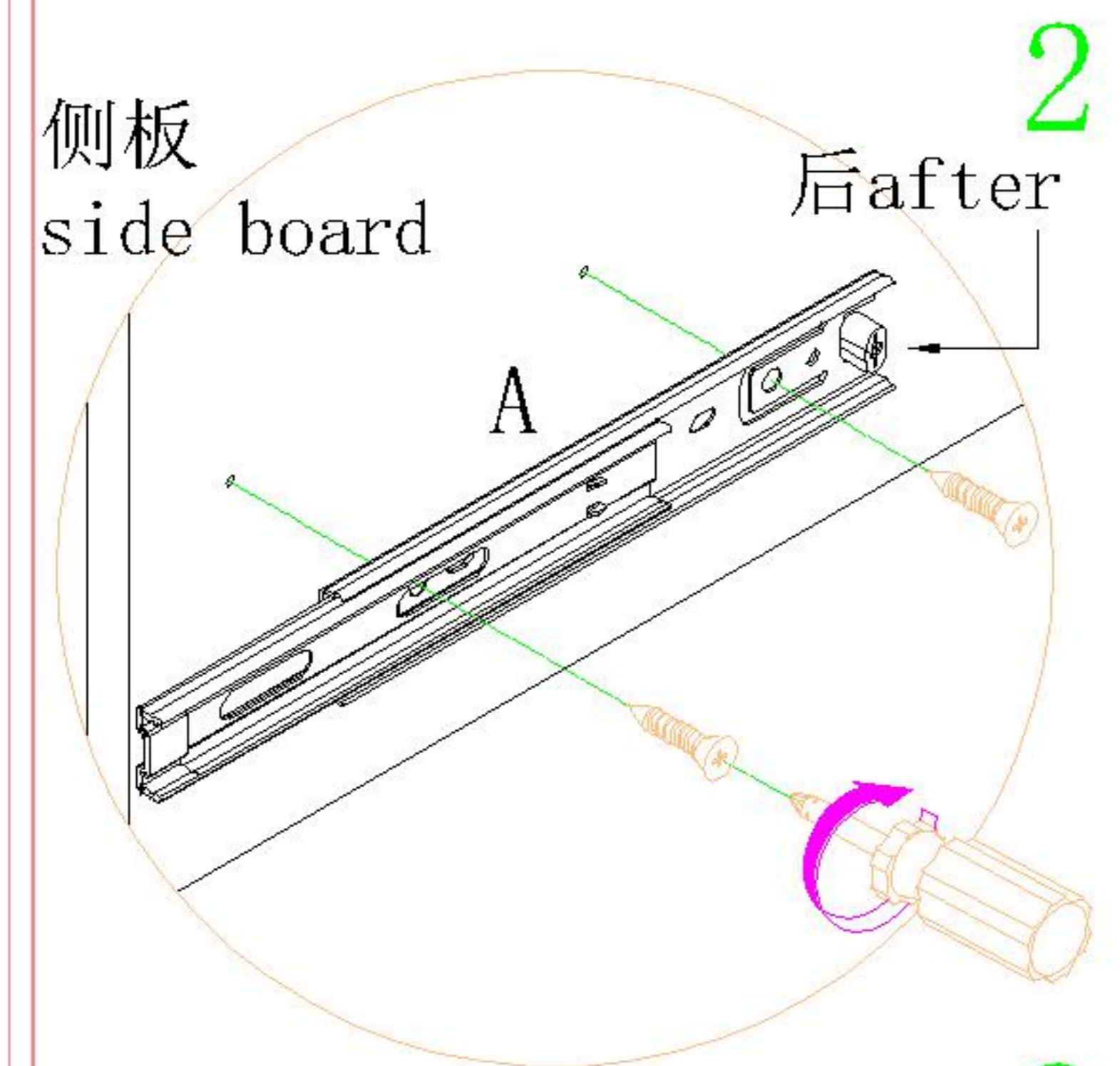
安装方法/  
Installation method

阀门开关(下压为开)  
Valve switch  
(press down to open)

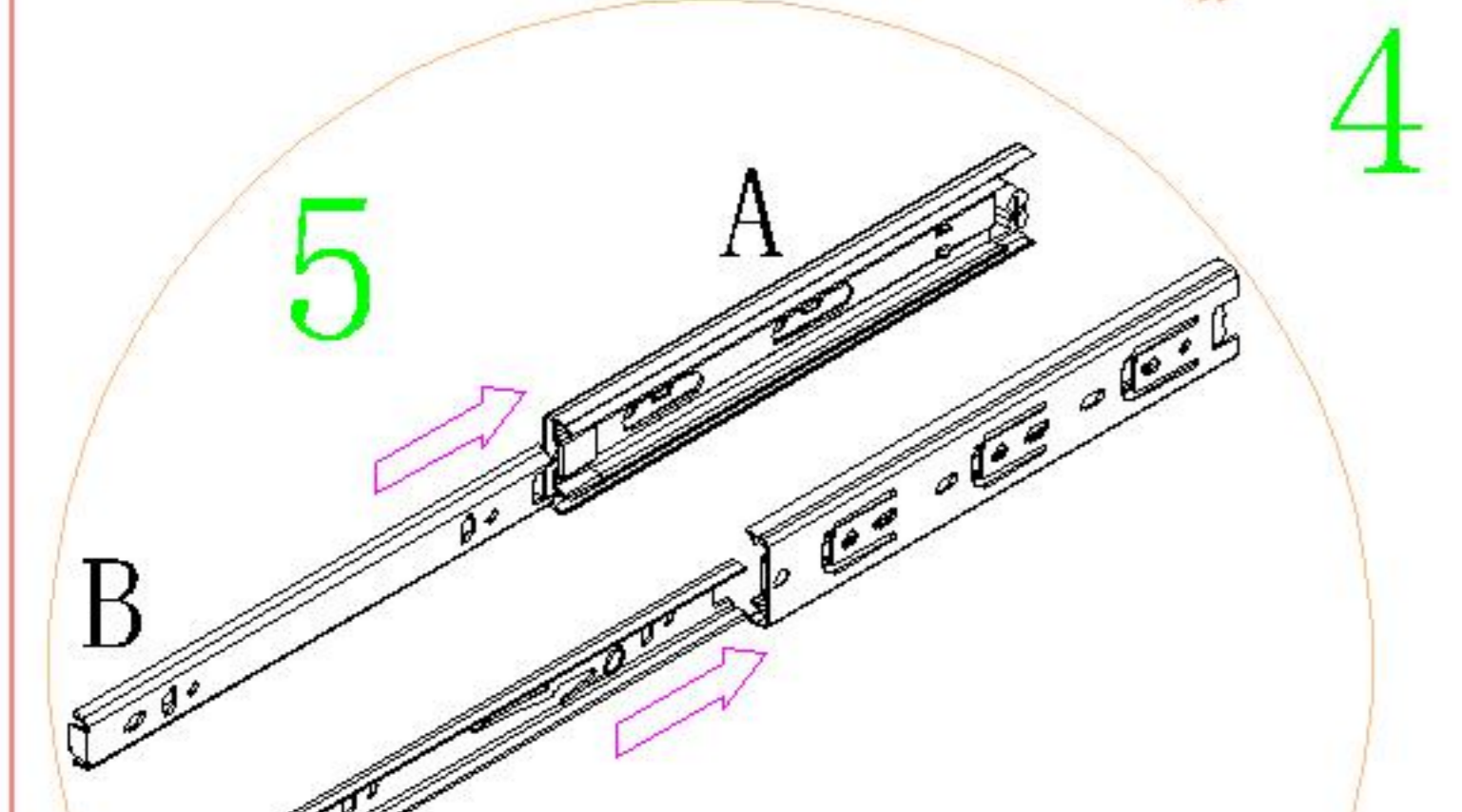
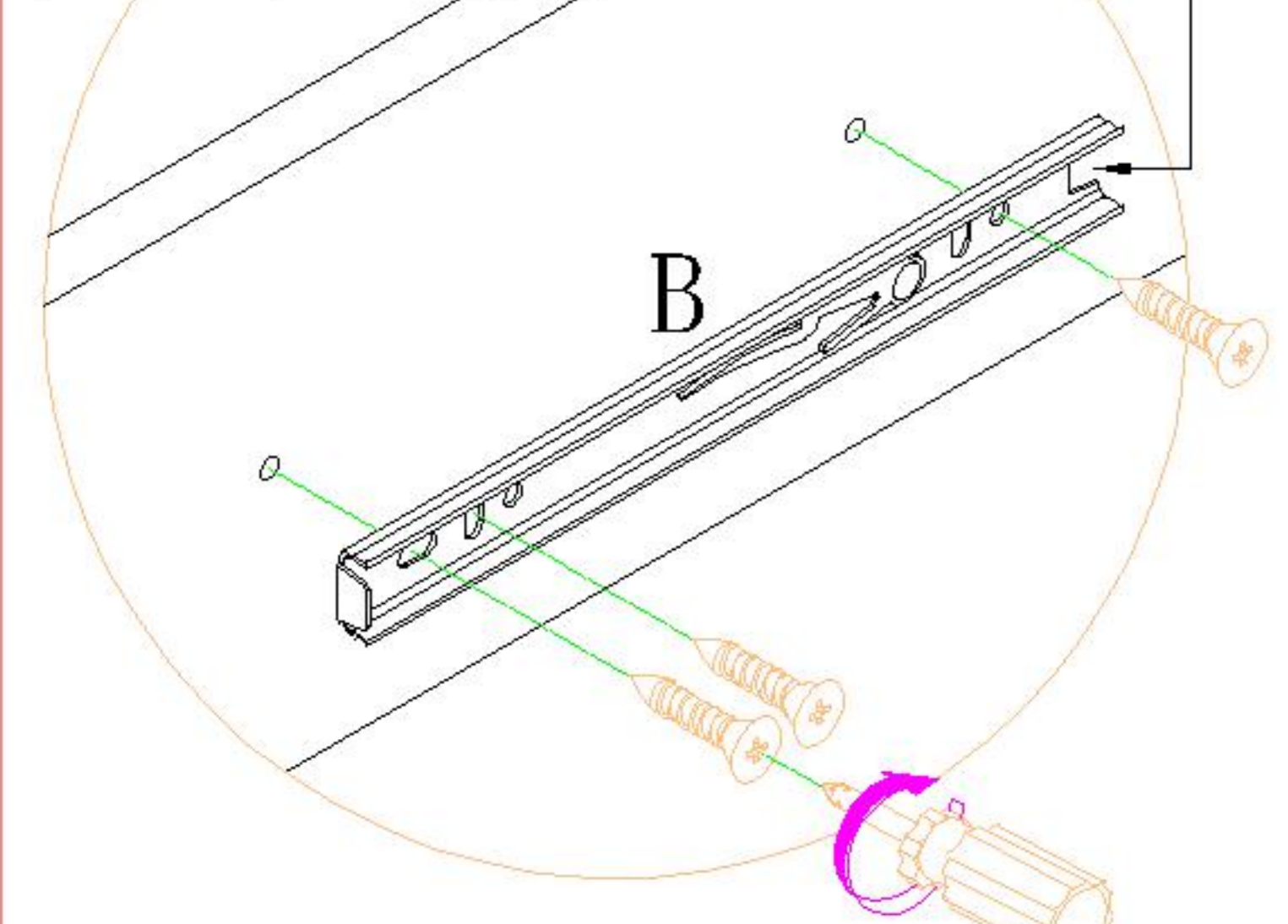
1



注: 先将A与B拆下来  
Note: remove a and B first

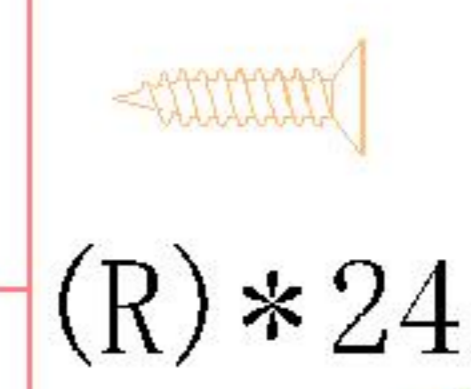


抽屉侧板  
sideboard  
of the drawer

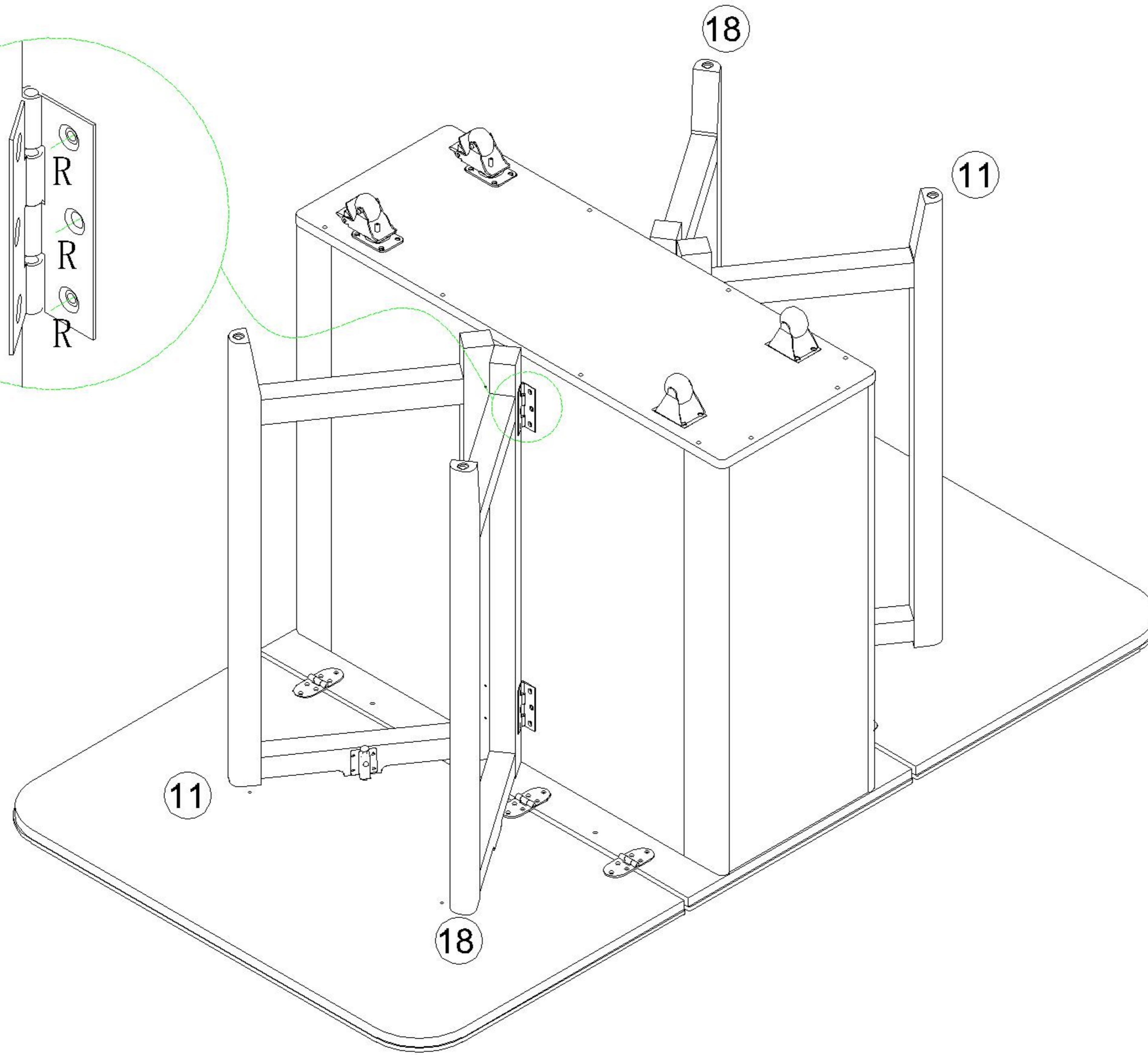
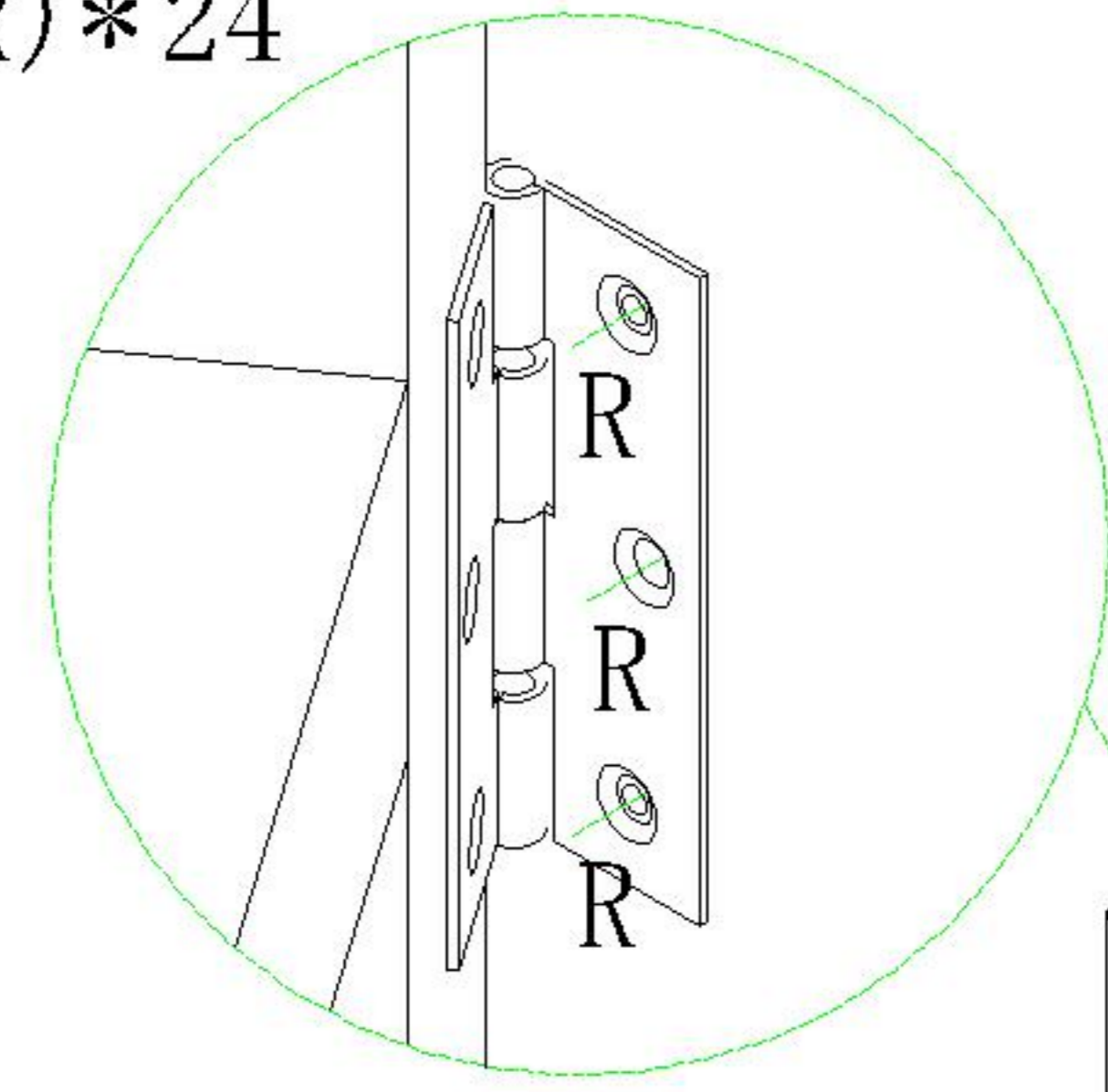


注: 将B对准A后推进去  
Note: align B with a  
and push it in

三节滚珠导轨  
three-section ball rail



(R)\*24

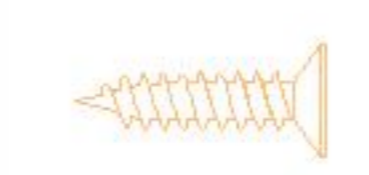


9

(B)\*6



(E)\*2



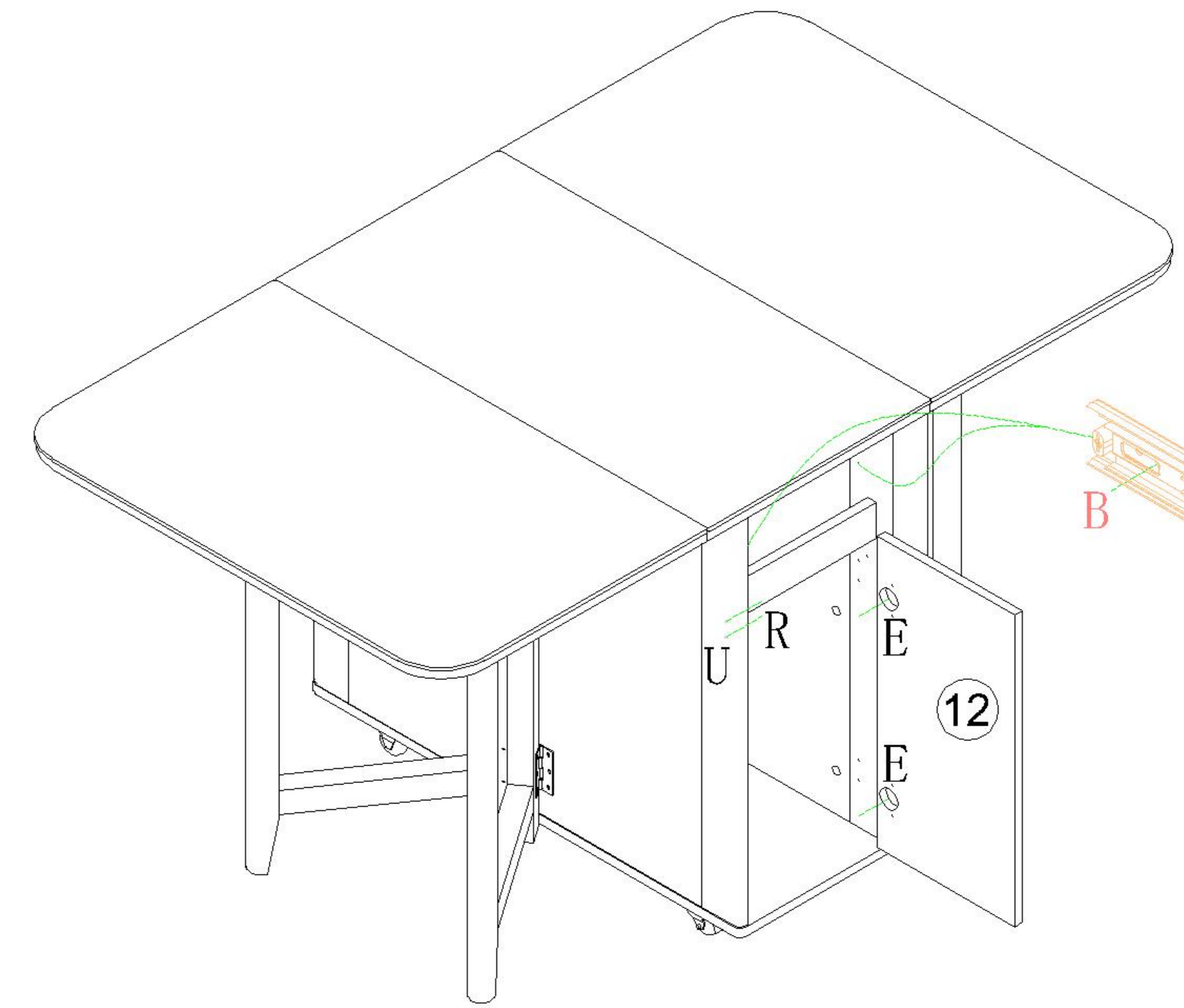
(R)\*2



(U)\*1

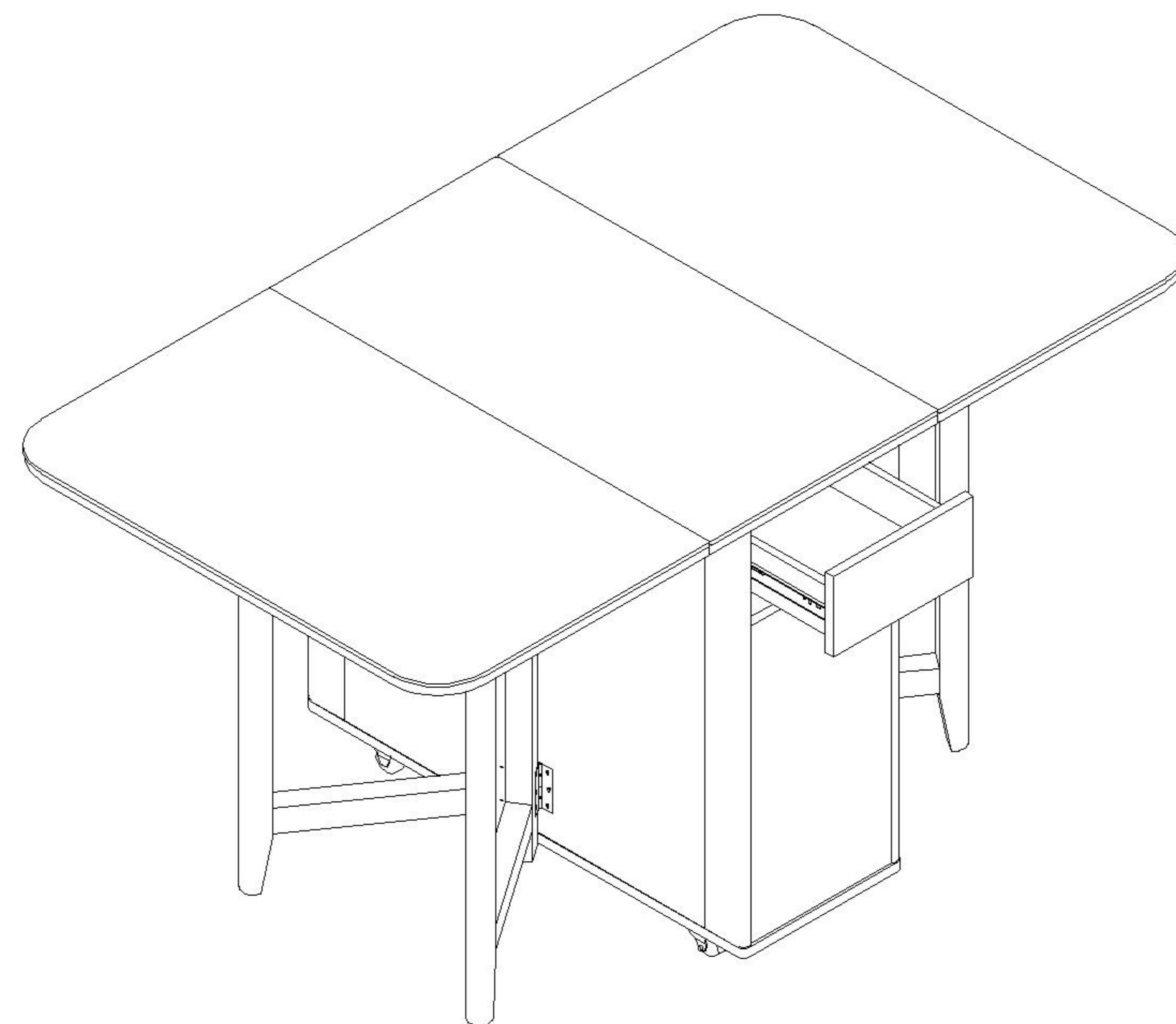


(W)\*1

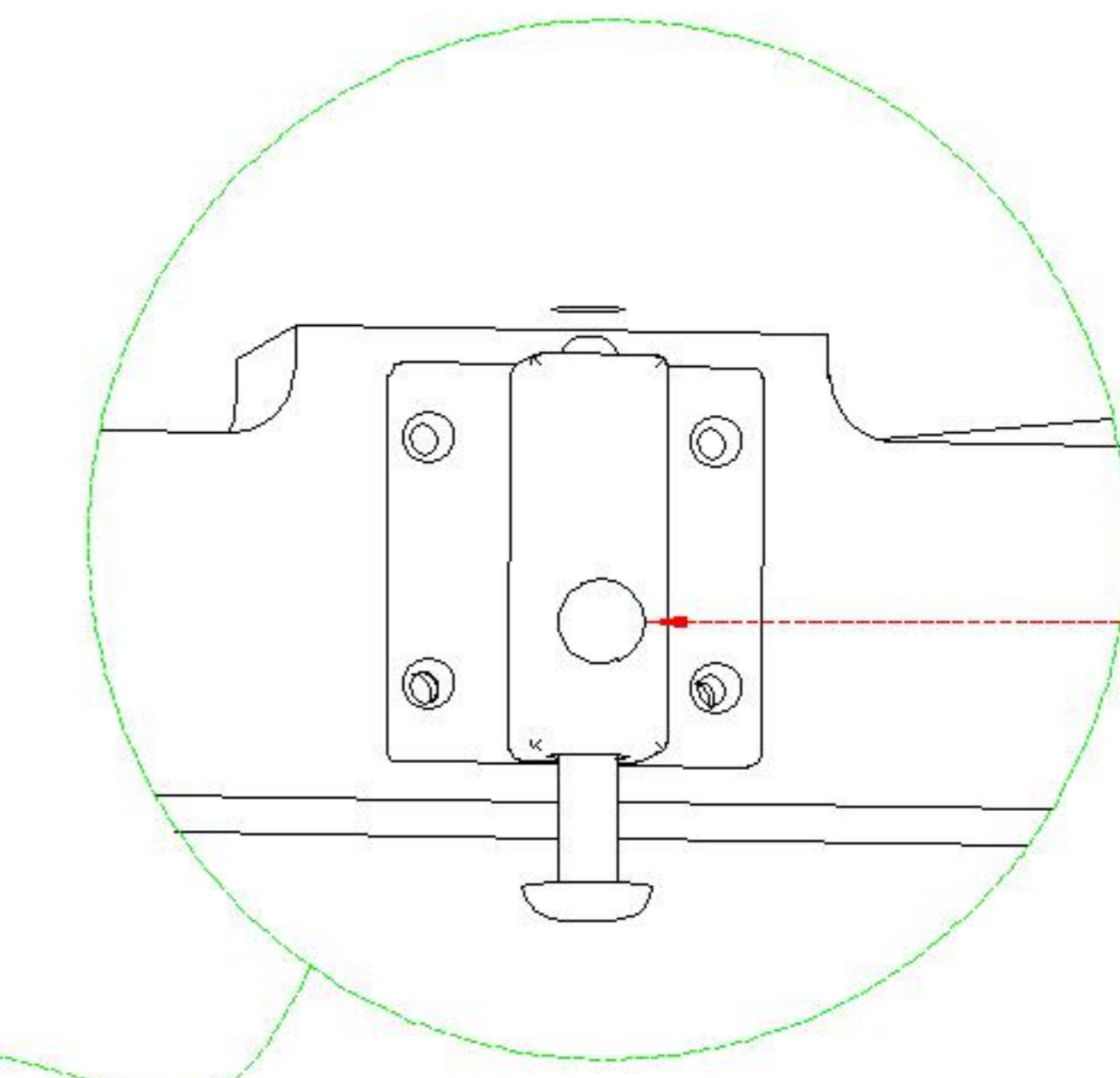


10

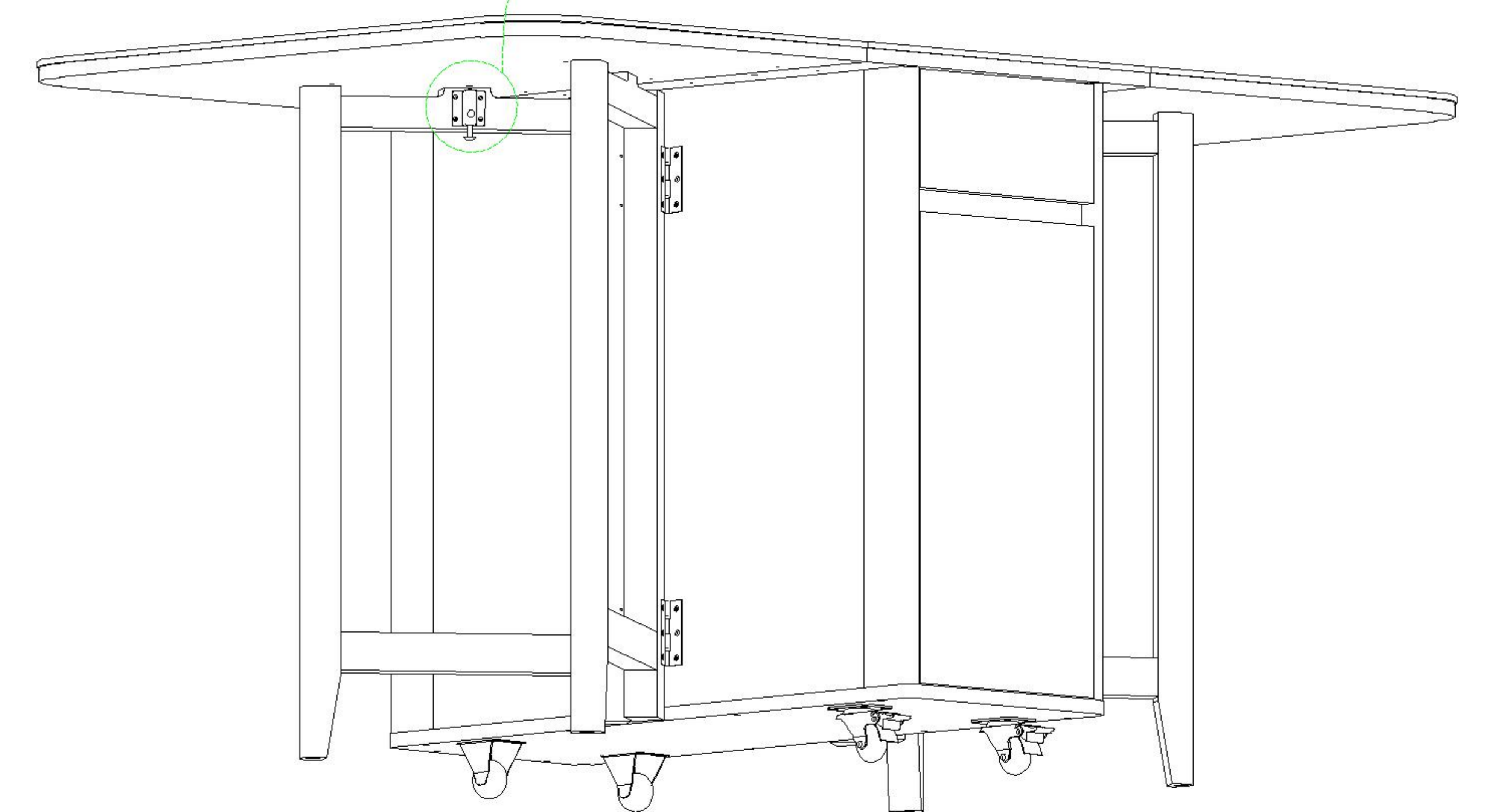
11



12



按压按钮, 松开插销  
Press the button  
to release the  
latch



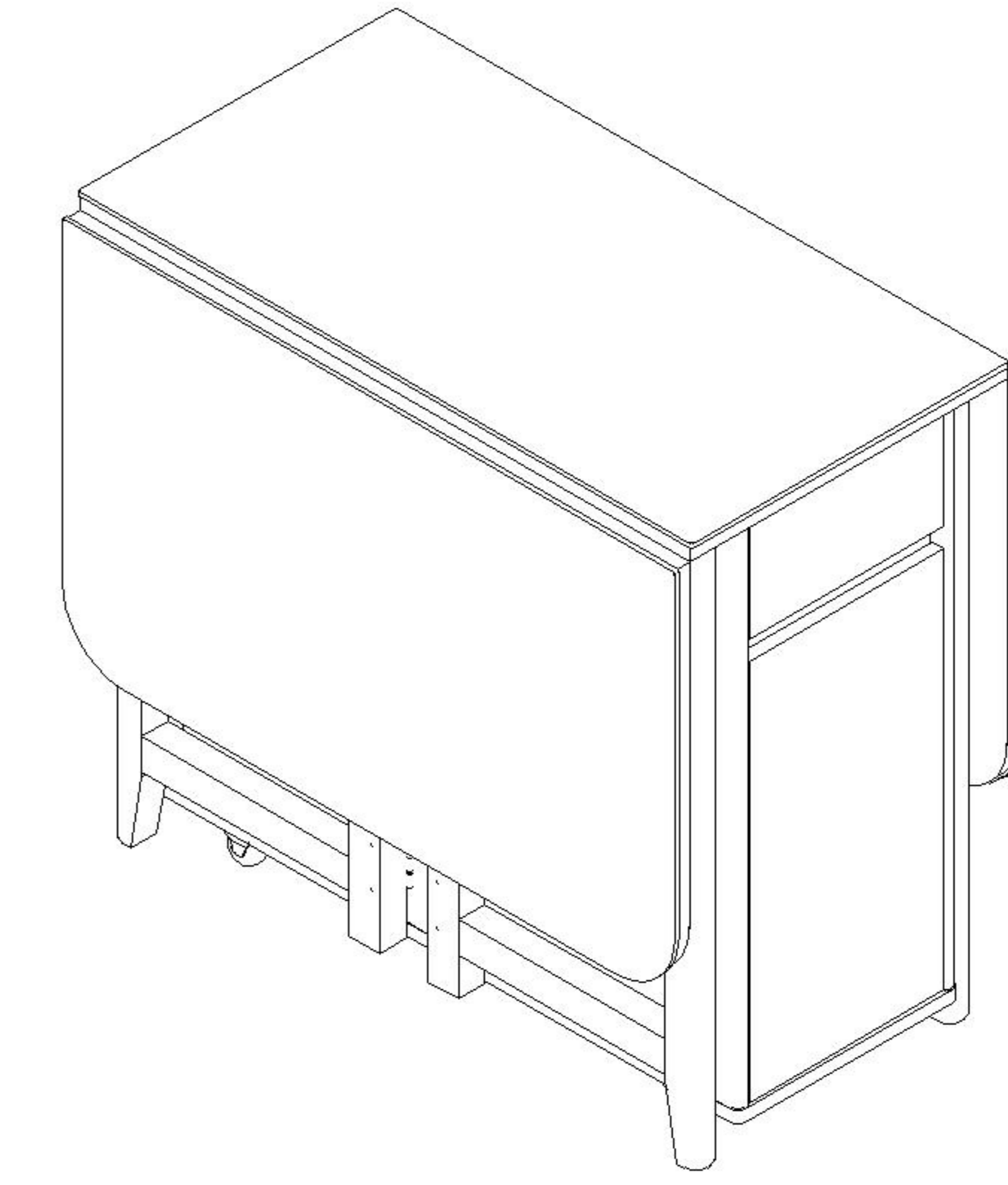
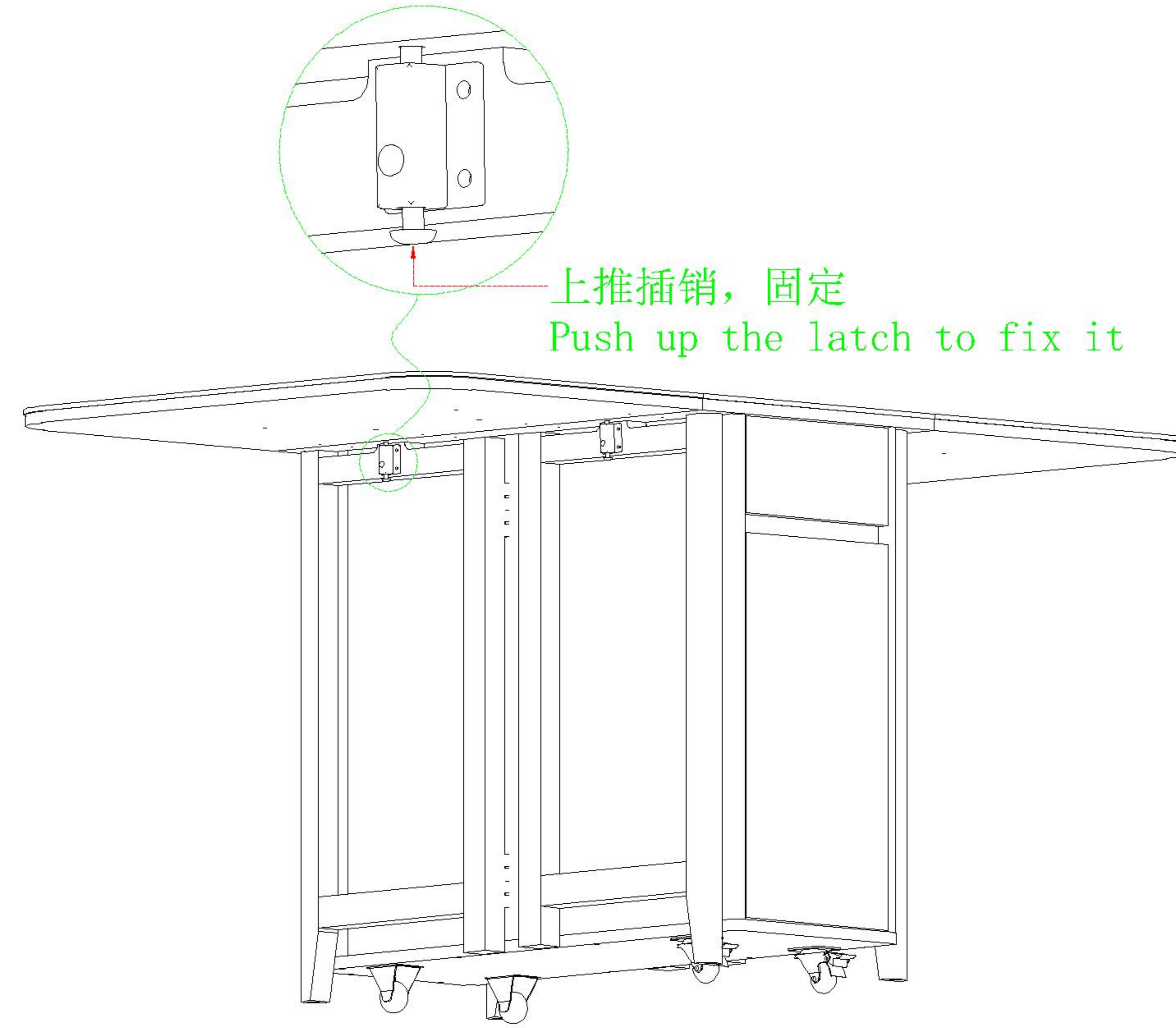


OU2R-A(岩板)

13

14

安装方法/  
Installation method



15

16