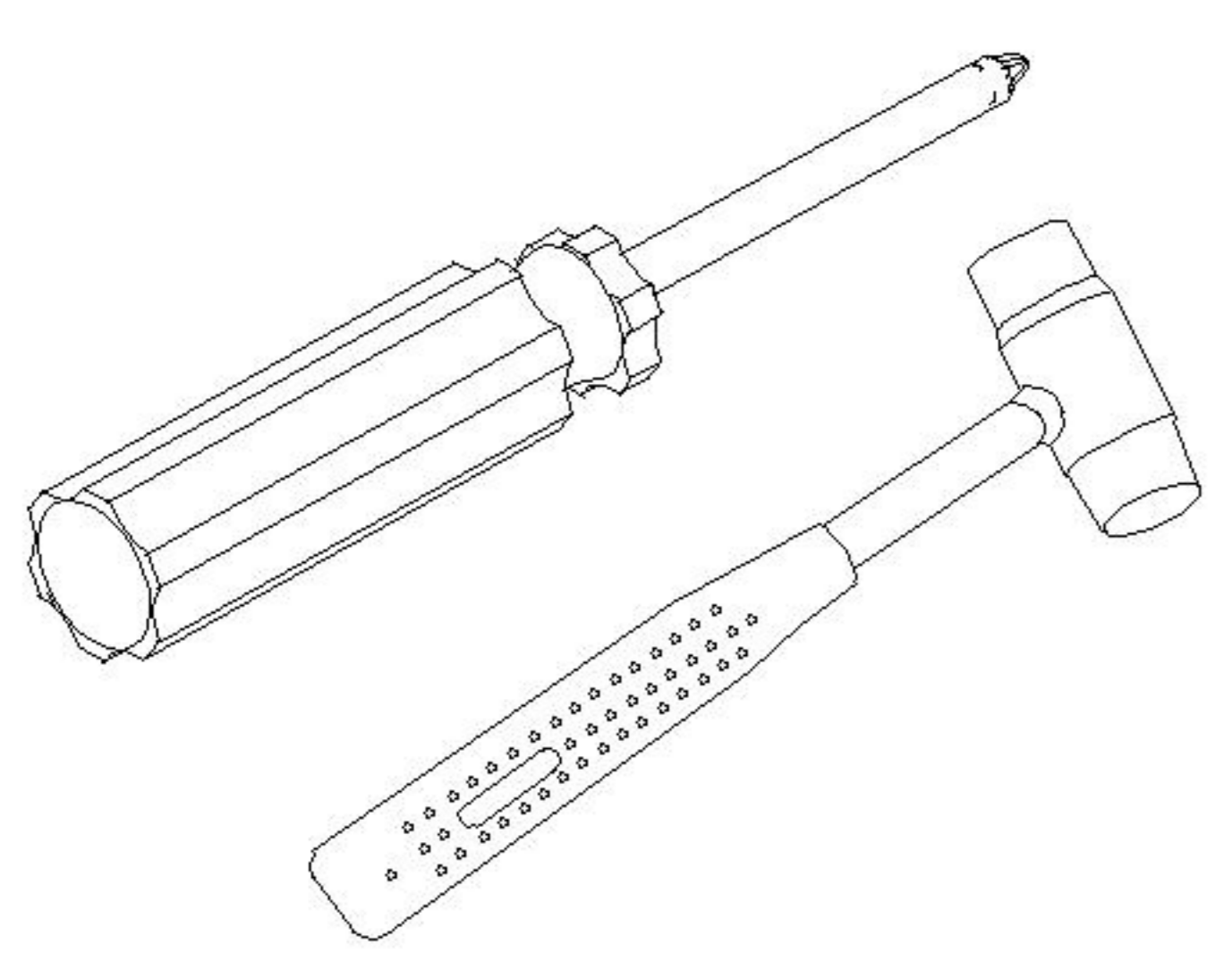
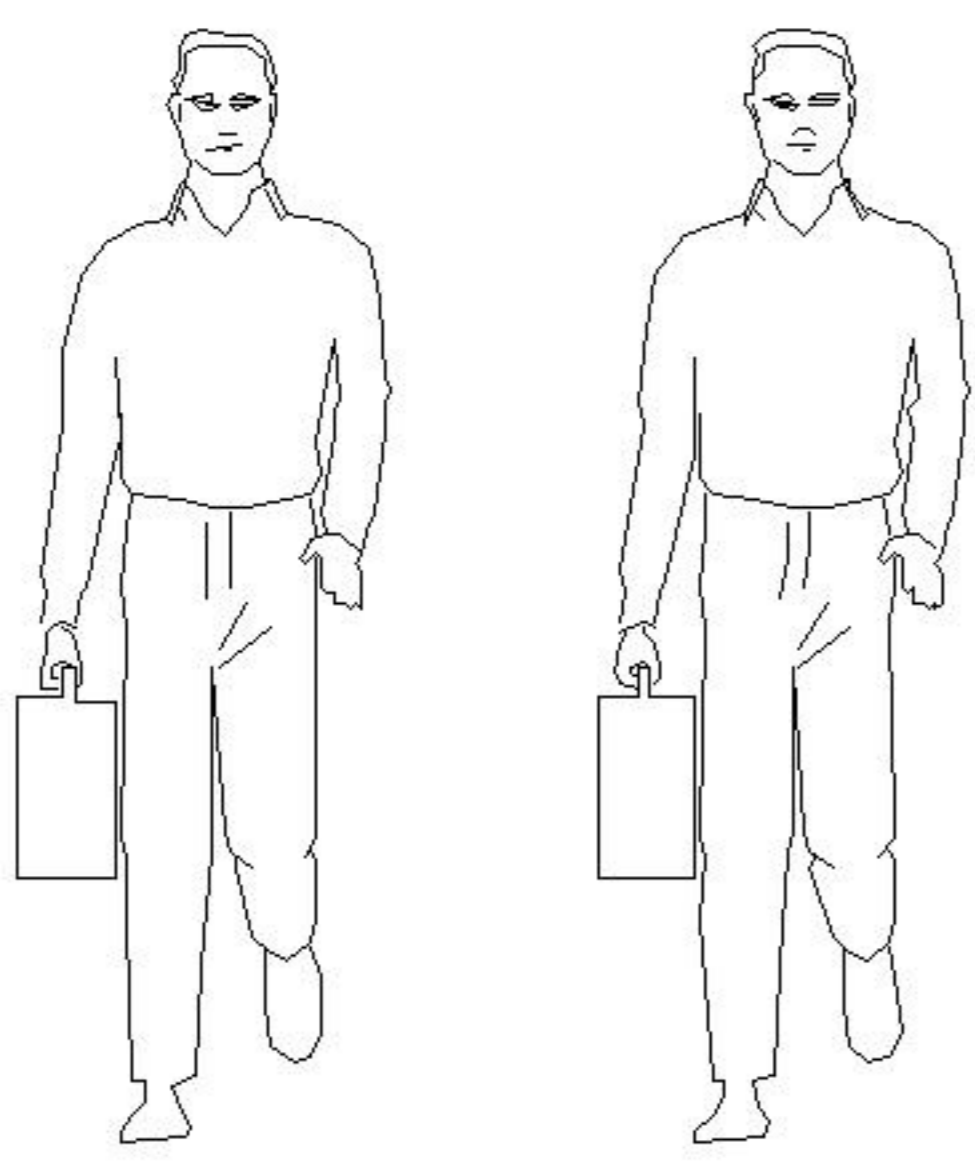


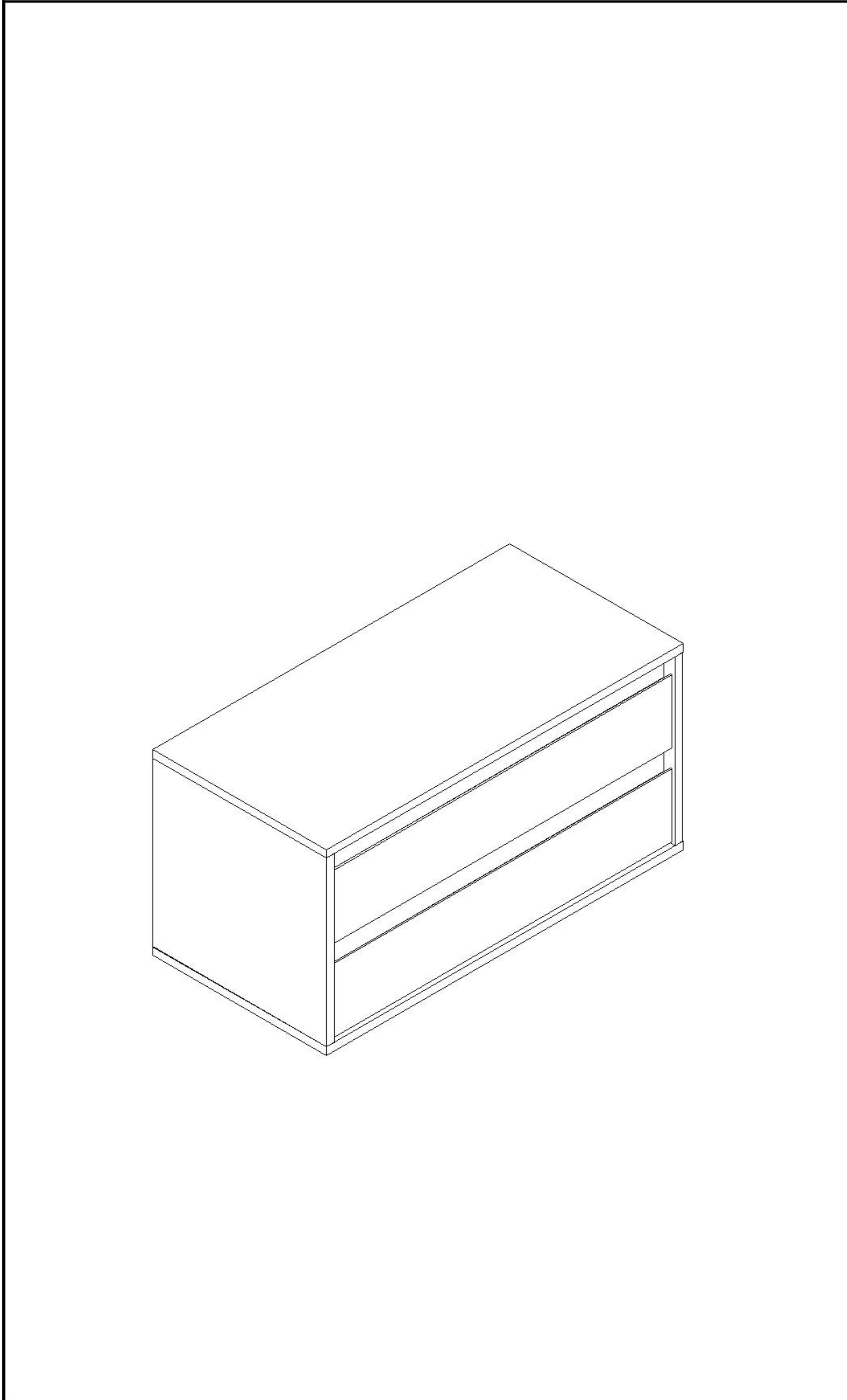
LINSY 林氏家居

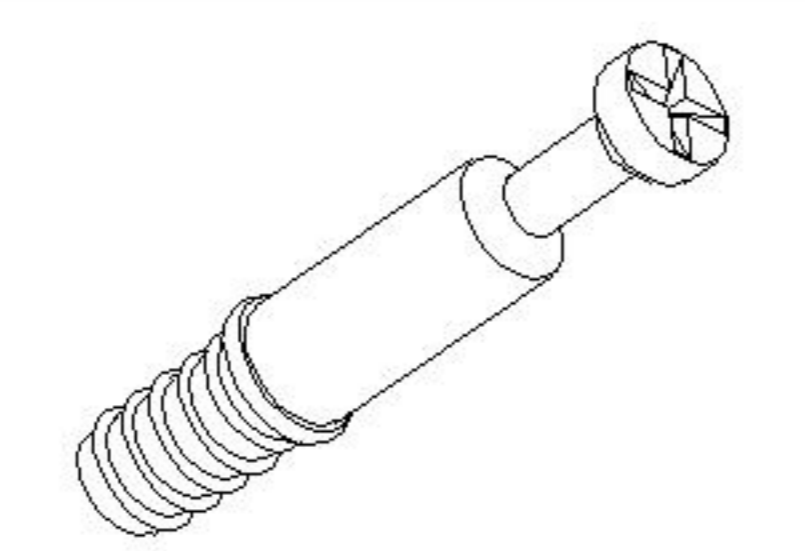
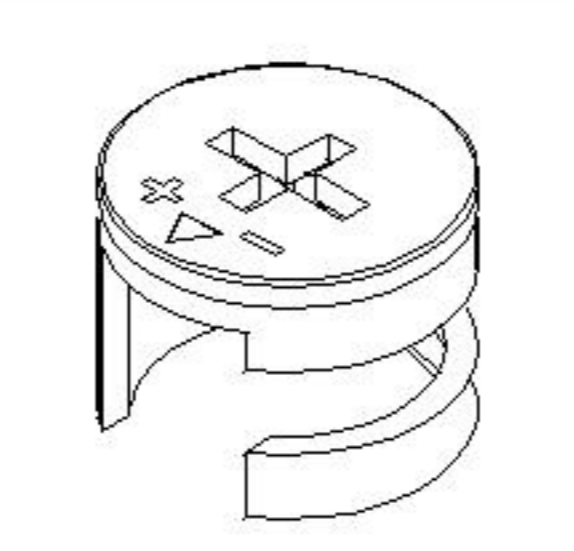
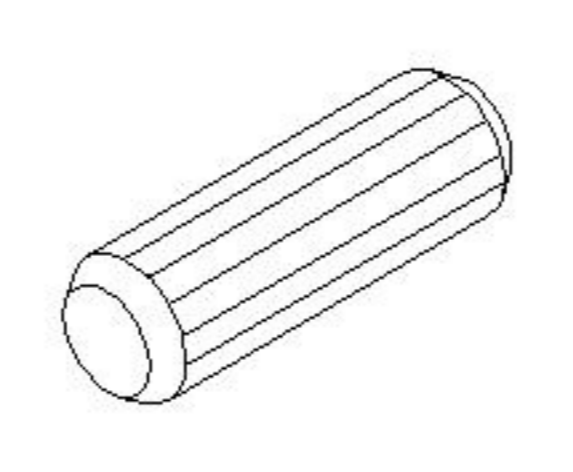
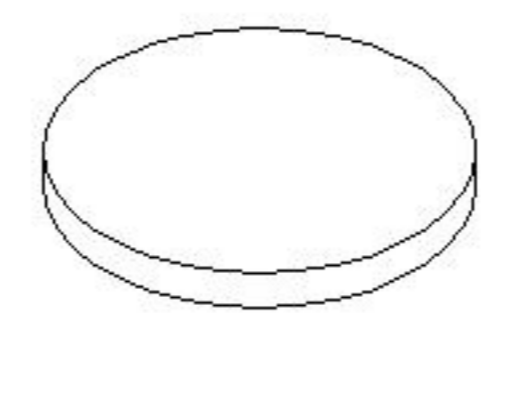
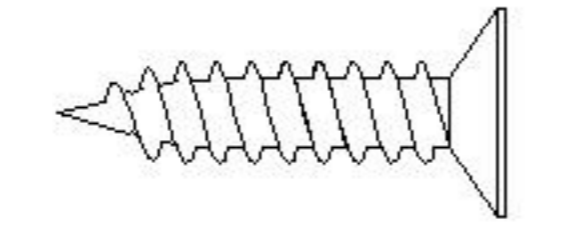
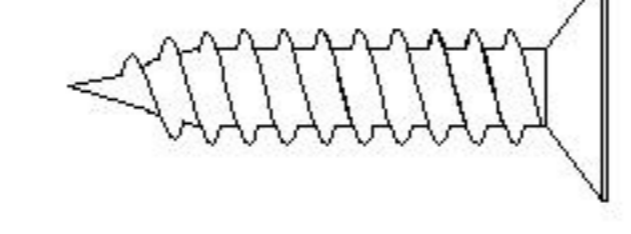
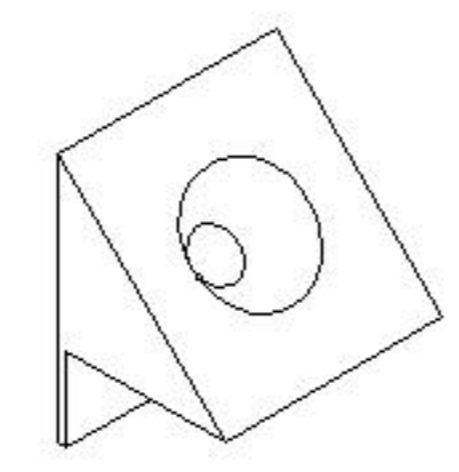
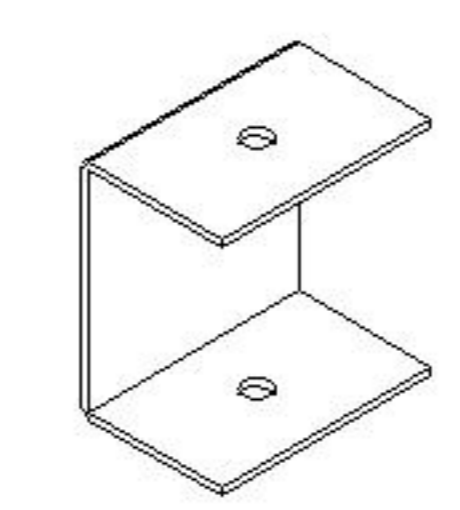
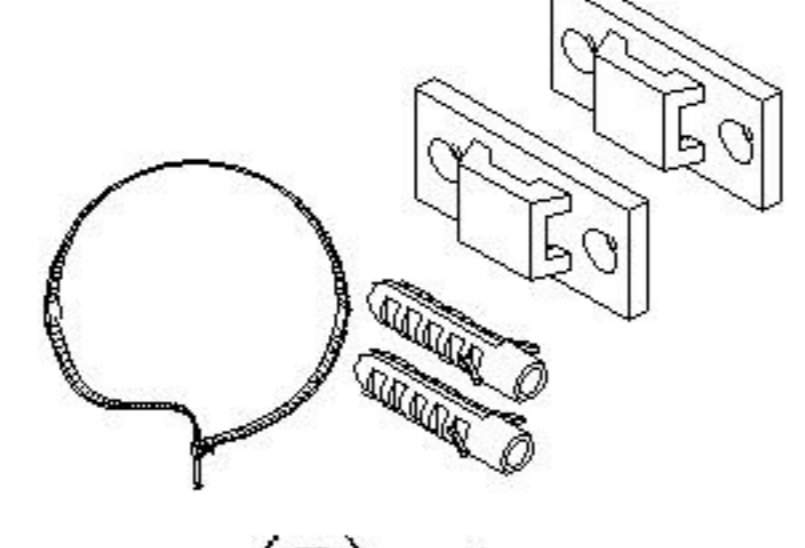
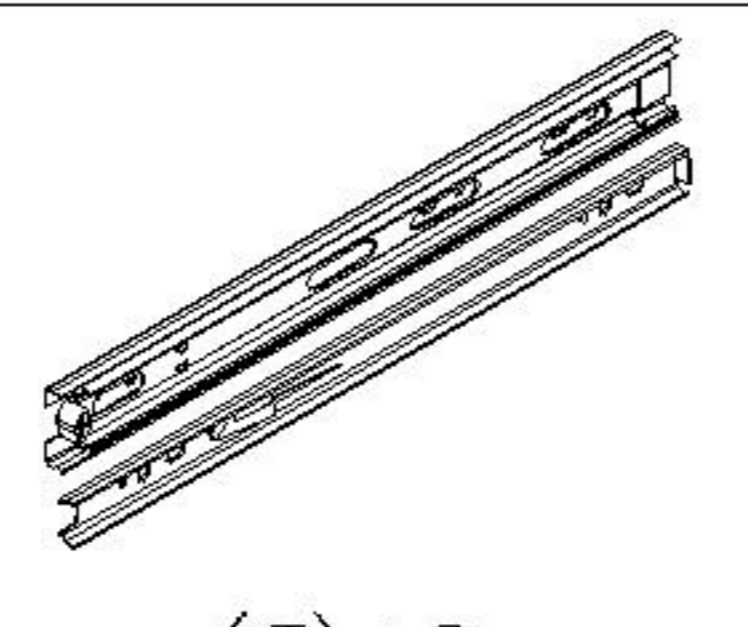
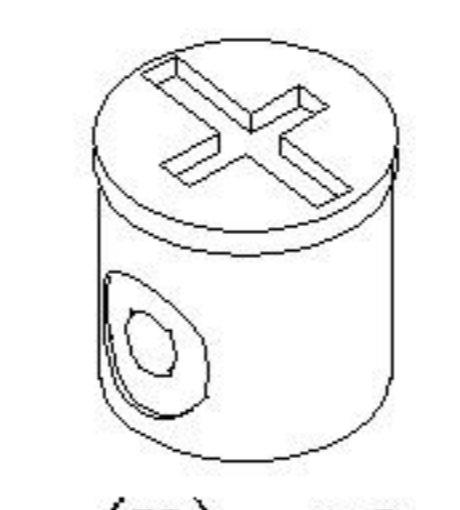
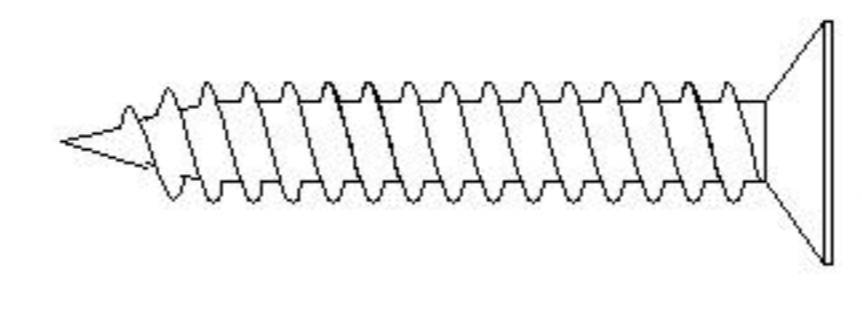
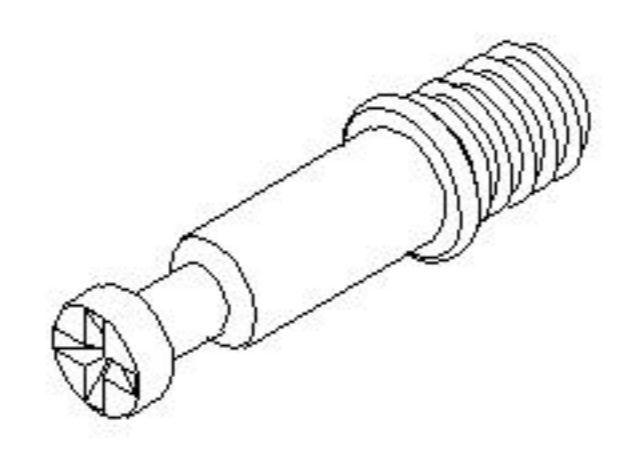
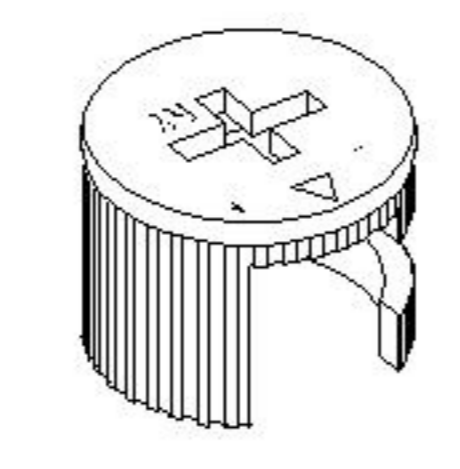
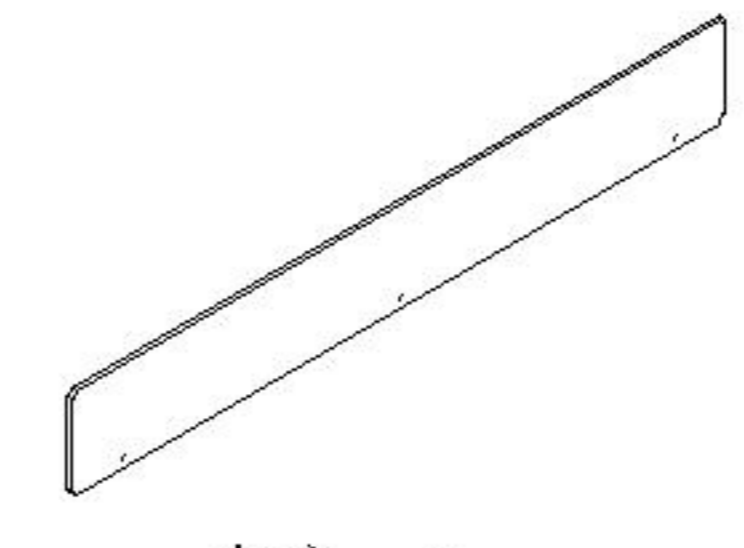
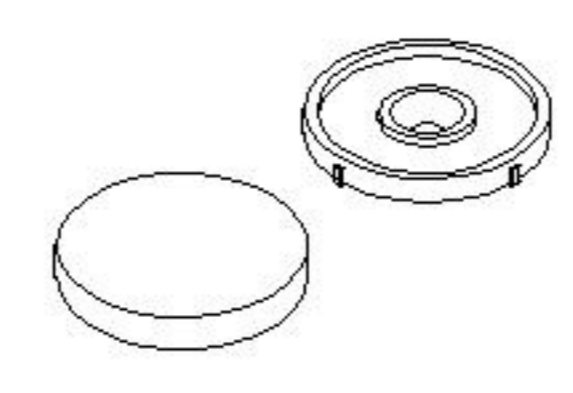
五金表/Hardware list

部件表/Parts List

安装示意图/Assembly Instruction

产品名称 Model NO.	KQ8E-A
产品规格 Specification	720*350*363mm
安装工具 Tool	安装人数 Installer
	

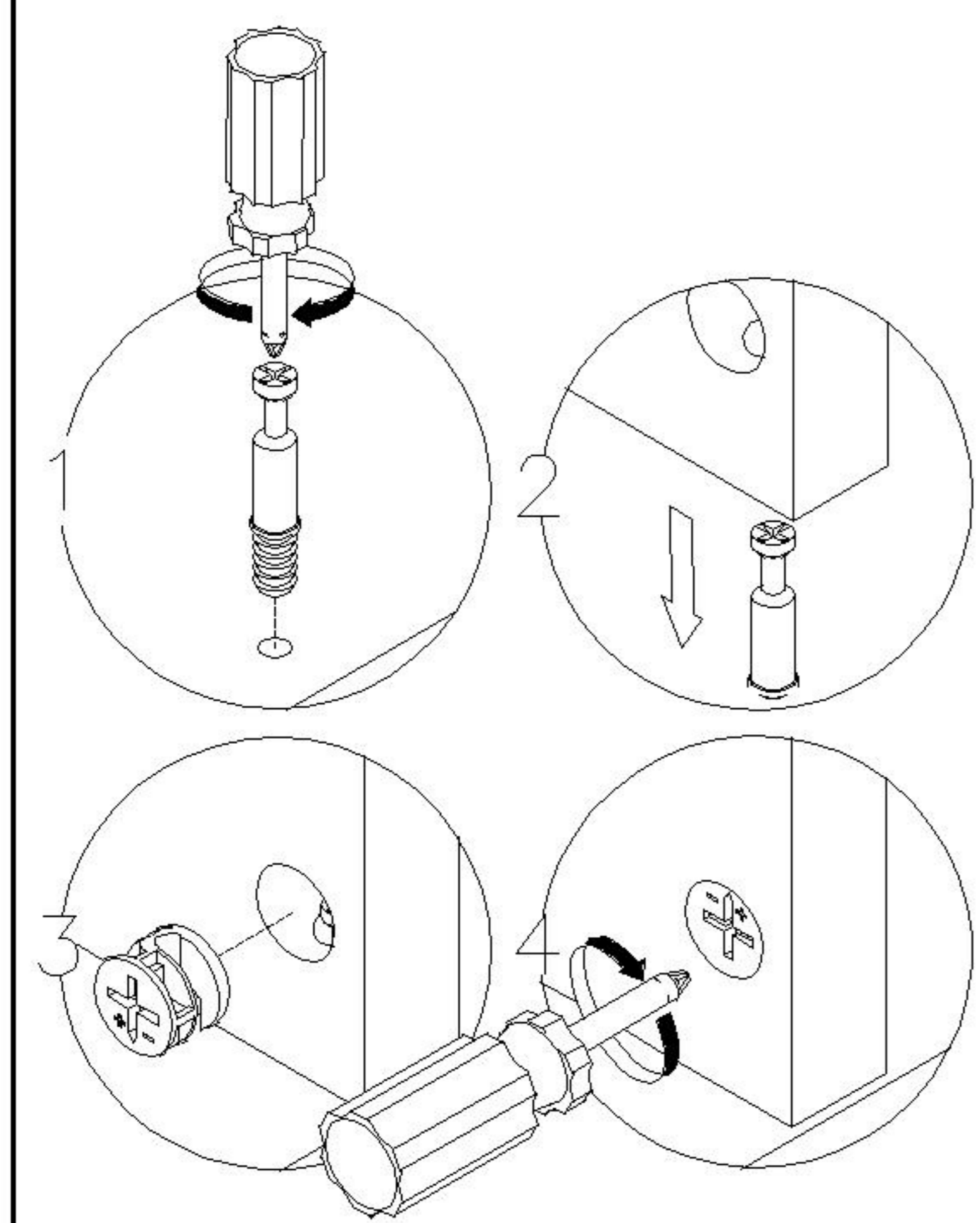


 (A)*8 二合一螺杆 2-in-1-screw	 (B)*8 大三合一锁饼 3-in-1 large lock	 (C)*8 木榫Ø8x30mm Wood tenon	 (D)*4 灰色毛毡垫 Foot pad
 (E)*29 白攻螺丝M3.5*12mm Tapping screw	 (F)*13 白攻螺丝M3.5*16mm Tapping screw	 (G)*6 背板扣 White buckle	 (H)*2 U型卡扣 U-shaped buckle
 (I)*1 家具防倒器-白色 Anti-fall device	 (J)*2 三节滚珠导轨10" Three-section rail	 (K)*13 塑料螺母 Plastic Nut	 (L)*13 白攻螺丝M4*10mm Tapping screw
 (M)*13 小二合一杆 2-in-1 small rod	 (N)*13 小三合一锁饼 3-in-1 small lock	 (O)*2 亚克力 Acrylic	 (P)*6 镜钉 Mirror nail

编号NO.	名称Name	规格(mm) Specification	数量QTY	材质Material
①	顶底板Top base board	720*350*15	2	三胺板 Melamine
②	右侧板Side board(R)	330*350*15	1	三胺板 Melamine
③	左侧板Side board(L)	330*350*15	1	三胺板 Melamine
④	背板Back board	698*340*5	1	三胺板 Melamine
⑤	抽屉面板 Drawer's top panel	684*128*15	2	三胺板 Melamine
⑥	抽屉后板 Drawer's Back board	638*78*12	2	三胺板 Melamine
⑦	抽屉右侧板 Drawer's side board(R)	295*78*12	2	三胺板 Melamine
⑧	抽屉左侧板 Drawer's side board(L)	295*78*12	2	三胺板 Melamine
⑨	抽屉底板 Drawer's Bottom board	648*291*5	2	三胺板 Melamine
⑩	抽屉底托条 Drawer's bottom bracket	281*58*12	2	三胺板 Melamine
⑪				
⑫				
⑬				
⑭				
⑮				
⑯				
⑰				
⑱				
⑲				
⑳				
㉑				
㉒				
㉓				
㉔				
㉕				

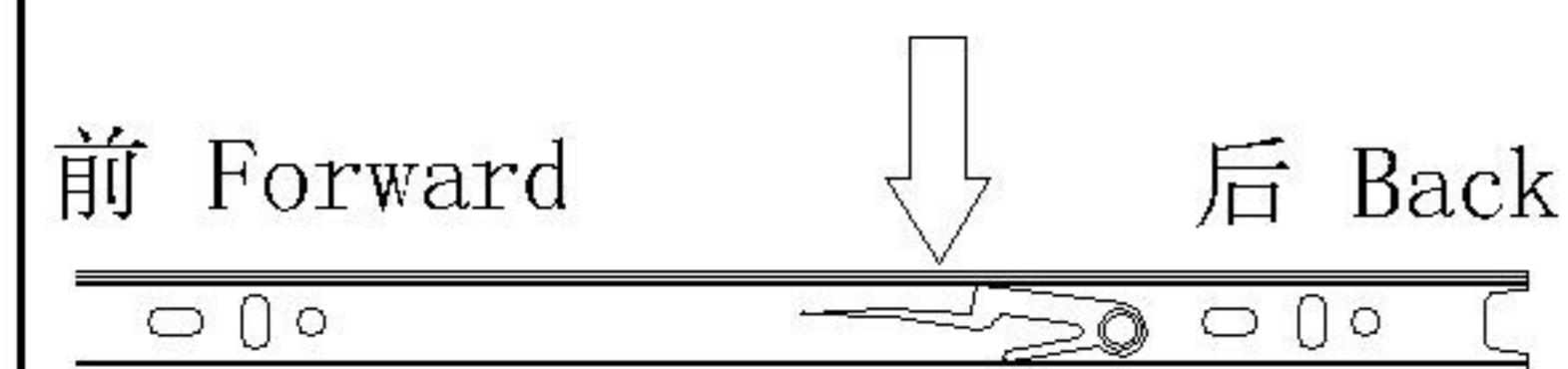
KQ8E-A

安装方法
Installation method

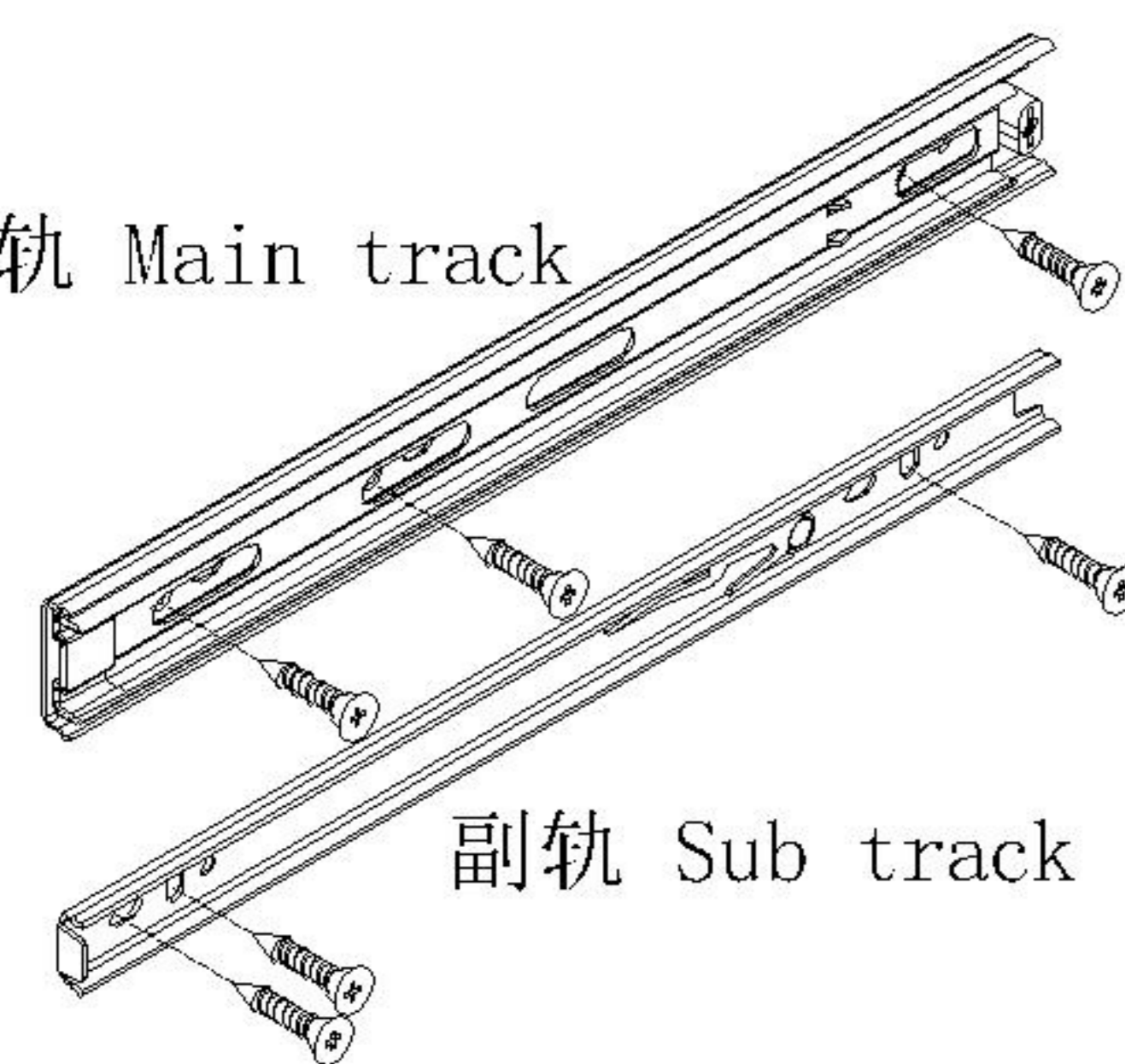


二合一 two-in-one

阀门开关(下压为开)
Valve switch (press down to open)



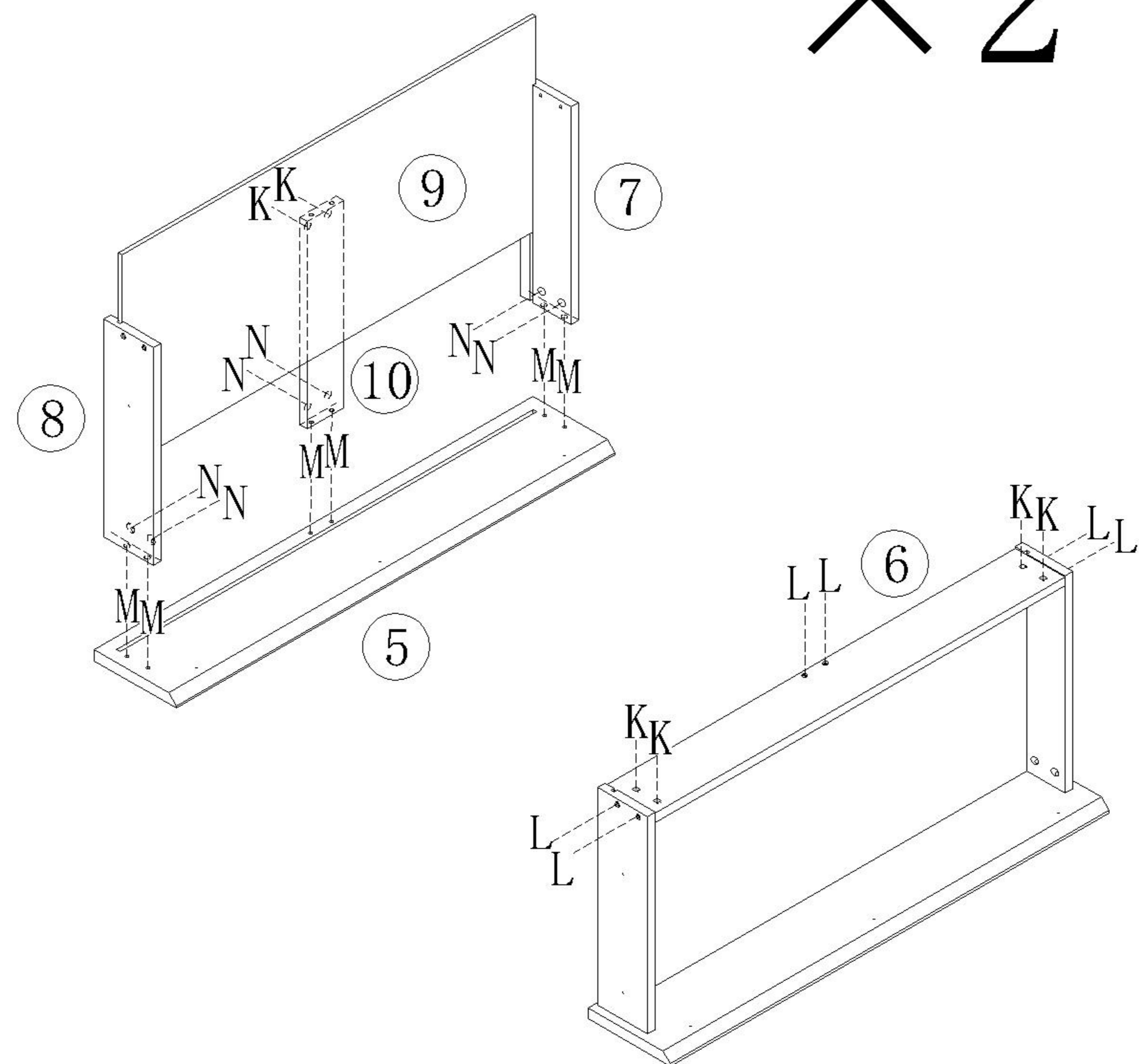
主轨 Main track



副轨 Sub track

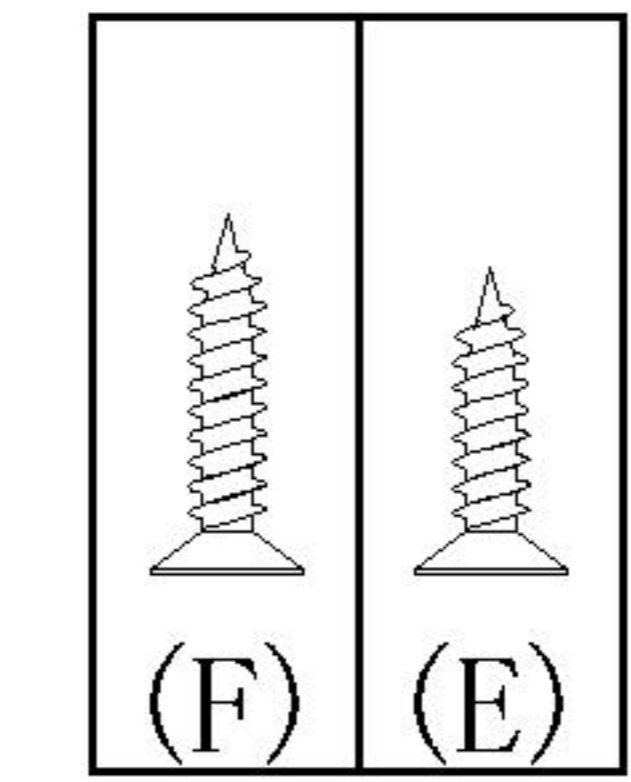
三节滚珠导轨-10"
Three-section rail

- (M) *12
- (N) *12
- (L) *12
- (K) *12

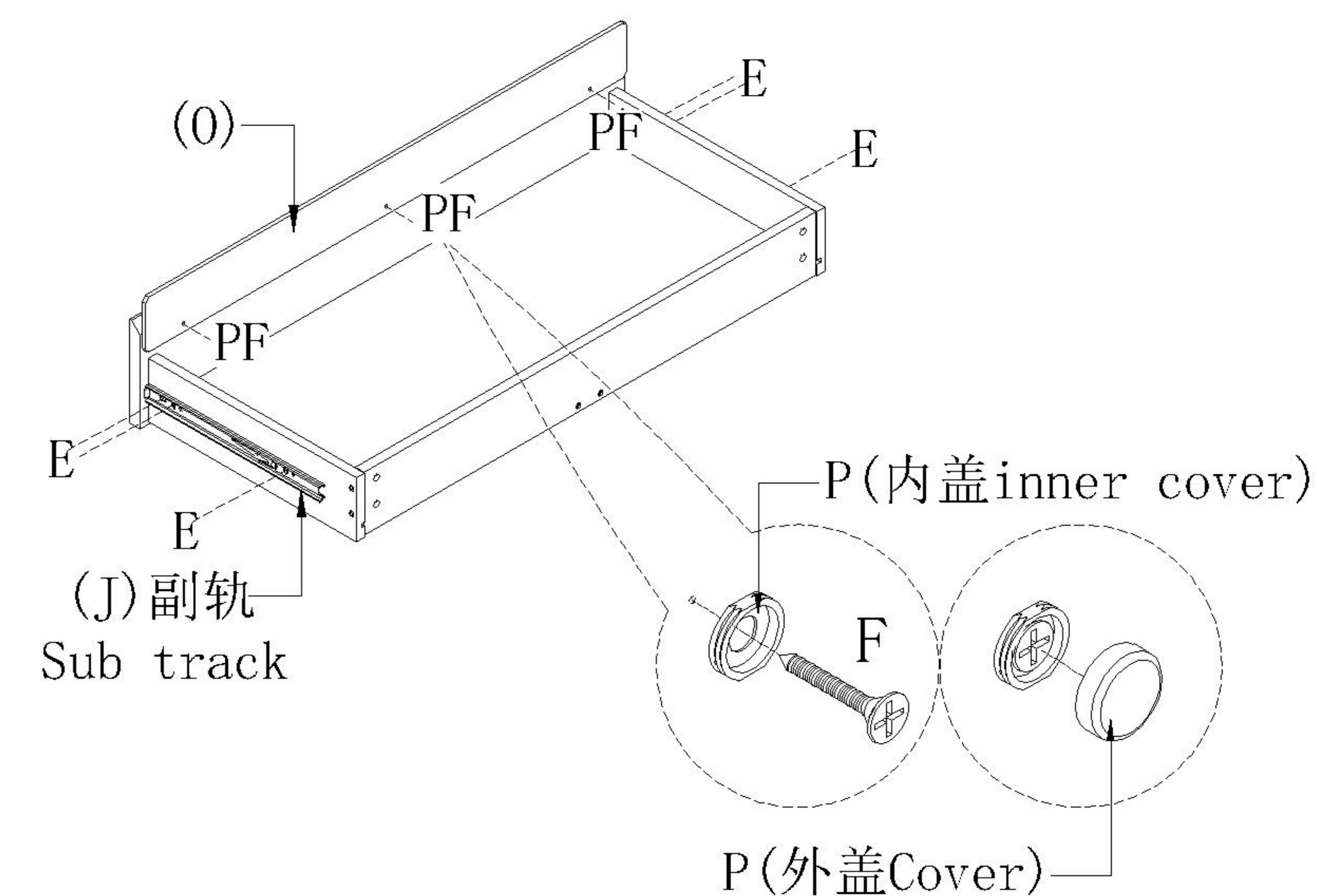


×2

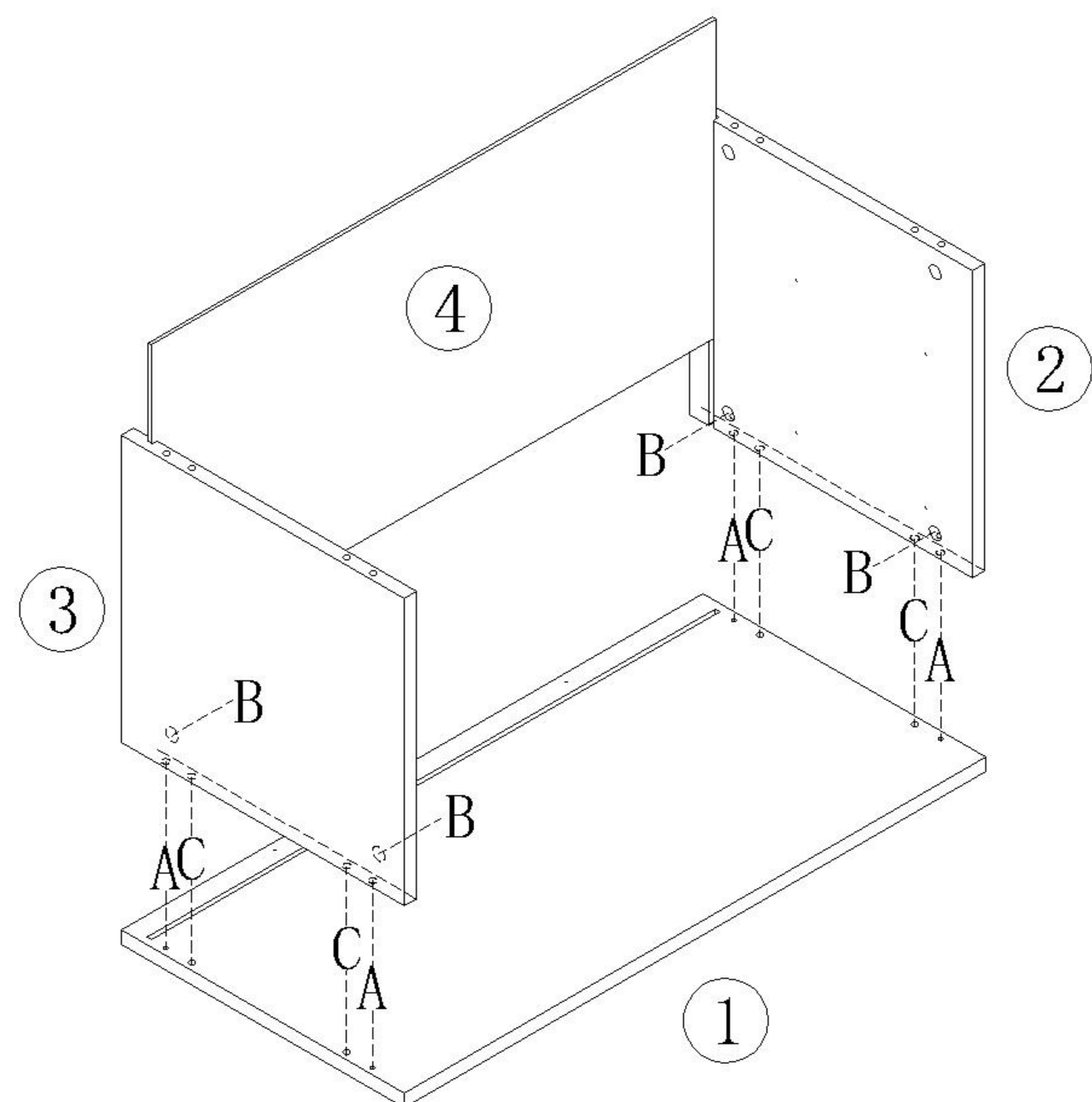
- (E) *12
- (F) *6
- (J) *2
- (O) *2
- (P) *6



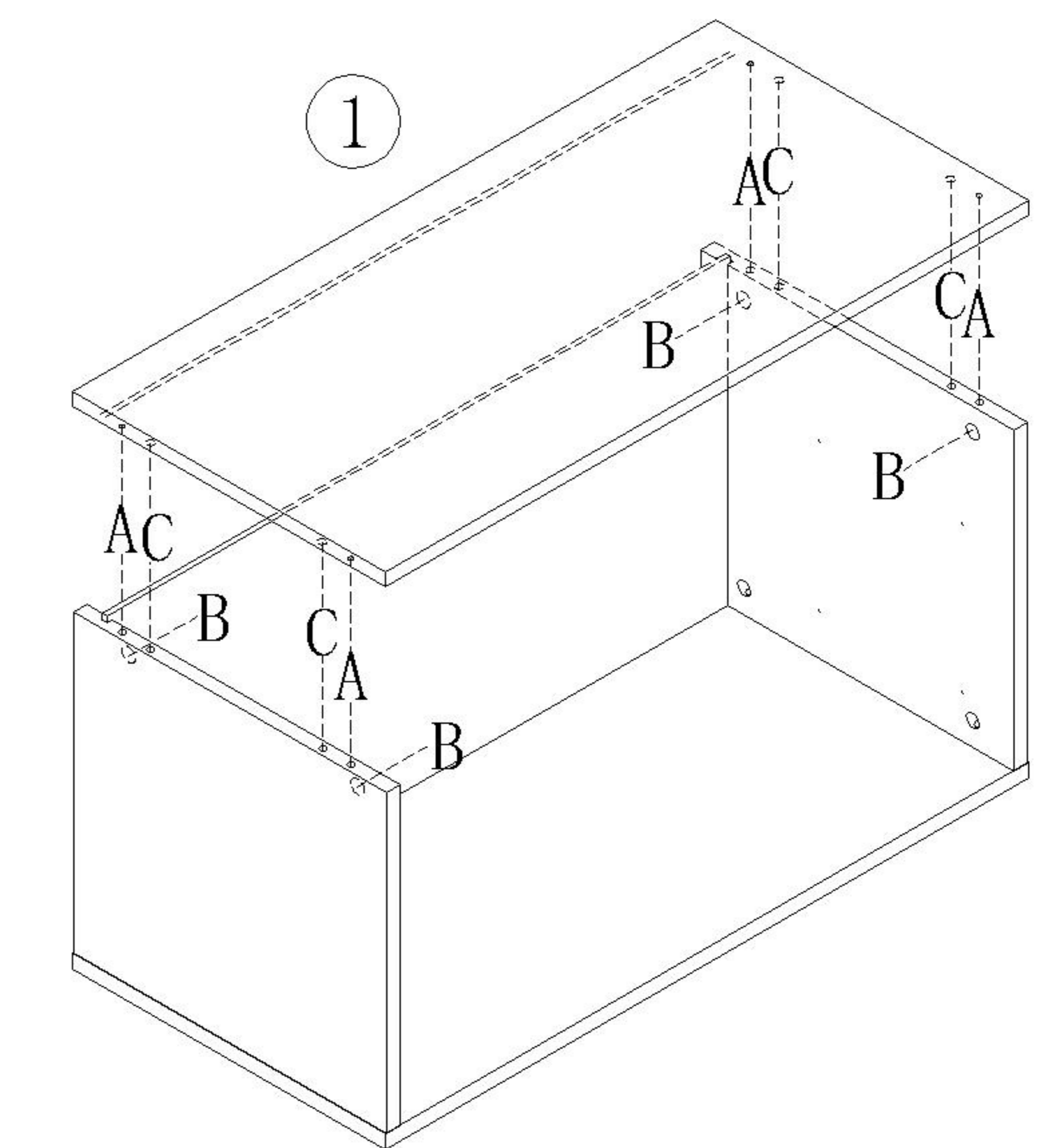
×2



- (A) *4
- (B) *4
- (C) *4



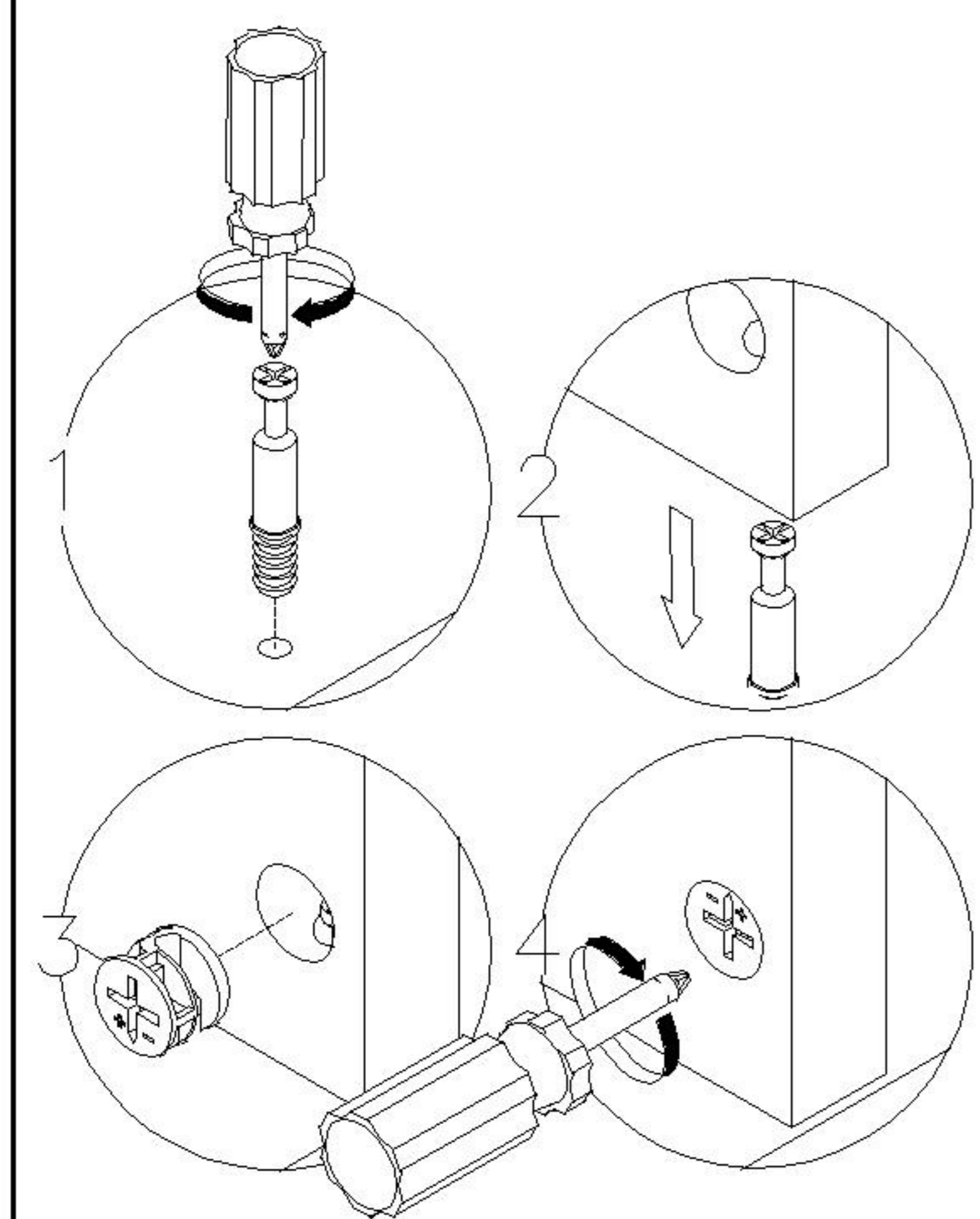
- (A) *4
- (B) *4
- (C) *4



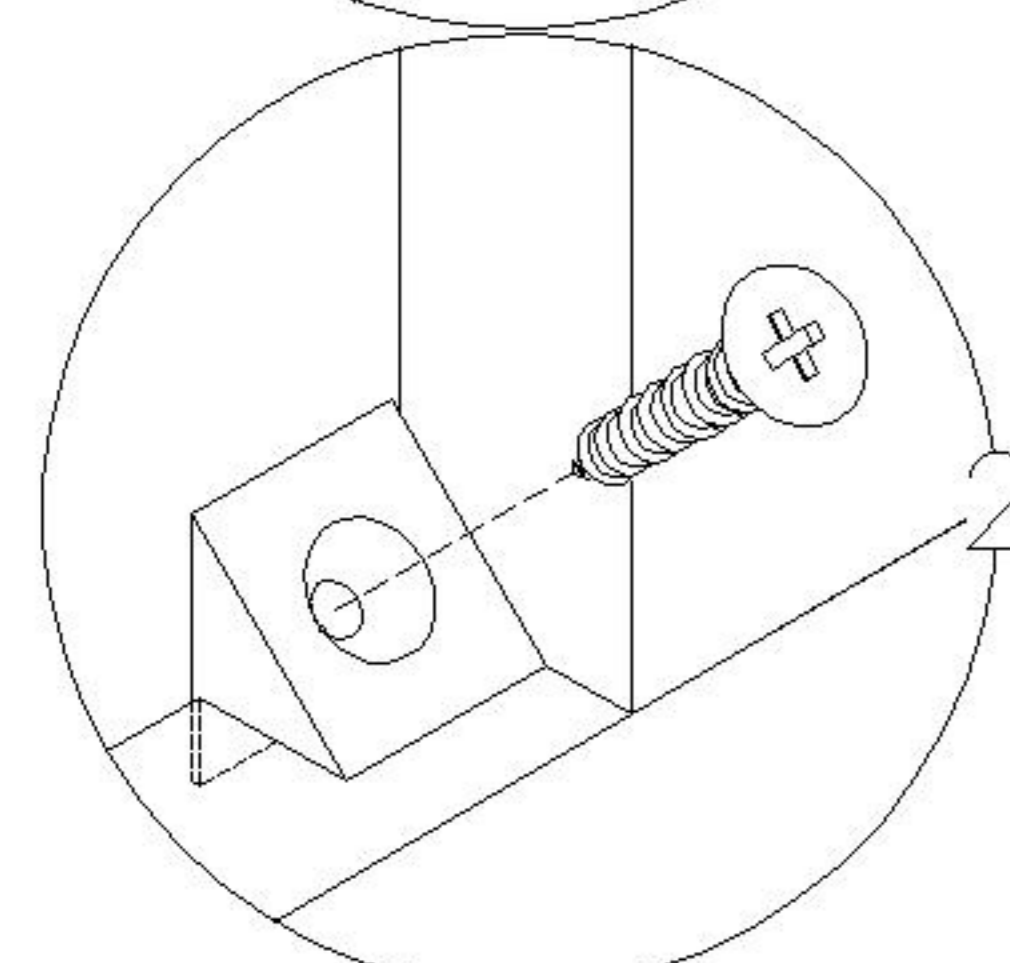
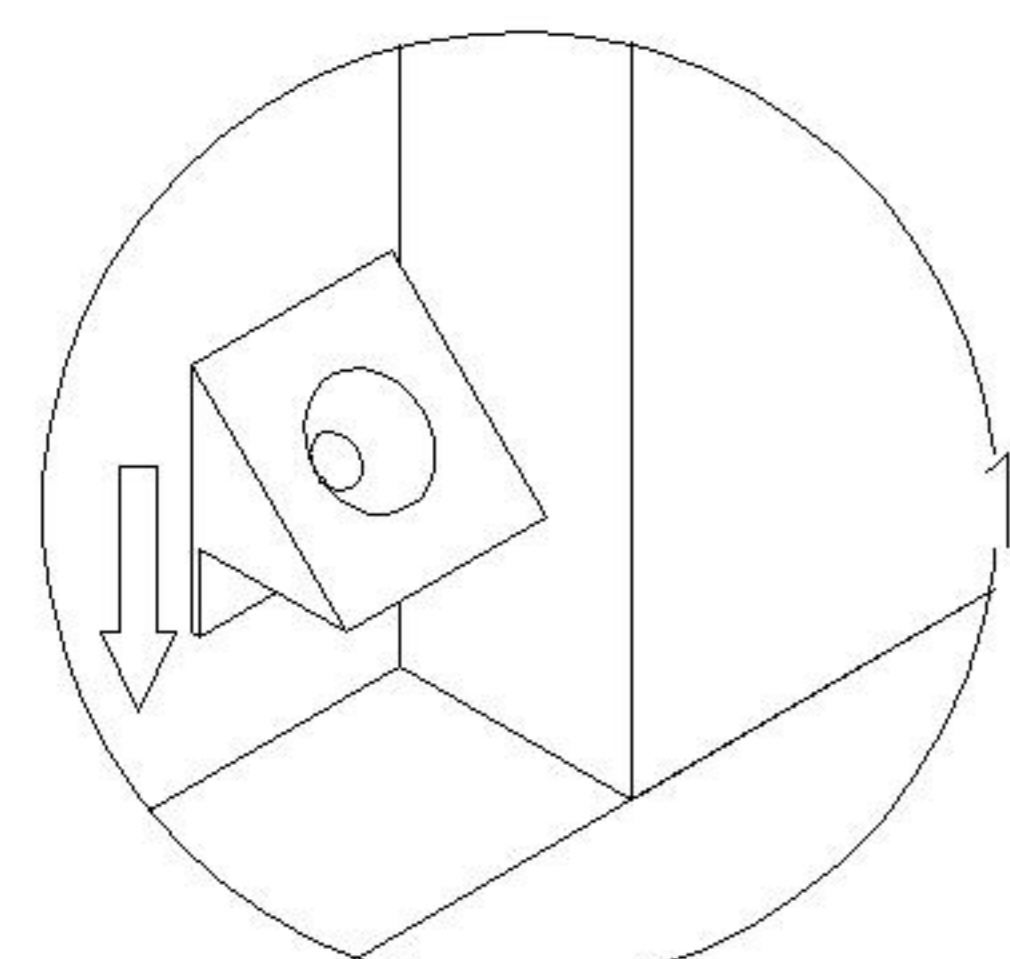
KQ8E-A

安装方法 Installation method

(E)*12
(J)*2



二合一 two-in-one

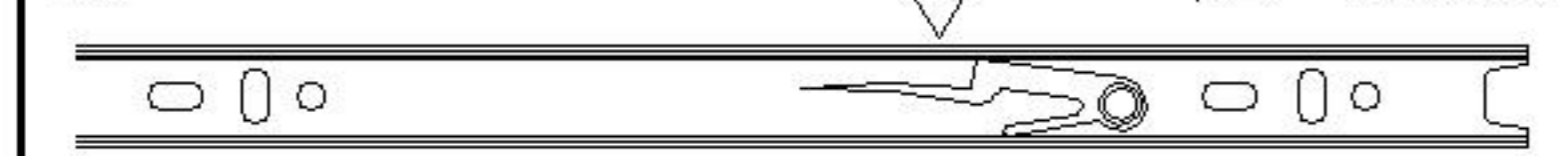


背板扣

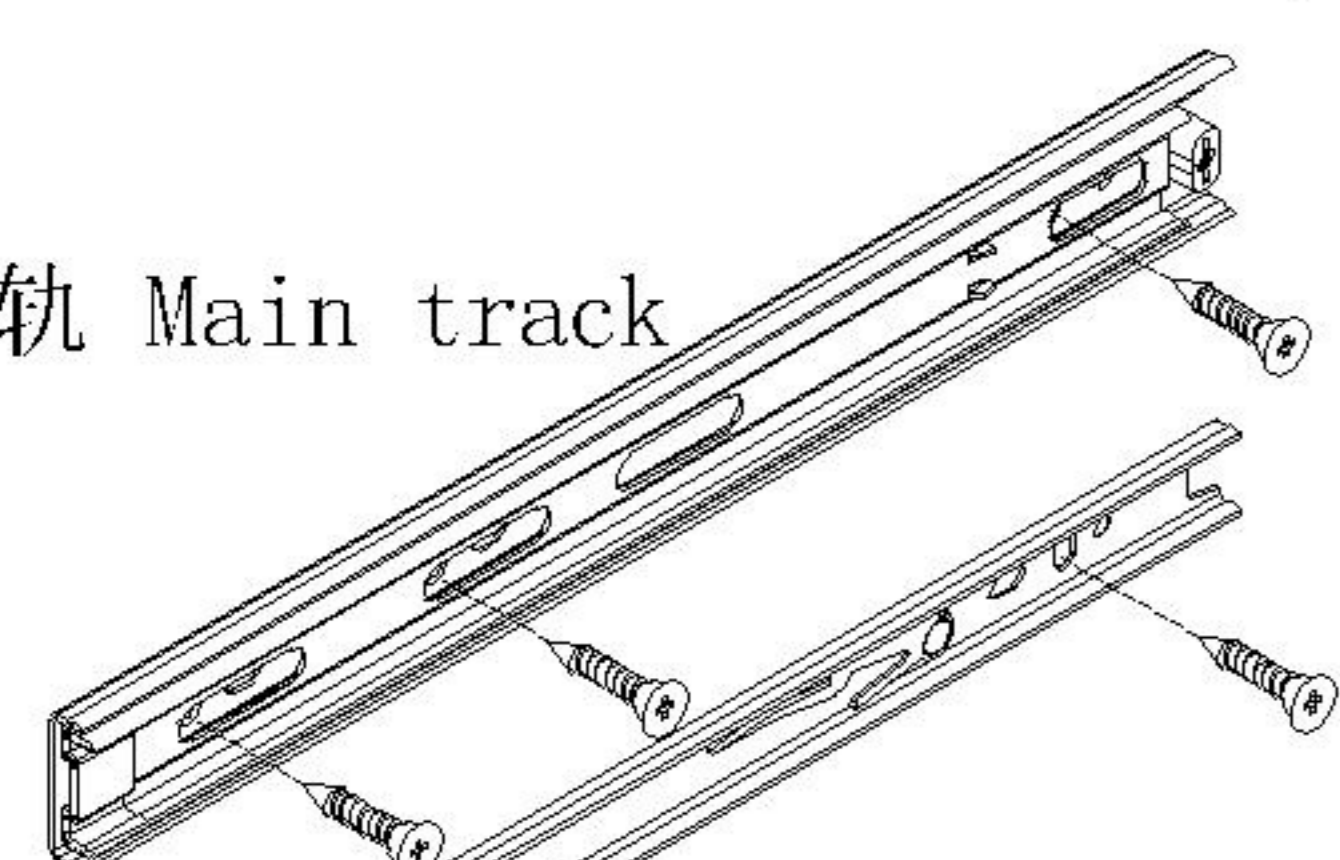
Back Plate Buckle

阀门开关(下压为开)
Valve switch (press down to open)

前 Forward 后 Back

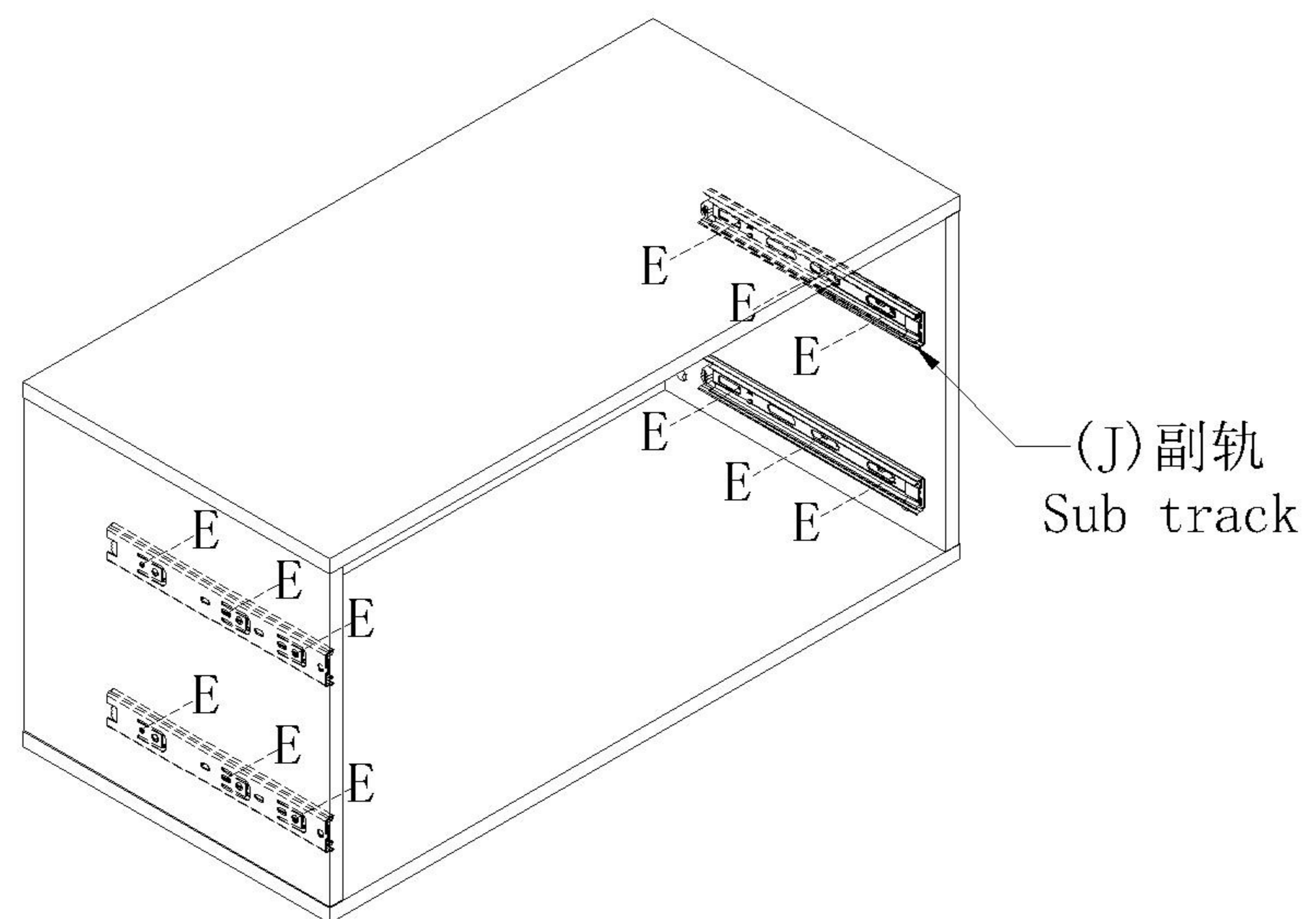


主轨 Main track

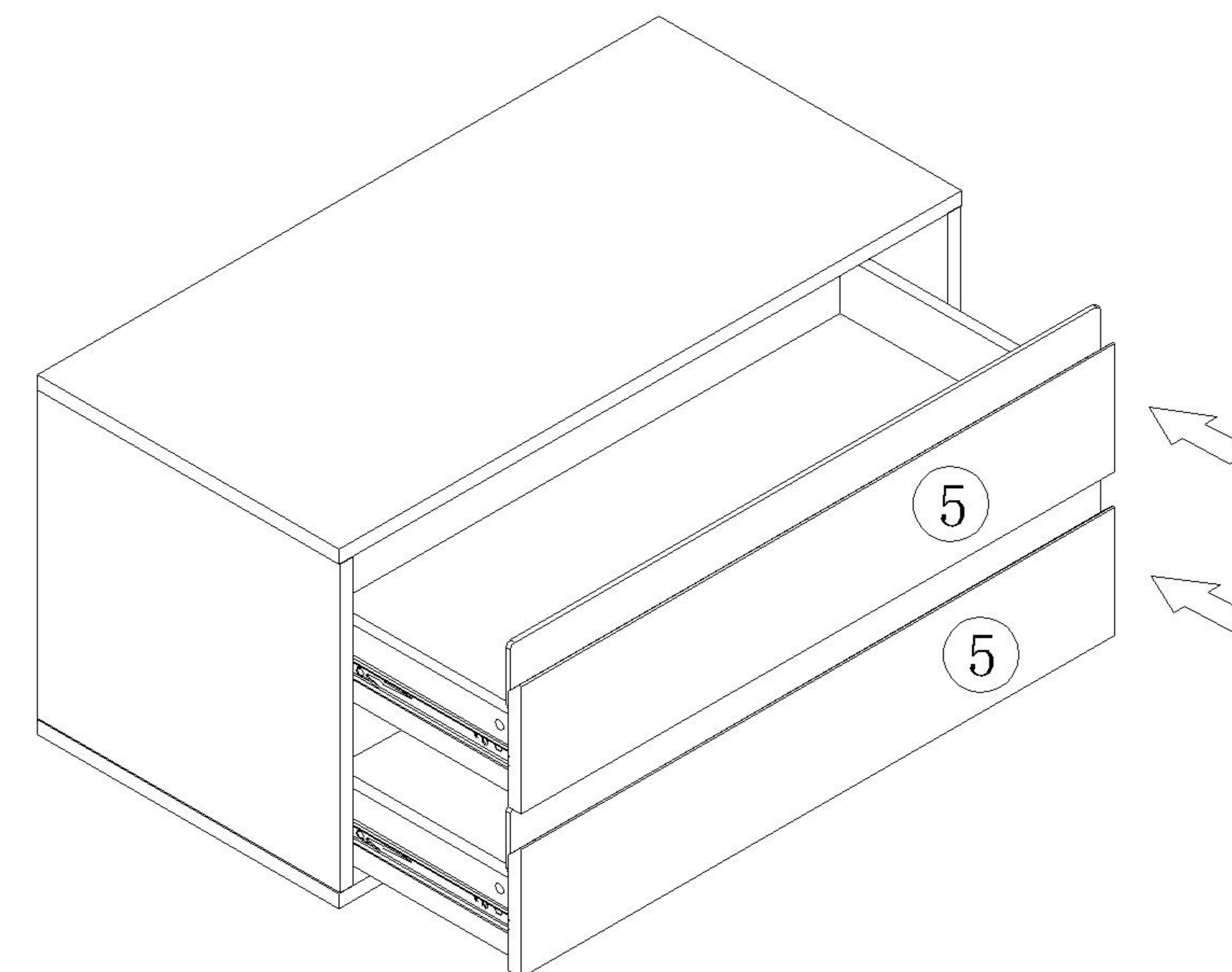


副轨 Sub track

三节滚珠导轨-10"
Three-section rail

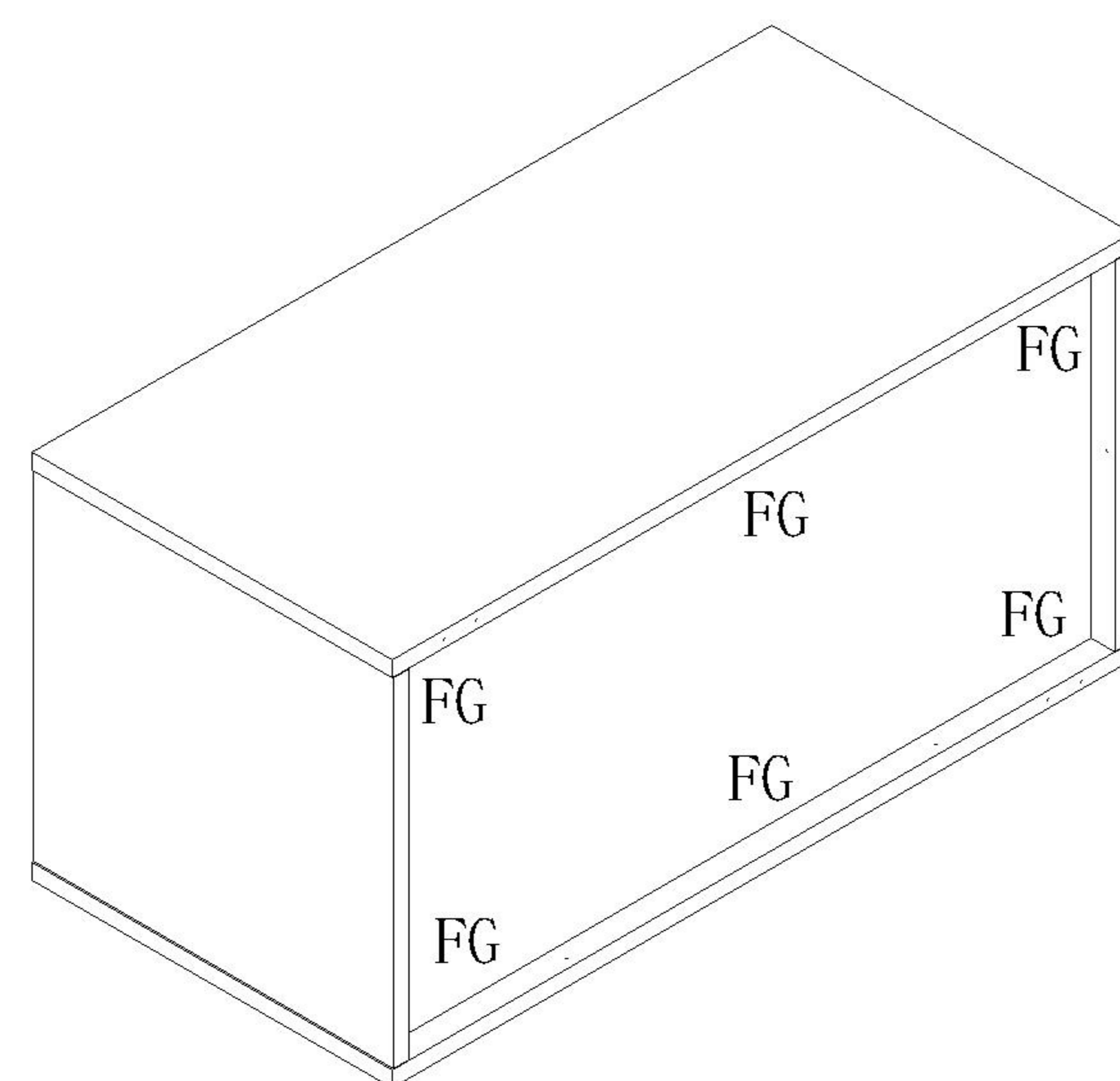
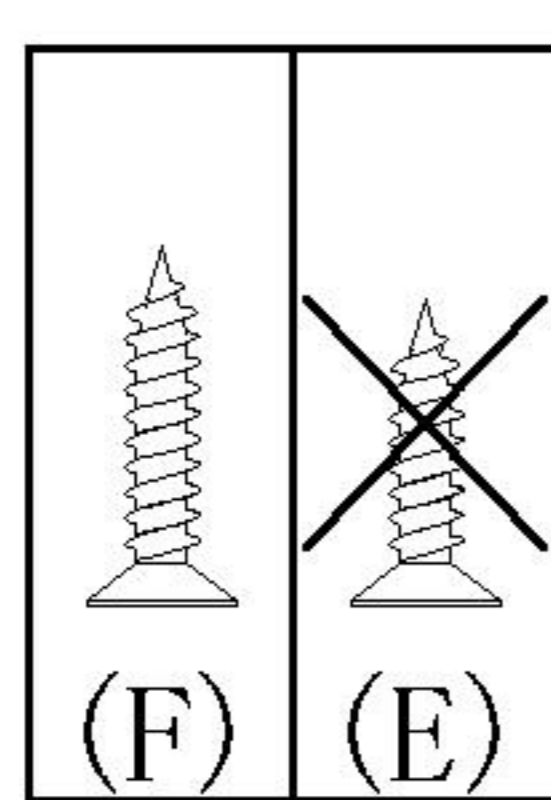


5



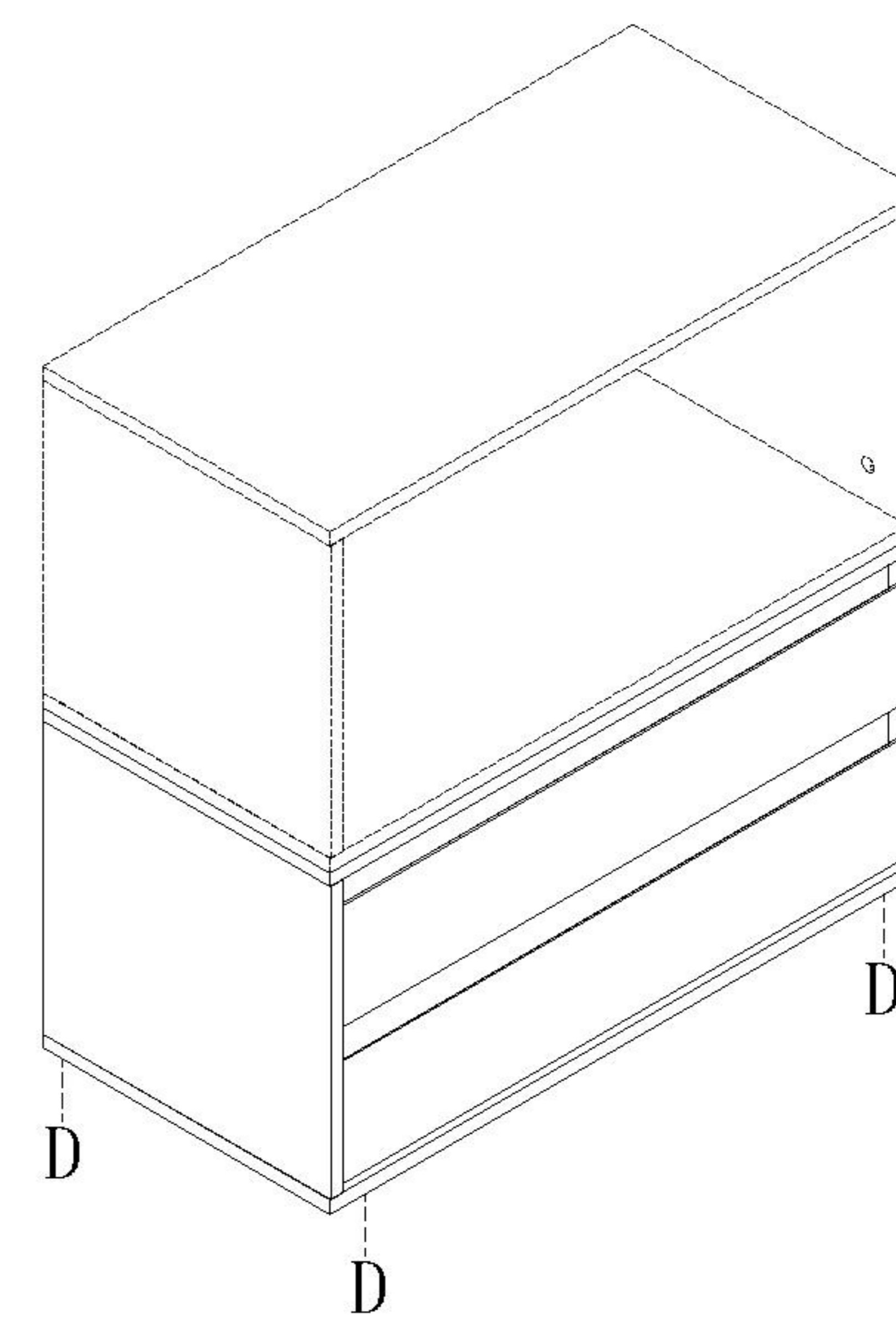
6

(F)*6
(G)*6

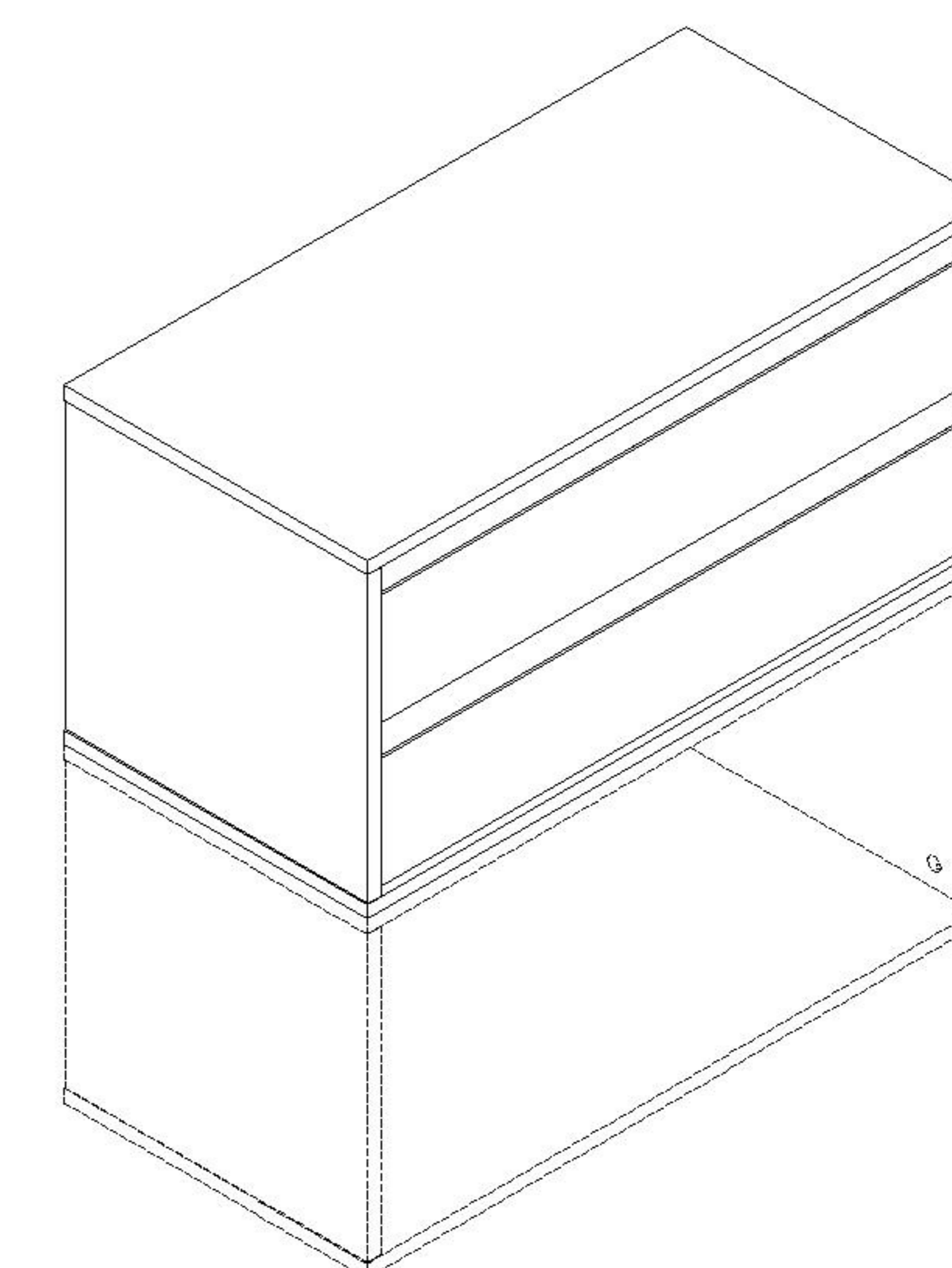


7

(D)*4



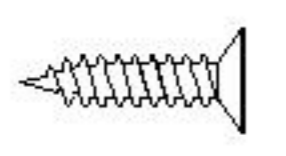
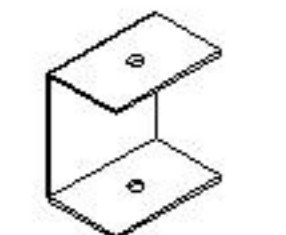
接触地面需安装五金(D)
Hardware installation required
for contact with the ground (D)



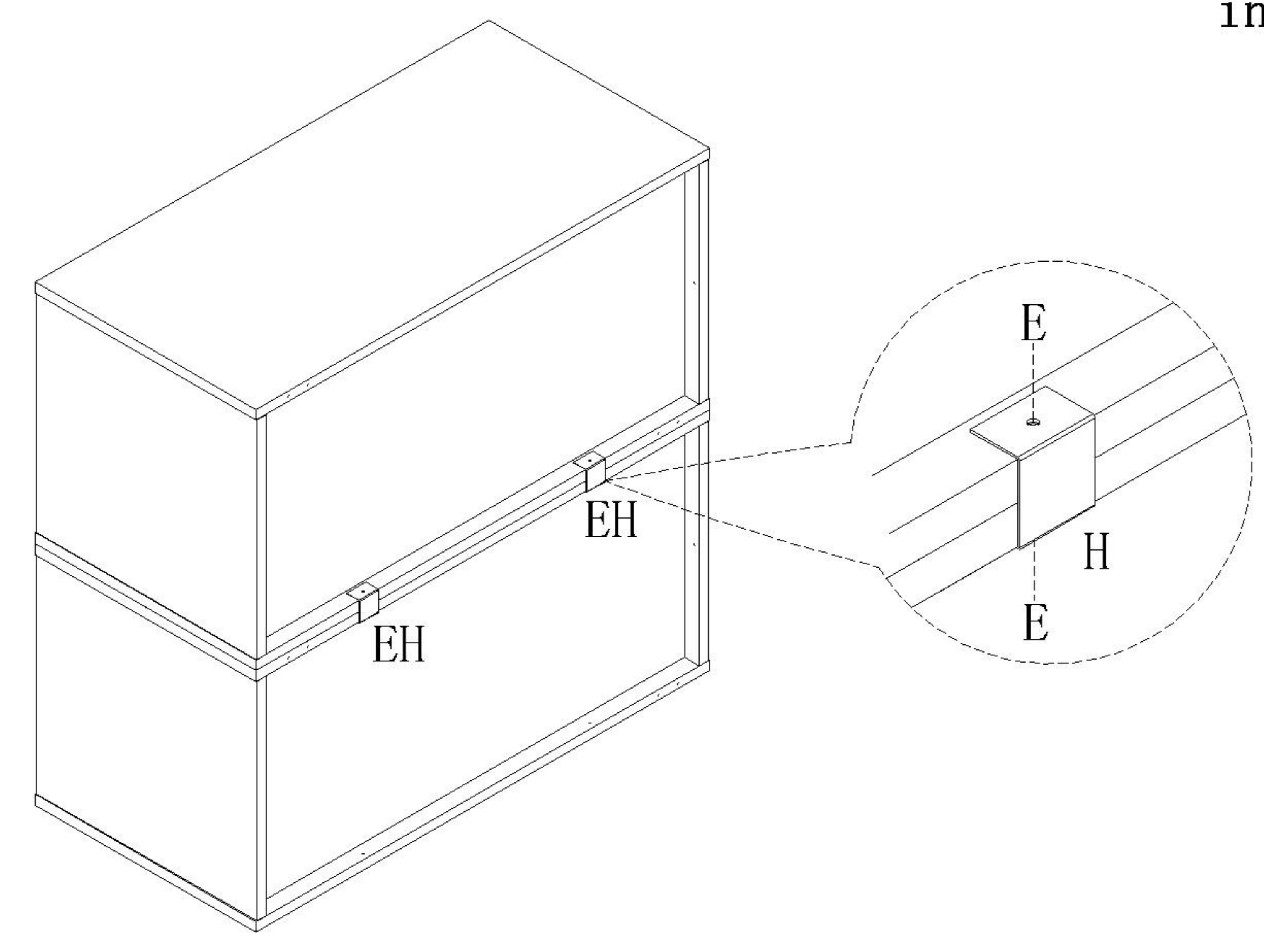
无接触地面不需安装五金(D)
No need to install hardware
without touching the ground (D)

8

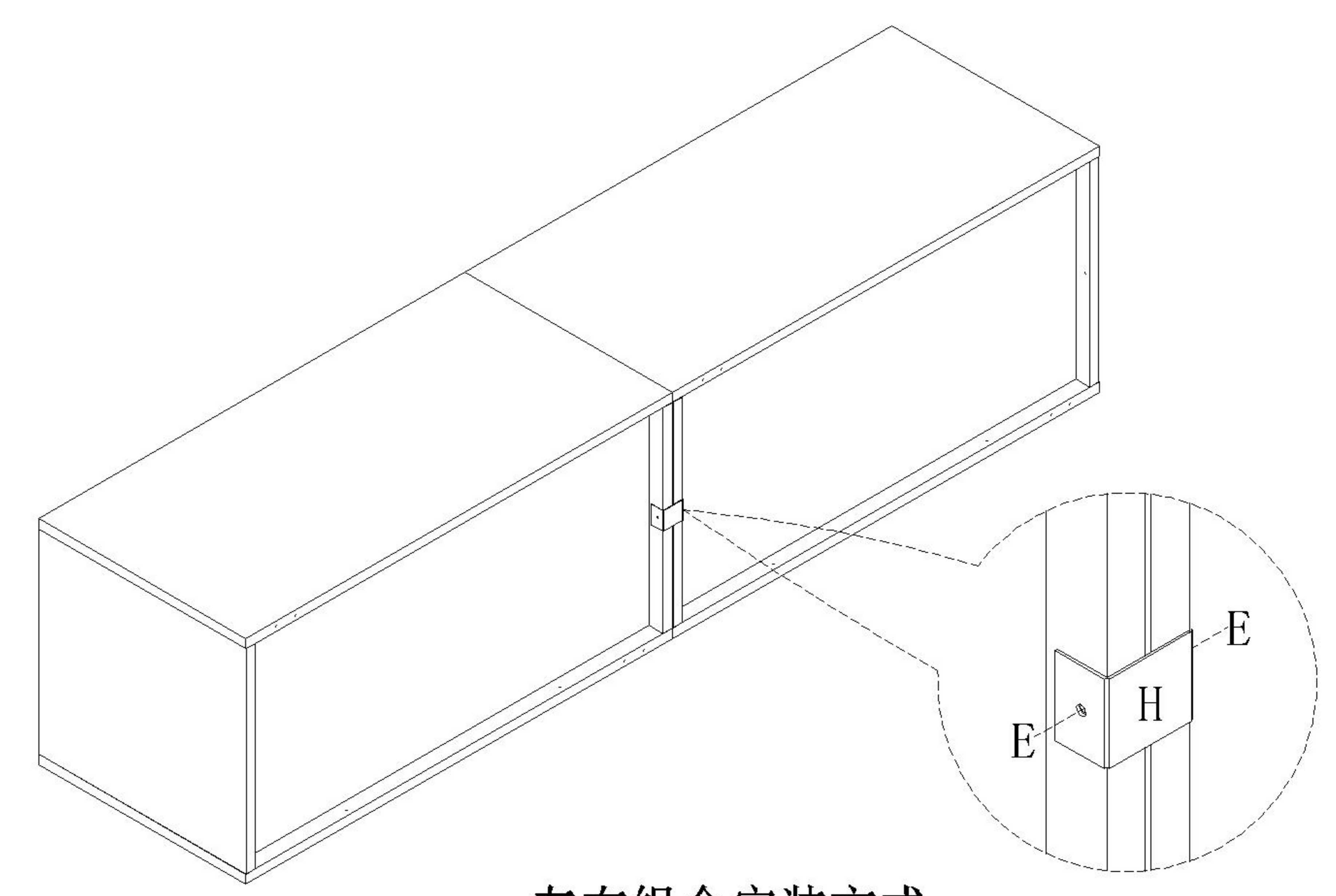
安装方法 Installation method

-  (E)*4
-  (H)*2

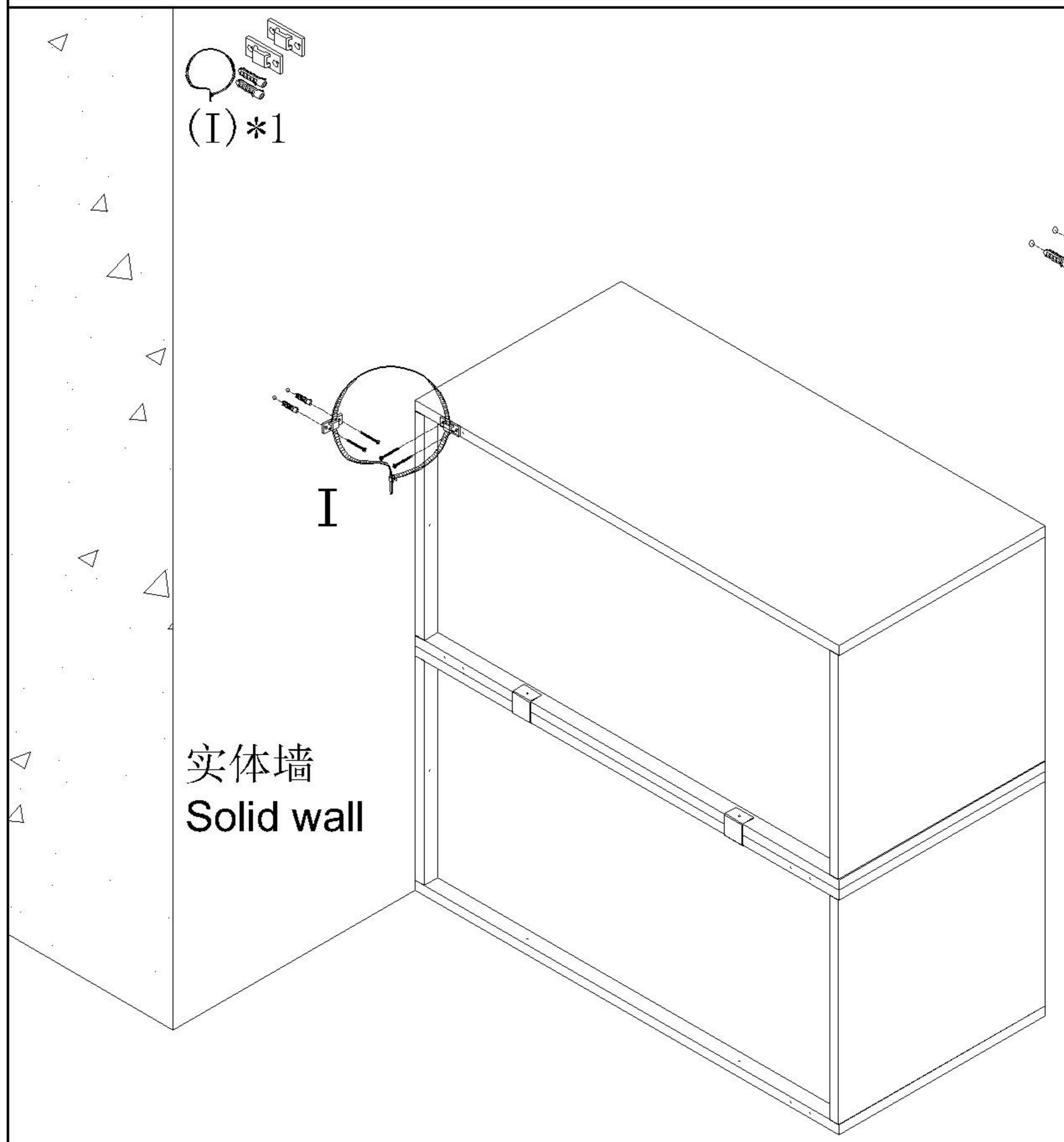
组合连接方式, 如只购买单个柜体无需安装
Combination connection method, such as purchasing only a single cabinet without installation



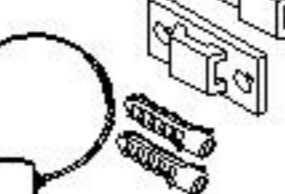
上下组合安装方式
Upper and lower combination installation method

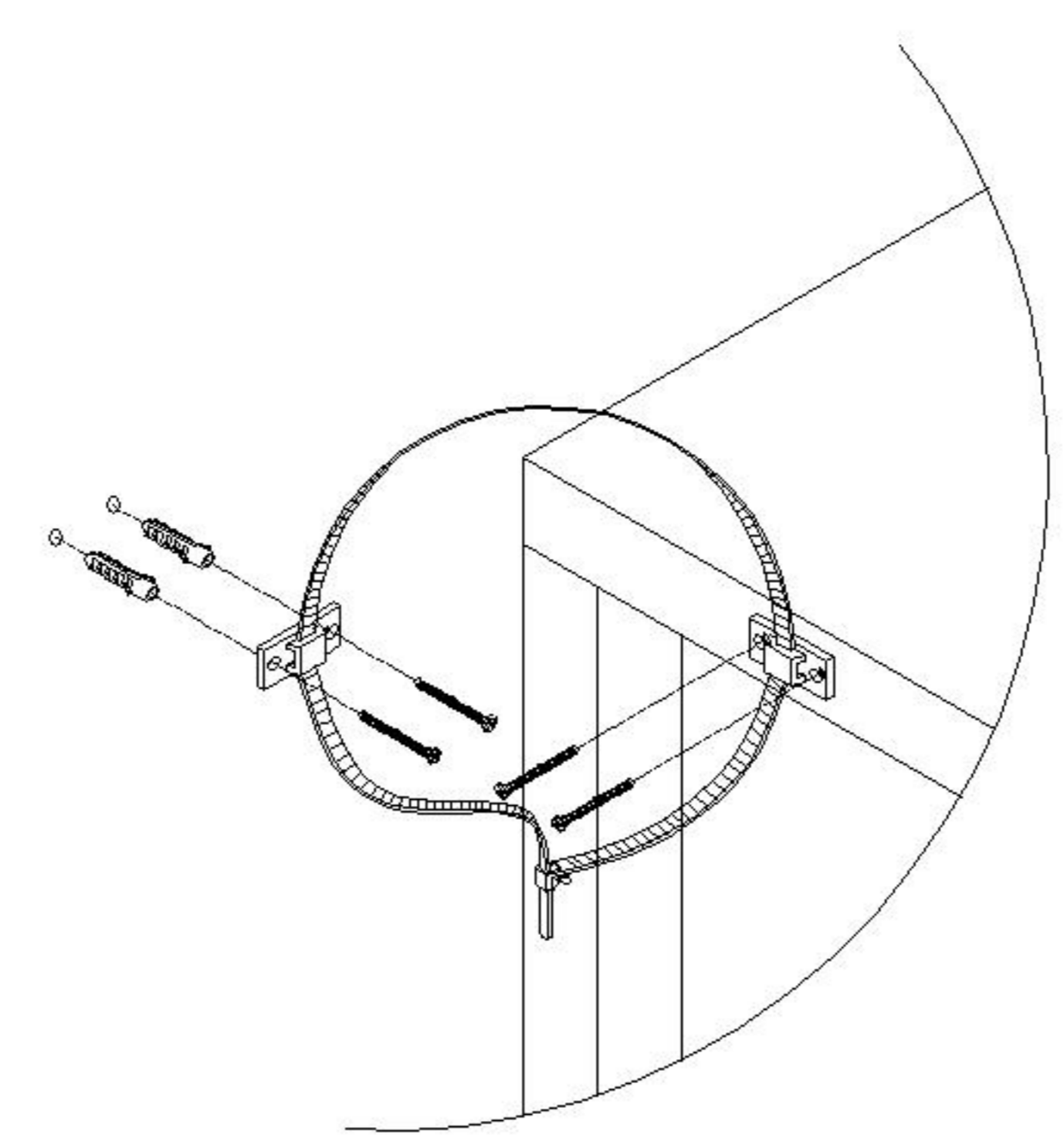


左右组合安装方式
Left and right combination installation method



实体墙
Solid wall

-  (I)*1



柜子组合高度超600MM
需安装上防倒器
Cabinet combination height exceeding 600MM requires installation of an anti fall device

