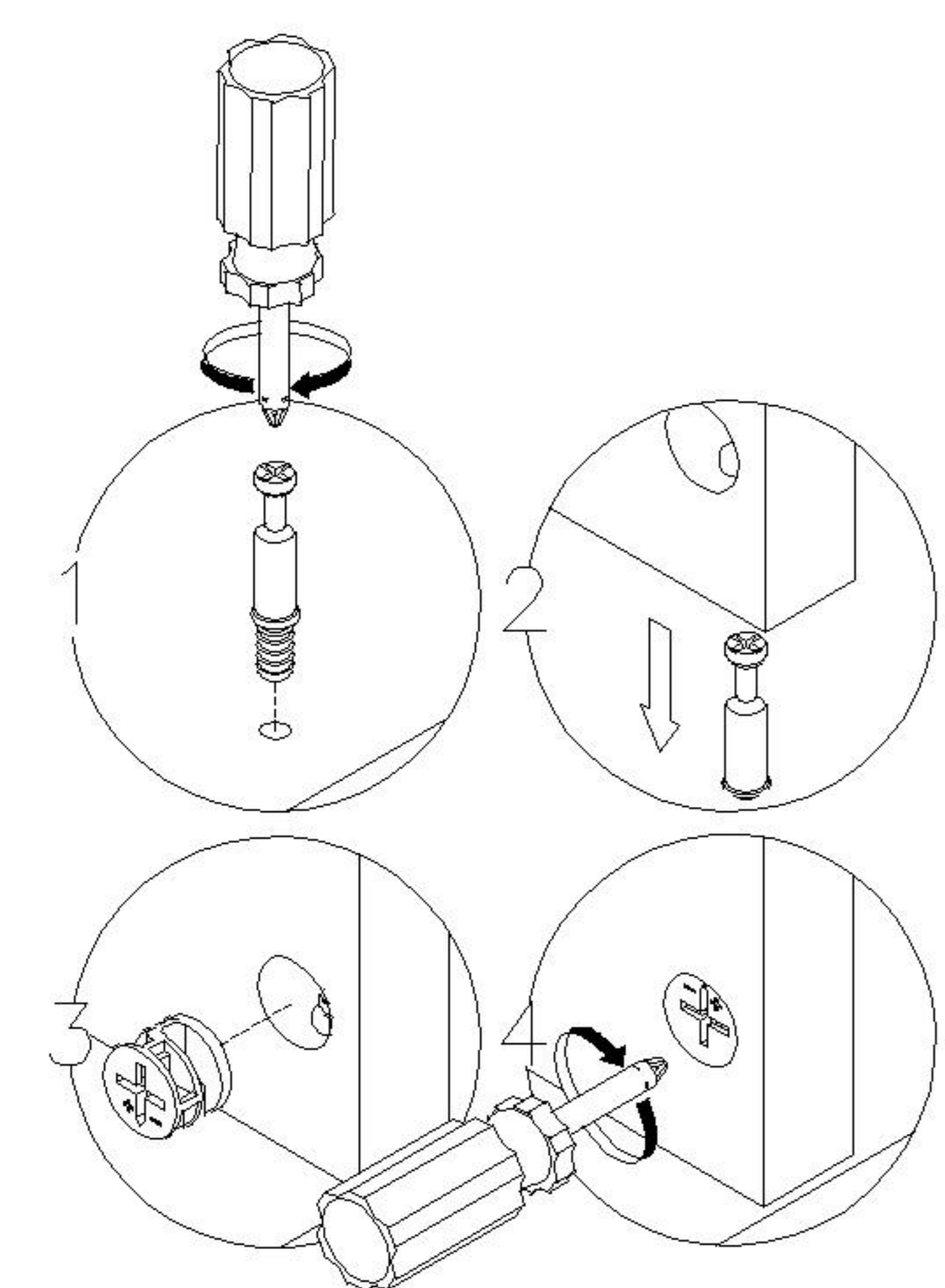
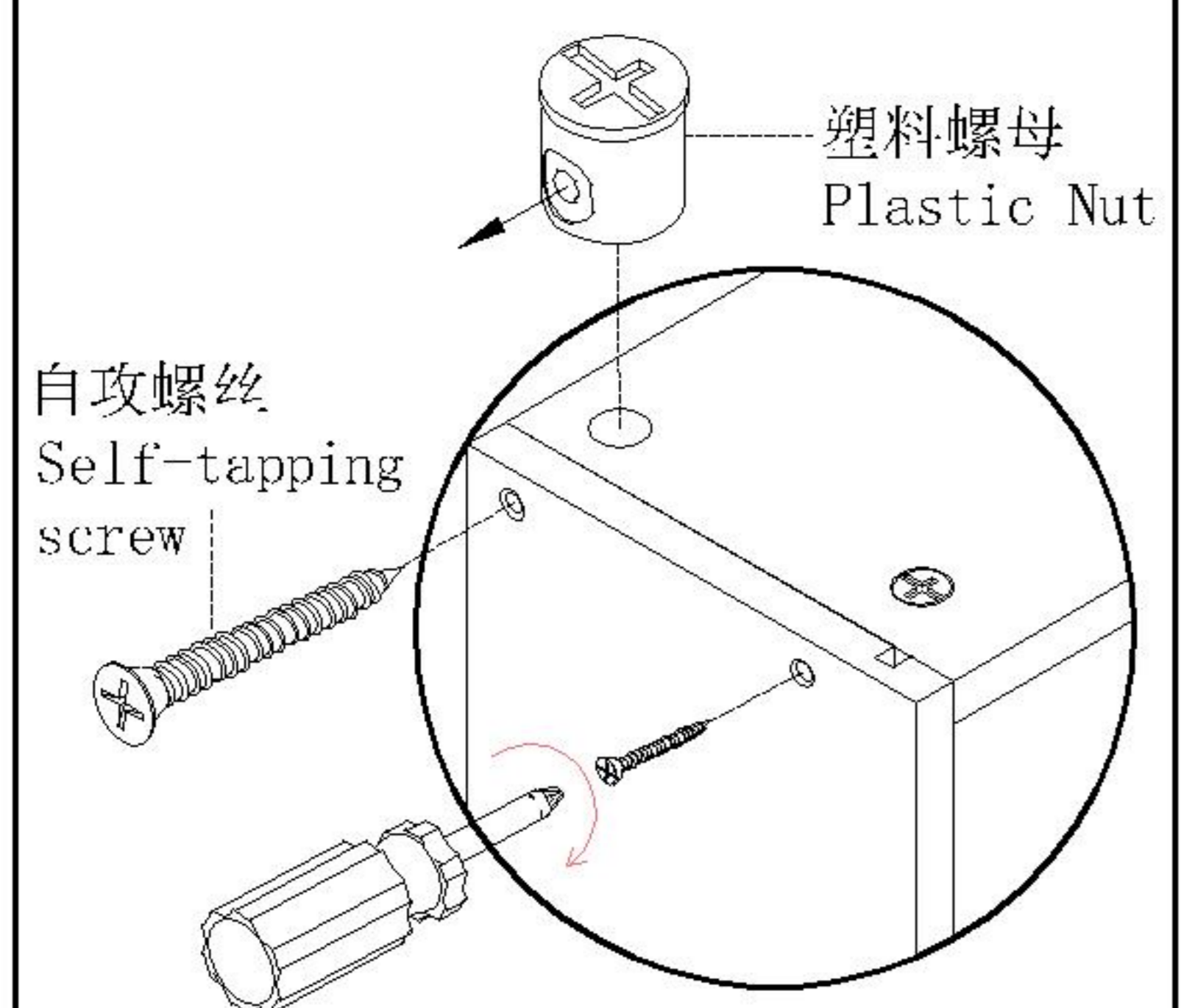


KQ1X-A

安装方法 Installation method

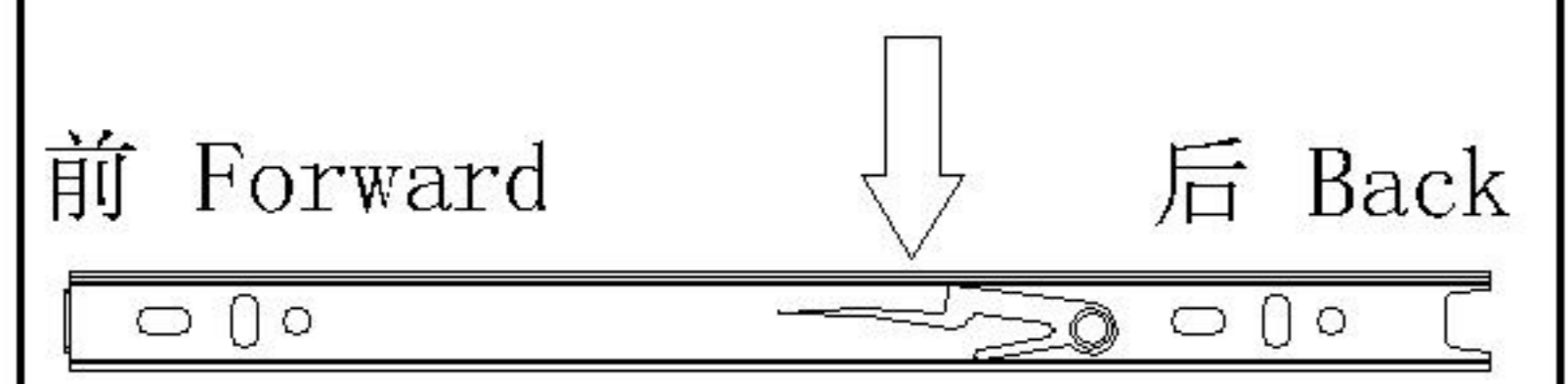


二合一
two-in-one

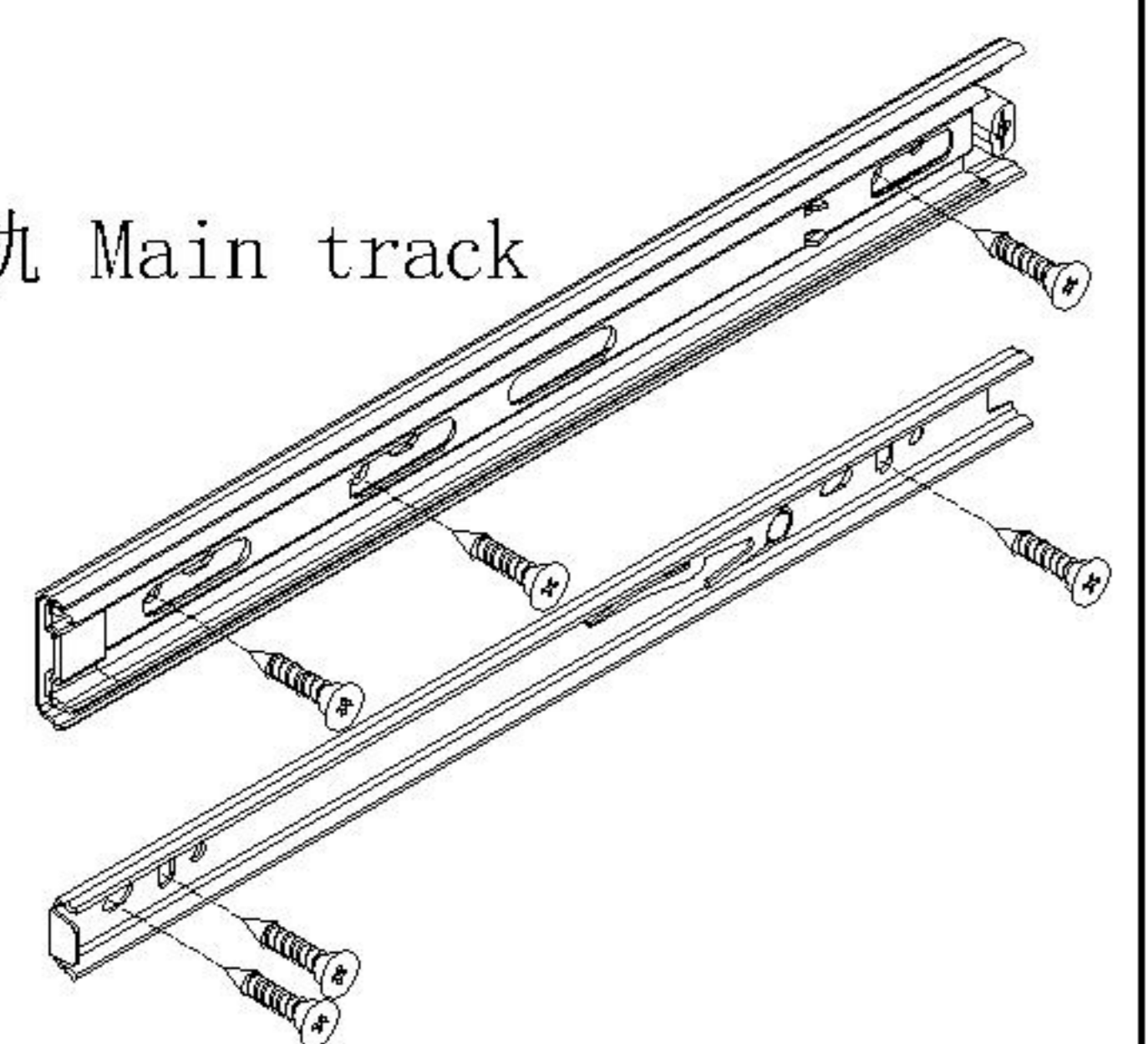


塑料螺母
Plastic Nut

阀门开关(下压为开)
Valve switch (press down to open)

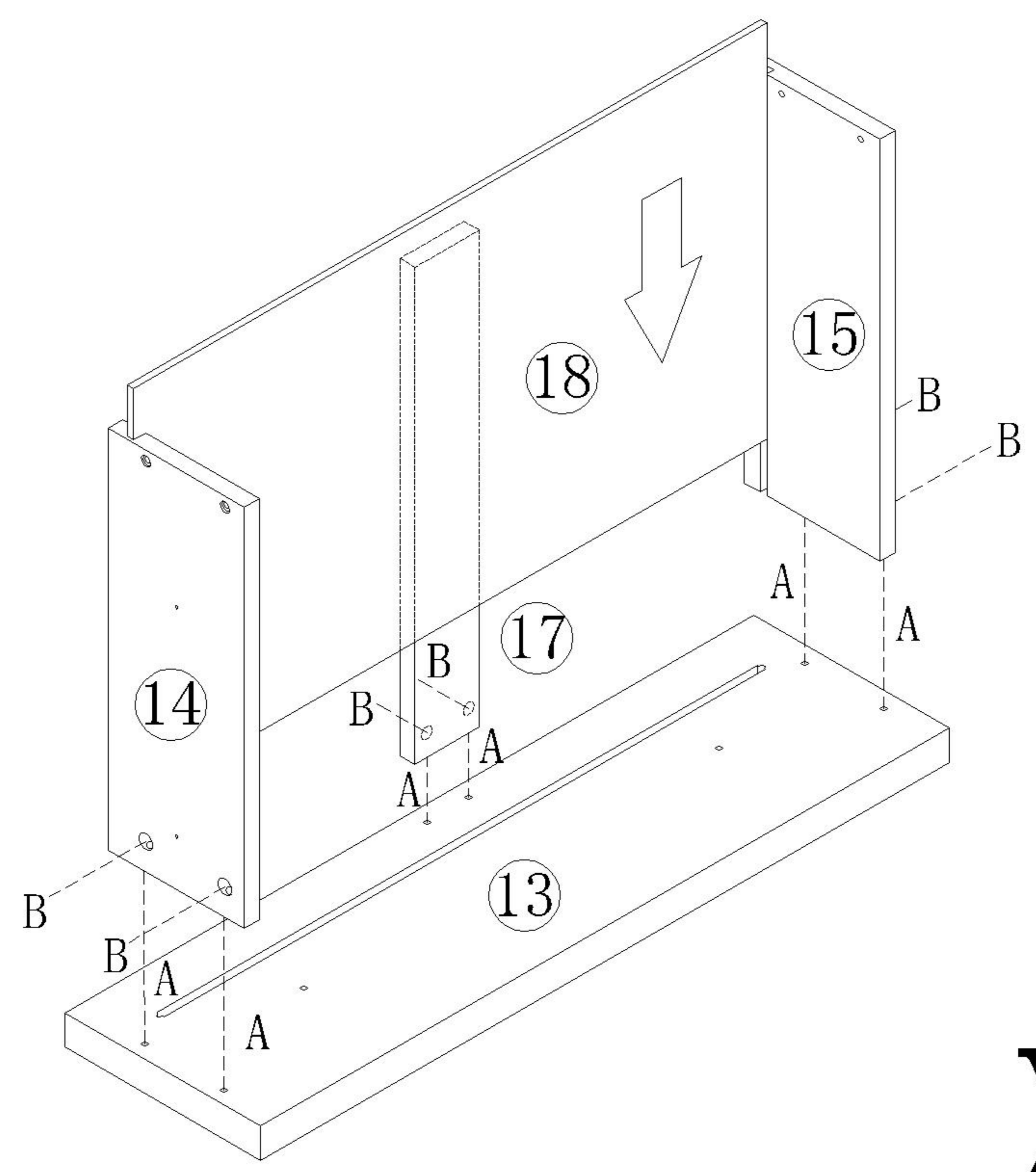


主轨 Main track



三节滚珠导轨-10"
Three-section rail

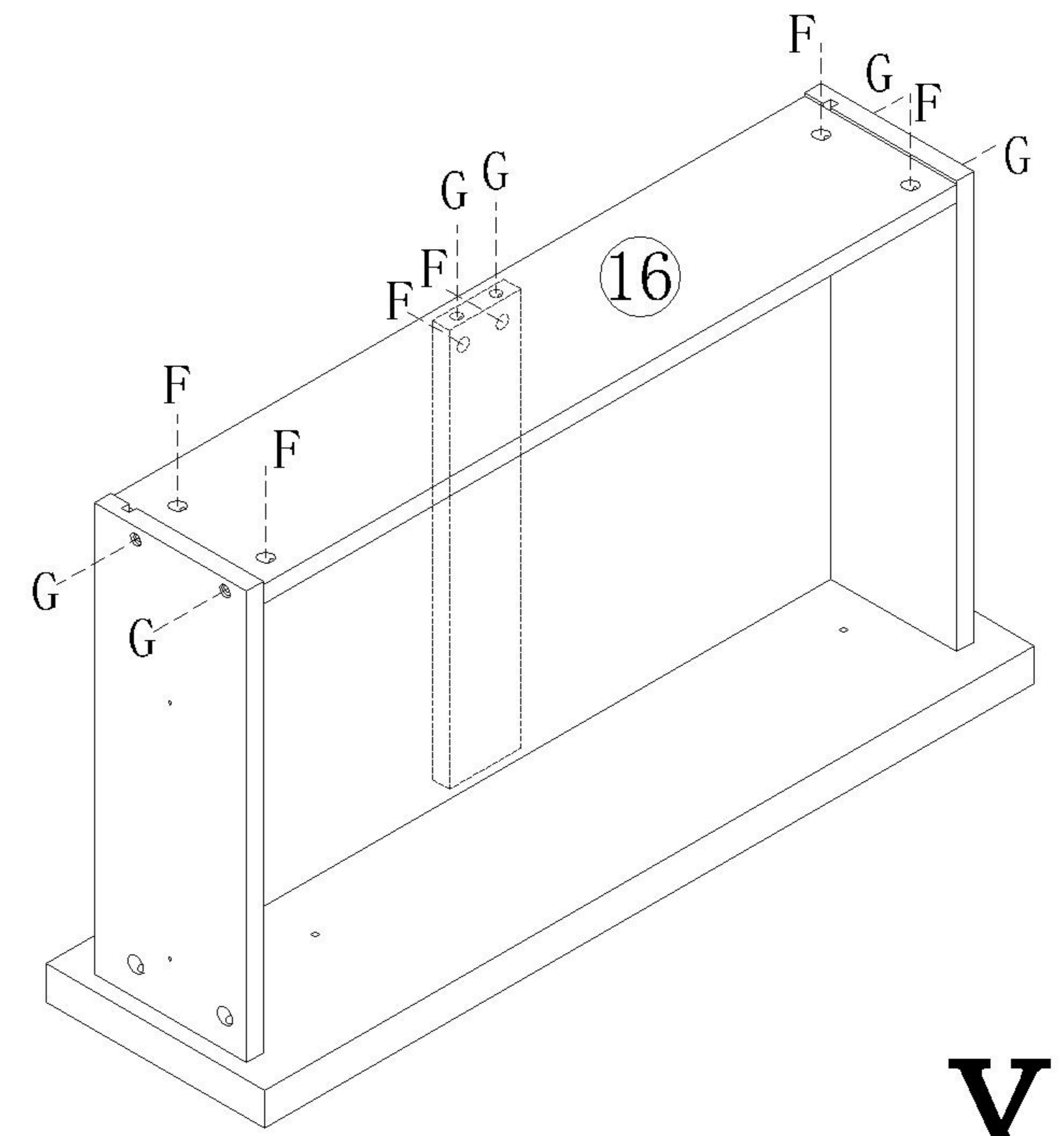
- (A)*18
- (B)*18



X3

1

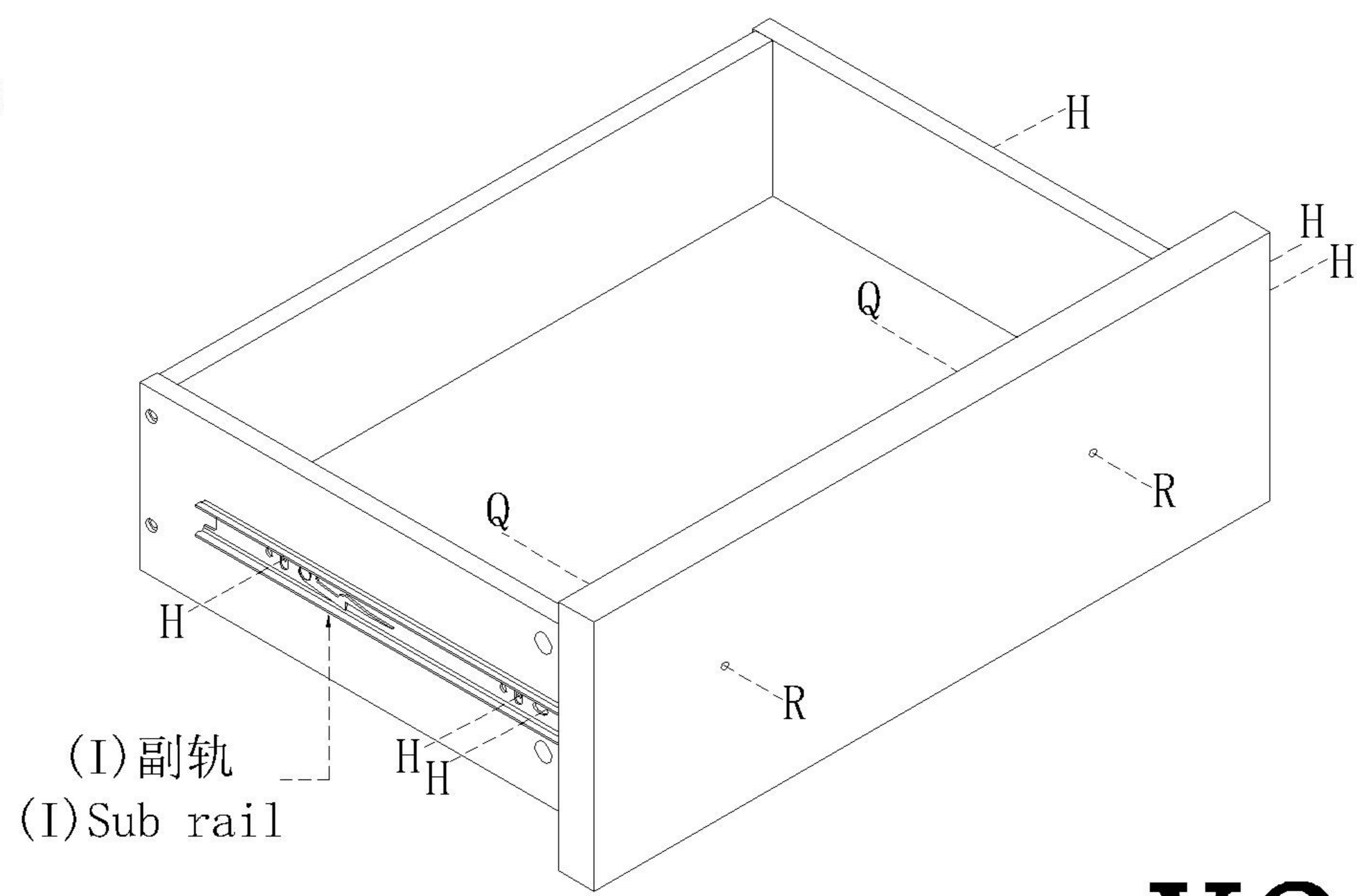
- (F)*18
- (G)*18



X3

2

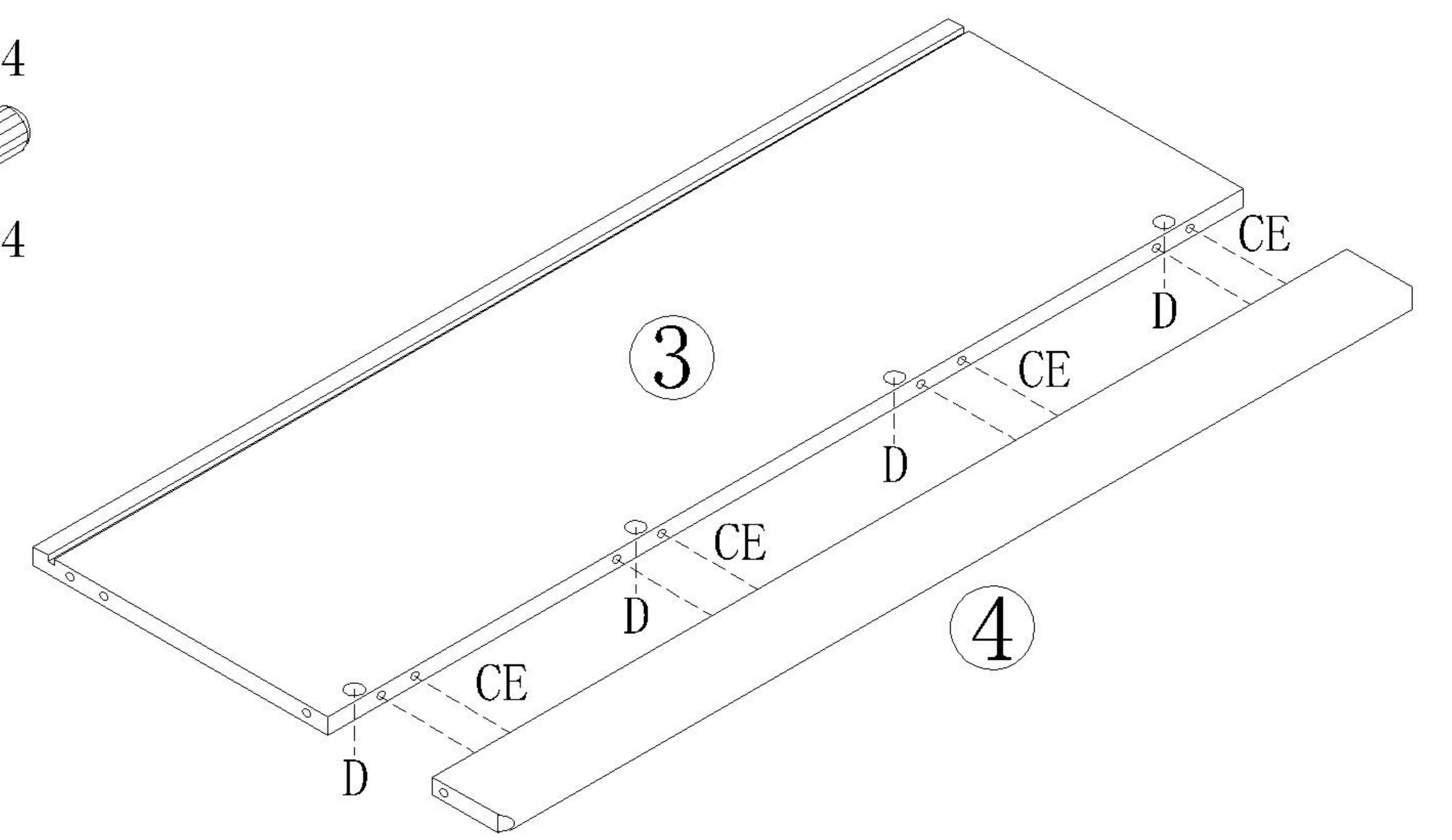
- (Q)*6
- (H)*18
- (R)*6
- (I)*3



X3

3

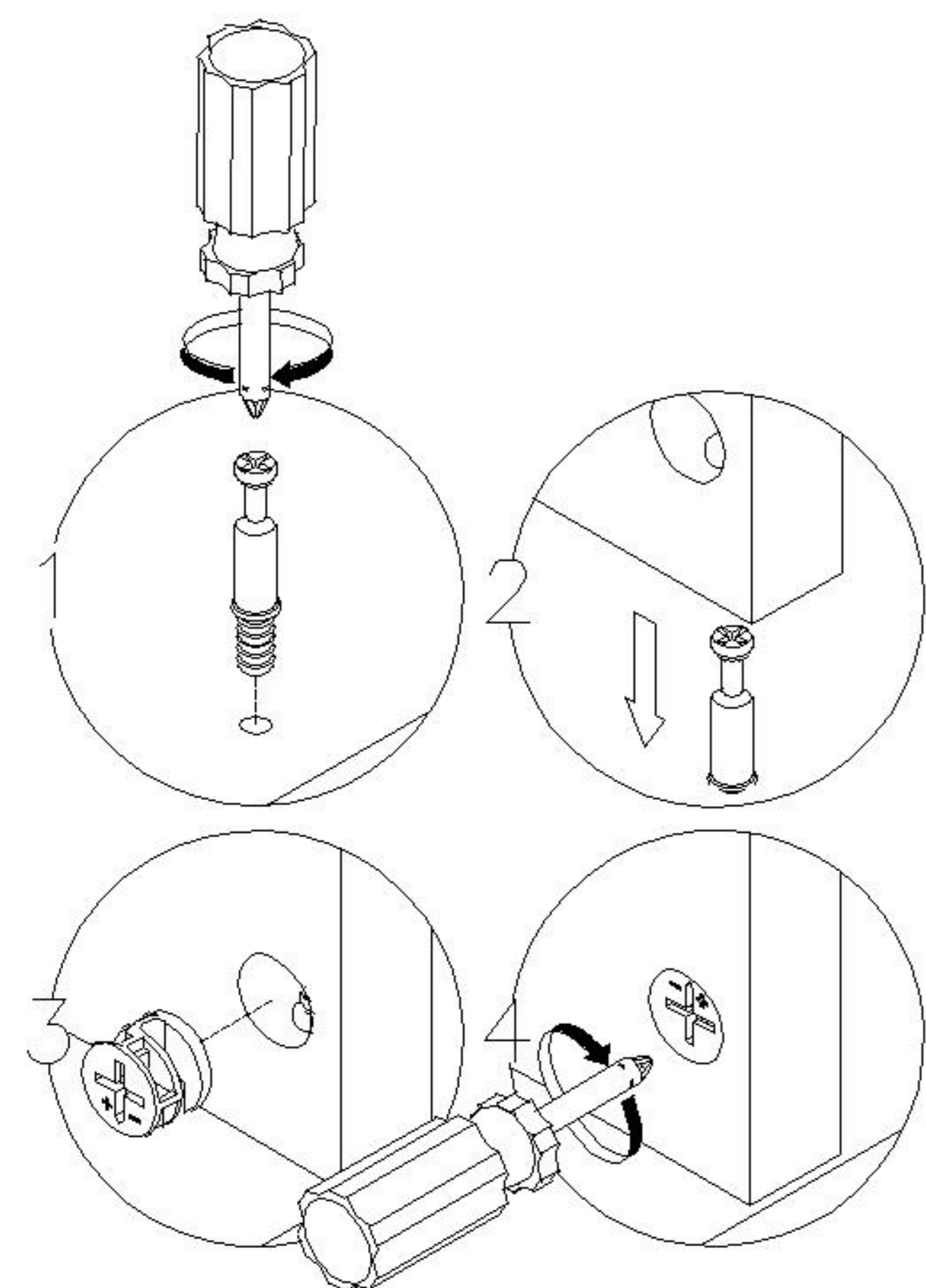
- (C)*4
- (D)*4
- (E)*4



4

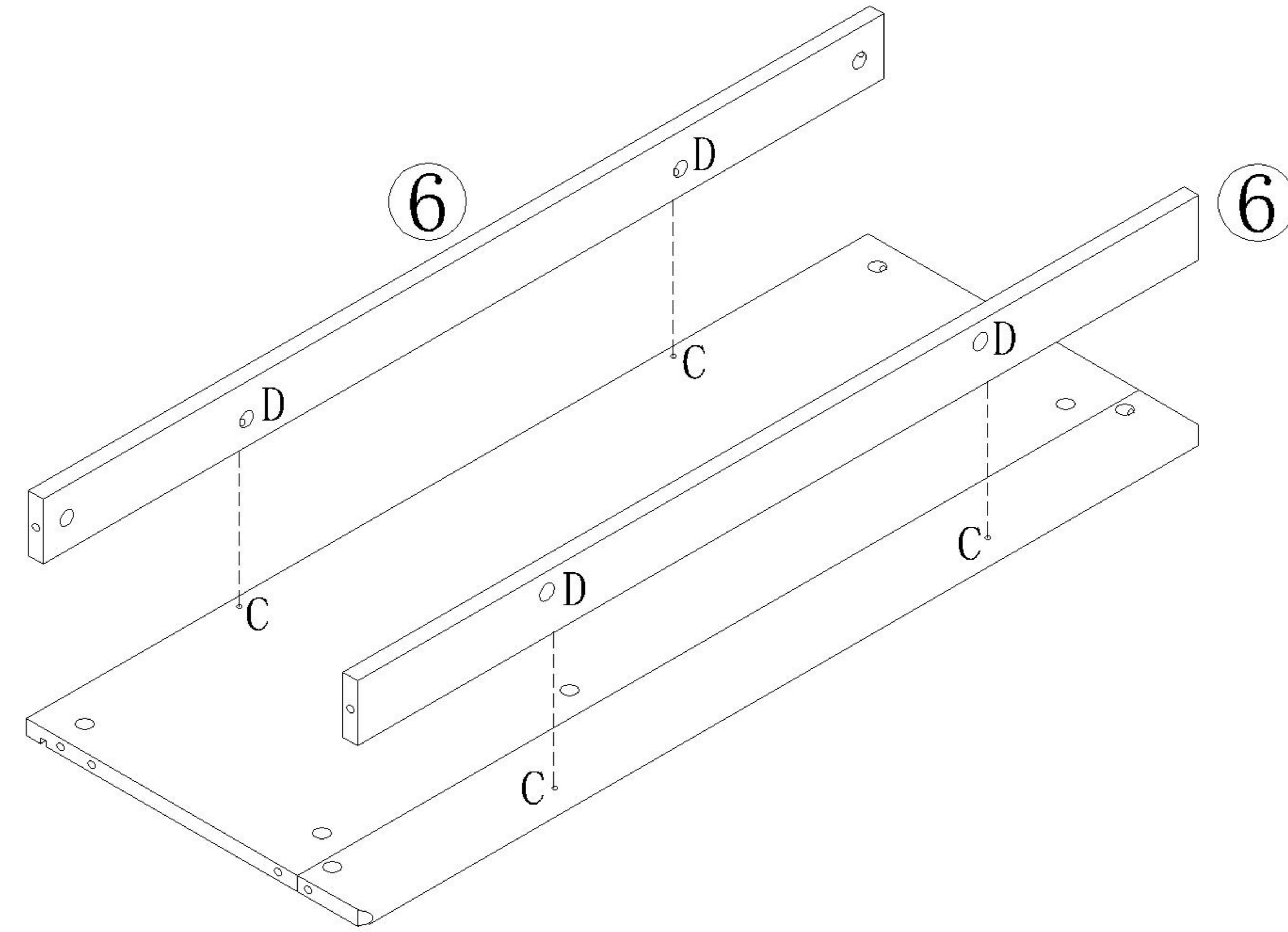
KQ1X-A

安装方法 Installation method

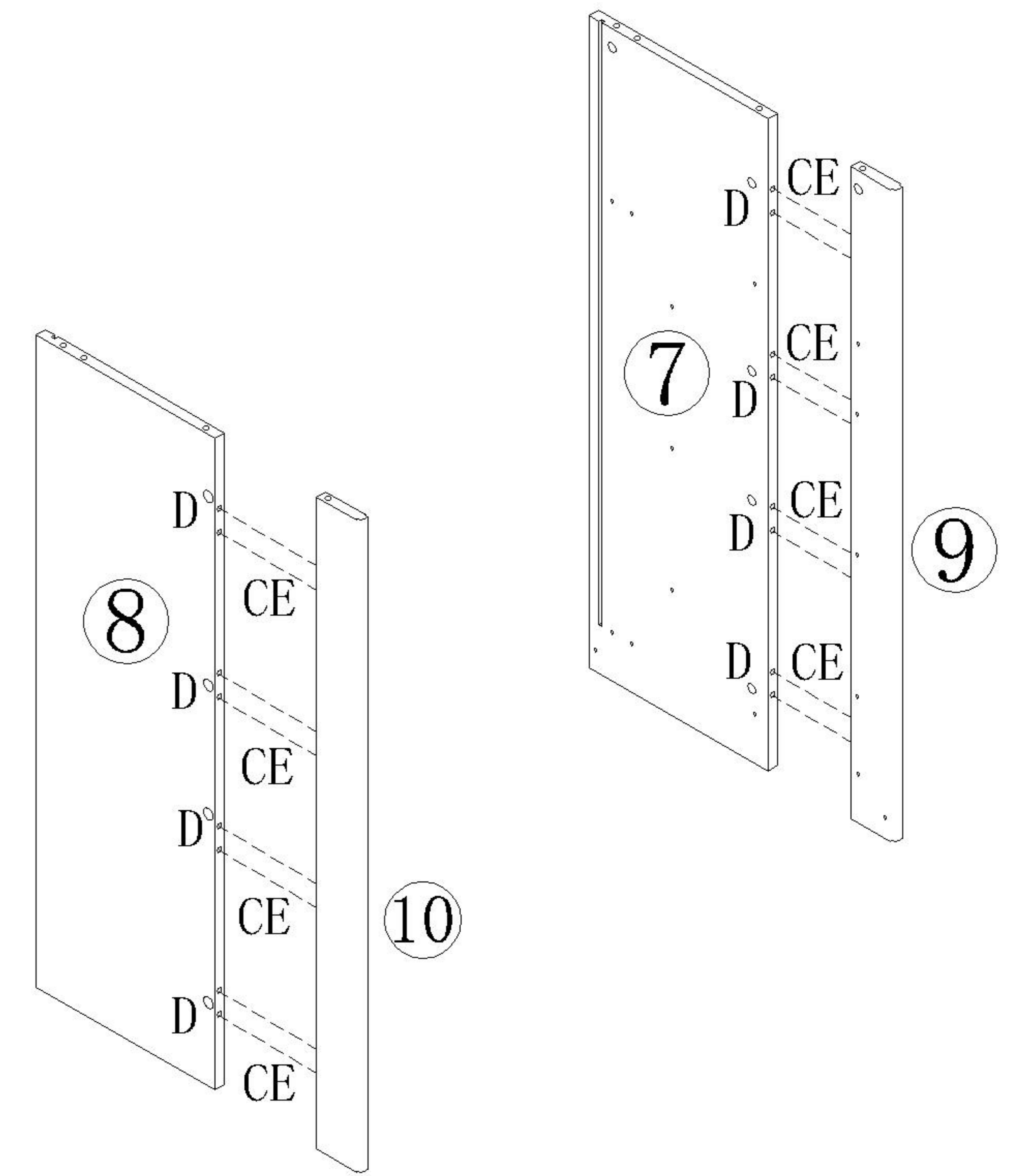


二合一
two-in-one

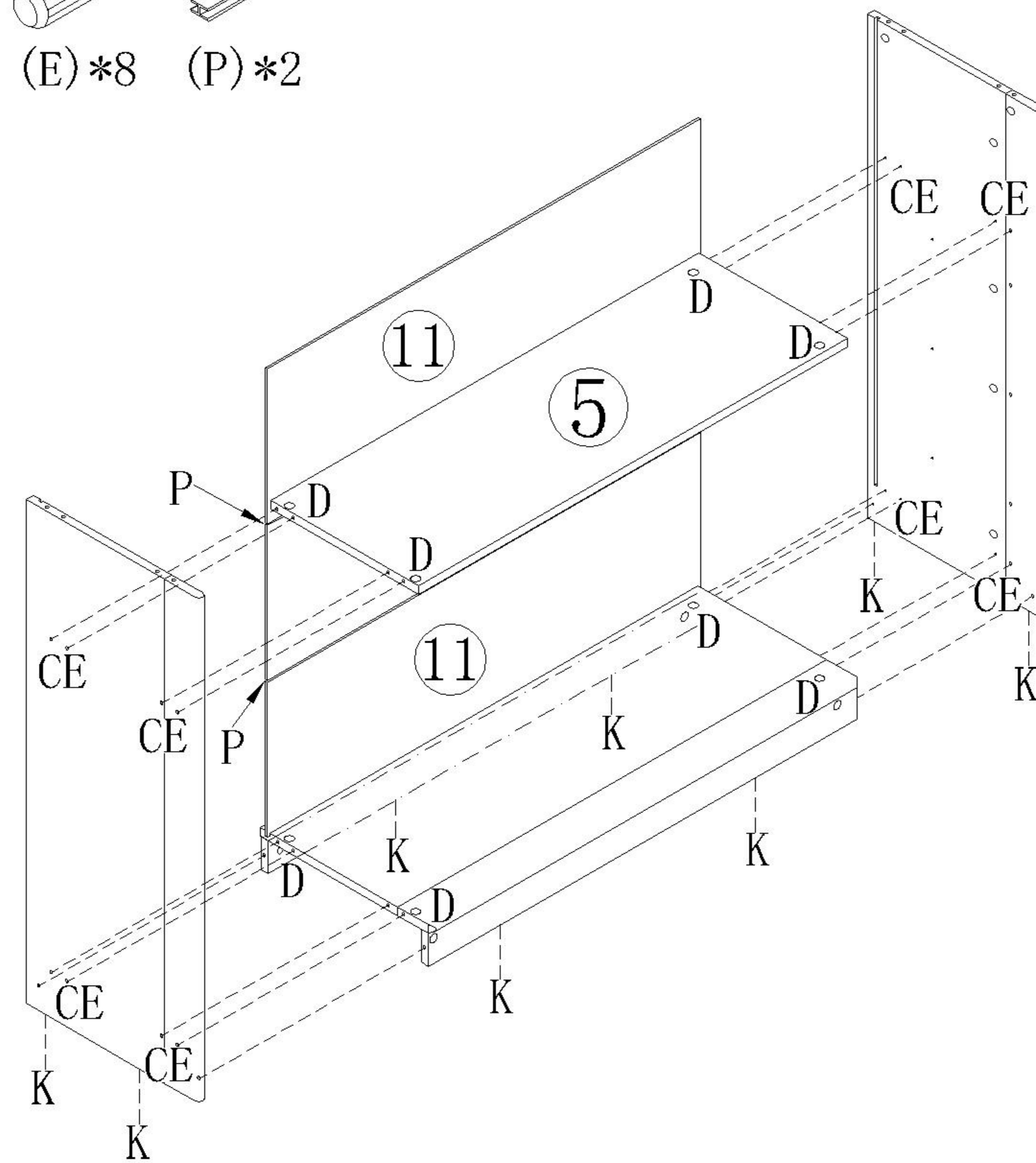
- (C)*4
- (D)*4



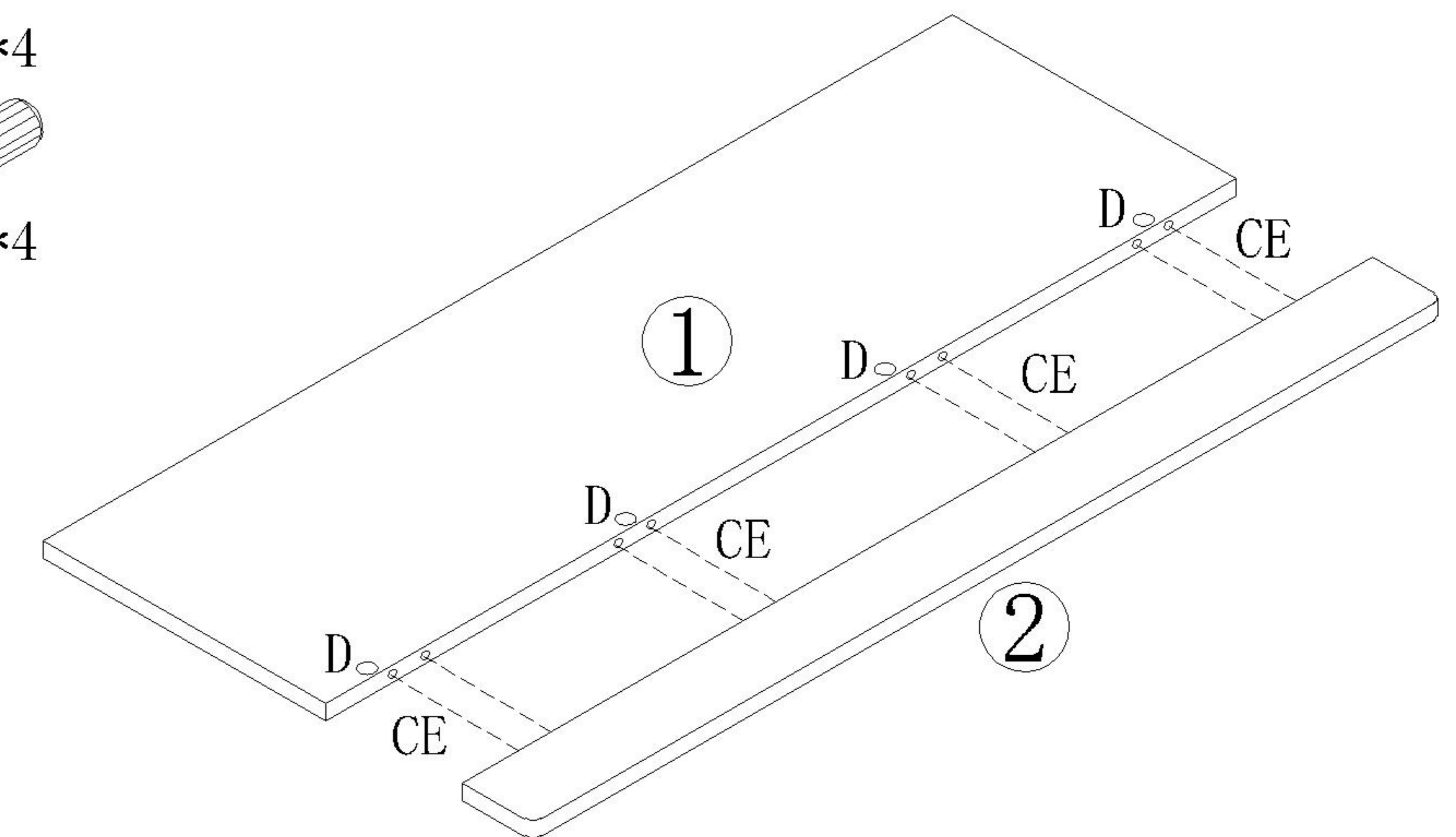
- (C)*8
- (D)*8
- (E)*8



- (C)*12
- (D)*12
- (E)*8
- (P)*2
- (K)*8

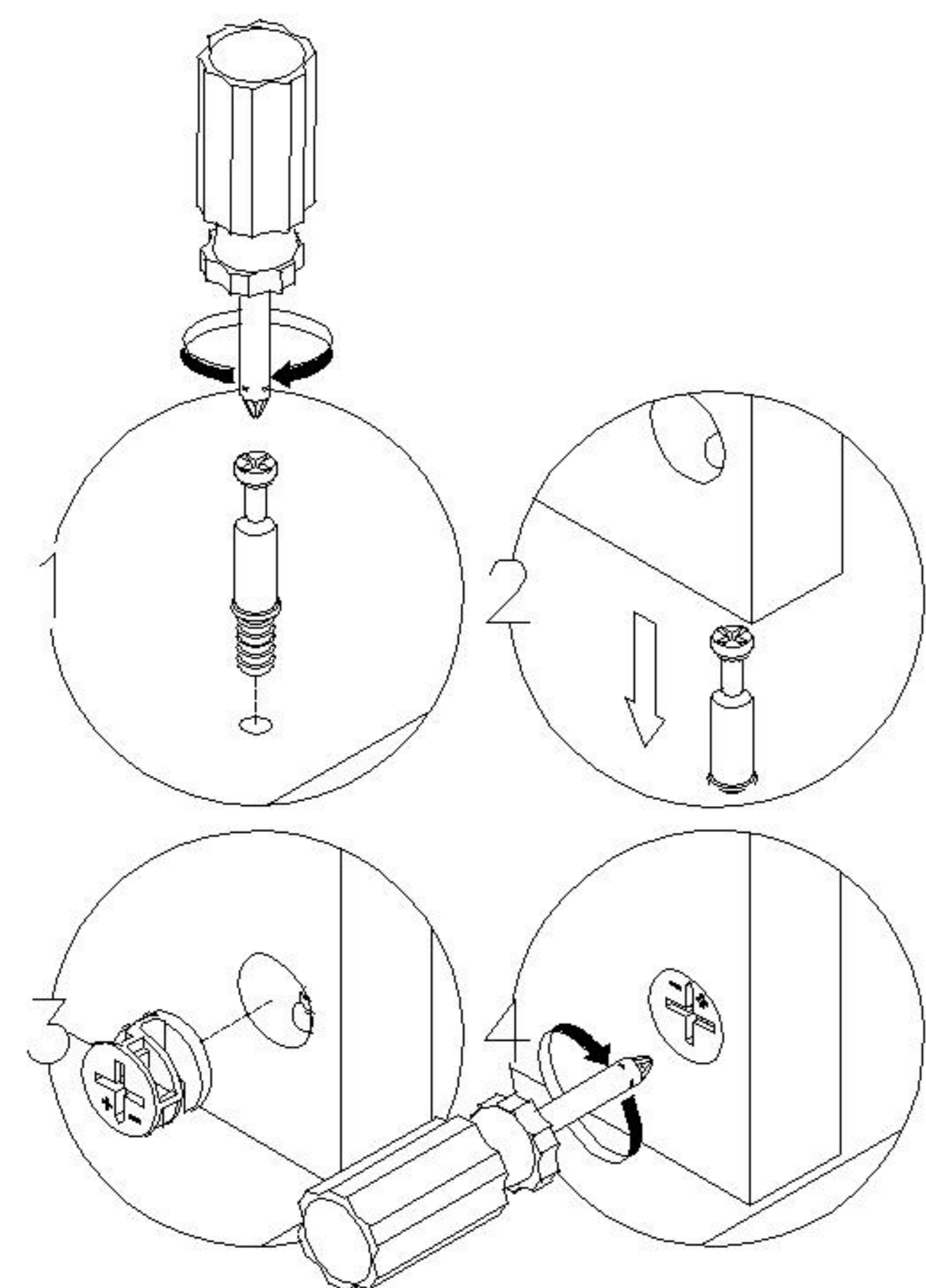


- (C)*4
- (D)*4
- (E)*4

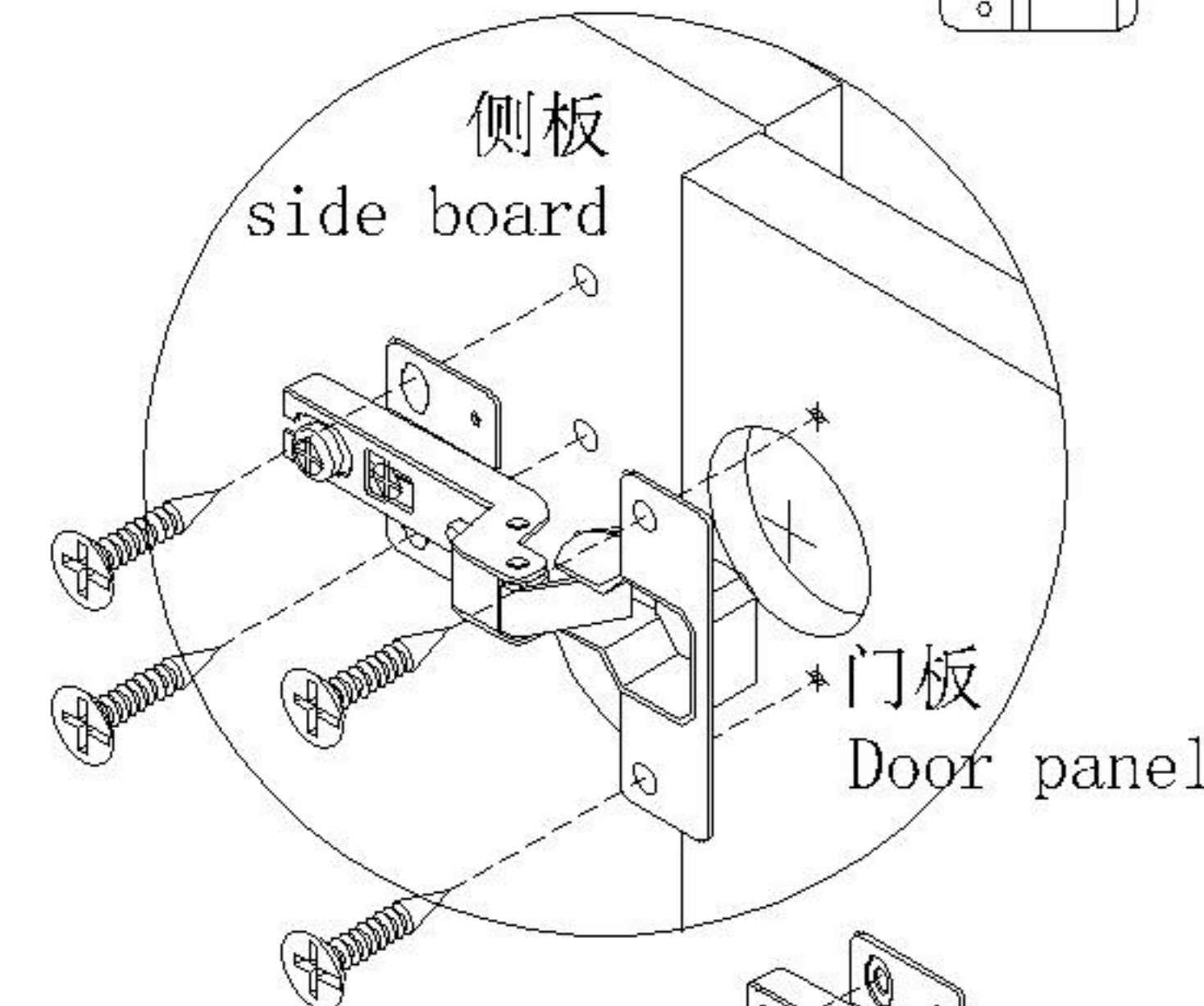
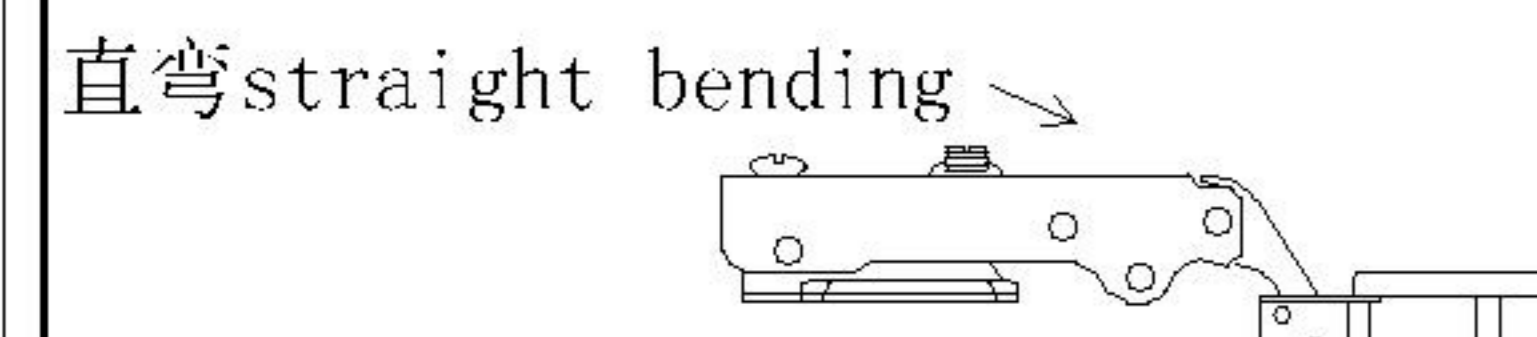
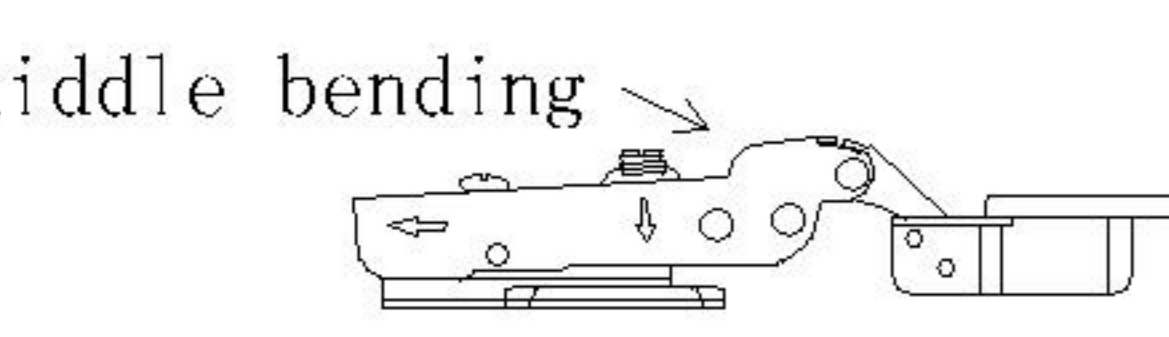
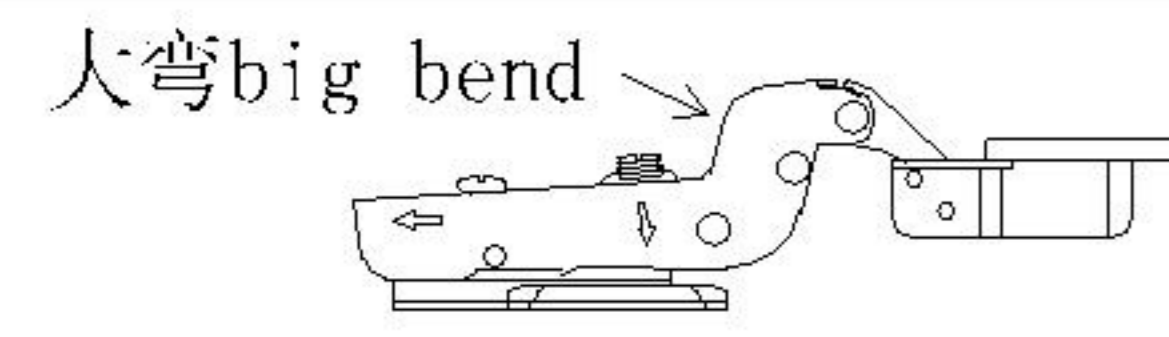


KQ1X-A

安装方法 Installation method



二合一
two-in-one



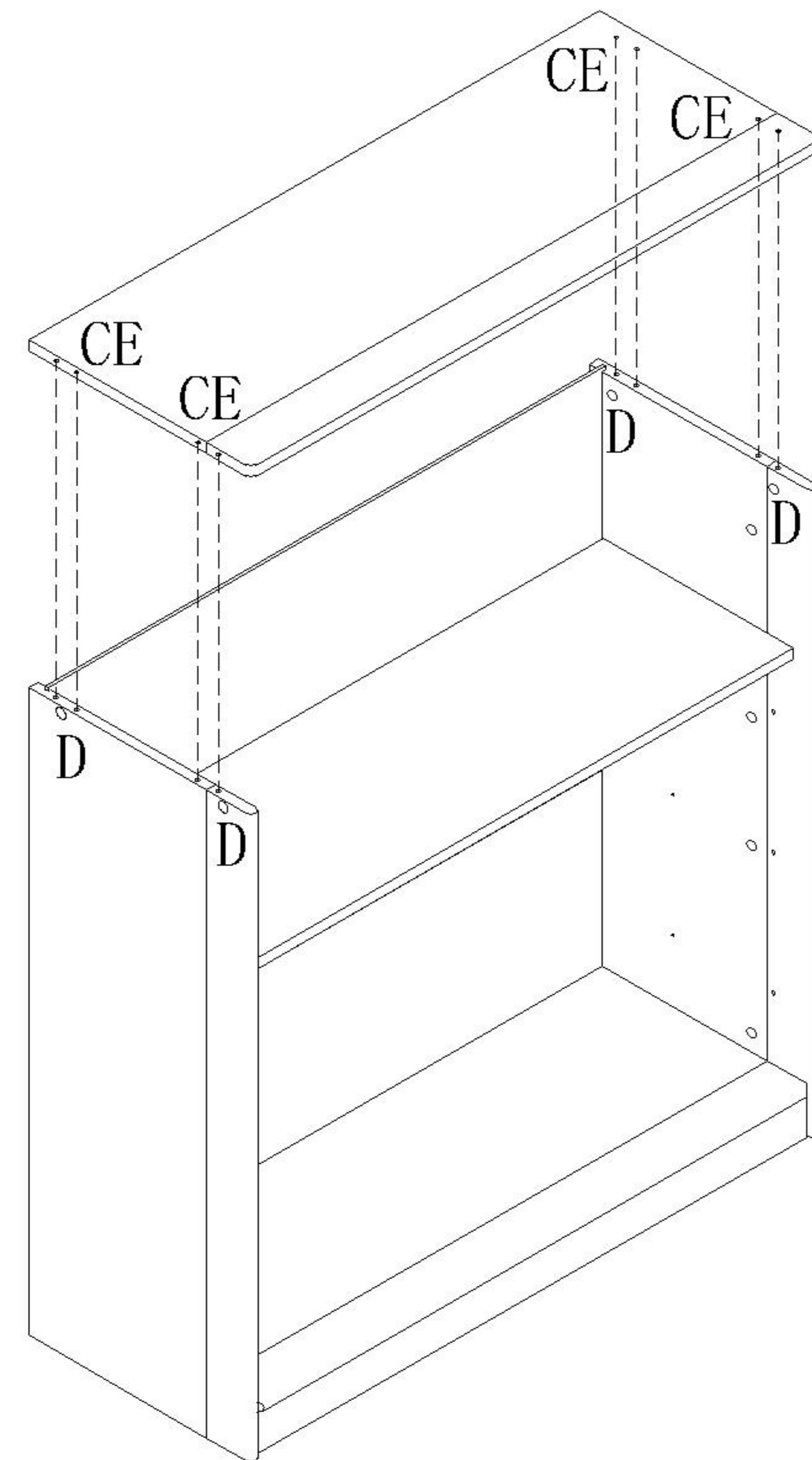
调节上下
Adjust up and down

调节左右
Adjust left and right

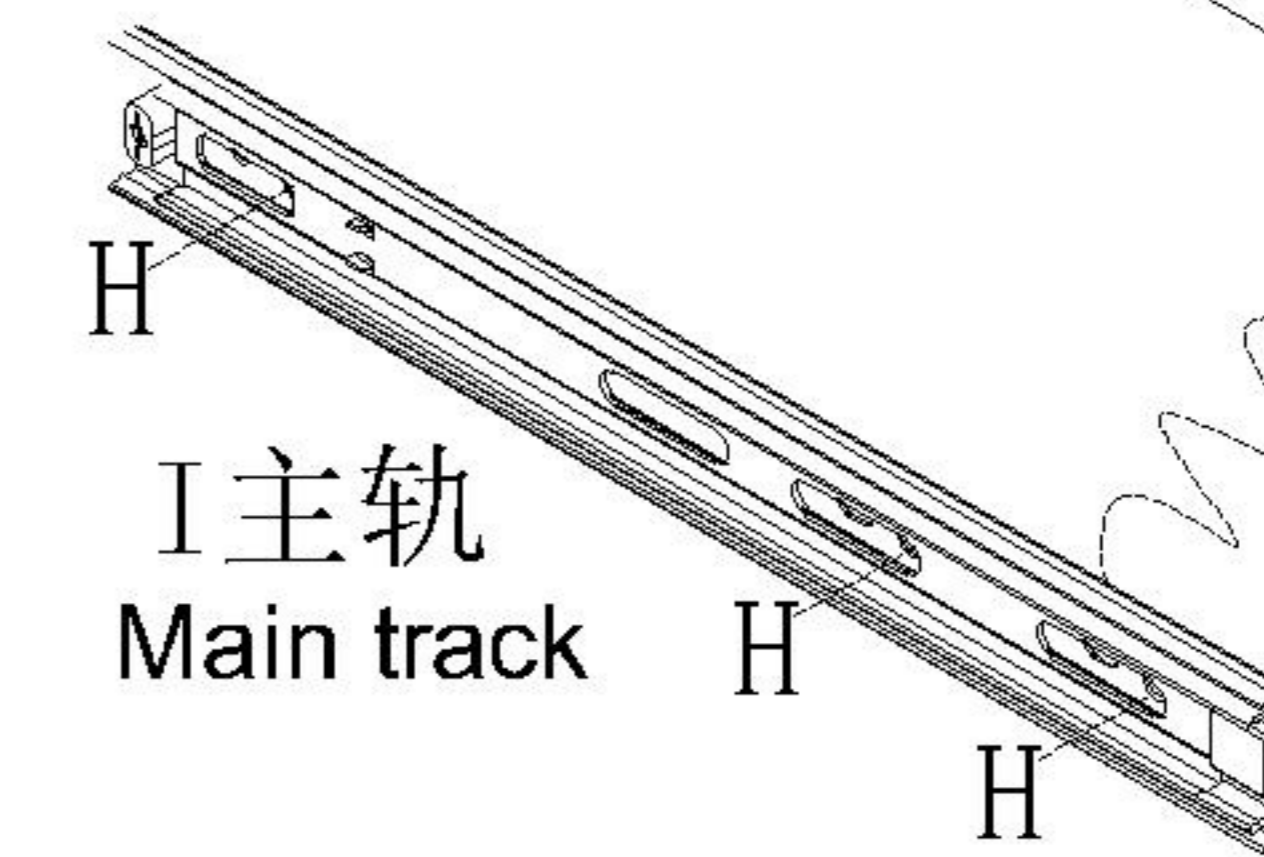
调节前后
Before and after adjustment

门铰
Hinge

- (C)*4
- (D)*4
- (E)*4

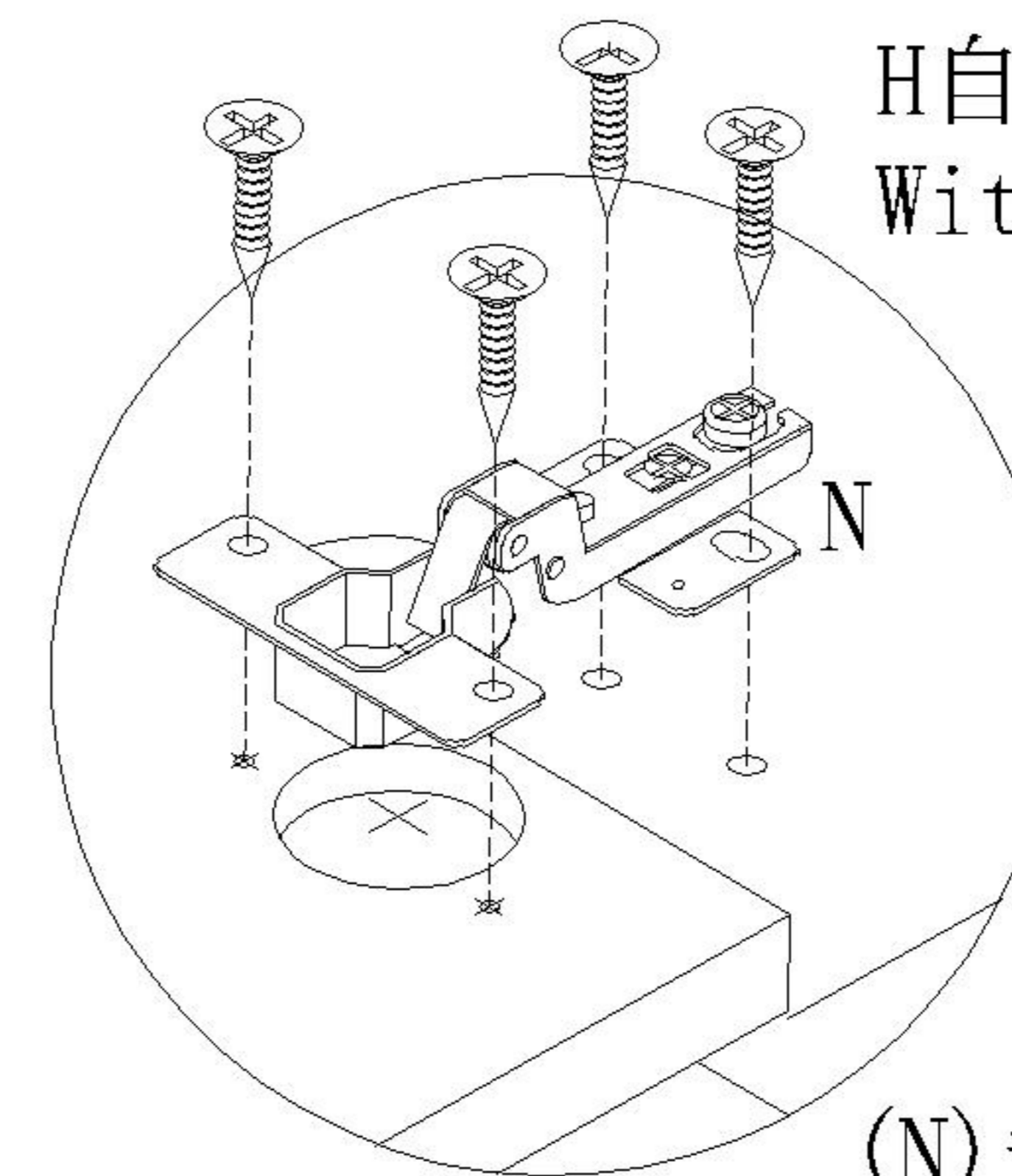
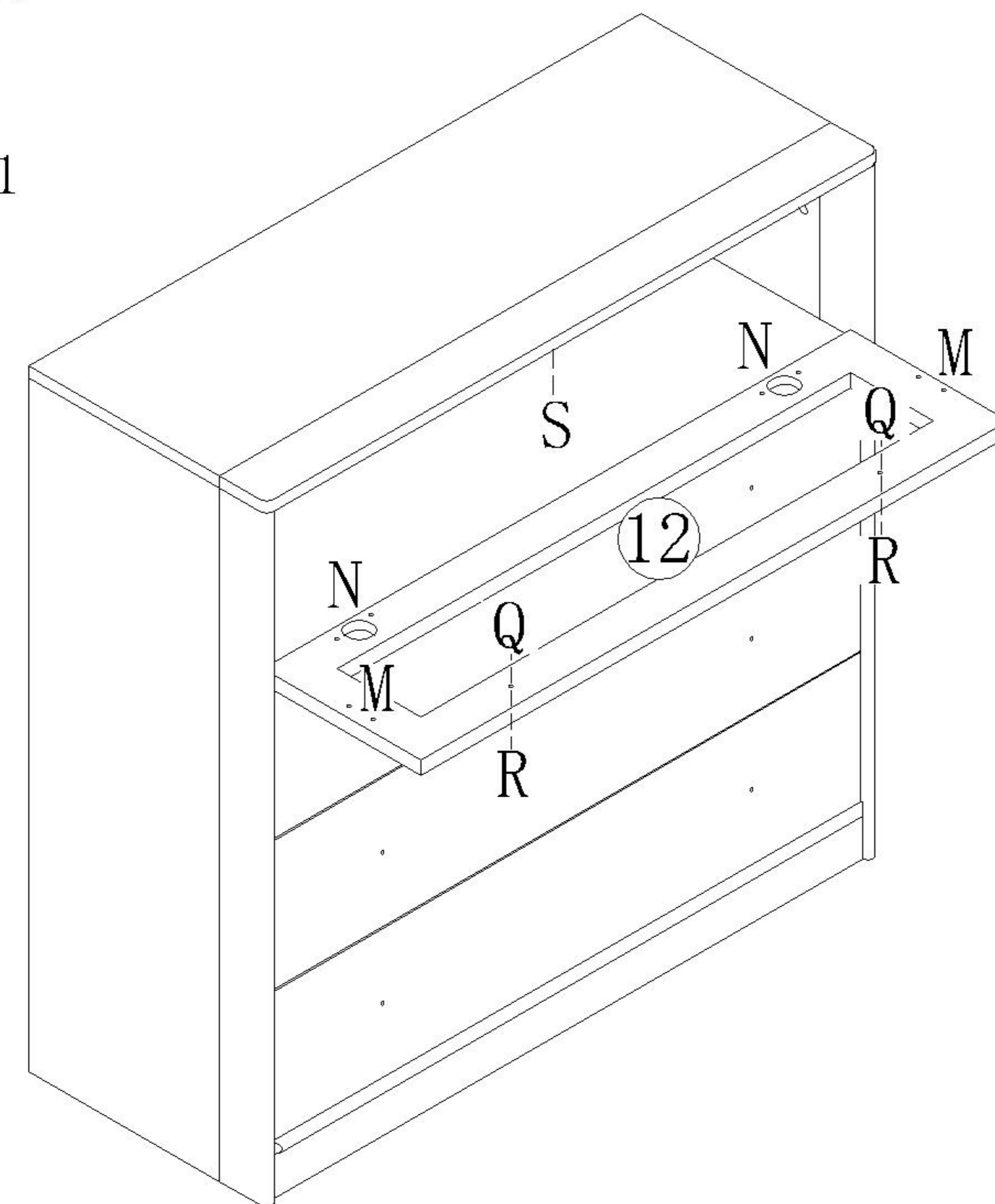


- (I)*3
- (H)*18



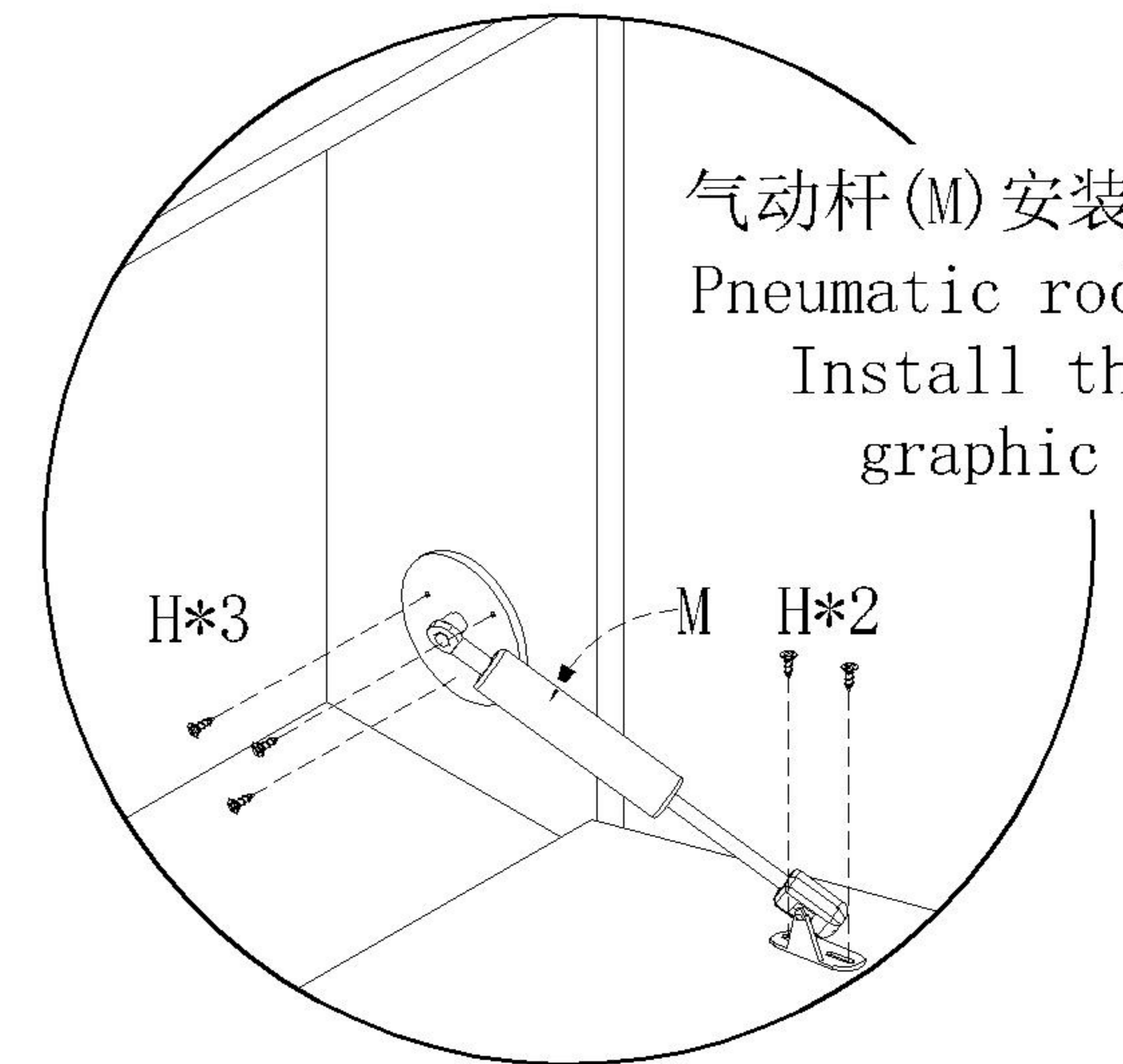
I主轨
Main track

- (N)*2
- (M)*2
- (H)*10
- (Q)*2
- (R)*2
- (S)*1



H自带螺丝
With screw

(N) 安装图示
(N) Installation diagram



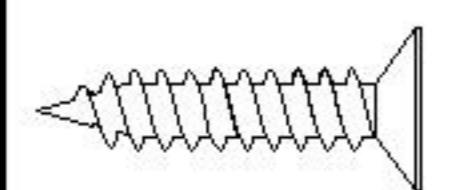
气动杆(M) 安装图示
Pneumatic rod (M)
Install the graphic

警告:门板与门板有设计所需的开启间隙,小心夹伤。
Warning: The door panel and the door panel have the required opening clearance, be careful of clamping injury.

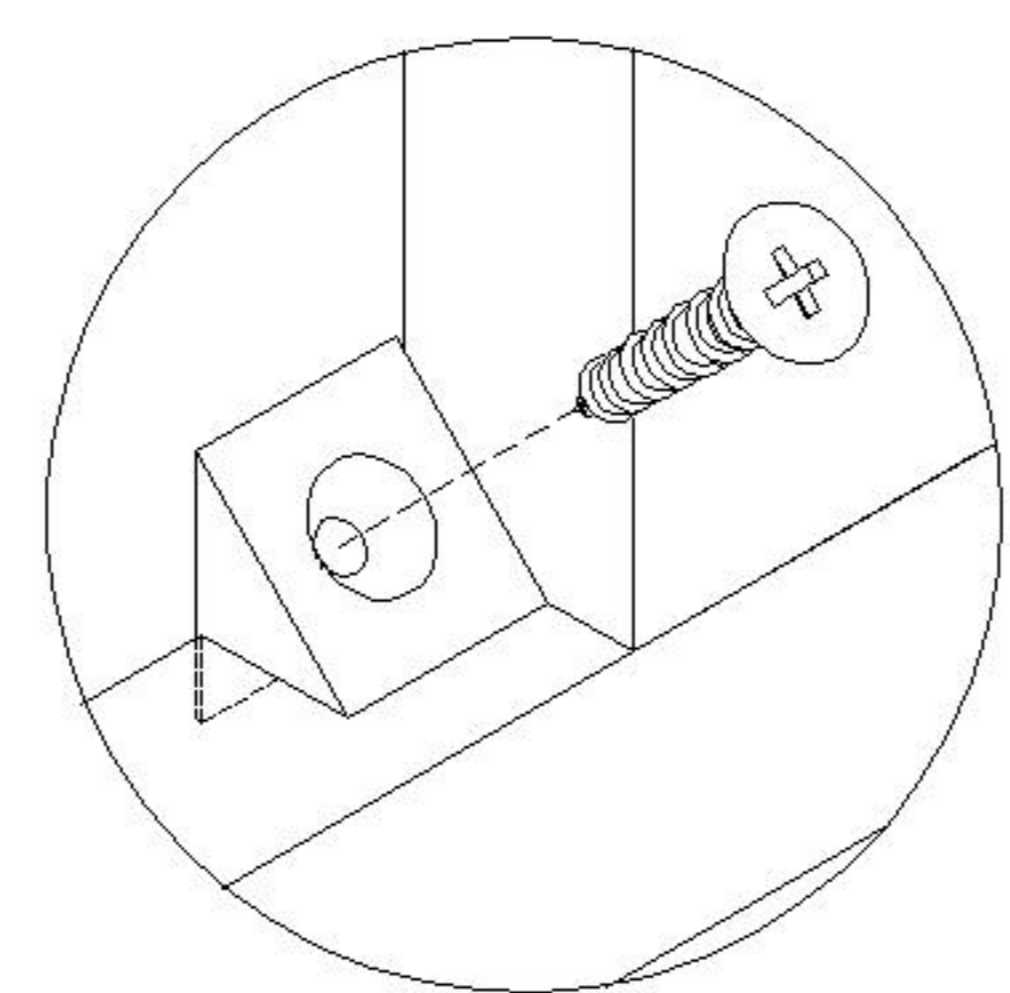
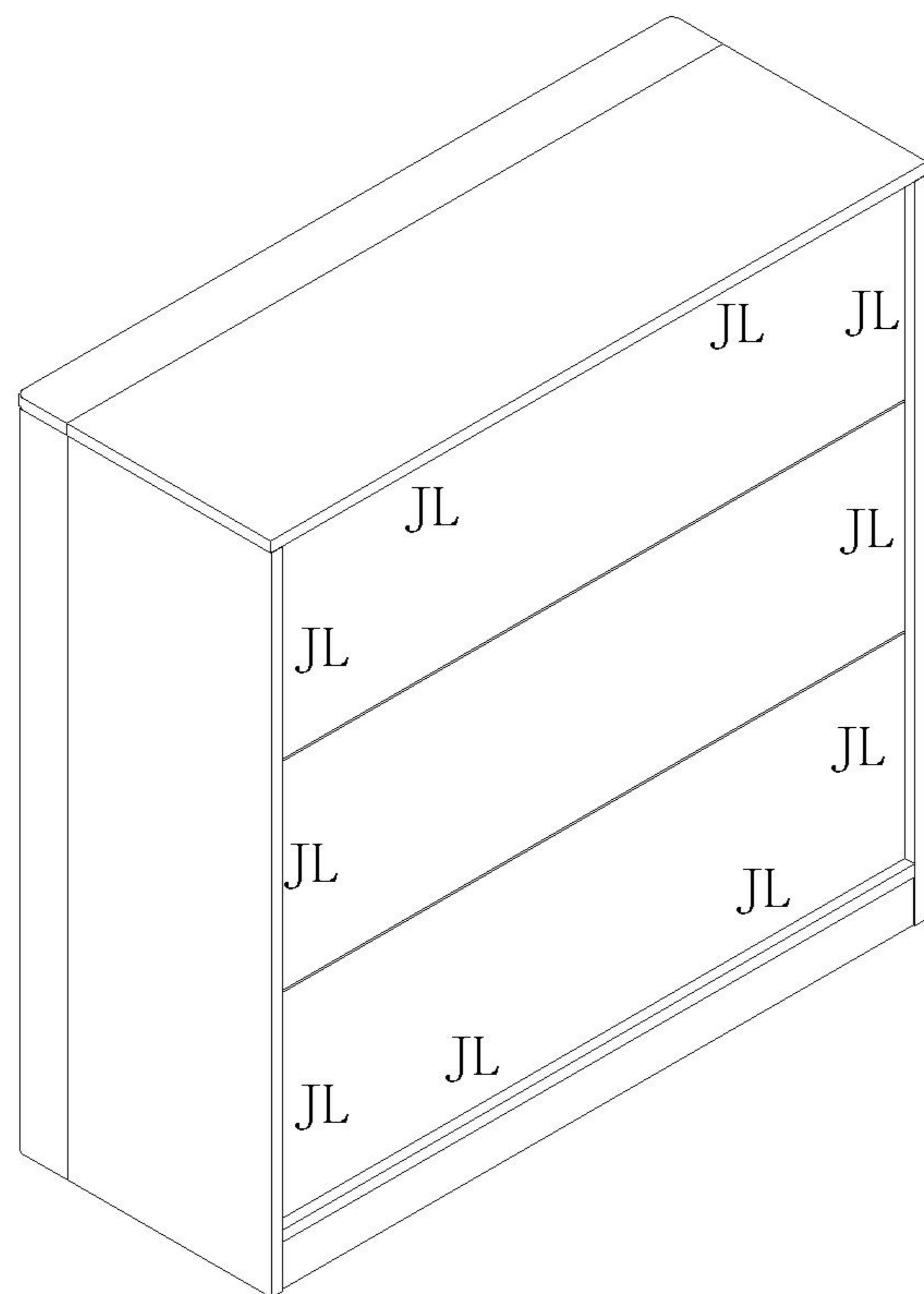
KQ1X-A

安装方法
Installation method

(J)*10

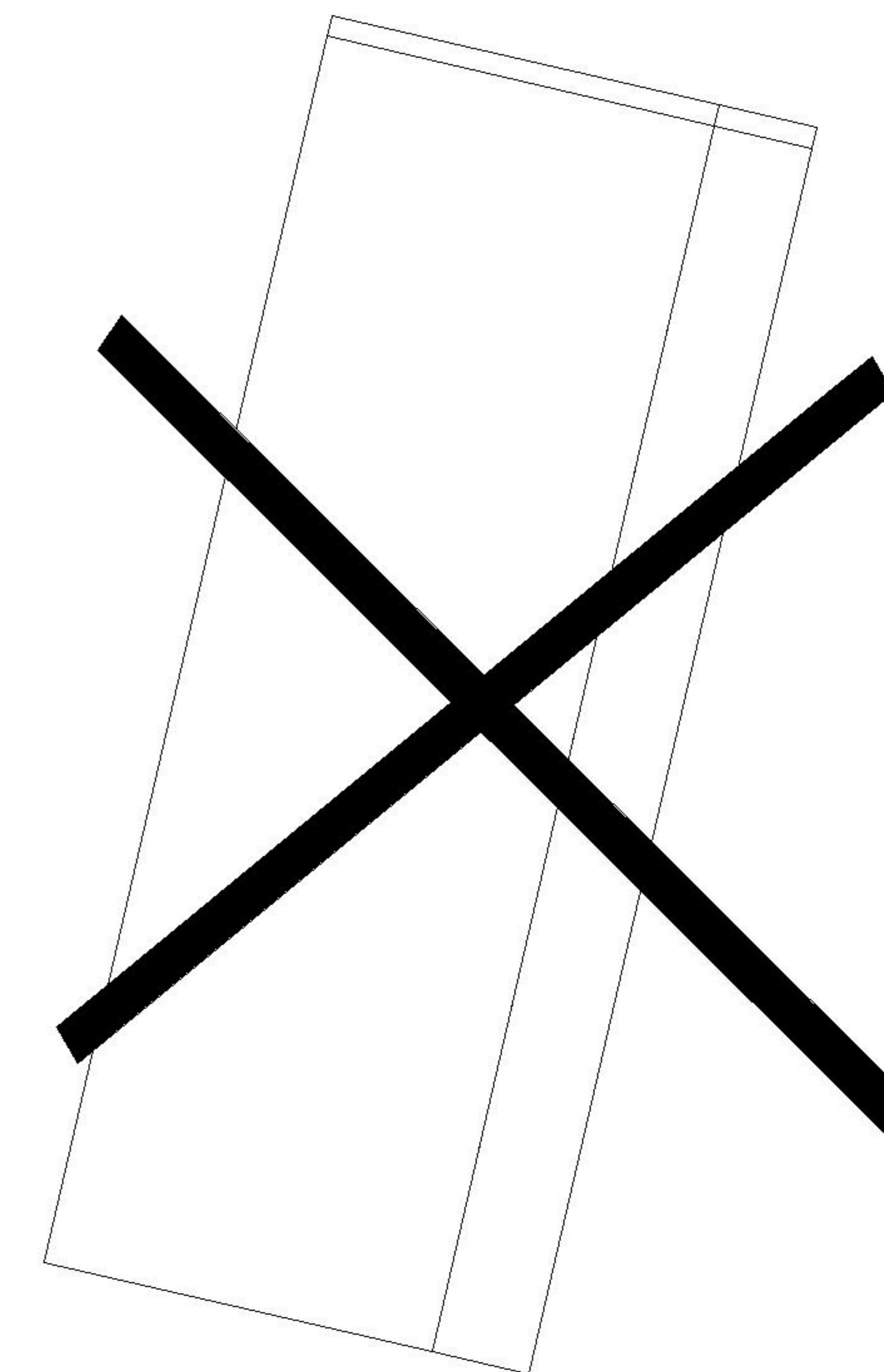
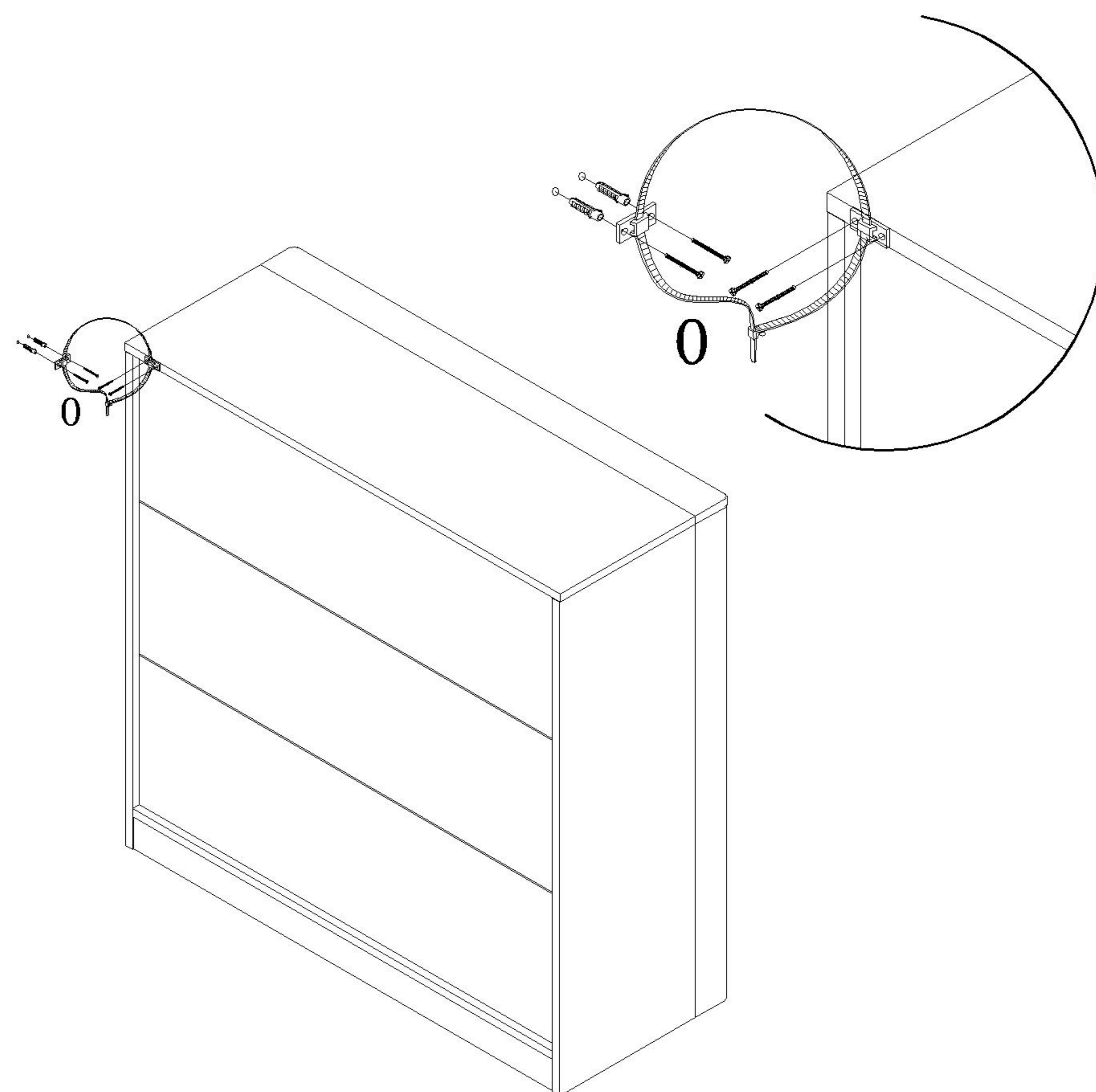


(L)*10



12

(O)*1



13