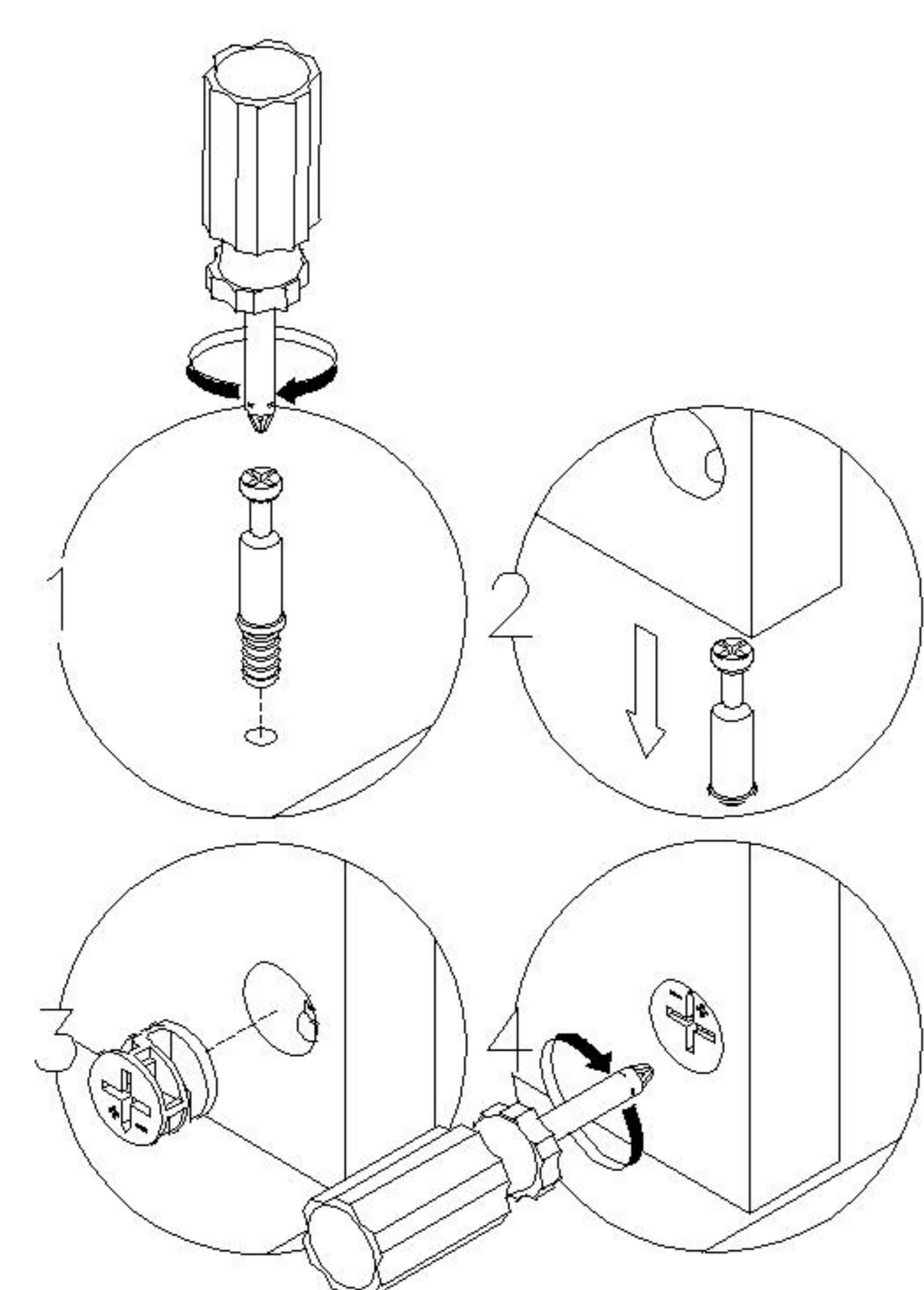




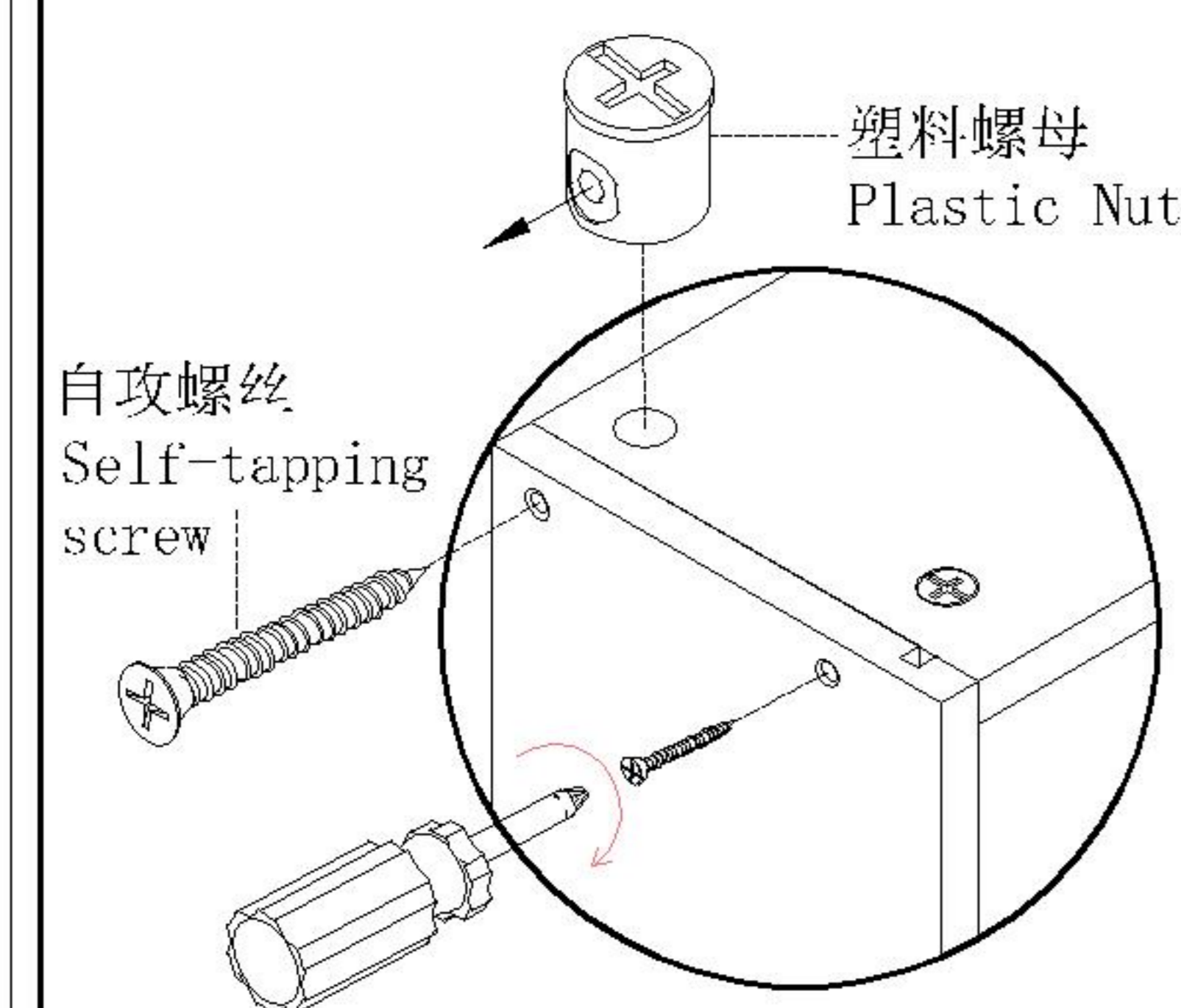


KQ1X-A

# 安装方法 Installation method



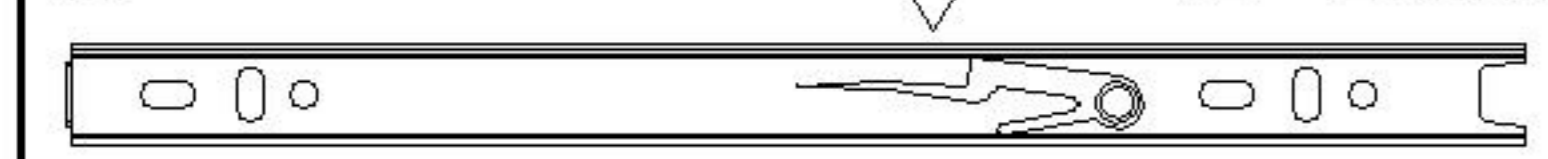
二合一  
two-in-one



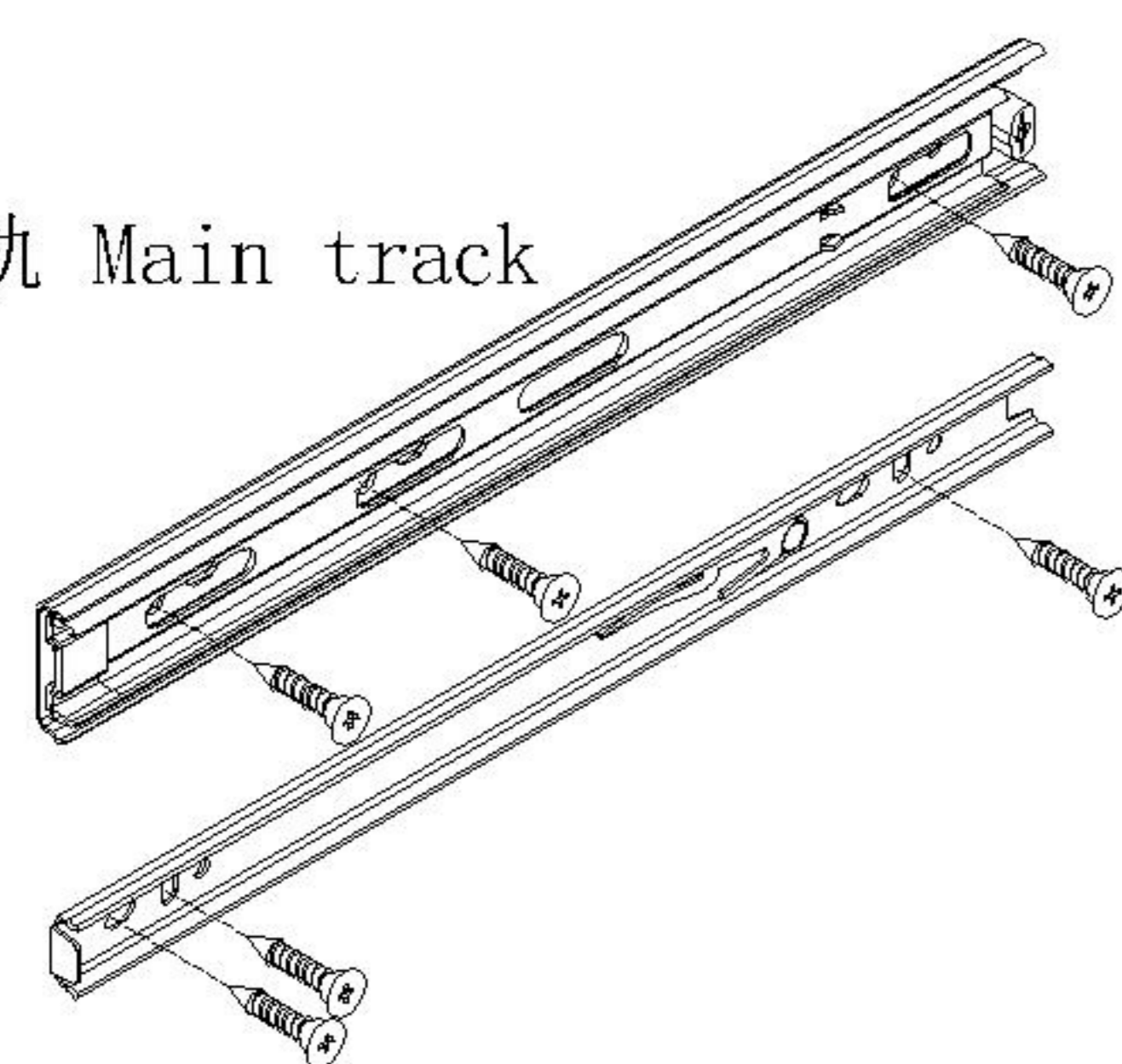
塑料螺母  
Plastic Nut

阀门开关(下压为开)  
Valve switch (press down to open)

前 Forward      后 Back

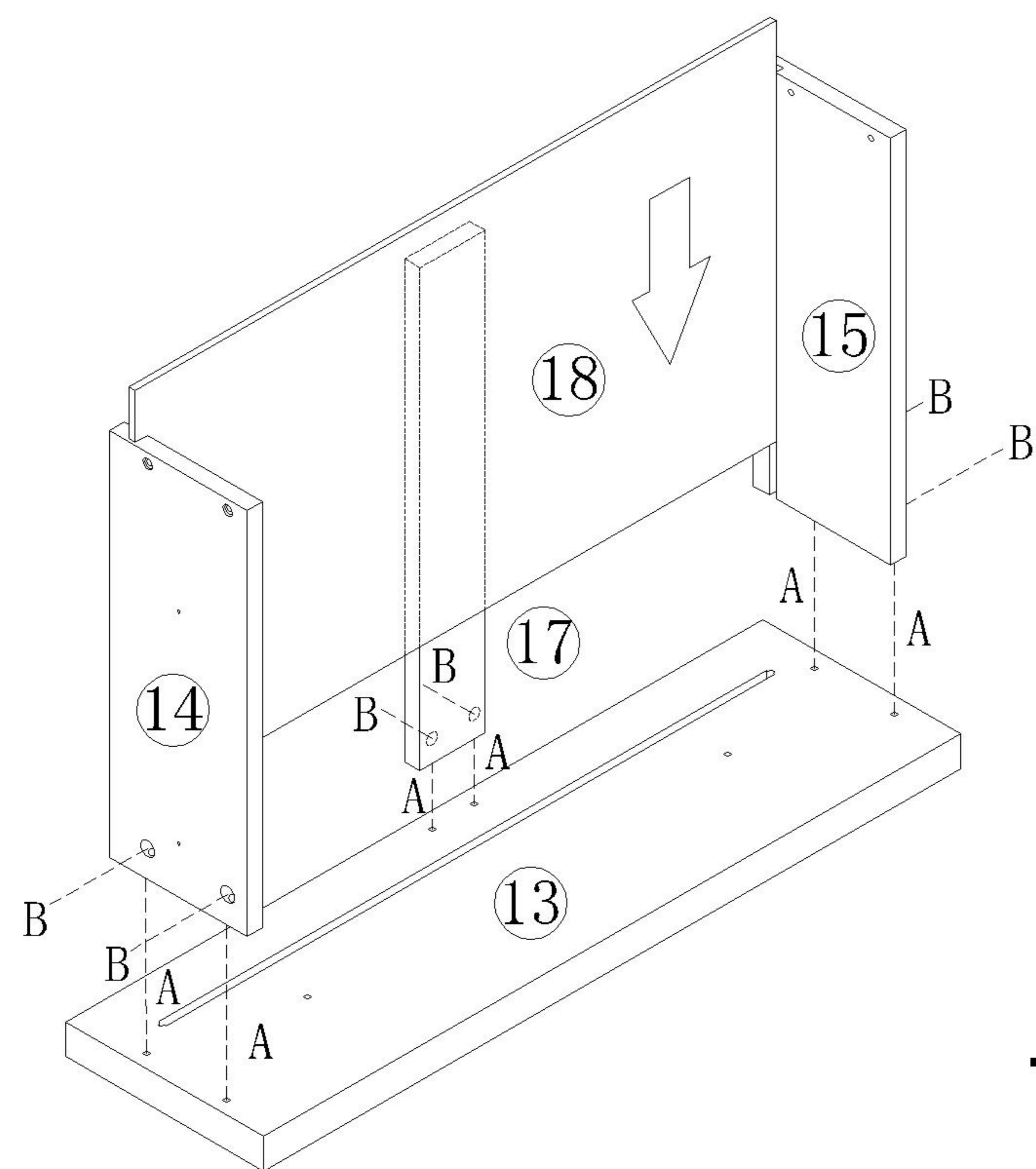


主轨 Main track



三节滚珠导轨-10"  
Three-section rail

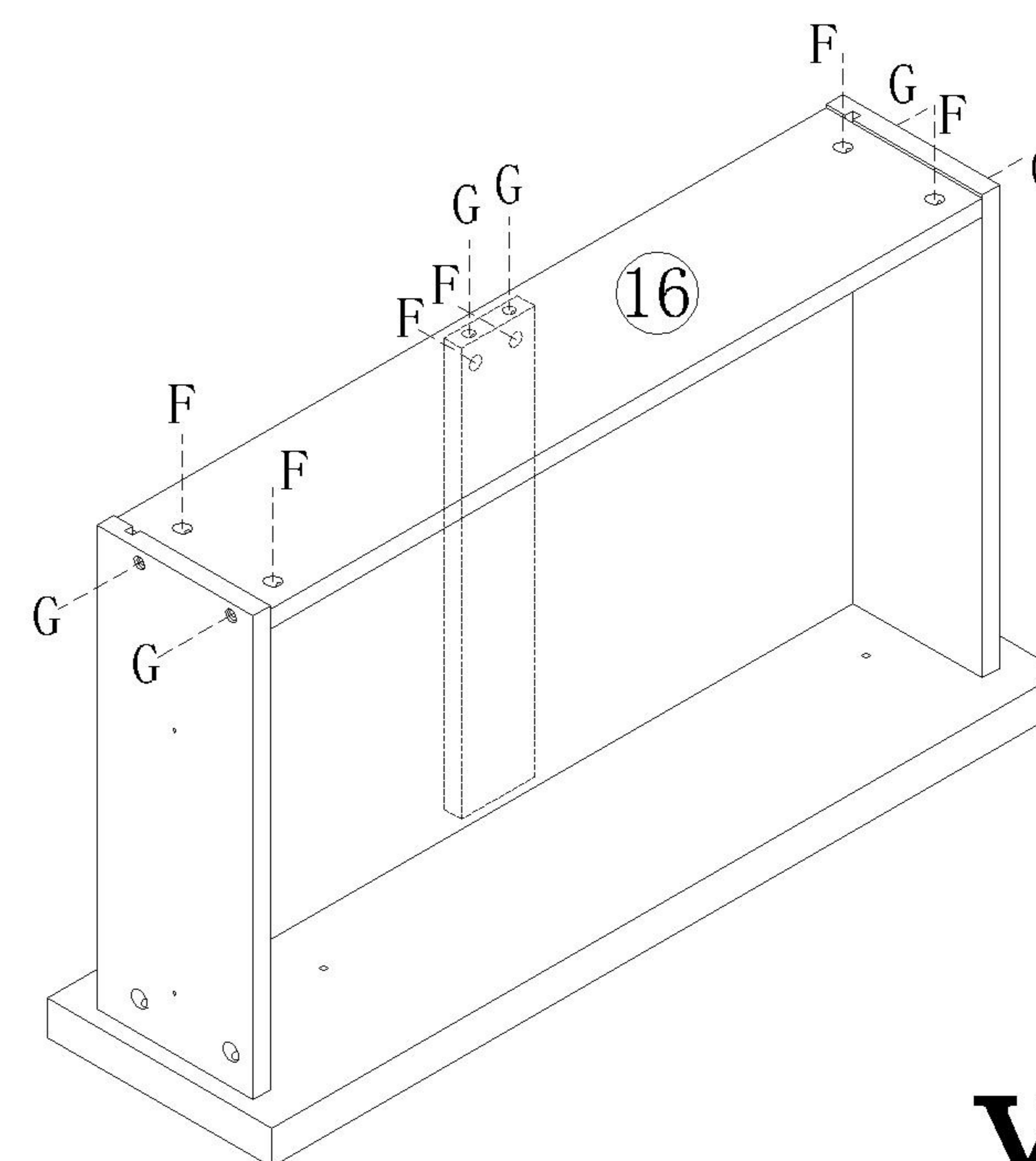
- (A)\*18
- (B)\*18



# X3

1

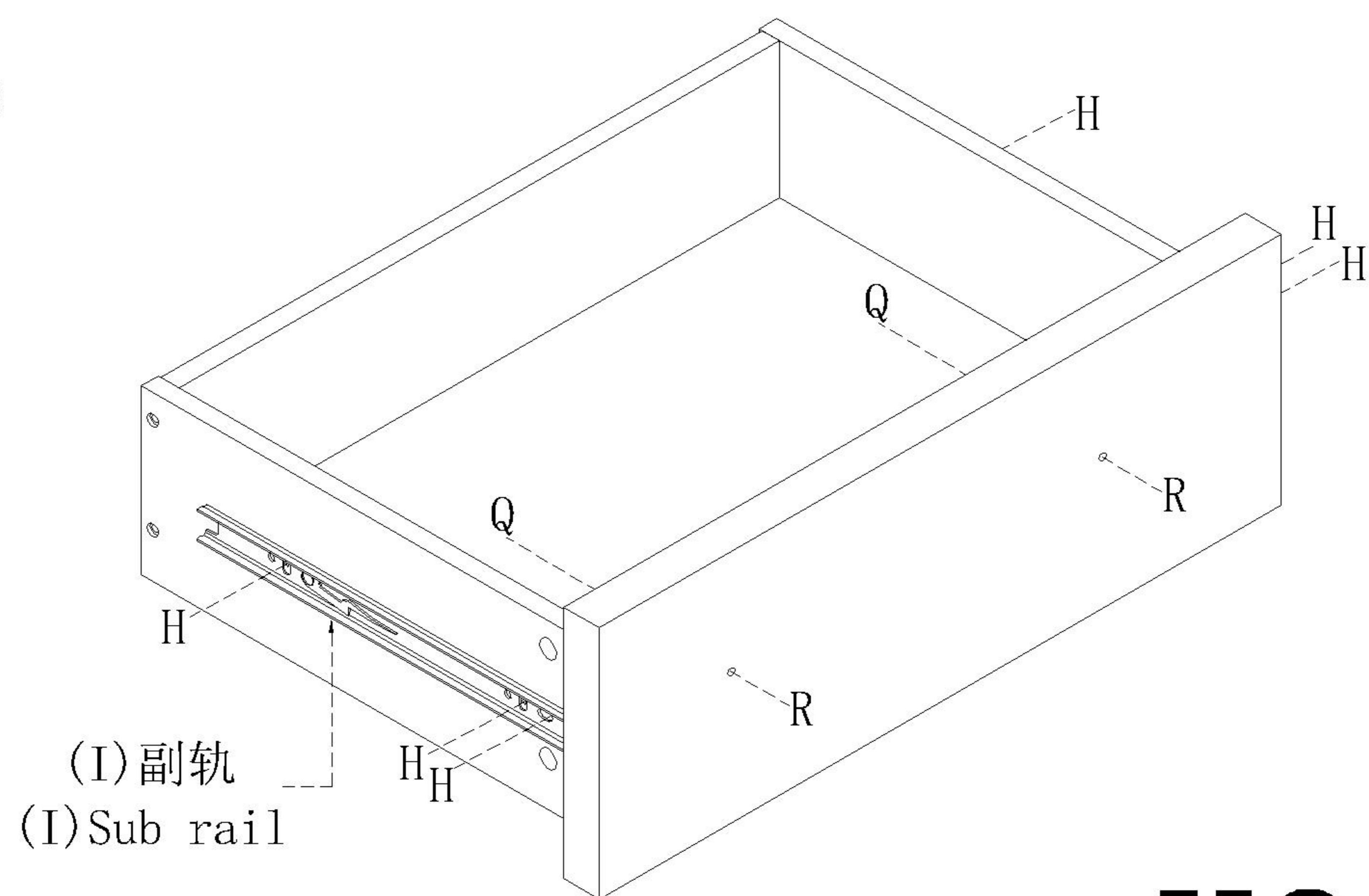
- (F)\*18
- (G)\*18



# X3

2

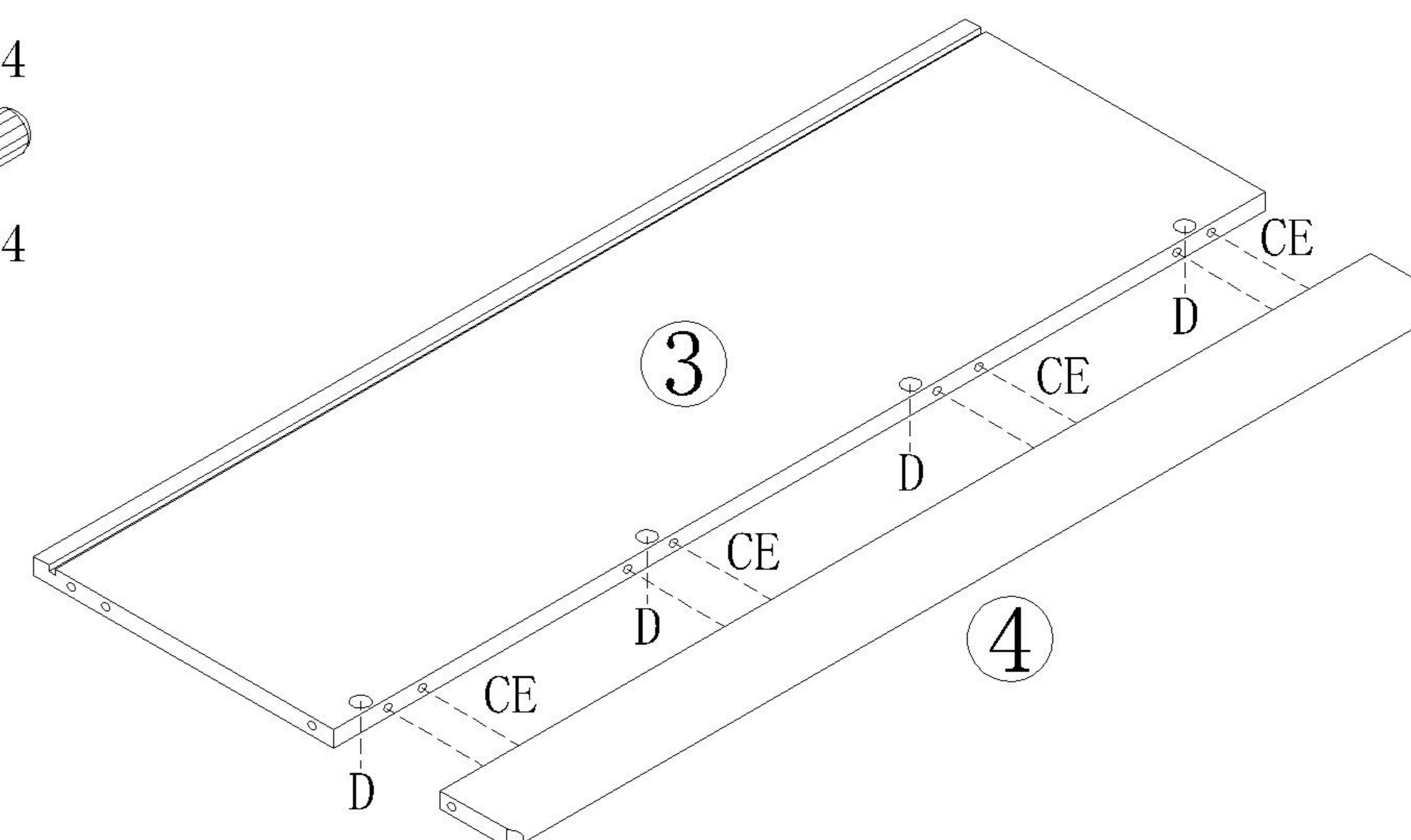
- (Q)\*6
- (H)\*18
- (R)\*6
- (I)\*3



# X3

3

- (C)\*4
- (D)\*4
- (E)\*4

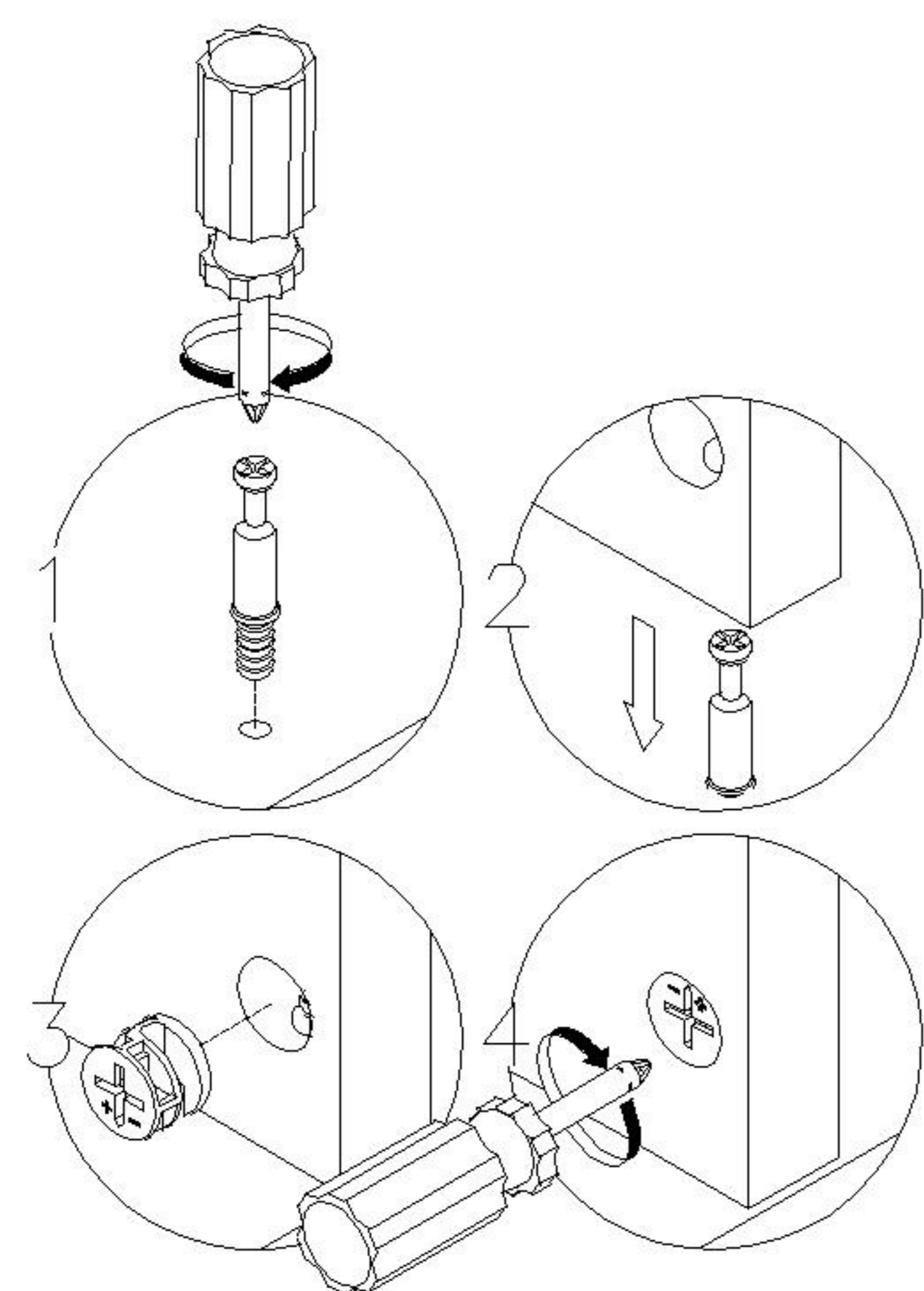


4



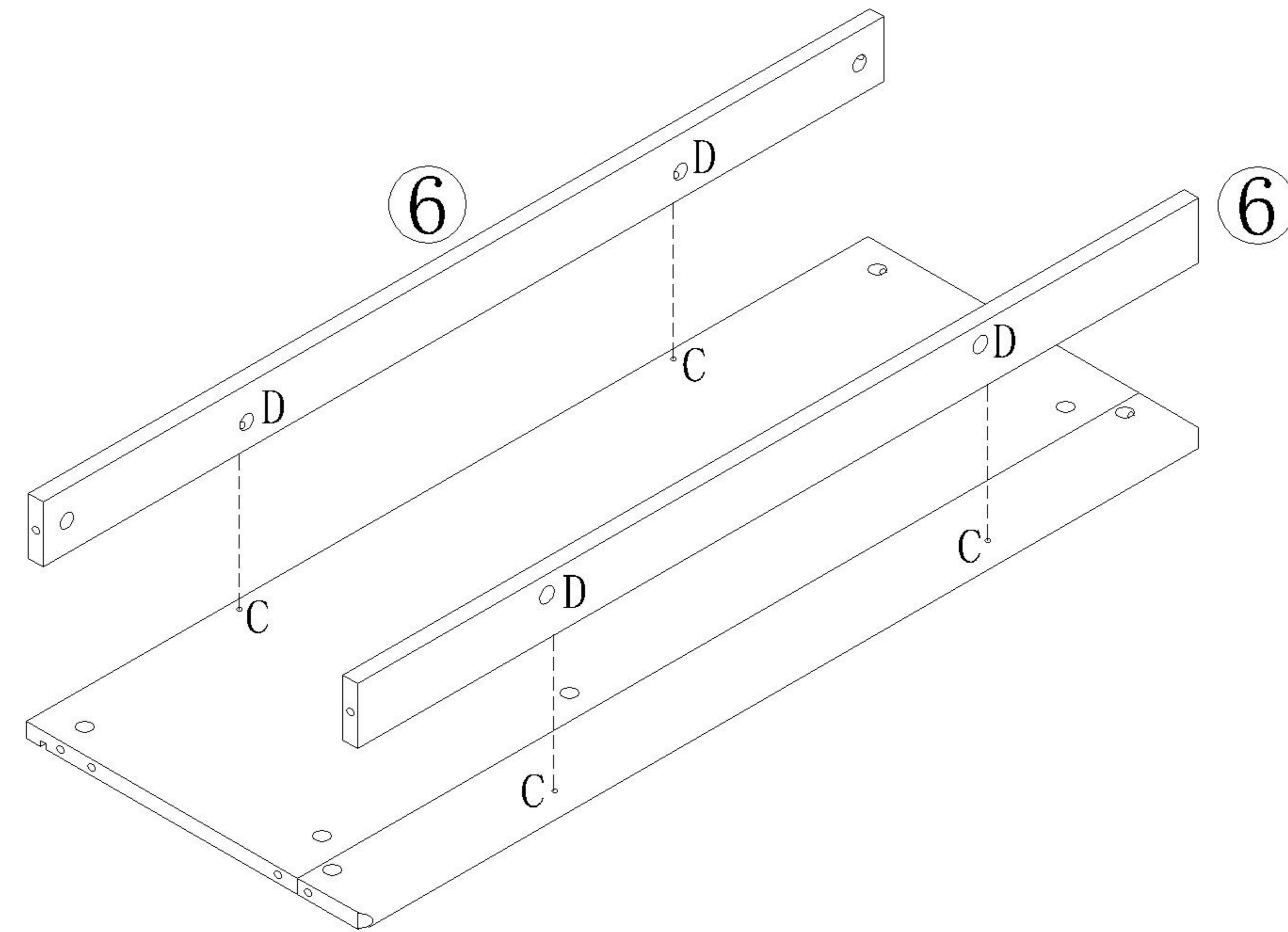
KQ1X-A

# 安装方法 Installation method

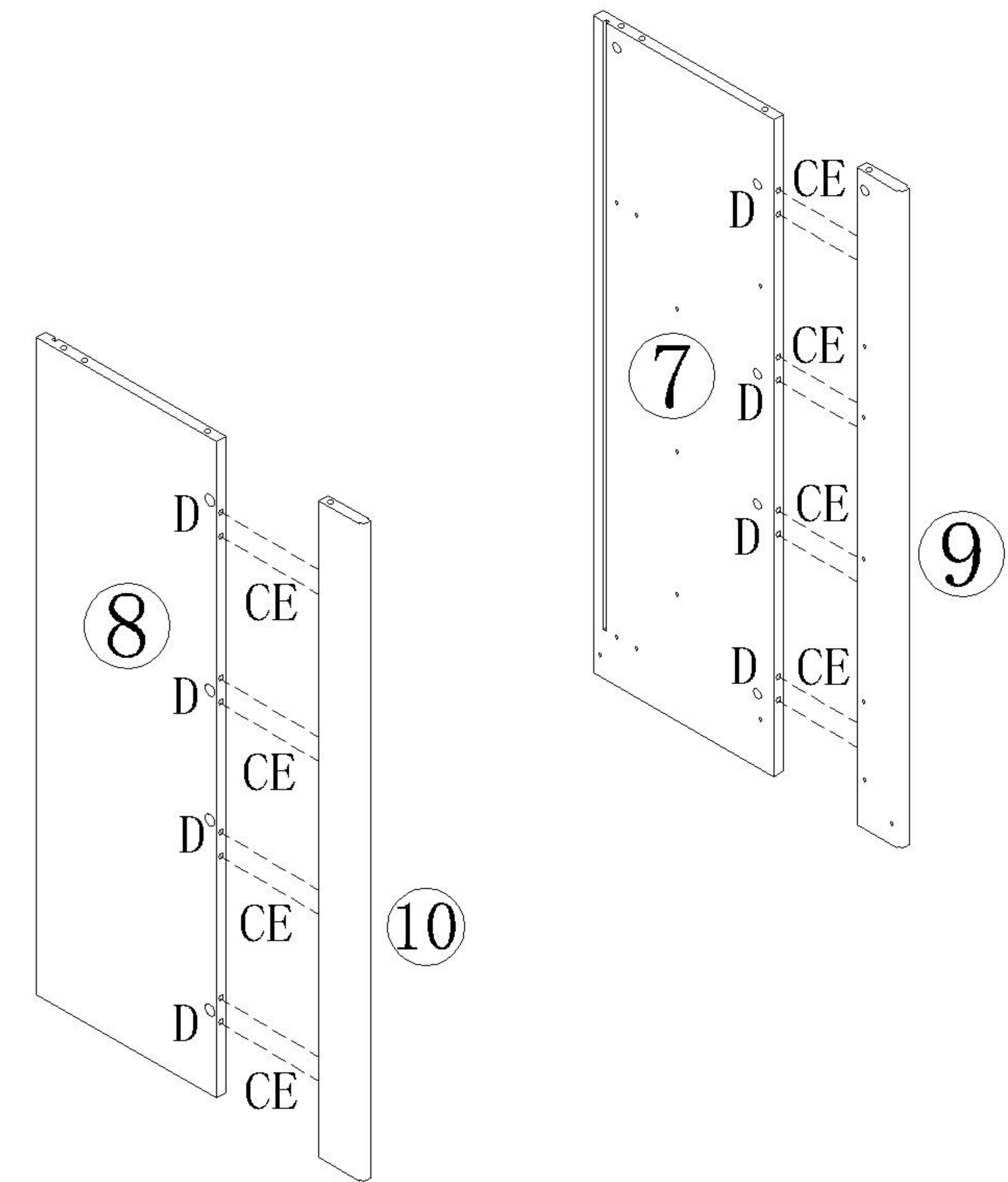


二合一  
two-in-one

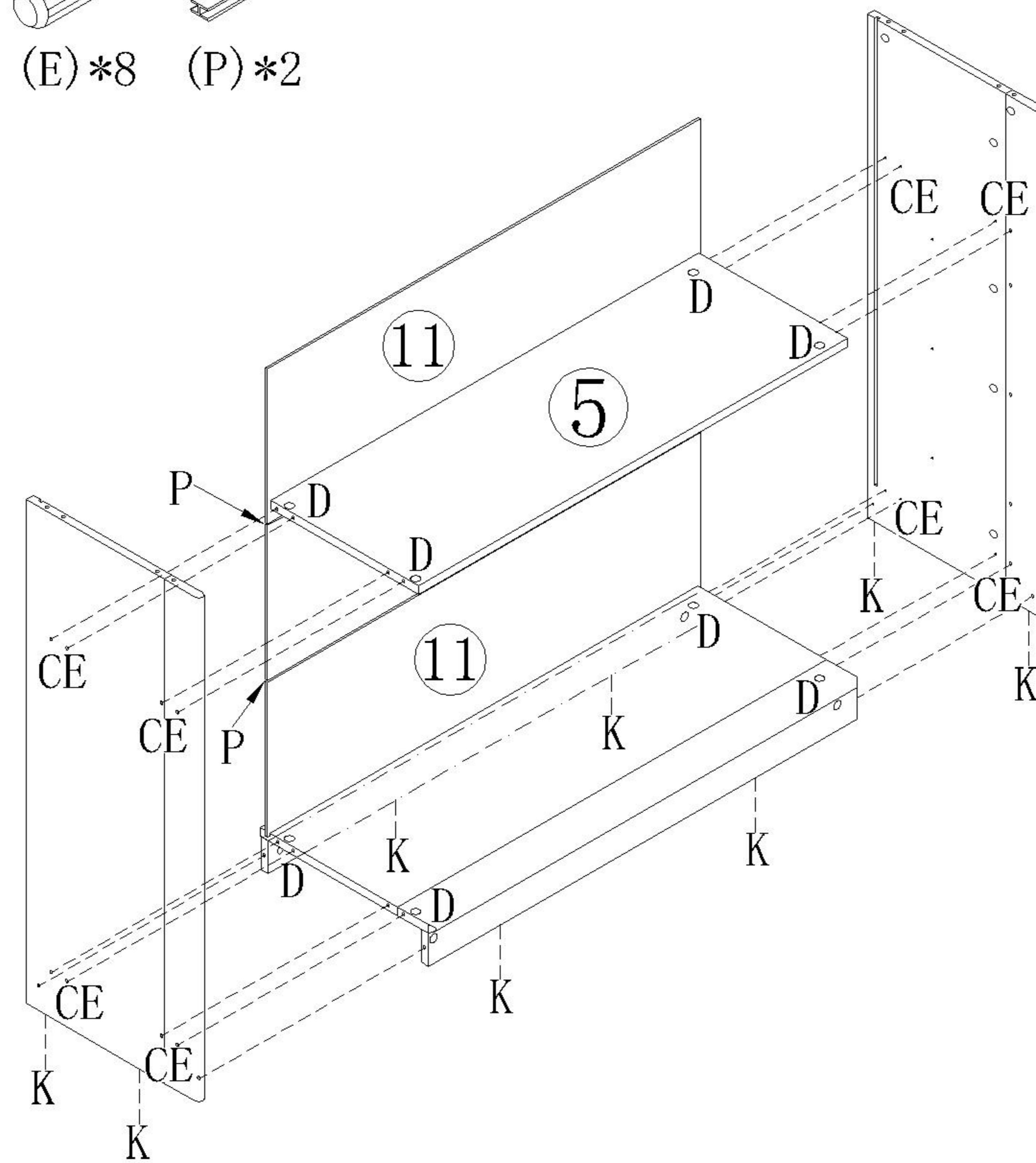
- (C)\*4
- (D)\*4



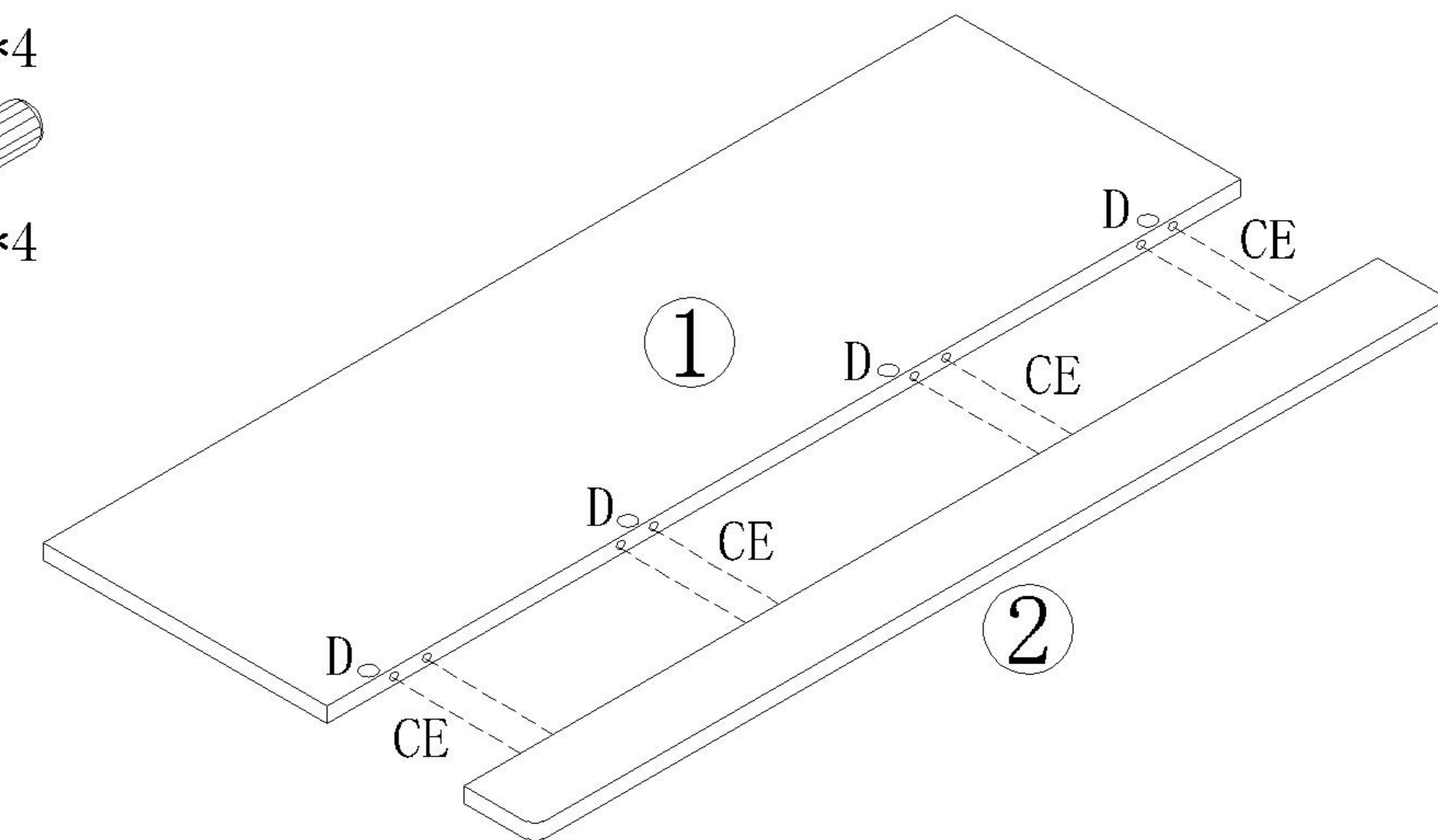
- (C)\*8
- (D)\*8
- (E)\*8



- (C)\*12
- (D)\*12
- (E)\*8
- (P)\*2
- (K)\*8



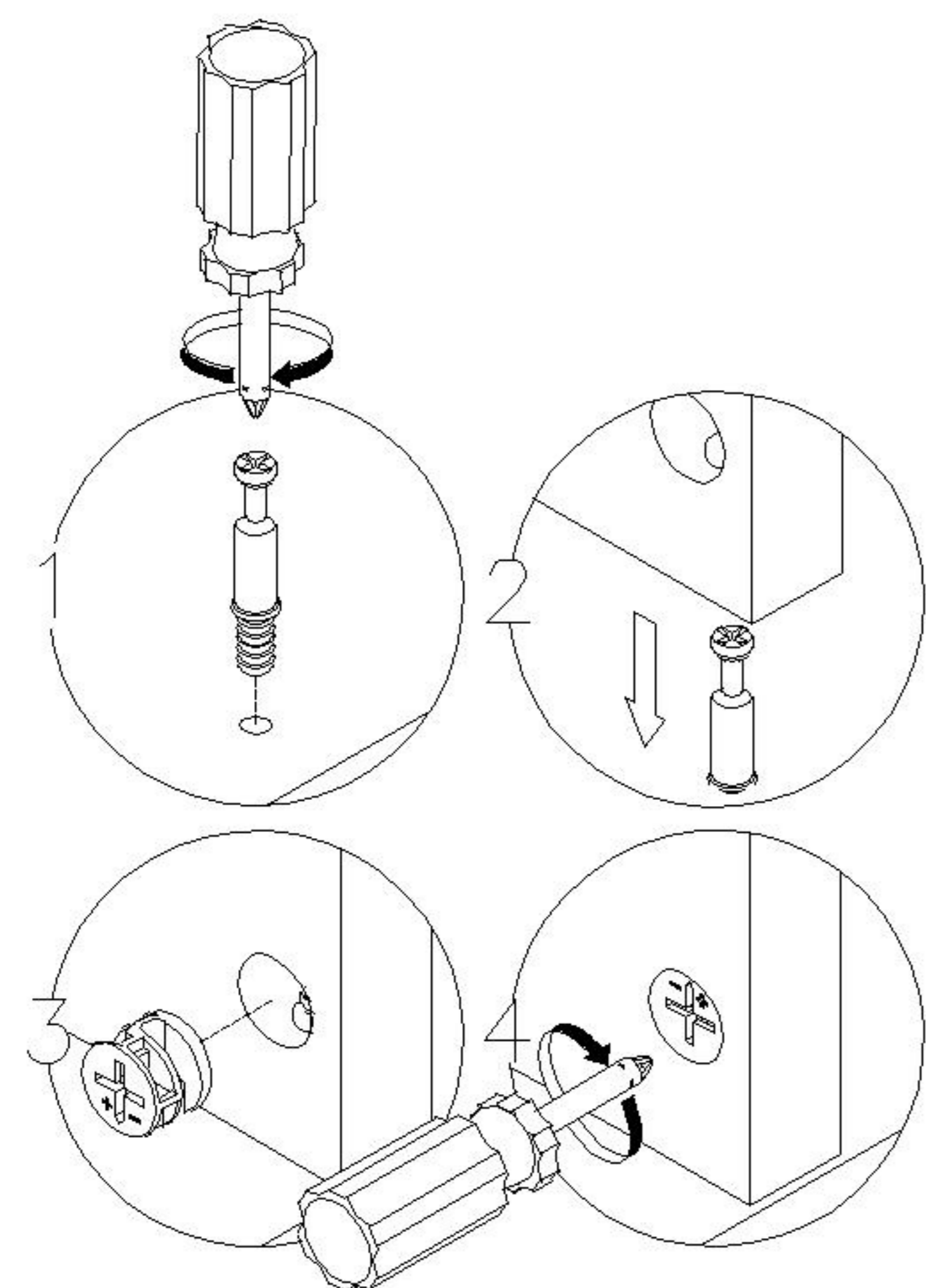
- (C)\*4
- (D)\*4
- (E)\*4



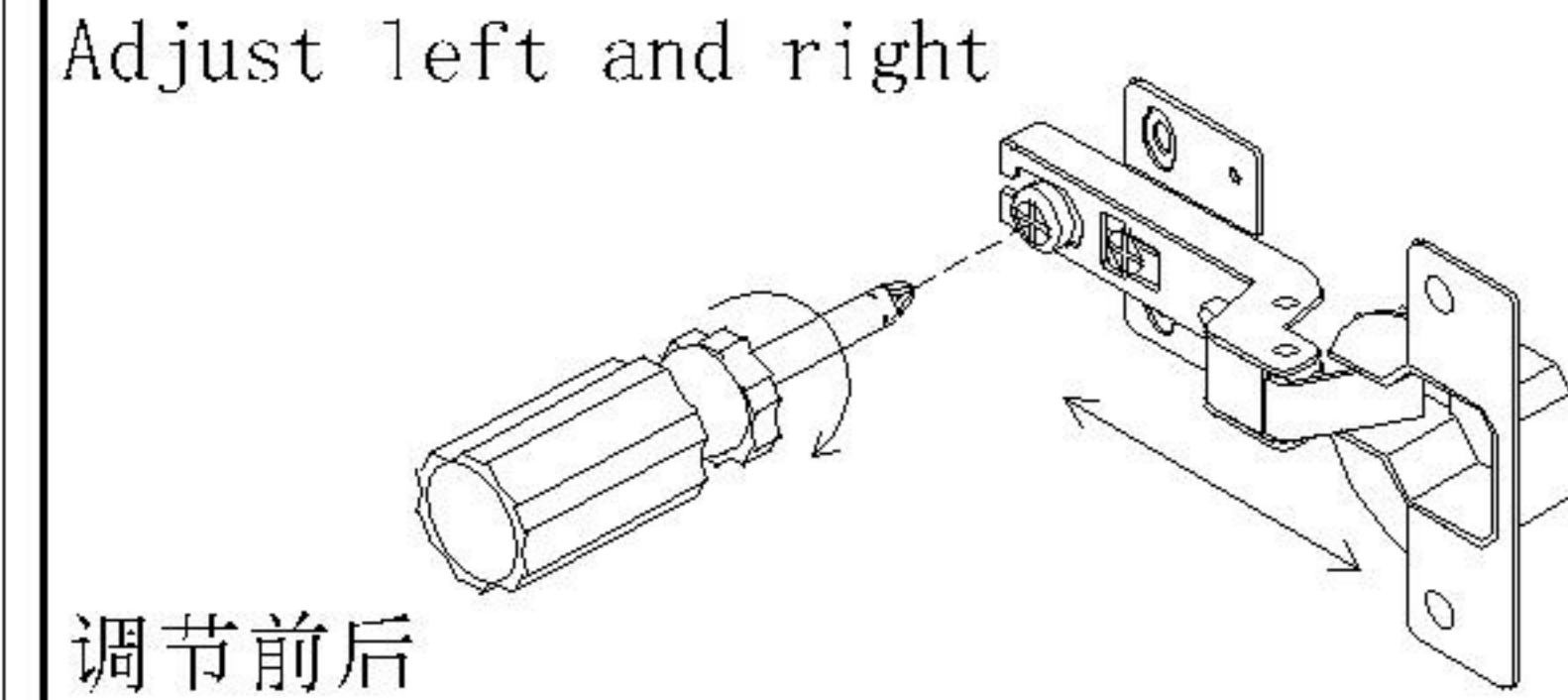
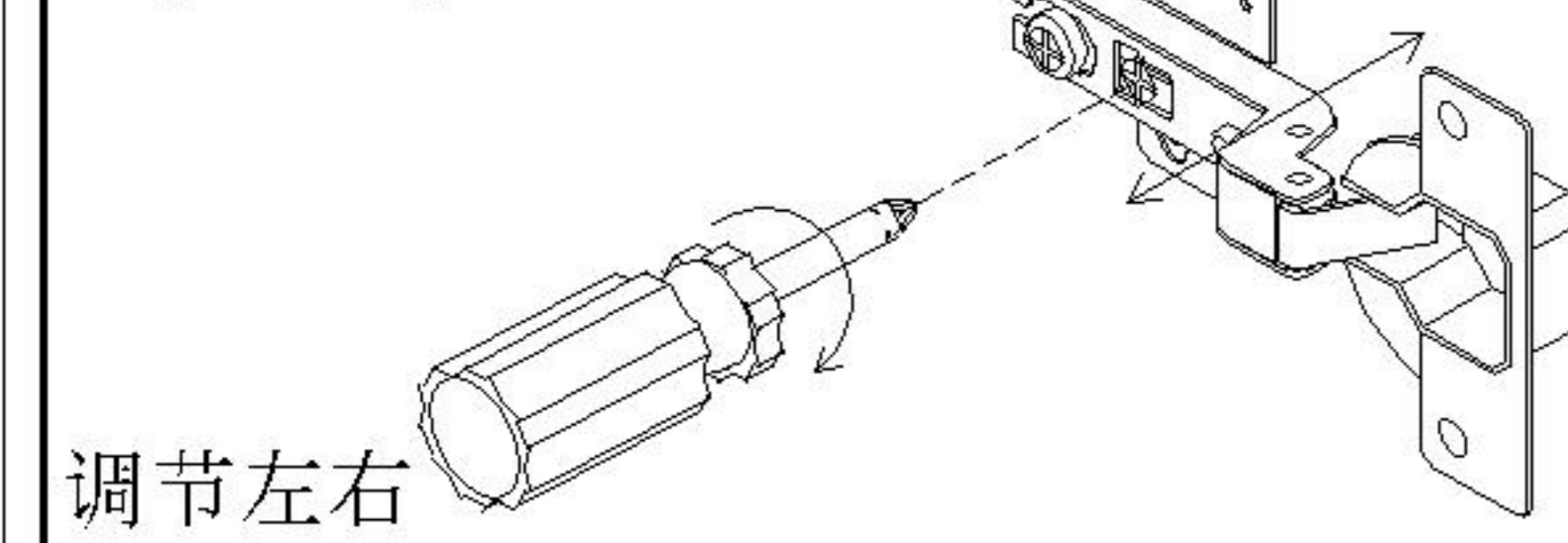
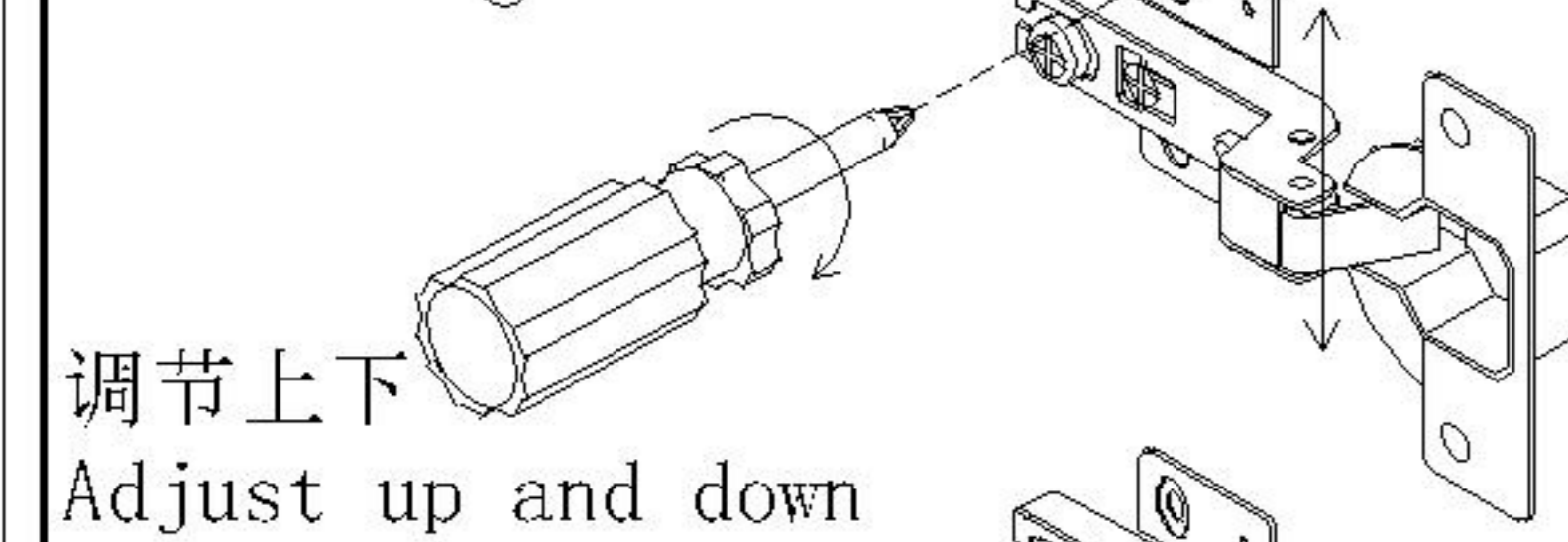
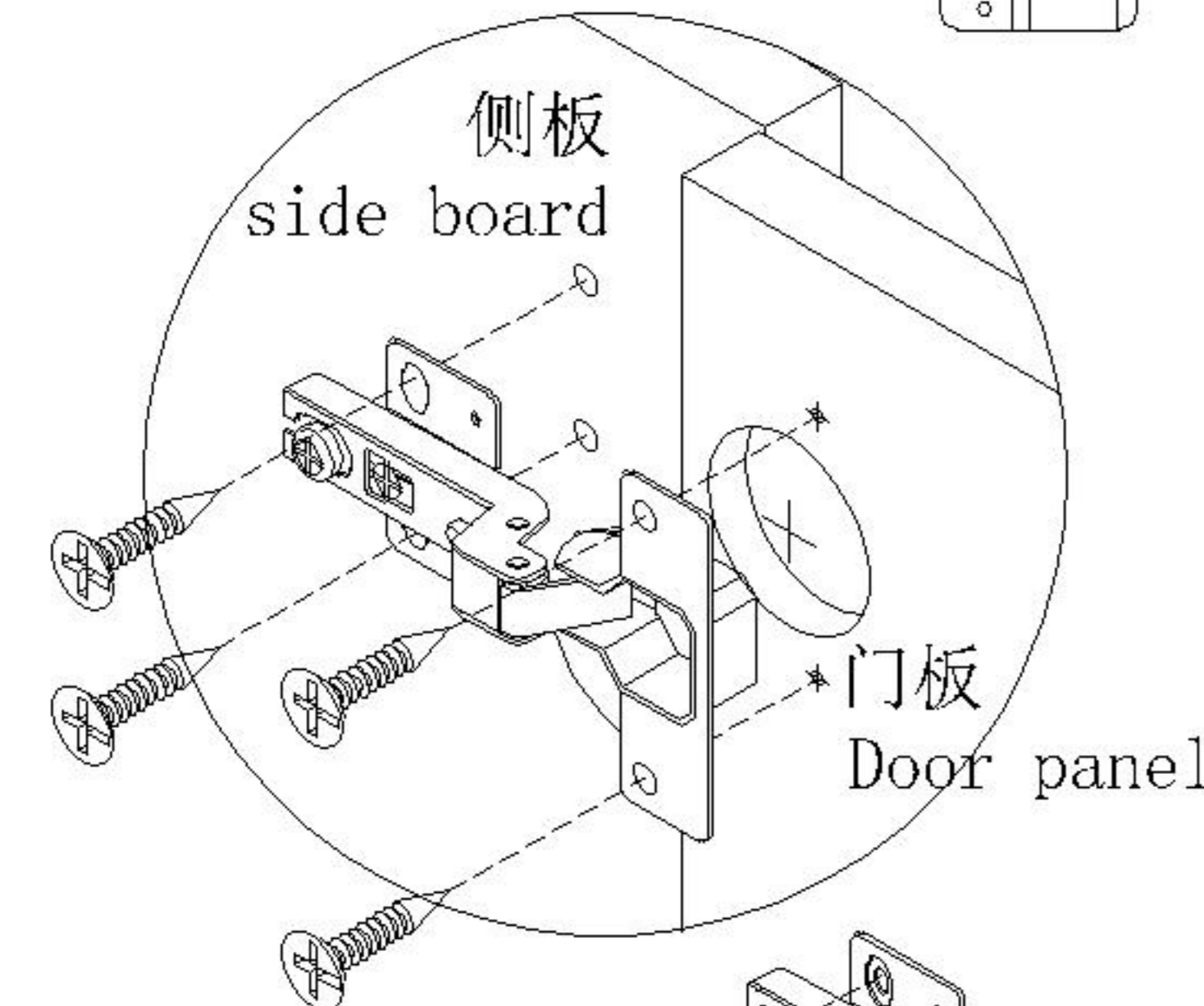
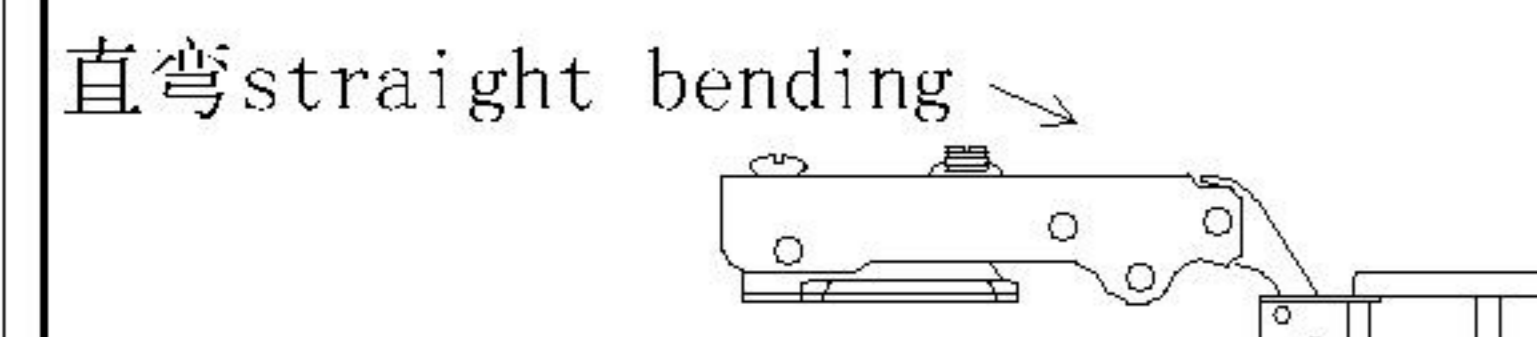
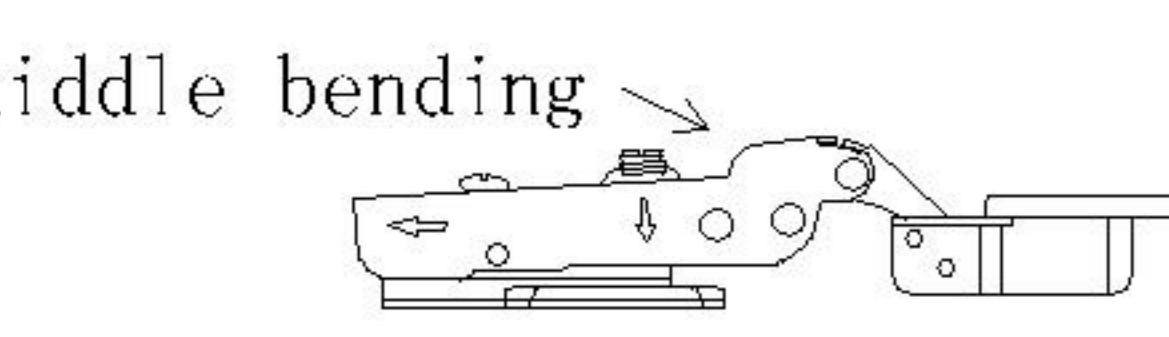
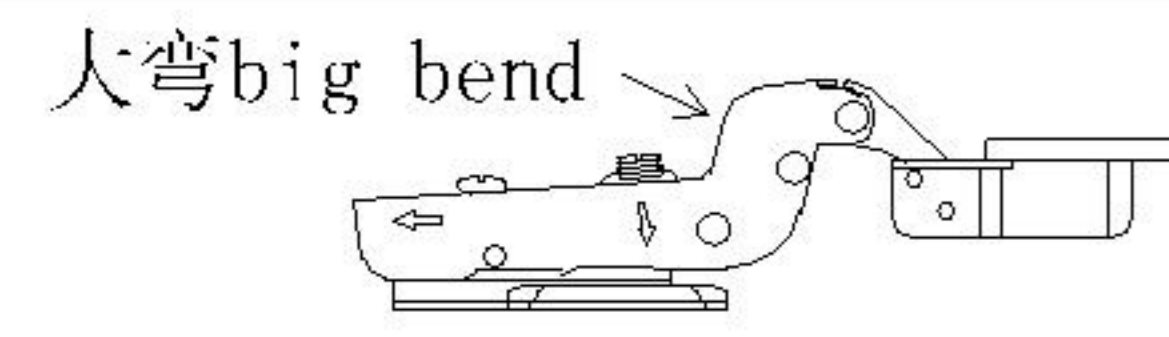


KQ1X-A

安装方法  
Installation method

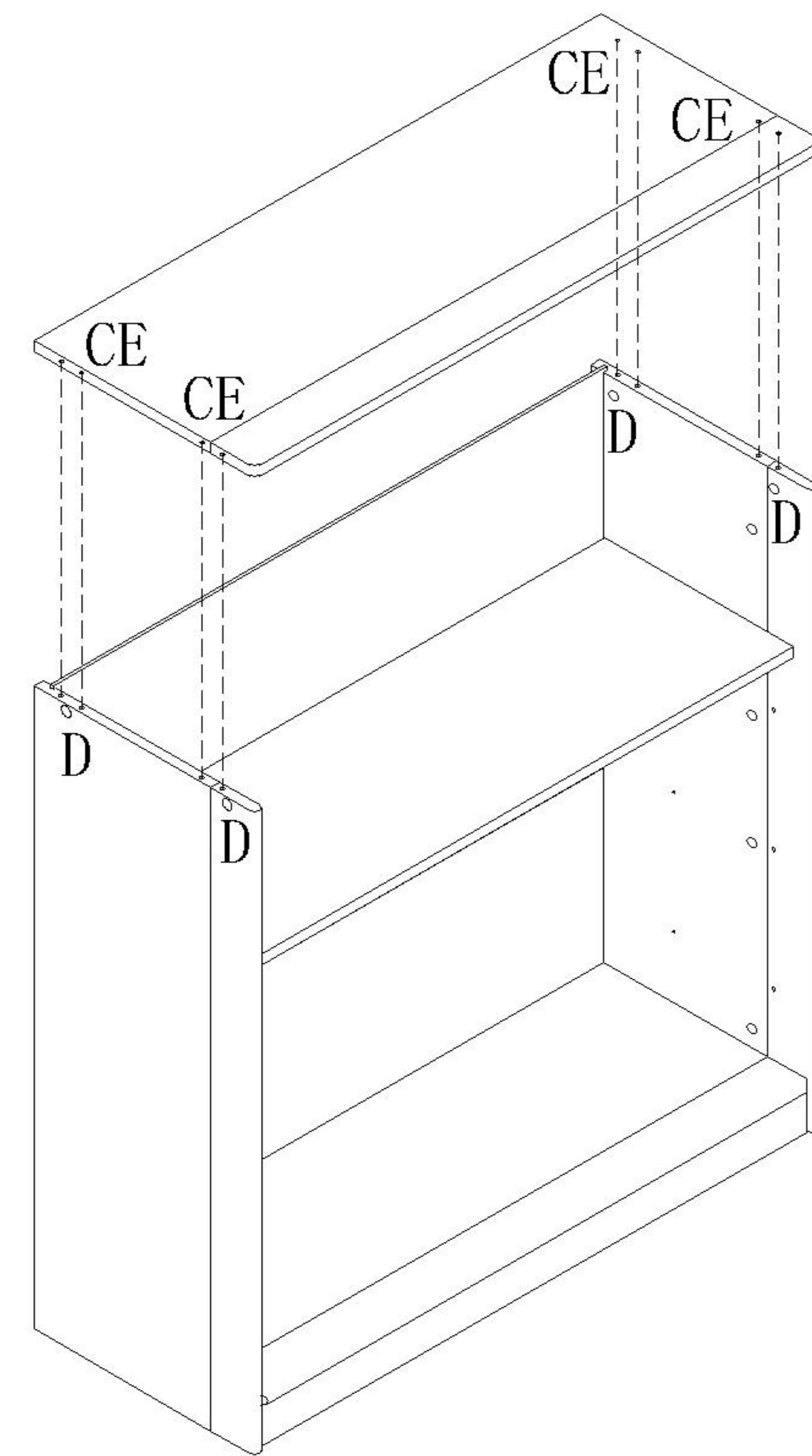


二合一  
two-in-one

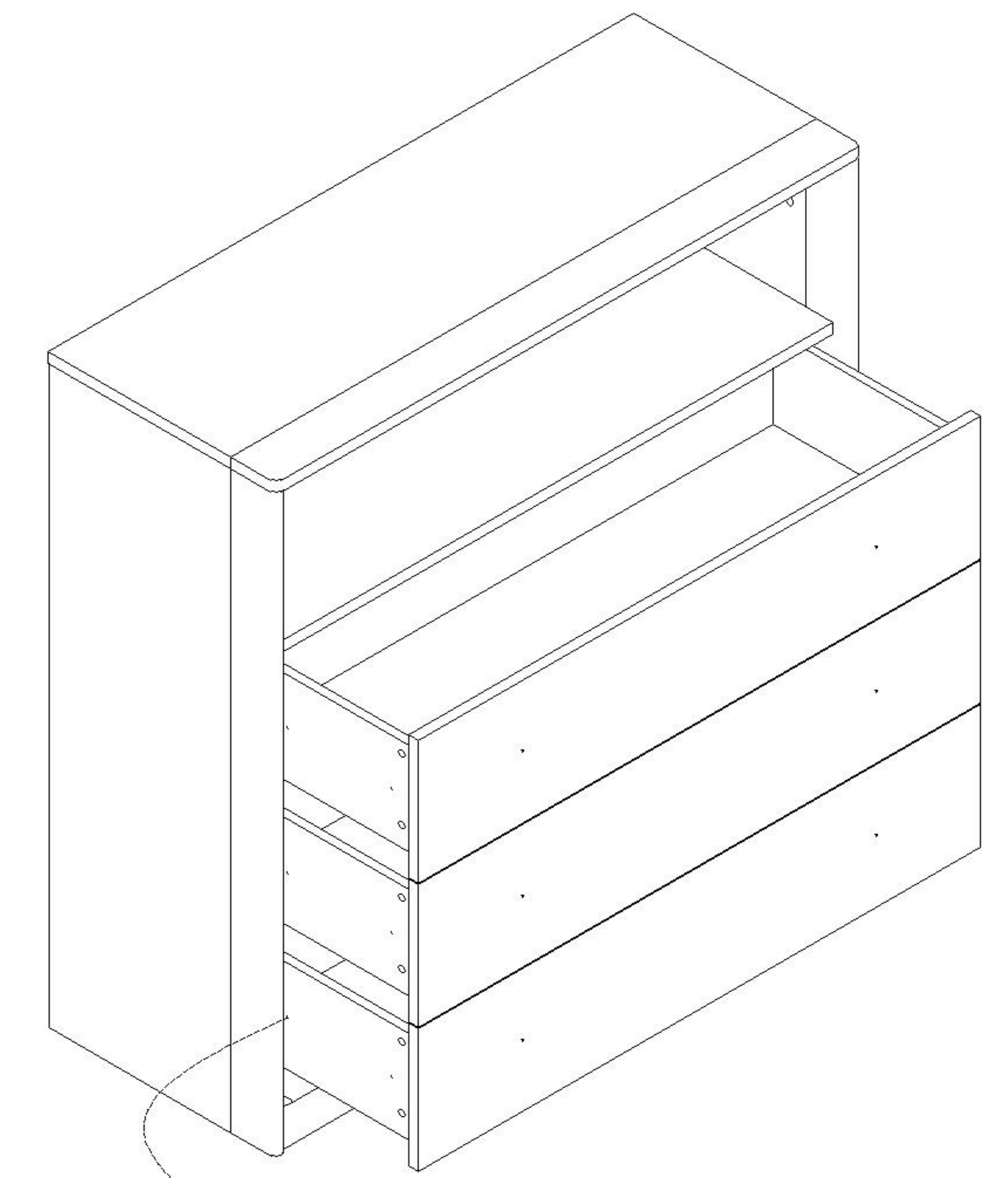
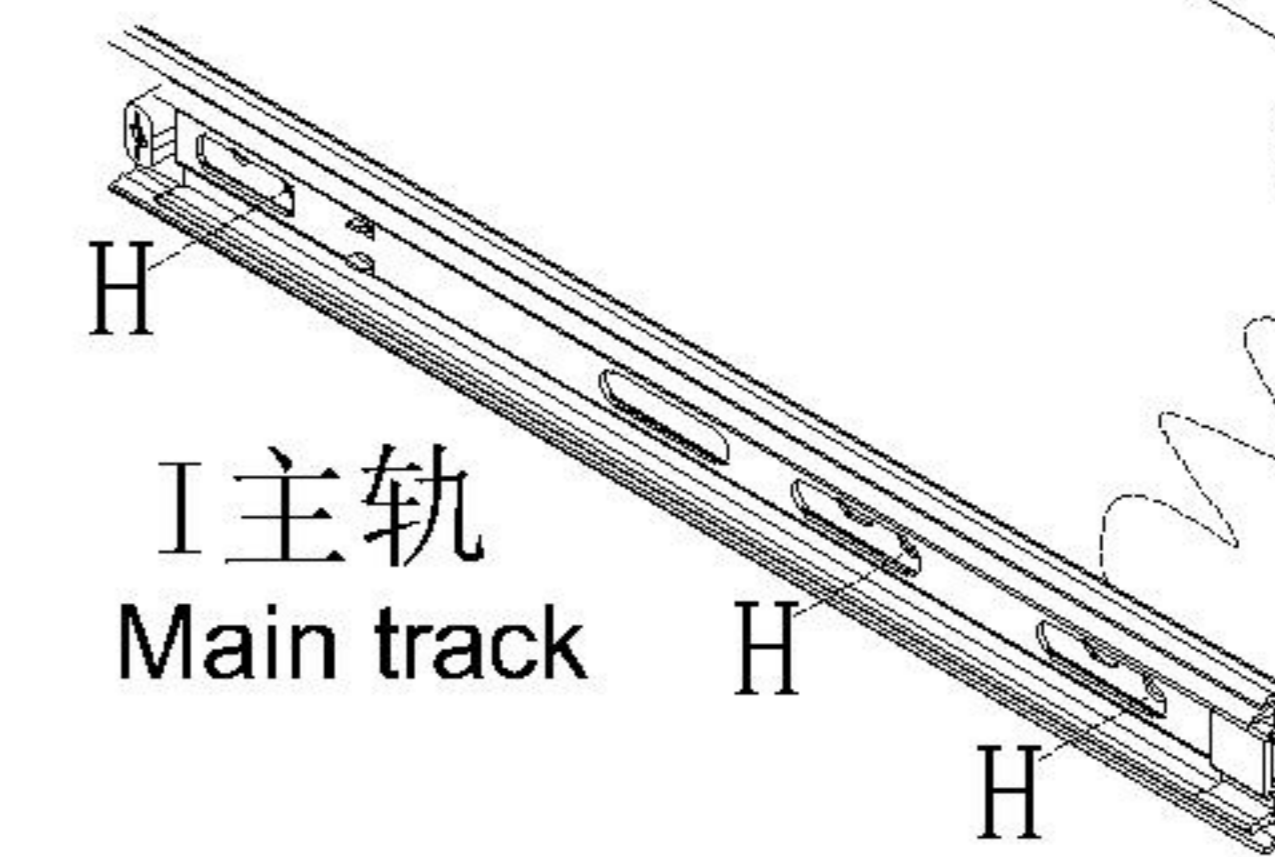


调节前后  
Before and after adjustment  
门铰  
Hinge

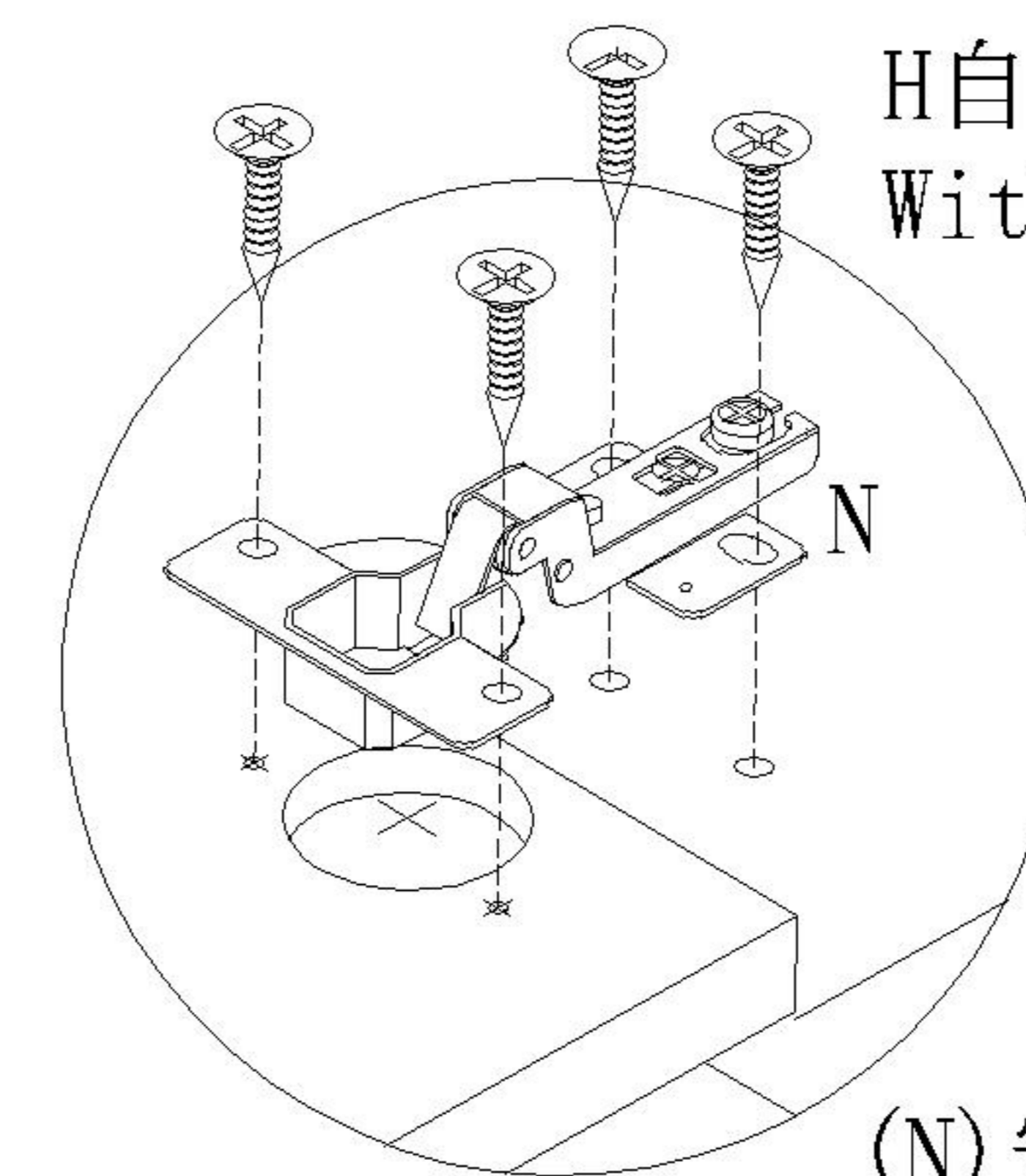
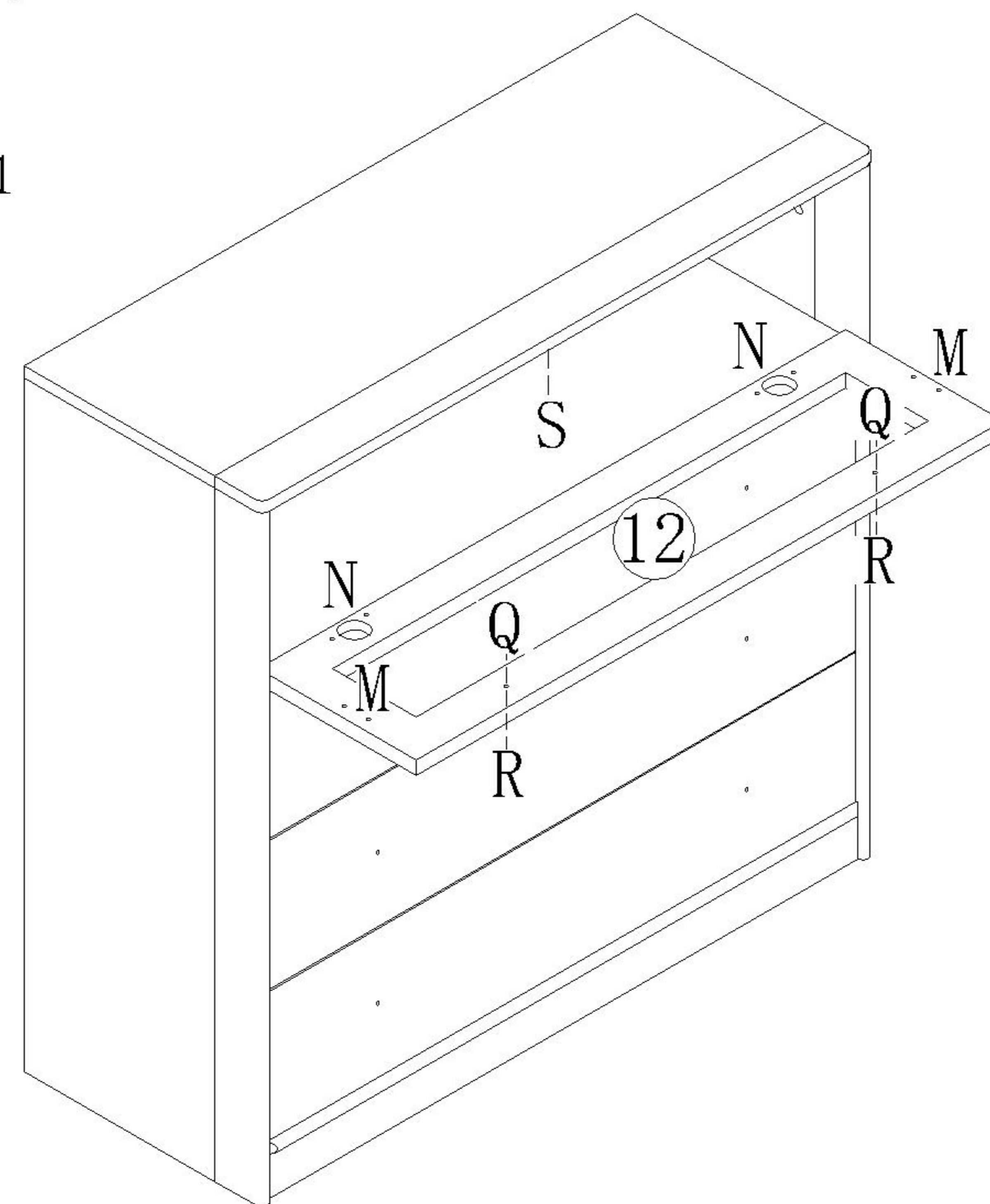
- (C)\*4
- (D)\*4
- (E)\*4



- (I)\*3
- (H)\*18

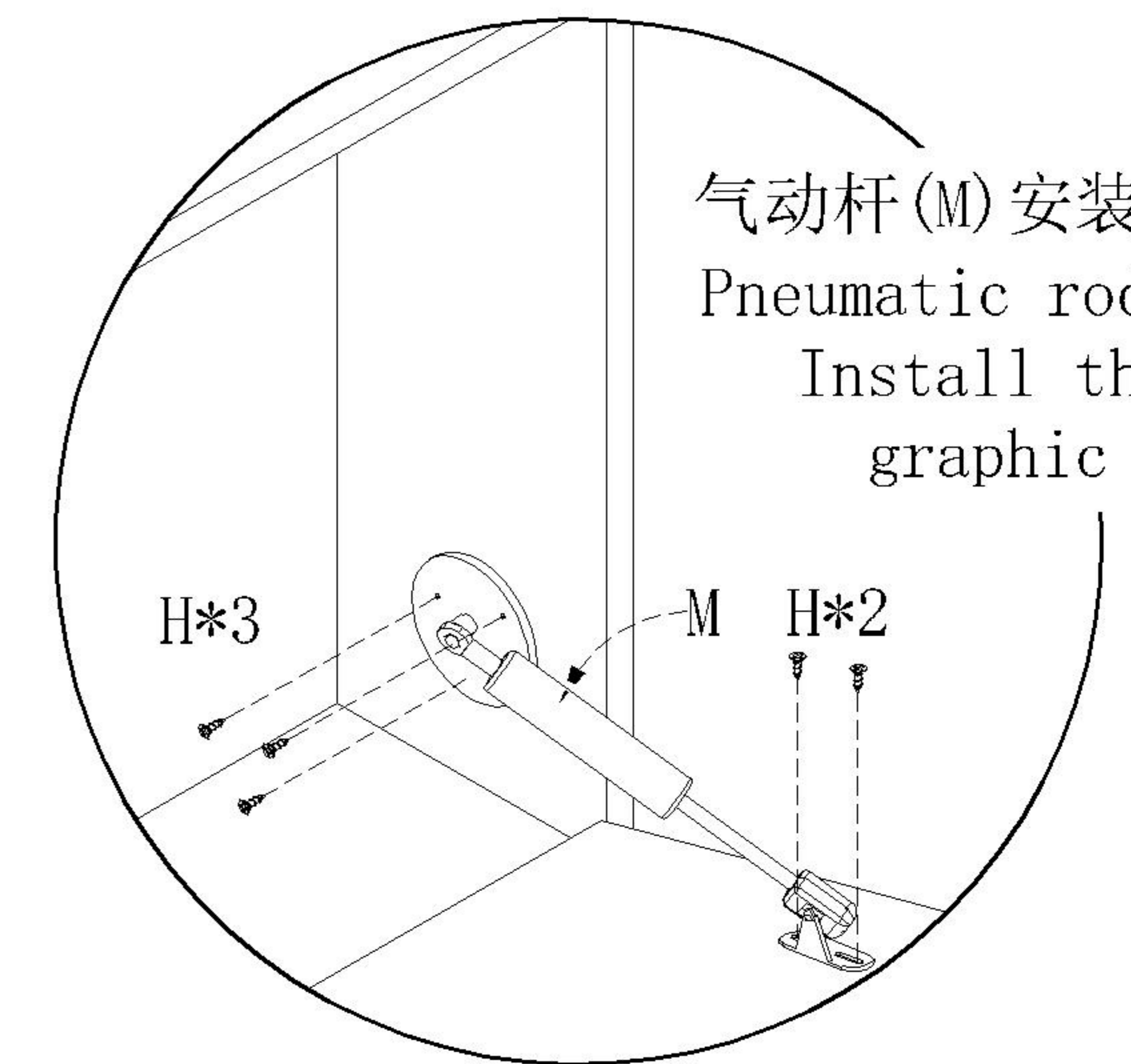


- (N)\*2
- (M)\*2
- (H)\*10
- (Q)\*2
- (R)\*2
- (S)\*1



H自带螺丝  
With screw

(N) 安装图示  
(N) Installation diagram



气动杆(M) 安装图示  
Pneumatic rod (M)  
Install the graphic

警告: 门板与门板有设计所需的开启间隙, 小心夹伤。  
Warning: The door panel and the door panel have the required opening clearance, be careful of clamping injury.

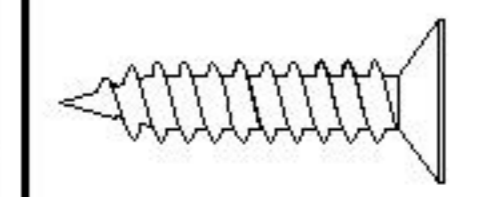


KQ1X-A

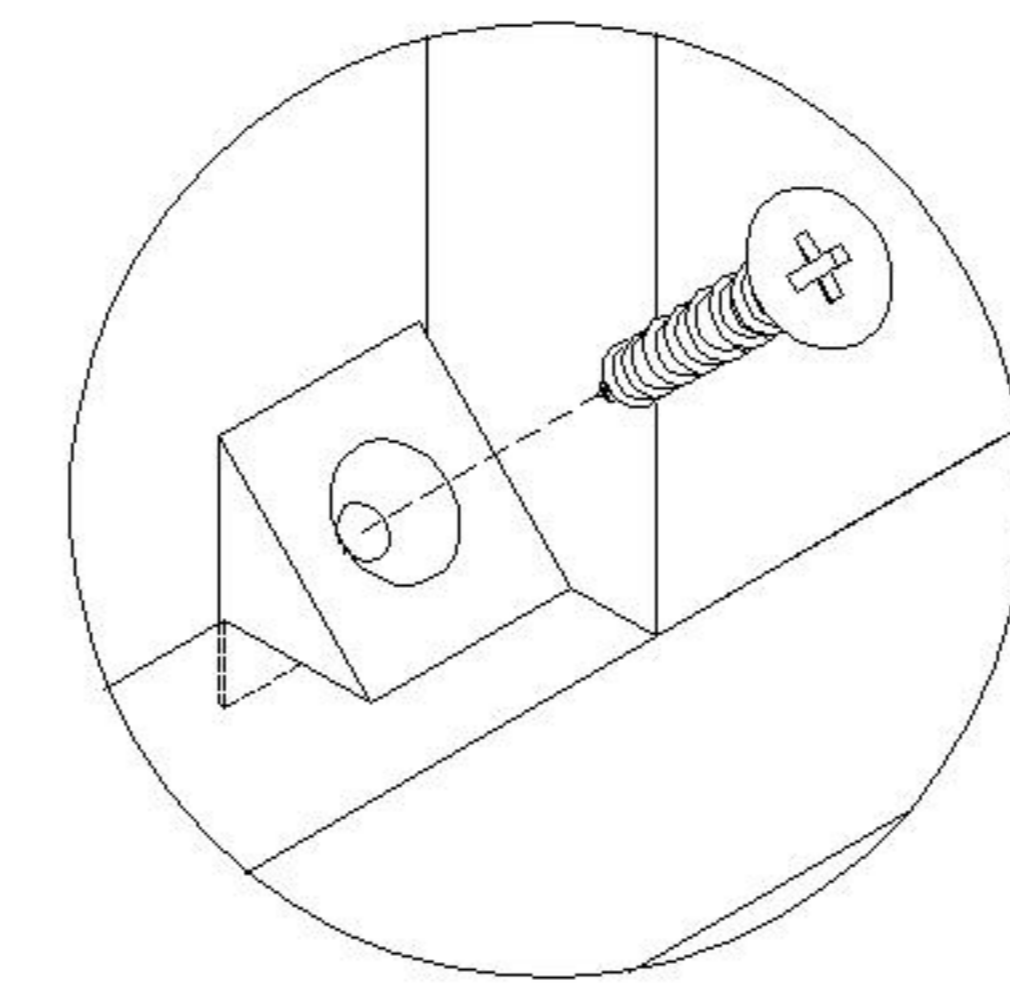
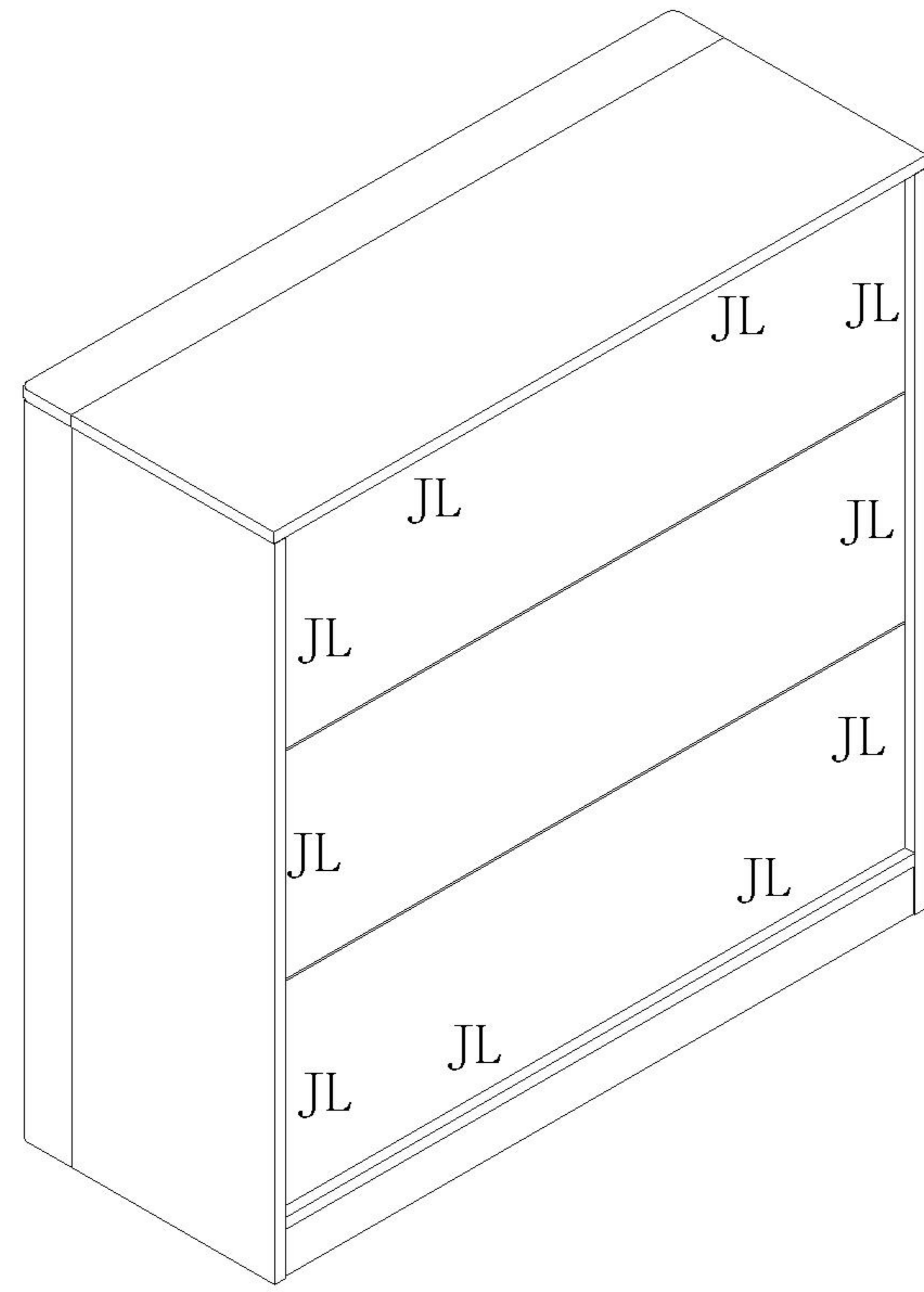
12

安装方法  
Installation method

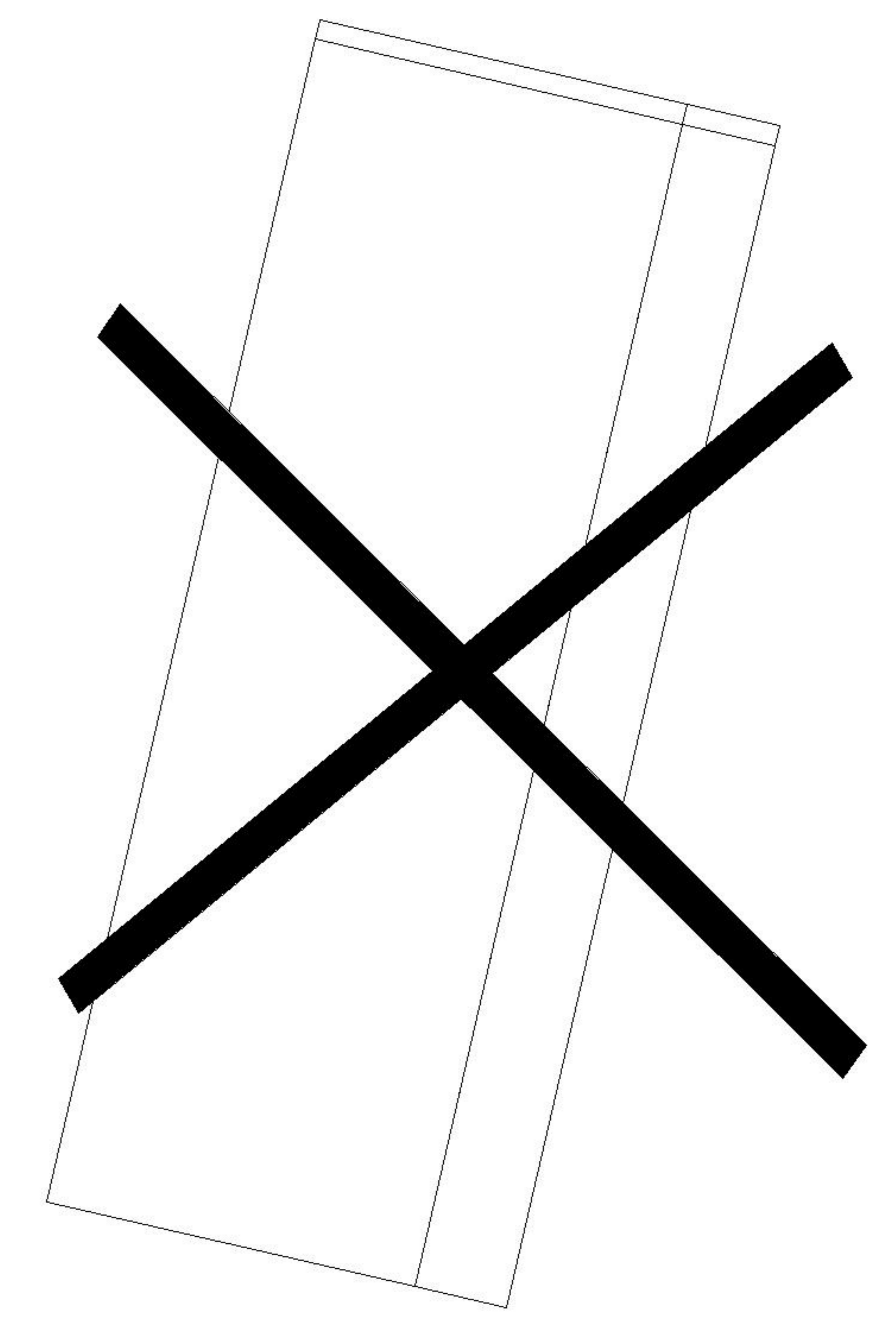
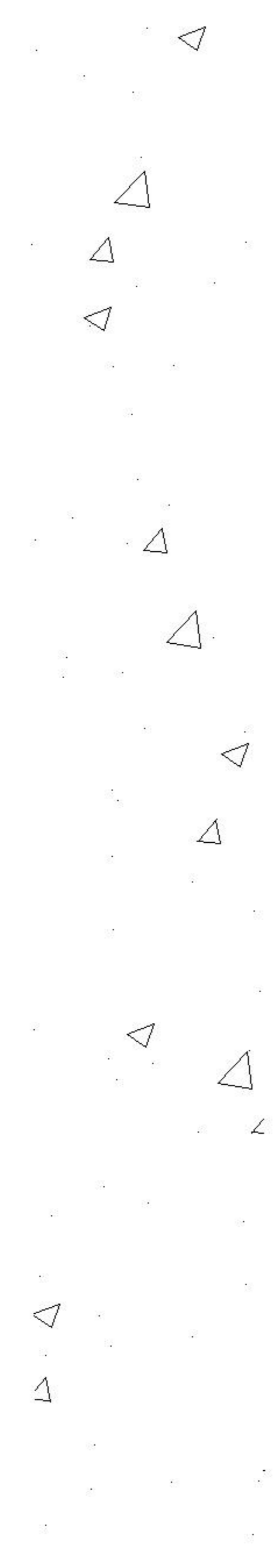
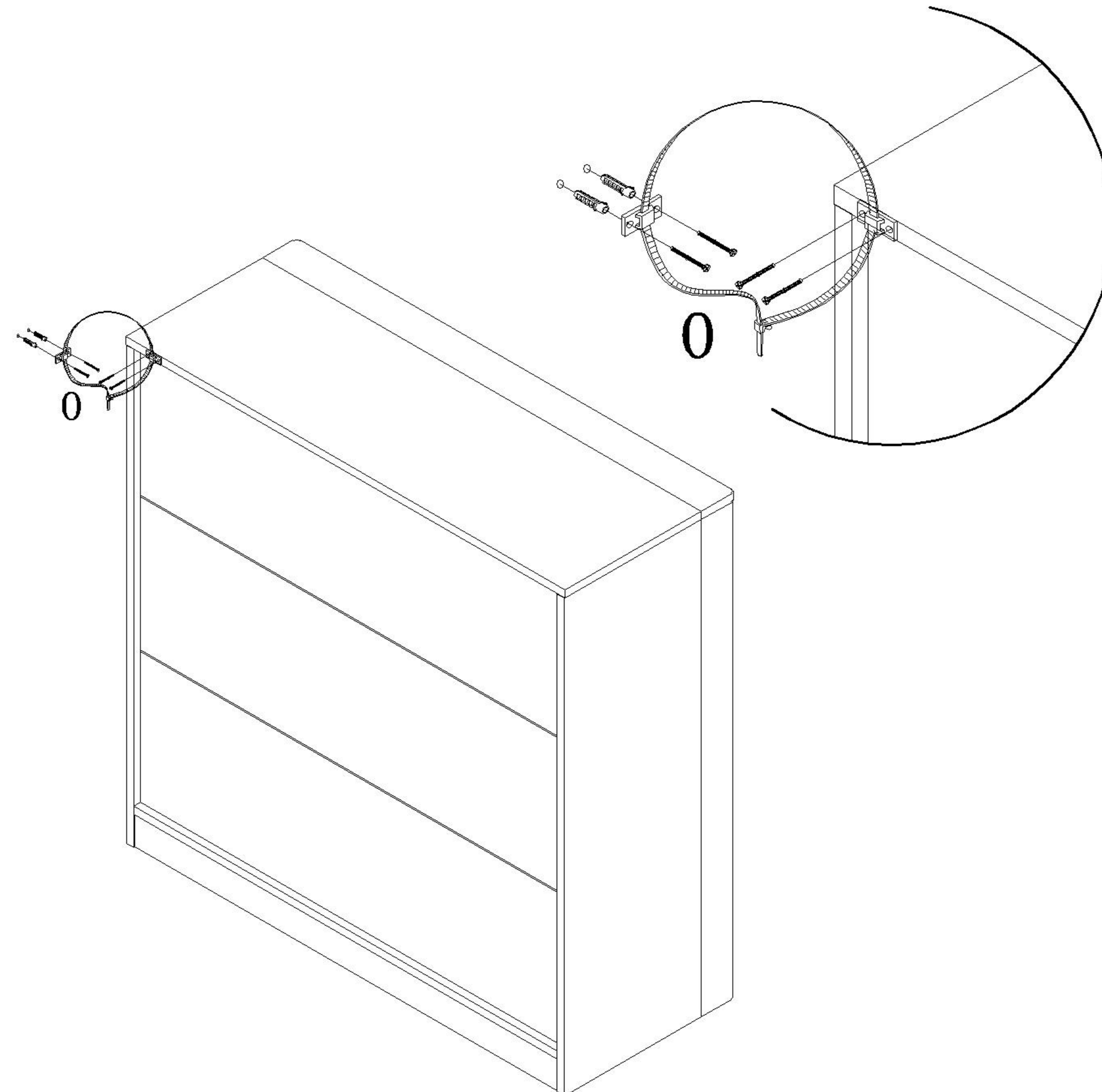
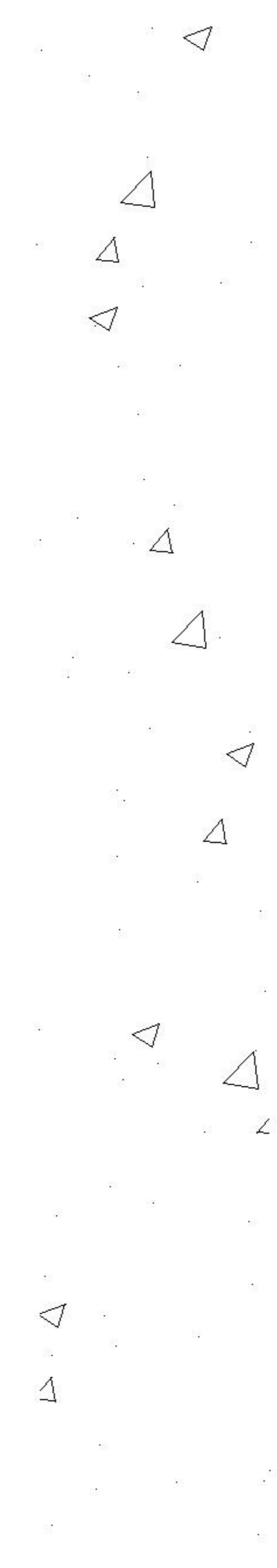
(J)\*10



(L)\*10



(O)\*1



13