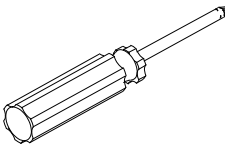
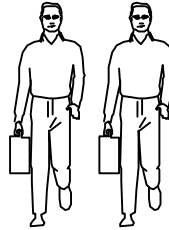


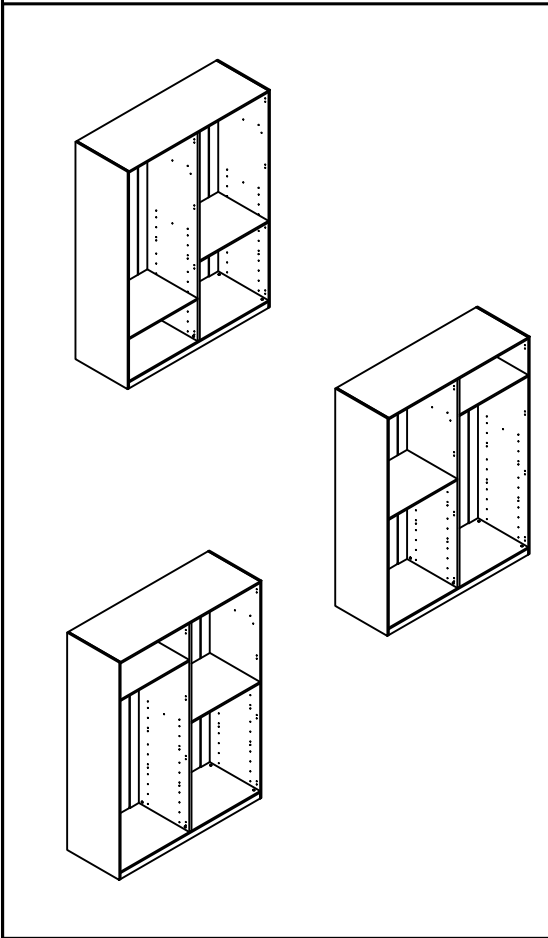
LINSY 林氏家居

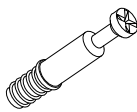
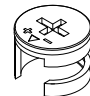
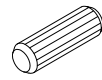
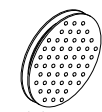
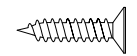
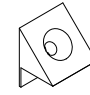
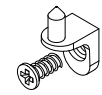

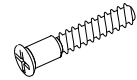
五金表/Hardware list

部件表/Parts List

安装示意图/Assembly Instruction

产品名称 Model NO.	U07D-A 四门衣柜柜体
产品规格 Specification	1587*582*2103mm
安装工具 Tool	安装人数 Installer
	

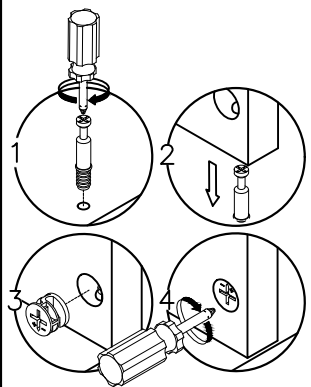


 (A)*46 二合一螺杆 2-in-1-screw	 (B)*46 大三合一锁饼 3-in-1 large lock	 (C)*17 木榫Ø8x30mm Wood tenon	 (D)*2 透气孔盖-白色 Vent cover - white
 (E)*13 自攻螺丝M3.5*16mm Tapping screw	 (F)*13 背板扣 White buckle	 (G)*8 层板托5mm shelf support	 (H)*14 灰色毛毡垫 Foot pad
 (I)*2 过山丝-M7x38mm Confirmat screw			

编号NO.	名称Name	规格(mm) Specification	数量QTY	材质Material
①	顶板Top board	1557*582*15	1	三胺板 Melamine
②	底板Bottom board	1557*582*15	1	三胺板 Melamine
③	前脚条Front foot strip	1557*58*15	2	三胺板 Melamine
④	中脚条Middle foot strip	550*58*15	1	三胺板 Melamine
⑤	大层板Big shelf	765*560*15	2	三胺板 Melamine
⑥	左侧板Side board (L)	2100*582*15	1	三胺板 Melamine
⑦	右侧板Side board (R)	2100*582*15	1	三胺板 Melamine
⑧	中侧板Middle side board	2012*562*25	1	三胺板 Melamine
⑨	边背拉条Side back brace	2012*101*15	2	三胺板 Melamine
⑩	背拉条Back brace	2012*228*15	1	三胺板 Melamine
⑪	大背板Big backboard	2022*575*5	2	三胺板 Melamine
⑫				
⑬				
⑭				
⑮				
⑯				
⑰				
⑱				
⑲				
⑳				
㉑				
㉒				
㉓				
㉔				
㉕				

安装方法

Installation method



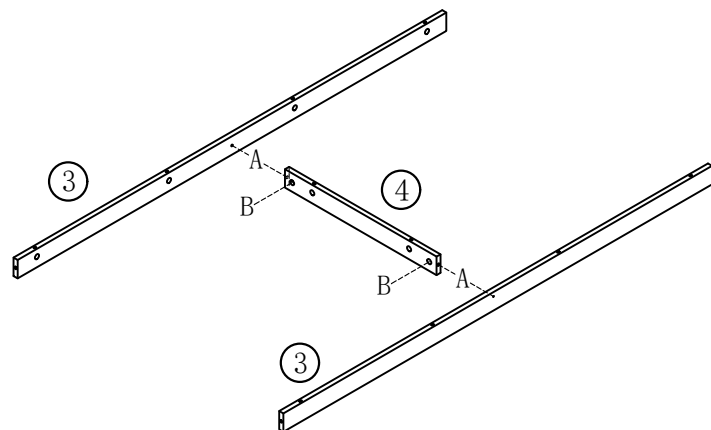
二合一 two-in-one



(A)*2



(B)*2



1



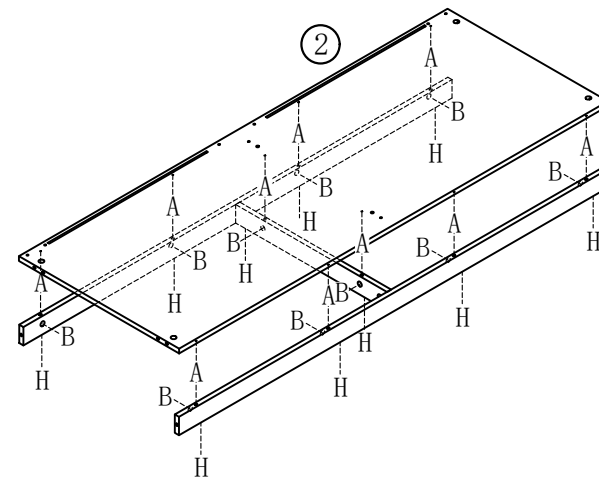
(A)*10



(B)*10



(H)*10



2



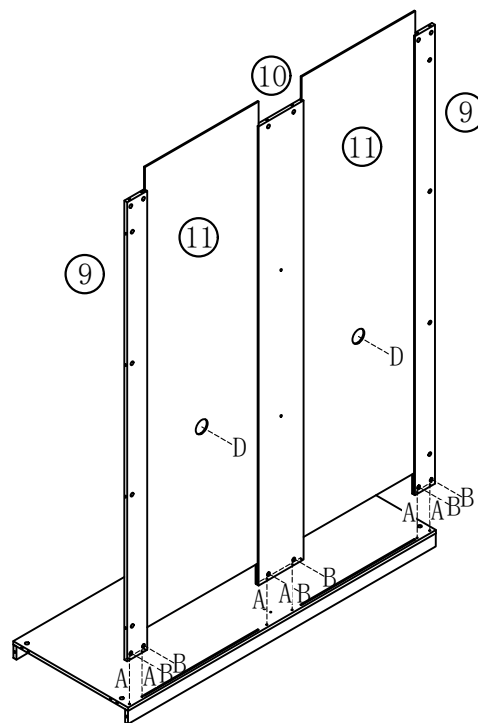
(A)*6



(B)*6



(D)*2



3



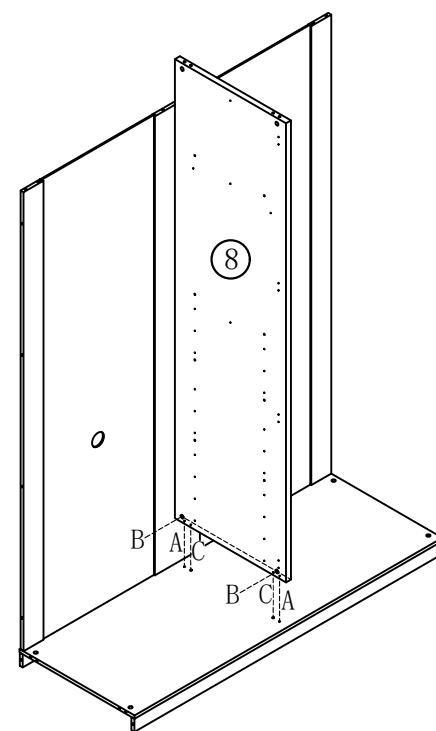
(A)*2



(B)*2



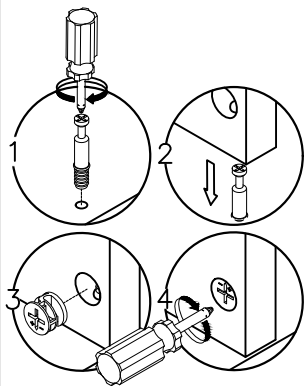
(C)*2



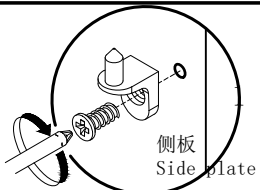
4

安装方法

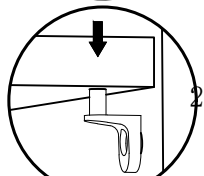
Installation method



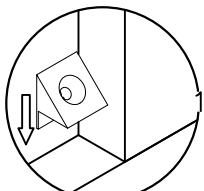
二合一 two-in-one



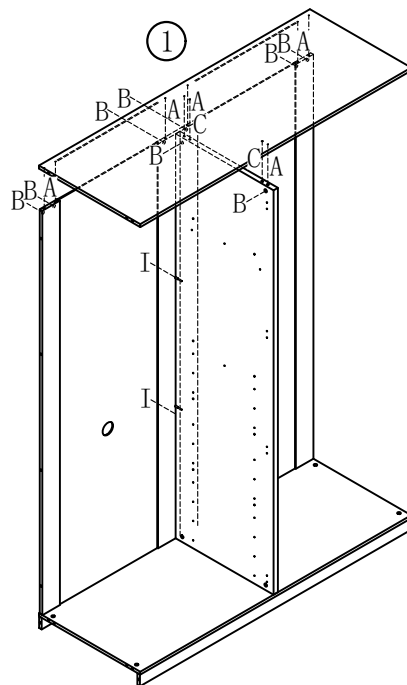
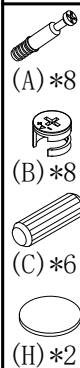
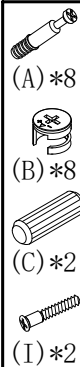
侧板
Side plate



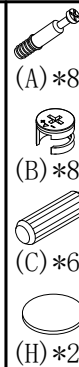
层板托5mm
shelf support



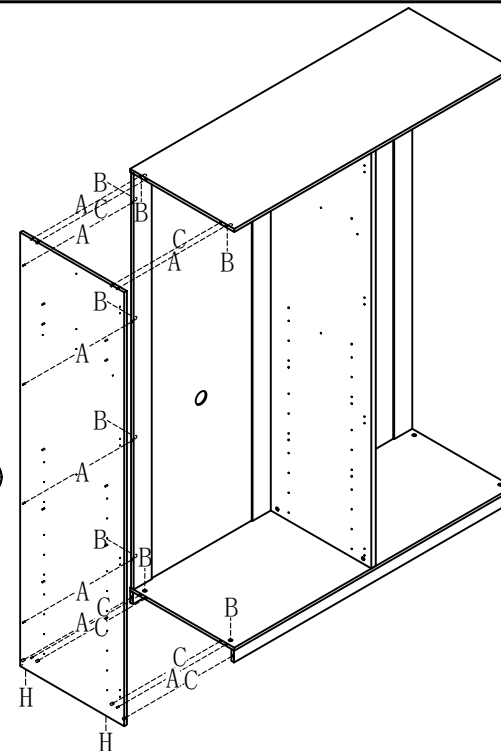
背板扣
Back Plate Buckle



5



6

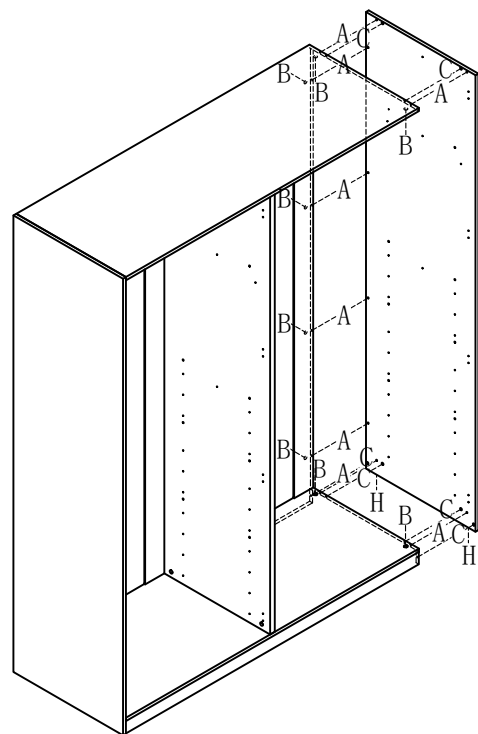


6

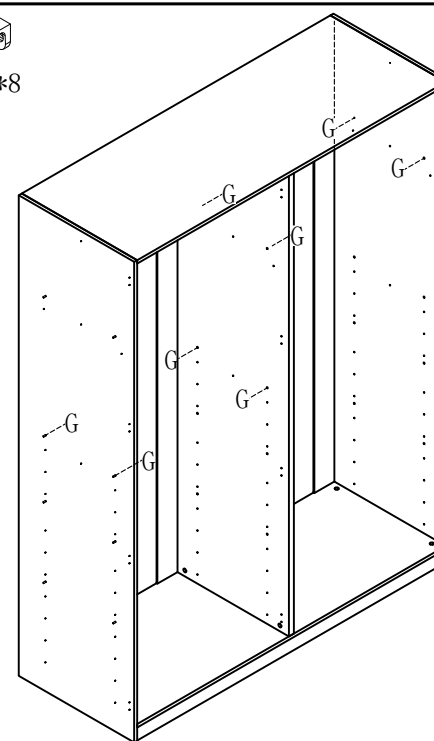
7



7



8

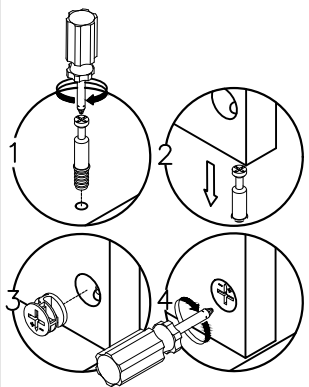


注意：此步骤根据选购的款式进行安装，具体安装位置见组合安装图

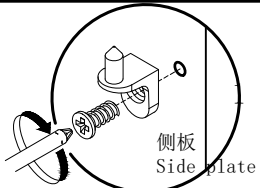
Note: This step is installed according to the selected style, and the specific installation location is shown in the combination installation diagram

安装方法

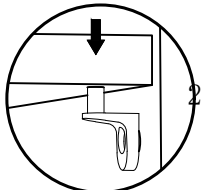
Installation method



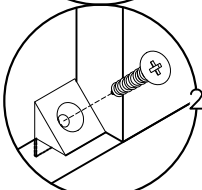
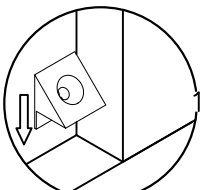
二合一 two-in-one



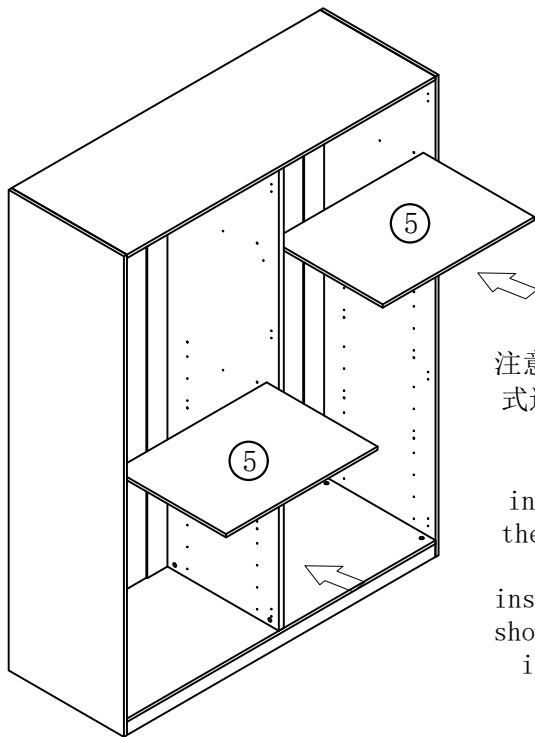
侧板 Side plate



层板托5mm shelf support



背板扣 Back Plate Buckle



注意：此步骤根据选购的款式进行安装,具体安装位置见组合安装图

Note: This step is installed according to the selected style, and the specific installation location is shown in the combination installation diagram

9

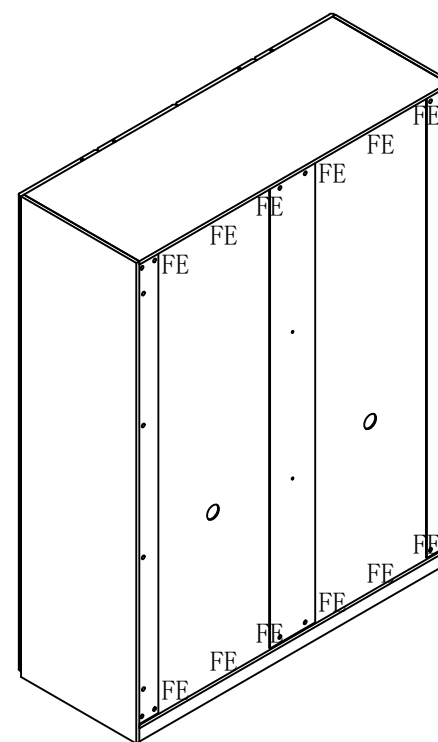


(F)*12



(E)*12

10

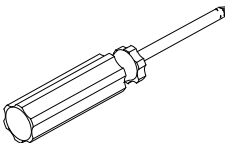
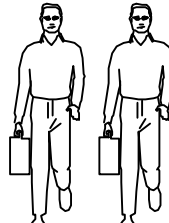


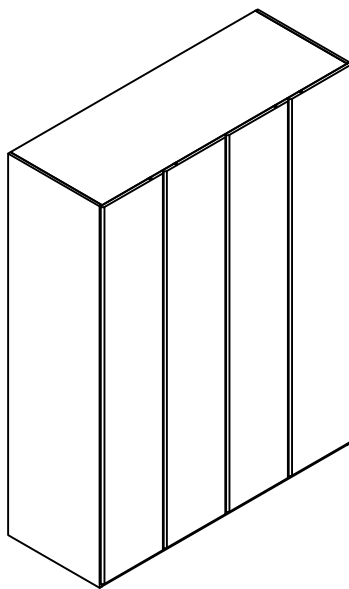
11

12


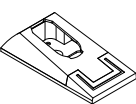

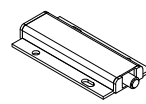
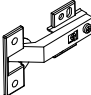

LINSY 林氏家居

安装示意图/Assembly Instruction

产品名称 Model NO.	U08D-A/U09D-A
产品规格 Specification	1587*600*2103mm
安装工具 Tool	安装人数 Installer
	



五金表/Hardware list

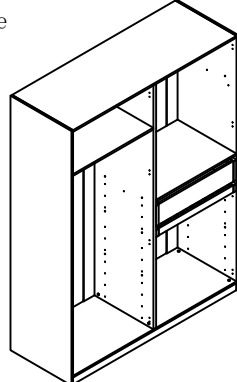
 (A)*25 自攻螺丝M3.5*12mm Tapping screw	 (B)*4 挂衣托F874-B Clothes hanger	 (C)*2 挂衣杆-L=758mm Clothes hanging rod	 (D)*4 反弹器 Rebounder
 (E)*16 缓冲门铰直弯-杯035 Straight bend hinge	 (F)*1 内六角扳手4mm Hexagon wrench		

温馨提示：根据购买款式选择款式安装
Kind reminder: Choose a style to install according to the purchased style

部件表/Parts List

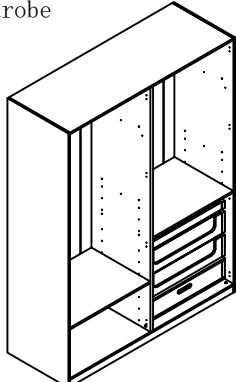
编号NO.	名称Name	规格(mm) Specification	数量QTY	材质Material
①	U07D-A 四门衣柜柜体 Four door wardrobe cabinet body	1587*582*2103	1	三胺板 Melamine
②	U01D-A 两门衣柜门板 Two door wardrobe door panels	2074*395*18	2	三胺板 Melamine
③	U02D-A 大抽屉副柜 Large drawer sub cabinet	766*480*170	1	三胺板 Melamine
④	U02D-A 挂裤架 Trousers hanger	766*560*58	1	三胺板 Melamine

U08D-A 四门衣柜
U07D-A Four door wardrobe

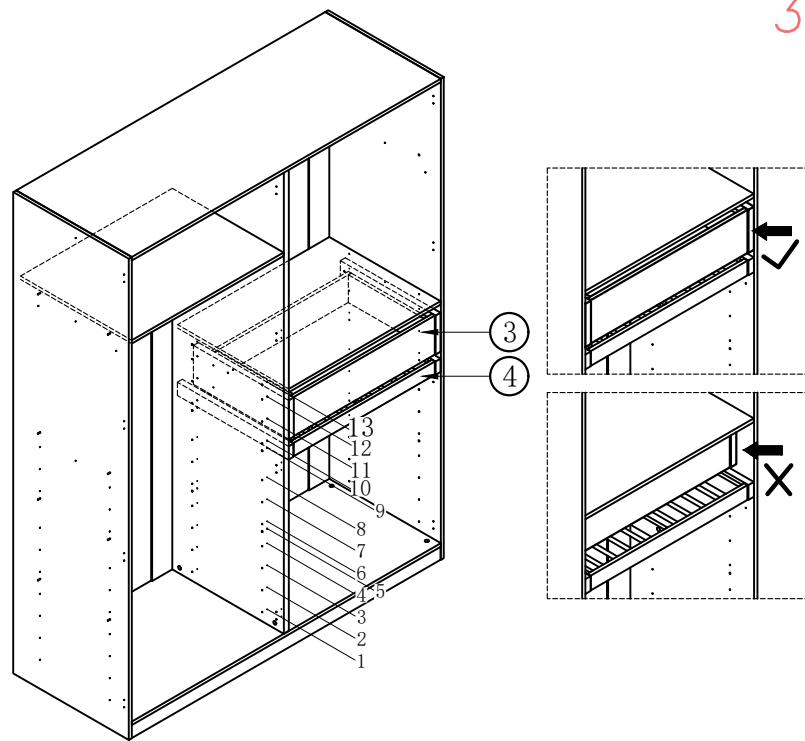
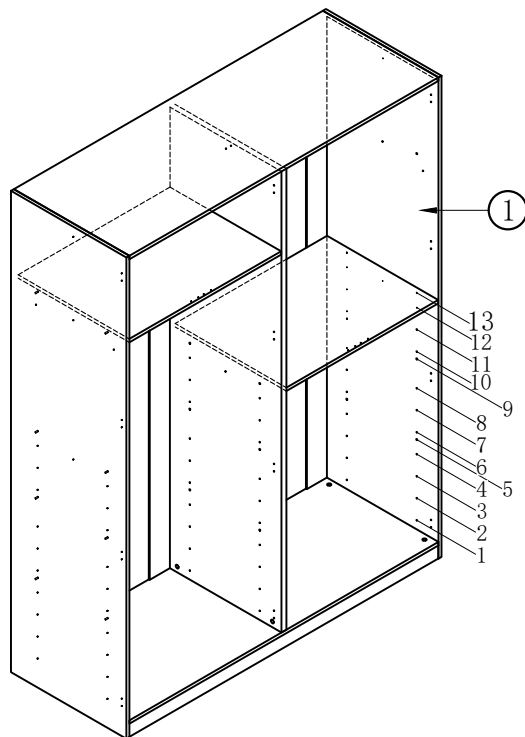
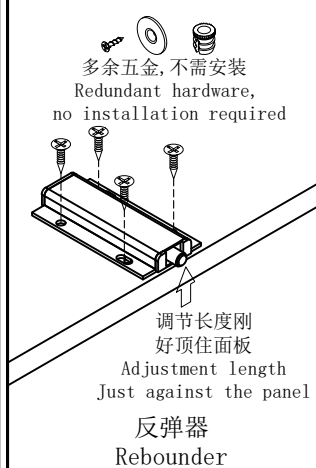
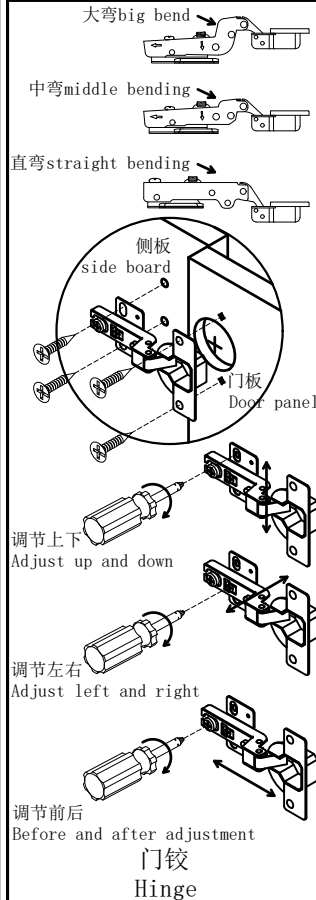


①	U07D-A 四门衣柜柜体 Four door wardrobe cabinet body	1587*582*2103	1	三胺板 Melamine
②	U01D-A 两门衣柜门板 Two door wardrobe door panels	2074*395*18	2	三胺板 Melamine
⑤	U06D-A 叠衣板抽屉 Folding board drawer	766*480*58	1	三胺板 Melamine
⑥	U03D-A 亚克力抽面副柜 Acrylic Faceted Sub Cabinet	766*480*170	2	三胺板+亚克力 Melamine+Acrylic
⑦	U09D-A 指纹锁抽屉 Fingerprint lock drawer	766*480*170	1	三胺板 Melamine

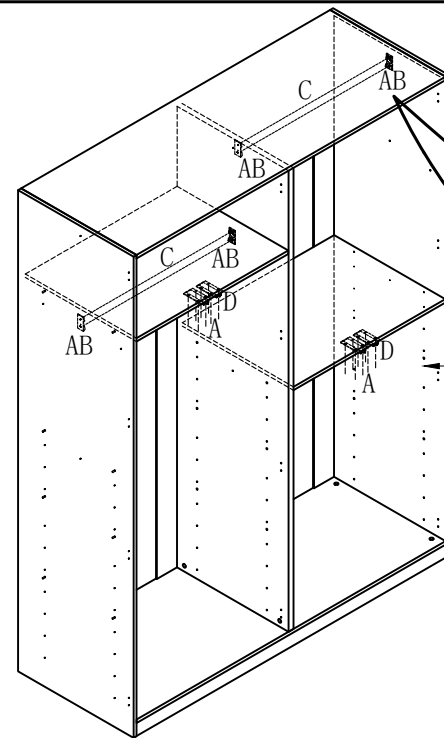
U09D-A 四门衣柜
U09D-A Four door wardrobe



安装方法
Installation method



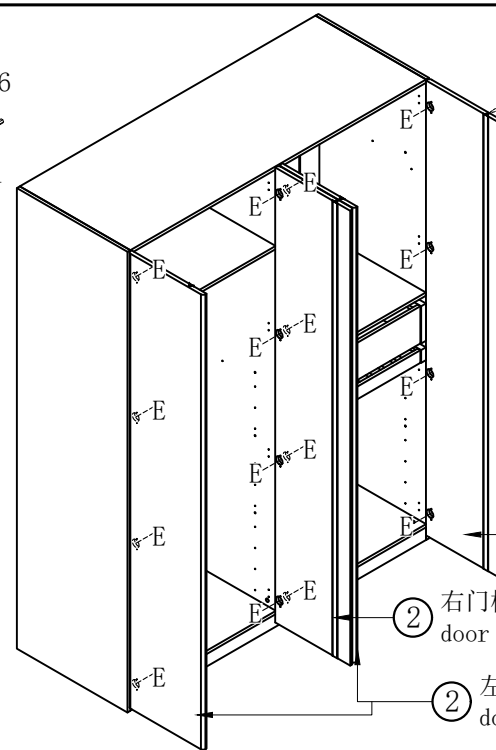
- 1 (A) *24
- (B) *4
- (C) *2
- (D) *4



2 将五金B的盖子拆开再锁
Remove the cover of hardware B and lock it

将五金C套进五金B的盖子再盖在五金B的底座上
Put hardware C into the cover of hardware B and then cover the base of hardware B

- 3 (E) *16
- (F) *1



4 注意朝上安装, 如门板弯曲可在此处用五金 (F) 调节
Pay attention to installing upwards. If the door panel is bent, it can be adjusted here with hardware (F)

② 右门板 door plank (R)

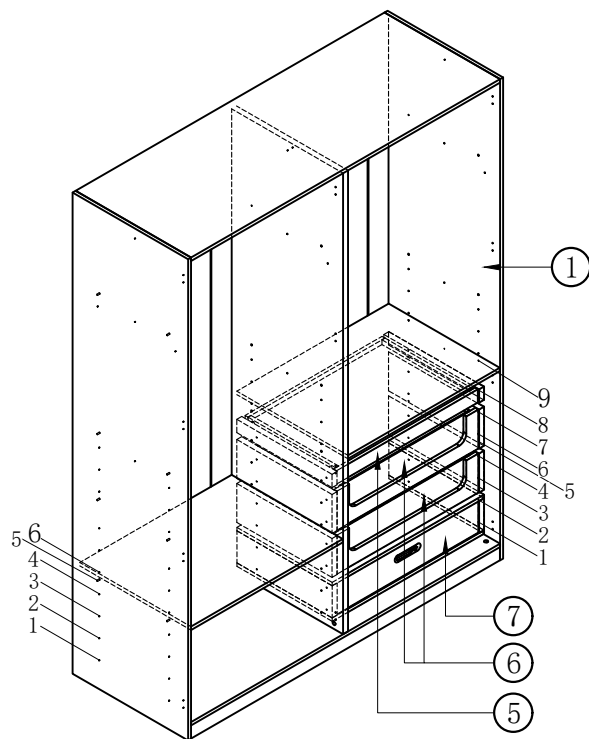
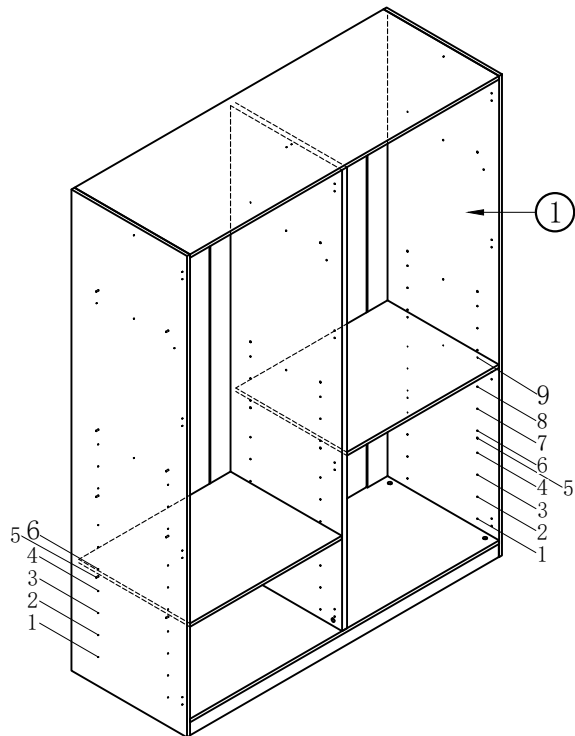
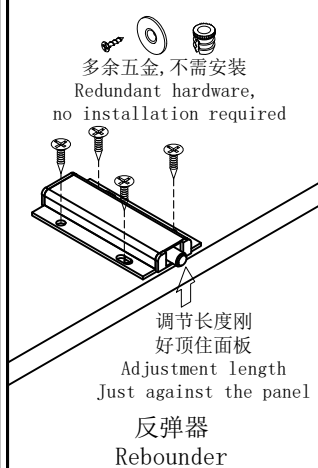
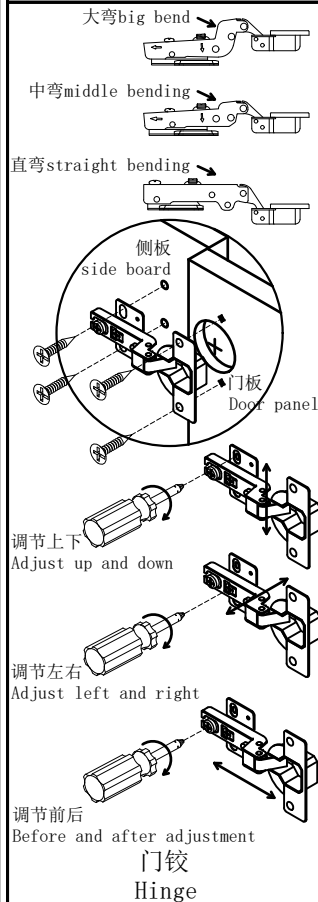
② 右门板 door plank (R)

② 左门板 door plank (L)

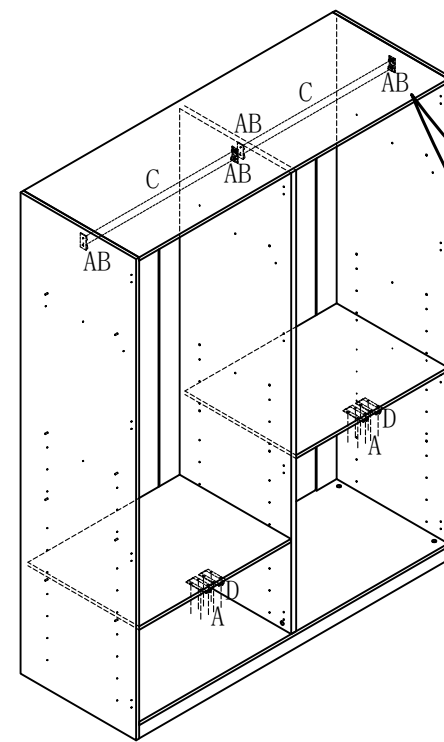
U08D-A/U09D-A

U09D-A

安装方法
Installation method

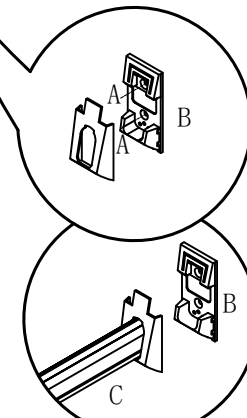


- 5
- (A) *24
 - (B) *4
 - (C) *2
 - (D) *4



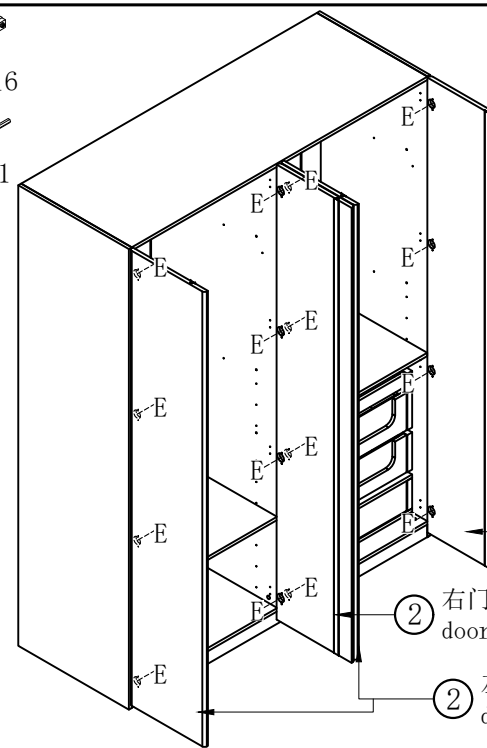
6

将五金B的盖子拆开再锁
Remove the cover of hardware B and lock it



将五金C套进五金B的盖子再盖在五金B的底座上
Put hardware C into the cover of hardware B and then cover the base of hardware B

- 7
- (E) *16
 - (F) *1



8

注意朝上安装, 如门板弯曲可在此处用五金(F)调节
Pay attention to installing upwards. If the door panel is bent, it can be adjusted here with hardware (F)

② 右门板 door plank (R)

② 右门板 door plank (R)

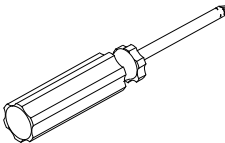

② 左门板 door plank (L)

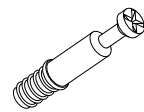
LINSY 林氏家居

五金表/Hardware list

部件表/Parts List

安装示意图/Assembly Instruction

产品名称 Model NO.	U02D-A 大抽屉副柜
产品规格 Specification	766*480*170mm
安装工具 Tool	安装人数 Installer
	



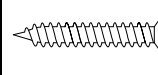
(A)*13
二合一螺杆
2-in-1-screw



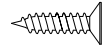
(B)*13
大三合一锁饼
3-in-1 large lock



(C)*1
三节滚珠导轨14"
Three-section rail

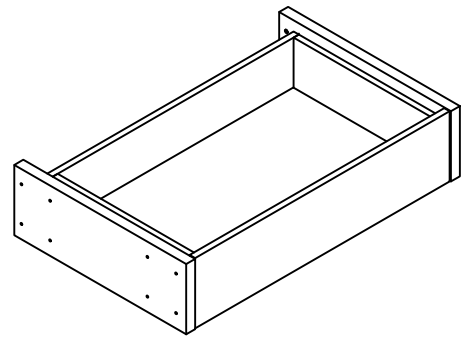


(D)*8
自攻螺丝M4*35mm
Tapping screw



(E)*15
自攻螺丝M3.5*12mm
Tapping screw

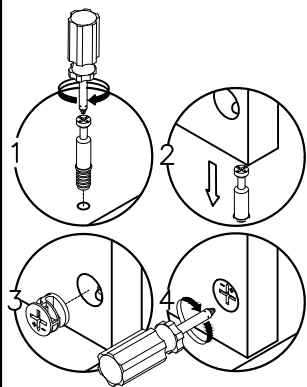
编号NO.	名称Name	规格(mm) Specification	数量QTY	材质Material
①	侧板Side board	480*170*25	2	三胺板 Melamine
②	抽屉面板 Drawer's top panel	711*170*15	1	三胺板 Melamine
③	抽屉侧板 Drawer's side board	395*142*15	2	三胺板 Melamine
④	抽屉后板 Drawer's Back board	689*142*15	1	三胺板 Melamine
⑤	抽屉底托条 Drawer's bottom bracket	395*58*15	1	三胺板 Melamine
⑥	抽屉底板 Drawer's Bottom board	669*405*5	1	三胺板 Melamine
⑦				
⑧				
⑨				
⑩				
⑪				
⑫				
⑬				
⑭				
⑮				
⑯				
⑰				
⑱				
⑲				
⑳				
㉑				
㉒				
㉓				
㉔				
㉕				



U02D-A 大抽屉副柜

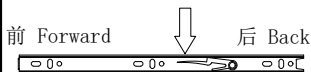
安装方法

Installation method

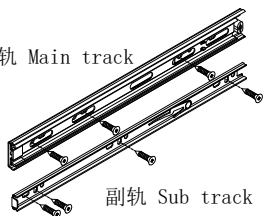


二合一 two-in-one

阀门开关(下压为开)
Valve switch (press down to open)



主轨 Main track



副轨 Sub track

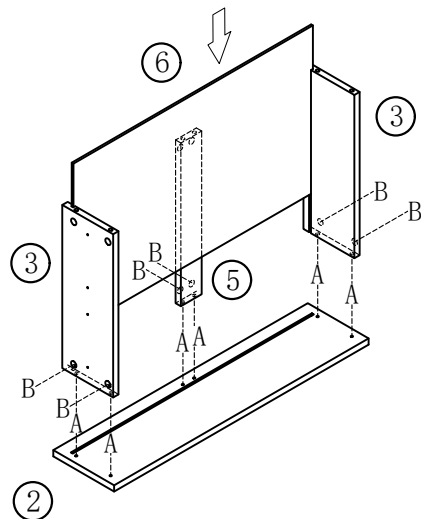
三节滚珠导轨-14"
Three-section rail



(A)*6



(B)*6



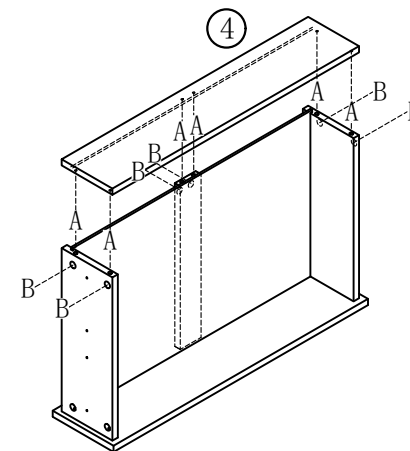
1



(A)*6



(B)*6



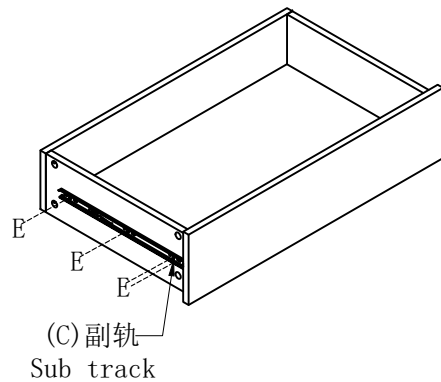
2



(C)*1



(E)*8



3

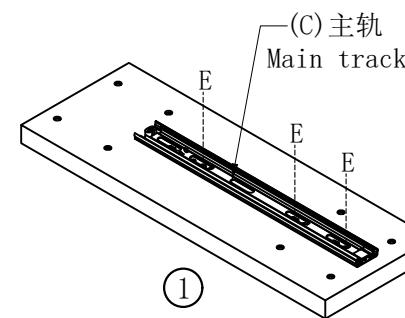


(C)*1

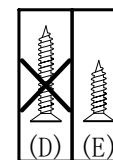
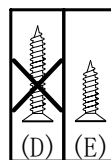


(E)*6

× 2



4



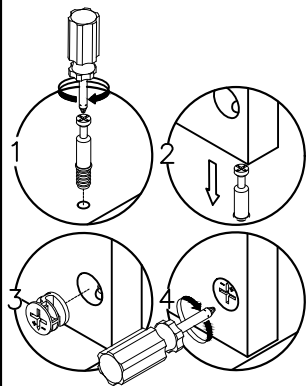
U02D-A 大抽屉副柜

5

6

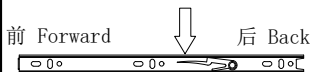
安装方法

Installation method

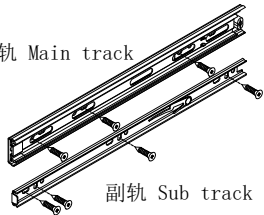


二合一 two-in-one

阀门开关(下压为开)
Valve switch (press down to open)



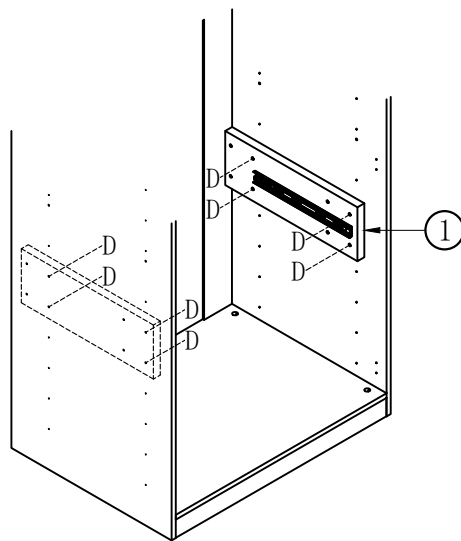
主轨 Main track



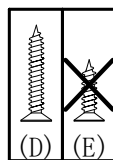
副轨 Sub track

三节滚珠导轨-14"
Three-section rail

(D)*8

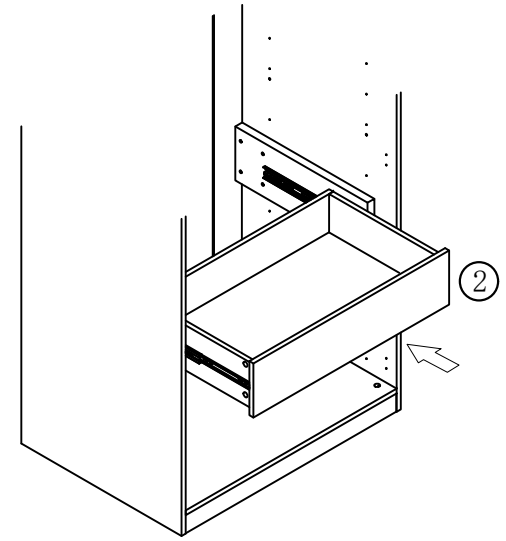


注意：此步骤根据选购的款式进行安装, 具体安装位置见组合安装图
 Note: This step is installed according to the selected style, and the specific installation location is shown in the combination installation diagram



7

8

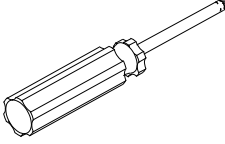



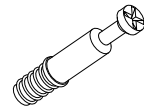
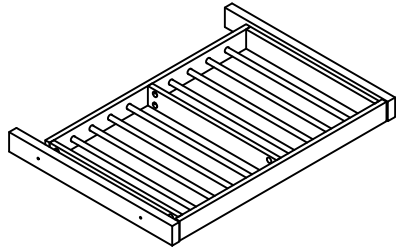
LINSY 林氏家居

五金表/Hardware list

部件表/Parts List

安装示意图/Assembly Instruction

产品名称 Model NO.	U02D-A 挂裤架
产品规格 Specification	766*560*58mm
安装工具 Tool	安装人数 Installer
	



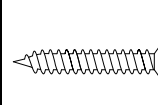
(A)*13
二合一螺杆
2-in-1-screw



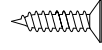
(B)*13
大三合一锁饼
3-in-1 large lock



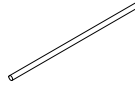
(C)*1
三节滚珠导轨14"
Three-section rail



(D)*4
自攻螺丝M4*35mm
Tapping screw



(E)*15
自攻螺丝M3.5*12mm
Tapping screw



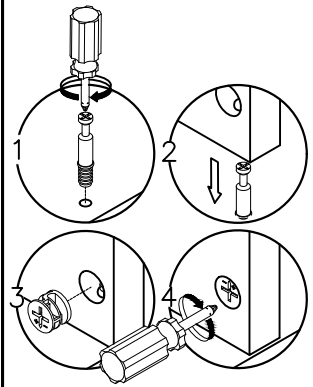
(F)*8
圆管-φ14*460
Round tube

编号NO.	名称Name	规格(mm) Specification	数量QTY	材质Material
①	侧板Side board	560*58*25	2	三胺板 Melamine
②	裤架面板 Pant rack panel	711*58*15	1	三胺板 Melamine
③	裤架后板 Pant rack back panel	690*58*15	1	三胺板 Melamine
④	裤架侧板 Pant rack side panel	442*58*15	2	三胺板 Melamine
⑤	中拉条Middle brace	442*58*15	1	三胺板 Melamine
⑥				
⑦				
⑧				
⑨				
⑩				
⑪				
⑫				
⑬				
⑭				
⑮				
⑯				
⑰				
⑱				
⑲				
⑳				
㉑				
㉒				
㉓				
㉔				
㉕				

U02D-A 挂裤架

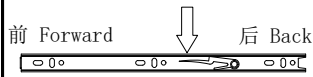
安装方法

Installation method

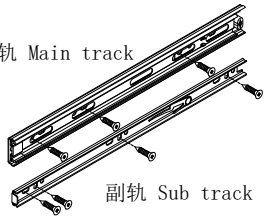


二合一 two-in-one

阀门开关(下压为开)
Valve switch (press down to open)

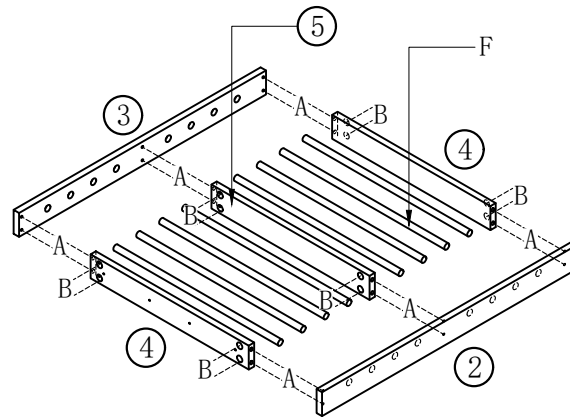
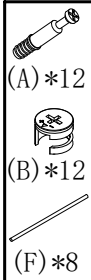


主轨 Main track

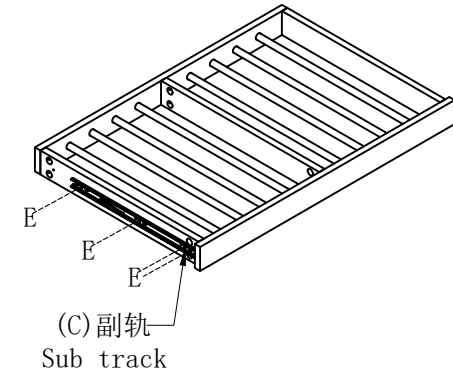
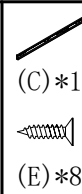


副轨 Sub track

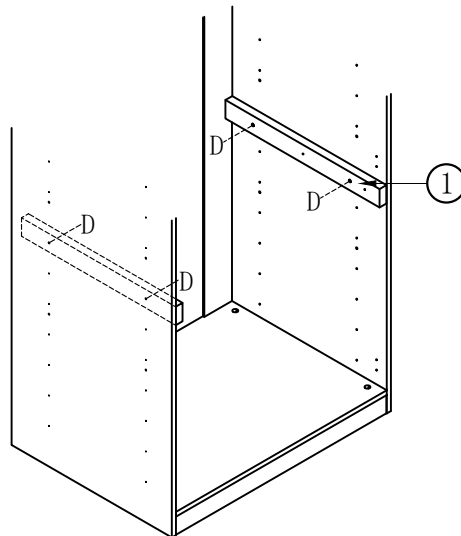
三节滚珠导轨-14"
Three-section rail



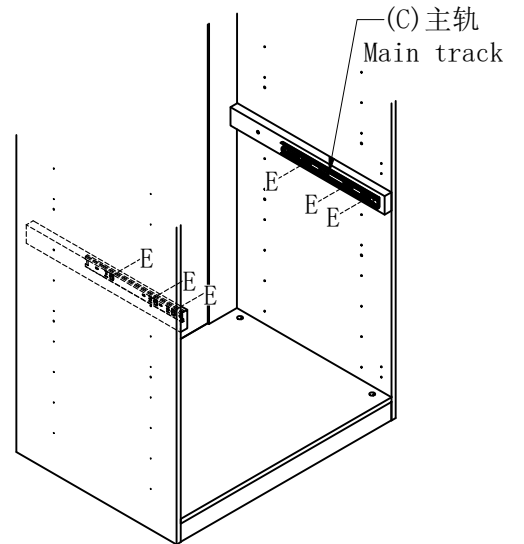
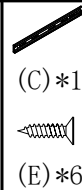
1



2



3



4

注意：此步骤根据选购的款式进行安装，具体安装位置见组合安装图

Note: This step is installed according to the selected style, and the specific installation location is shown in the combination installation diagram

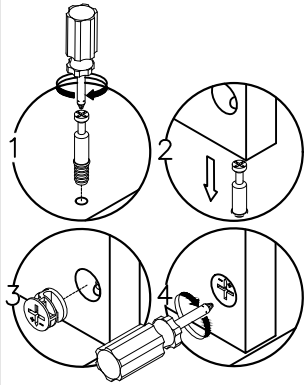
U02D-A 挂裤架

5

6

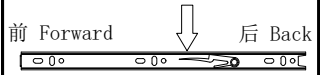
安装方法

Installation method

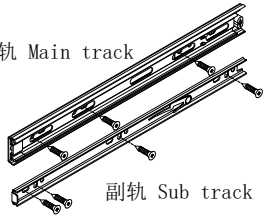


二合一 two-in-one

阀门开关(下压为开)
Valve switch (press down to open)

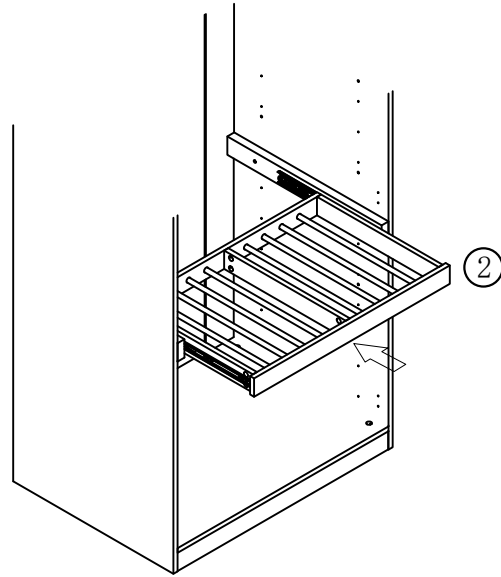


主轨 Main track



副轨 Sub track

三节滚珠导轨-14"
Three-section rail



7

8