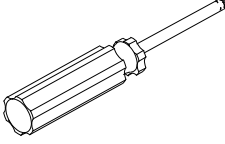
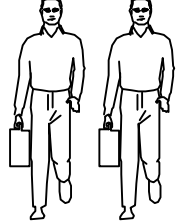


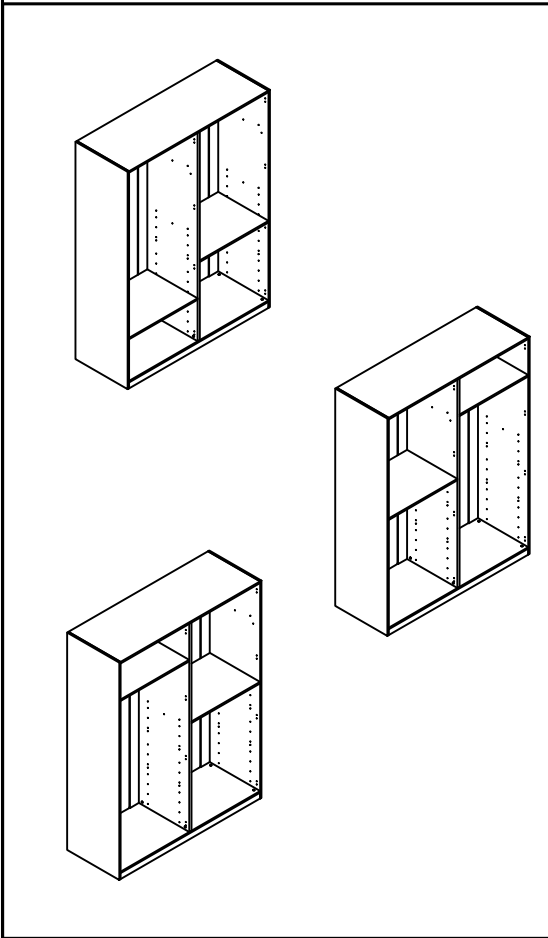
LINSY 林氏家居

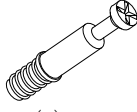
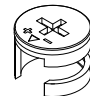
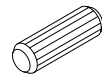
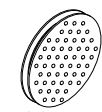
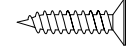
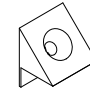
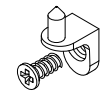

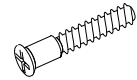
五金表/Hardware list

部件表/Parts List

安装示意图/Assembly Instruction

产品名称 Model NO.	U07D-A 四门衣柜柜体
产品规格 Specification	1587*582*2103mm
安装工具 Tool	安装人数 Installer
	

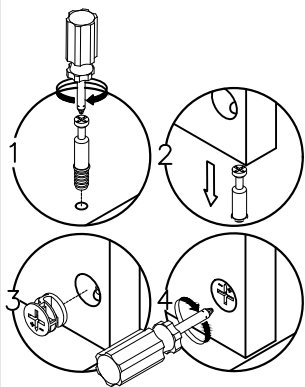


 (A)*46 二合一螺杆 2-in-1-screw	 (B)*46 大三合一锁饼 3-in-1 large lock	 (C)*17 木榫Ø8x30mm Wood tenon	 (D)*2 透气孔盖-白色 Vent cover - white
 (E)*13 自攻螺丝M3.5*16mm Tapping screw	 (F)*13 背板扣 White buckle	 (G)*8 层板托5mm shelf support	 (H)*14 灰色毛毡垫 Foot pad
 (I)*2 过山丝-M7x38mm Confirmat screw			

编号NO.	名称Name	规格(mm) Specification	数量QTY	材质Material
①	顶板Top board	1557*582*15	1	三胺板 Melamine
②	底板Bottom board	1557*582*15	1	三胺板 Melamine
③	前脚条Front foot strip	1557*58*15	2	三胺板 Melamine
④	中脚条Middle foot strip	550*58*15	1	三胺板 Melamine
⑤	大层板Big shelf	765*560*15	2	三胺板 Melamine
⑥	左侧板Side board (L)	2100*582*15	1	三胺板 Melamine
⑦	右侧板Side board (R)	2100*582*15	1	三胺板 Melamine
⑧	中侧板Middle side board	2012*562*25	1	三胺板 Melamine
⑨	边背拉条Side back brace	2012*101*15	2	三胺板 Melamine
⑩	背拉条Back brace	2012*228*15	1	三胺板 Melamine
⑪	大背板Big backboard	2022*575*5	2	三胺板 Melamine
⑫				
⑬				
⑭				
⑮				
⑯				
⑰				
⑱				
⑲				
⑳				
㉑				
㉒				
㉓				
㉔				
㉕				

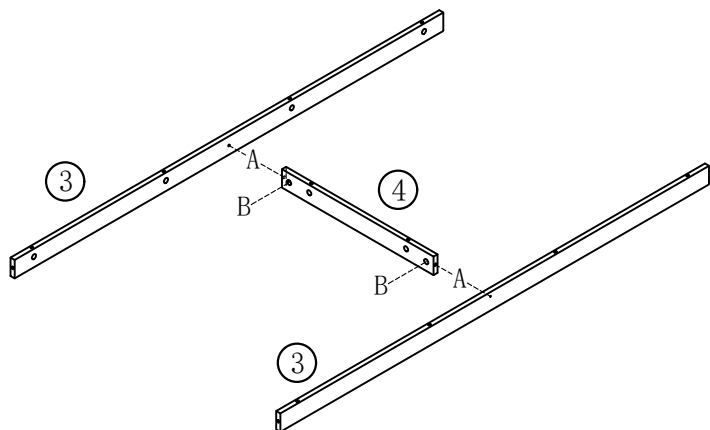
安装方法

Installation method

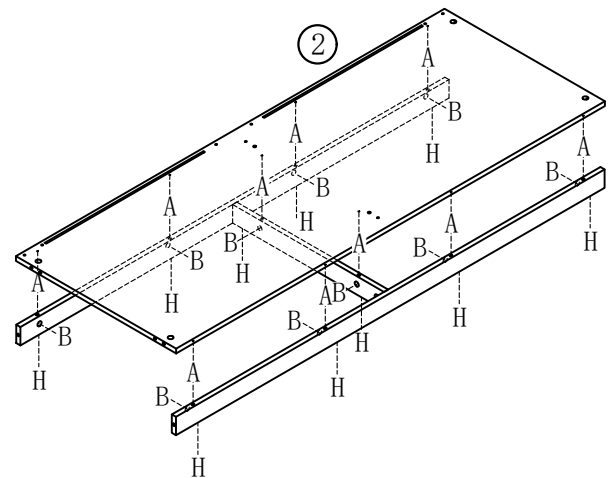


二合一 two-in-one

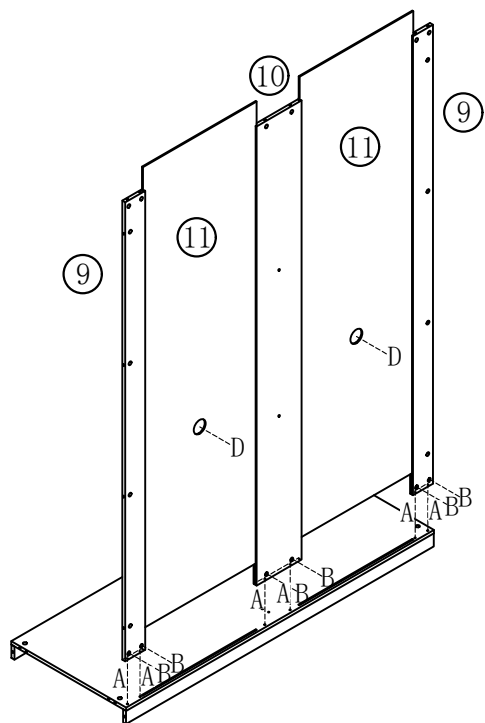
- (A)*2
- (B)*2



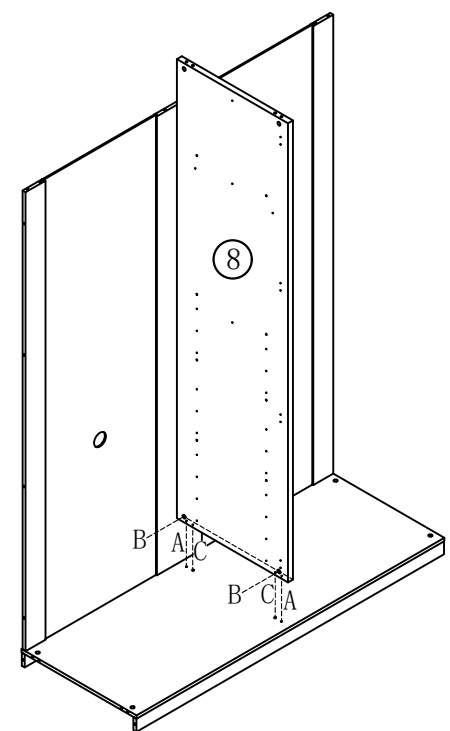
- 1
- (A)*10
 - (B)*10
 - (H)*10



- (A)*6
- (B)*6
- (D)*2

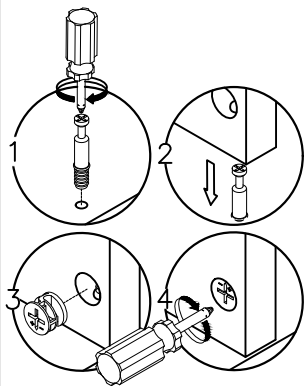


- 3
- (A)*2
 - (B)*2
 - (C)*2

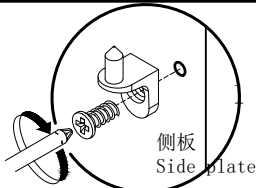


安装方法

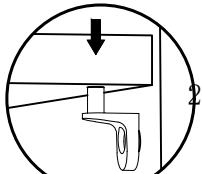
Installation method



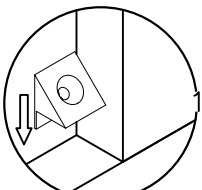
二合一 two-in-one



侧板 Side plate



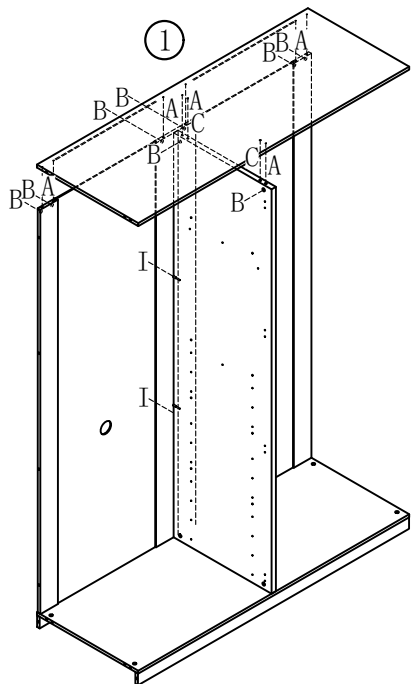
层板托5mm shelf support



背板扣 Back Plate Buckle

- (A)*8
- (B)*8
- (C)*2
- (I)*2

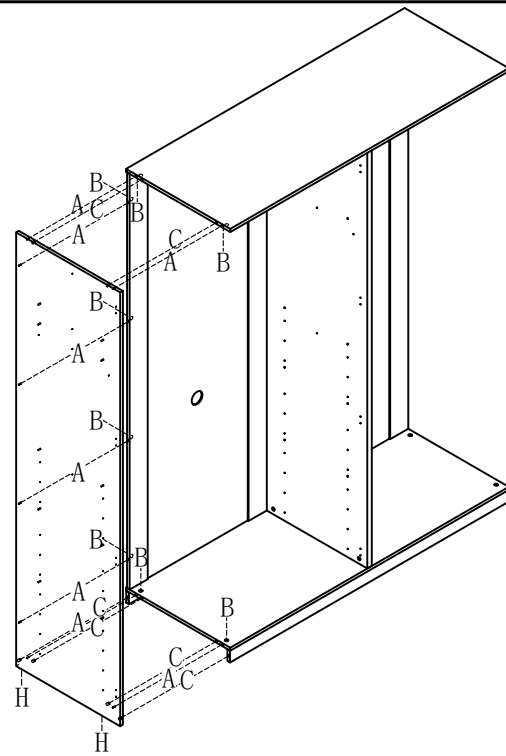
- (A)*8
- (B)*8
- (C)*6
- (H)*2



5

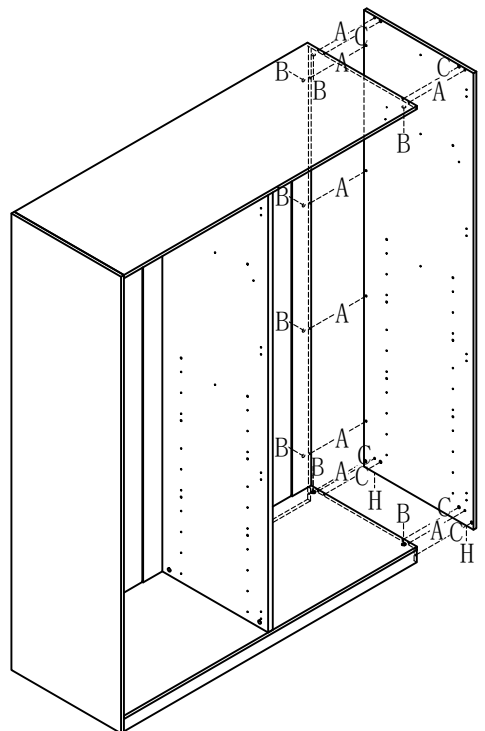
- (A)*8
- (B)*8
- (C)*6
- (H)*2

6



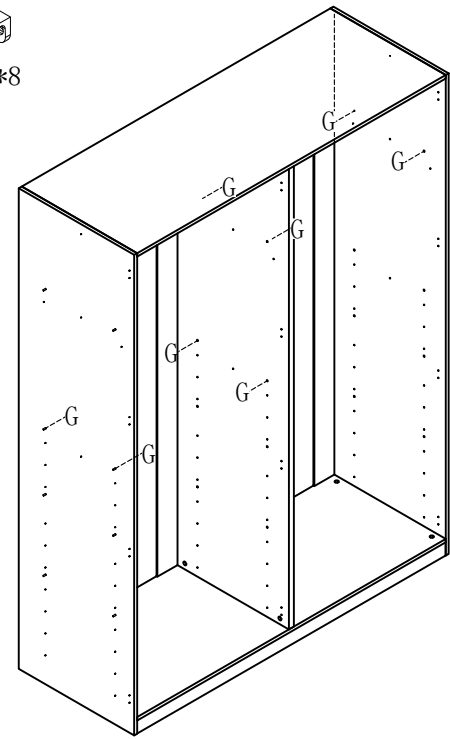
6

7



7

- (G)*8

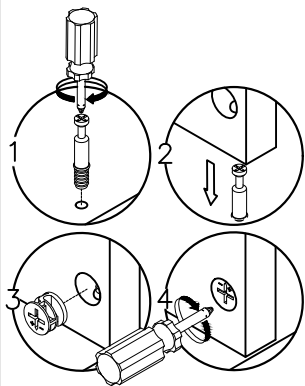


8

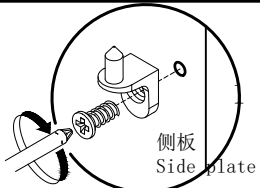
注意：此步骤根据选购的款式进行安装，具体安装位置见组合安装图
 Note: This step is installed according to the selected style, and the specific installation location is shown in the combination installation diagram

安装方法

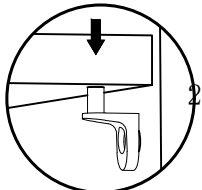
Installation method



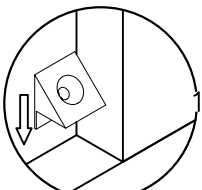
二合一 two-in-one



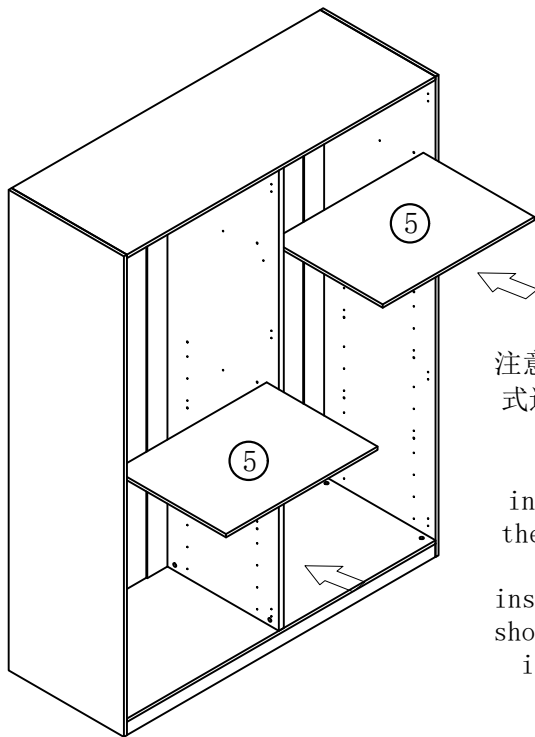
侧板
Side plate



层板托5mm
shelf support



背板扣
Back Plate Buckle



注意：此步骤根据选购的款式进行安装,具体安装位置见组合安装图

Note: This step is installed according to the selected style, and the specific installation location is shown in the combination installation diagram

9

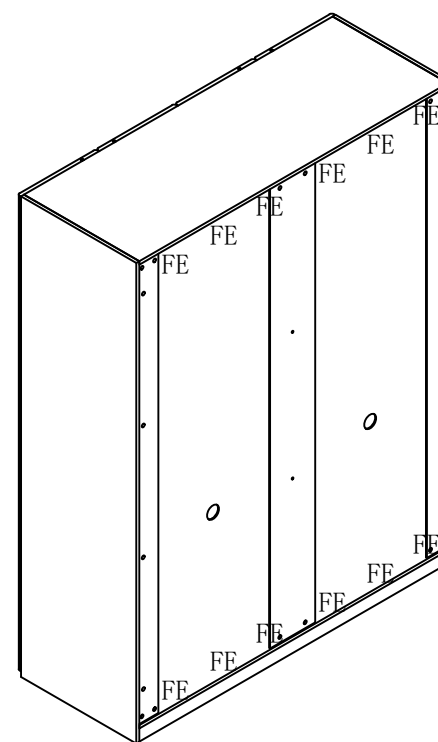


(F)*12



(E)*12

10



11

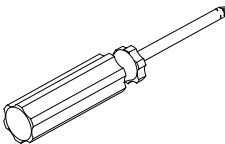
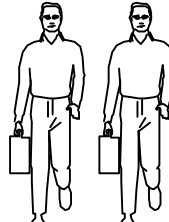
12

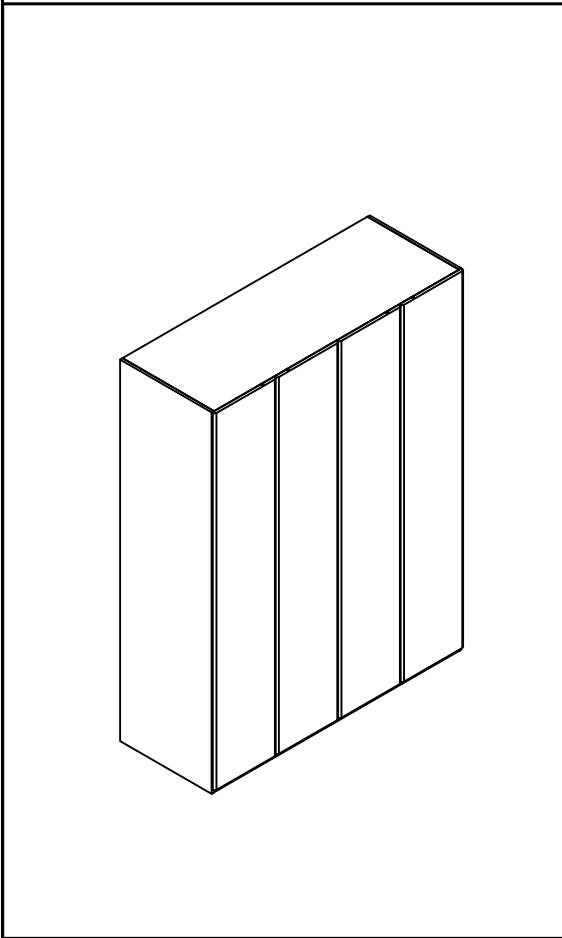
LINSY 林氏家居


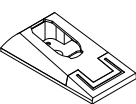

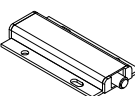
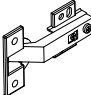

五金表/Hardware list

部件表/Parts List

安装示意图/Assembly Instruction

产品名称 Model NO.	U07D-A
产品规格 Specification	1587*600*2103mm
安装工具 Tool	安装人数 Installer
	



			
(A)*29 自攻螺丝M3.5*12mm Tapping screw	(B)*6 挂衣托F874-B Clothes hanger	(C)*3 挂衣杆-L=758mm Clothes hanging rod	(D)*4 反弹器 Rebounder
			
(E)*16 缓冲门铰直弯-杯035 Straight bend hinge	(F)*1 内六角扳手4mm Hexagon wrench		

编号NO.	名称Name	规格(mm) Specification	数量QTY	材质Material
①	U07D-A 四门衣柜柜体 Four door wardrobe cabinet body	1587*582*2103	1	三胺板 Melamine
②	U01D-A 两门衣柜门板 Two door wardrobe door panels	2074*395*18	2	三胺板 Melamine

U07D-A

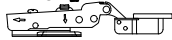
安装方法

Installation method

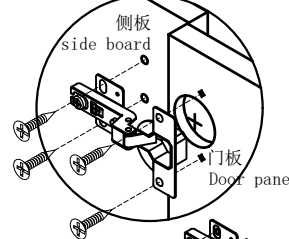
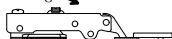
大弯big bend



中弯middle bending



直弯straight bending



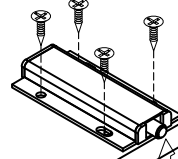
调节上下
Adjust up and down

调节左右
Adjust left and right

调节前后
Before and after adjustment

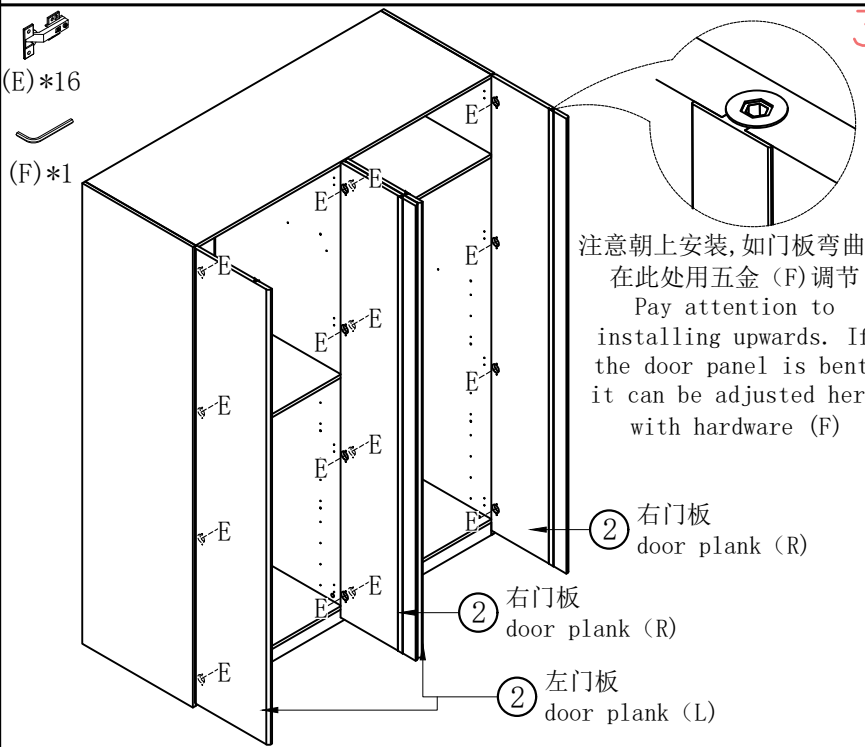
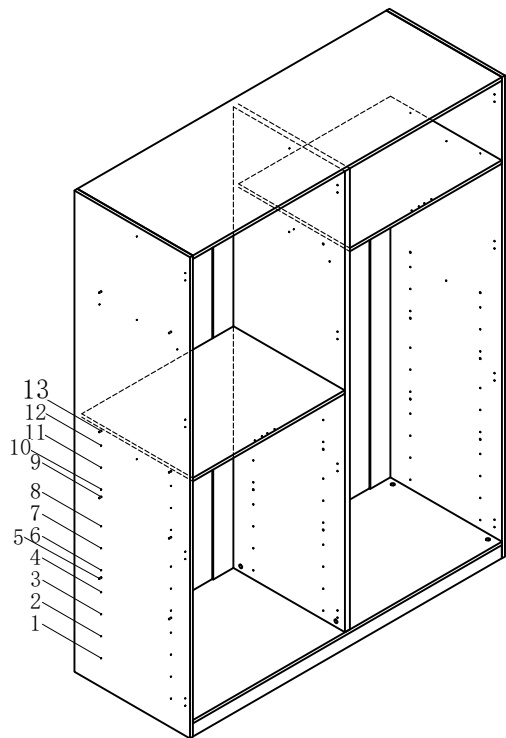
门铰
Hinge

多余五金, 不需安装
Redundant hardware,
no installation required



调节长度刚
好顶住面板
Adjustment length
Just against the panel

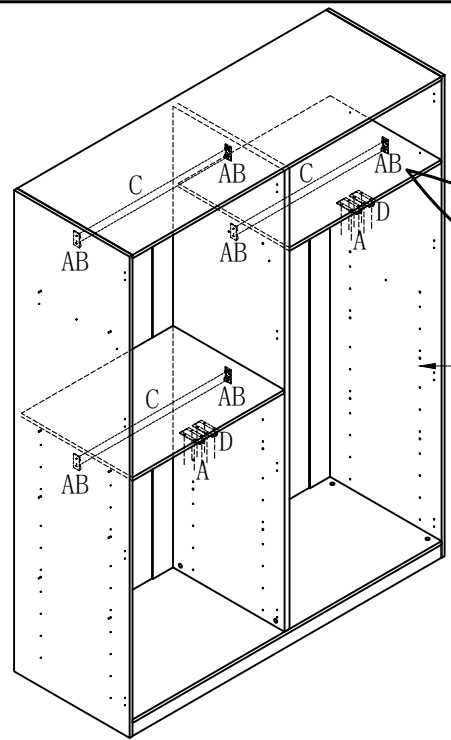
反弹器
Rebounder



注意朝上安装, 如门板弯曲可
在此处用五金 (F) 调节
Pay attention to
installing upwards. If
the door panel is bent,
it can be adjusted here
with hardware (F)

② 右门板
door plank (R)
② 右门板
door plank (R)
② 左门板
door plank (L)

- 1 (A) *28
- (B) *6
- (C) *3
- (D) *4



将五金B的盖子拆开再锁
Remove the cover of
hardware B and lock it

将五金C套进五金B的盖子再
盖在五金B的底座上
Put hardware C into the
cover of hardware B and
then cover the base of
hardware B

