

LINSY 林氏家居

五金表/Hardware list

部件表/Parts List

安装示意图/Assembly Instruction

产品名称 Model NO.

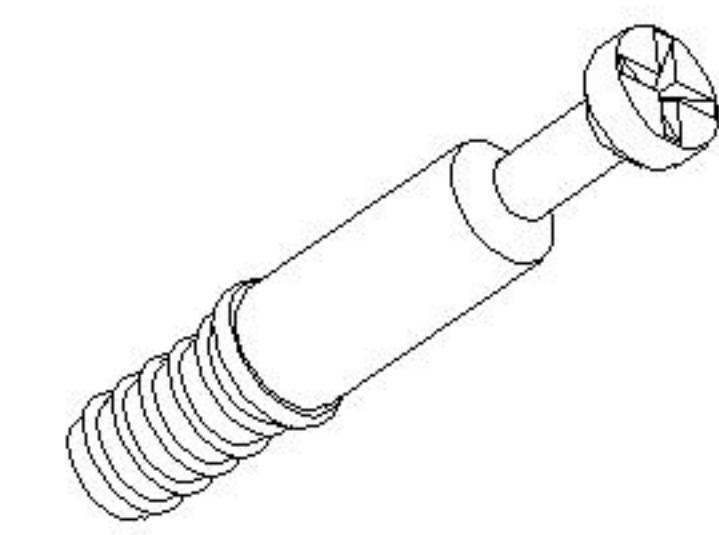
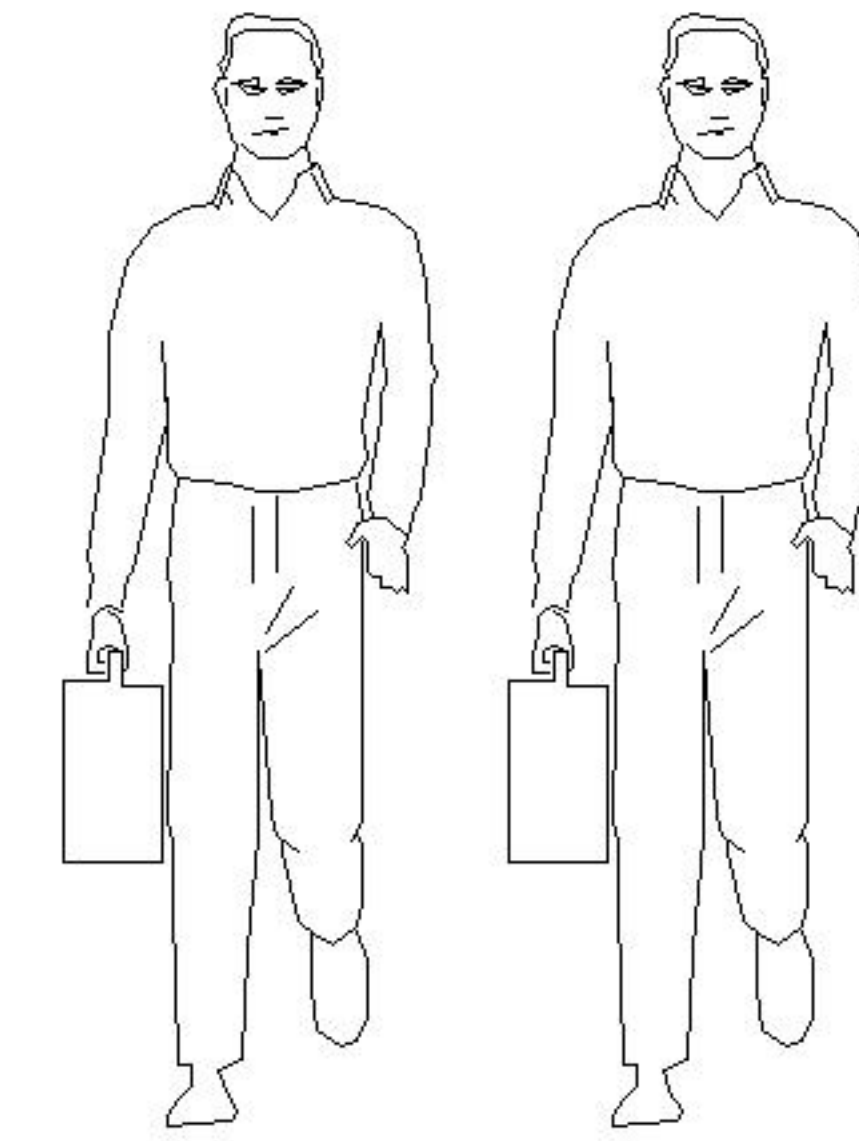
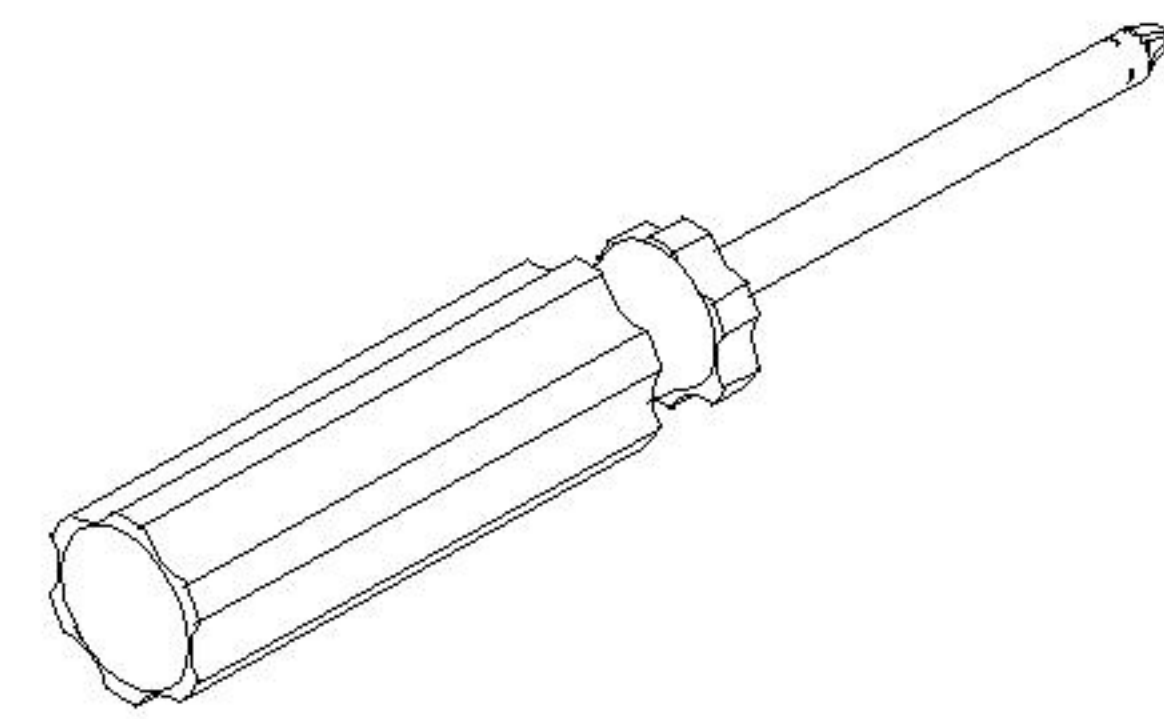
U01D-A 两门衣柜柜体

产品规格 Specification

796*582*2103

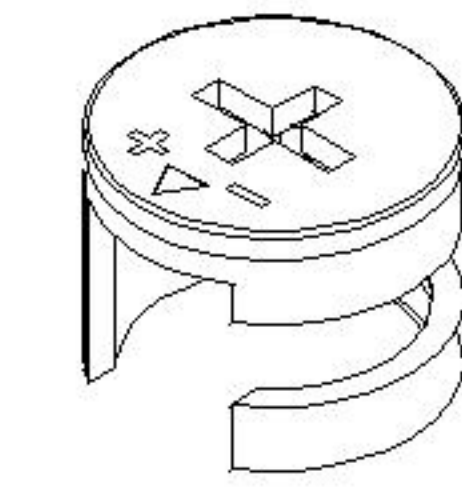
安装工具 Tool

安装人数 Installer



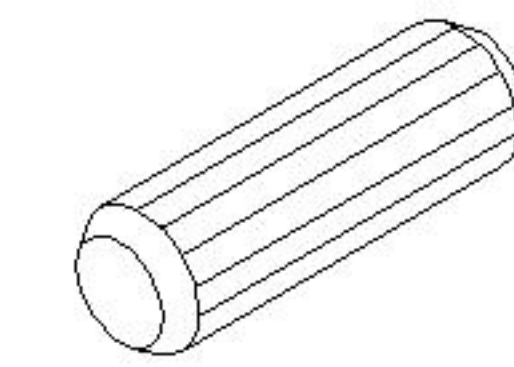
(A)*29

二合一螺杆
2-in-1-screw



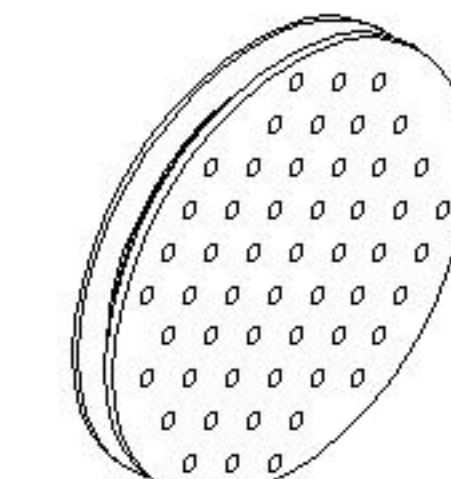
(B)*29

大三合一锁饼
3-in-1 large lock



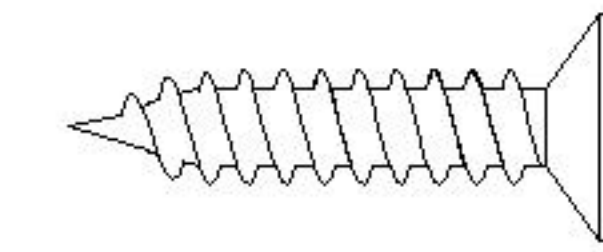
(C)*13

木榫Ø8x30mm
Wood tenon



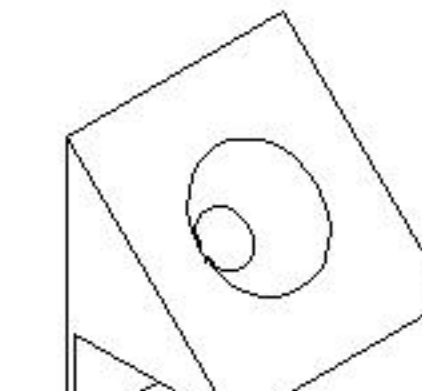
(D)*1

透气孔盖-白色
Vent cover - white



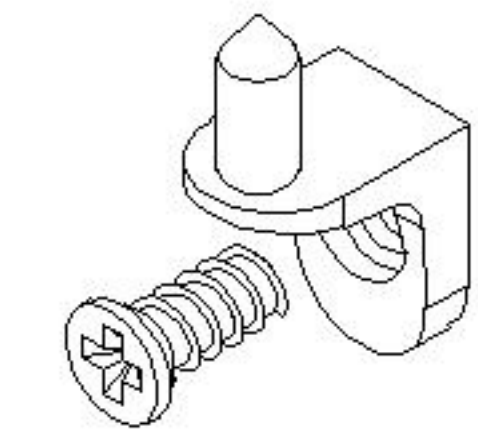
(E)*6

白攻螺丝M3.5*16mm
Tapping screw



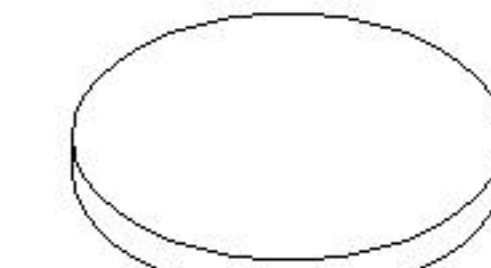
(F)*6

背板扣
White buckle



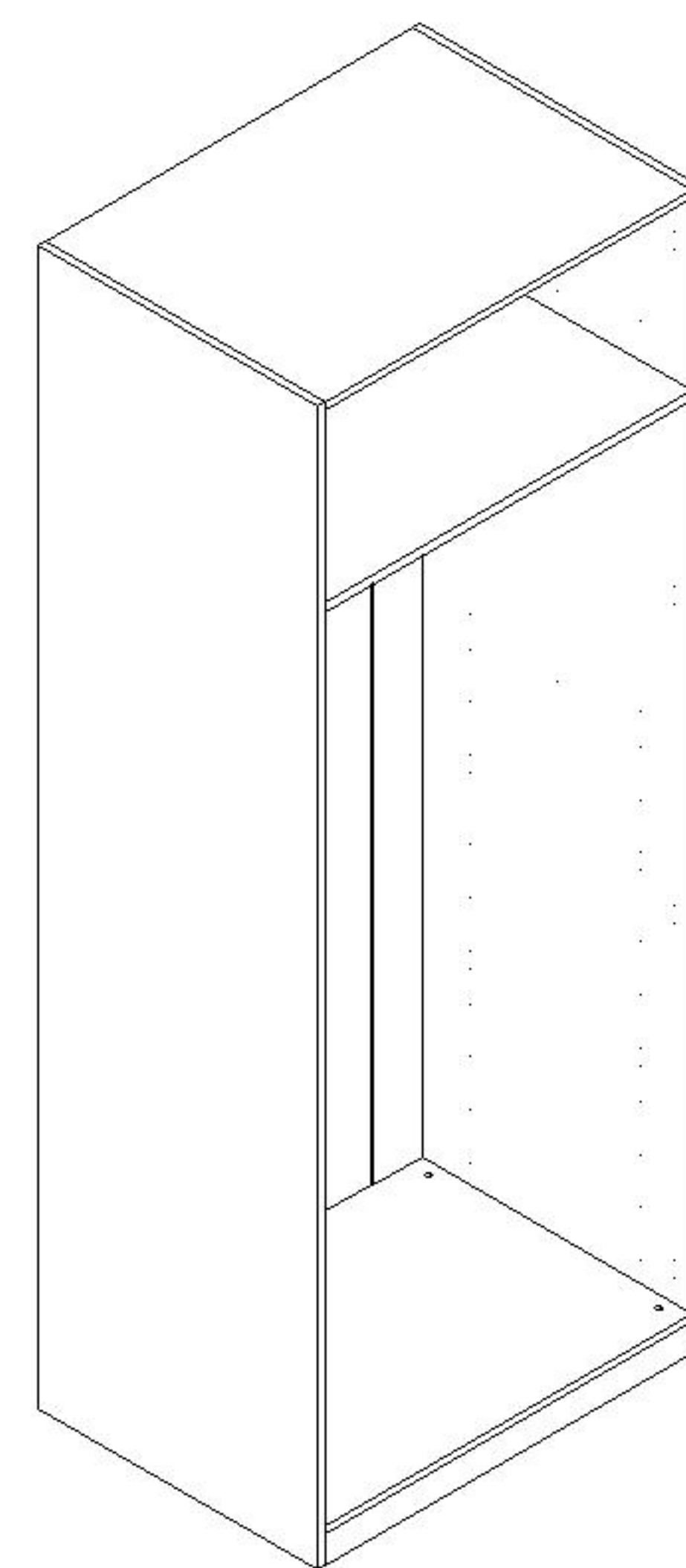
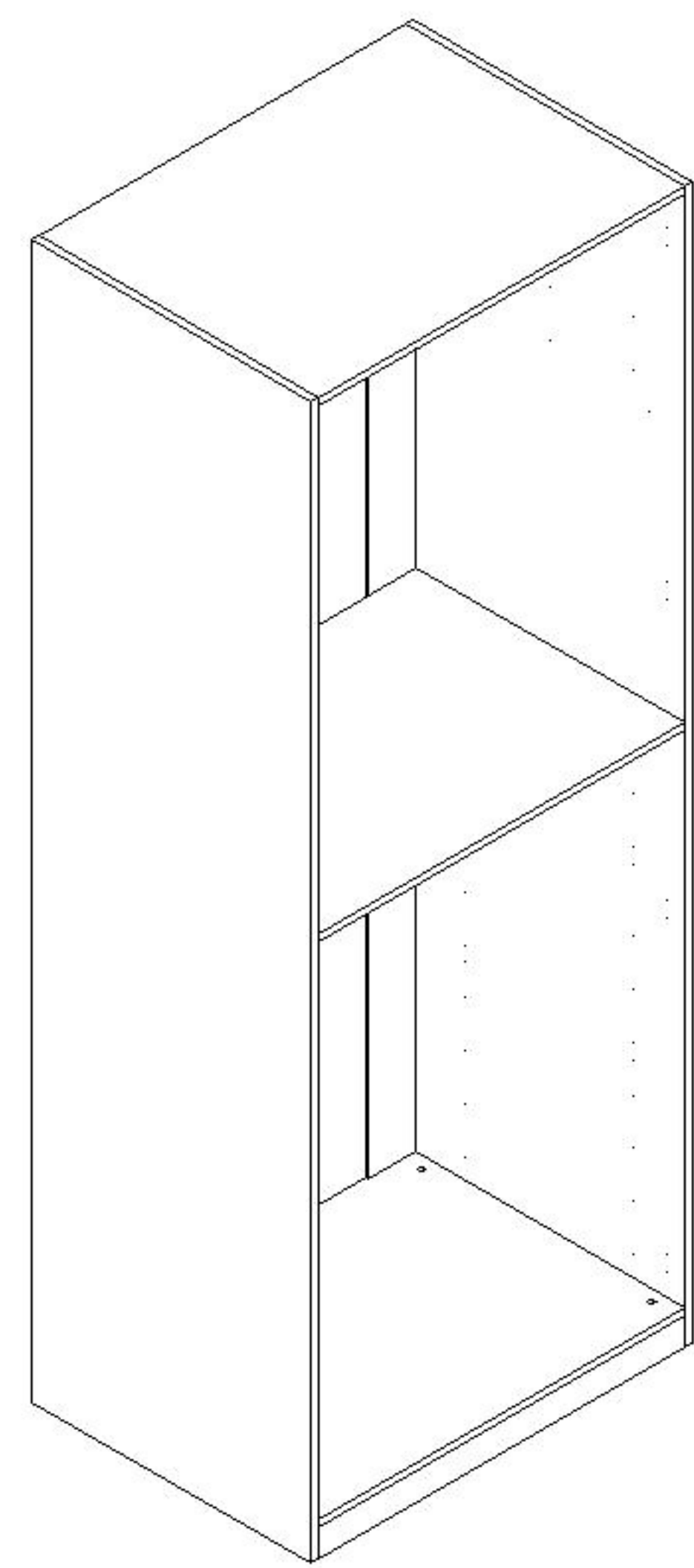
(G)*4

层板托5mm
shelf support



(H)*8

灰色毛毡垫
Foot pad



编号NO.

名称Name

规格(mm)
Specification

数量QTY

材质Material

①

顶板Top board

766*582*15

1

三胺板 Melamine

②

底板Bottom board

766*582*15

1

三胺板 Melamine

③

前脚条Front foot strip

766*58*15

2

三胺板 Melamine

④

大层板Big shelf

765*560*15

1

三胺板 Melamine

⑤

左侧板Side board (L)

2100*582*15

1

三胺板 Melamine

⑥

右侧板Side board (R)

2100*582*15

1

三胺板 Melamine

⑦

边背拉条Side back brace

2012*101*15

2

三胺板 Melamine

⑧

大背板Big backboard

2022*575*5

1

三胺板 Melamine

⑨

⑩

⑪

⑫

⑬

⑭

⑮

⑯

⑰

⑱

⑲

⑳

㉑

㉒

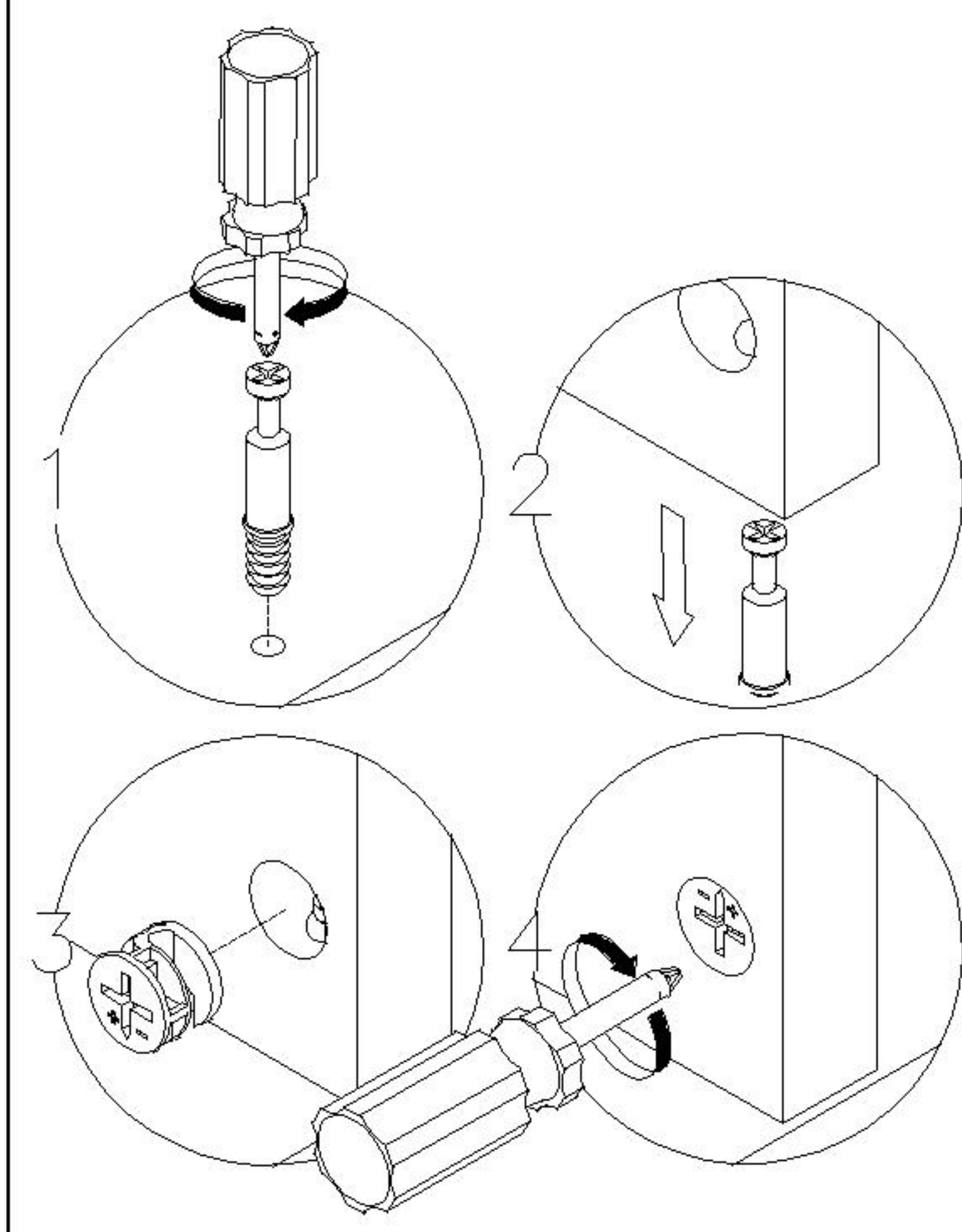
㉓

㉔

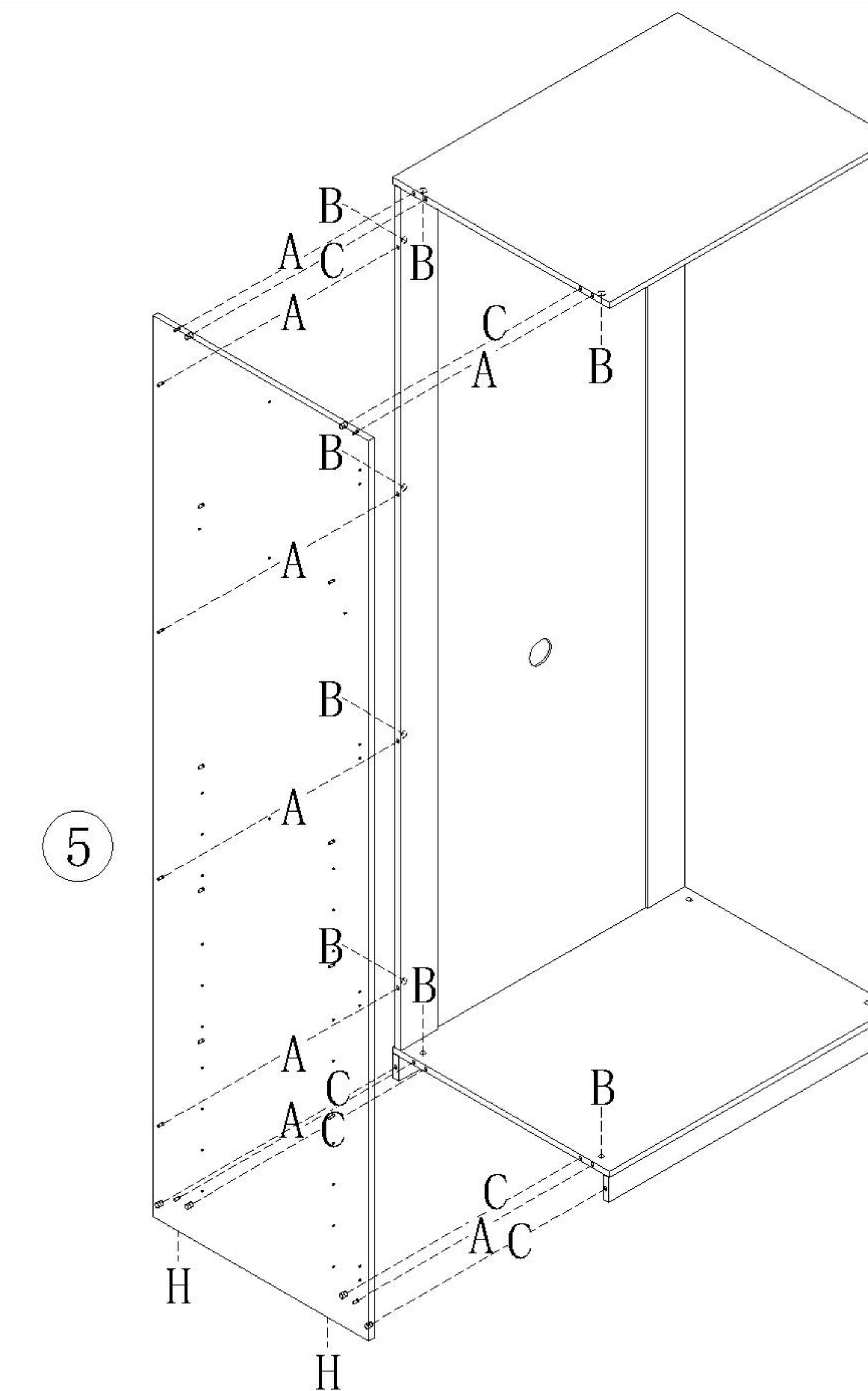
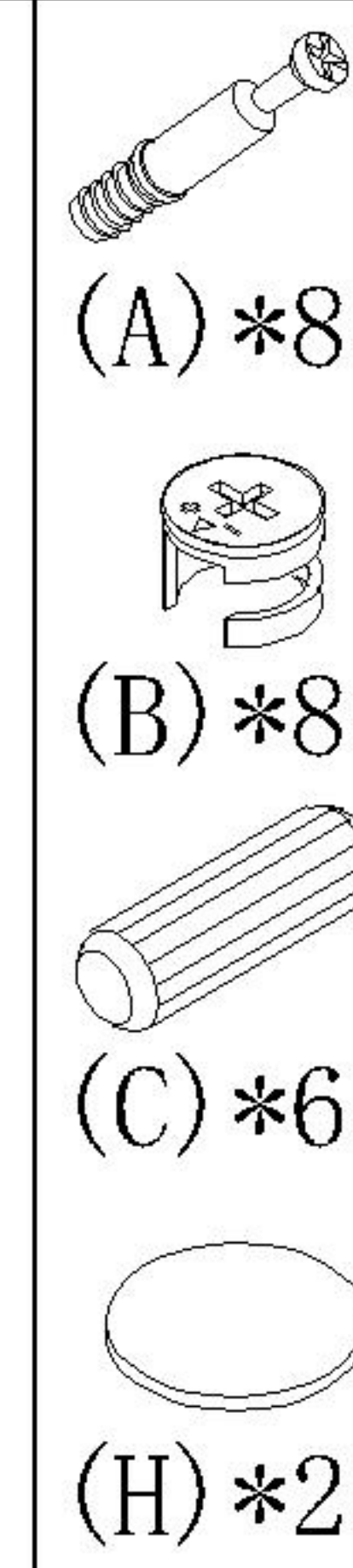
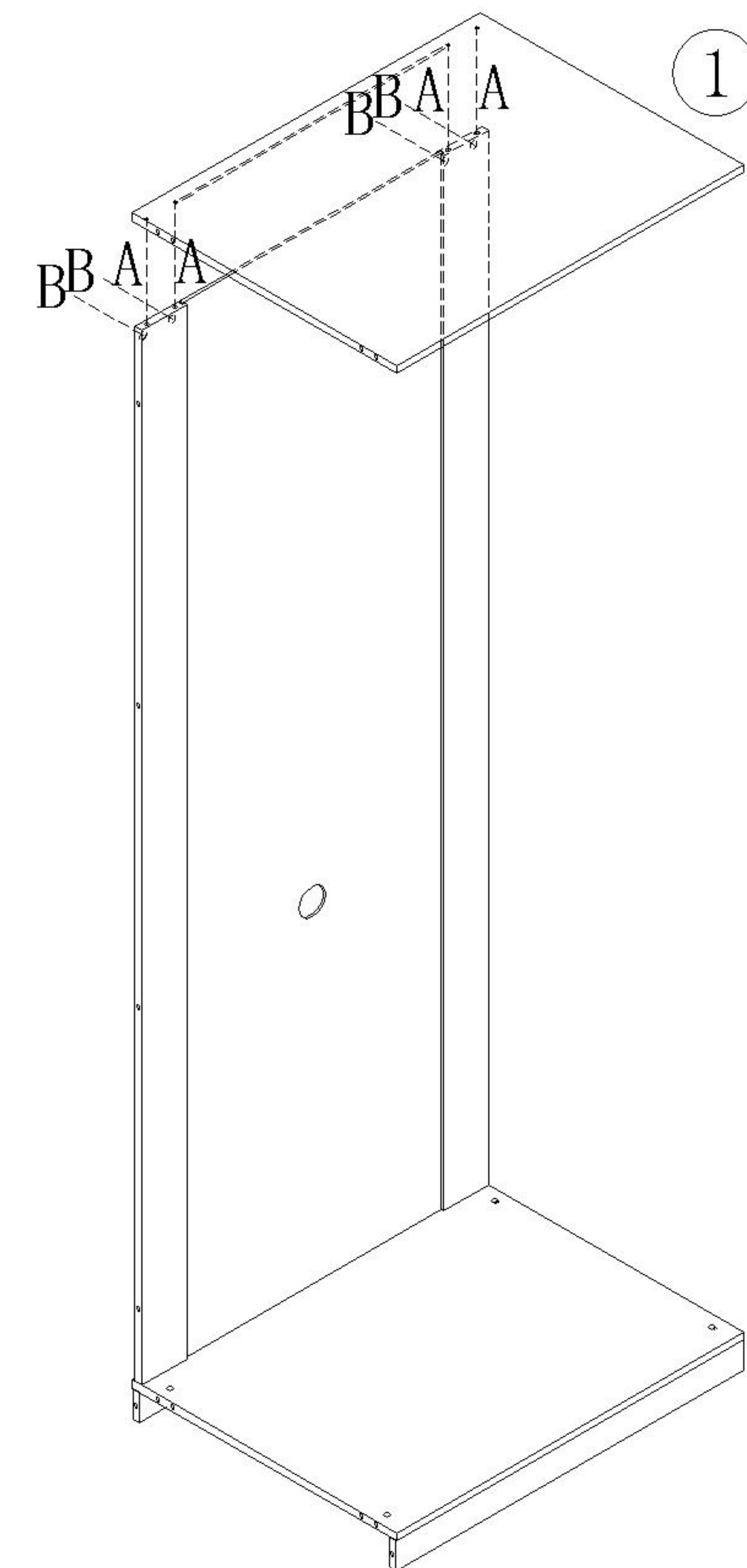
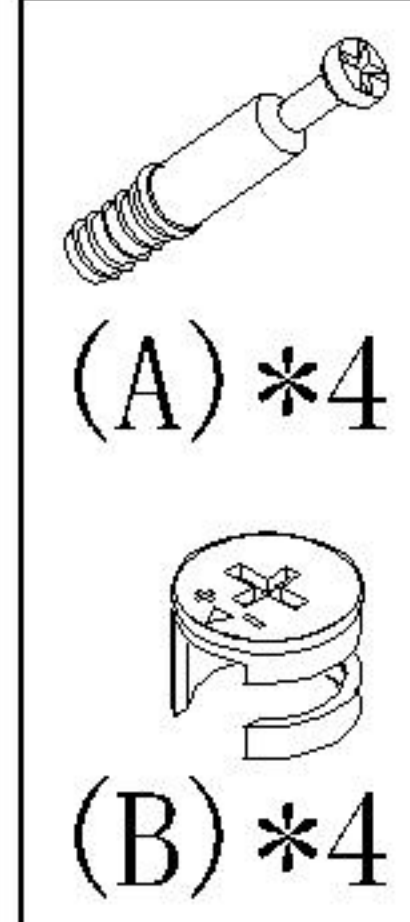
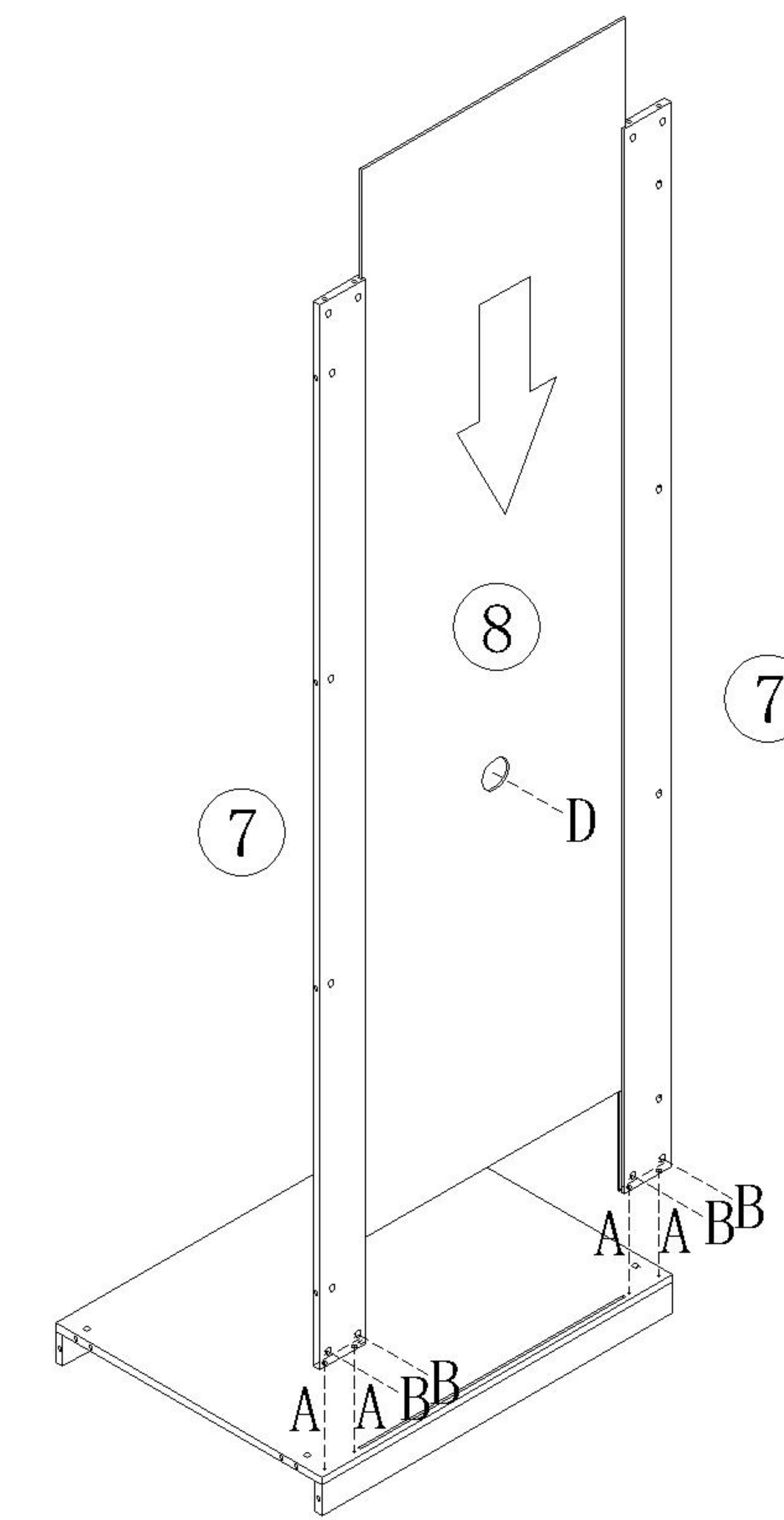
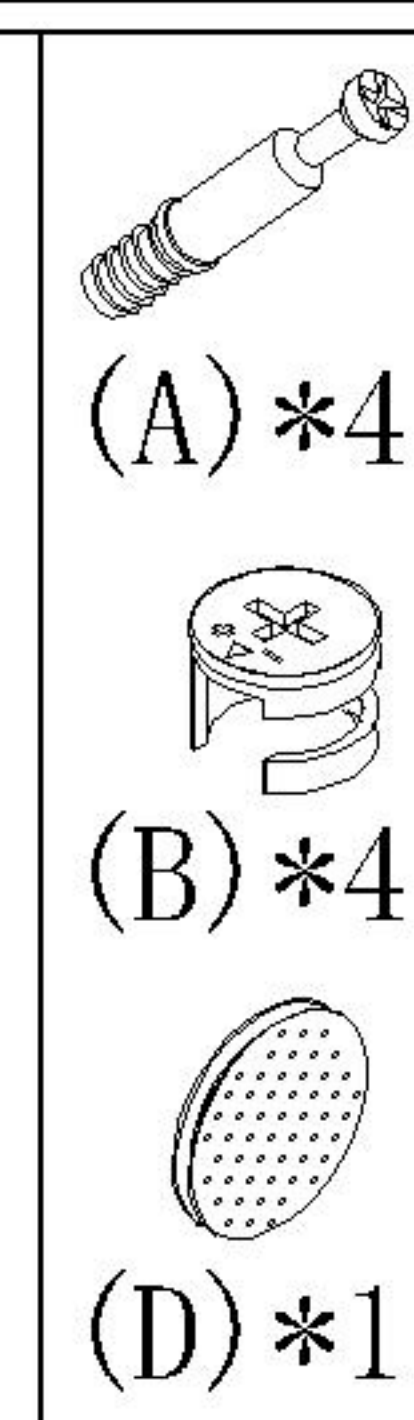
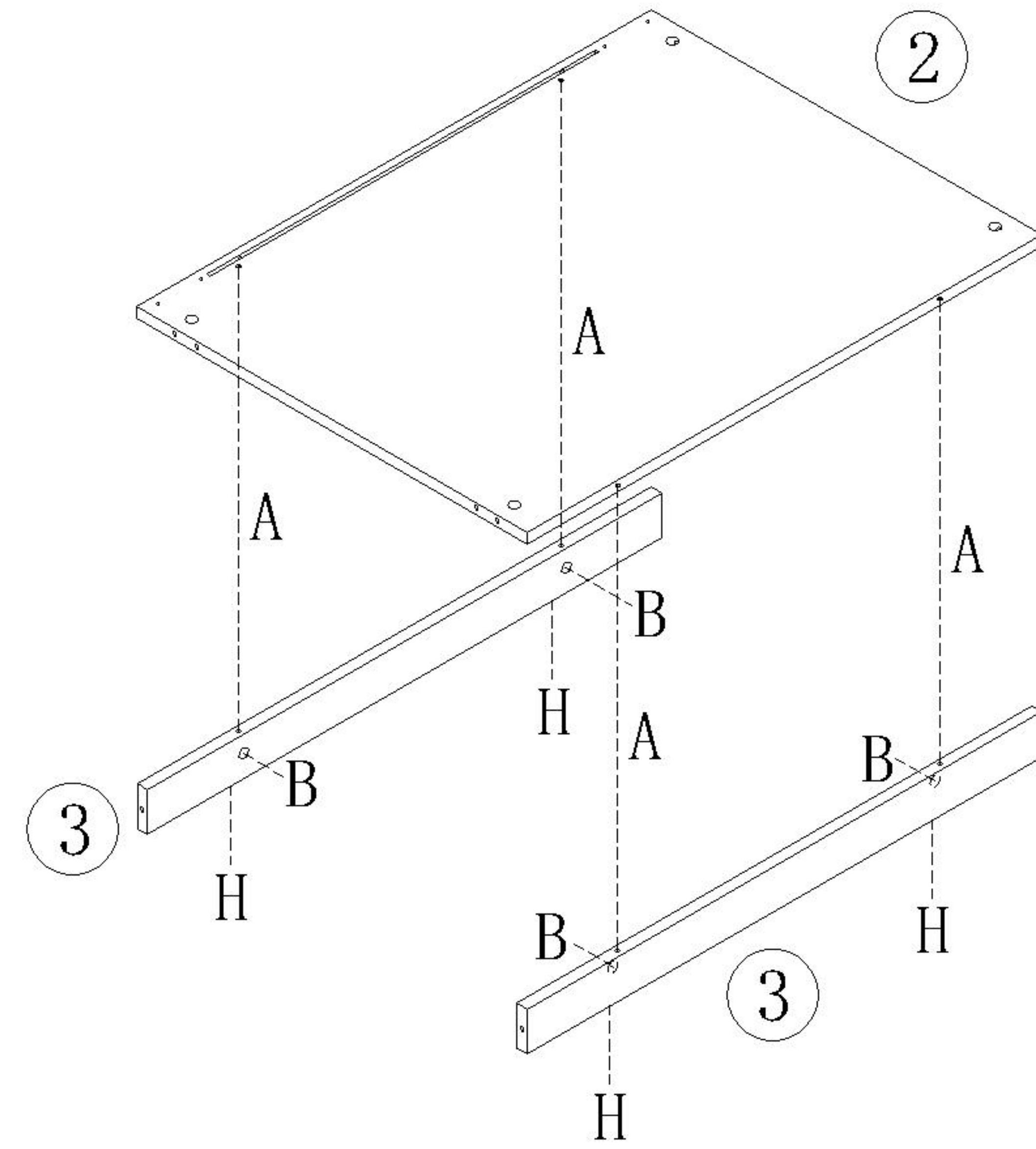
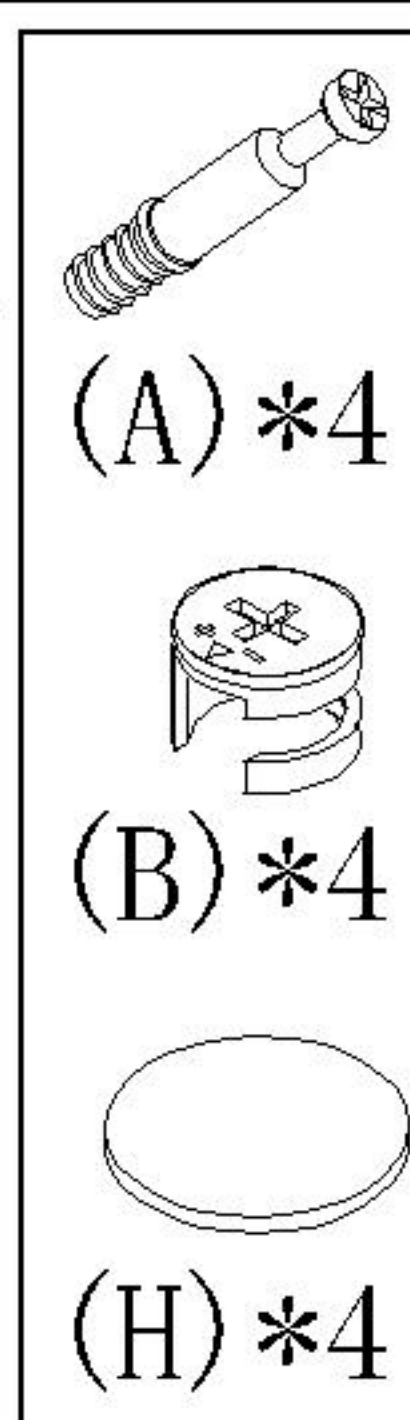
㉕

安装方法

Installation method

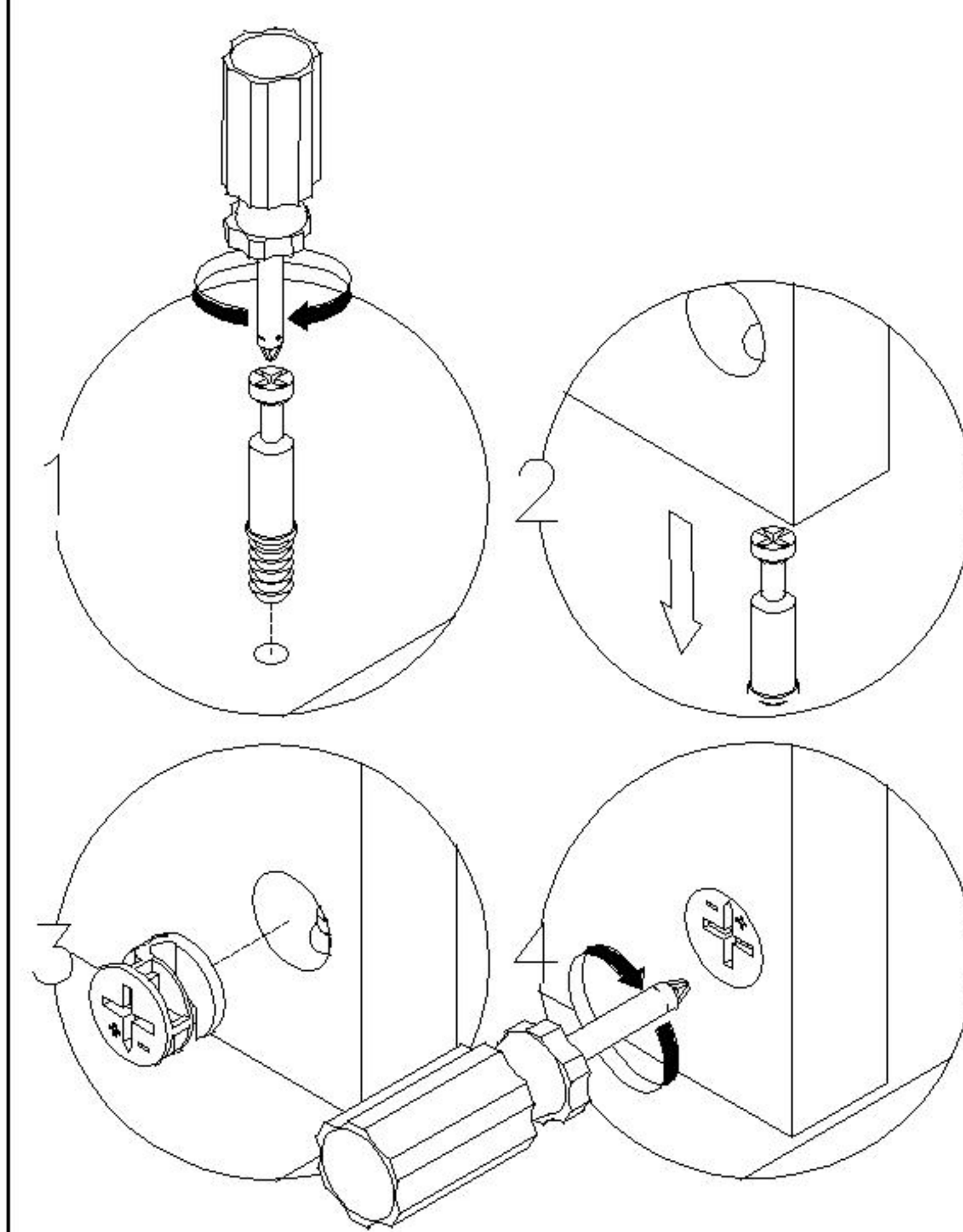


二合一 two-in-one

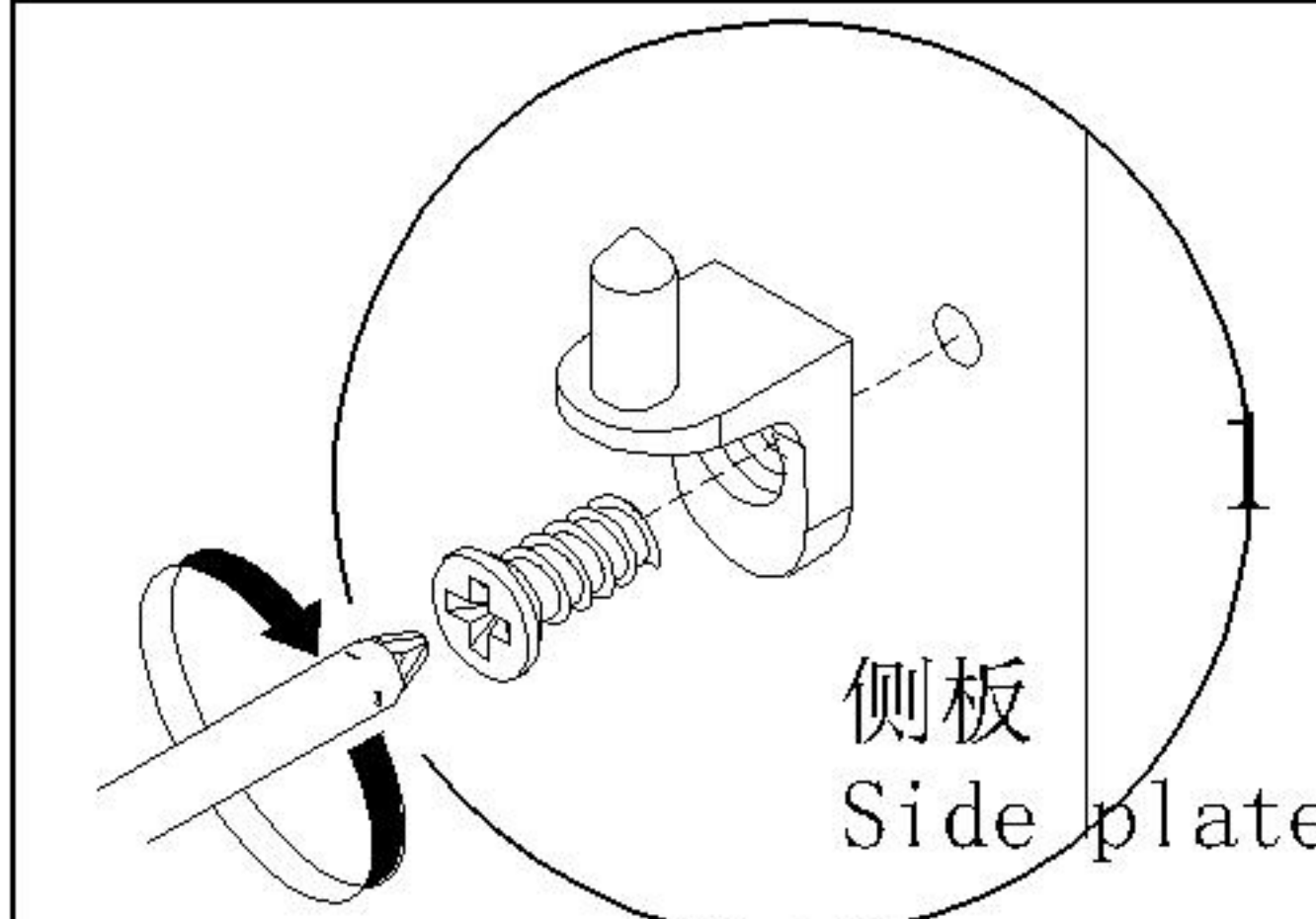


安装方法

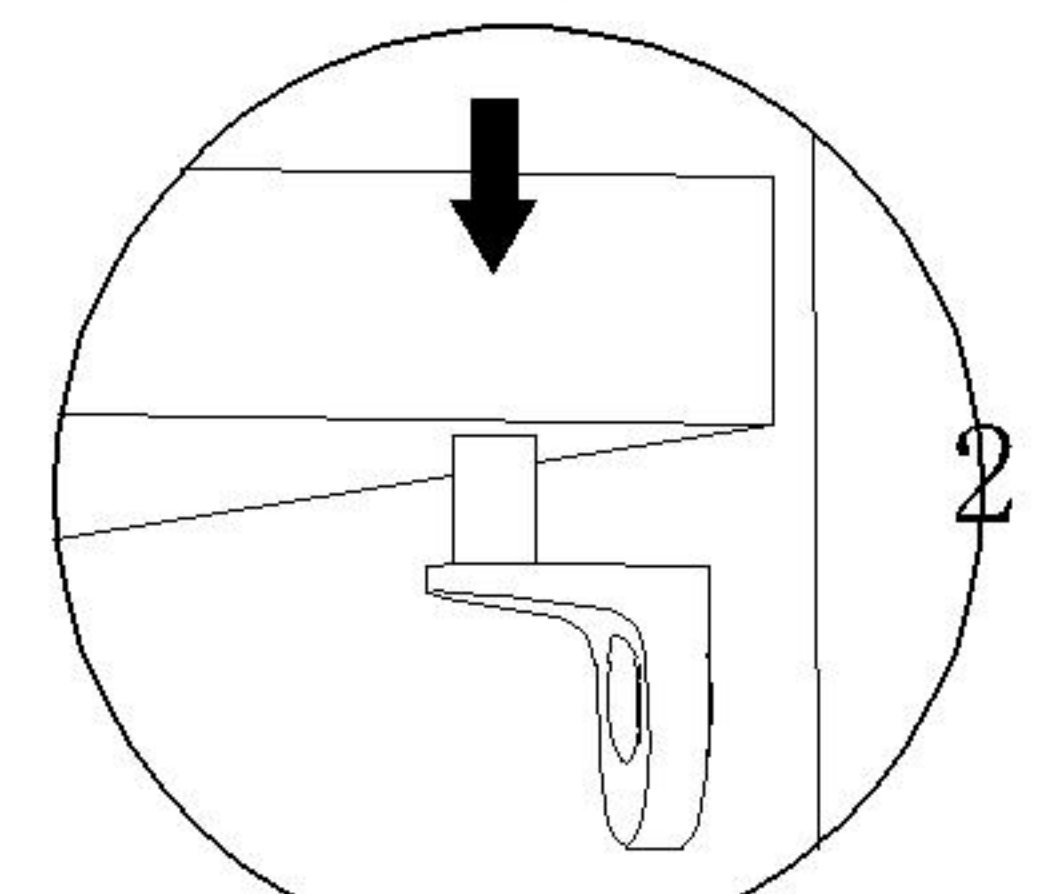
Installation method



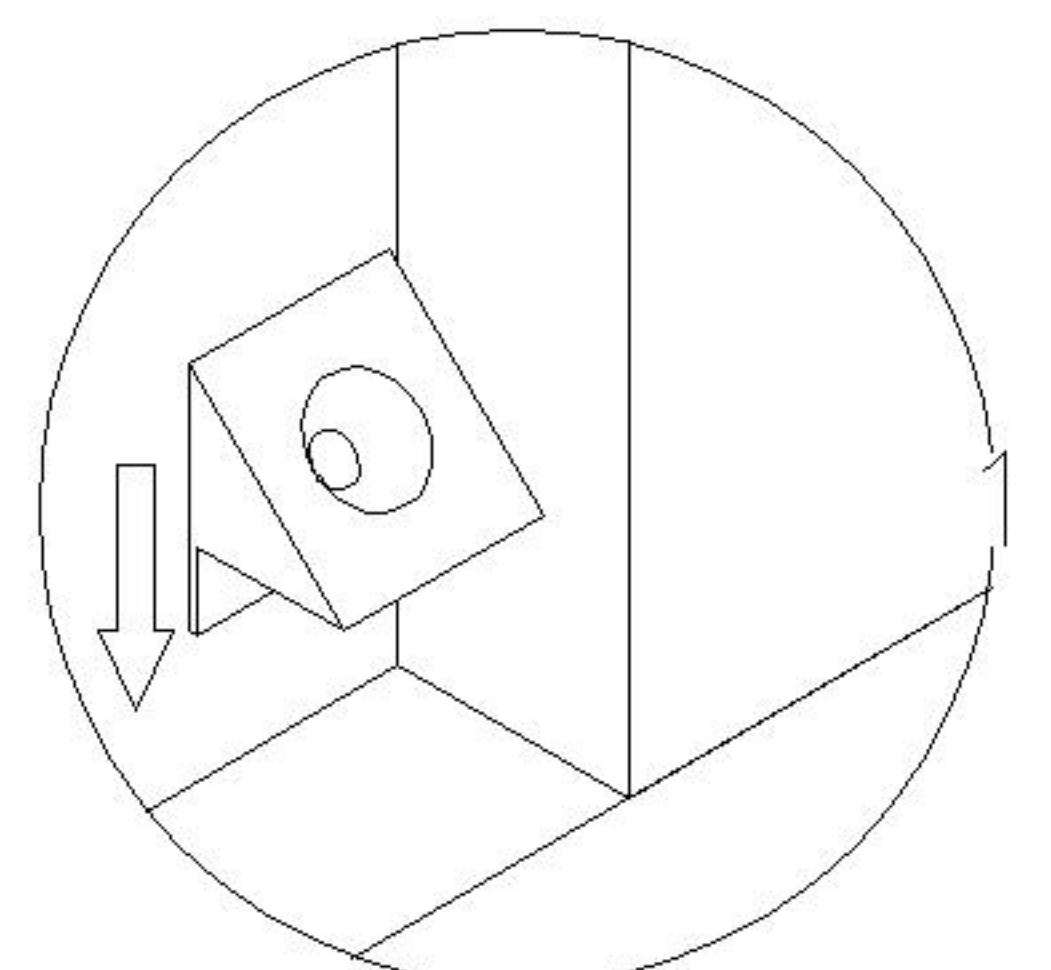
二合一 two-in-one



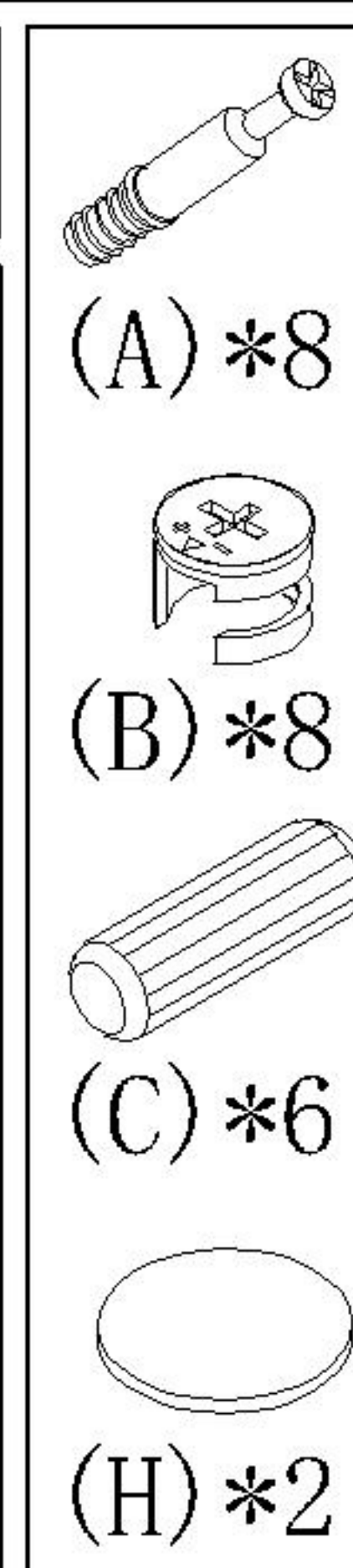
侧板
Side plate



层板托5mm
shelf support



背板扣
Back Plate Buckle

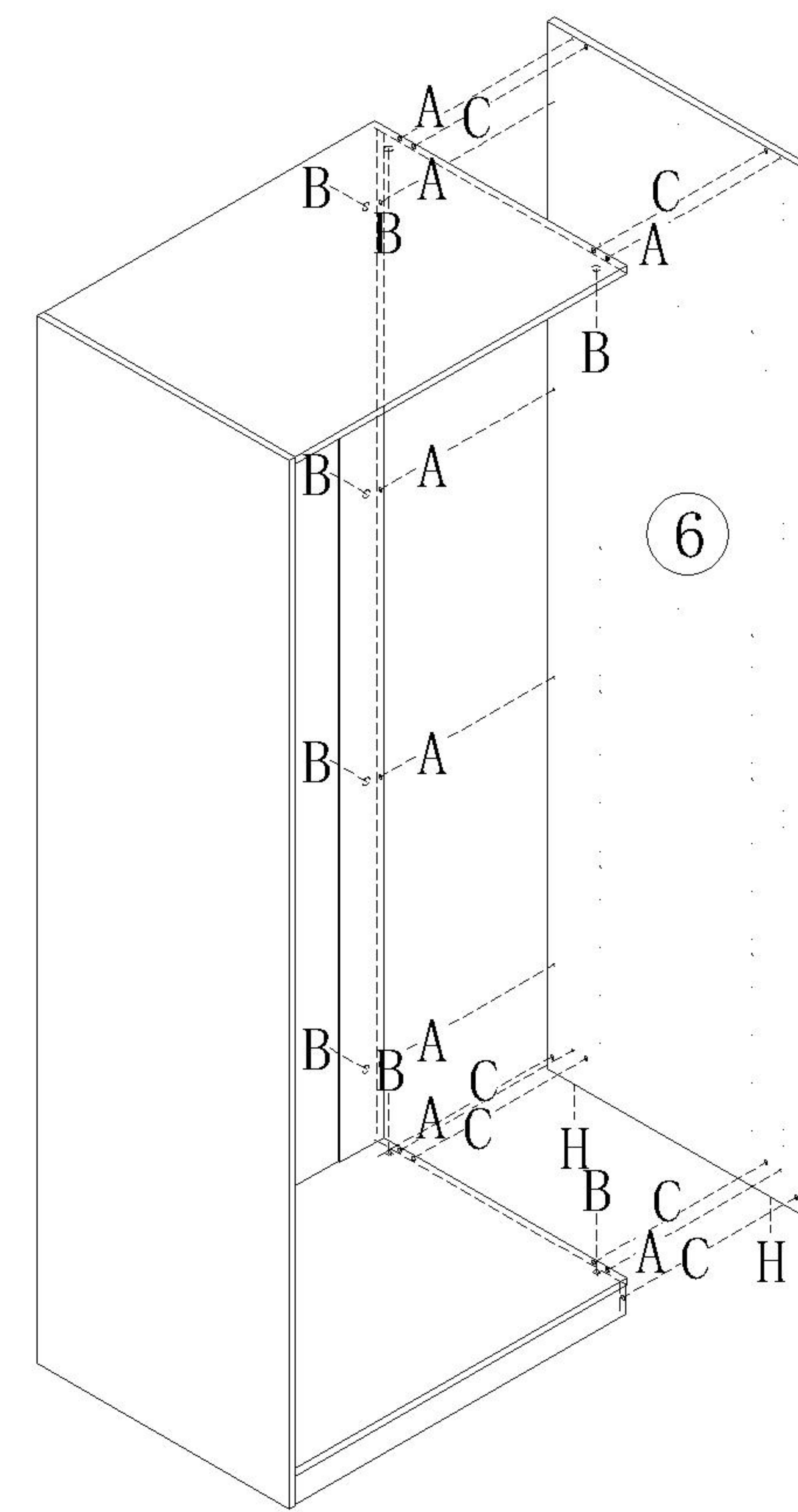


(A)*8

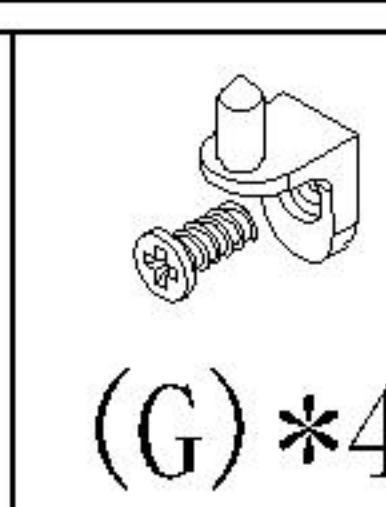
(B)*8

(C)*6

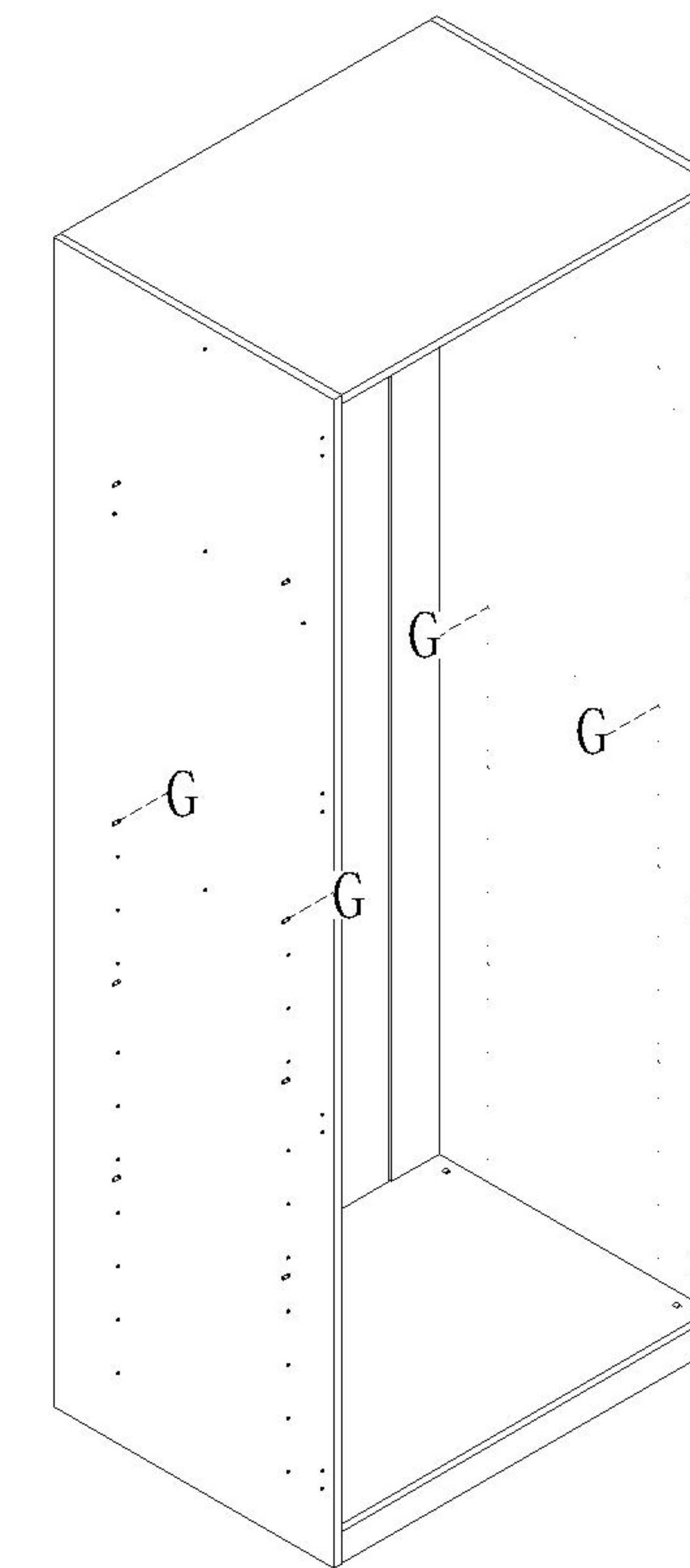
(H)*2



5



(G)*4

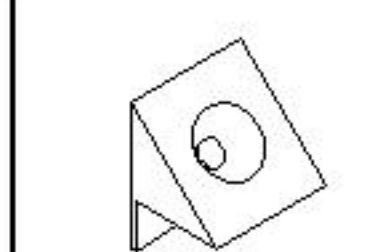


注意：此步骤根据选购的款式进行安装，具体安装位置见组合安装图

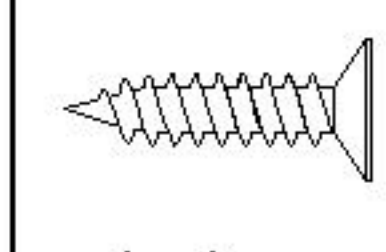
Note: This step is installed according to the selected style, and the specific installation location is shown in the combination installation diagram

6

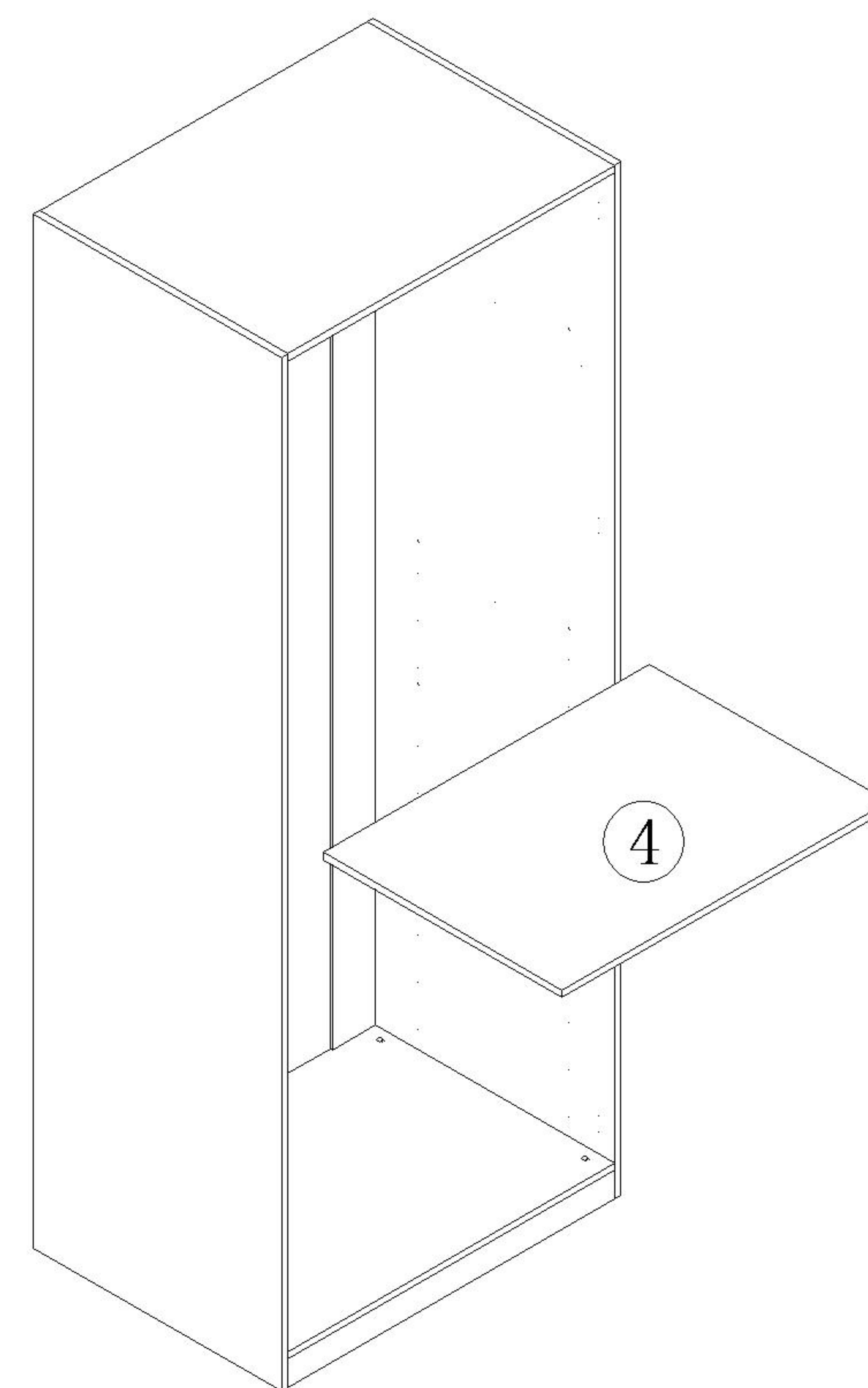
7



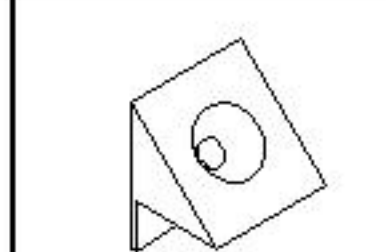
(F)*6



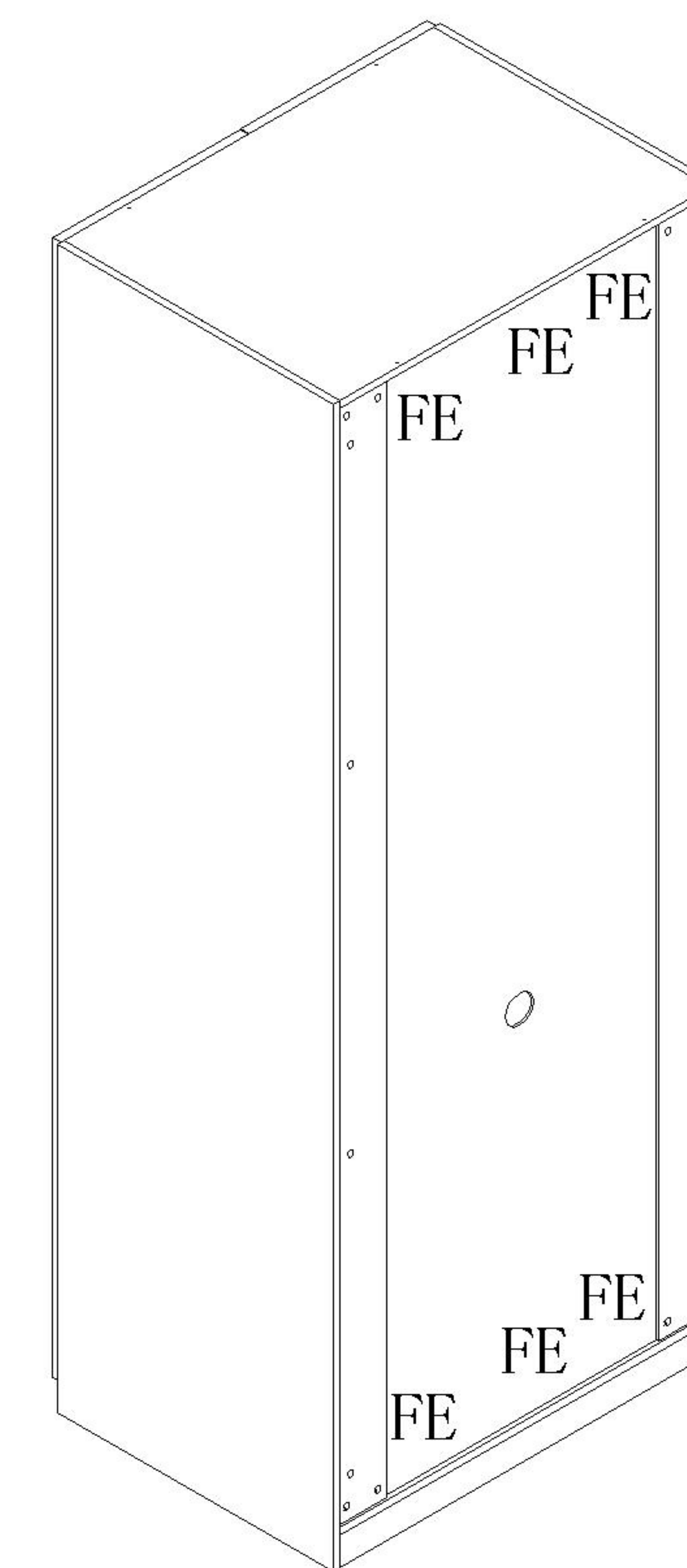
(E)*6



8



(FE)*6

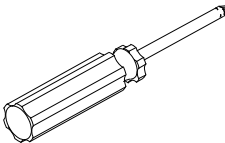



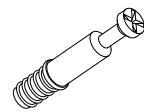
LINSY 林氏家居

五金表/Hardware list

部件表/Parts List

安装示意图/Assembly Instruction

产品名称 Model NO.	U02D-A 大抽屉副柜
产品规格 Specification	766*480*170mm
安装工具 Tool	安装人数 Installer
	



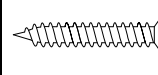
(A)*13
二合一螺杆
2-in-1-screw



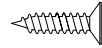
(B)*13
大三合一锁饼
3-in-1 large lock



(C)*1
三节滚珠导轨14"
Three-section rail

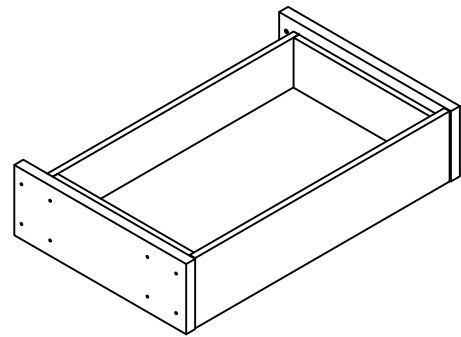


(D)*8
自攻螺丝M4*35mm
Tapping screw



(E)*15
自攻螺丝M3.5*12mm
Tapping screw

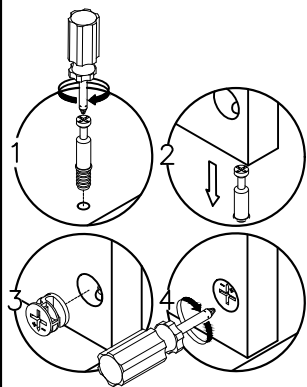
编号NO.	名称Name	规格(mm) Specification	数量QTY	材质Material
①	侧板Side board	480*170*25	2	三胺板 Melamine
②	抽屉面板 Drawer's top panel	711*170*15	1	三胺板 Melamine
③	抽屉侧板 Drawer's side board	395*142*15	2	三胺板 Melamine
④	抽屉后板 Drawer's Back board	689*142*15	1	三胺板 Melamine
⑤	抽屉底托条 Drawer's bottom bracket	395*58*15	1	三胺板 Melamine
⑥	抽屉底板 Drawer's Bottom board	669*405*5	1	三胺板 Melamine
⑦				
⑧				
⑨				
⑩				
⑪				
⑫				
⑬				
⑭				
⑮				
⑯				
⑰				
⑱				
⑲				
⑳				
㉑				
㉒				
㉓				
㉔				
㉕				



U02D-A 大抽屉副柜

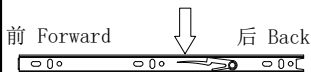
安装方法

Installation method

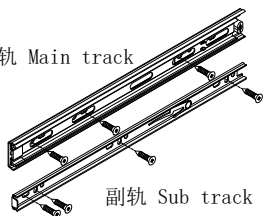


二合一 two-in-one

阀门开关(下压为开)
Valve switch (press down to open)

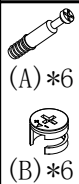


主轨 Main track

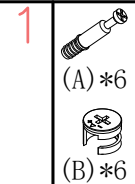
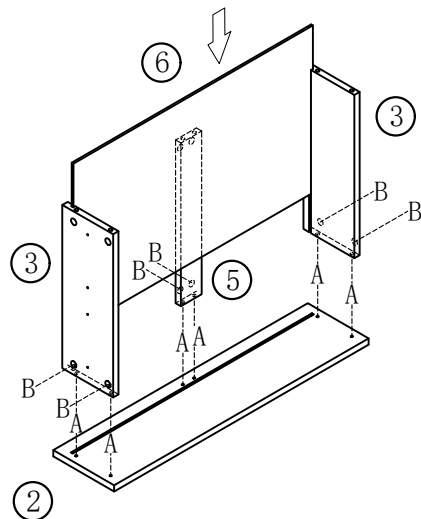


副轨 Sub track

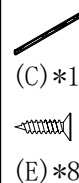
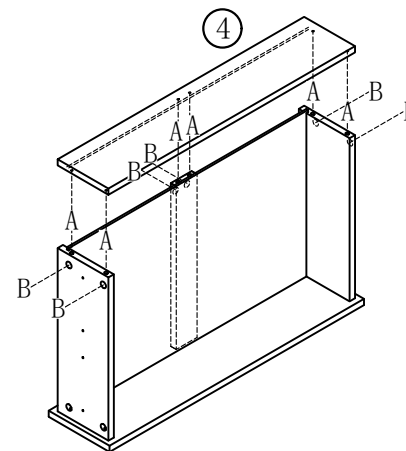
三节滚珠导轨-14"
Three-section rail



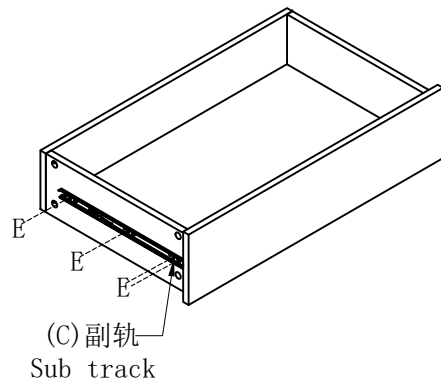
(A)*6
(B)*6



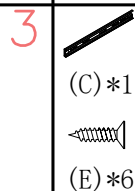
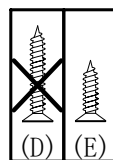
(A)*6
(B)*6



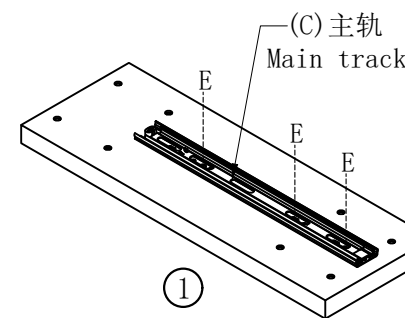
(C)*1
(E)*8



(C) 副轨
Sub track

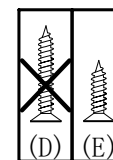


(C)*1
(E)*6



(C) 主轨
Main track

× 2



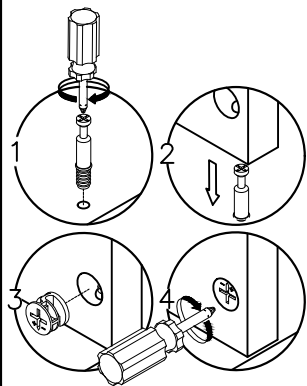
U02D-A 大抽屉副柜

5

6

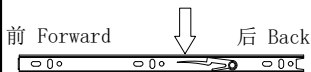
安装方法

Installation method

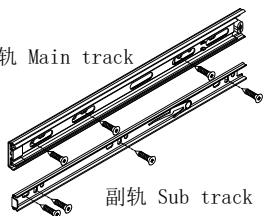


二合一 two-in-one

阀门开关(下压为开)
Valve switch (press down to open)



主轨 Main track

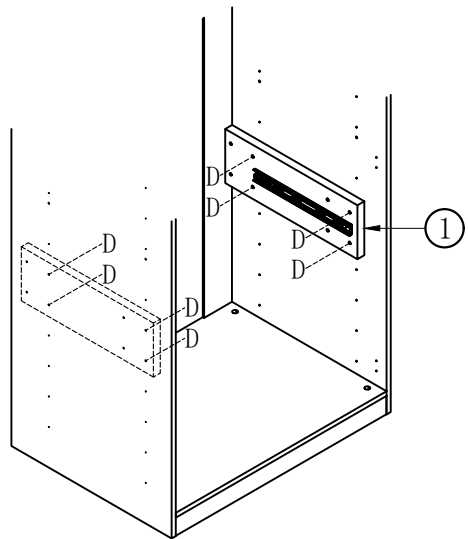


副轨 Sub track

三节滚珠导轨-14"
Three-section rail

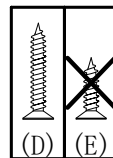


(D)*8



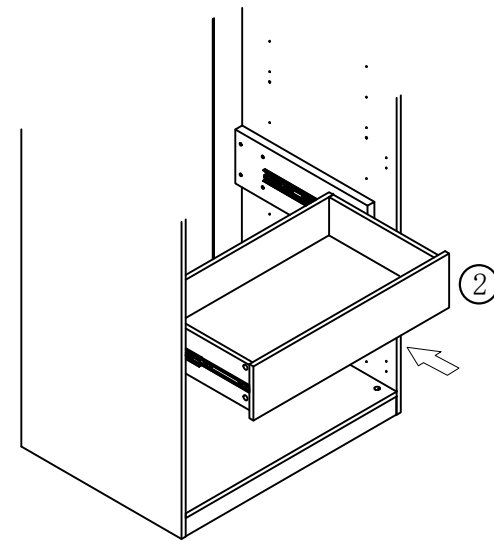
注意：此步骤根据选购的款式进行安装, 具体安装位置见组合安装图

Note: This step is installed according to the selected style, and the specific installation location is shown in the combination installation diagram



7

8

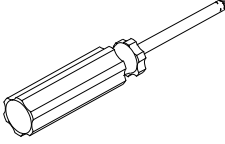



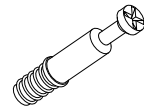
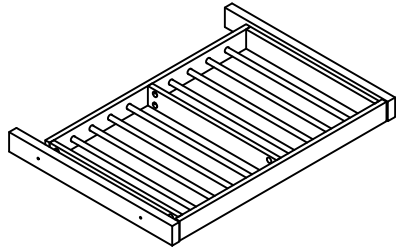
LINSY 林氏家居

五金表/Hardware list

部件表/Parts List

安装示意图/Assembly Instruction

产品名称 Model NO.	U02D-A 挂裤架
产品规格 Specification	766*560*58mm
安装工具 Tool	安装人数 Installer
	



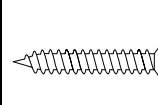
(A)*13
二合一螺杆
2-in-1-screw



(B)*13
大三合一锁饼
3-in-1 large lock



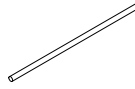
(C)*1
三节滚珠导轨14"
Three-section rail



(D)*4
自攻螺丝M4*35mm
Tapping screw



(E)*15
自攻螺丝M3.5*12mm
Tapping screw



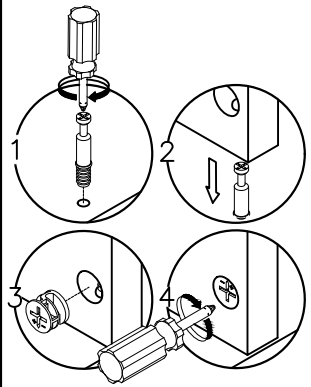
(F)*8
圆管-φ14*460
Round tube

编号NO.	名称Name	规格(mm) Specification	数量QTY	材质Material
①	侧板Side board	560*58*25	2	三胺板 Melamine
②	裤架面板 Pant rack panel	711*58*15	1	三胺板 Melamine
③	裤架后板 Pant rack back panel	690*58*15	1	三胺板 Melamine
④	裤架侧板 Pant rack side panel	442*58*15	2	三胺板 Melamine
⑤	中拉条Middle brace	442*58*15	1	三胺板 Melamine
⑥				
⑦				
⑧				
⑨				
⑩				
⑪				
⑫				
⑬				
⑭				
⑮				
⑯				
⑰				
⑱				
⑲				
⑳				
㉑				
㉒				
㉓				
㉔				
㉕				

U02D-A 挂裤架

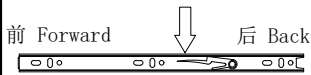
安装方法

Installation method

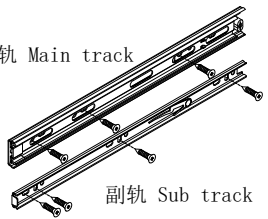


二合一 two-in-one

阀门开关(下压为开)
Valve switch (press down to open)

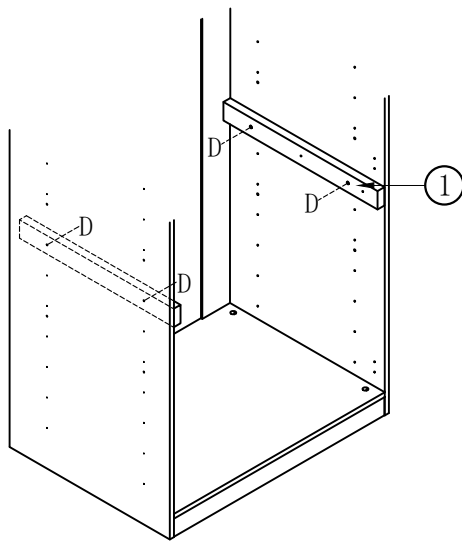
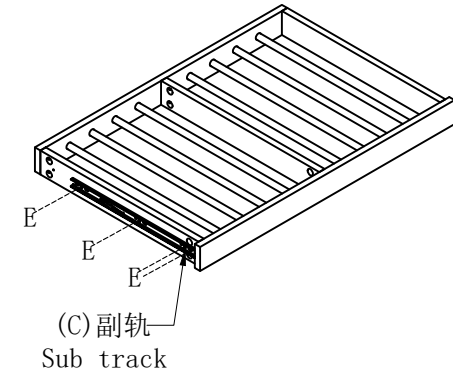
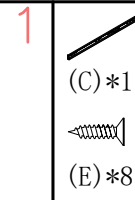
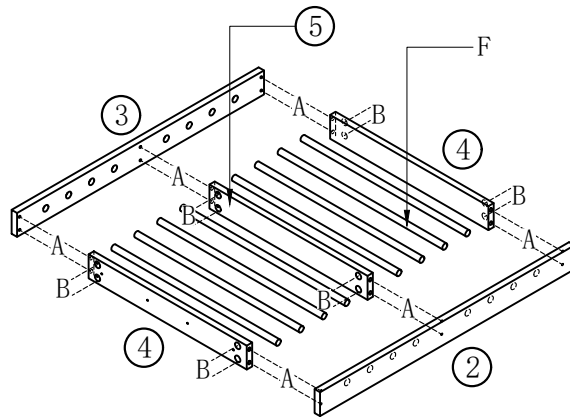
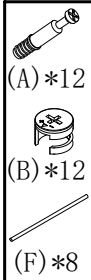


主轨 Main track



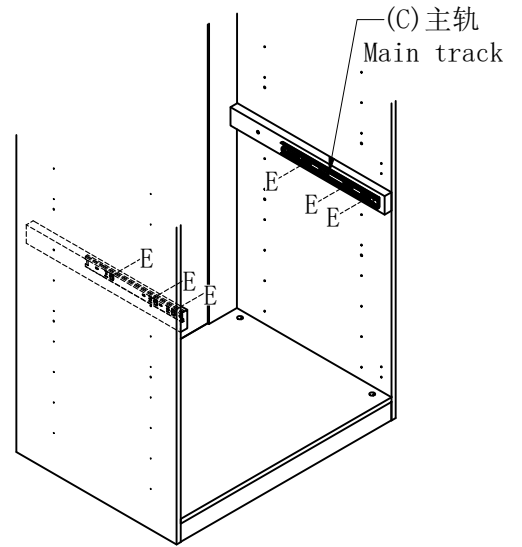
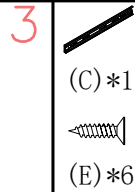
副轨 Sub track

三节滚珠导轨-14"
Three-section rail



注意：此步骤根据选购的款式进行安装，具体安装位置见组合安装图

Note: This step is installed according to the selected style, and the specific installation location is shown in the combination installation diagram



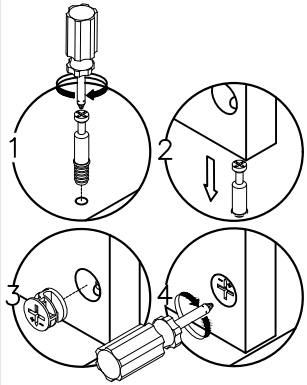
U02D-A 挂裤架

5

6

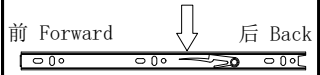
安装方法

Installation method

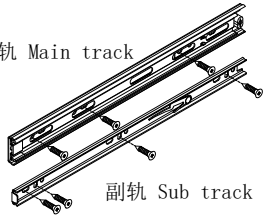


二合一 two-in-one

阀门开关(下压为开)
Valve switch (press down to open)

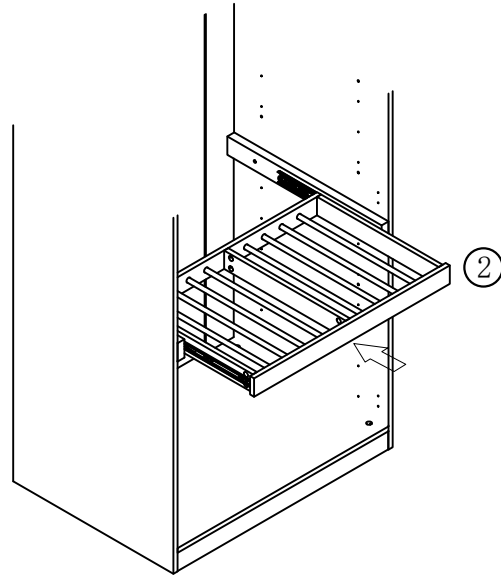


主轨 Main track



副轨 Sub track

三节滚珠导轨-14"
Three-section rail



7

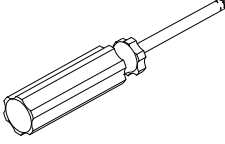
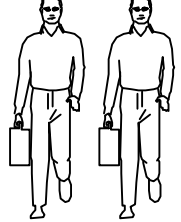
8

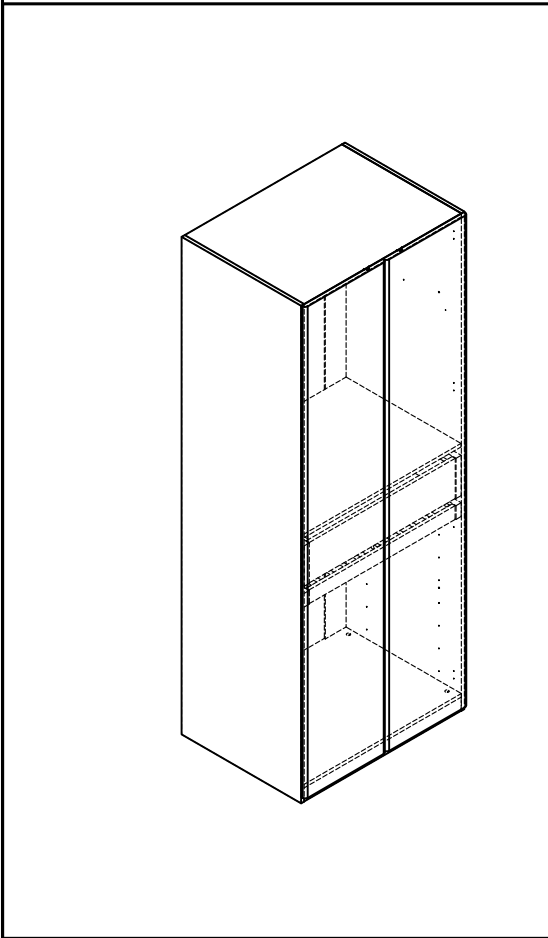
LINSY 林氏家居


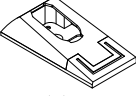

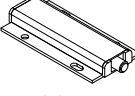
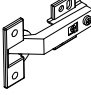

五金表/Hardware list

部件表/Parts List

安装示意图/Assembly Instruction

产品名称 Model NO.	U02D-A
产品规格 Specification	796*600*2103mm
安装工具 Tool	安装人数 Installer
	



			
(A)*13 自攻螺丝M3.5*12mm Tapping screw	(B)*2 挂衣托F874-B Clothes hanger	(C)*1 挂衣杆-L=758mm Clothes hanging rod	(D)*2 反弹器 Rebounder
			
(E)*8 缓冲门铰直弯-杯035 Straight bend hinge	(F)*1 内六角扳手4mm Hexagon wrench		

编号NO.	名称Name	规格(mm) Specification	数量QTY	材质Material
①	U01D-A 两门衣柜柜体 Two door wardrobe cabinet body	796*582*2103	1	三胺板 Melamine
②	U01D-A 两门衣柜门板 Two door wardrobe door panels	2074*395*18	1	三胺板 Melamine
③	U02D-A 大抽屉副柜 Large drawer sub cabinet	766*560*58	1	三胺板 Melamine
④	U02D-A 挂裤架 Trousers hanger	766*560*58	1	三胺板 Melamine

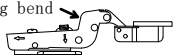


U02D-A

安装方法

Installation method

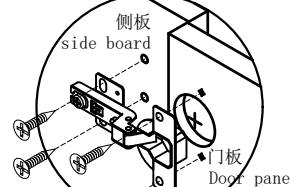
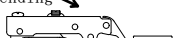
大弯big bend



中弯middle bending



直弯straight bending



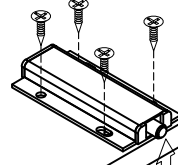
调节上下
Adjust up and down

调节左右
Adjust left and right

调节前后
Before and after adjustment

门铰 Hinge

多余五金, 不需安装
Redundant hardware,
no installation required



调节长度刚
好顶住面板
Adjustment length
Just against the panel

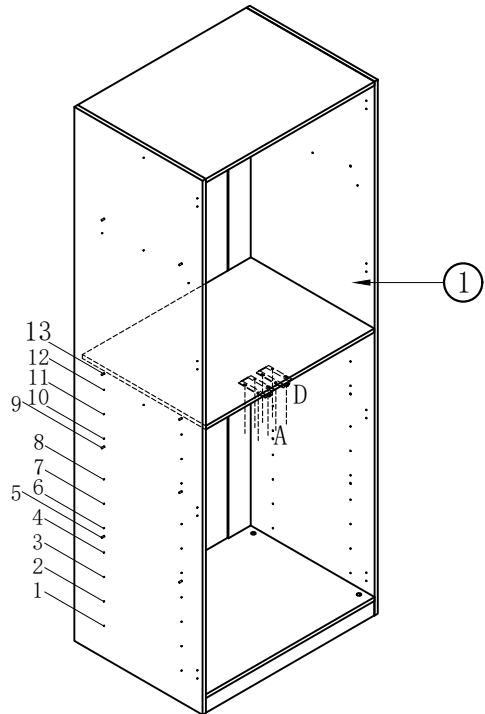
反弹器 Rebounder



(A)*8



(D)*2



1



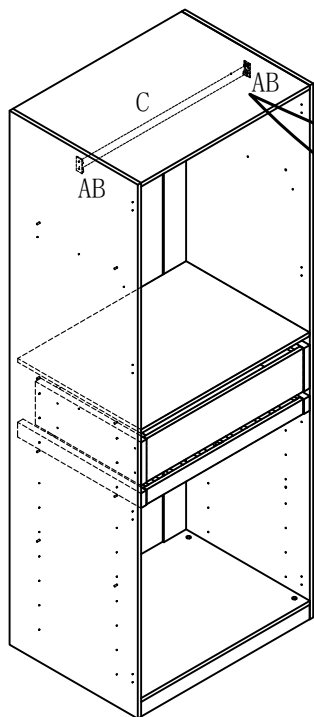
(A)*4



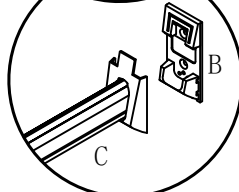
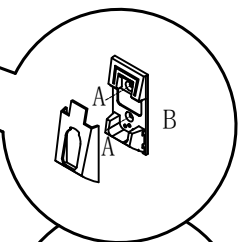
(B)*2



(C)*1



将五金B的盖子拆开再锁
Remove the cover of
hardware B and lock it



将五金C套进五金B的盖子再
盖在五金B的底座上
Put hardware C into the
cover of hardware B and
then cover the base of
hardware B

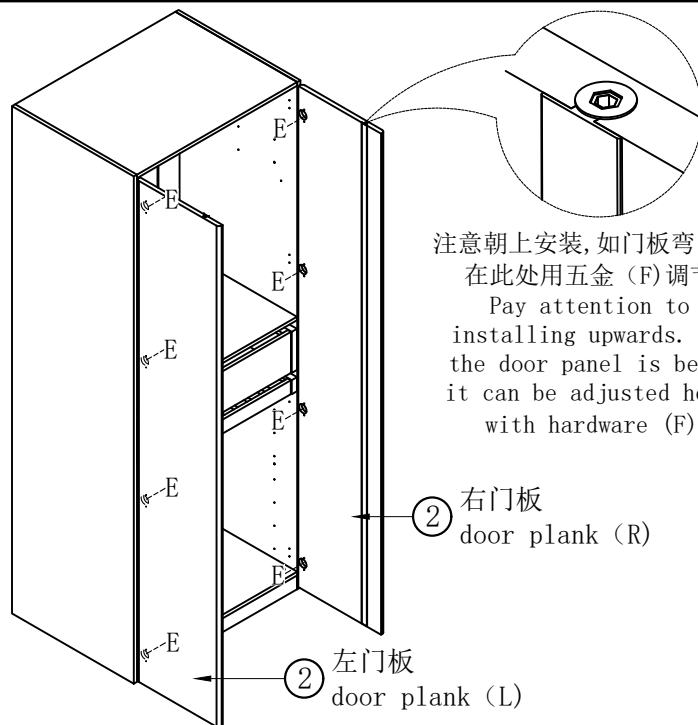
3



(E)*8



(F)*1



注意朝上安装, 如门板弯曲可
在此处用五金 (F) 调节
Pay attention to
installing upwards. If
the door panel is bent,
it can be adjusted here
with hardware (F)

② 右门板
door plank (R)

② 左门板
door plank (L)

2

4