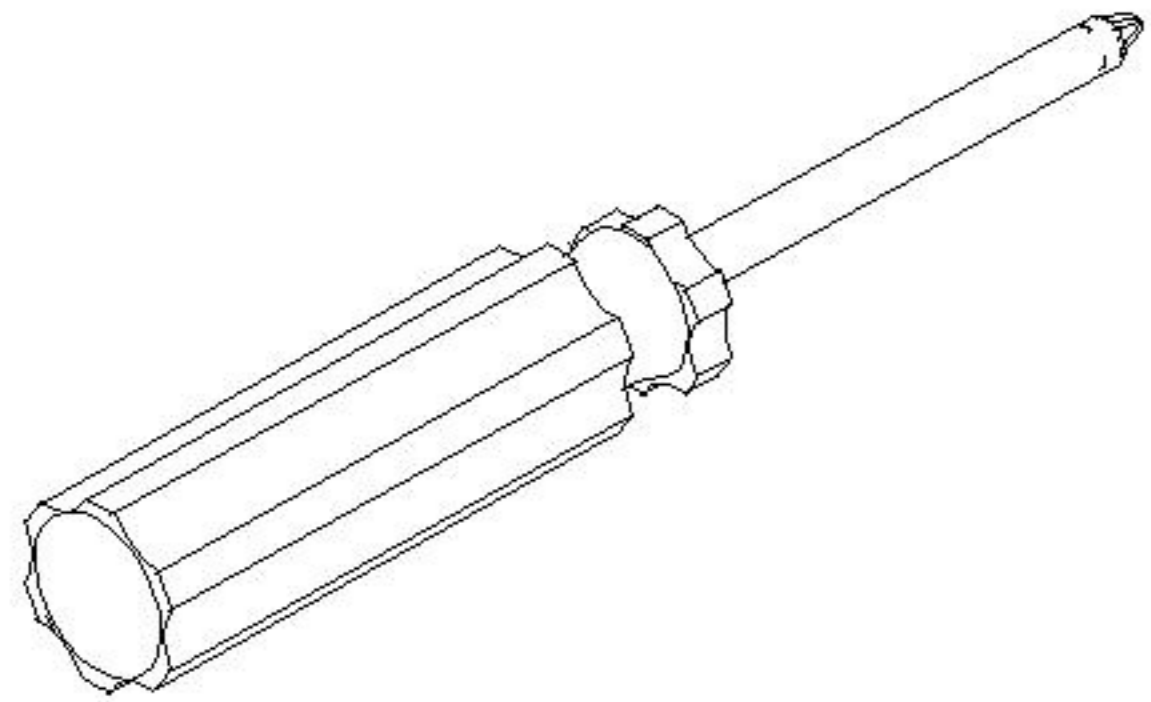
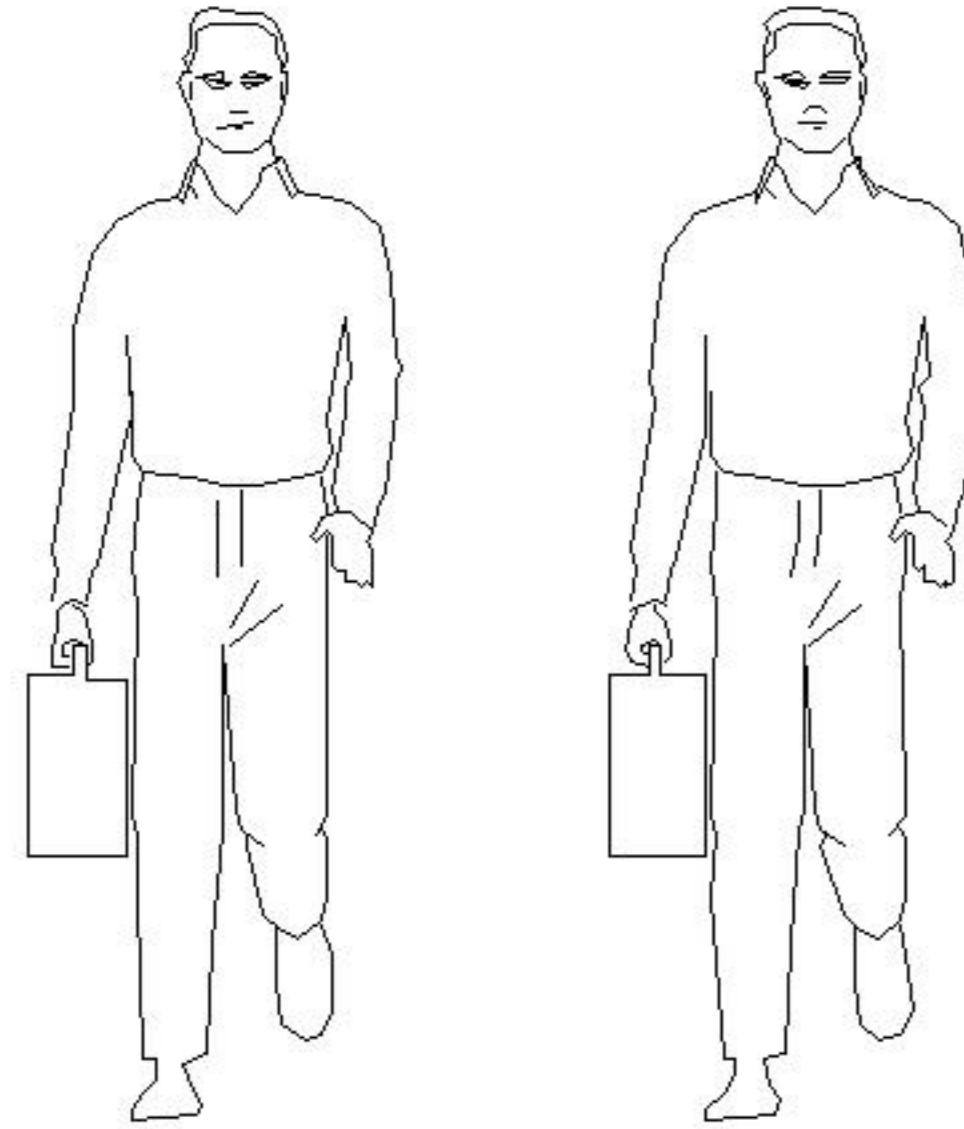


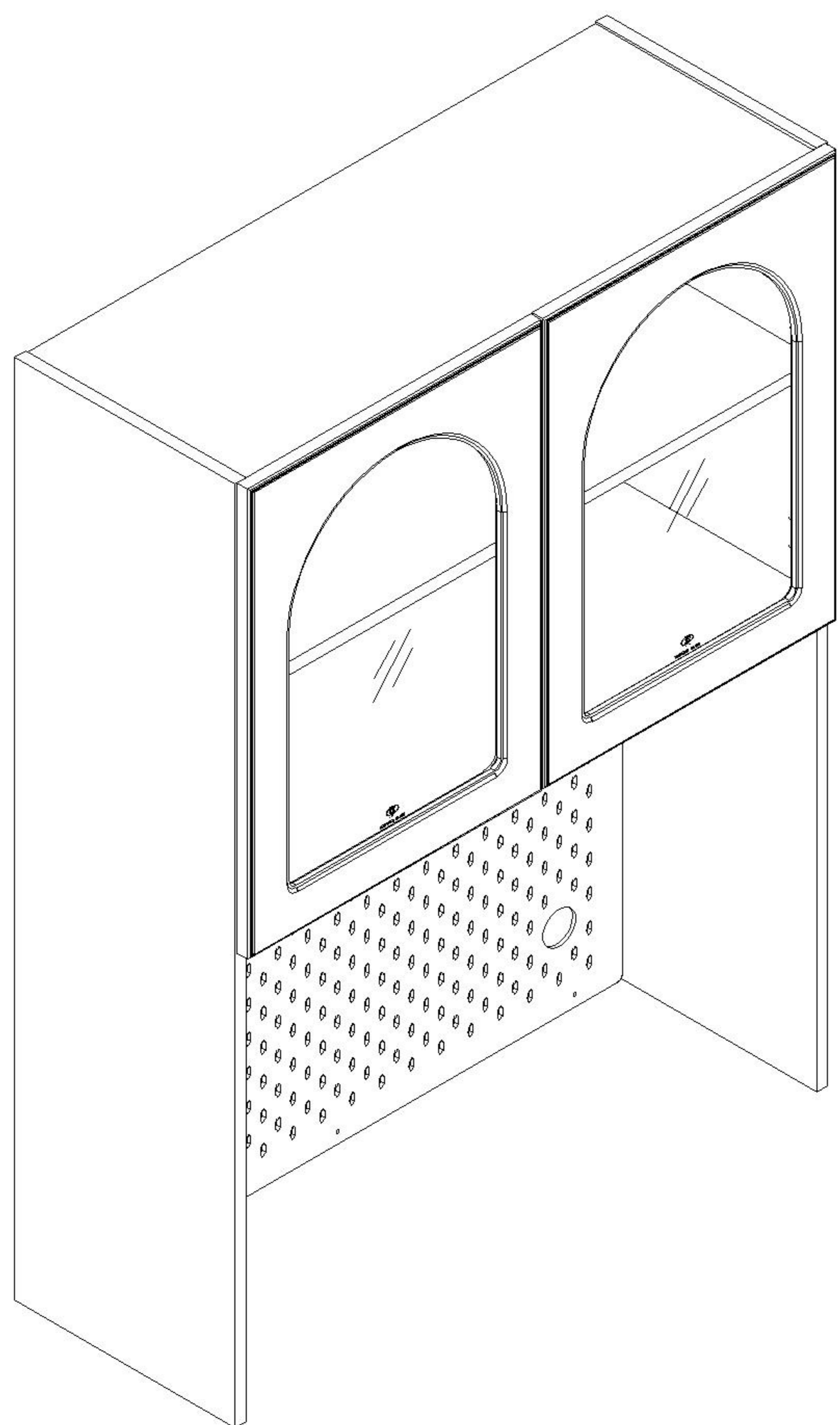
LINSY 林氏家居

五金表/Hardware list

部件表/Parts List

安装示意图/Assembly Instruction

产品名称 Model NO.	TE5T-A
产品规格 Specification	800*316*1103 mm
安装工具 Tool	安装人数 Installer
	

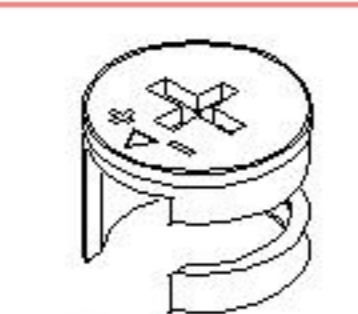


 (A)* 18 大三合一锁饼 Three-in-one large lock	 (B)* 18 二合一螺杆 2-in-1-screw	 (C)* 8 木榫Ø8x30mm wood tenon	 (D)* 4 层板托 shelf support
 (E)* 2 铁片 Iron sheet	 (F)* 8 白攻螺丝M3.5x12mm Self-tapping screw	 (G)* 4 缓冲门铰直弯-杯径Ø35 Hinge-straight bending-diameter 35	 (H)* 6 自攻大扁M4*16mm Self tapping flat screw
 (I)* 4 自攻螺丝M4x25mm Self-tapping screw	 (J)* 8 背板扣 Back Plate Buckle-White	 (K)* 11 自攻螺丝M3.5x16mm Self-tapping screw	 (L)* 1 夹板条 Splint strip
 (M)* 1 插座 Socket	 (N)* 1 家具防倒器-白色 Anti-fall device white		

编号NO.	名称Name	规格 (mm) Specification	数量QTY	材质Material
①	顶板 Top board	770*298*15	1	三胺板Melamine
②	左侧板 Side board(L)	1103*298*15	1	三胺板Melamine
③	右侧板 Side board(R)	1103*298*15	1	三胺板Melamine
④	中层板 Middle shelf	770*298*25	1	三胺板Melamine
⑤	中拉条 Brace	770*95*15	1	三胺板Melamine
⑥	下拉条 Bottom brace	770*58*15	1	三胺板Melamine
⑦	垫条1 Cushion strip 1	130*58*15	2	三胺板Melamine
⑧	活动层板 Movable shelf	769*276*15	1	三胺板Melamine
⑨	背板 Back board	780*255*5	2	三胺板Melamine
⑩	左门板组立 Door board assembly(L)	550*397*18	1	吸塑板+钢化玻璃 Blister board+Glass
⑪	右门板组立 Door board assembly(R)	550*397*18	1	吸塑板+钢化玻璃 Blister board+Glass
⑫	装饰板 Decorating plate	769*487*4.8	1	碳晶板 Carbon crystal plate

TE5T-A

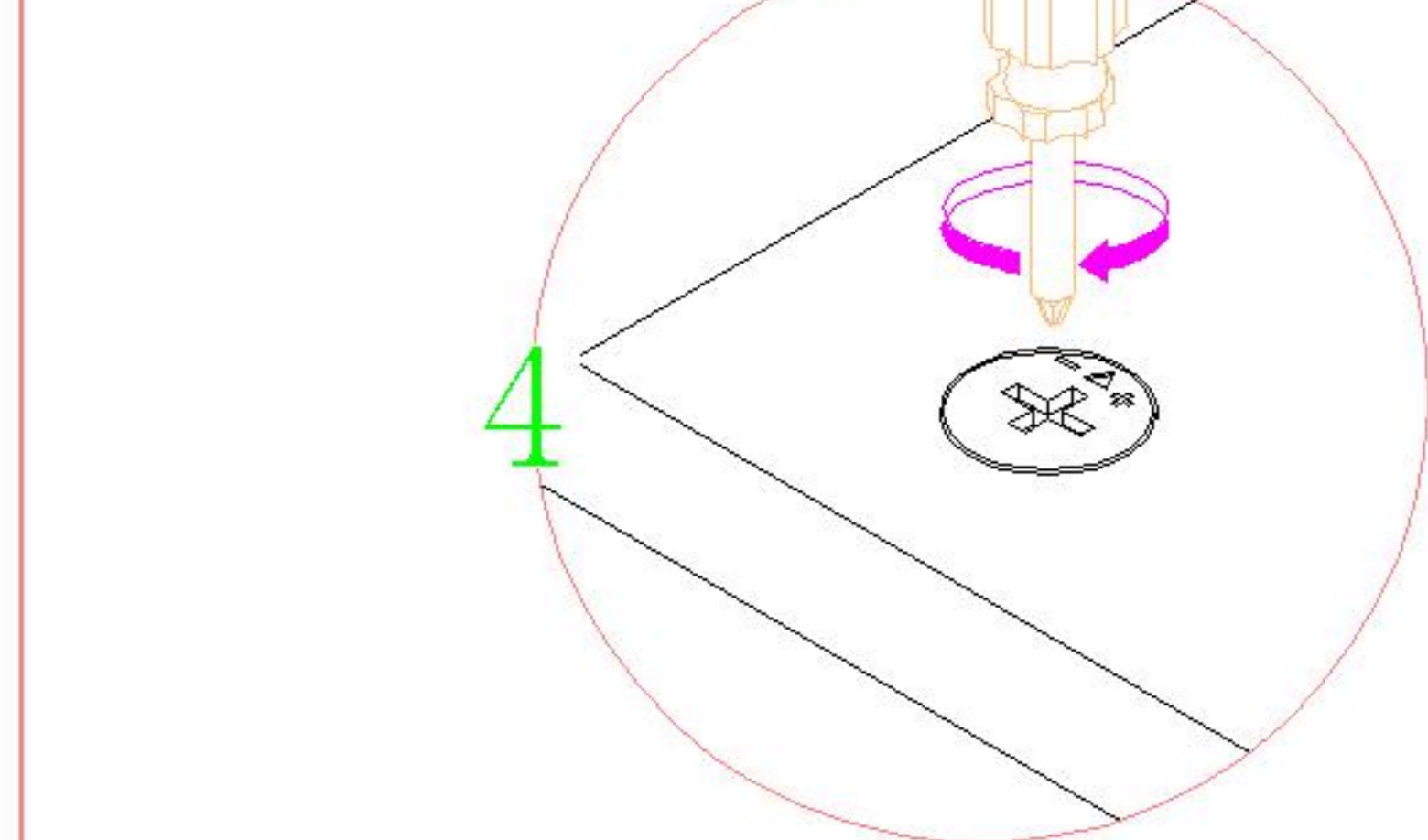
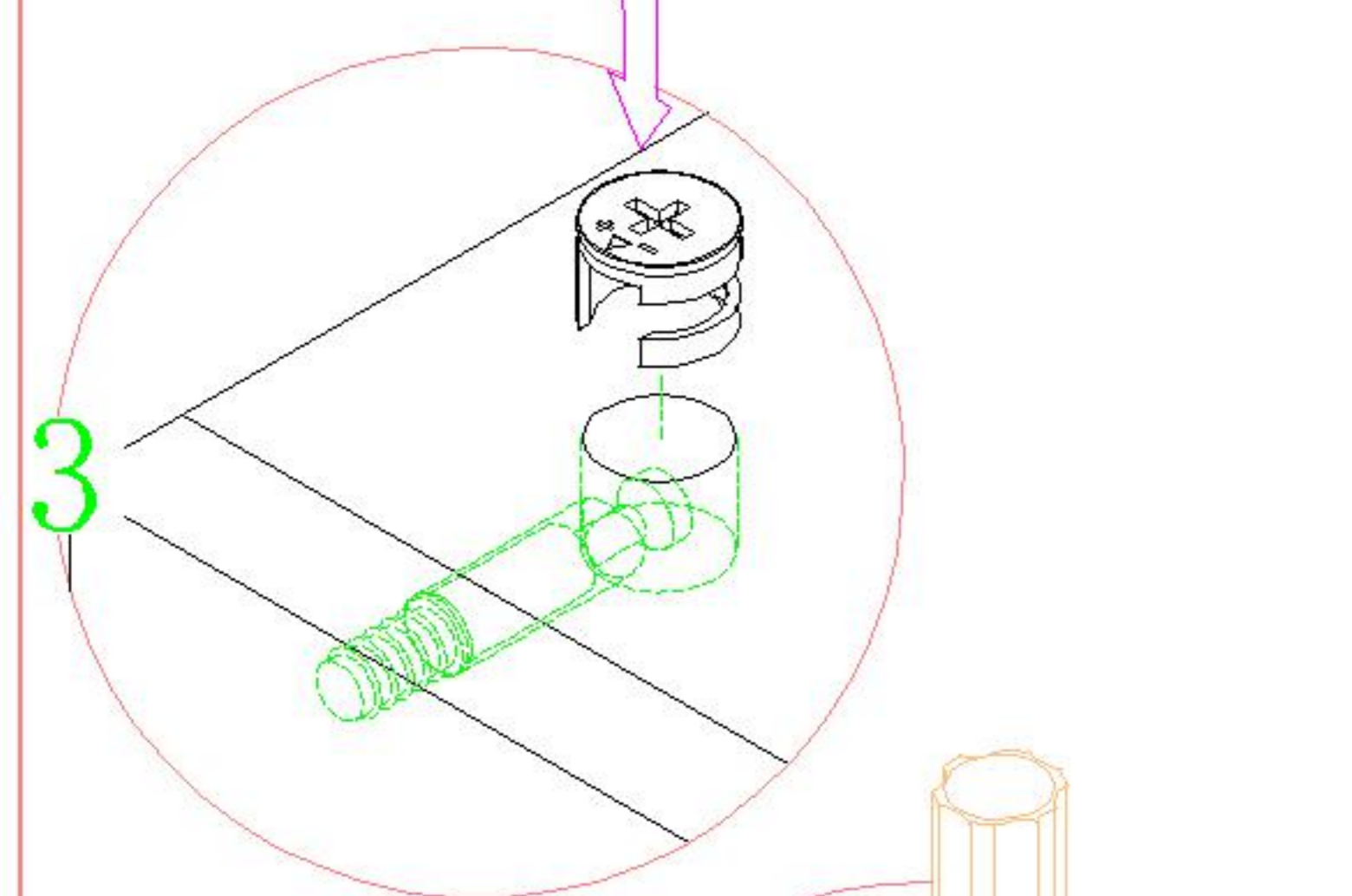
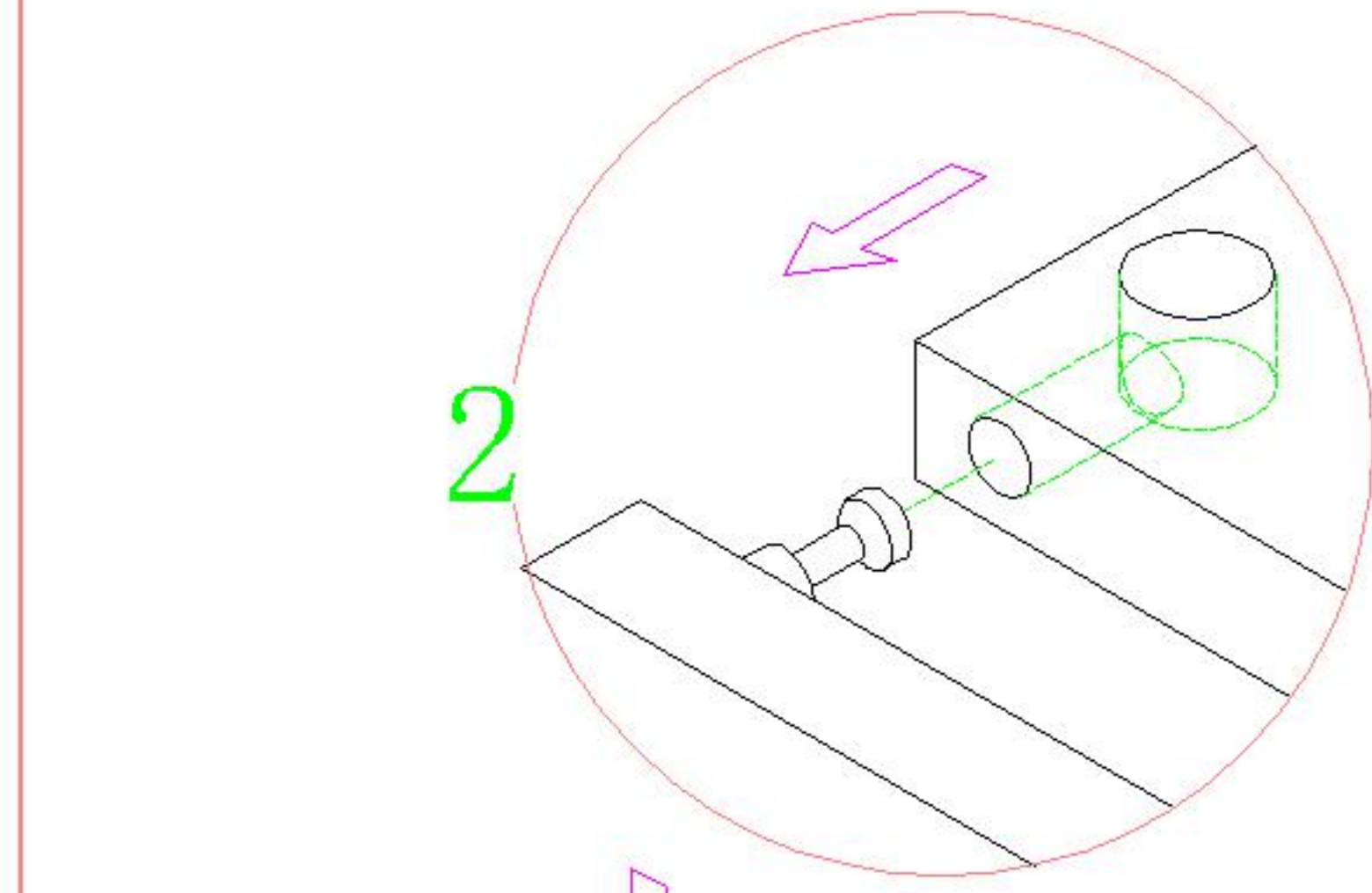
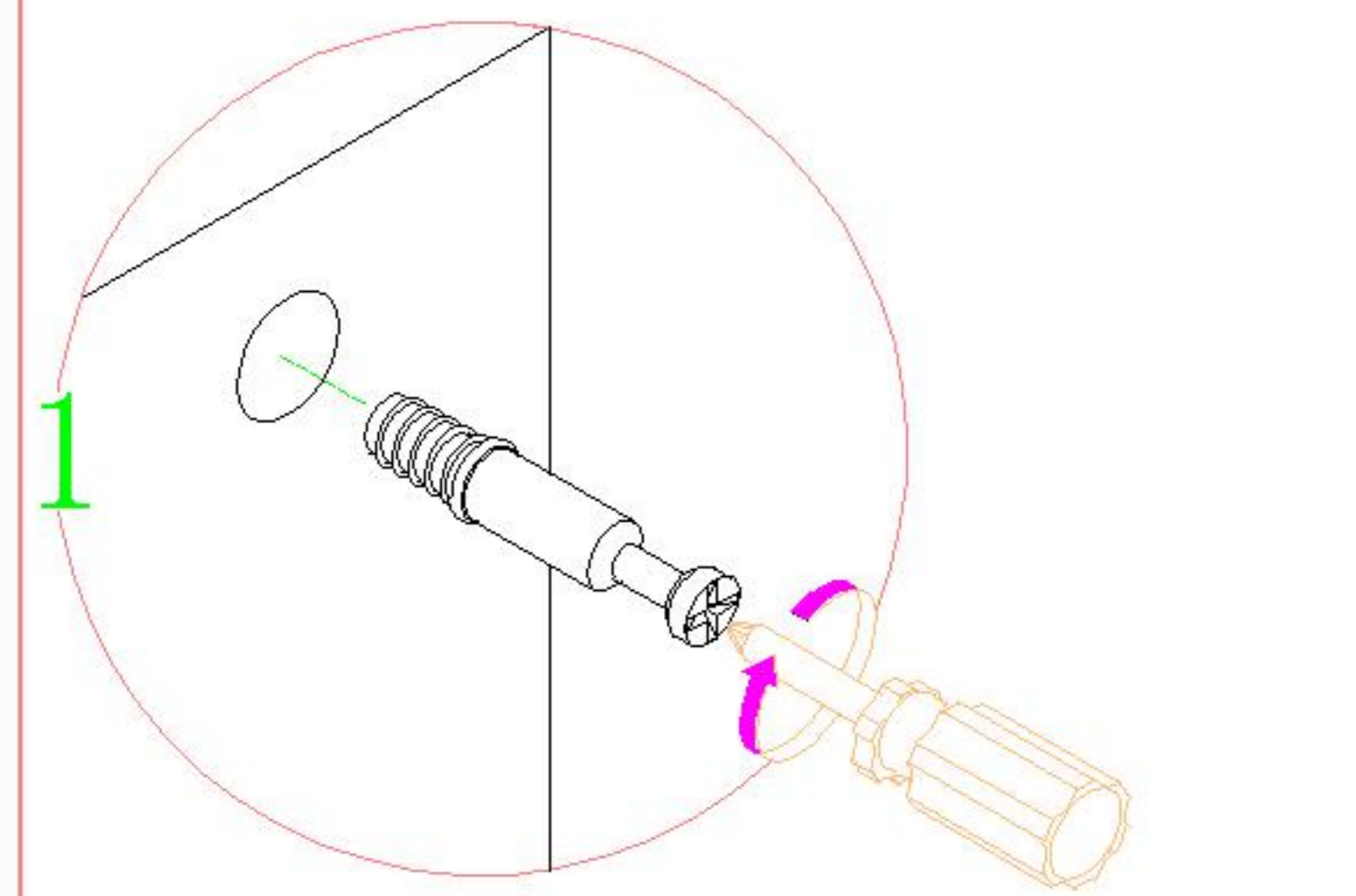
安装方法/
Installation method



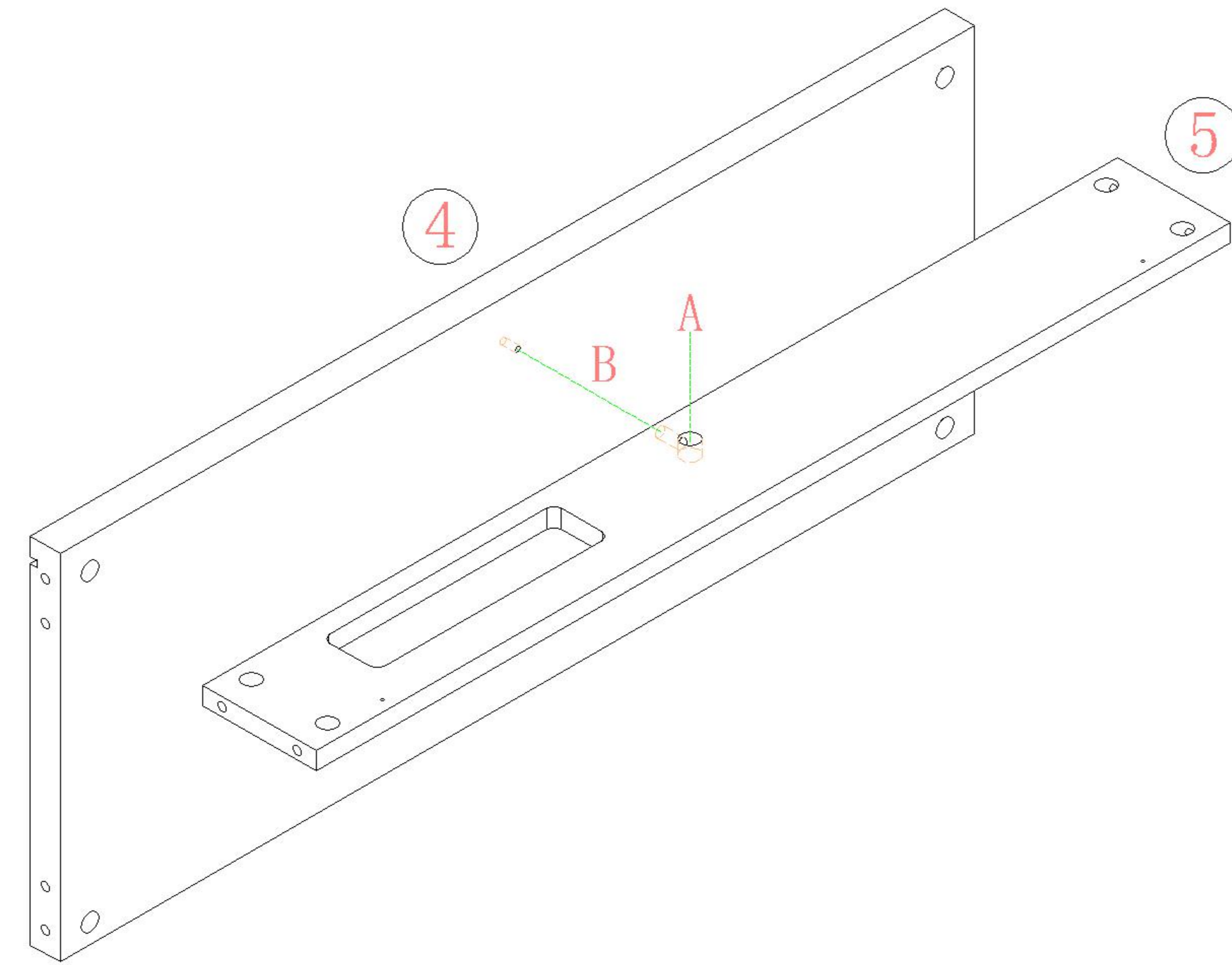
(A)*1



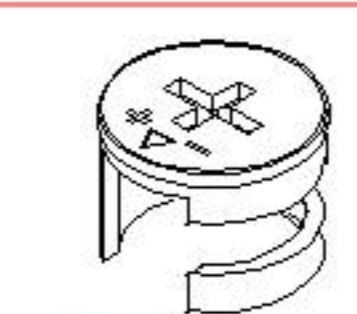
(B)*1



大二合一
two-in-one



1



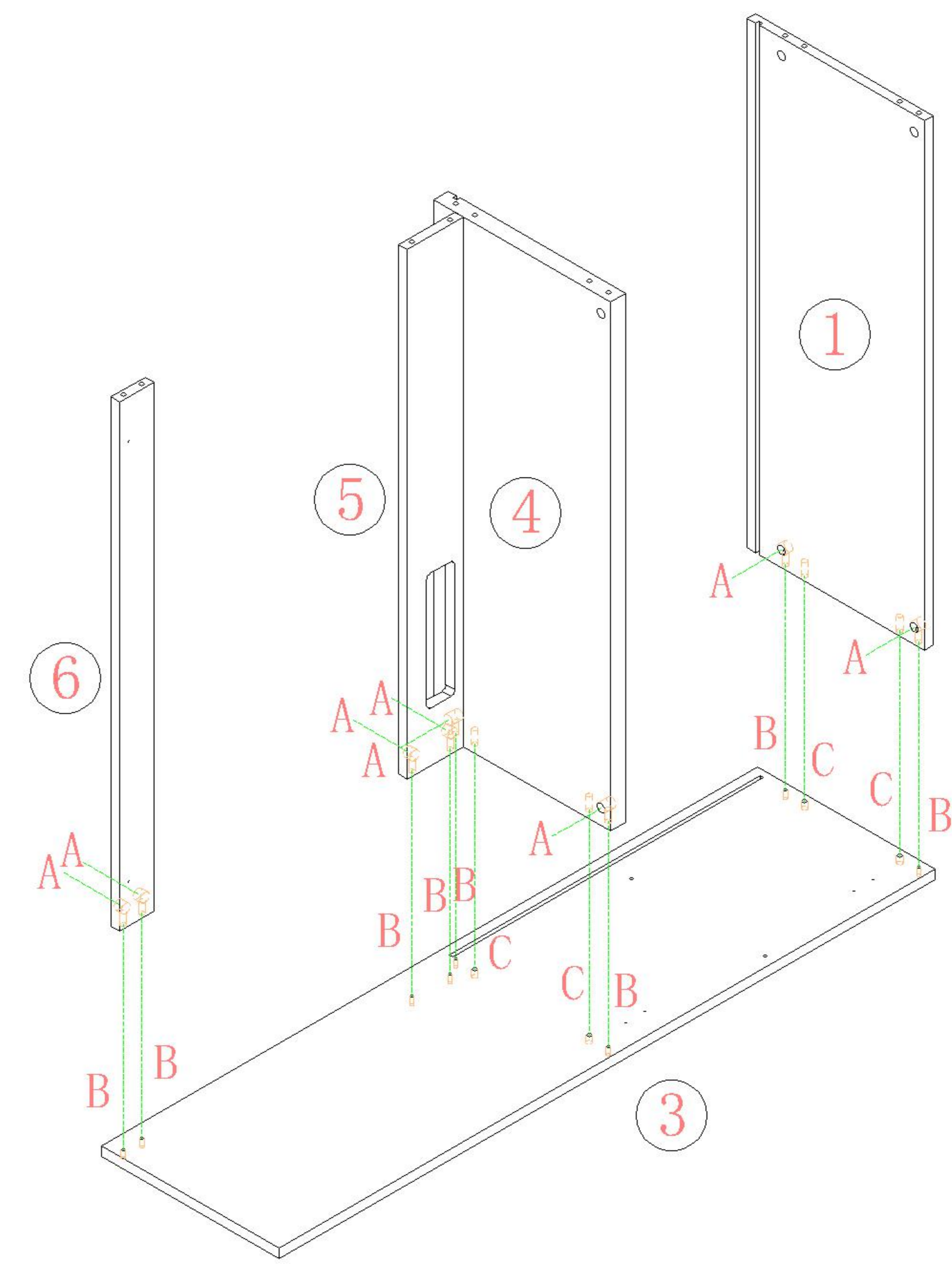
(A)*8



(B)*8



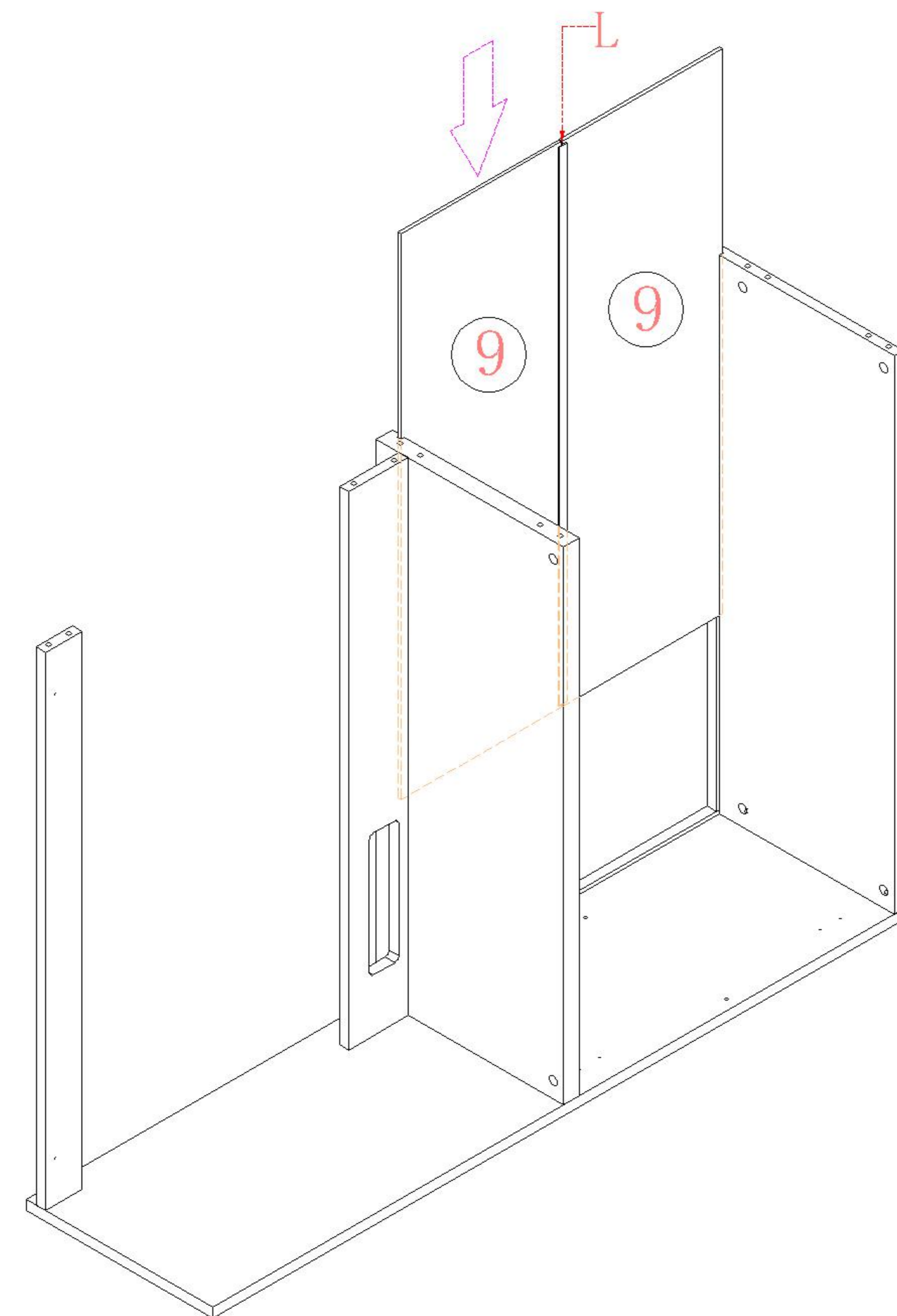
(C)*4



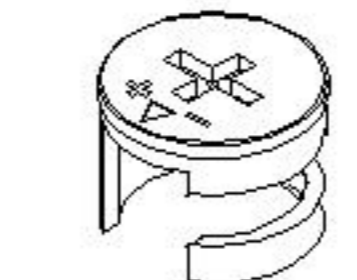
2



(L)*1



3



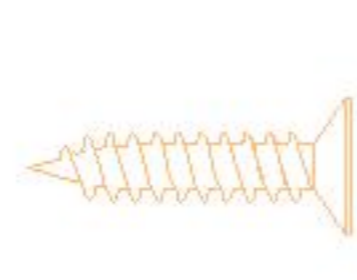
(A)*8



(B)*8



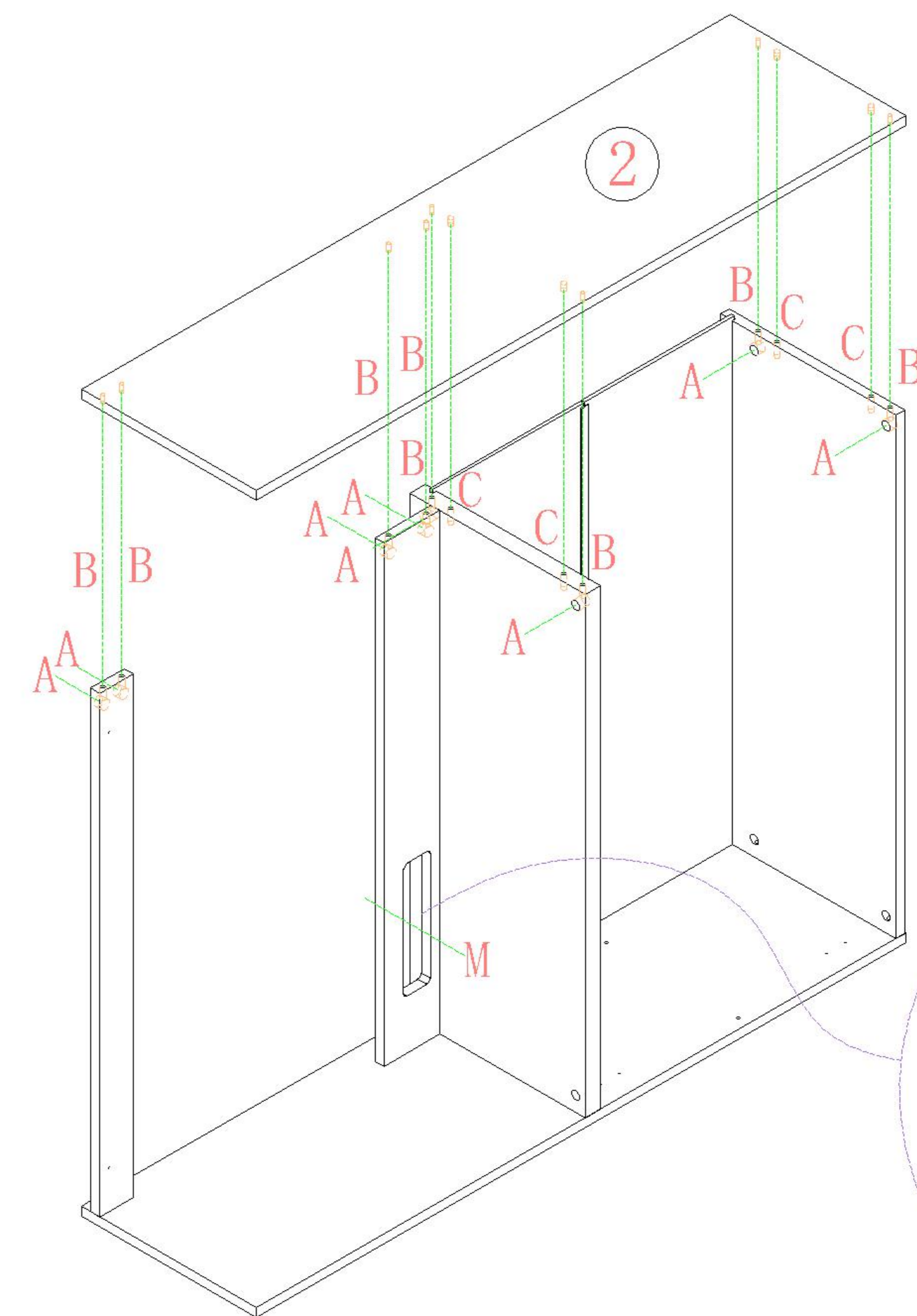
(C)*4



(K)*2



(M)*1



4

TE5T-A

安装方法/ Installation method

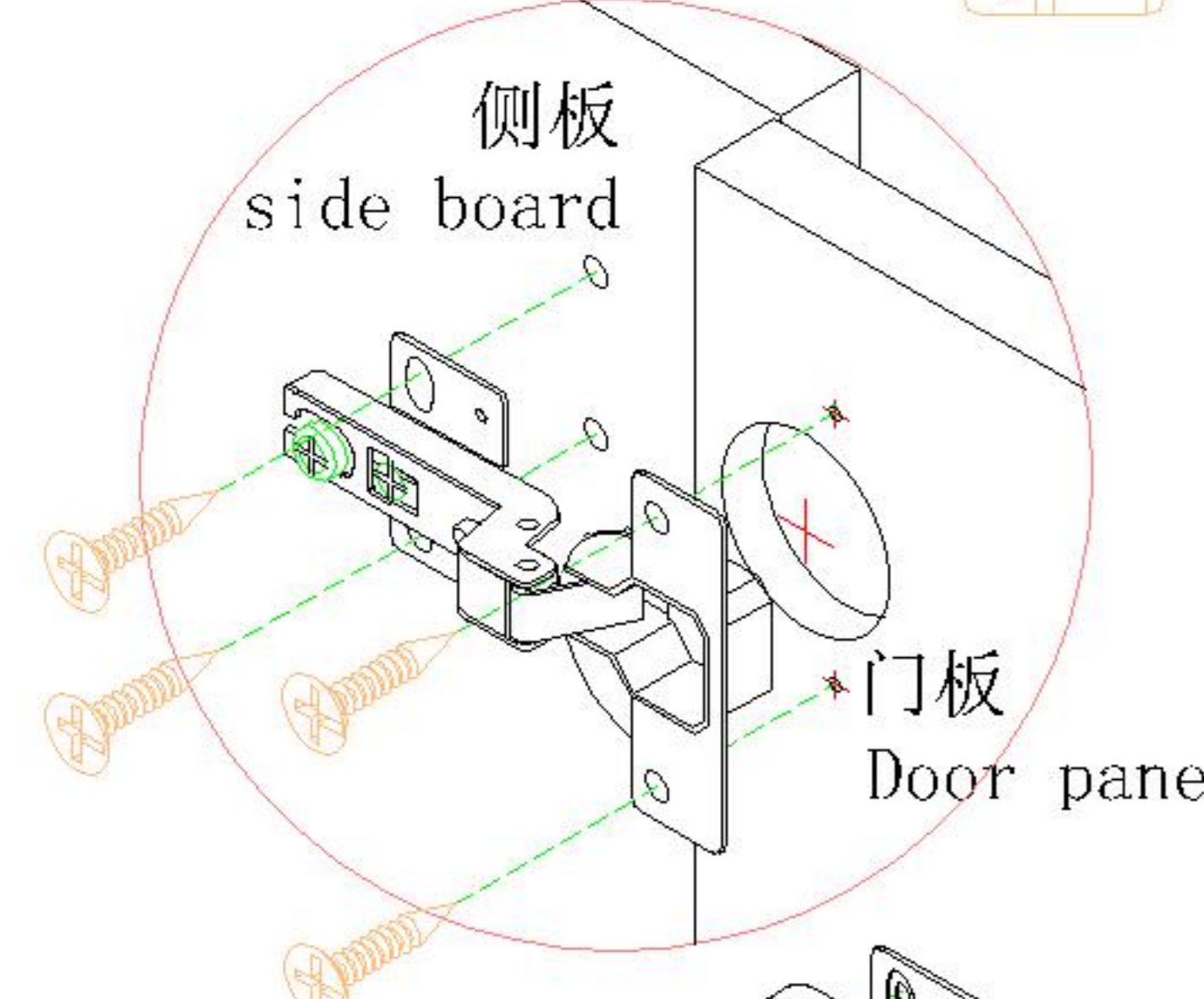
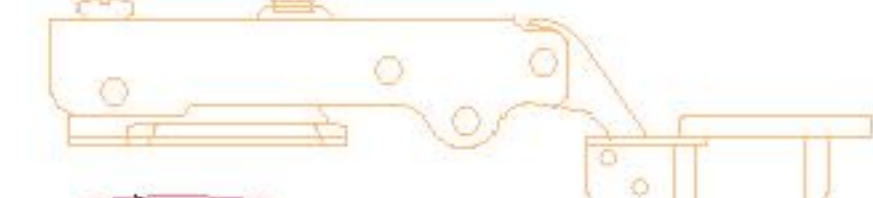
大弯big bend



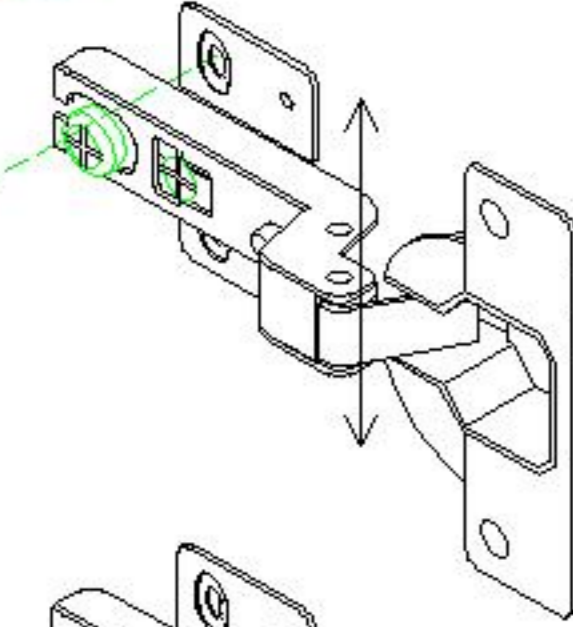
中弯middle bending



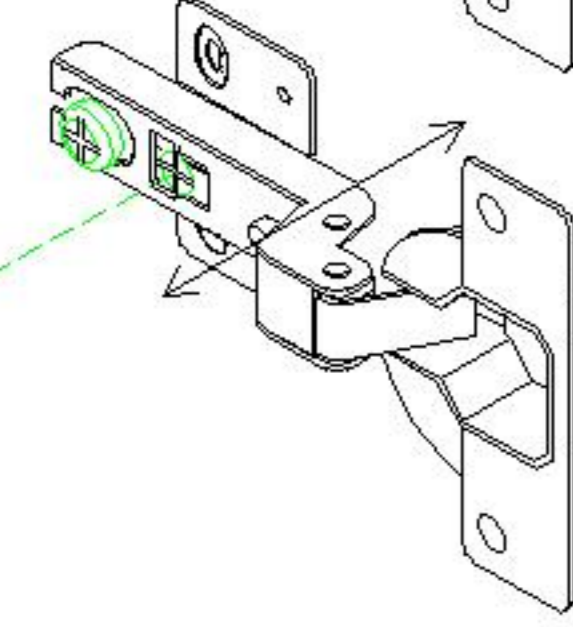
直弯straight bending



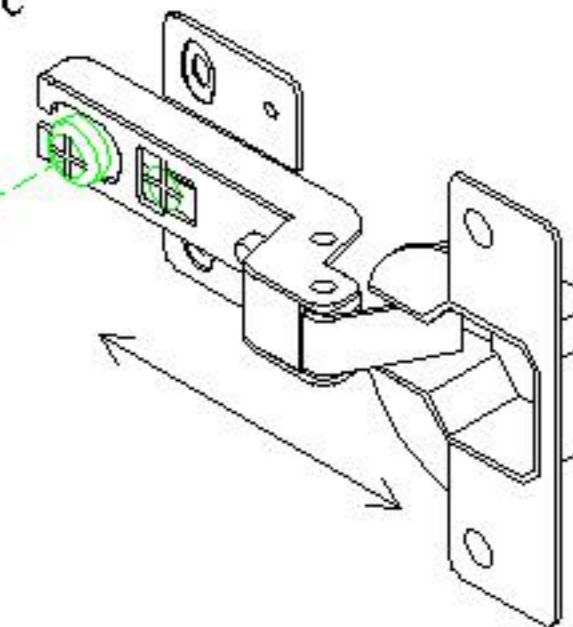
调节上下
Adjust up and down



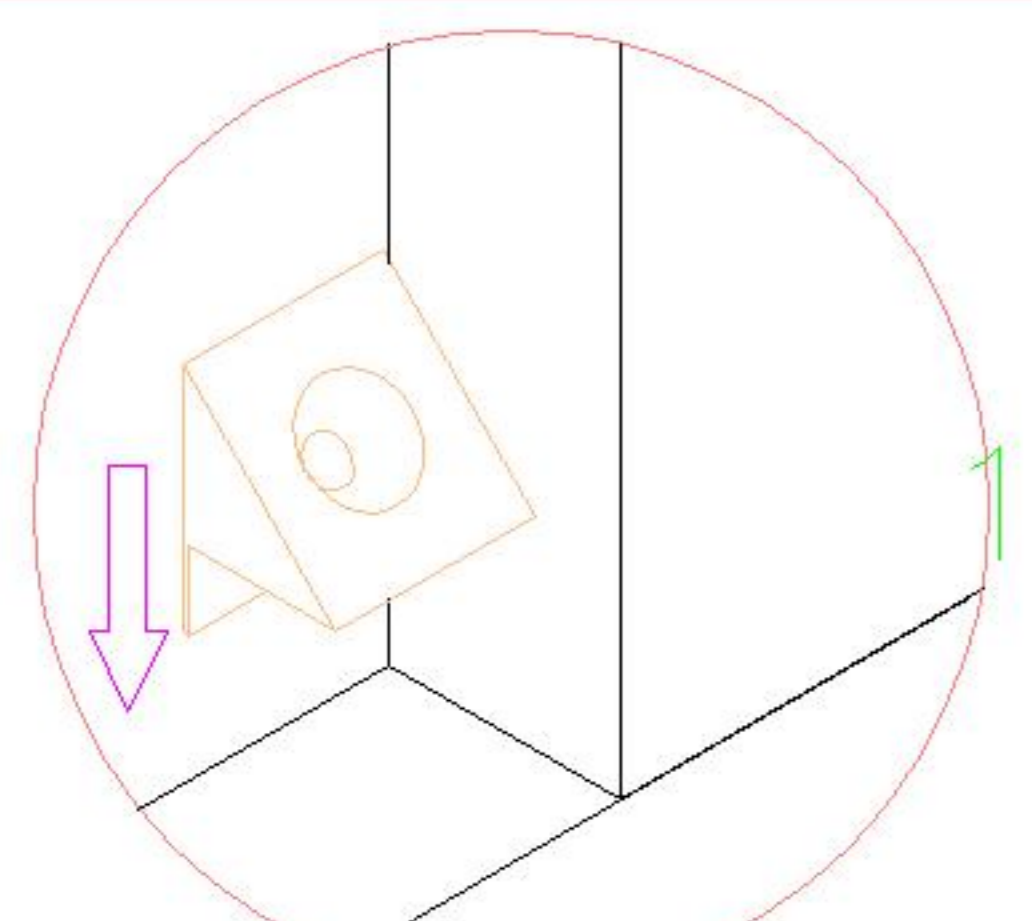
调节左右
Adjust left and right



调节前后
Before and after adjustment



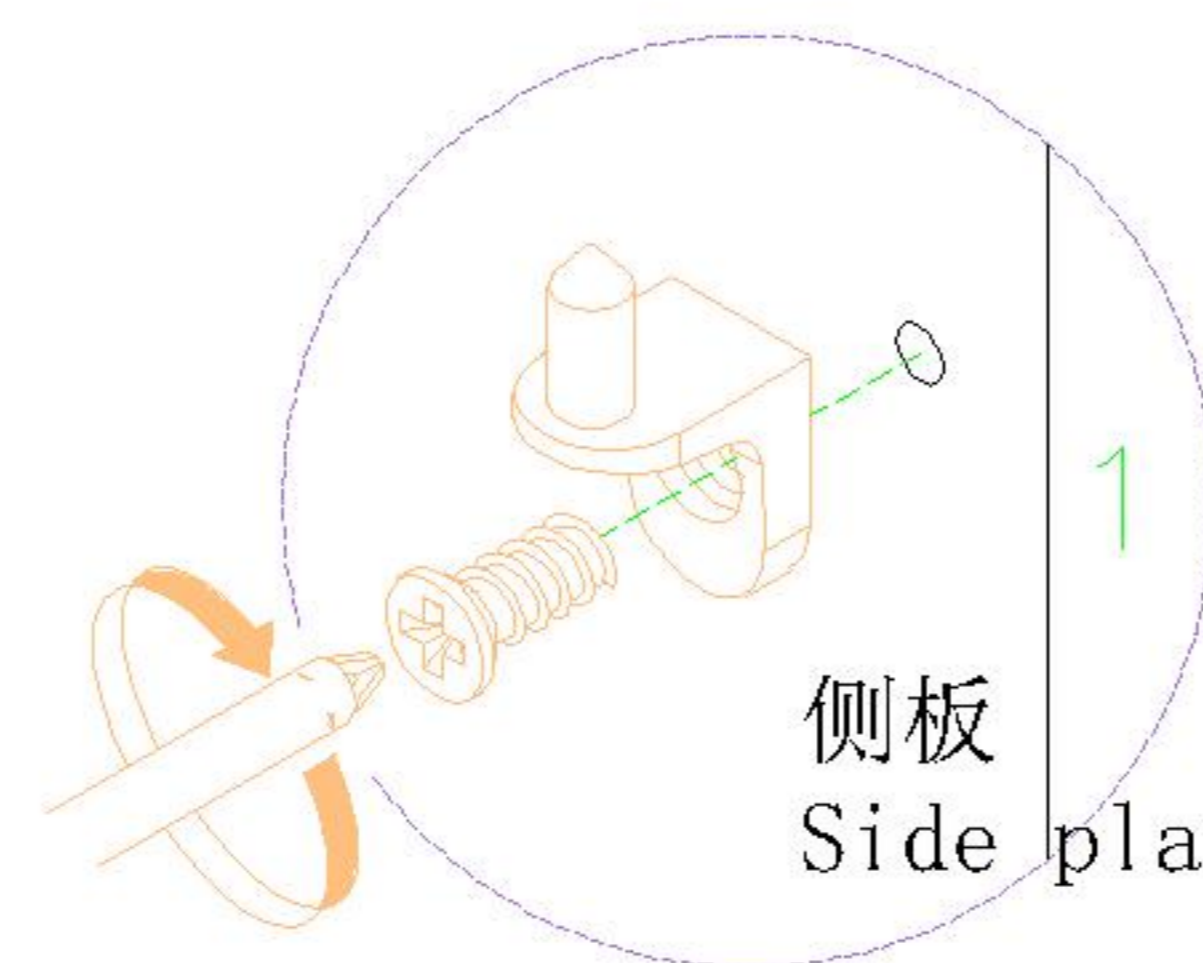
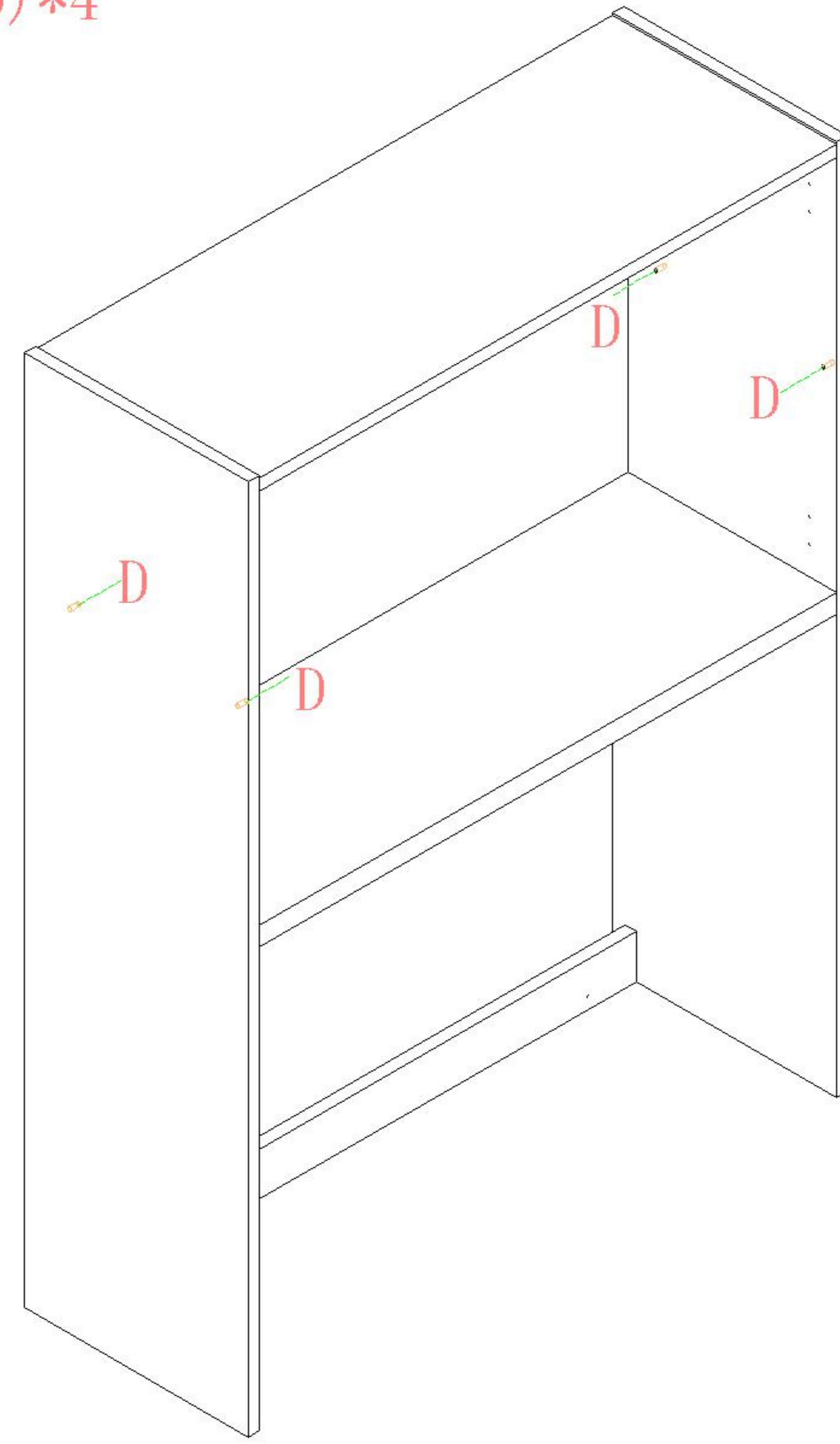
门铰
Hinge



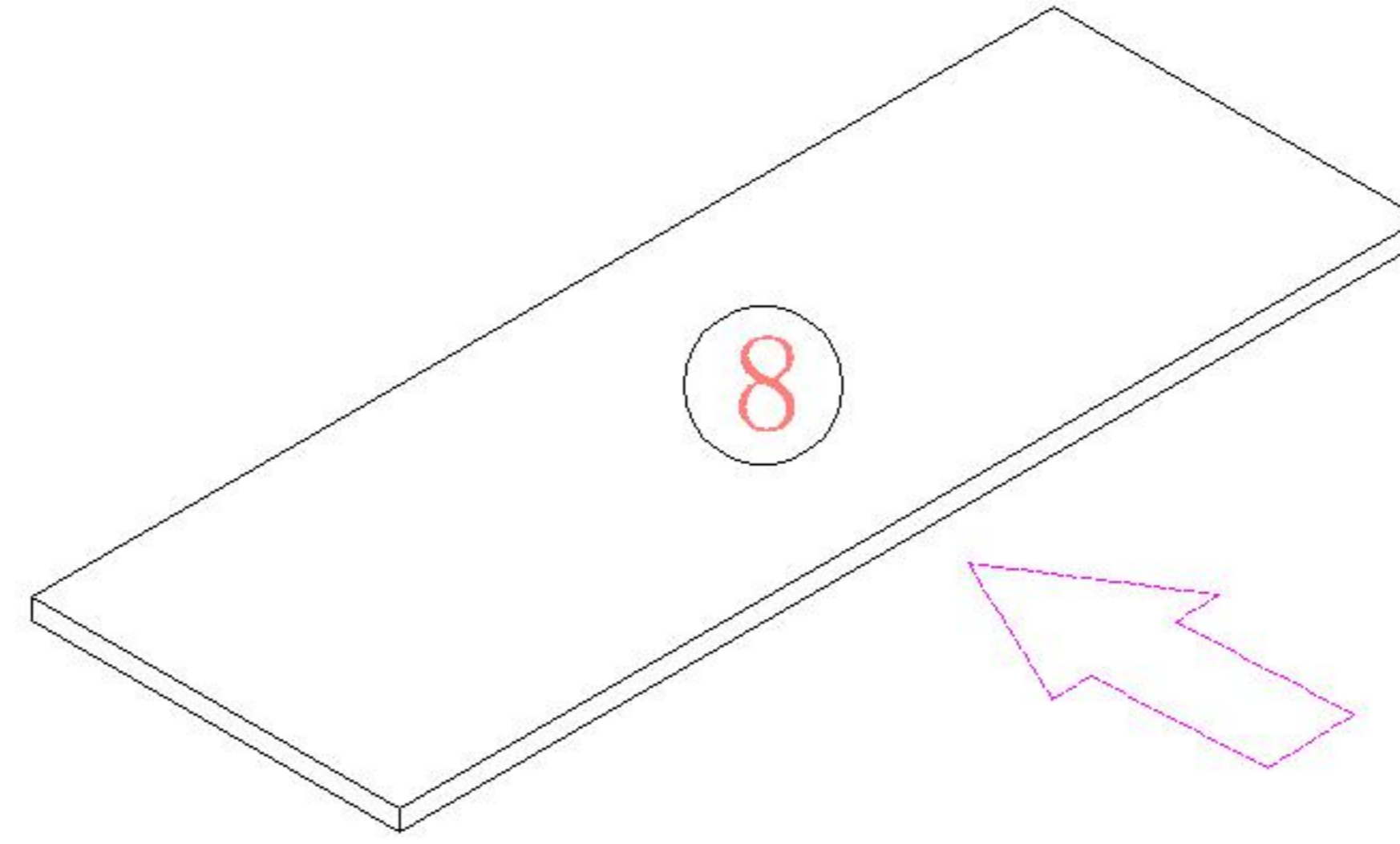
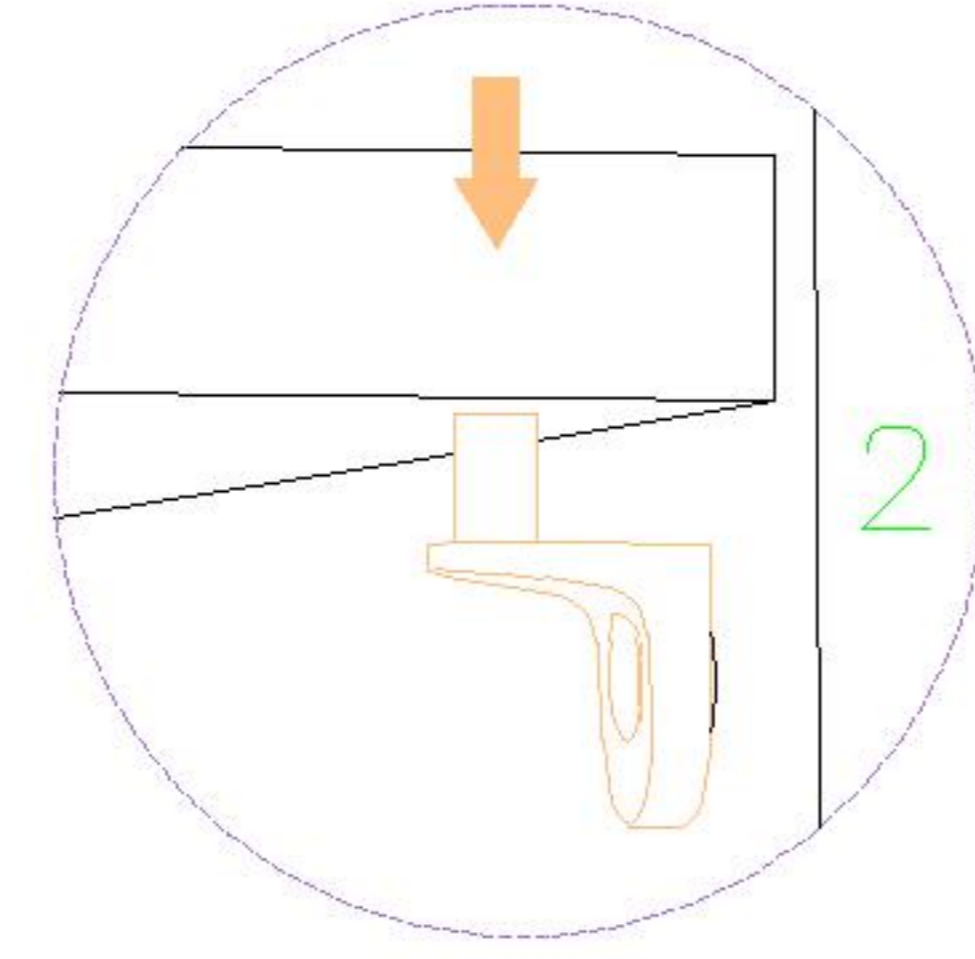
背板扣
Back Plate Buckle-White



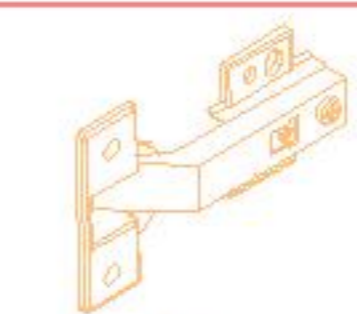
(D)*4



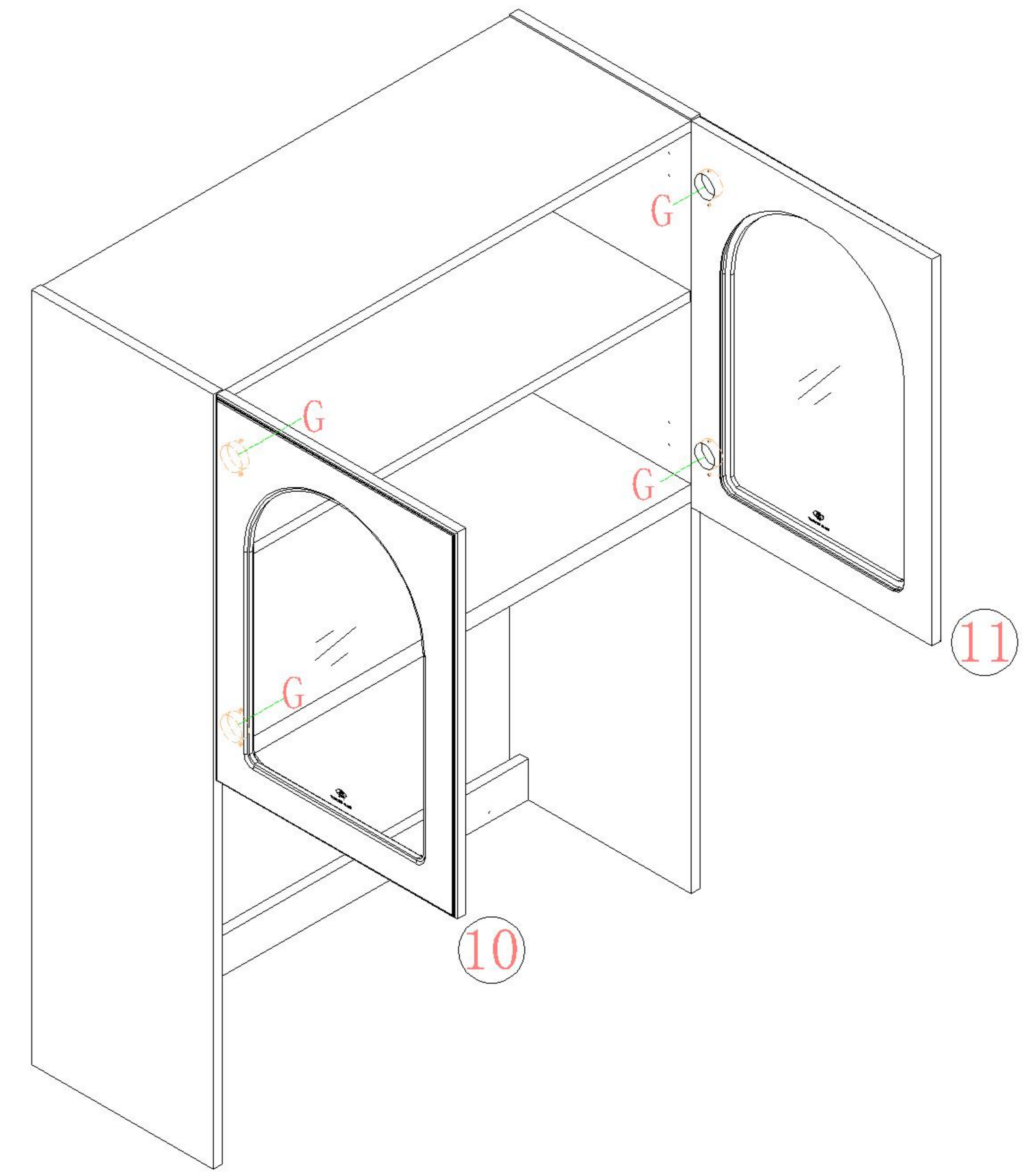
侧板
Side plate



5

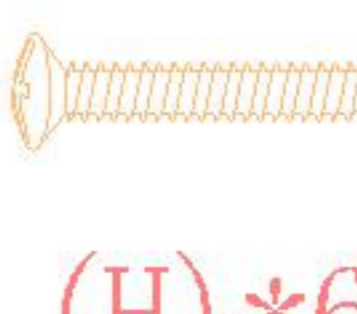


(G)*4

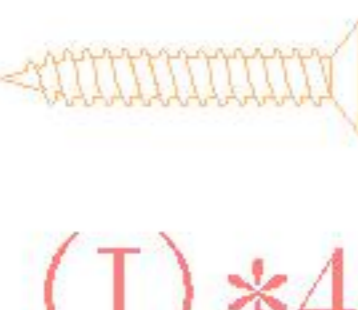


6

7



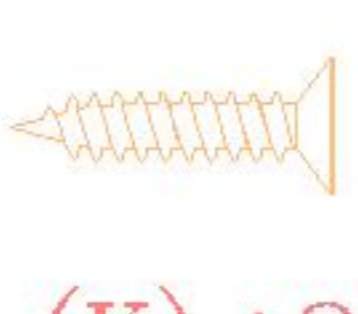
(H)*6



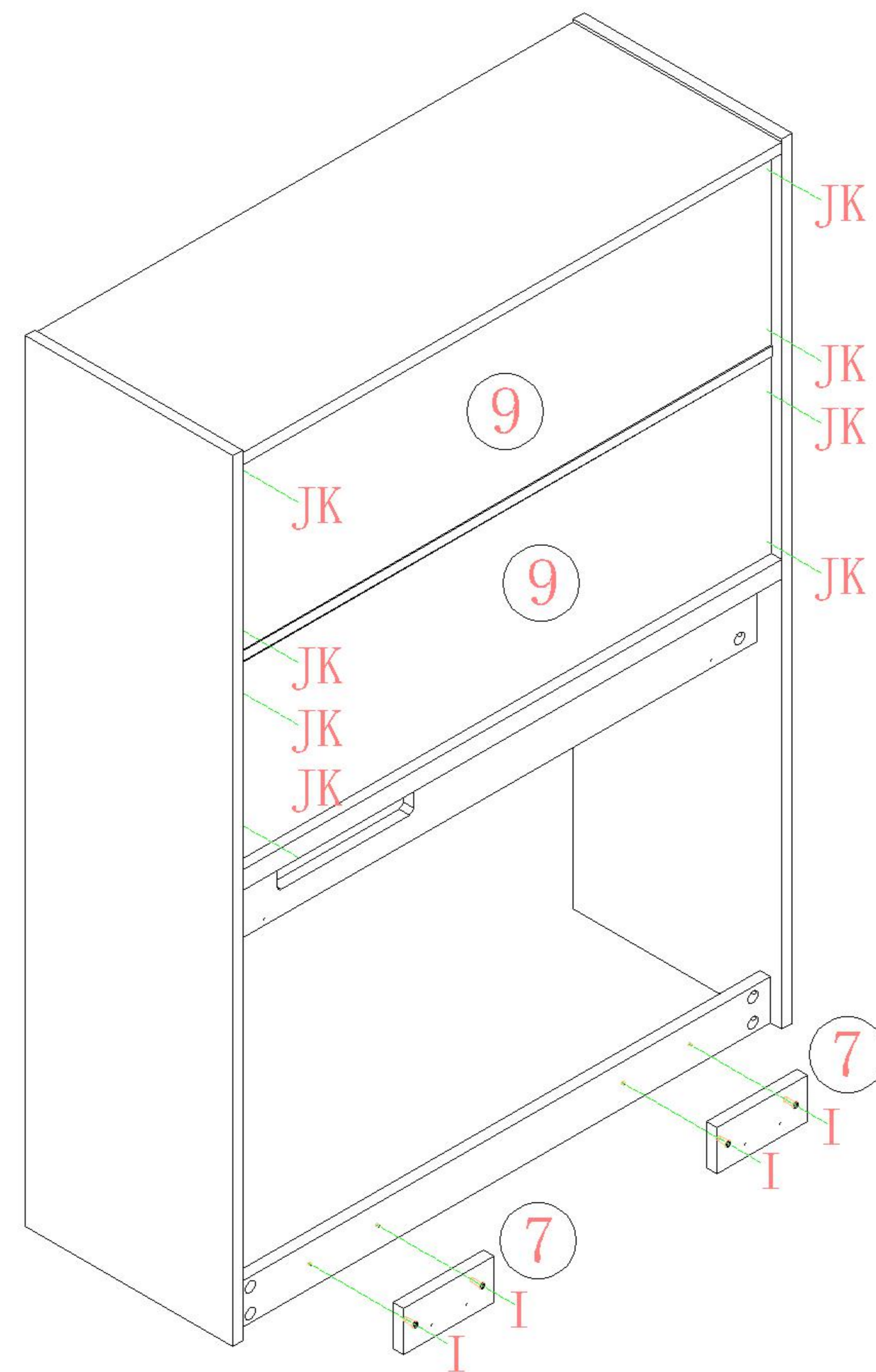
(I)*4



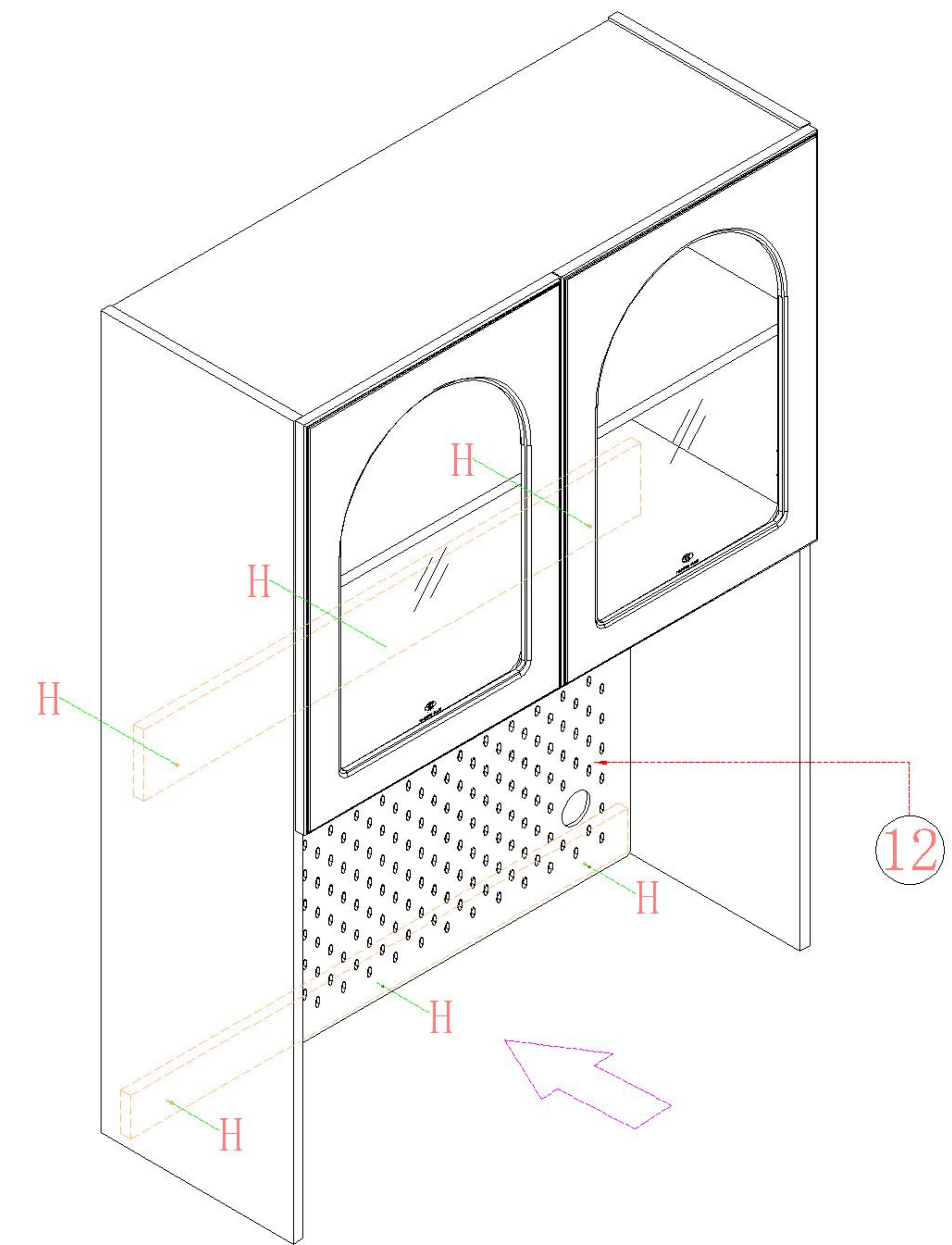
(J)*8



(K)*8

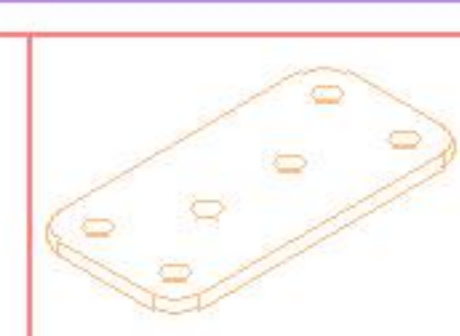


8

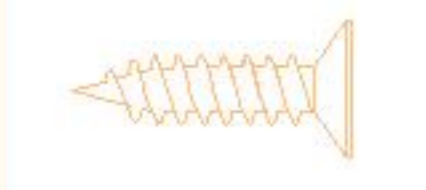


TE5T-A

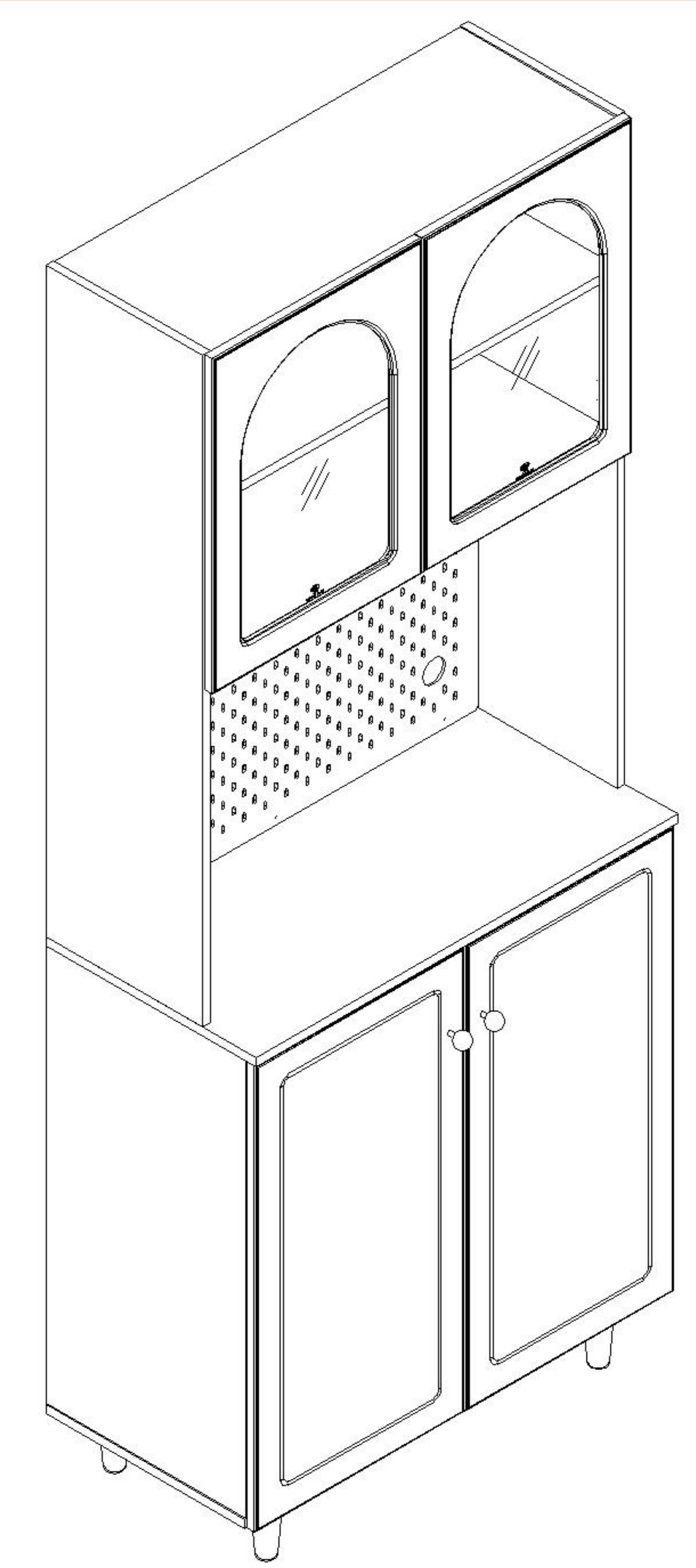
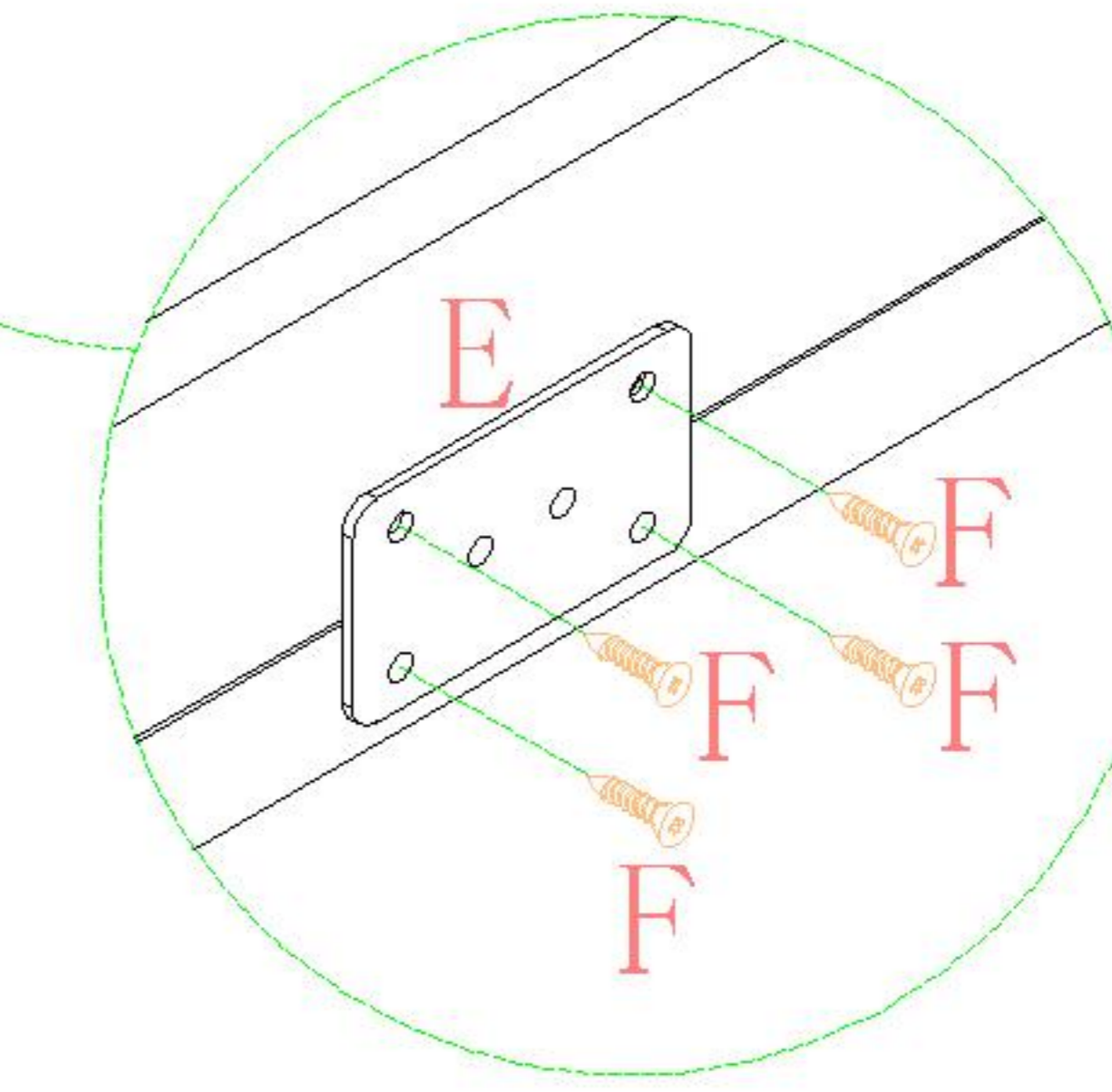
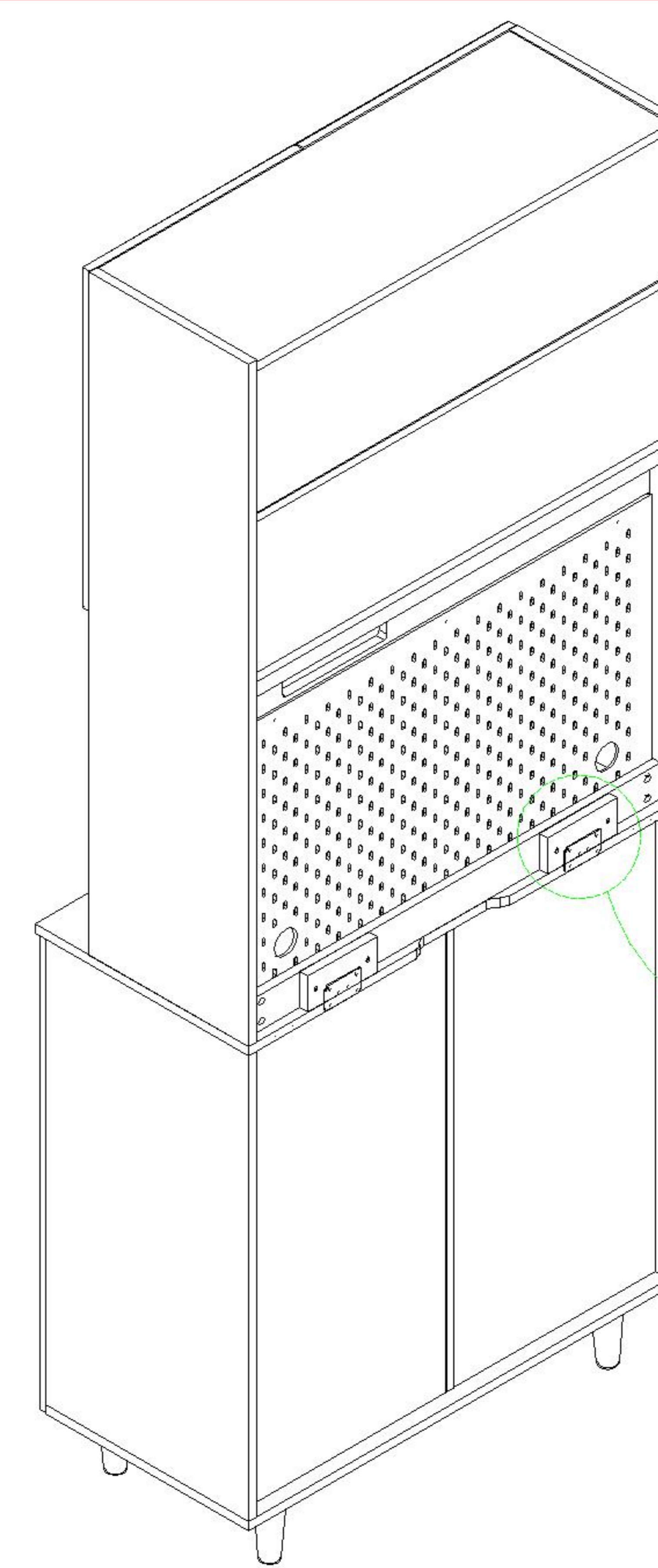
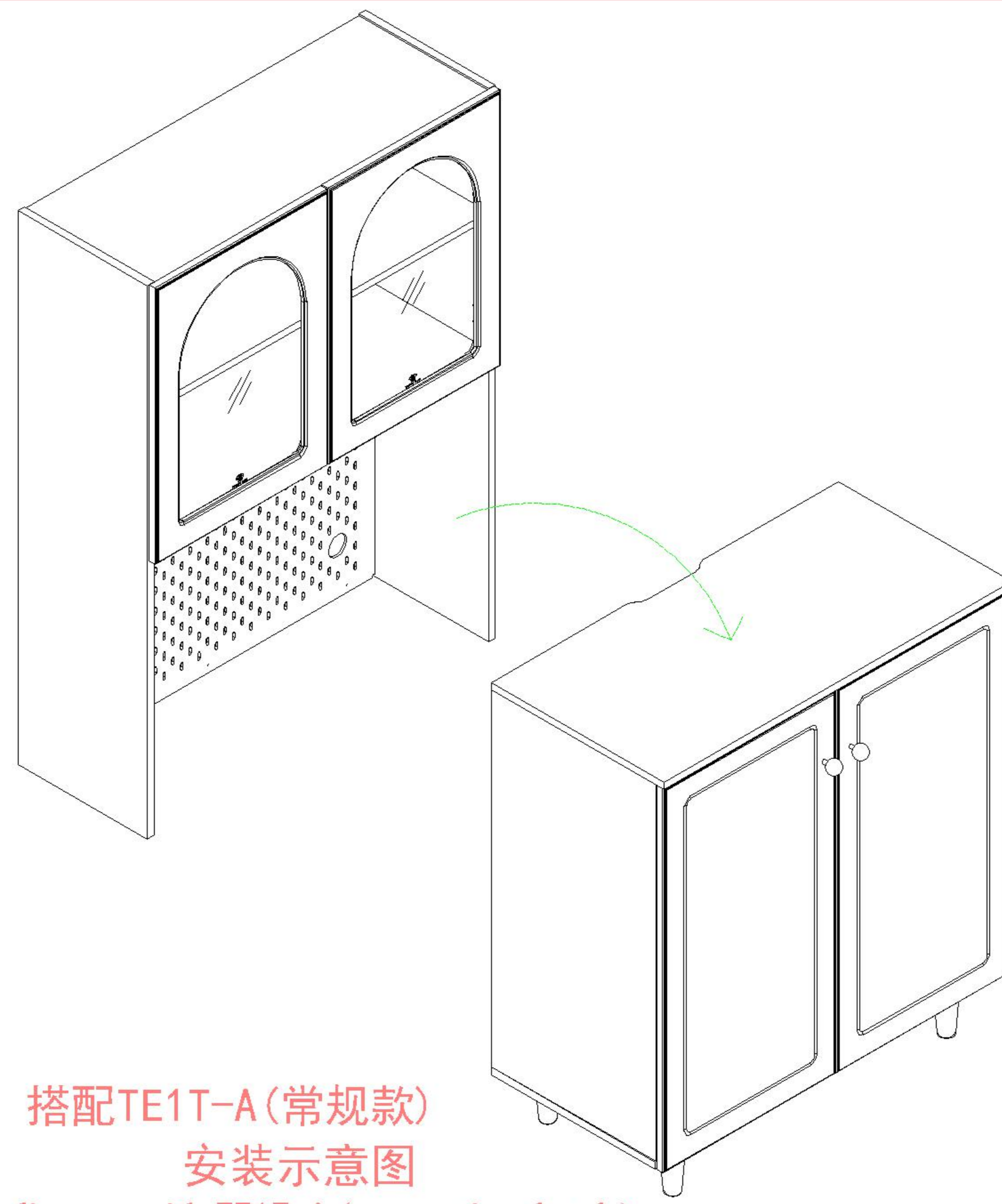
安装方法/
Installation method



(E)*2



(F)*8



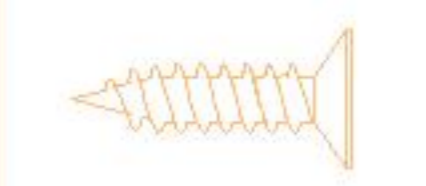
▲ 搭配TE1T-A(常规款)
安装示意图

Installation diagram with TE1T-A (conventional style)

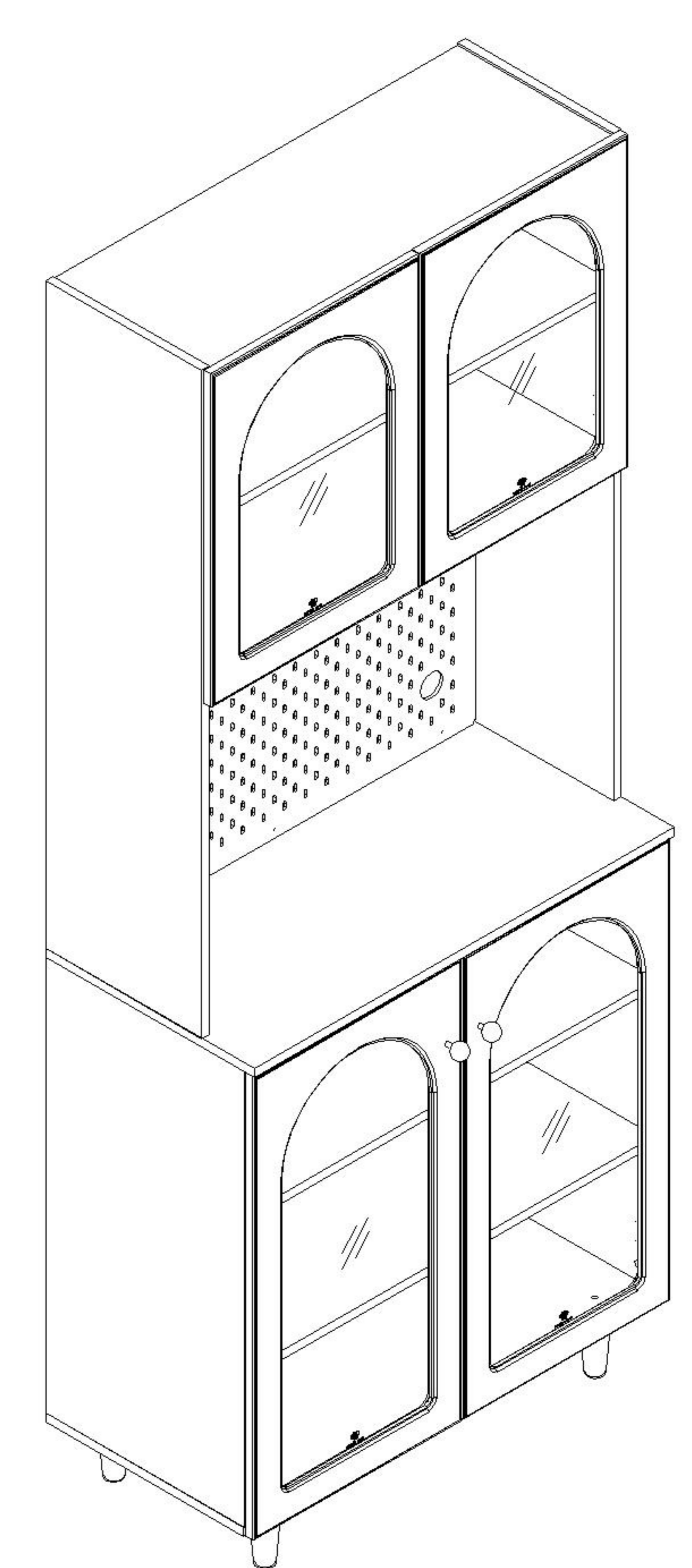
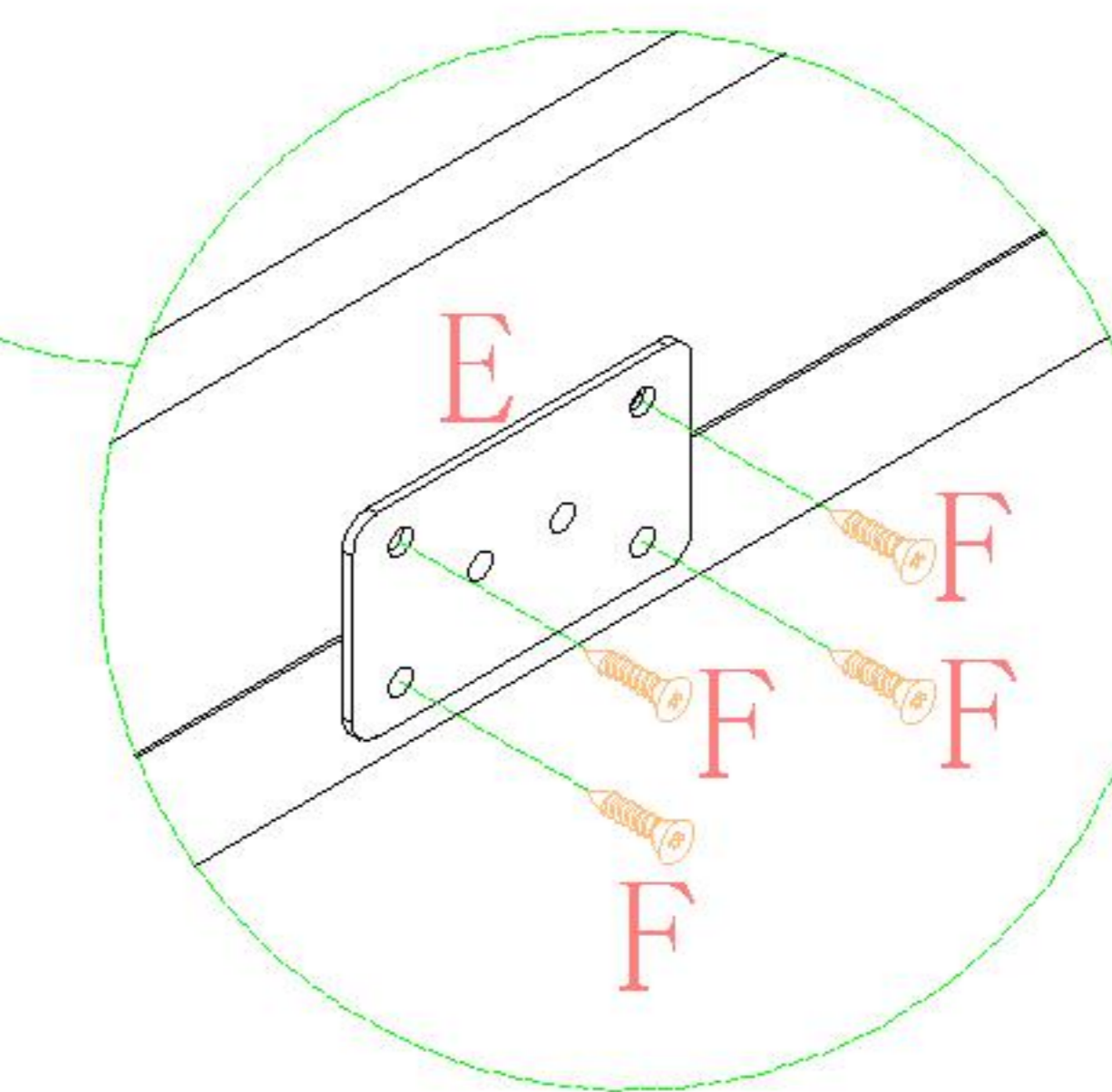
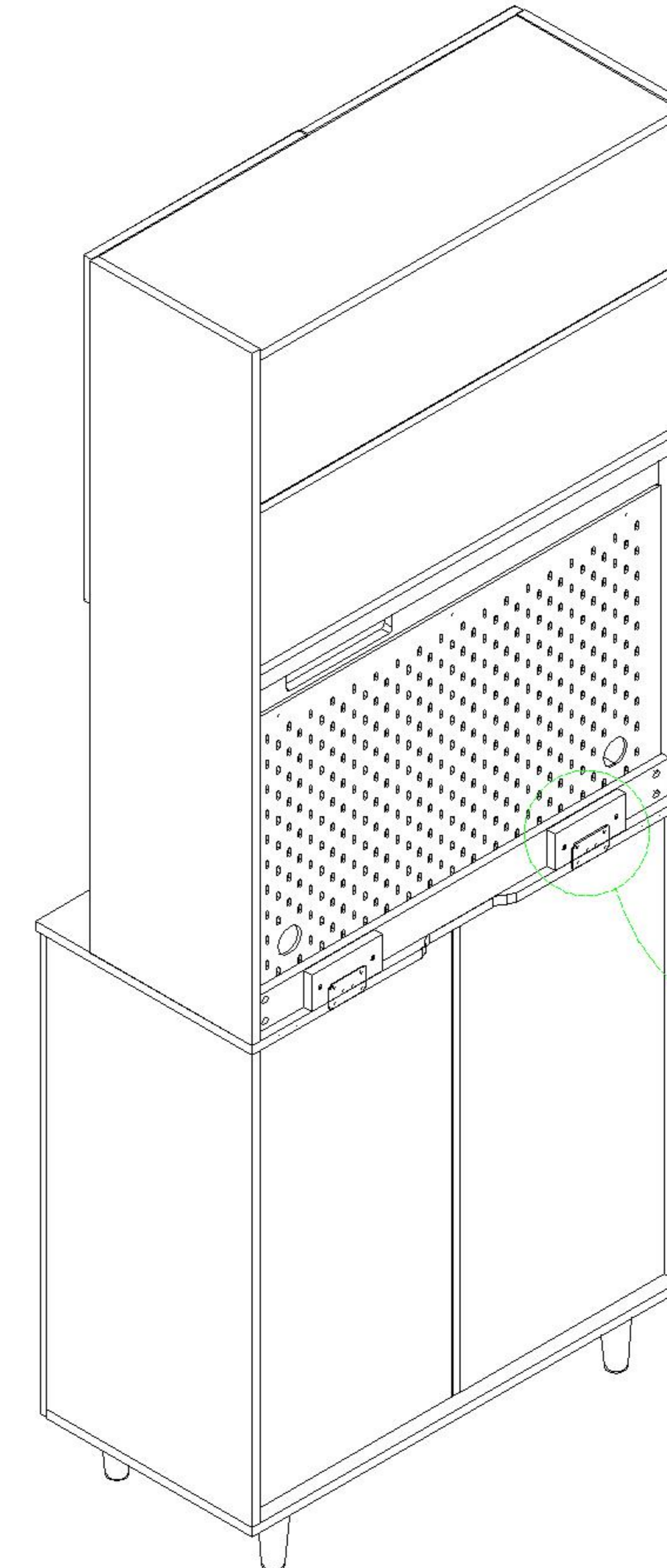
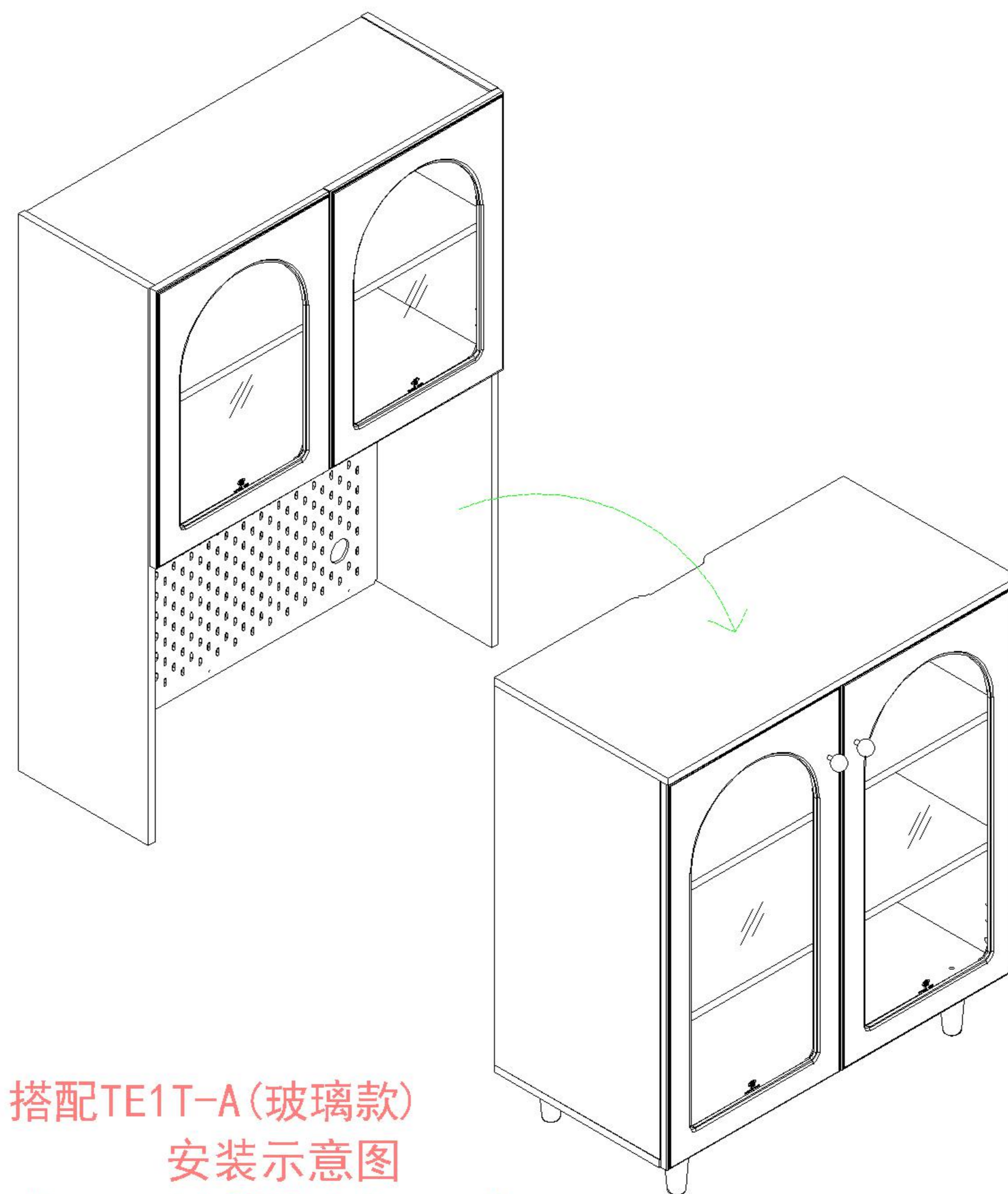
9



(E)*2



(F)*8

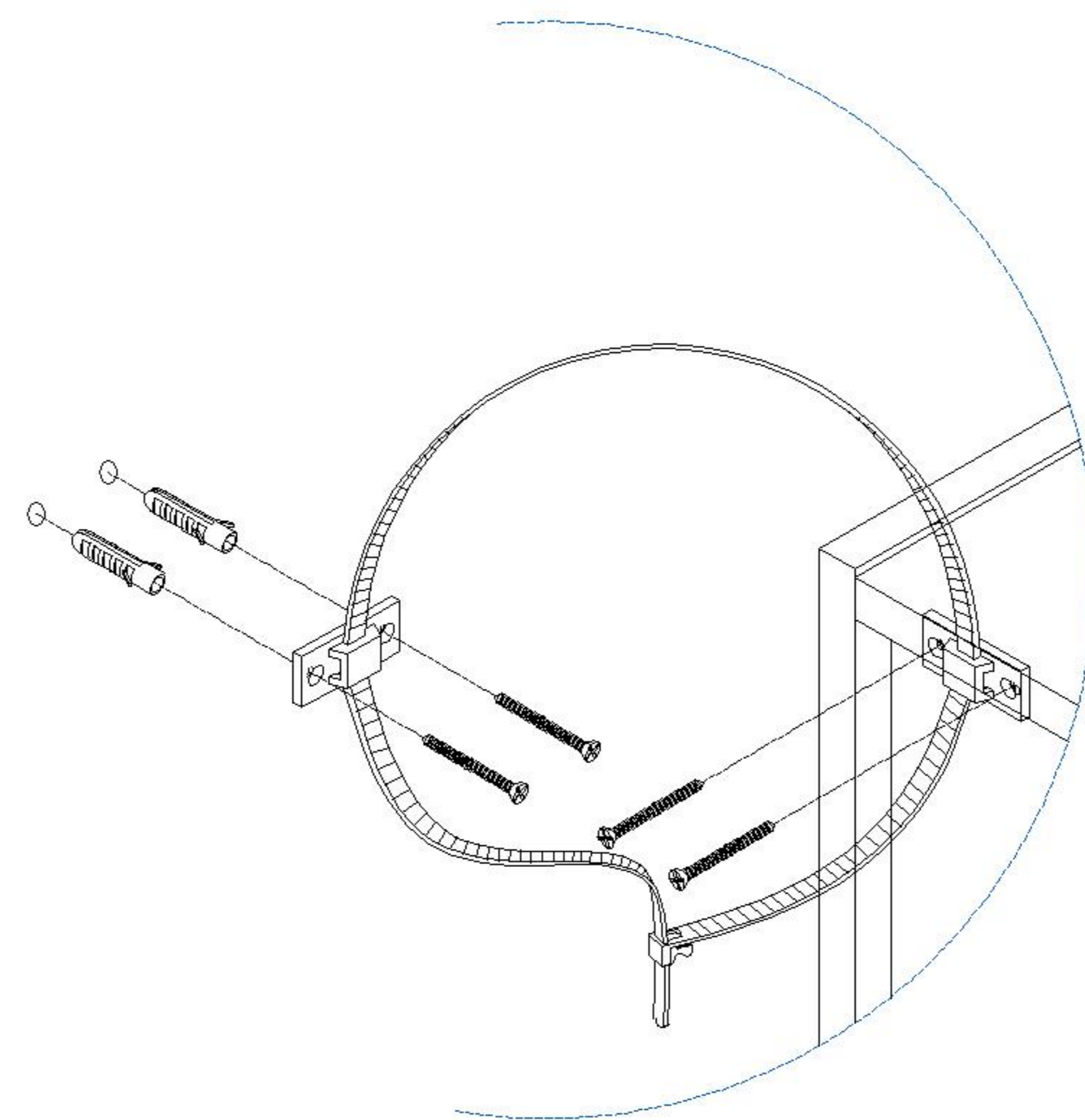


▲ 搭配TE1T-A(玻璃款)
安装示意图

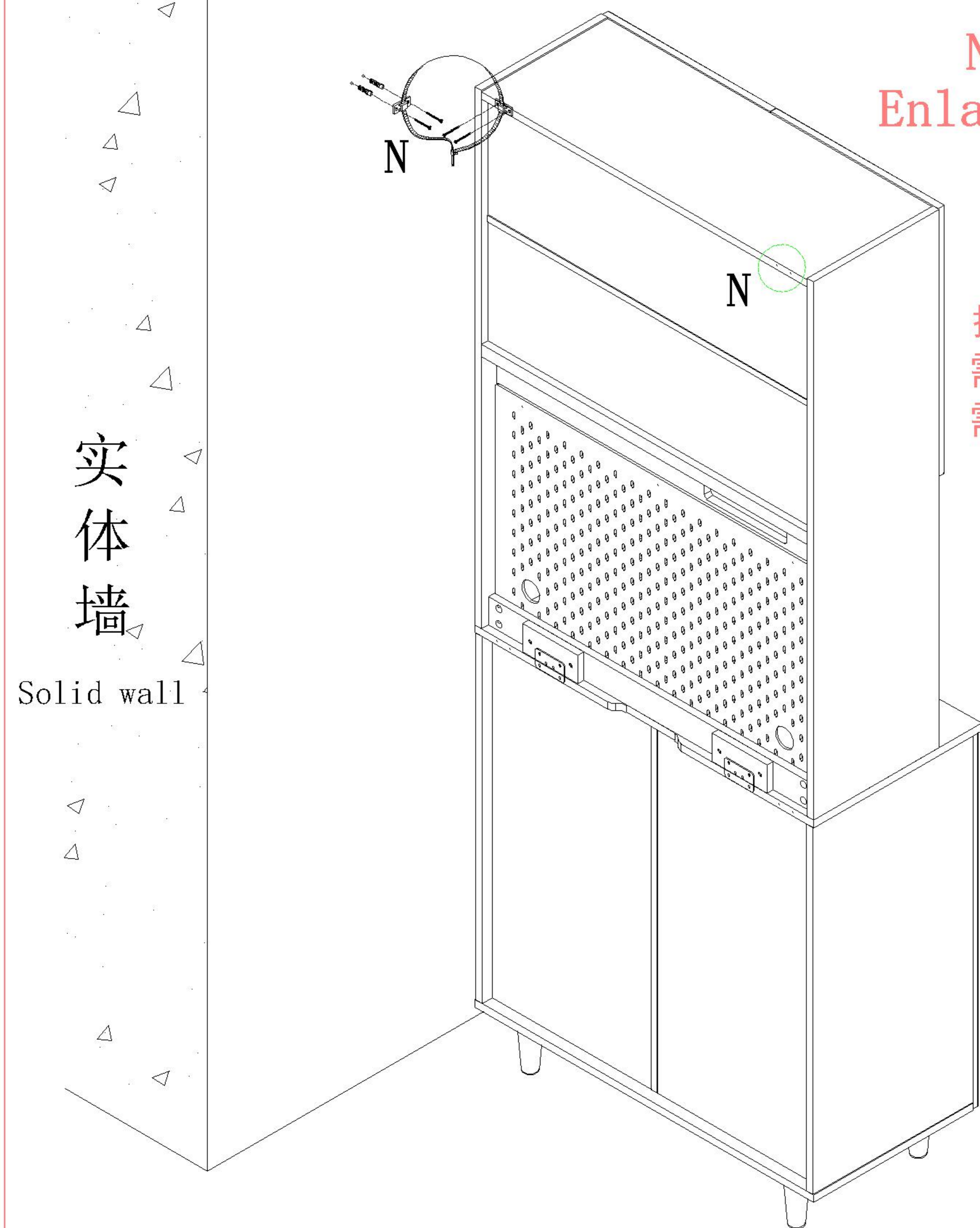
Installation diagram with TE1T-A (glass style)

10

(N)*2



N处放大图
Enlarged drawing



搭配TE1T-A组合使用时上柜
需安装两套防倒器，下柜无
需安装防倒器（其中一套防
倒器在TE1T-A五金包内）

When used in combination
with TE1T-A, two sets of
anti fall protectors need
to be installed on the
upper cabinet, and no anti
fall protectors need to be
installed on the lower
cabinet (one set of anti
fall protectors is
included in the TE1T-A
hardware package)

▲ 安装完成
Installation is complete

