

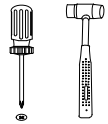
LINSY 林氏家居

五金表/Hardware list

部件表/Parts List

安装示意图/Assembly Instruction

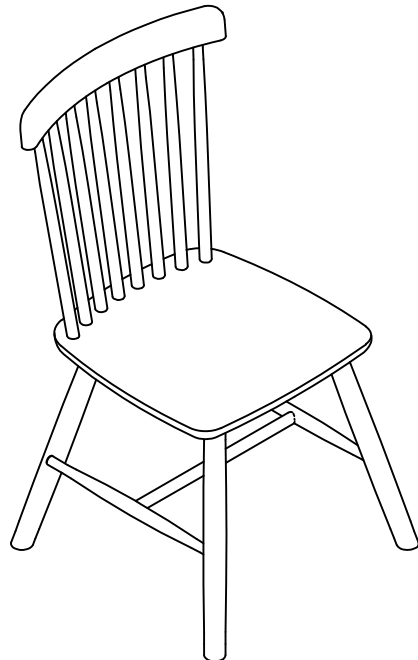
产品名称 Model No.	LS189S1-D
产品规格 Specification	485*525*870
安装工具 Tool	安装人数 Installer



 (A) *4 16带牙胶脚钉 Rubber foot nail	 (B) *3 透明硅胶垫 Transparent silicone pad
---	---

编号 NO.	名称 Name	规格 Specification	数量 QTY	材质 Material
①	整装餐椅 Packaged dining chair	485*525*870	1	橡胶木 Rubber wood

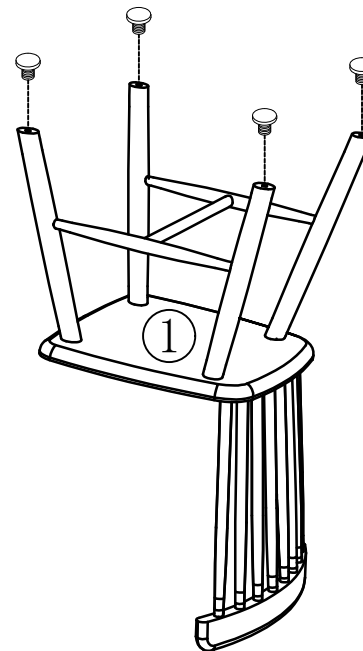
安装方法/Installation method



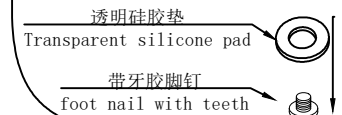
(A)*4



(B)*3



透明硅胶垫用于脚柱高低不平时，套于带牙胶脚钉上安装于矮的脚柱上
The transparent silicone pad is used for the uneven height of the foot post, which is covered on the foot nail with dental glue and installed on the low foot post



1