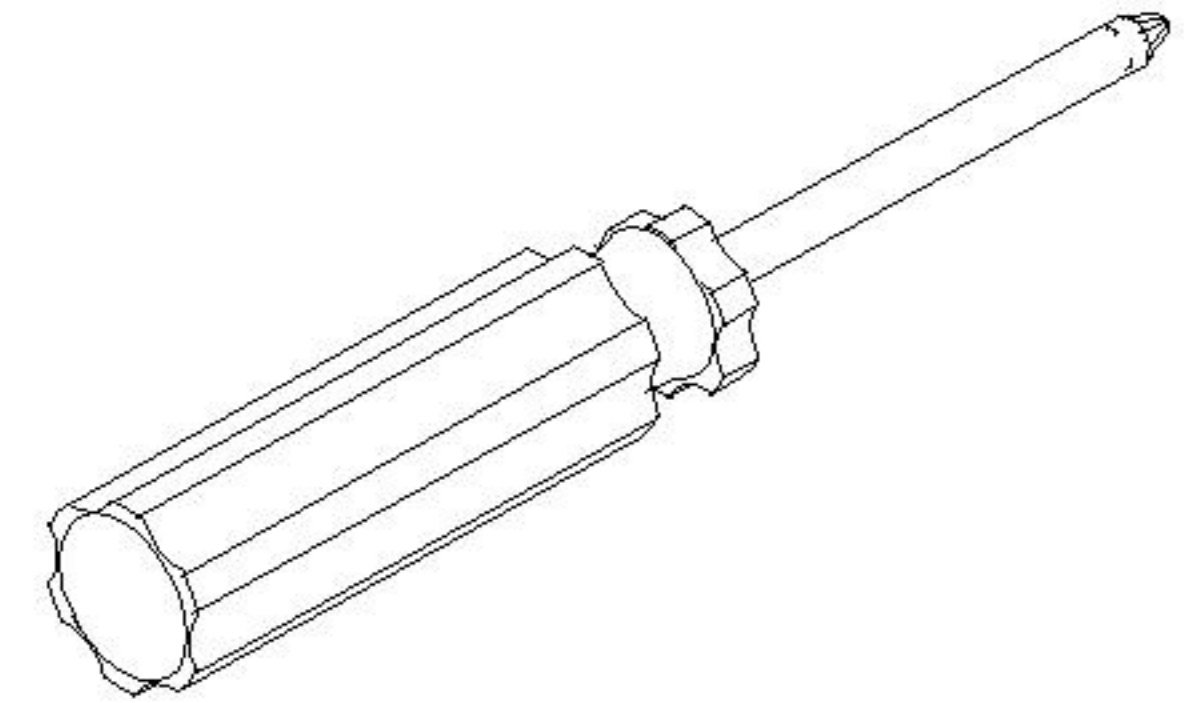
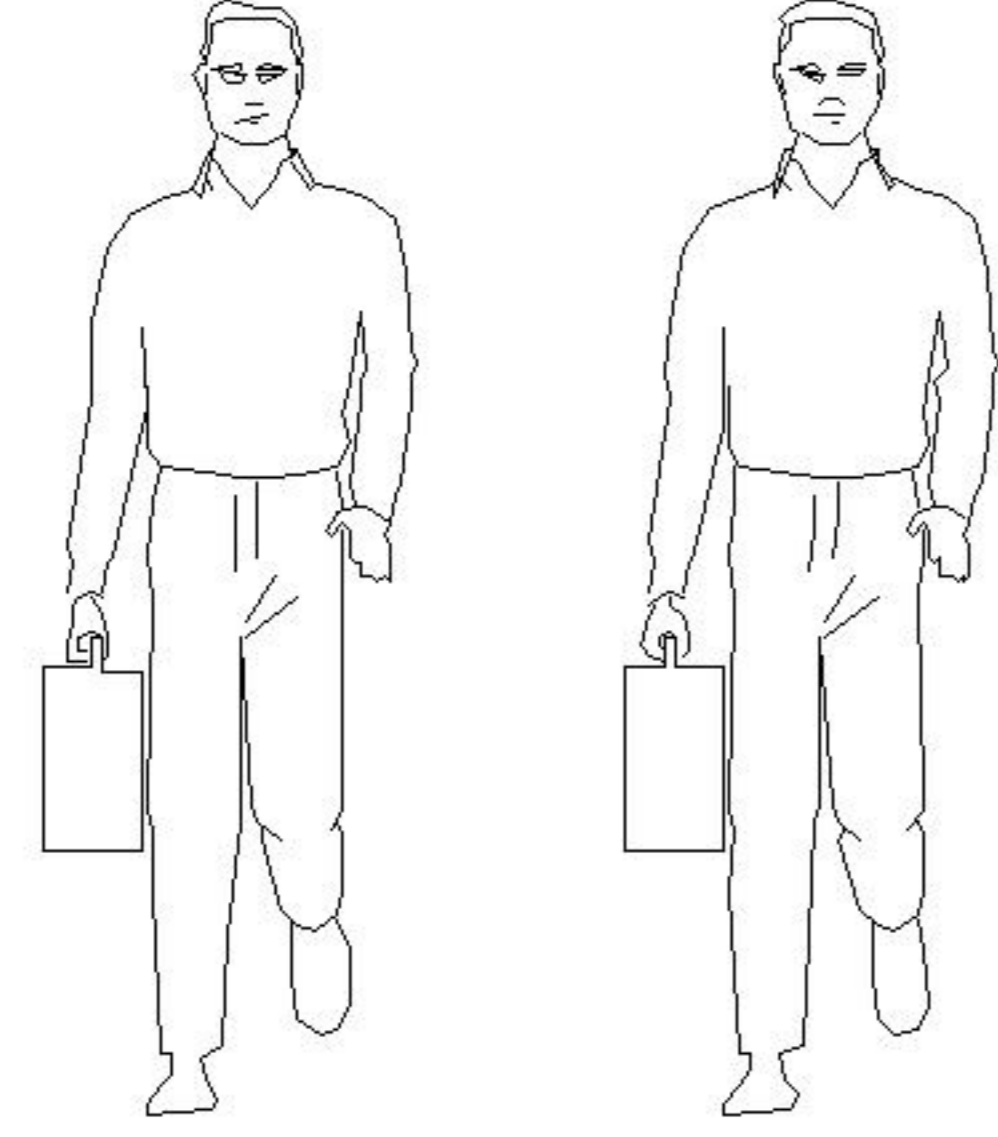


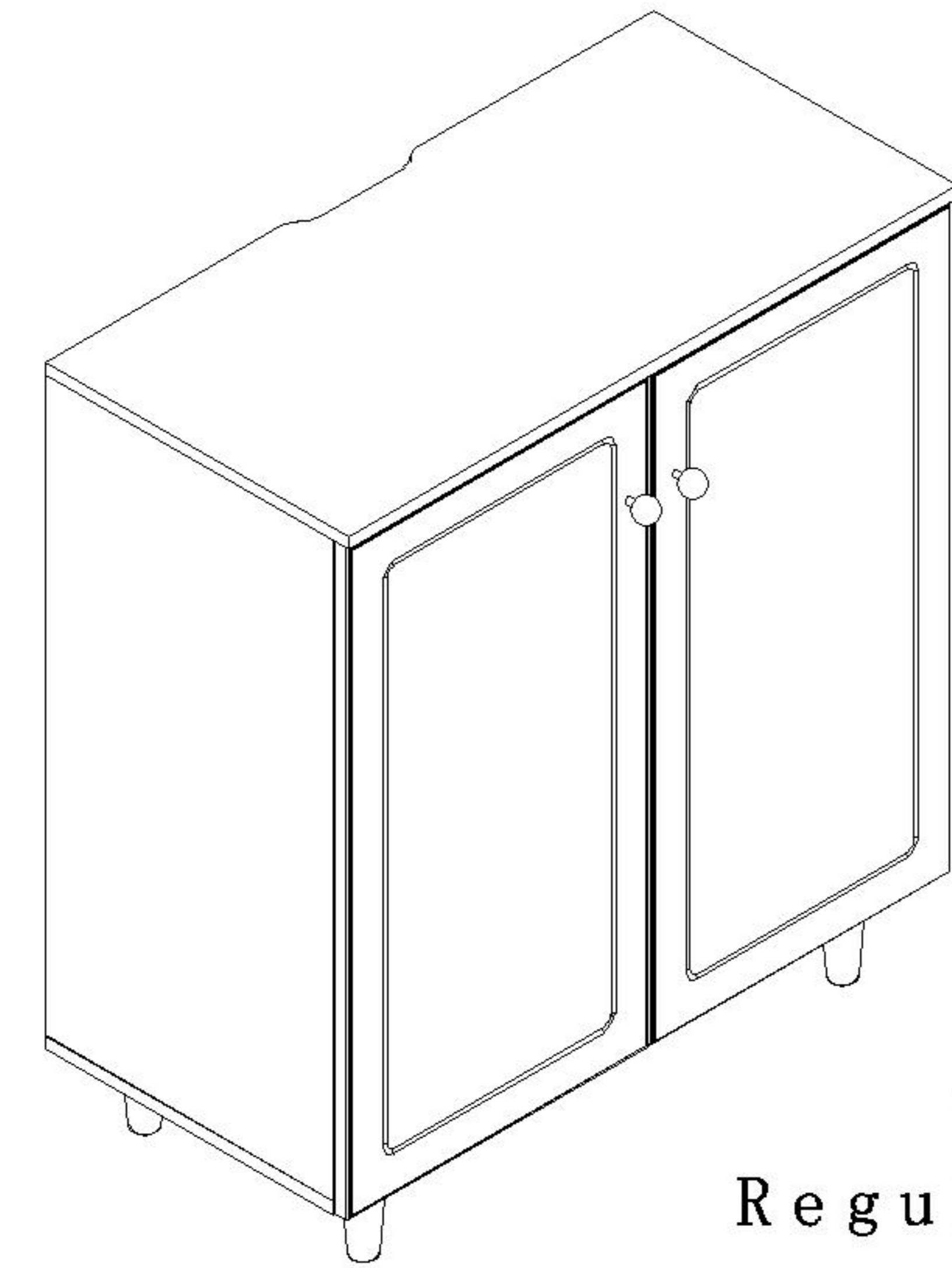
LINSY 林氏家居

五金表/Hardware list

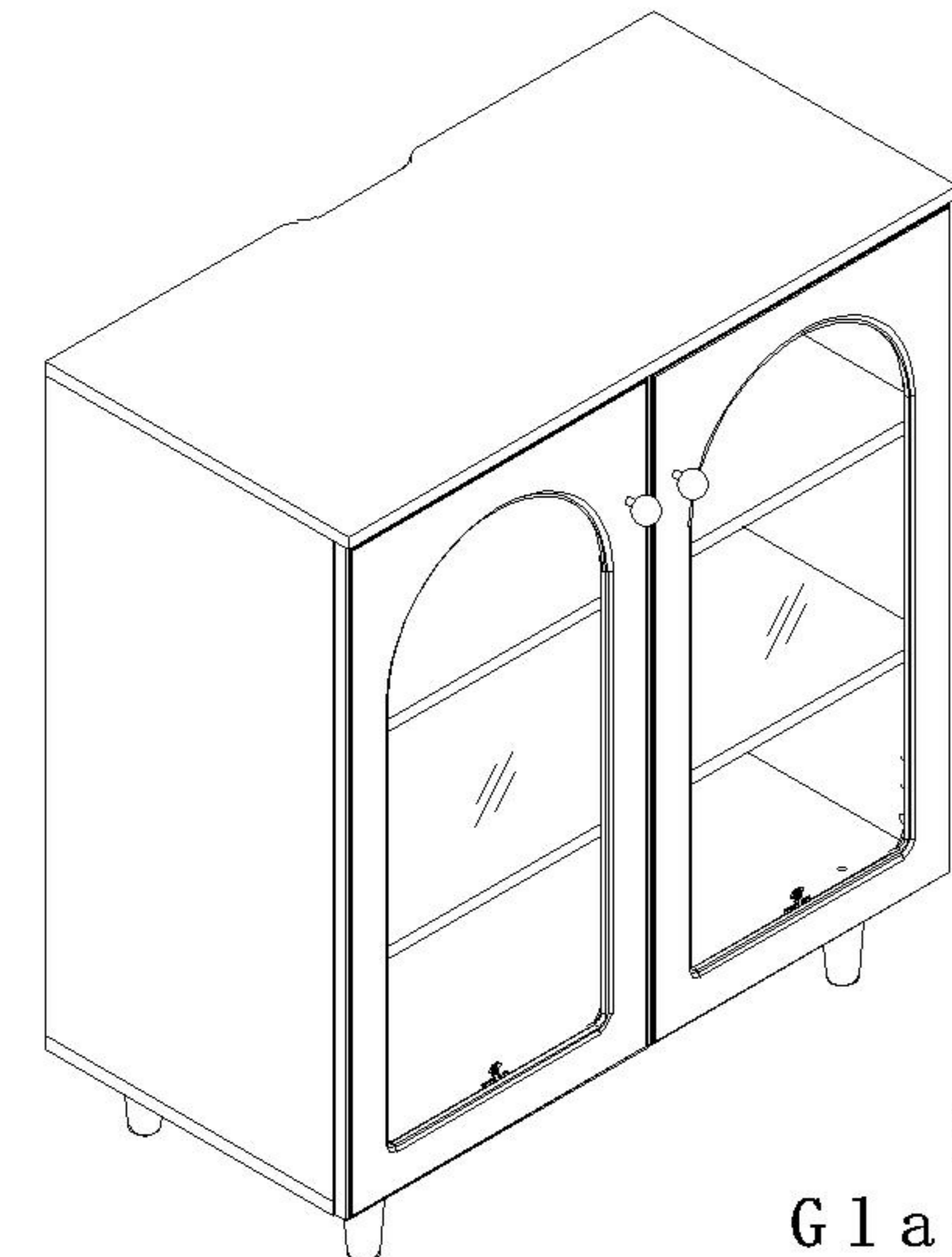
部件表/Parts List

安装示意图/Assembly Instruction

产品名称 Model NO.	TE1T-A
产品规格 Specification	800*424.5*897 mm
安装工具 Tool	安装人数 Installer
	



常规款
Regular style



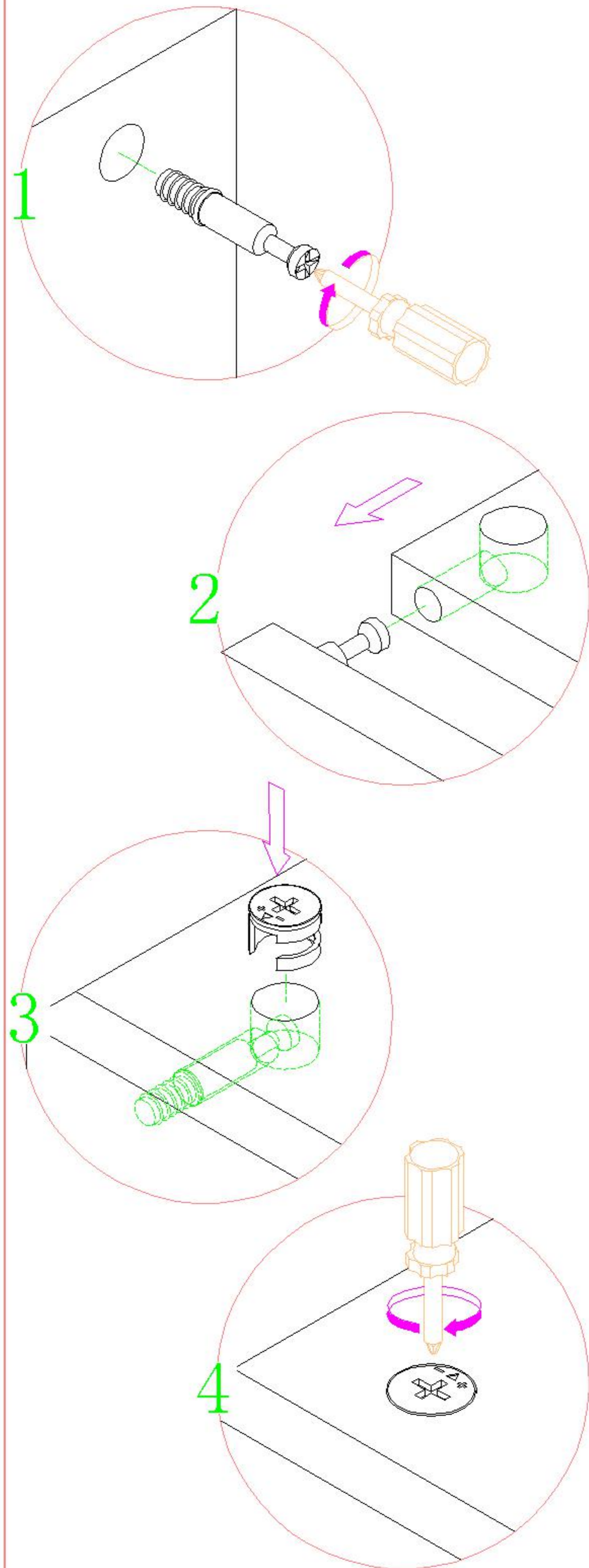
玻璃款
Glass style

 (A)* 8 大三合一锁饼 Three-in-one large lock	 (B)* 8 二合一螺杆 2-in-1-screw	 (C)* 8 木榫Ø8x30mm wood tenon	 (D)* 8 层板托 shelf support
 (E)* 4 斜边十字螺杆-M8x30 bevel cross screw	 (F)* 4 9厘透明防滑PVC脚垫 Rubber stopper	 (G)* 4 缓冲门铰直弯-杯径Ø35 Hinge straight bending diameter 35	 (H)* 2 金色圆拉手 Gold round handle
 (I)* 2 拉手螺丝-M4x22mm pulling screw	 (J)* 8 背板扣 Back Plate Buckle-White	 (K)* 8 自攻螺丝M3.5x16mm Self-tapping screw	 (L)* 1 夹板条 Splint strip
 (M)* 1 家具防倒器-白色 Anti-fall device white			

编号NO.	名称Name	规格 (mm) Specification	数量QTY	材质Material
①	面板 Top panel	800*398*15	1	三胺板Melamine
②	左侧板 Side board(L)	752*378*15	1	三胺板Melamine
③	右侧板 Side board(R)	752*378*15	1	三胺板Melamine
④	底板 Bottom board	800*378*15	1	三胺板Melamine
⑤	活动层板 Movable shelf	767*346*15	2	三胺板Melamine
⑥	背板 Back board	762*388*5	2	三胺板Melamine
⑦	脚 Foot	110*46*46	4	实木 Wood
⑧	左门板 Left door board	766*397*18	1	吸塑板 Blister board
⑨	右门板 Right door board	766*397*18	1	吸塑板 Blister board
⑩	左门板组立 Door board assembly(L)	766*397*18	1	吸塑板+钢化玻璃 Blister board+Glass
⑪	右门板组立 Door board assembly(R)	766*397*18	1	吸塑板+钢化玻璃 Blister board+Glass

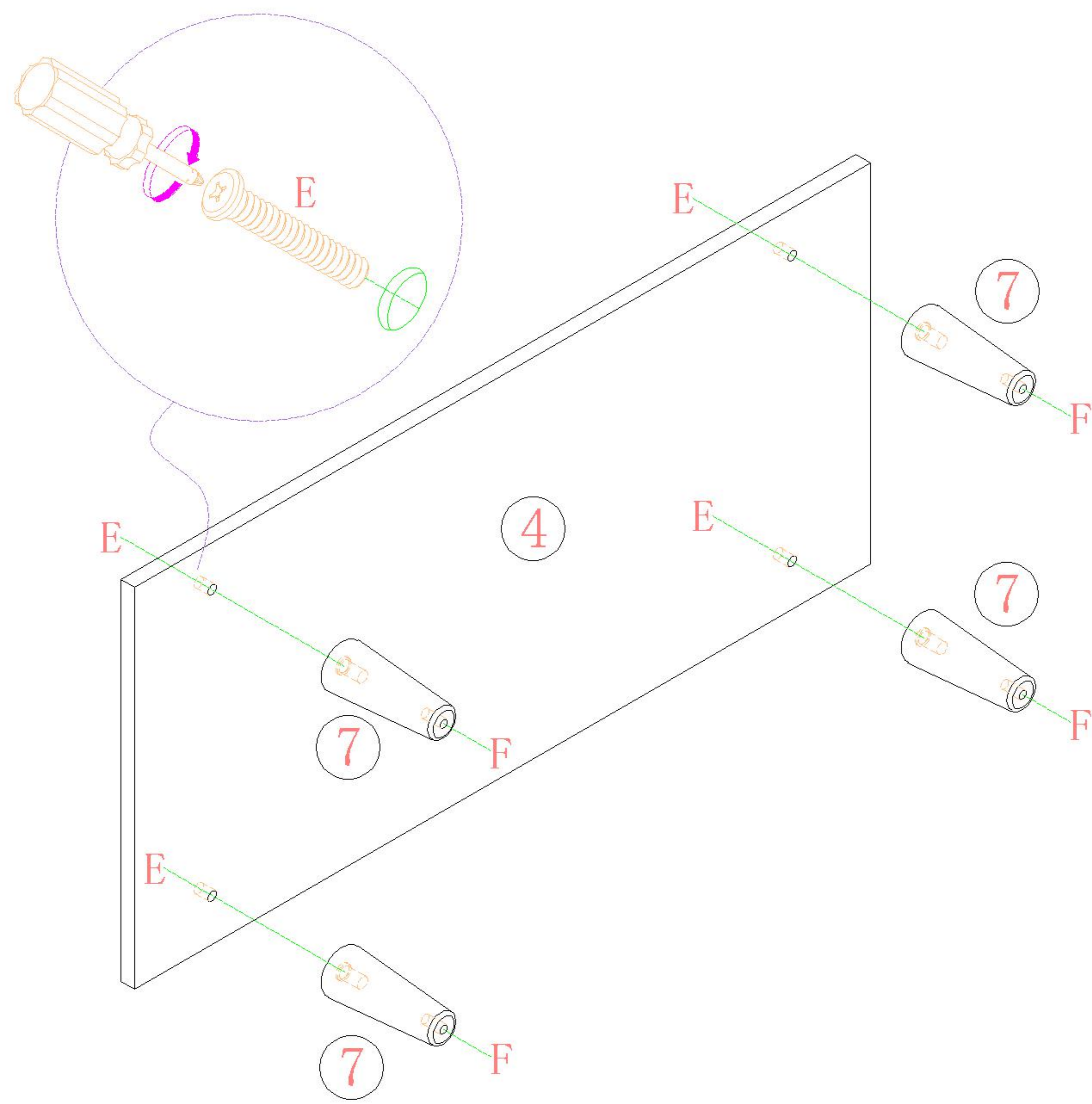
TE1T-A

安装方法/
Installation method



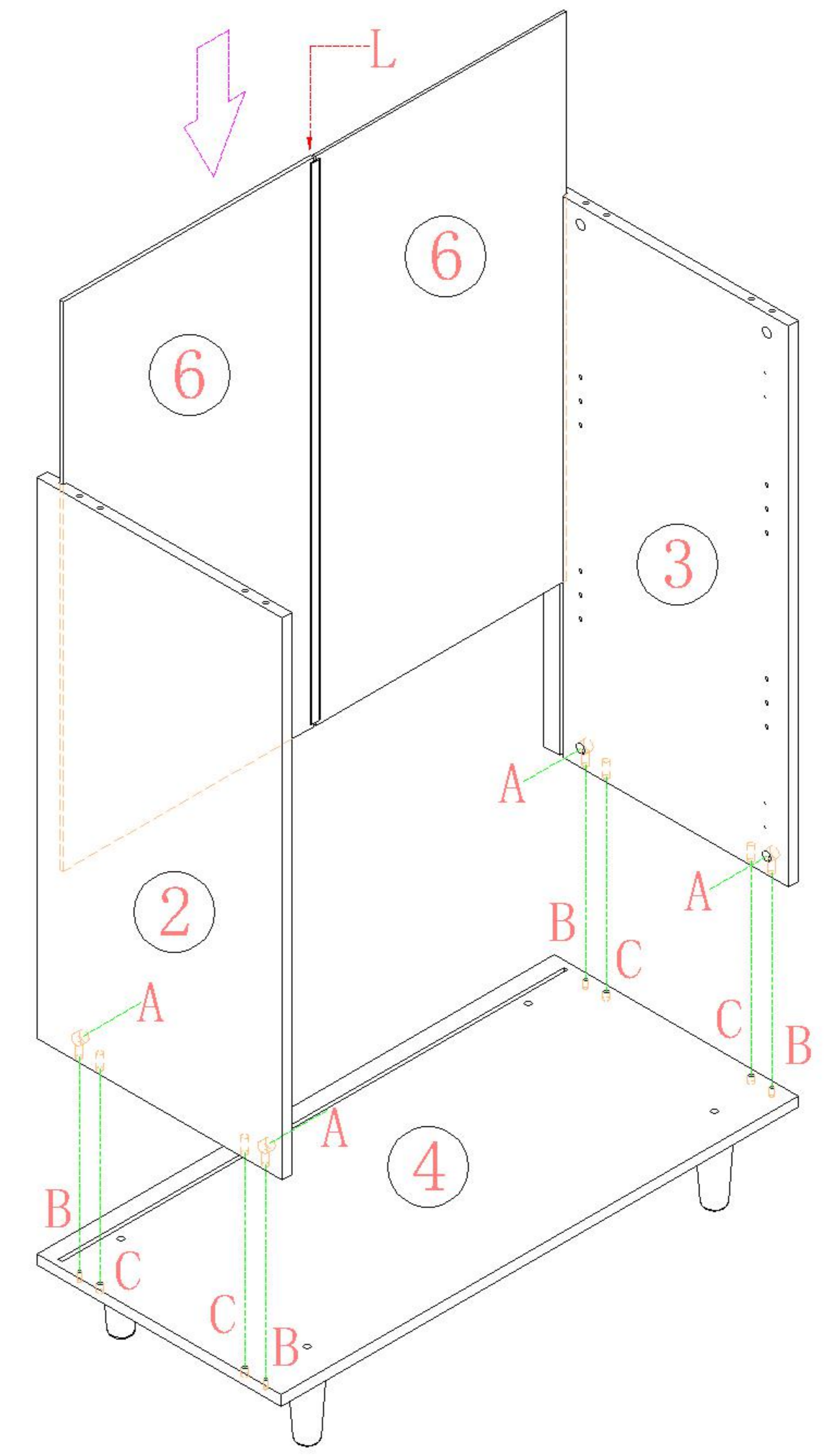
大二合一
two-in-one

- (E)*4
- (F)*4



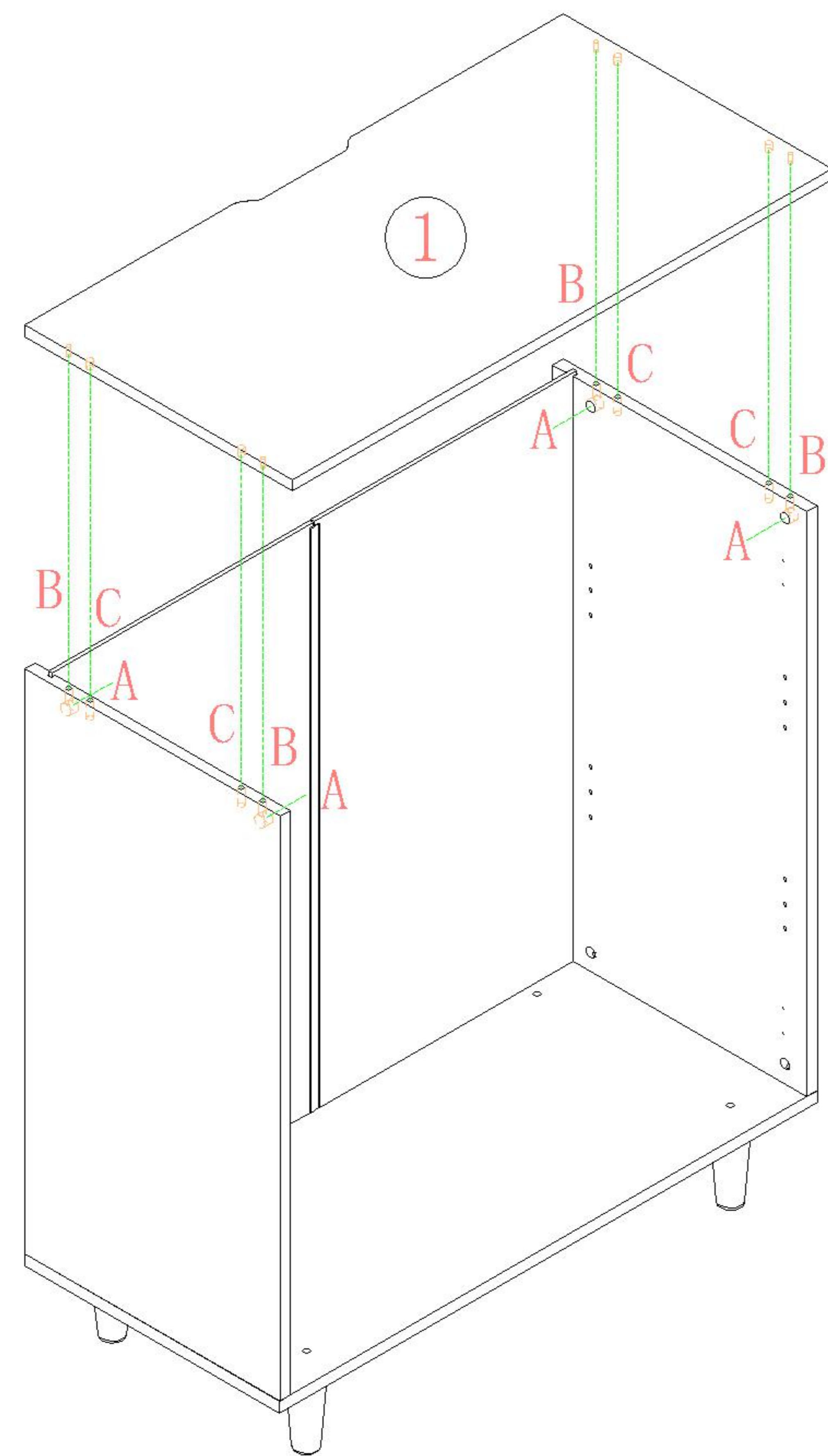
1

- (A)*4
- (B)*4
- (C)*4
- (L)*1



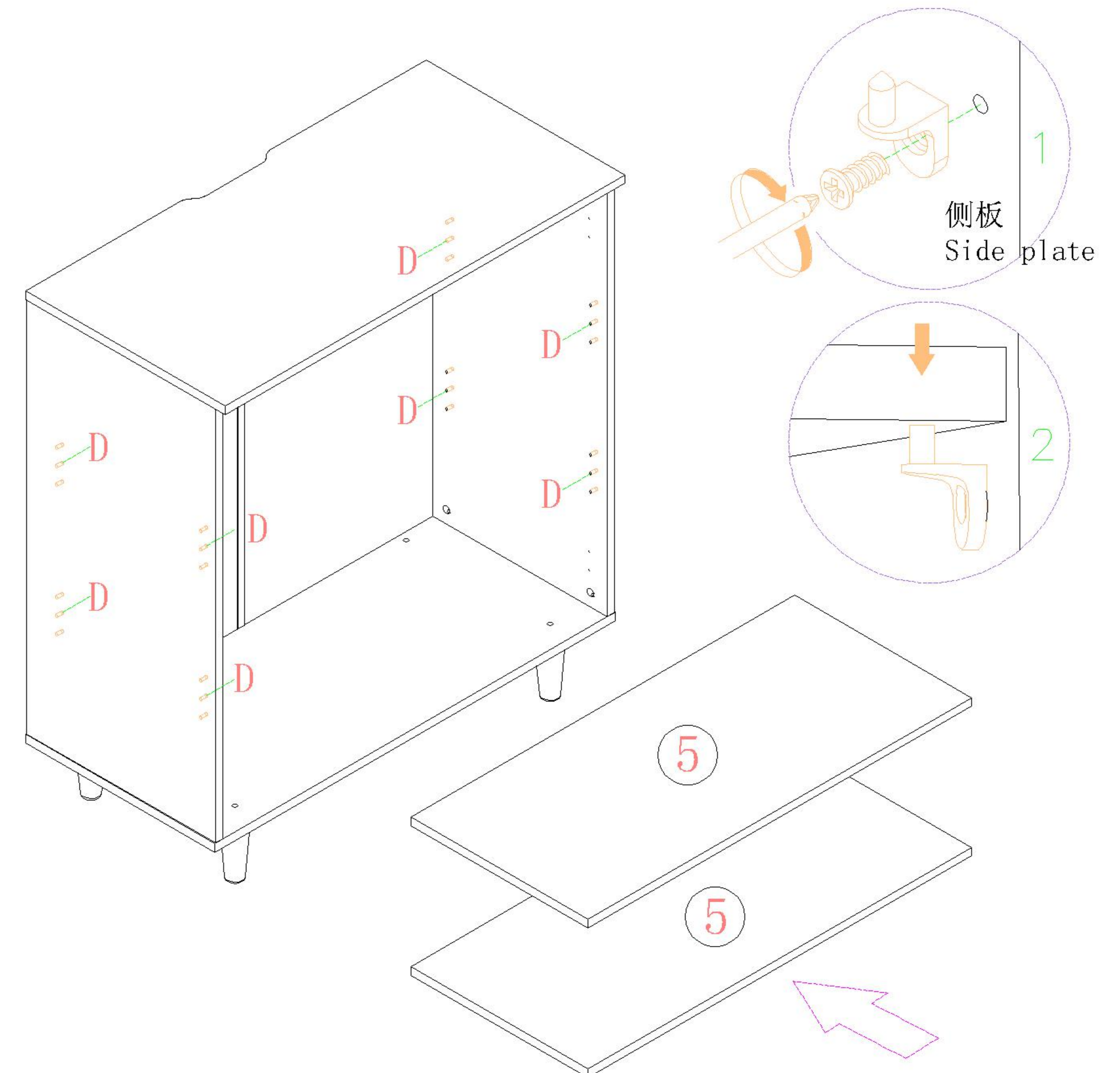
2

- (A)*4
- (B)*4
- (C)*4



3

- (D)*8

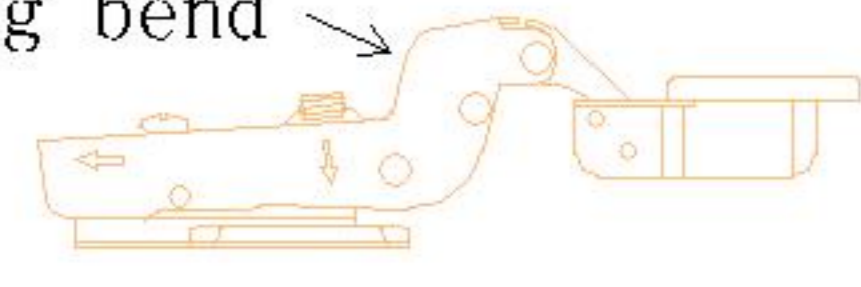


4

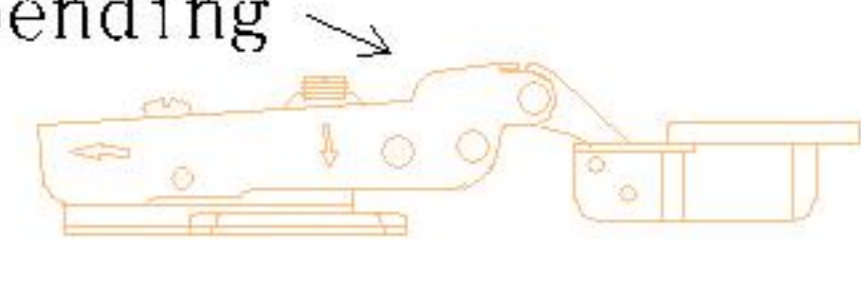
TE1T-A

安装方法/
Installation method

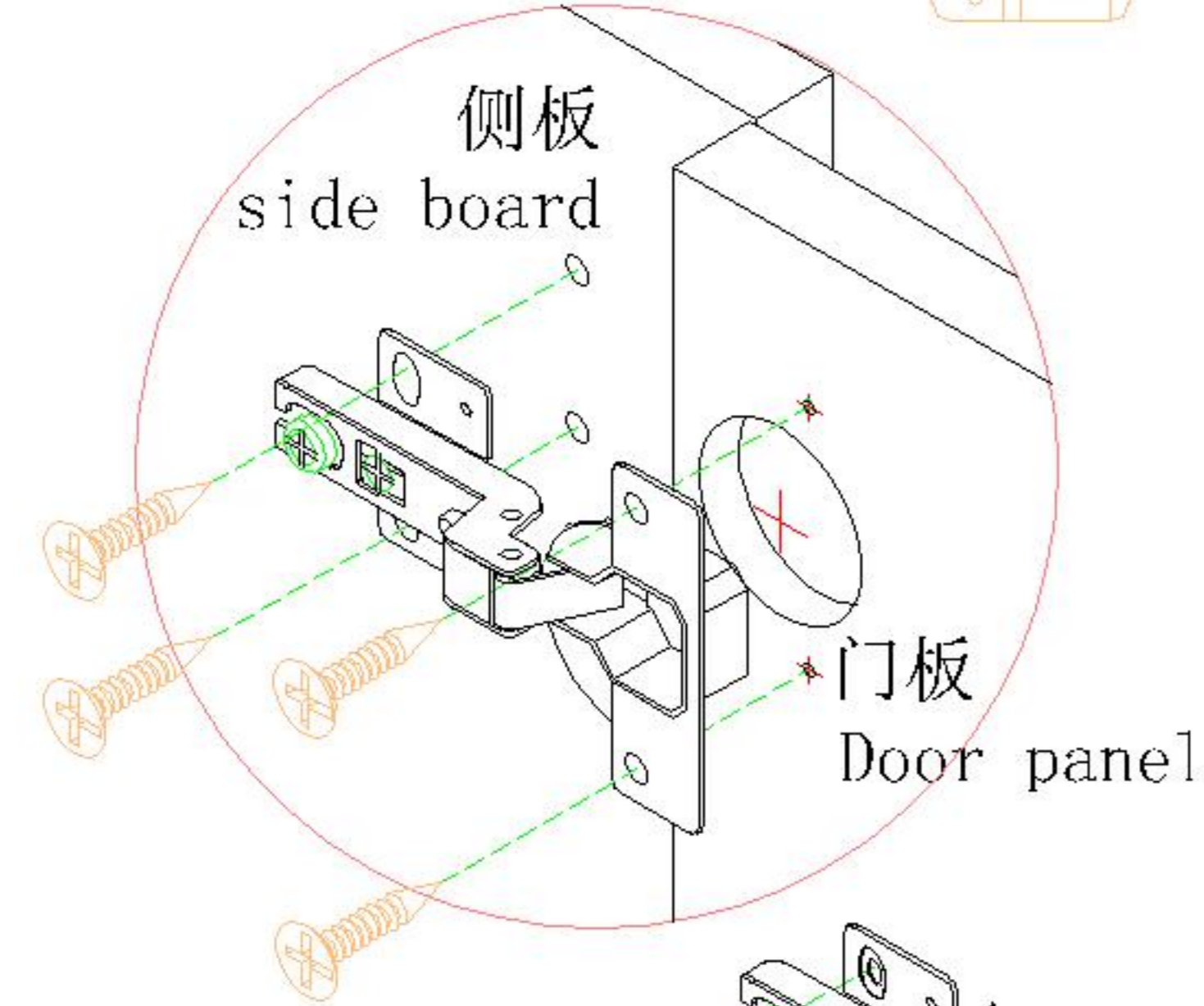
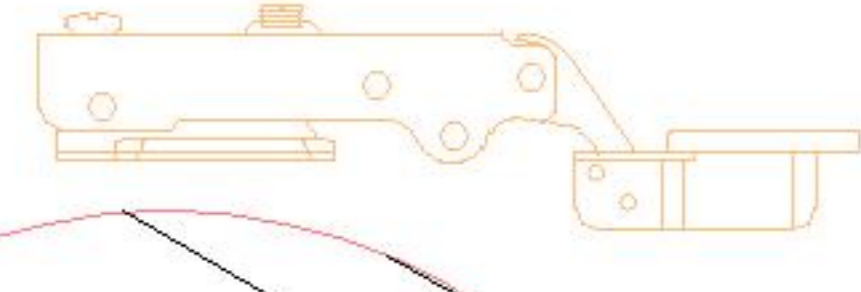
大弯big bend



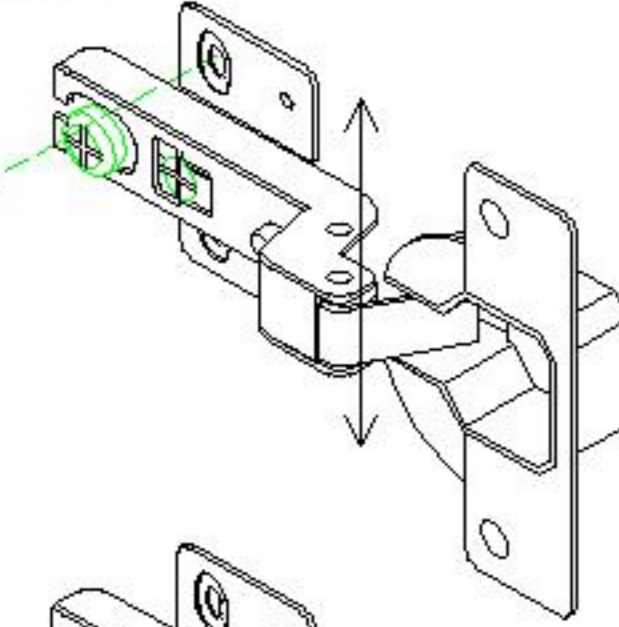
中弯middle bending



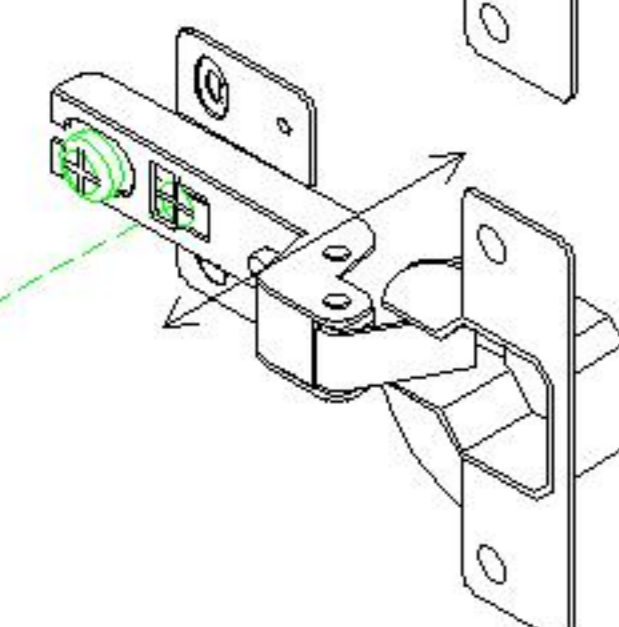
直弯straight bending



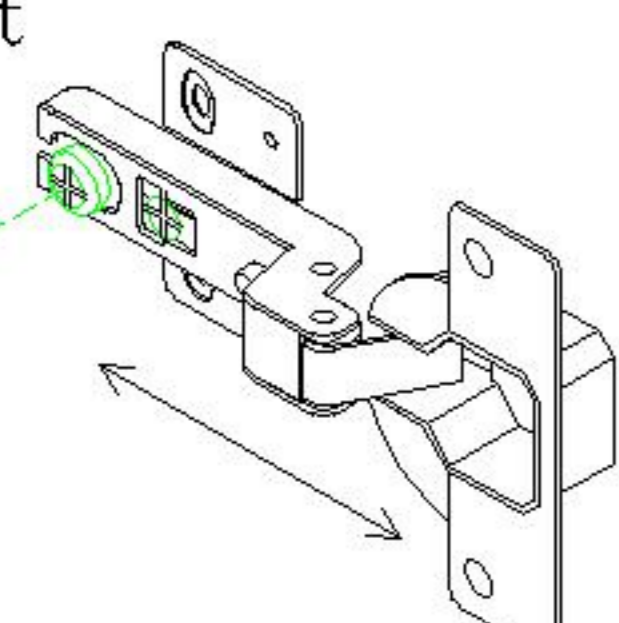
调节上下
Adjust up and down



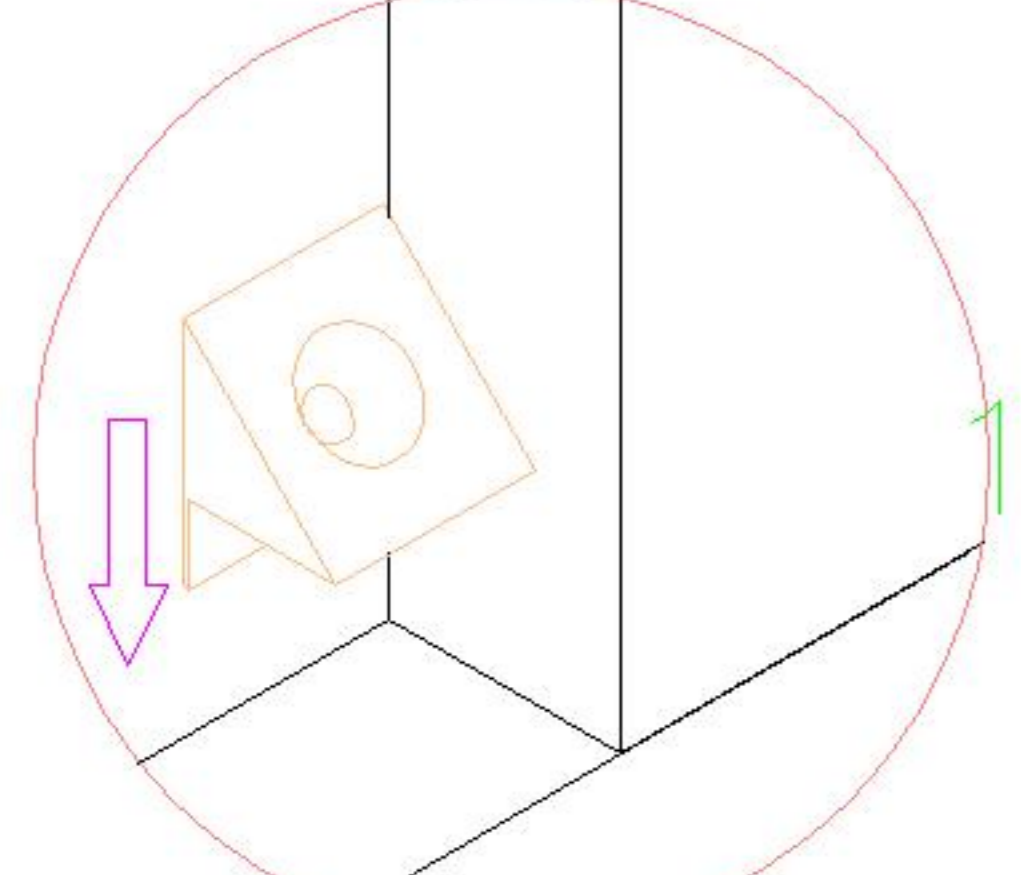
调节左右
Adjust left and right



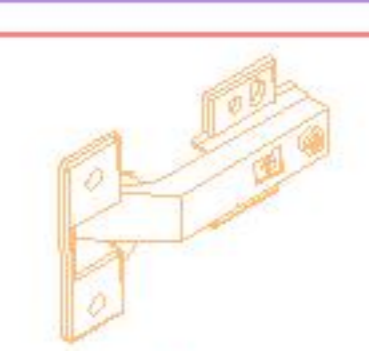
调节前后
Before and after adjustment



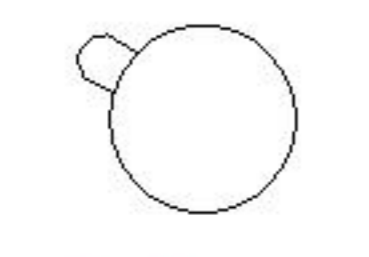
门铰
Hinge



背板扣
Back Plate Buckle-White



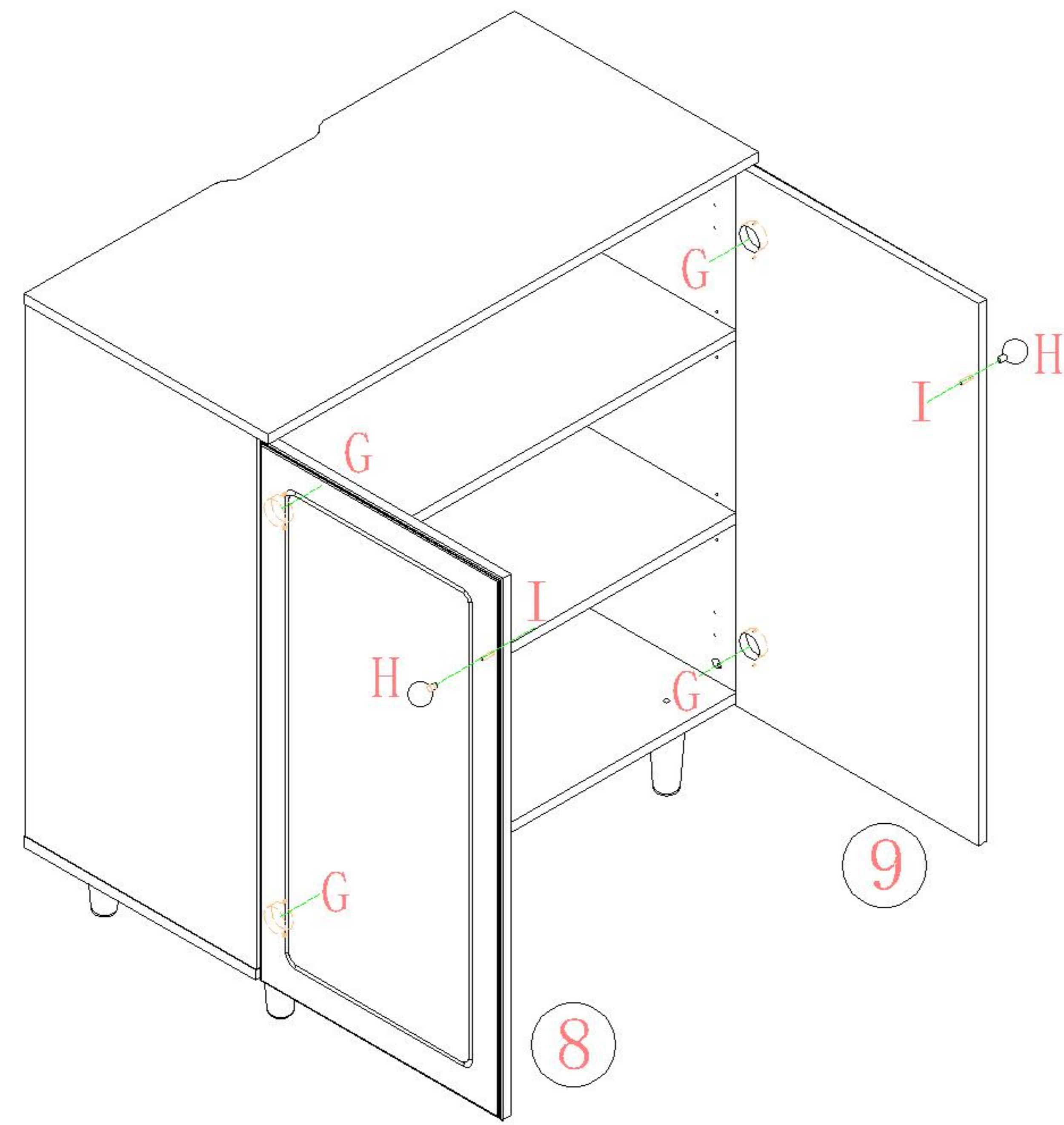
(G)*4



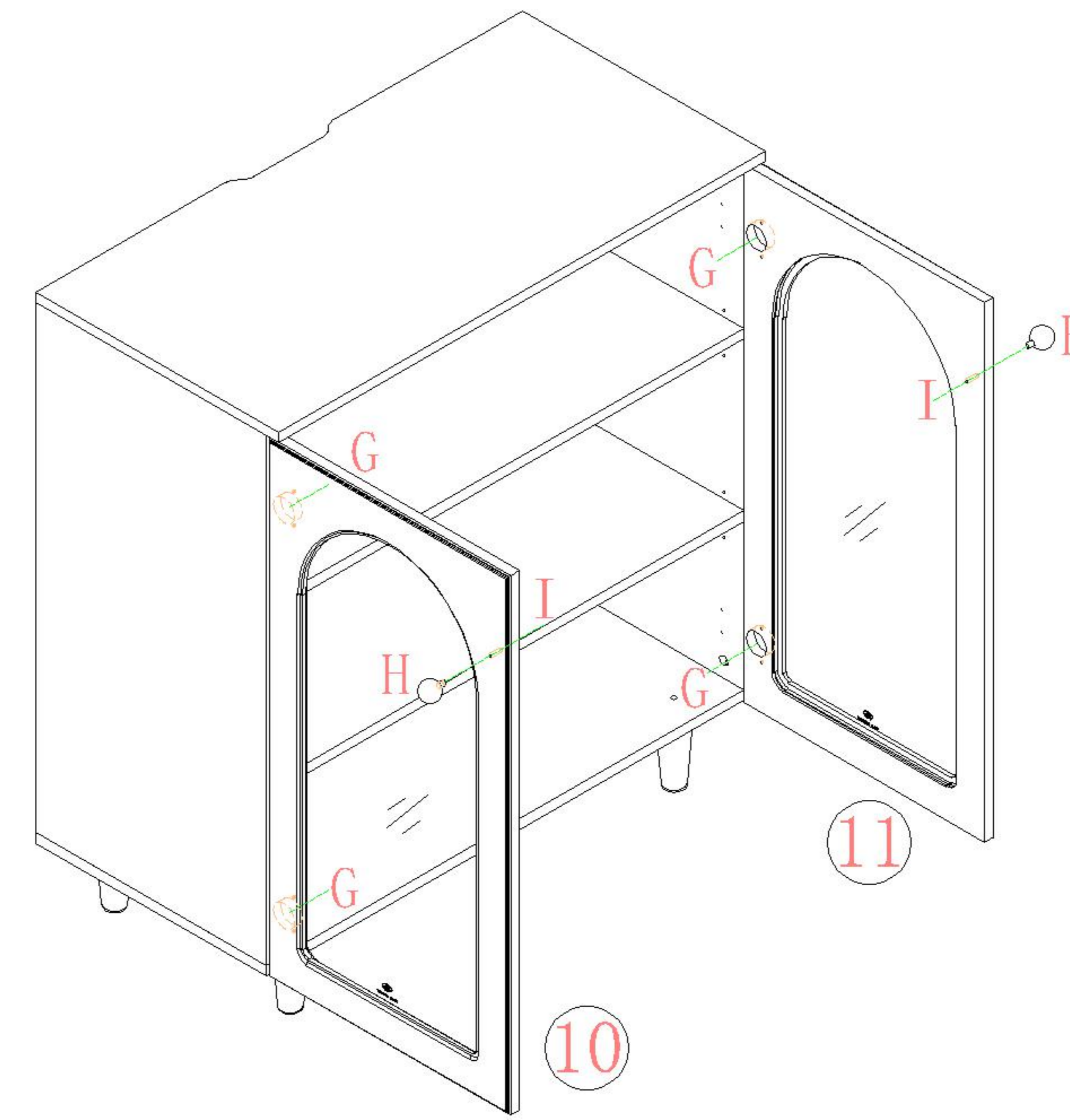
(H)*2



(I)*2

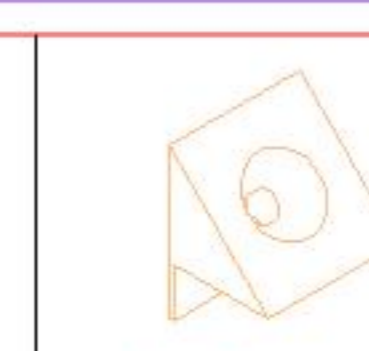


▲ 常规款安装示意图
Installation diagram of conventional style

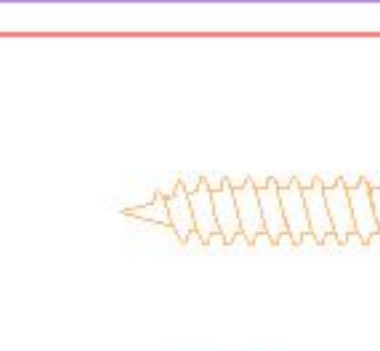


▲ 玻璃款安装示意图
Installation diagram of glass style

5

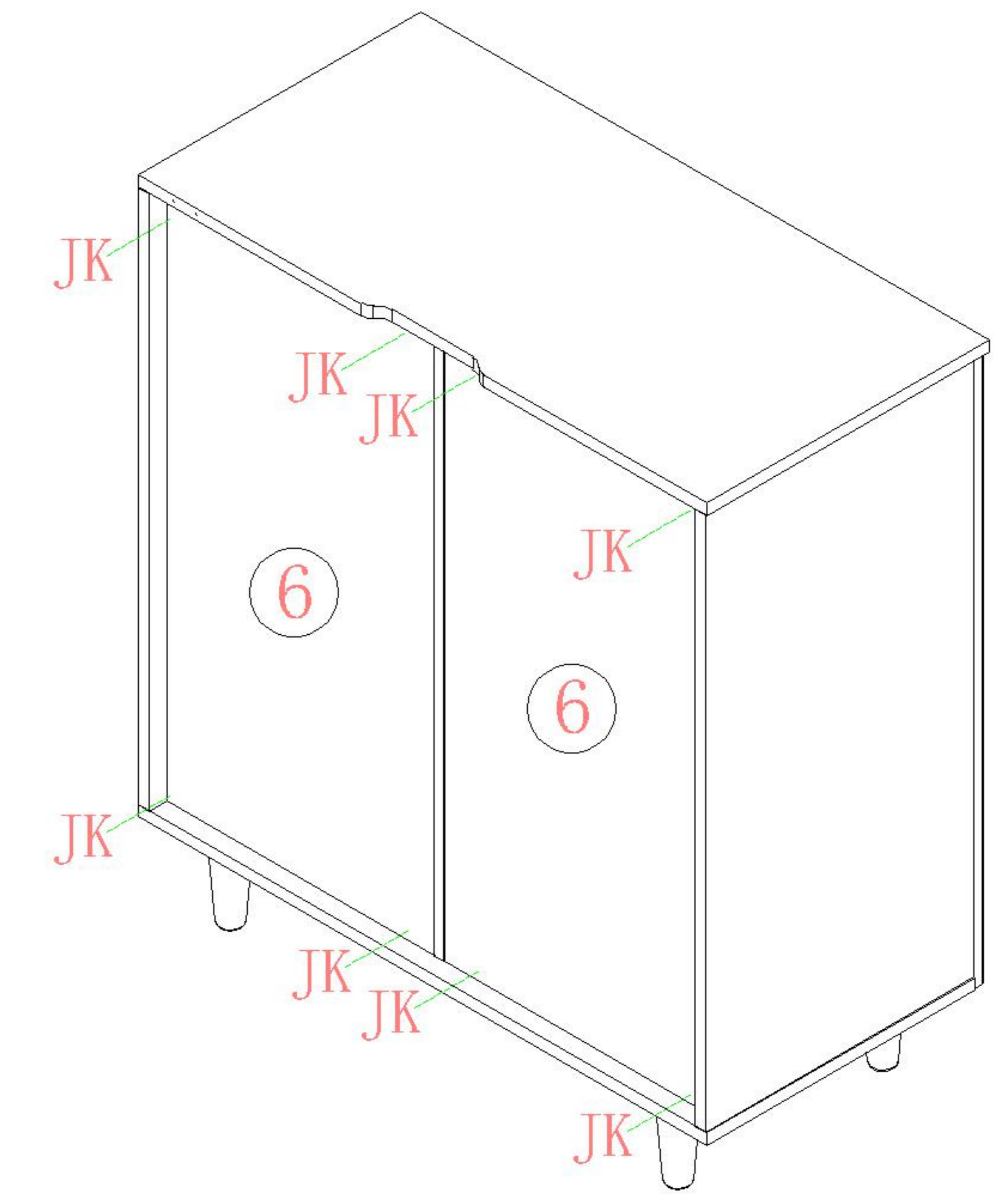


(J)*8

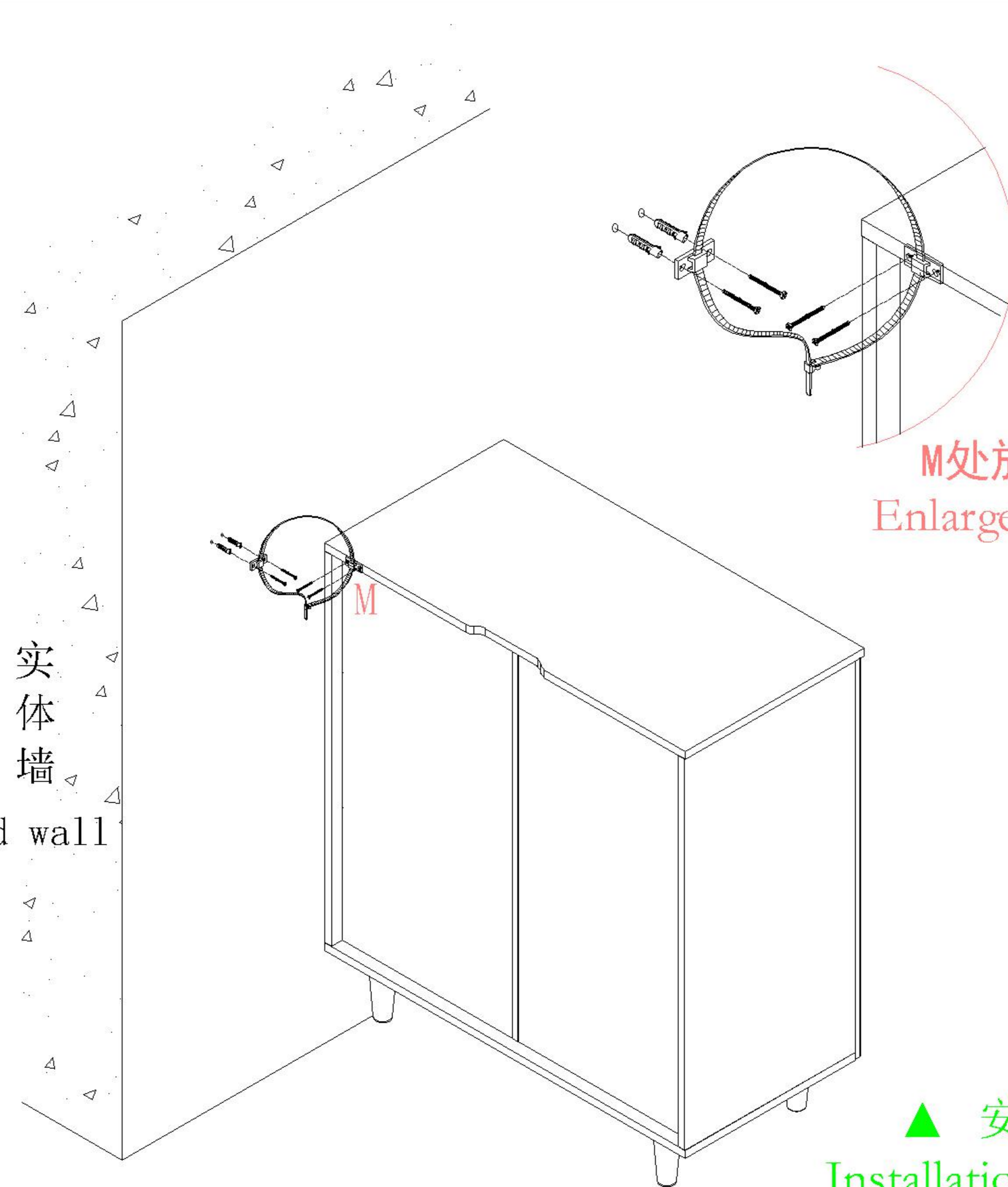


(K)*8

6



(M)*1



M处放大图
Enlarged drawing

▲ 安装完成
Installation is complete

7

8

