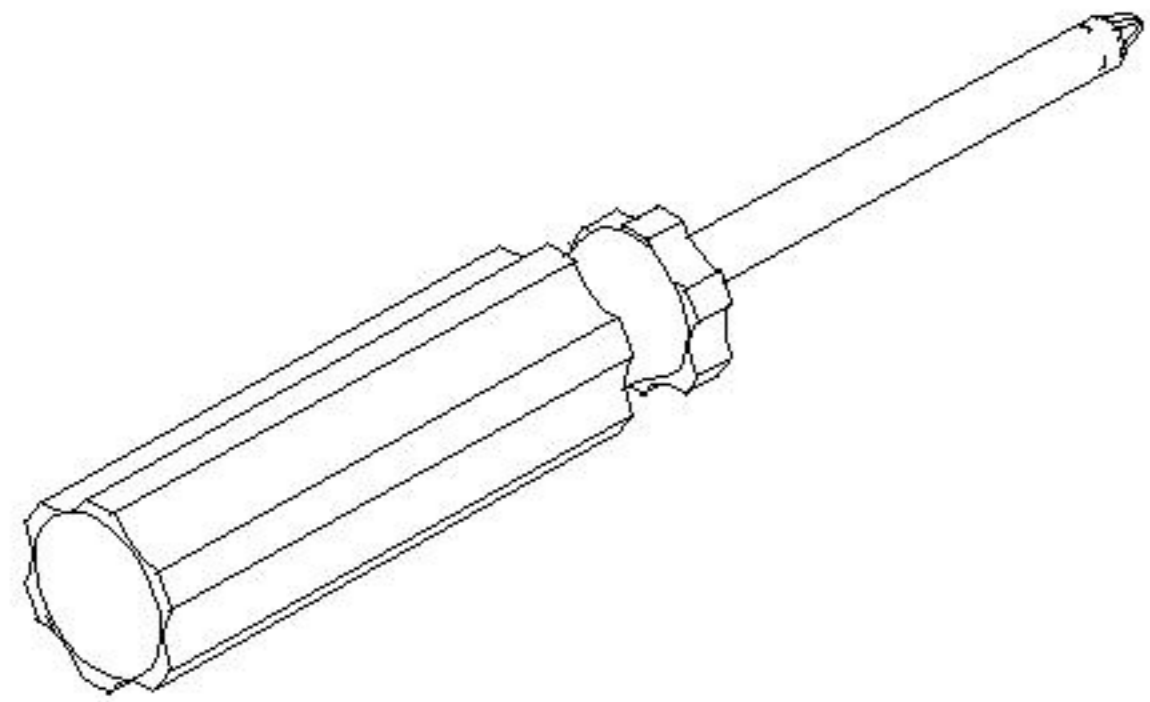
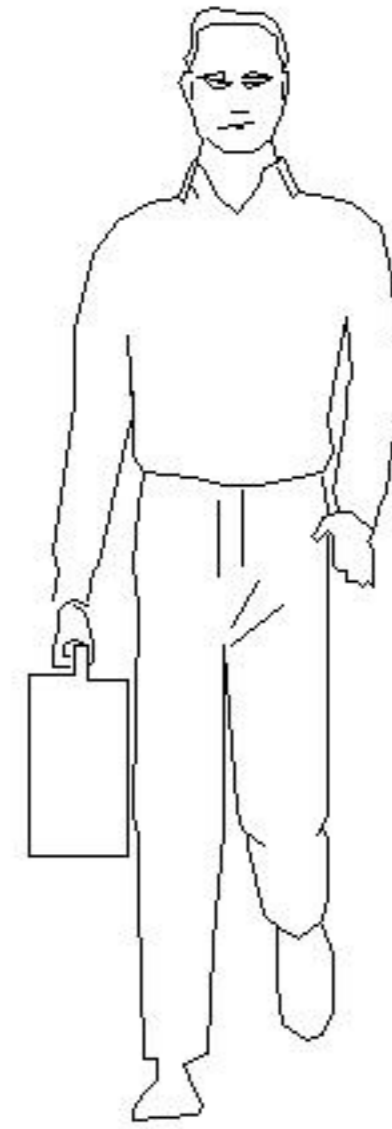
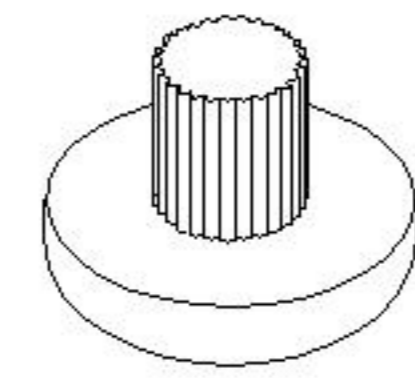
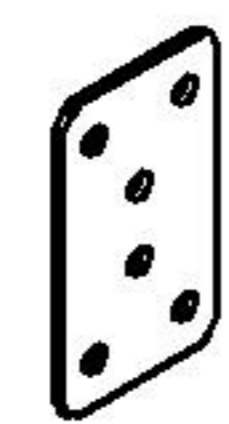
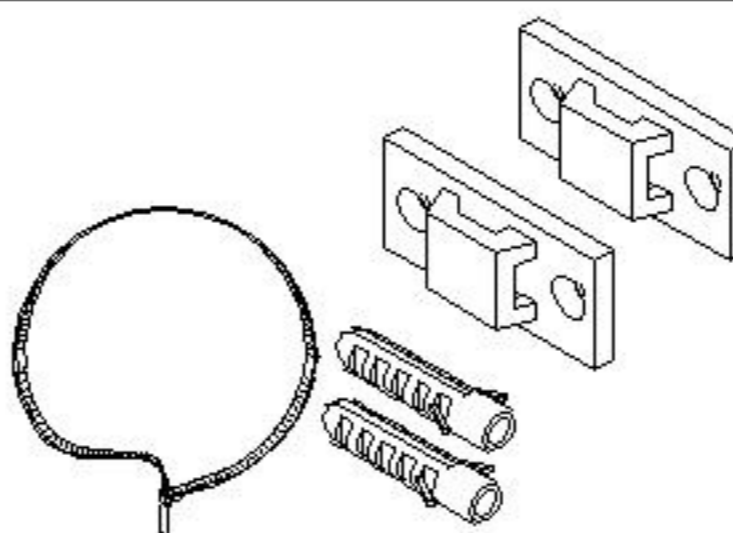
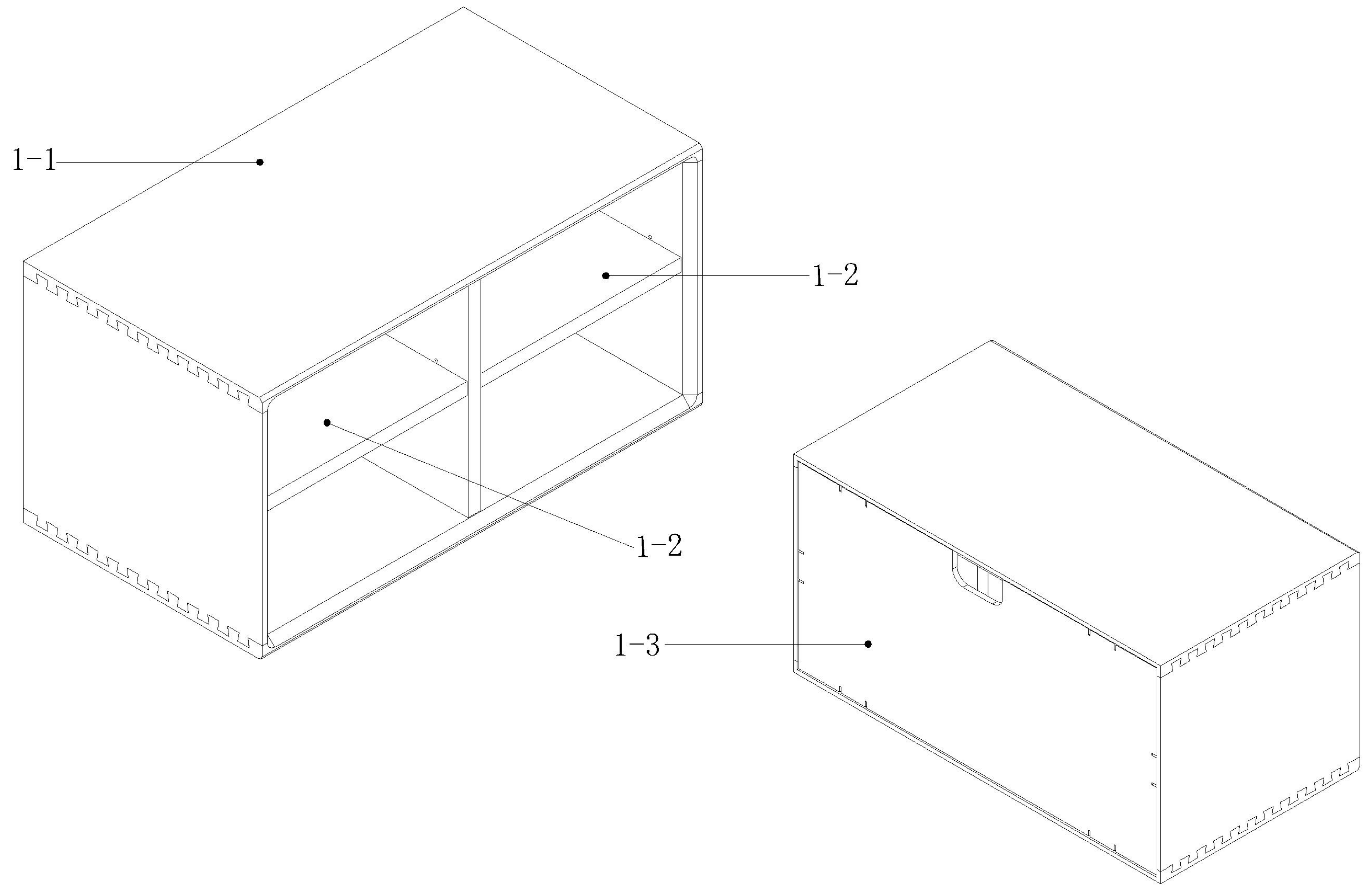
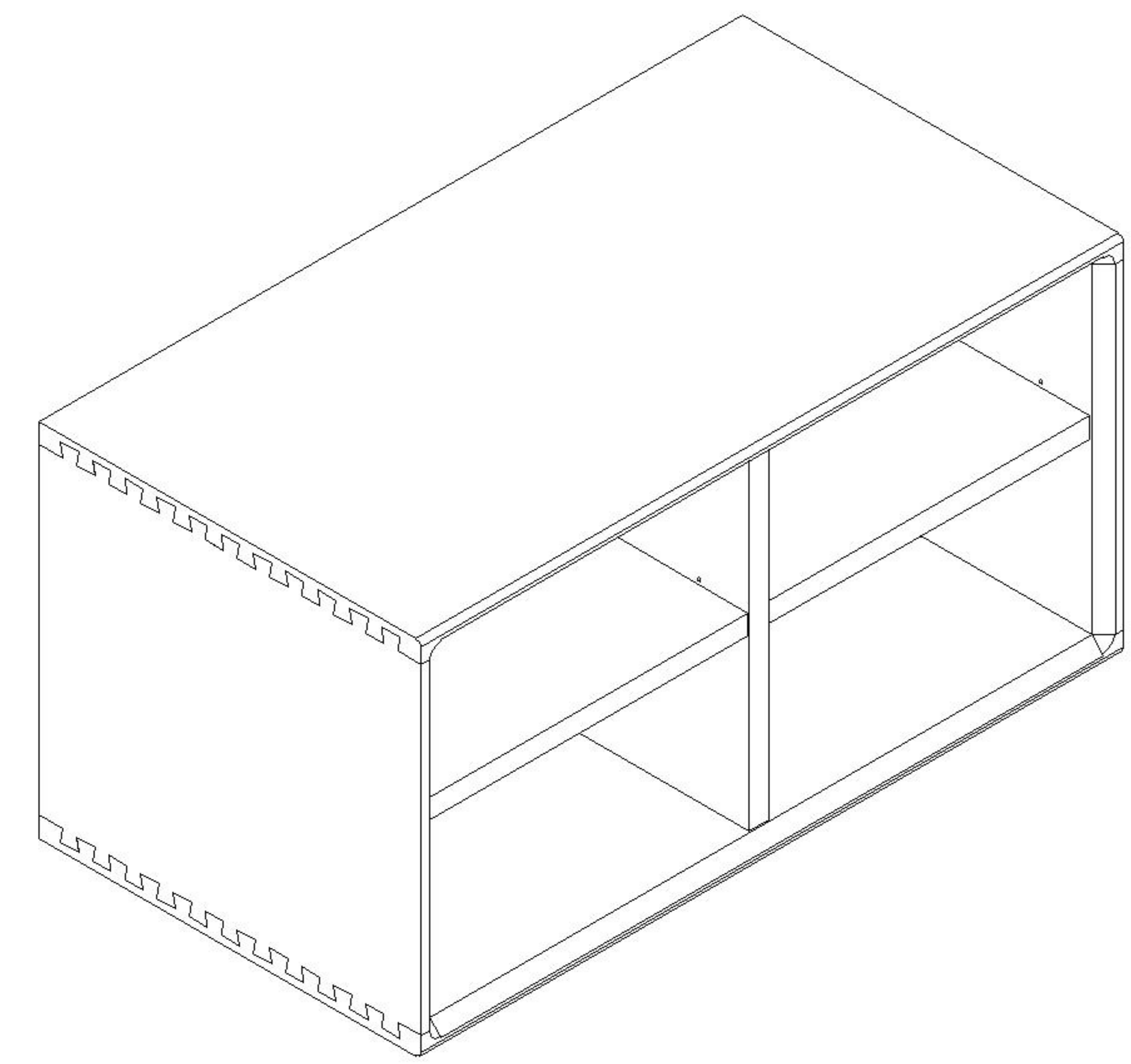


安装示意图/Assembly Instruction

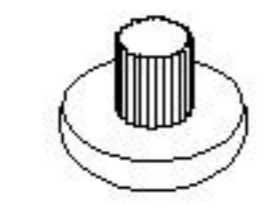
产品名称 Model NO.	C01M-A
产品规格 Specification	700*380*366mm
安装工具 Tool	安装人数 Installer
	

		
(A)* 4	(B)* 2	(C)* 1
脚钉 Foot nails	铁床条 Hardware piece	防倒器 Anti-fall device

编号NO.	名称Name	规格 (mm) Specification	数量QTY	材质Material
①	整装柜子 Packaged cabinet	700*380*360	1	实木 Wood
1-1	上柜 Upper cabinet	700*380*360	1	实木 Wood
1-2	层板 Shelf	319*354*20	2	实木 Wood
1-3	背板 Back board	684*342*9	1	实木 Wood

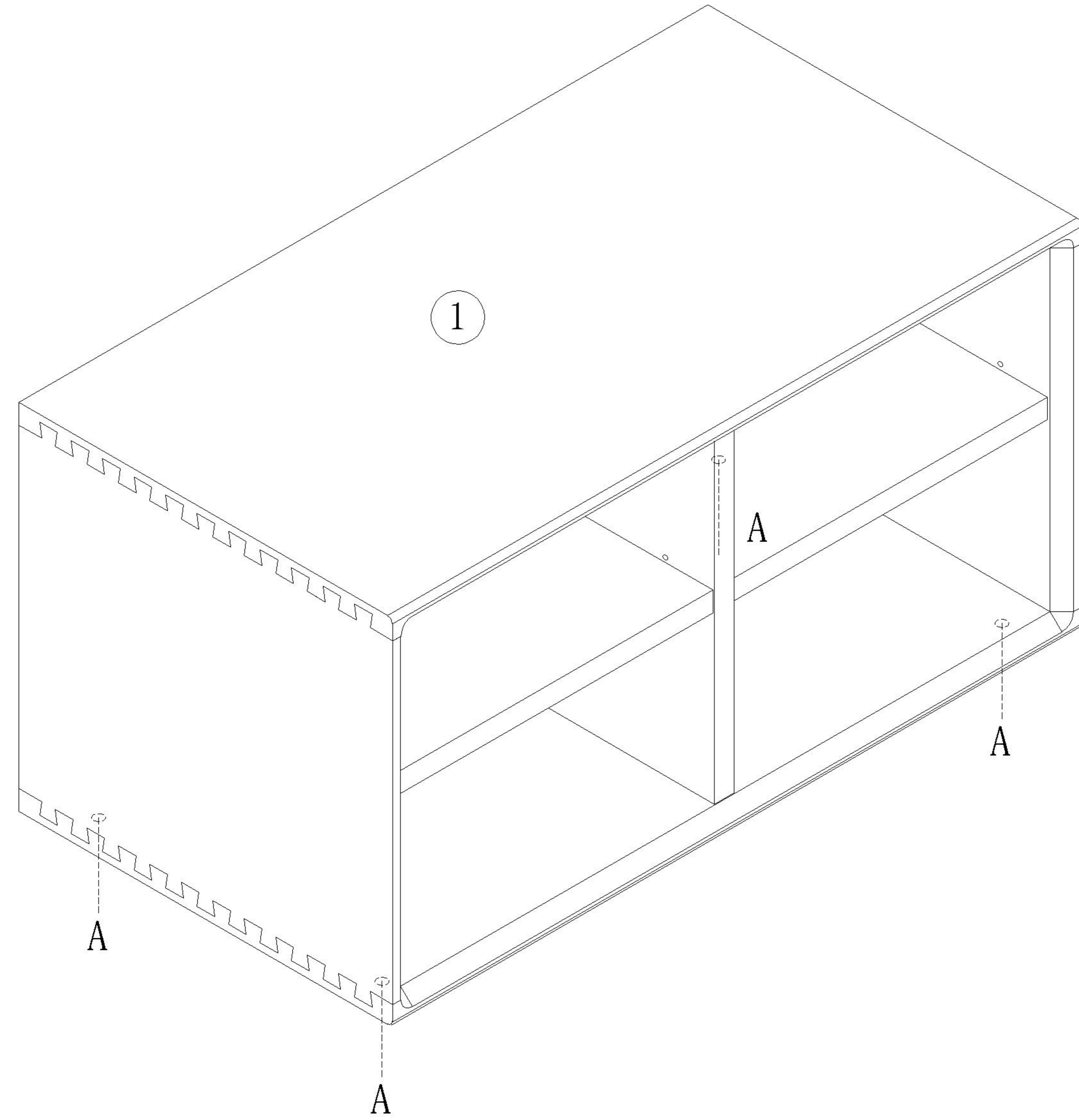


C01M-A



安装方法/
Installation method

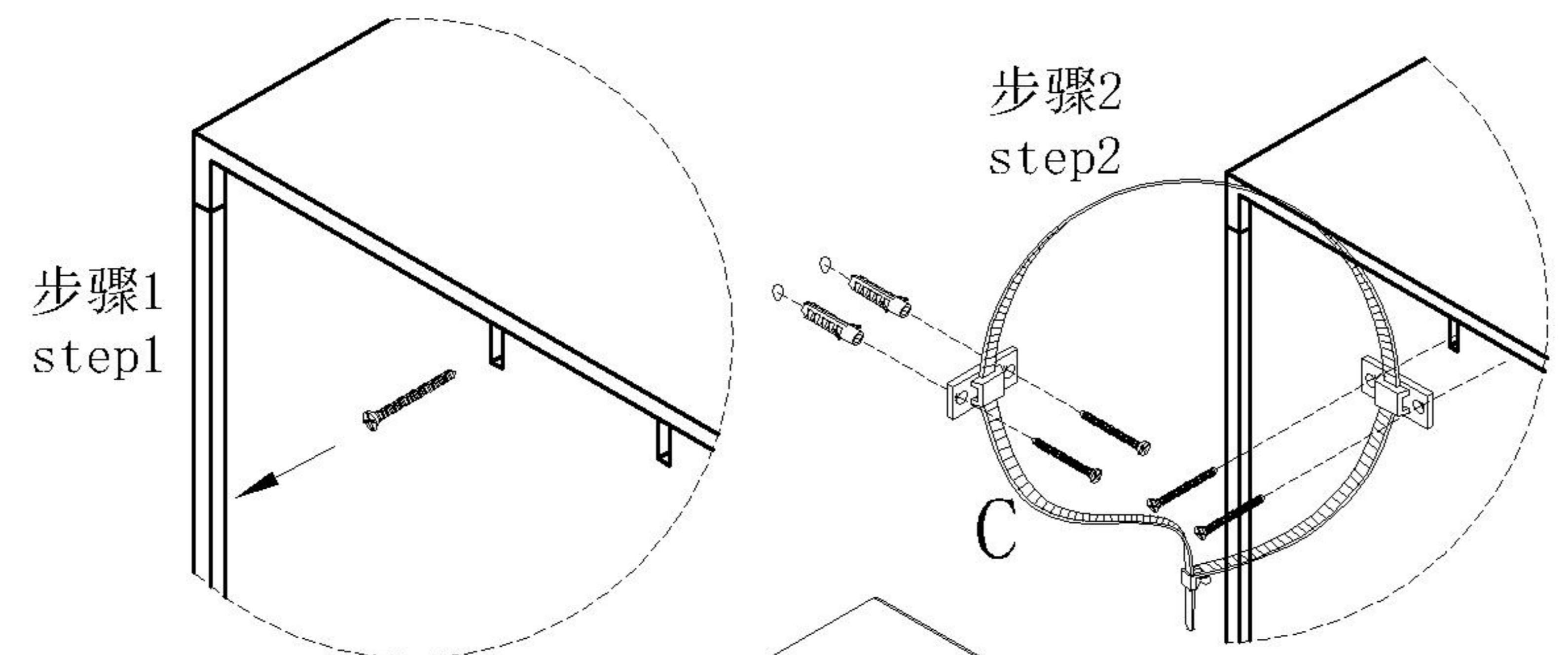
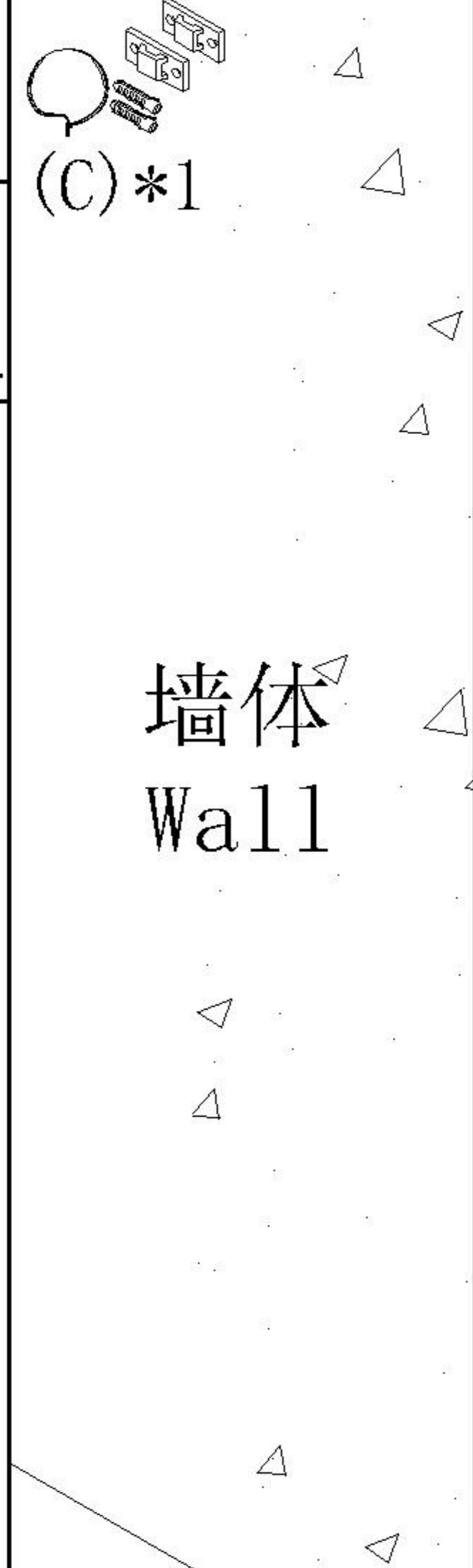
(A)*4



注意：柜体用于叠高搭配使用时不需安装五金A
Note: When the cabinet is used for stacking height, hardware A is not required

C01M-A

安装方法/
Installation method

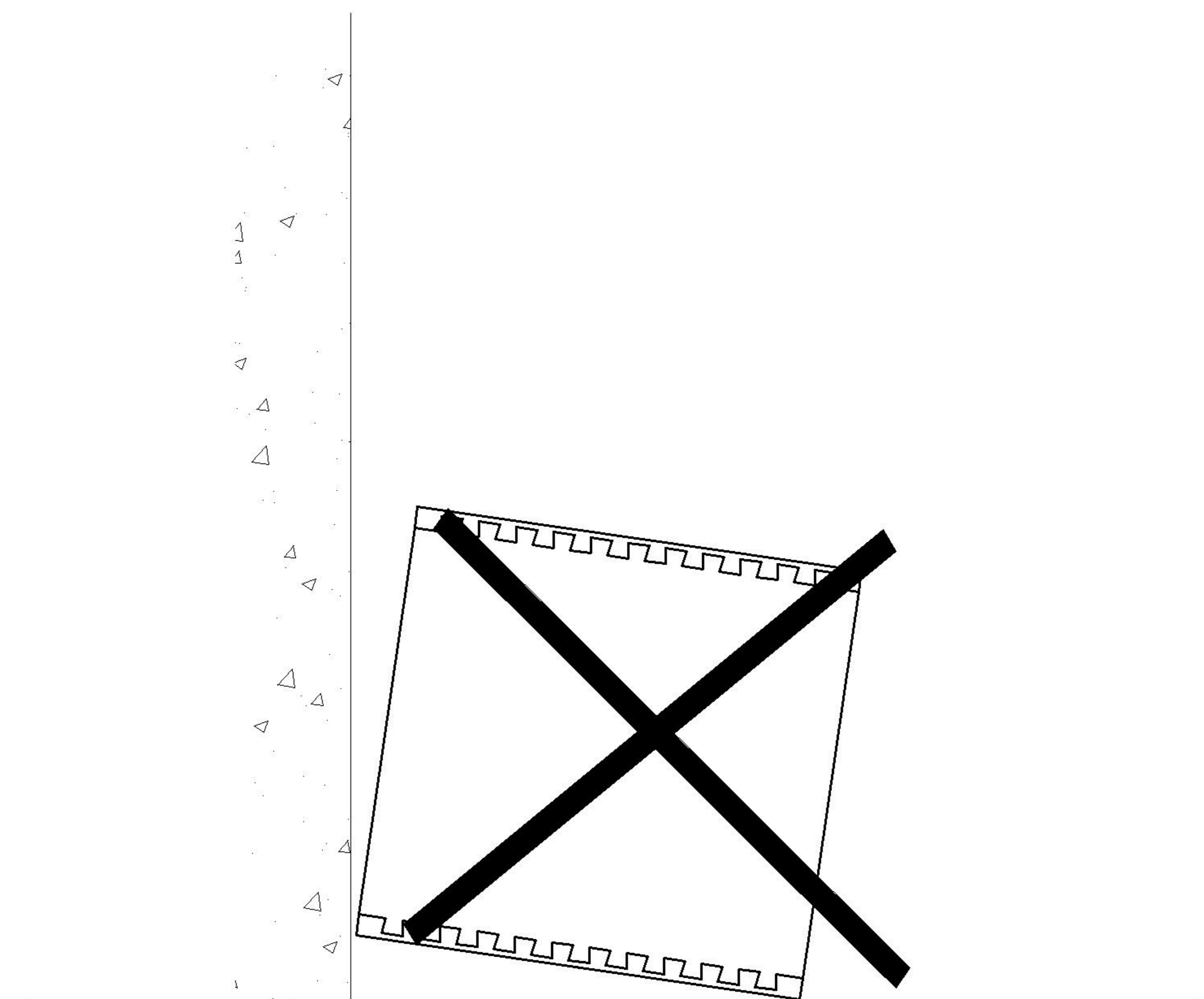


墙体
Wall

注意：
安装防倒器前需先把其中一颗背板螺丝卸出
Attention: Before installing the anti fall device, one of the back plate screws needs to be removed first

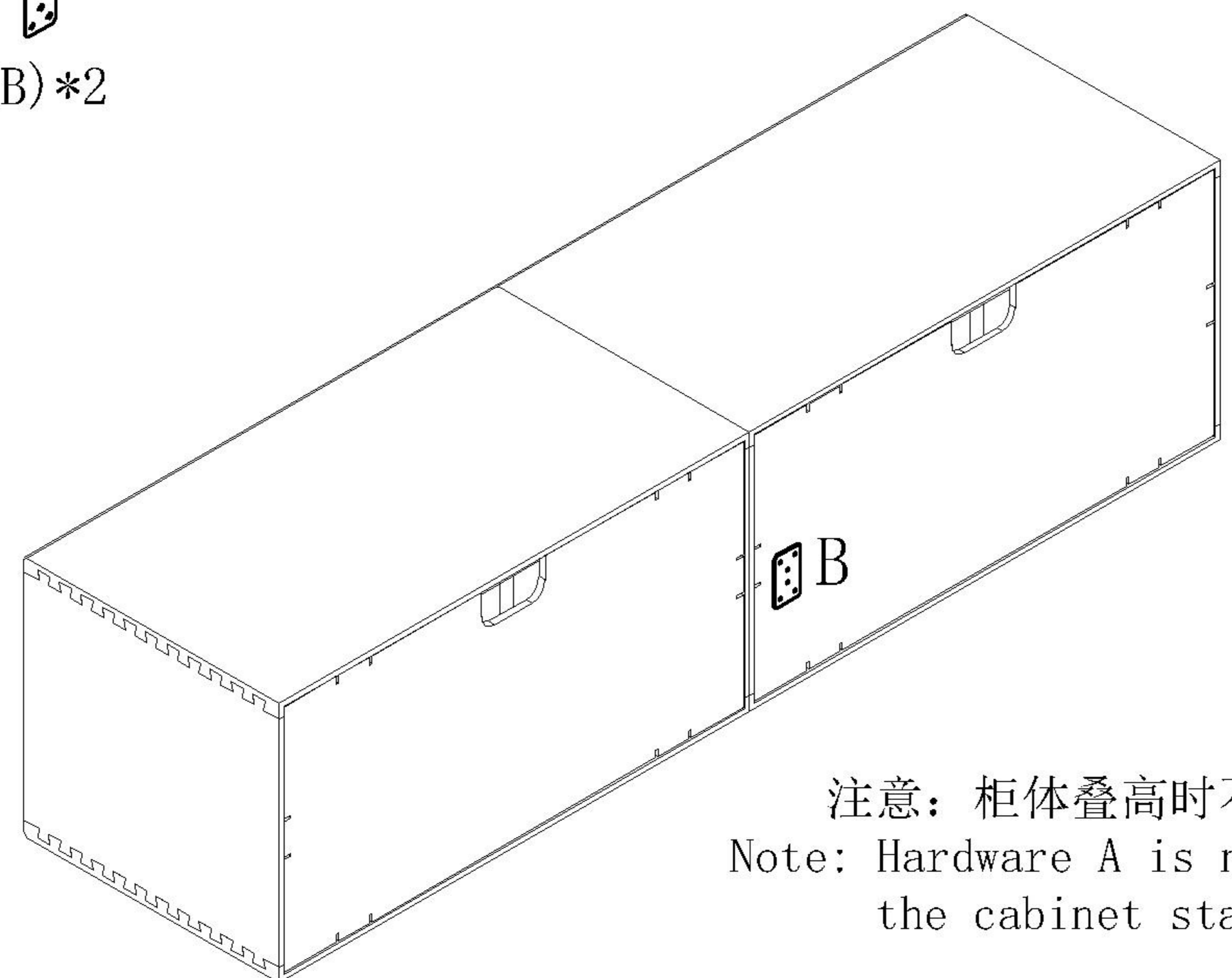
2

3

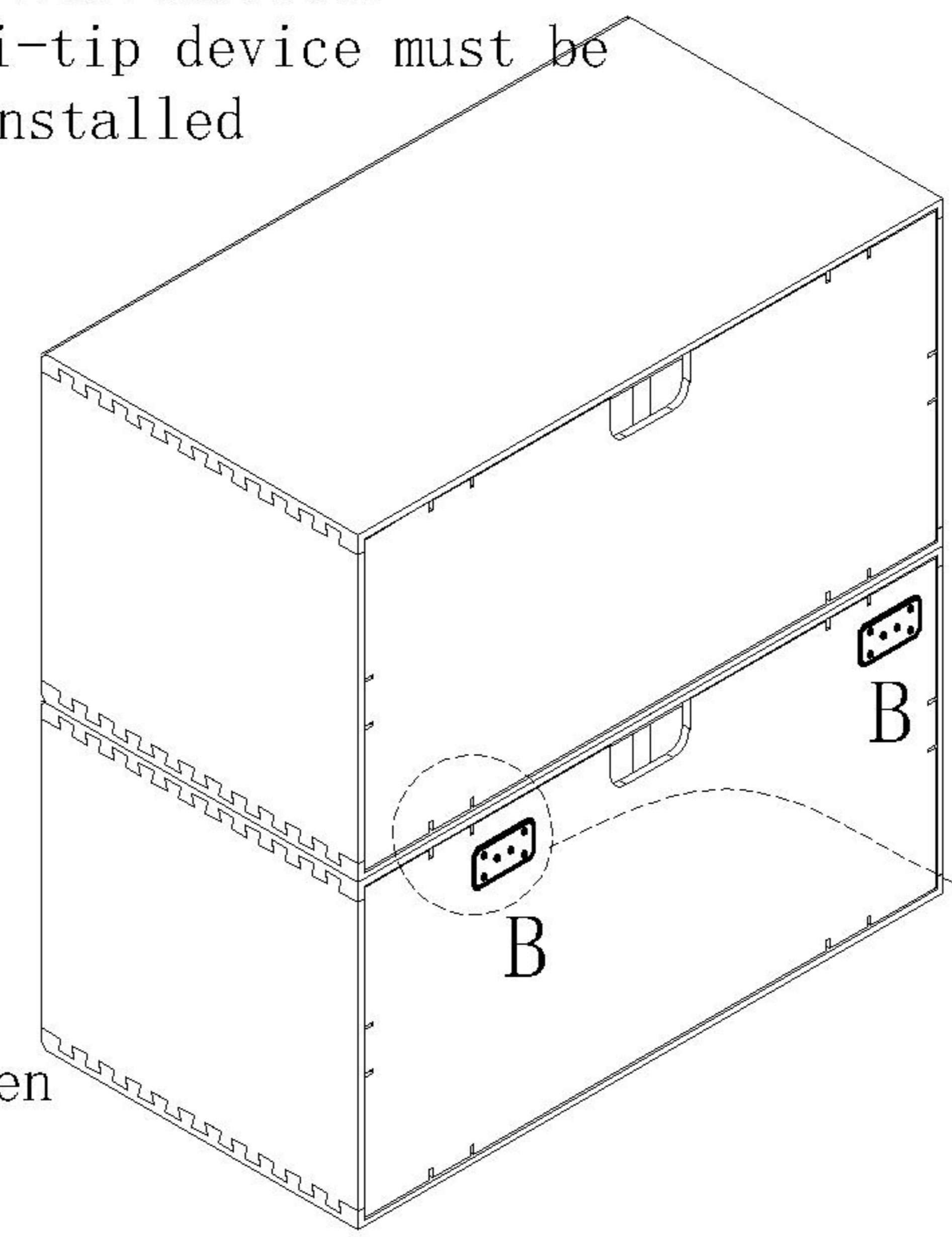


(B)*2

注意：须安装防倒器
Note: An anti-tip device must be installed

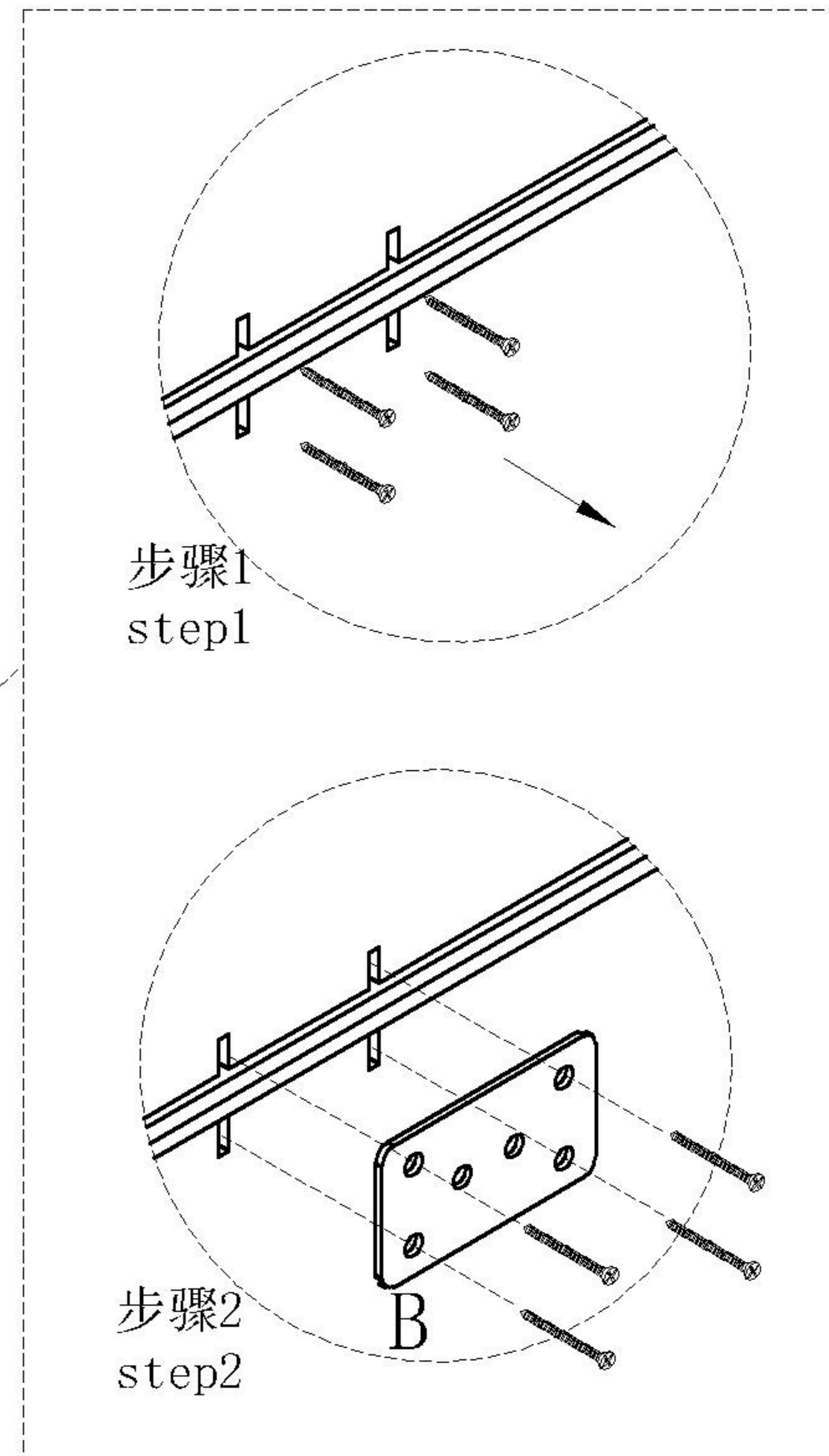


或者
OR



注意：柜体叠高时不需安装五金A
Note: Hardware A is not required when the cabinet stack is high

注意：1. 当选购多个柜体组合摆放时需安装五金B
2. 安装五金B前需先把背板螺丝卸下，再用卸下的背板螺丝锁紧五金B
Attention:
1. When selecting and using multiple cabinet combinations for placement, hardware B needs to be installed
2. Before installing hardware B, remove the back plate screws first, and then lock hardware B with the removed back plate screws



4