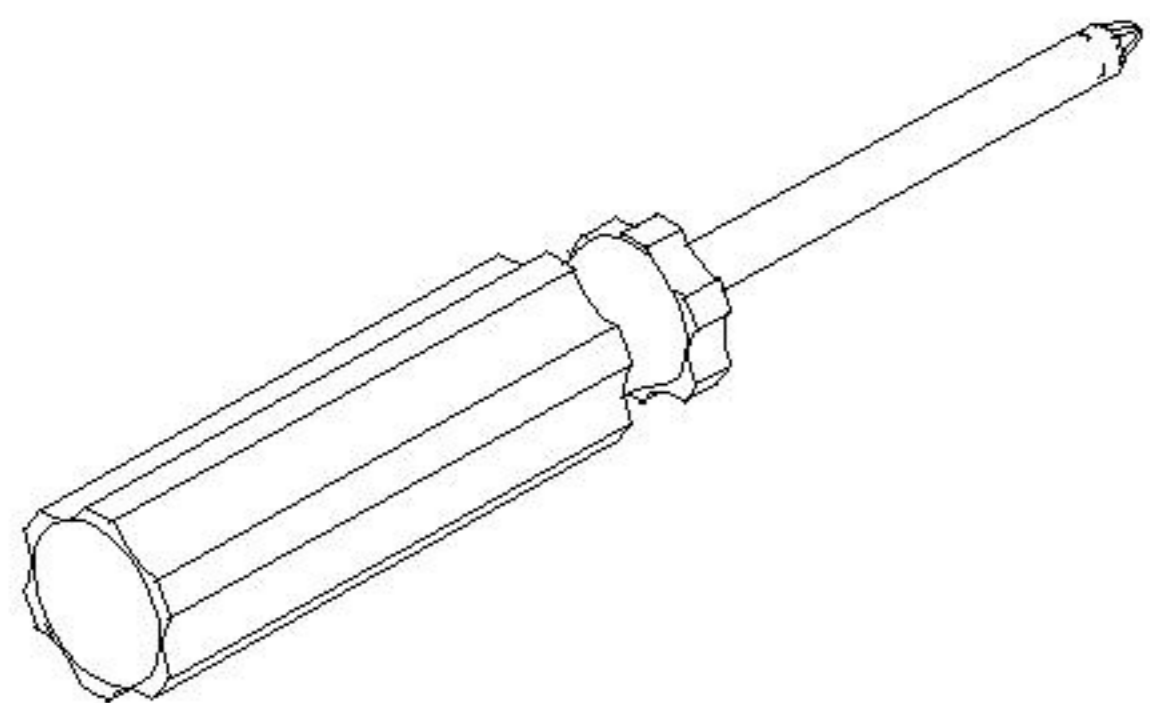
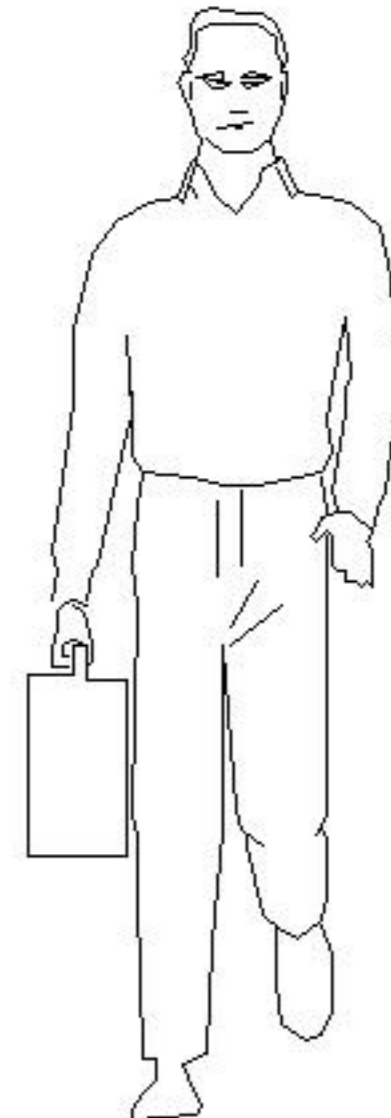


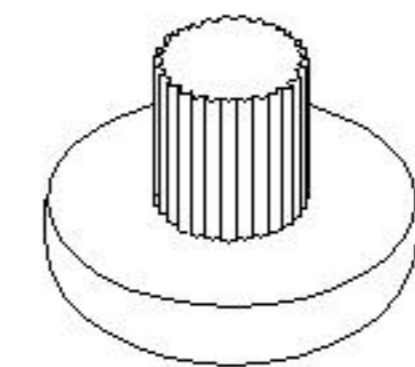
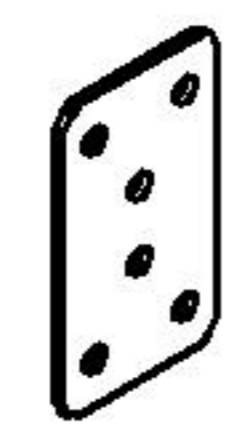
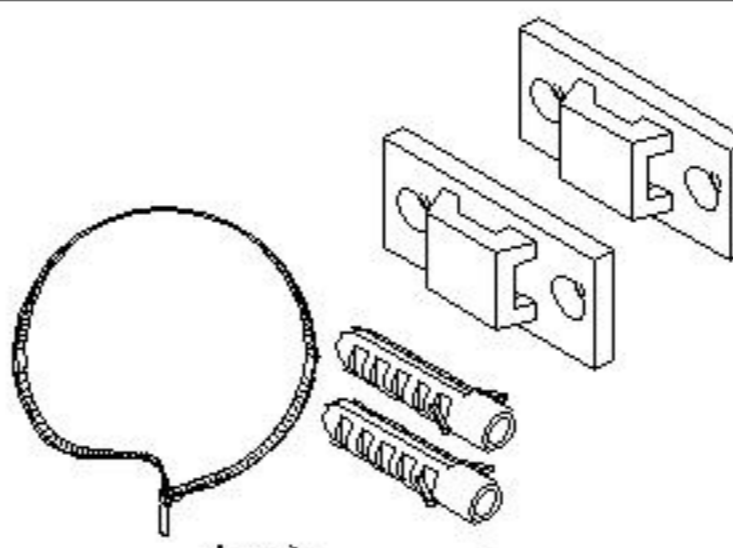
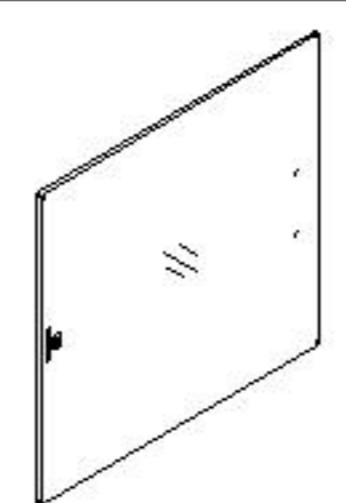
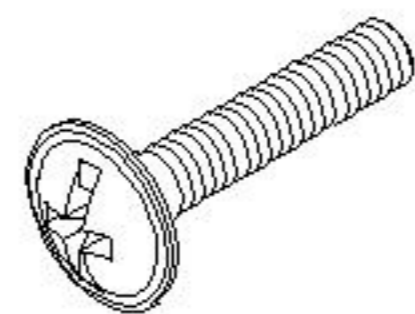
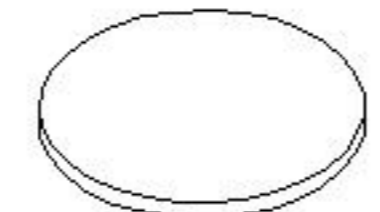
LINSY 林氏家居

五金表/Hardware list

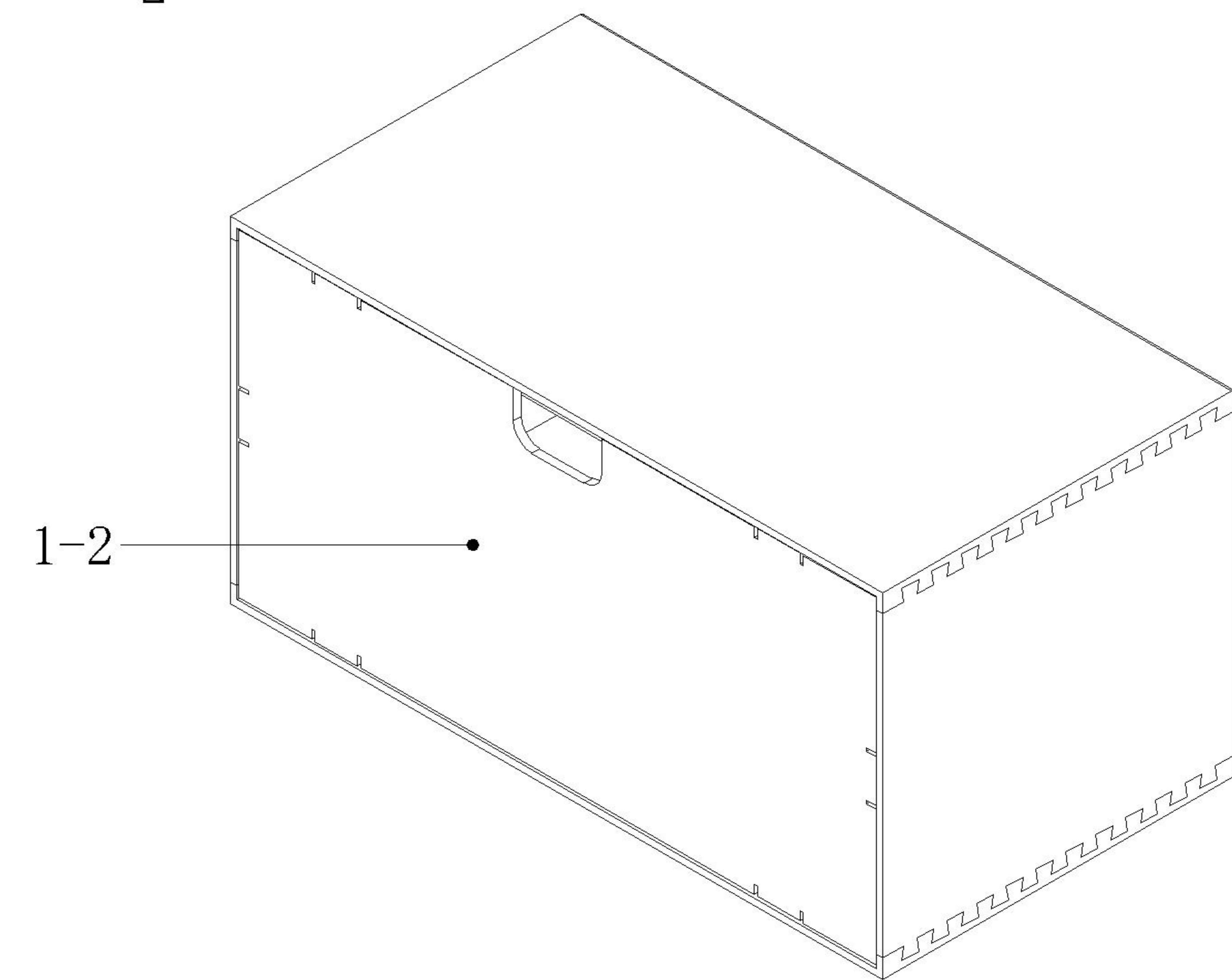
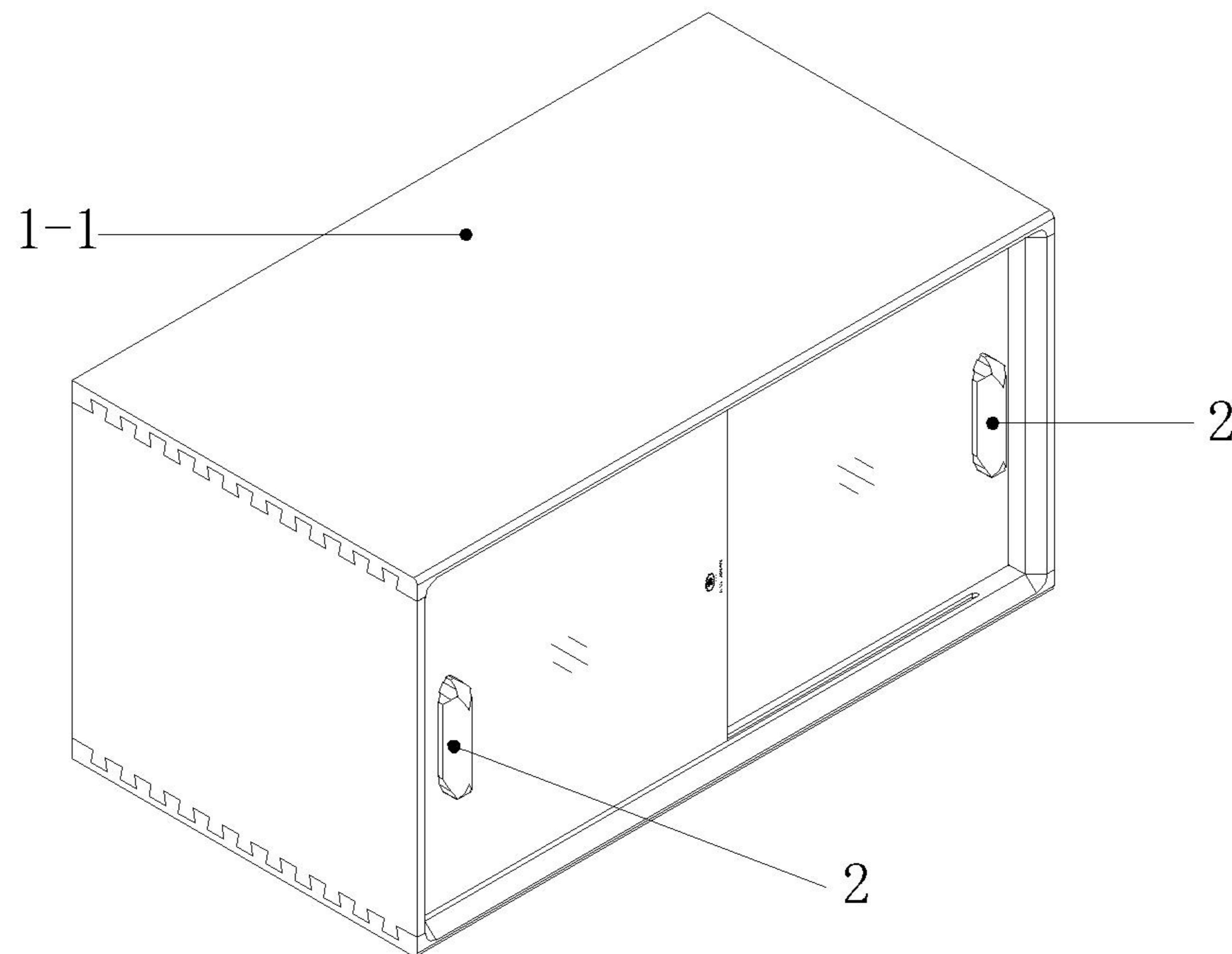
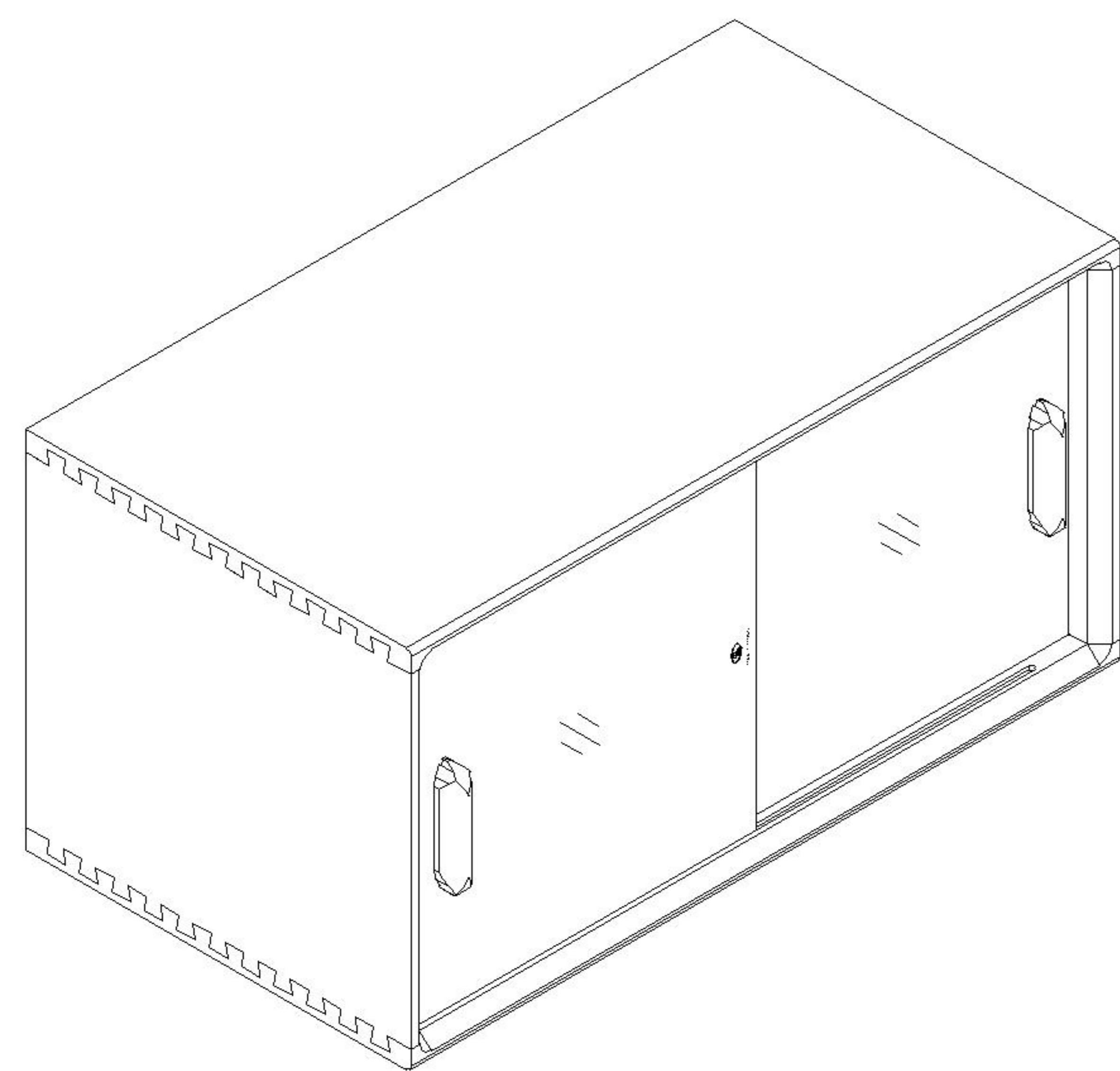
部件表/Parts List

安装示意图/Assembly Instruction

产品名称 Model NO.	C03M-A
产品规格 Specification	700*388*366mm
安装工具 Tool	安装人数 Installer
	

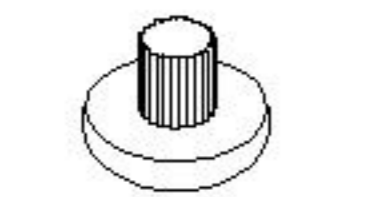
 (A)* 4 脚钉 Foot nails	 (B)* 2 铁床条 Hardware piece	 (C)* 1 防倒器 Anti-fall device	 (D)* 2 门板玻璃 (338*328*5mm) Door panel glass
 (E)* 4 拉手螺丝-M4x15mm pulling screw	 (F)* 4 透明防撞垫片Ø10x1.5 Transparent anti-collision gasket		

编号NO.	名称Name	规格 (mm) Specification	数量QTY	材质Material
①	整装柜子 Packaged cabinet	700*380*360	1	实木 Wood
1-1	上柜 Upper cabinet	700*380*360	1	实木 Wood
1-2	背板 Back board	684*342*9	1	实木 Wood
②	拉手 Handle	110*25*20	2	实木 Wood

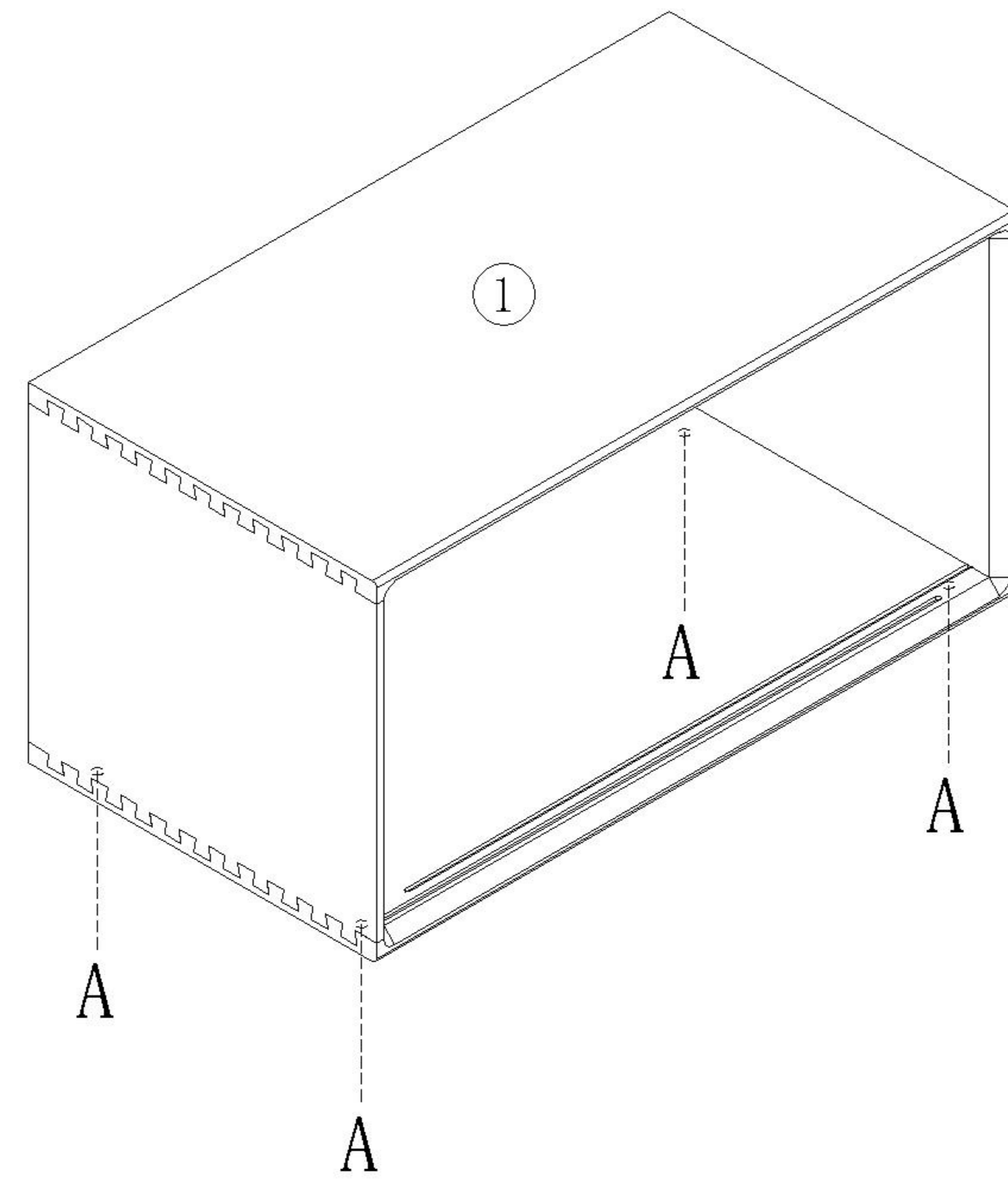


C03M-A

安装方法/
Installation method

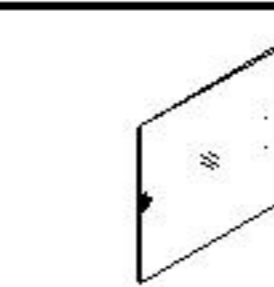


(A)*4

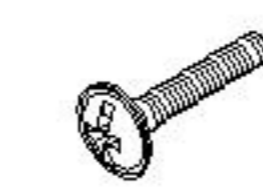


注意：柜体用于叠高搭配使用时不需安装五金A
Note: When the cabinet is used for stacking height, hardware A is not required

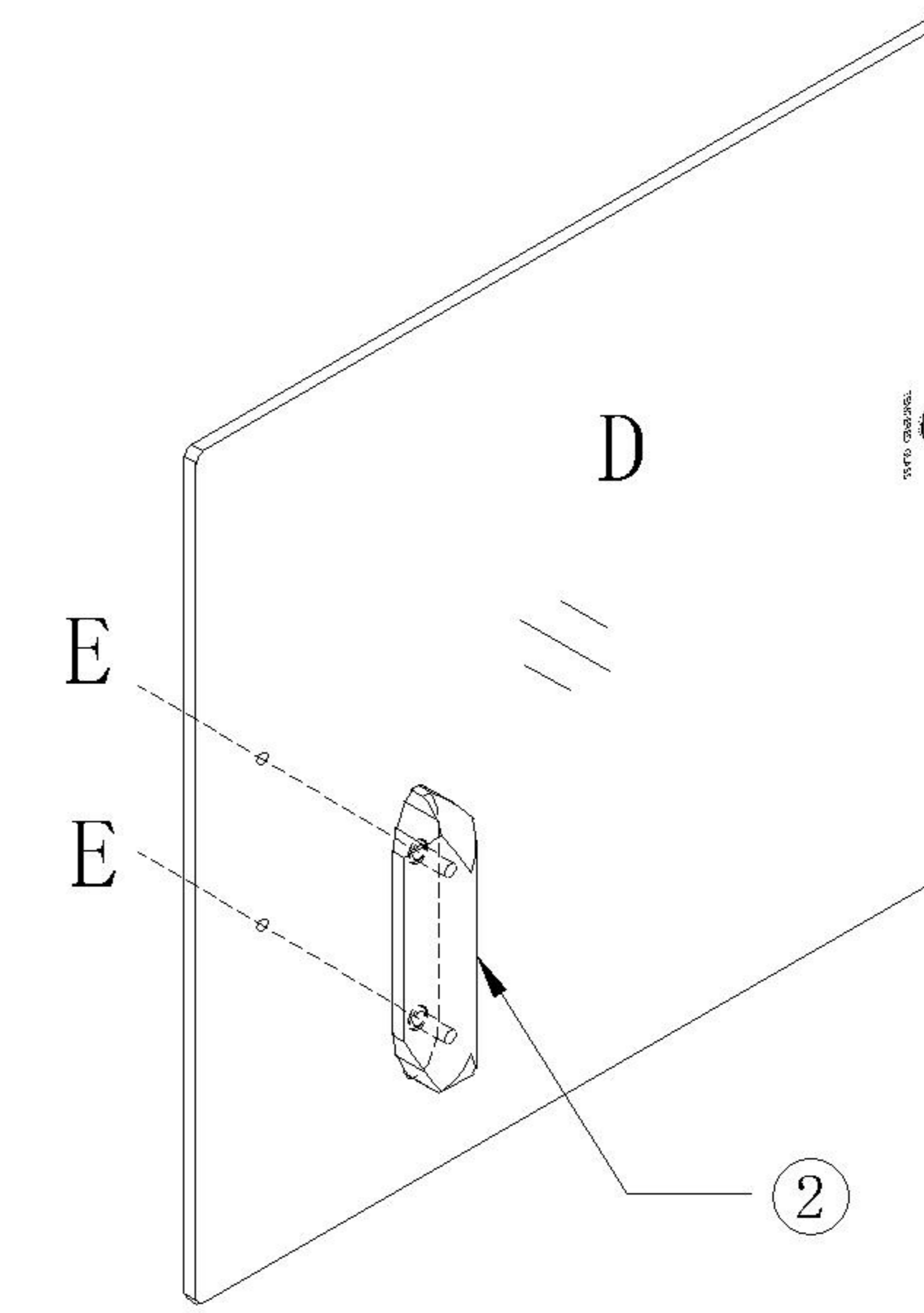
1



(D)*2



(E)*4



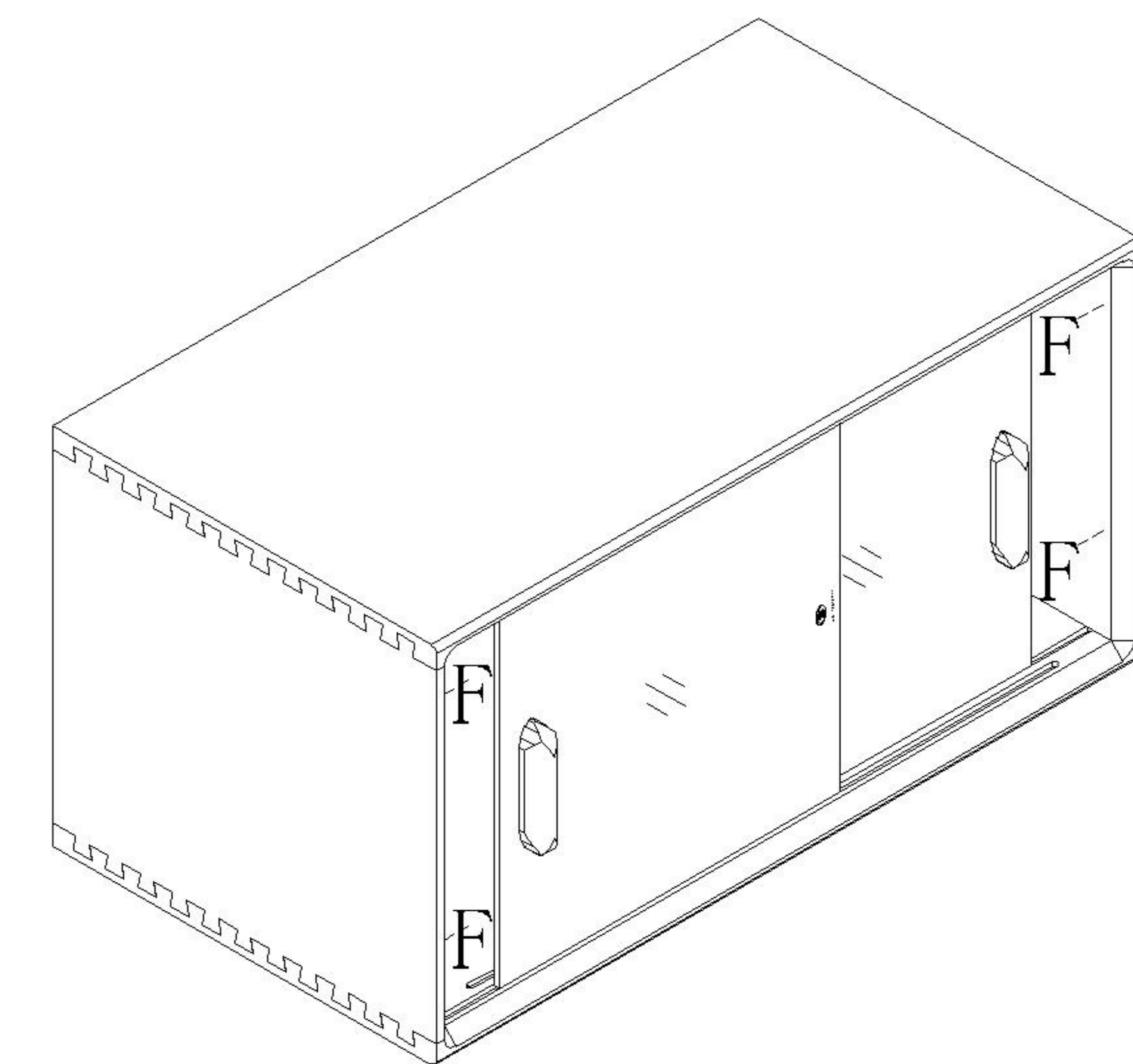
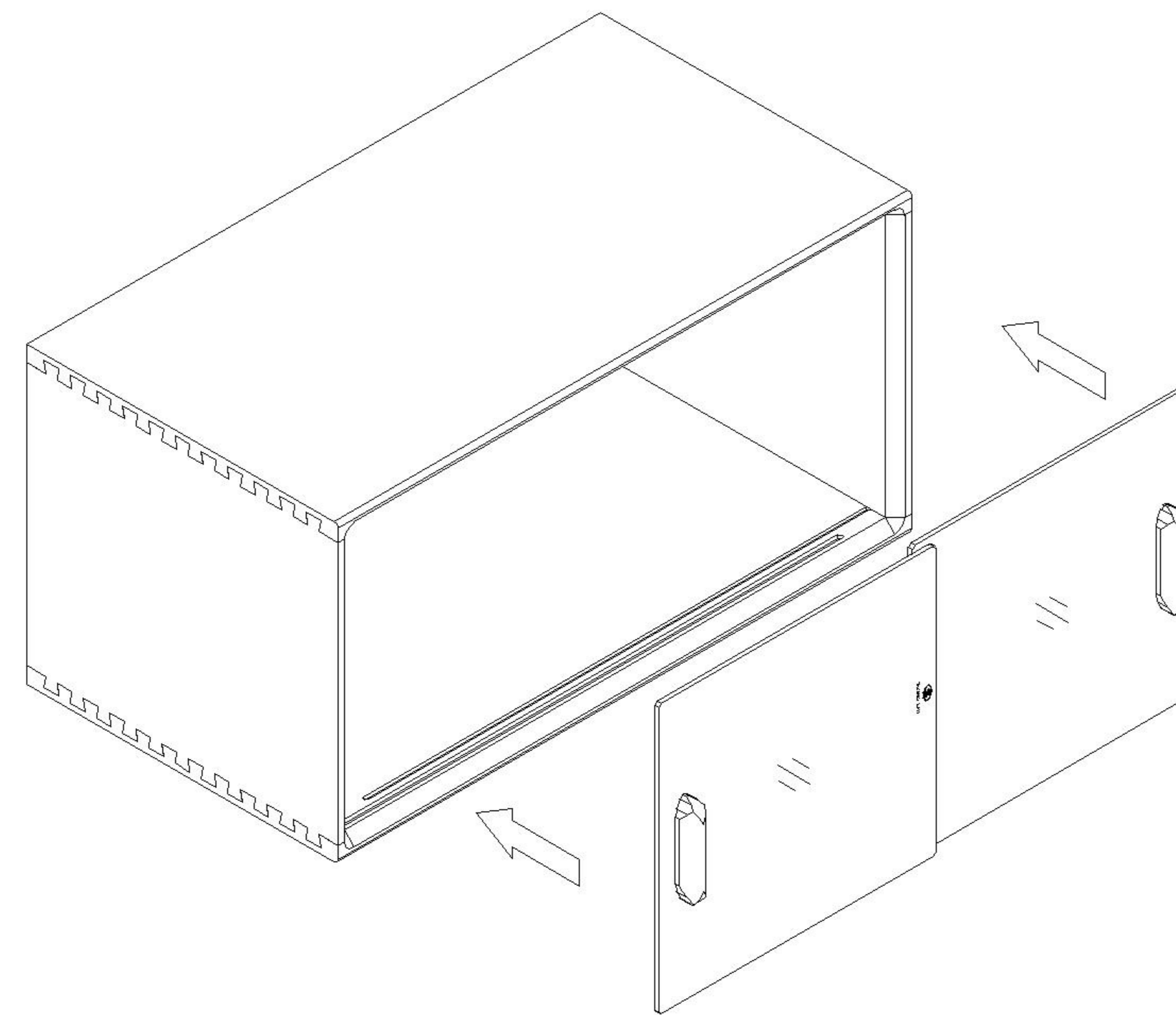
X2

2

3



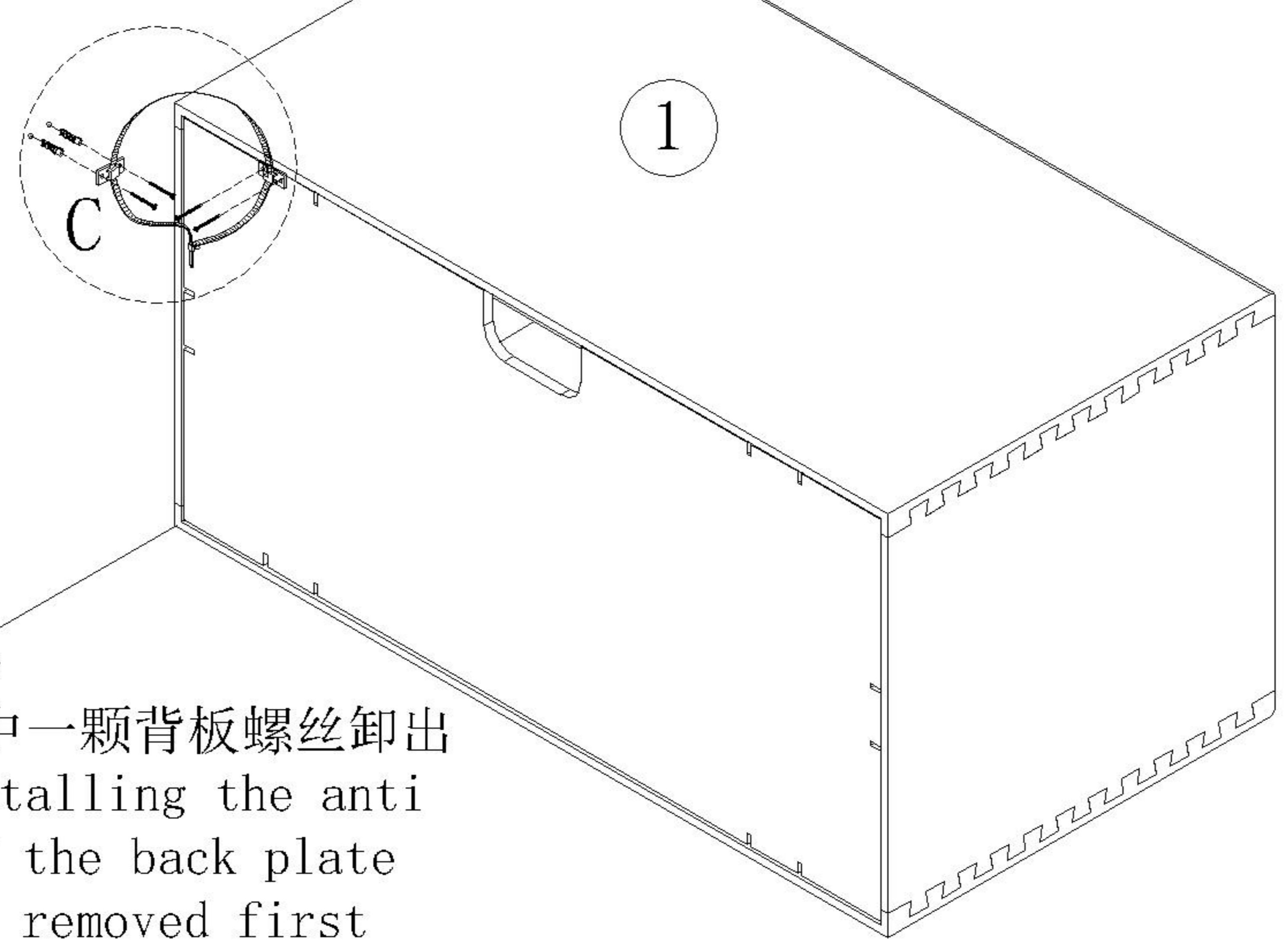
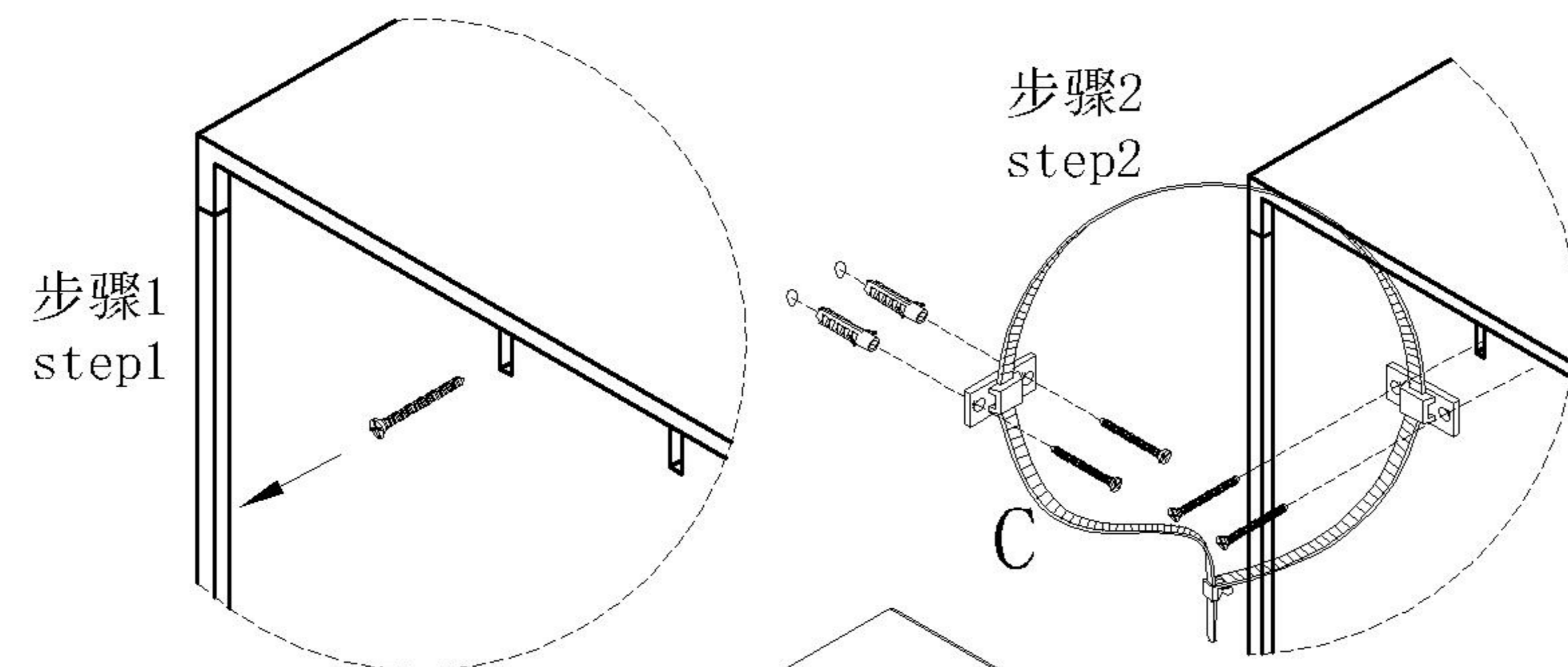
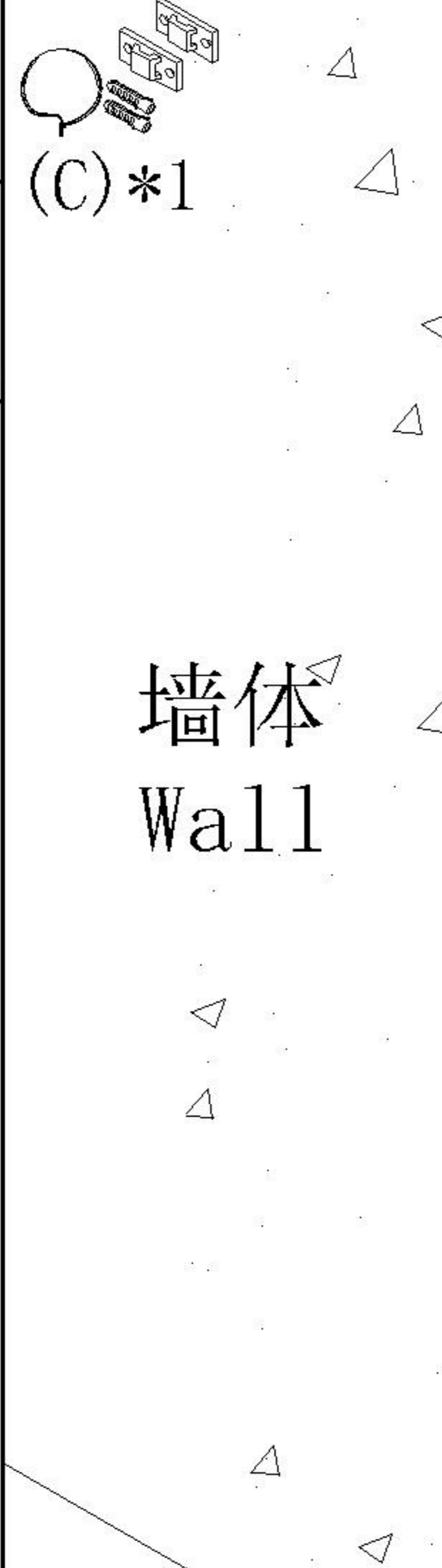
(F)*4



4

C03M-A

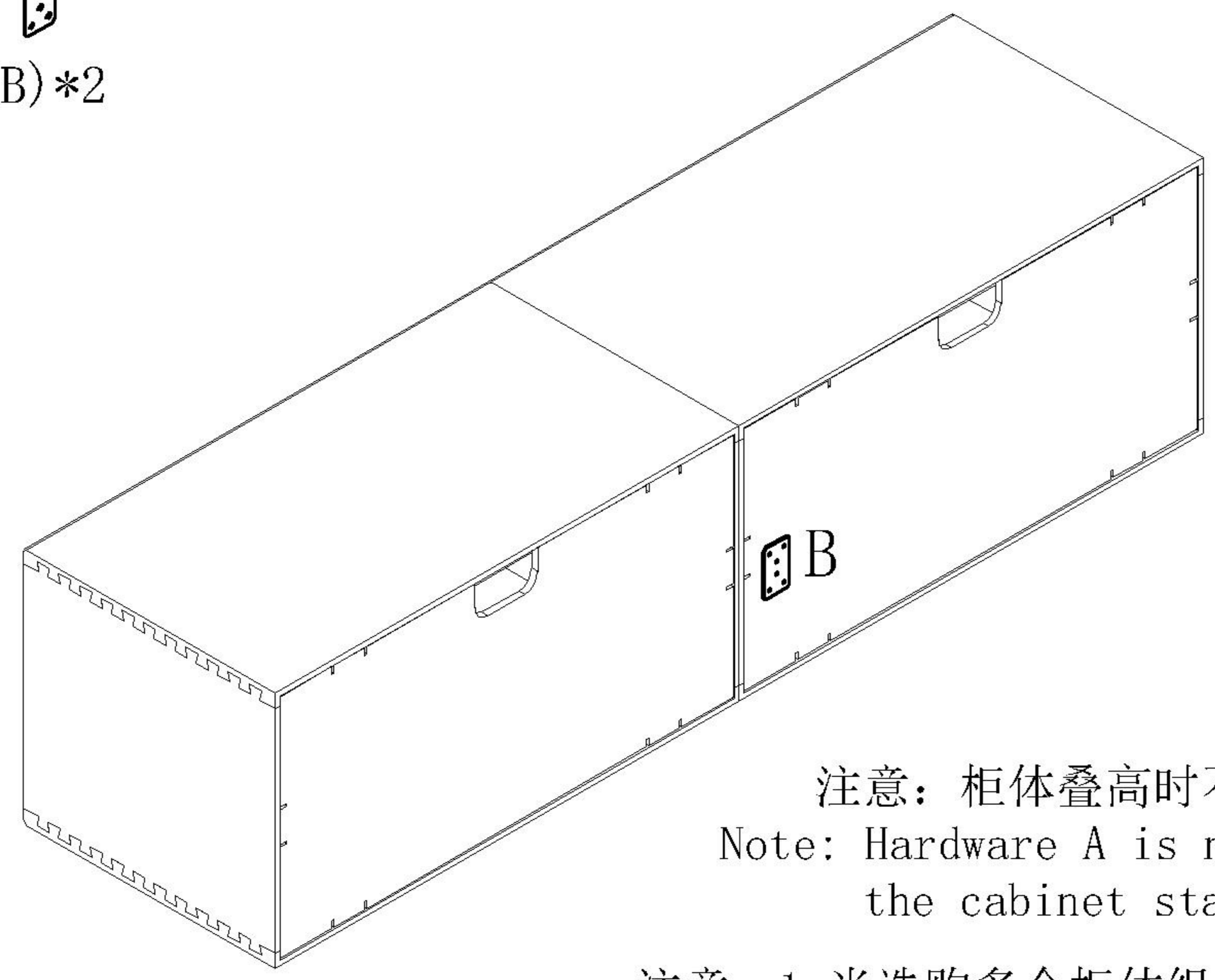
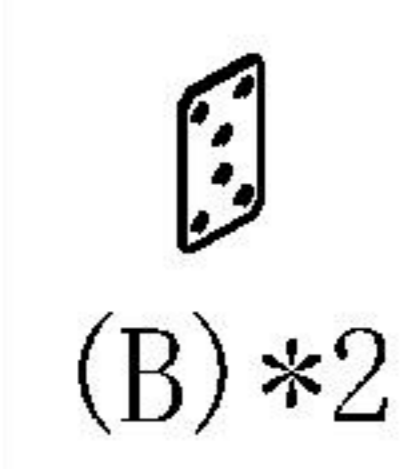
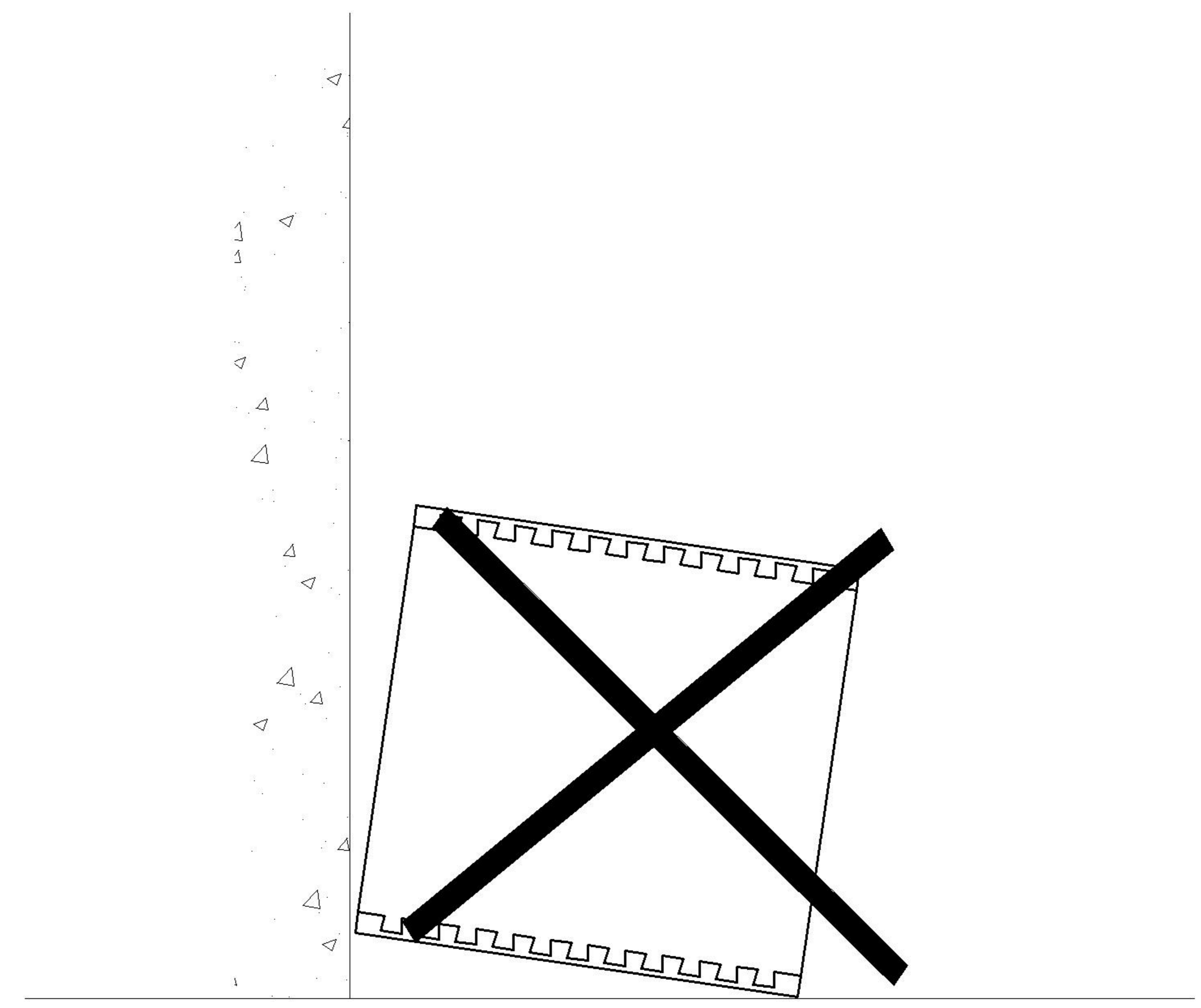
安装方法/
Installation method



注意：
安装防倒器前需先把其中一颗背板螺丝卸出
Attention: Before installing the anti fall device, one of the back plate screws needs to be removed first

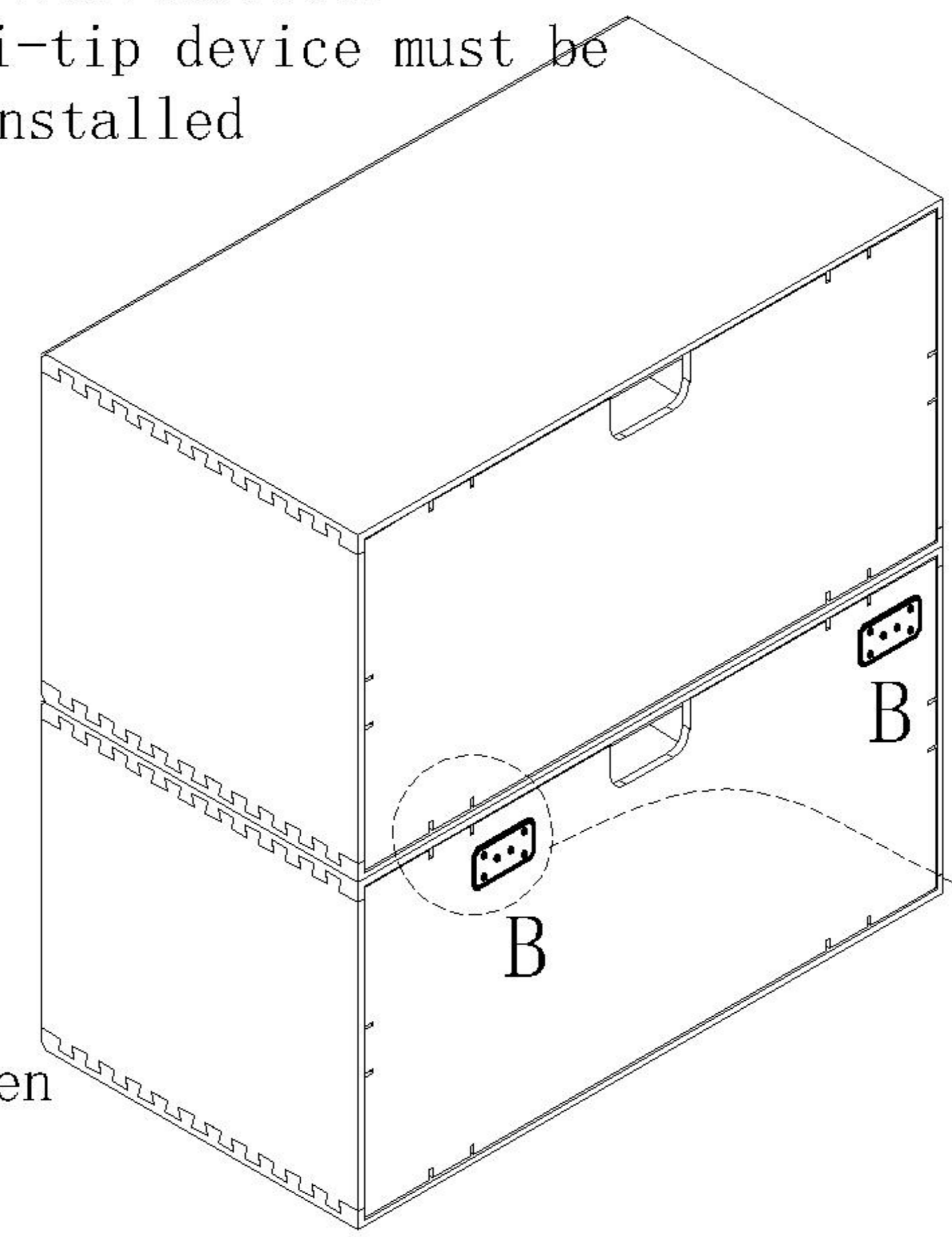
5

6



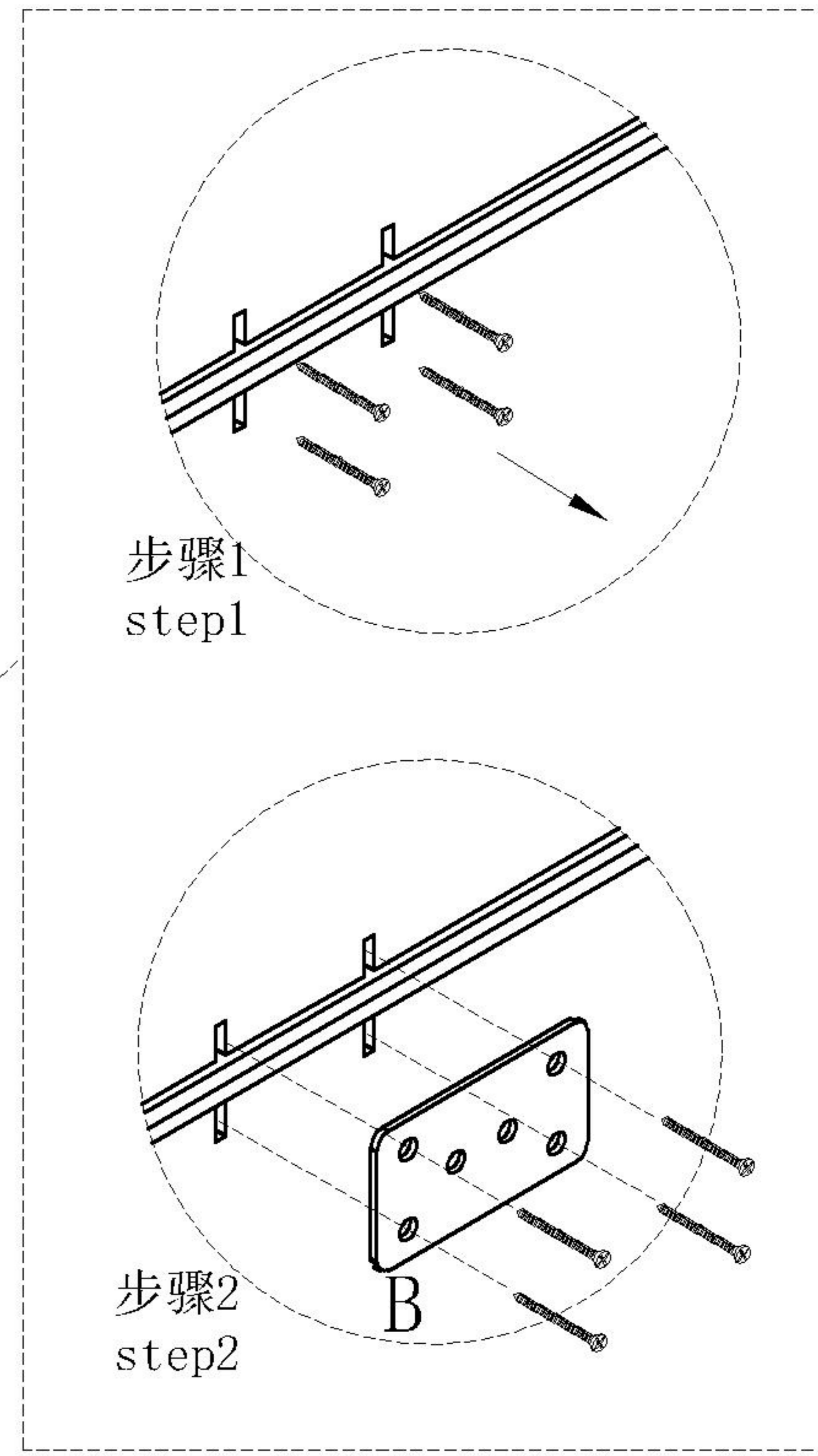
注意：须安装防倒器
Note: An anti-tip device must be installed

或者
OR



注意：柜体叠高时不需安装五金A
Note: Hardware A is not required when the cabinet stack is high

注意：1. 当选购多个柜体组合摆放时需安装五金B
2. 安装五金B前需先把背板螺丝卸下，再用卸下的背板螺丝锁紧五金B
Attention:
1. When selecting and using multiple cabinet combinations for placement, hardware B needs to be installed
2. Before installing hardware B, remove the back plate screws first, and then lock hardware B with the removed back plate screws



7