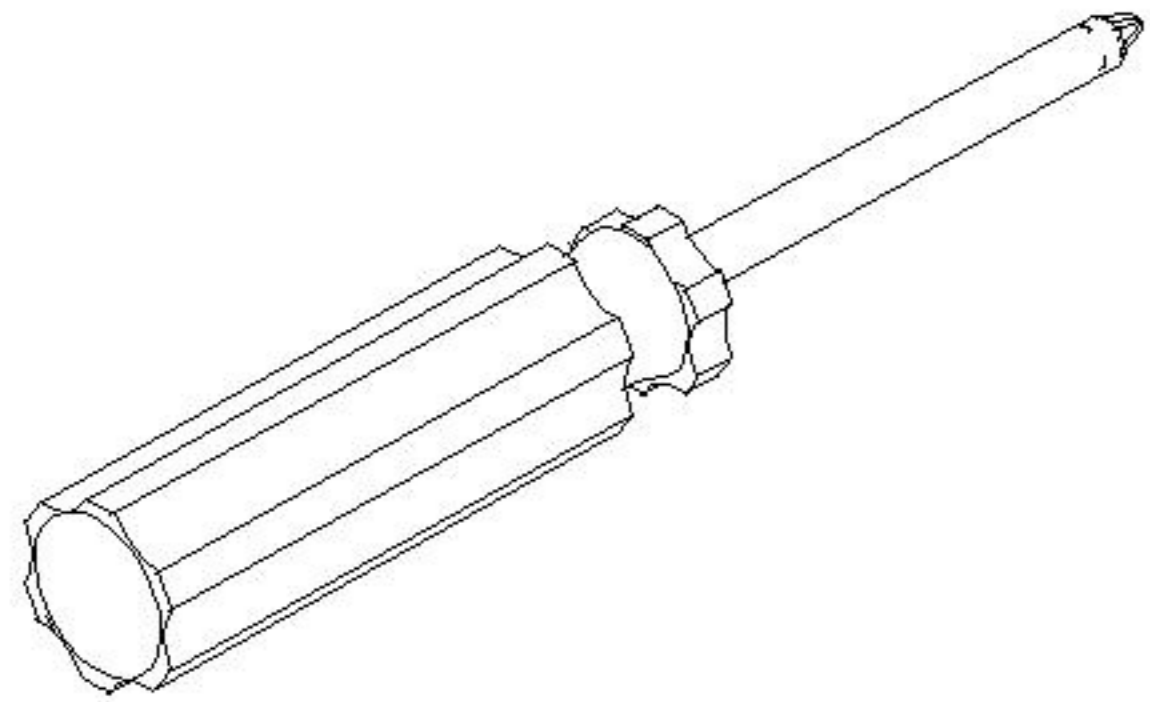
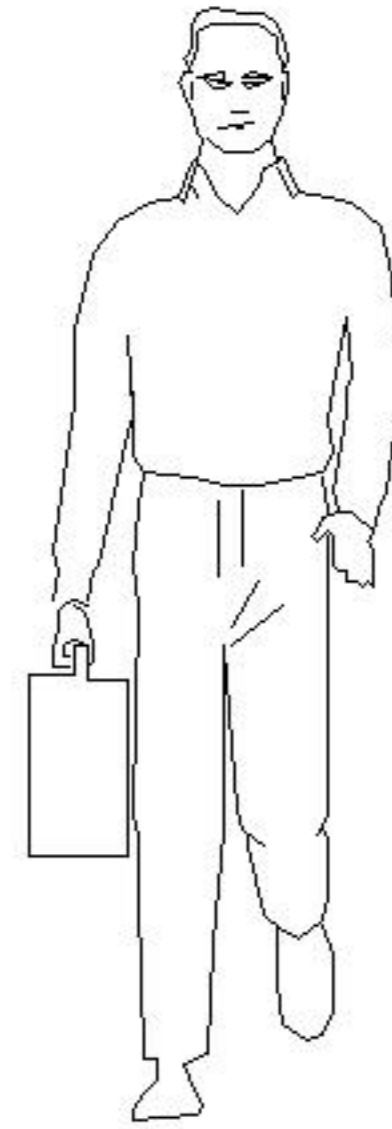


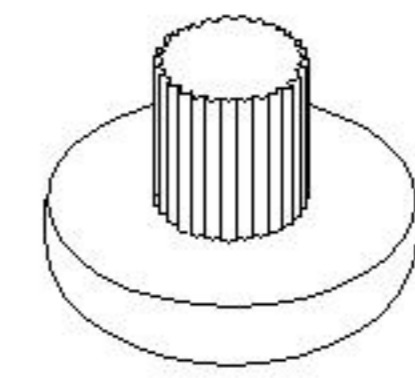
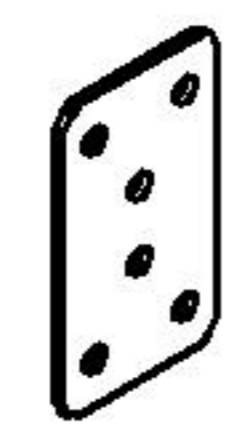
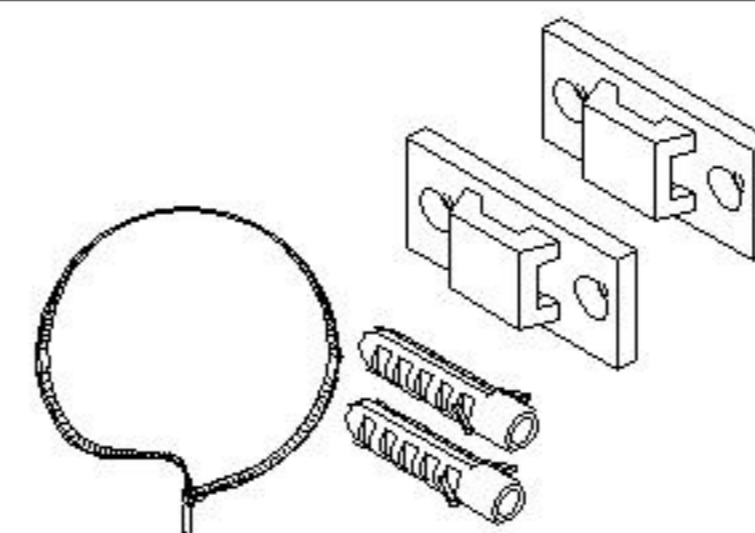
LINSY 林氏家居

五金表/Hardware list

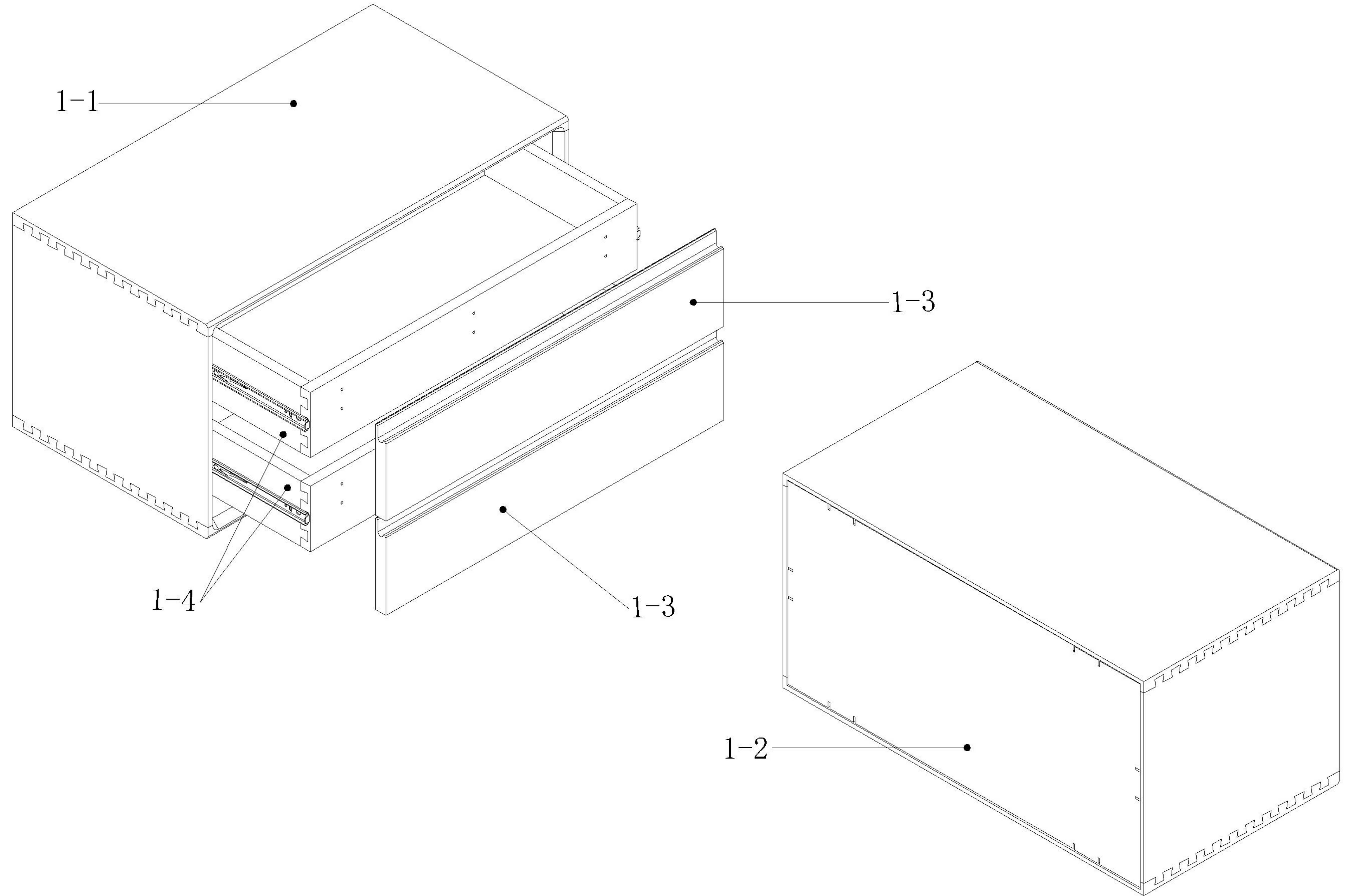
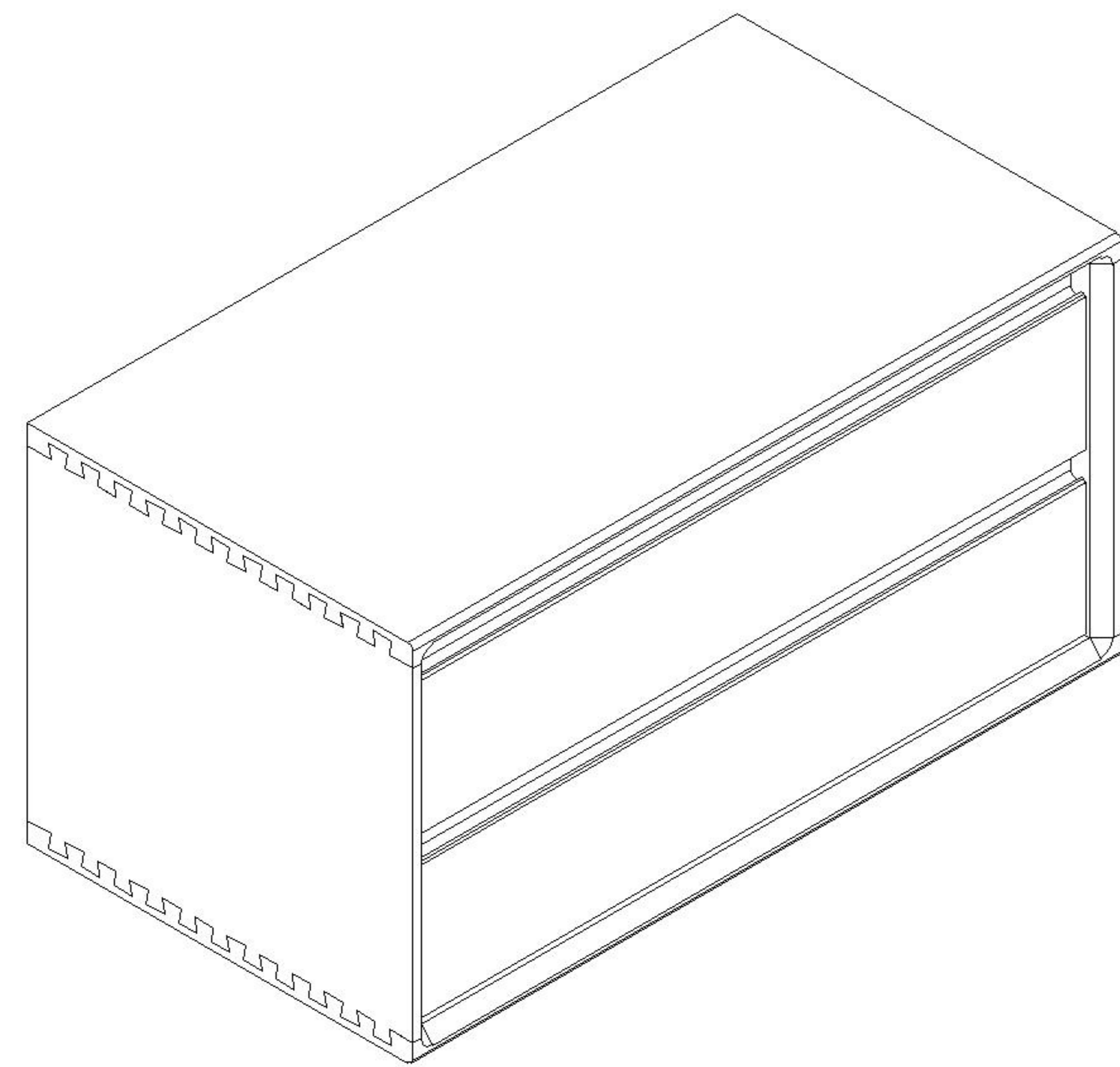
部件表/Parts List

安装示意图/Assembly Instruction

产品名称 Model NO.	C02M-A
产品规格 Specification	700*380*366mm
安装工具 Tool	安装人数 Installer
	

 (A)* 4 脚钉 Foot nails	 (B)* 2 铁床条 Hardware piece	 (C)* 1 防倒器 Anti-fall device
--	--	--

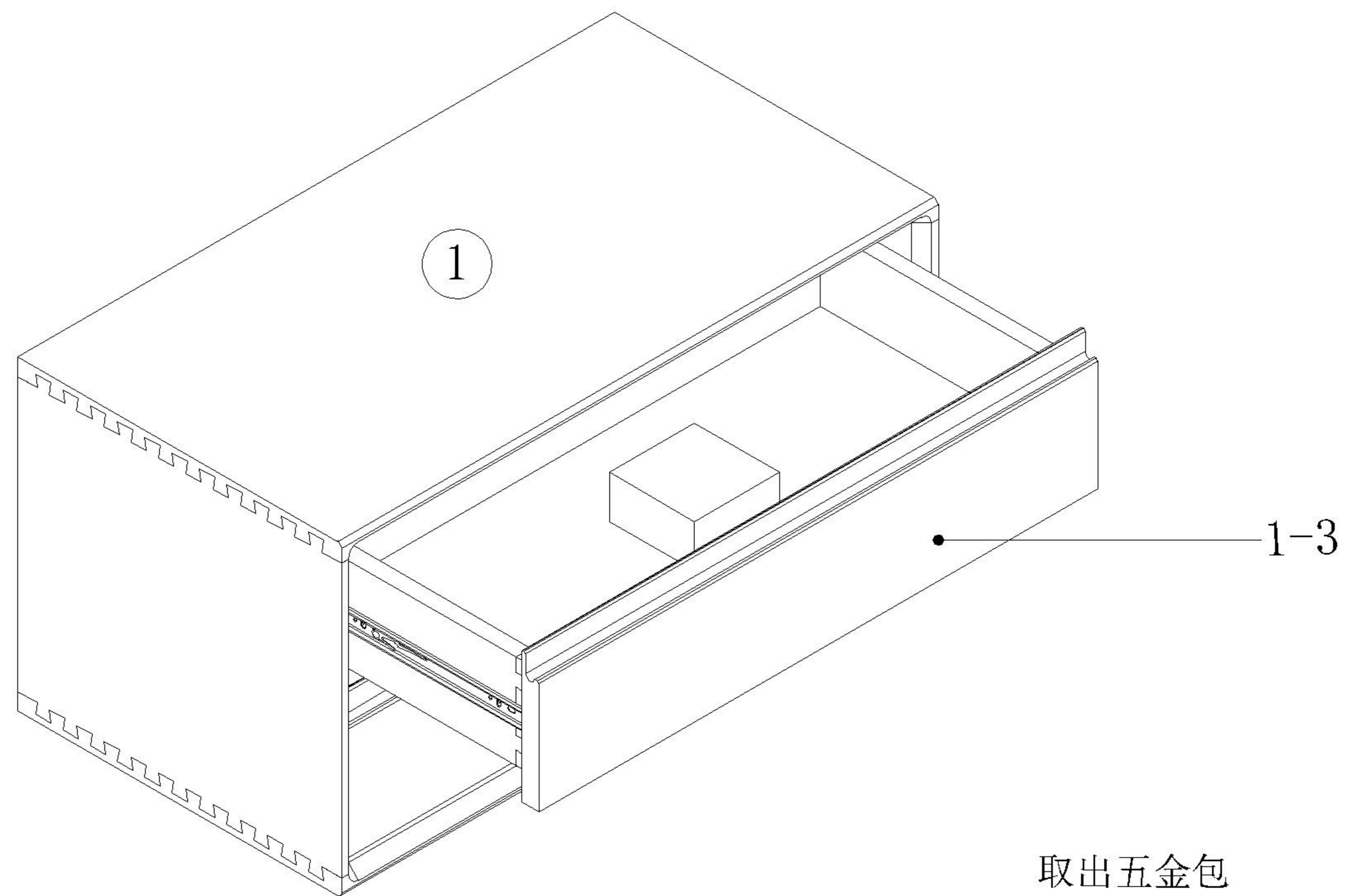
编号NO.	名称Name	规格 (mm) Specification	数量QTY	材质Material
①	整装柜子 Packaged cabinet	700*380*360	1	实木 Wood
1-1	上柜 Upper cabinet	700*380*360	1	实木 Wood
1-2	背板 Back board	684*342*9	1	实木 Wood
1-3	抽屉面板 Drawer top panel	656*155*20	2	实木 Wood
1-4	抽屉内盒 Drawer inner box	634*295*110	2	实木 Wood



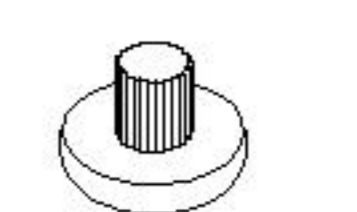
C02M-A

1

安装方法/
Installation method

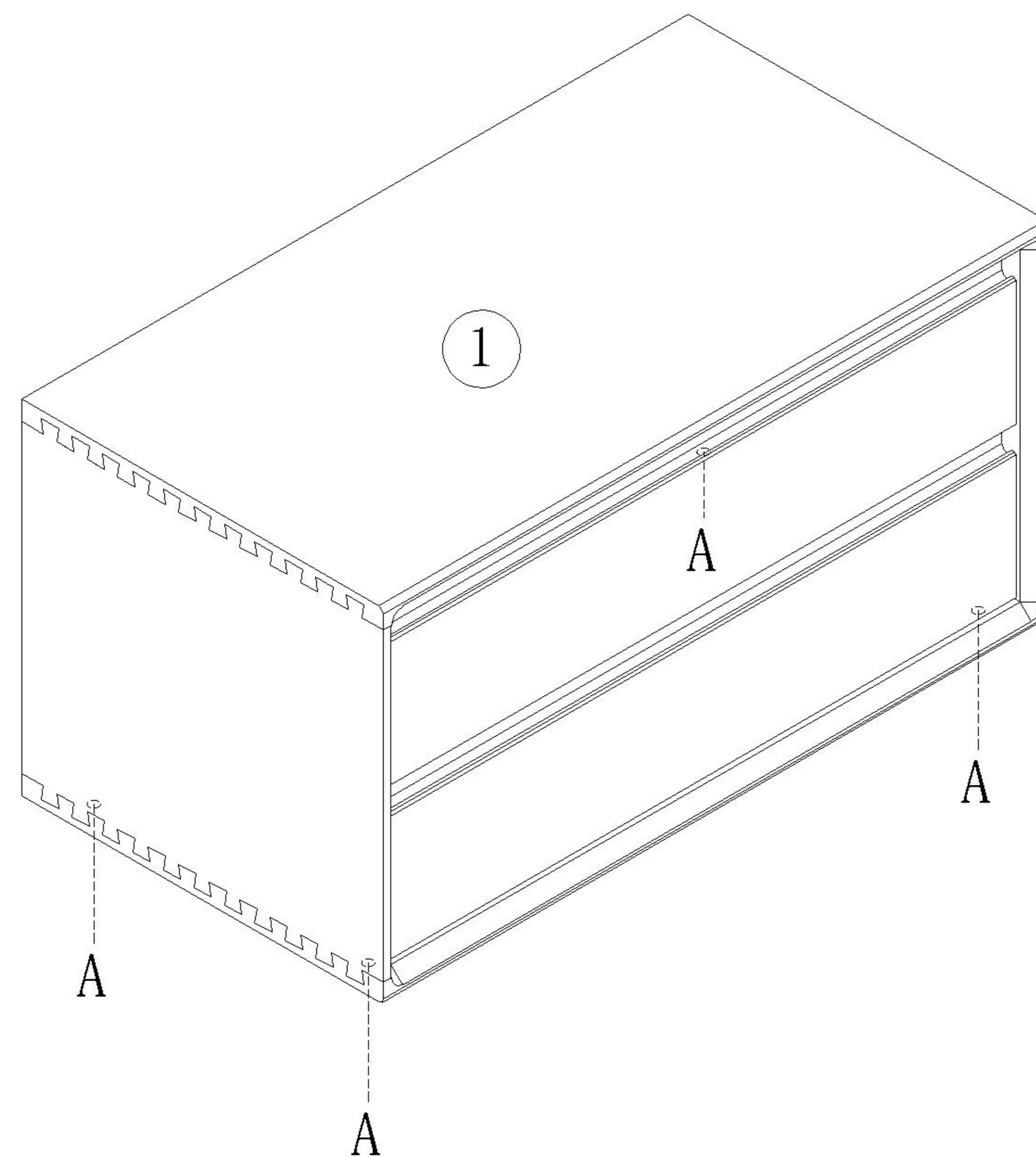


取出五金包
Take out hardware bag



(A)*4

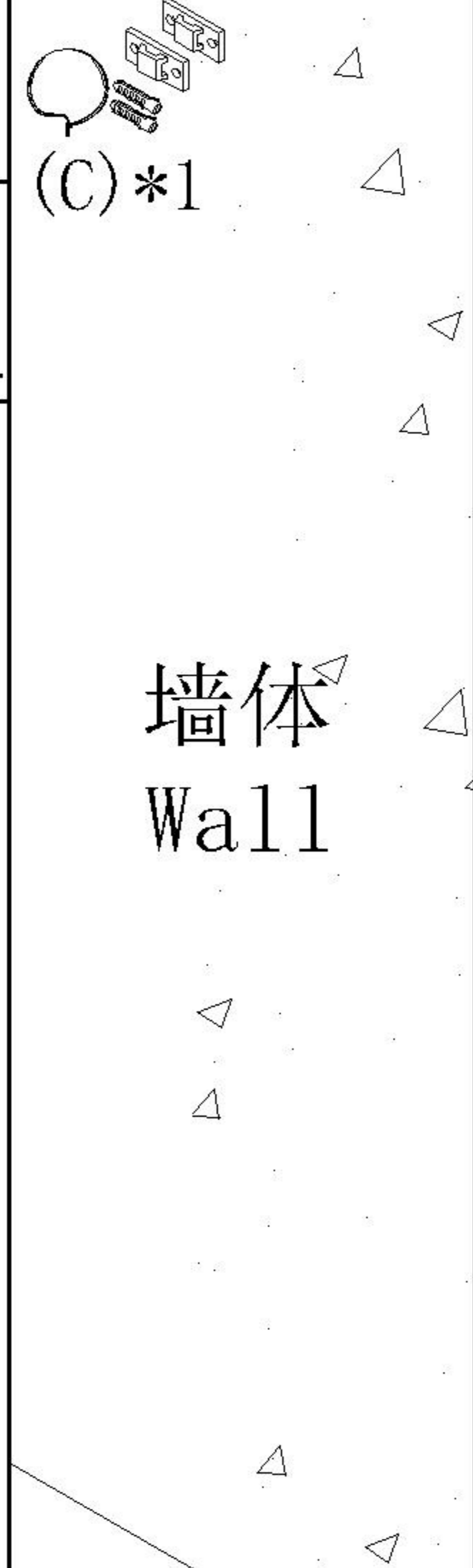
2



注意：柜体用于叠高搭配使用时不需安装五金A
Note: When the cabinet is used for stacking height, hardware A is not required

C02M-A

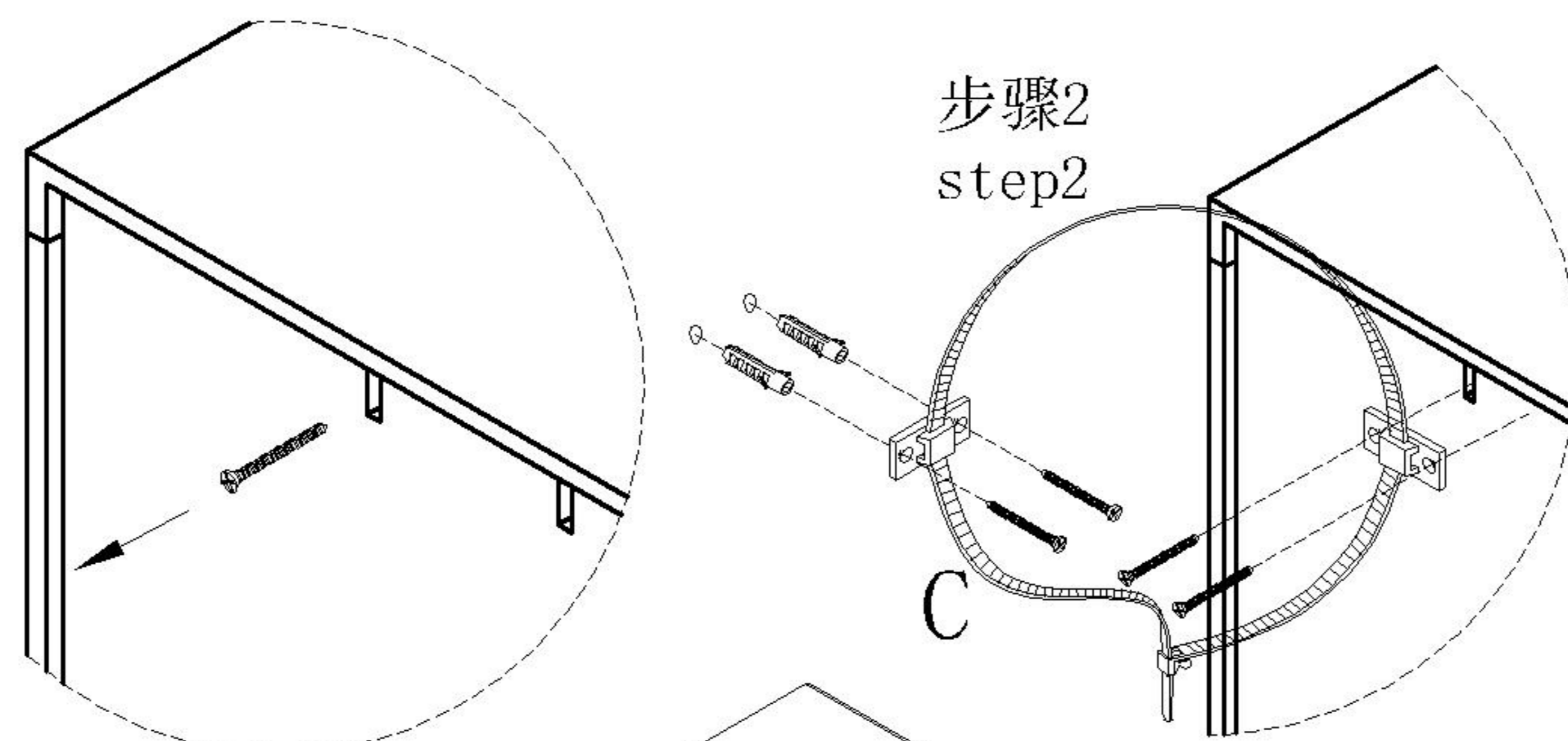
安装方法/
Installation method



墙体
Wall

步骤1
step1

步骤2
step2

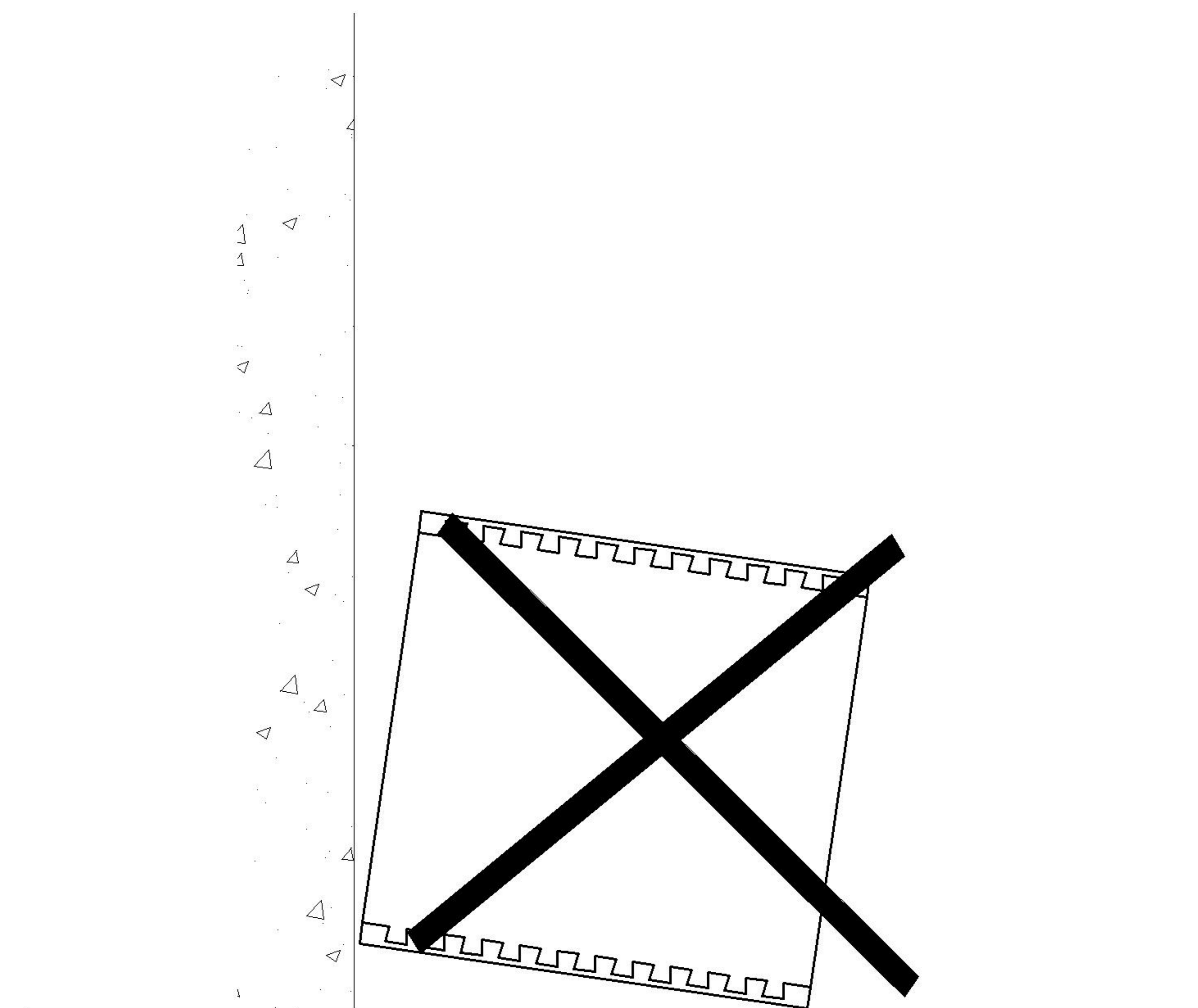


1

注意:

安装防倒器前需先把其中一颗背板螺丝卸出
Attention: Before installing the anti fall device, one of the back plate screws needs to be removed first

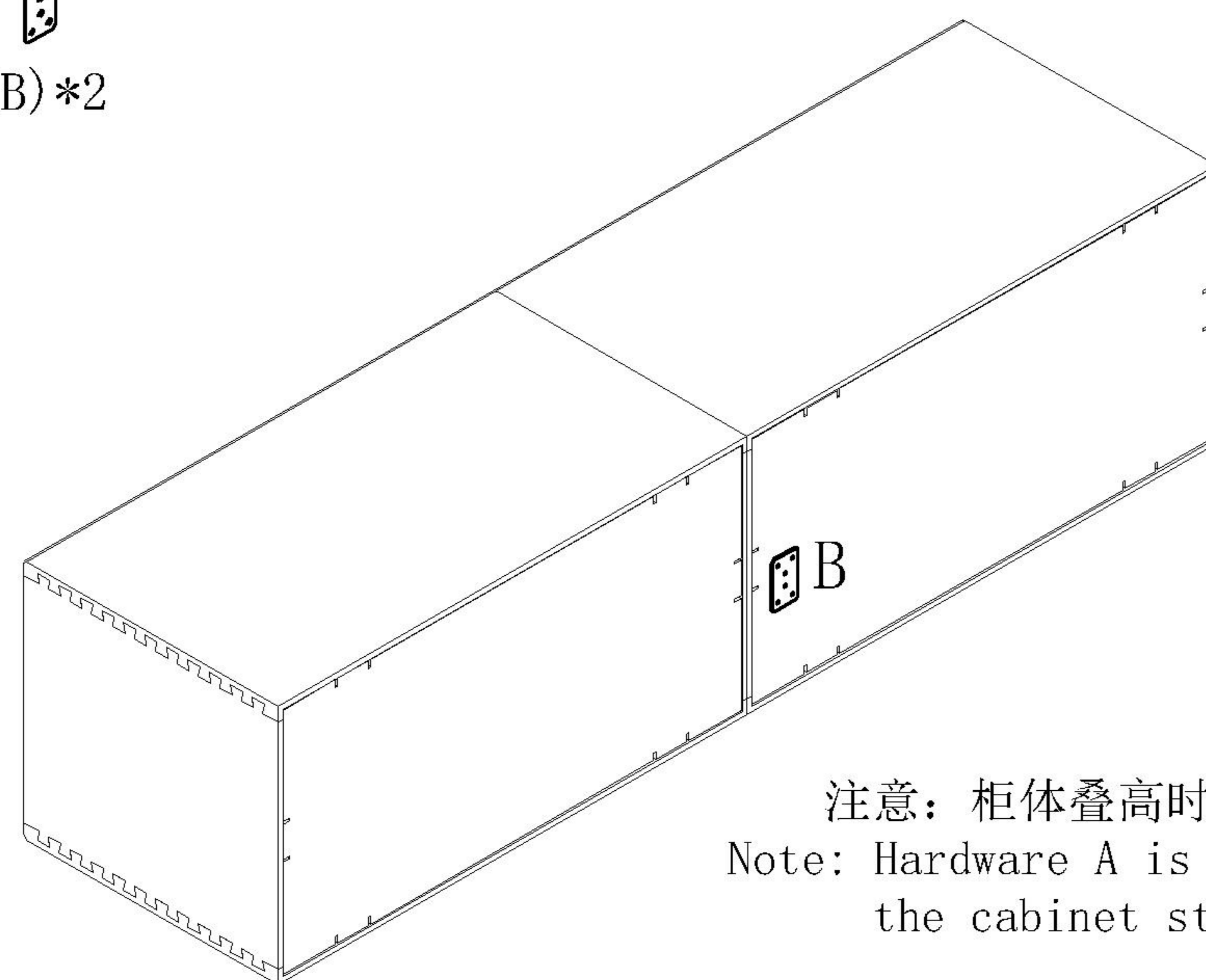
3



4



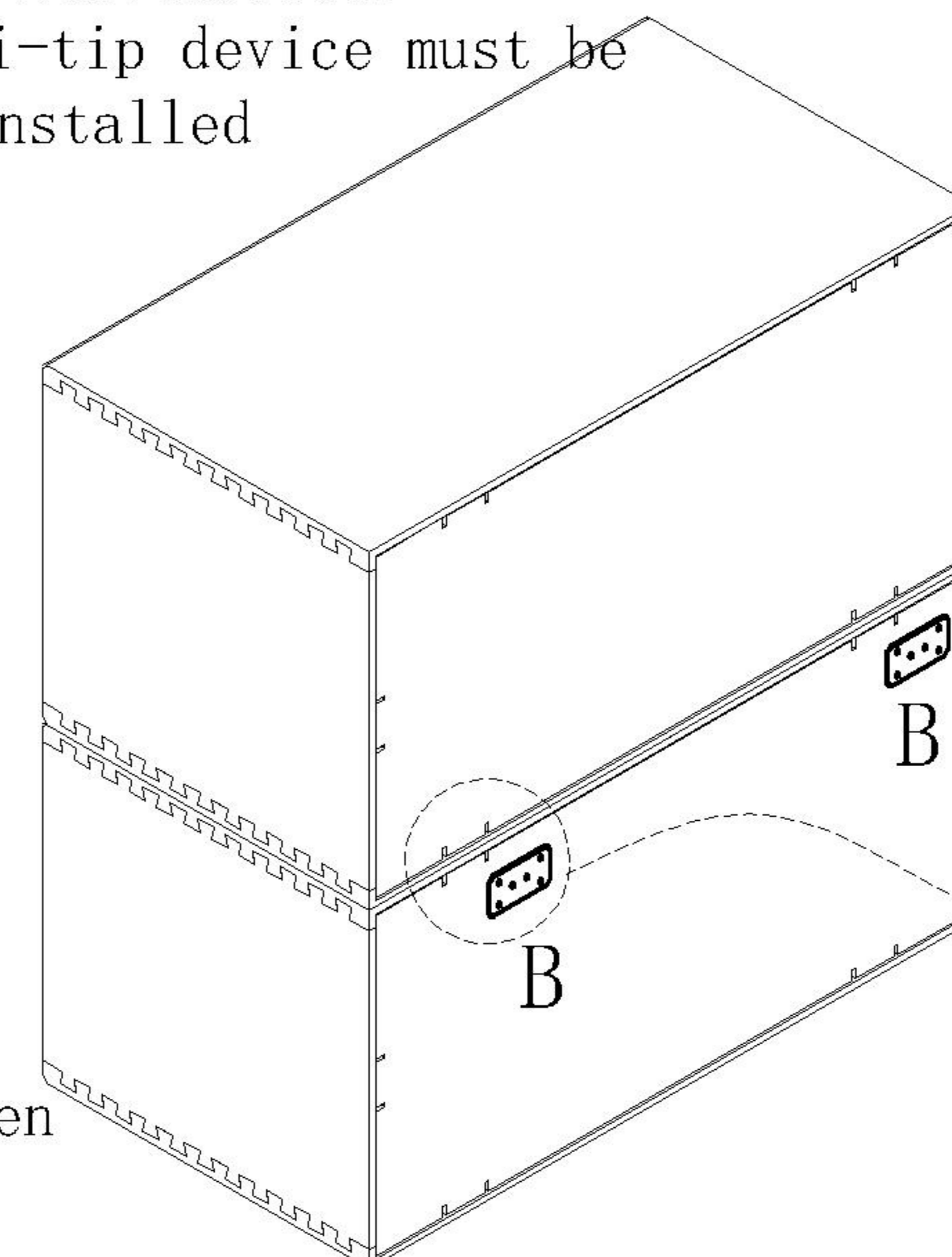
(B)*2



注意: 须安装防倒器

Note: An anti-tip device must be installed

或者
OR



注意: 柜体叠高时不需安装五金A
Note: Hardware A is not required when the cabinet stack is high

注意: 1. 当选购多个柜体组合摆放时需安装五金B

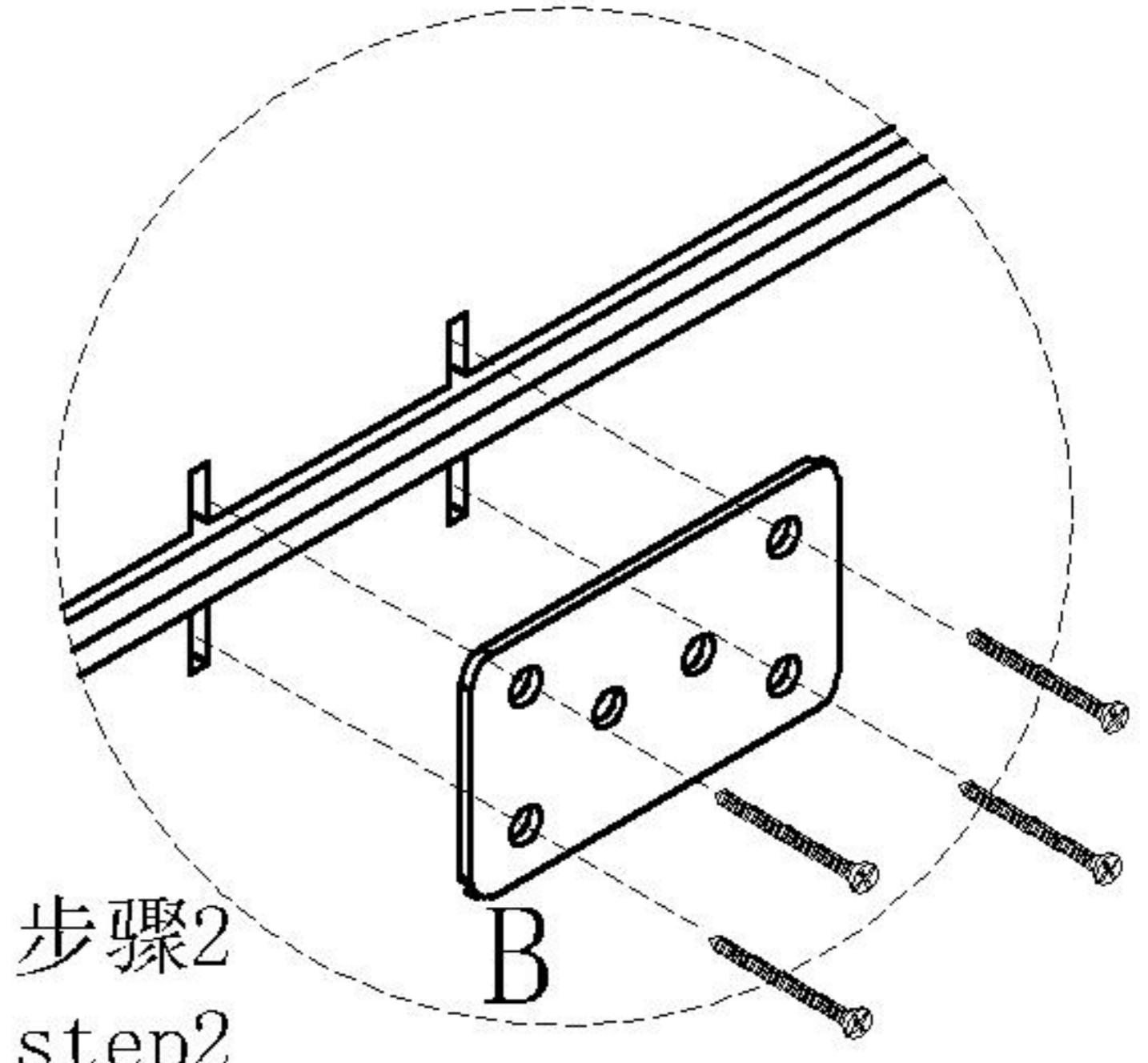
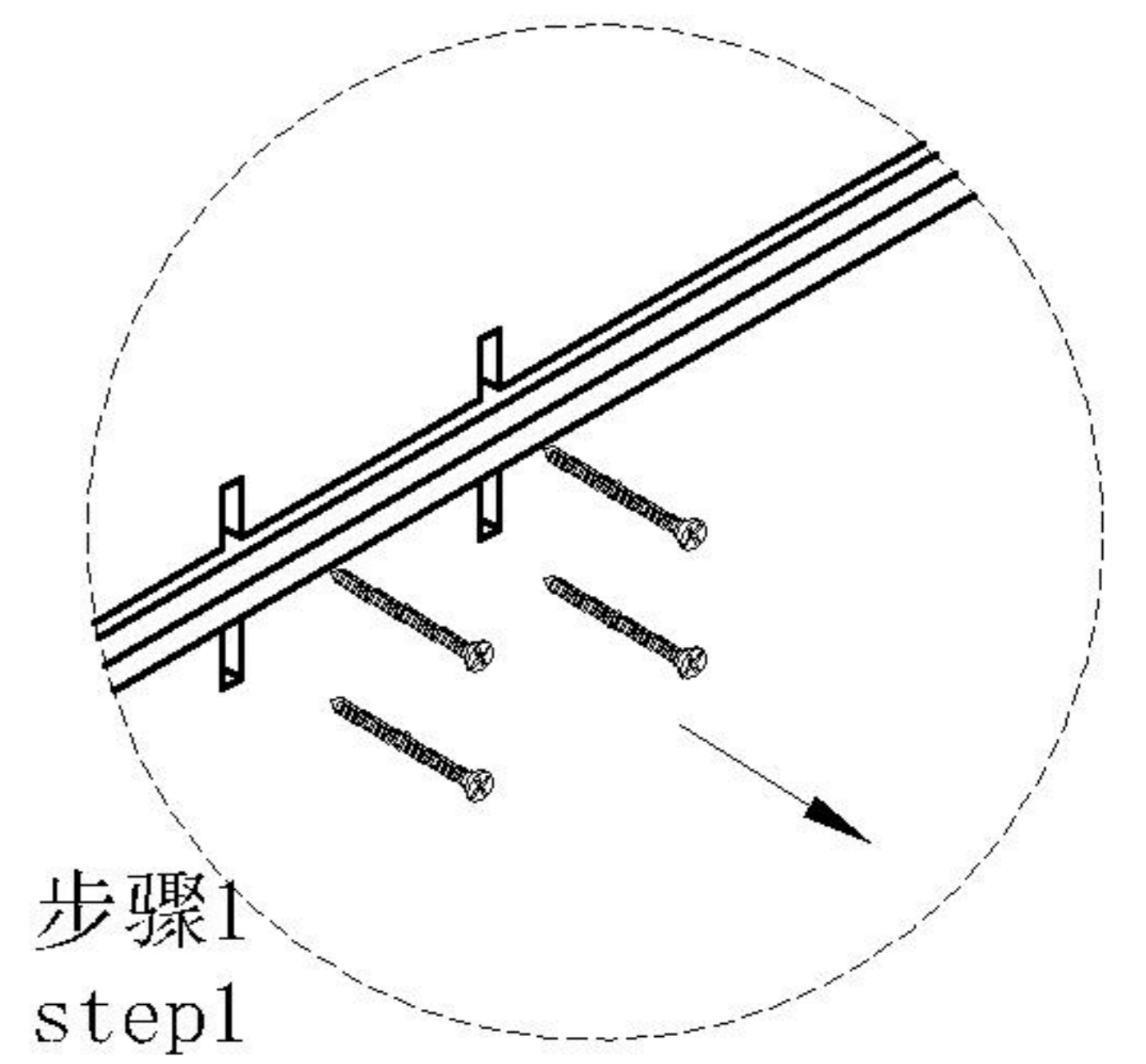
2. 安装五金B前需先把背板螺丝卸下, 再用卸下的背板螺丝锁紧五金B

Attention:

1. When selecting and using multiple cabinet combinations for placement, hardware B needs to be installed
2. Before installing hardware B, remove the back plate screws first, and then lock hardware B with the removed back plate screws

步骤1
step1

步骤2
step2



5