

# LINSY 林氏家居

## 五金表/Hardware list

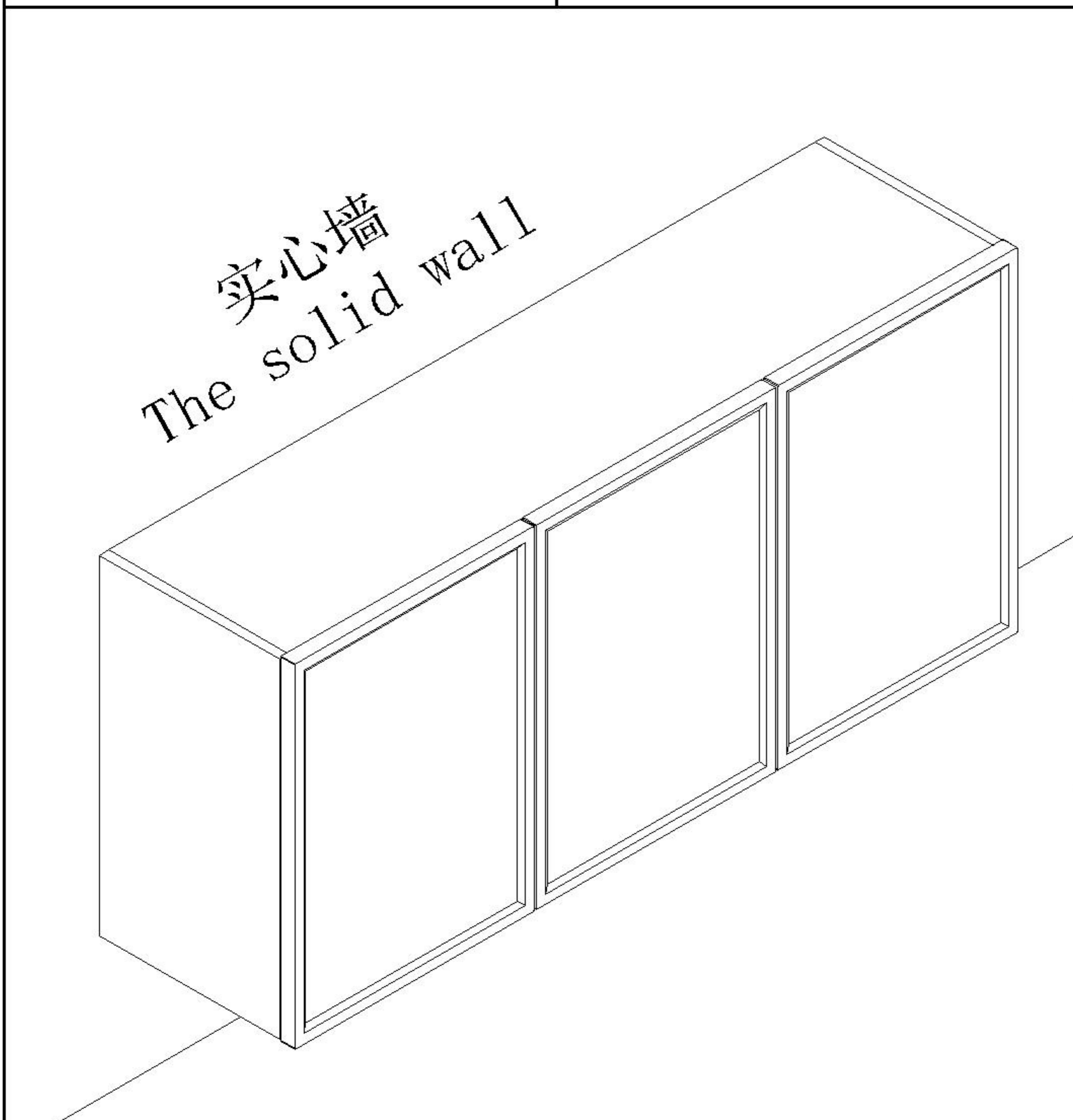
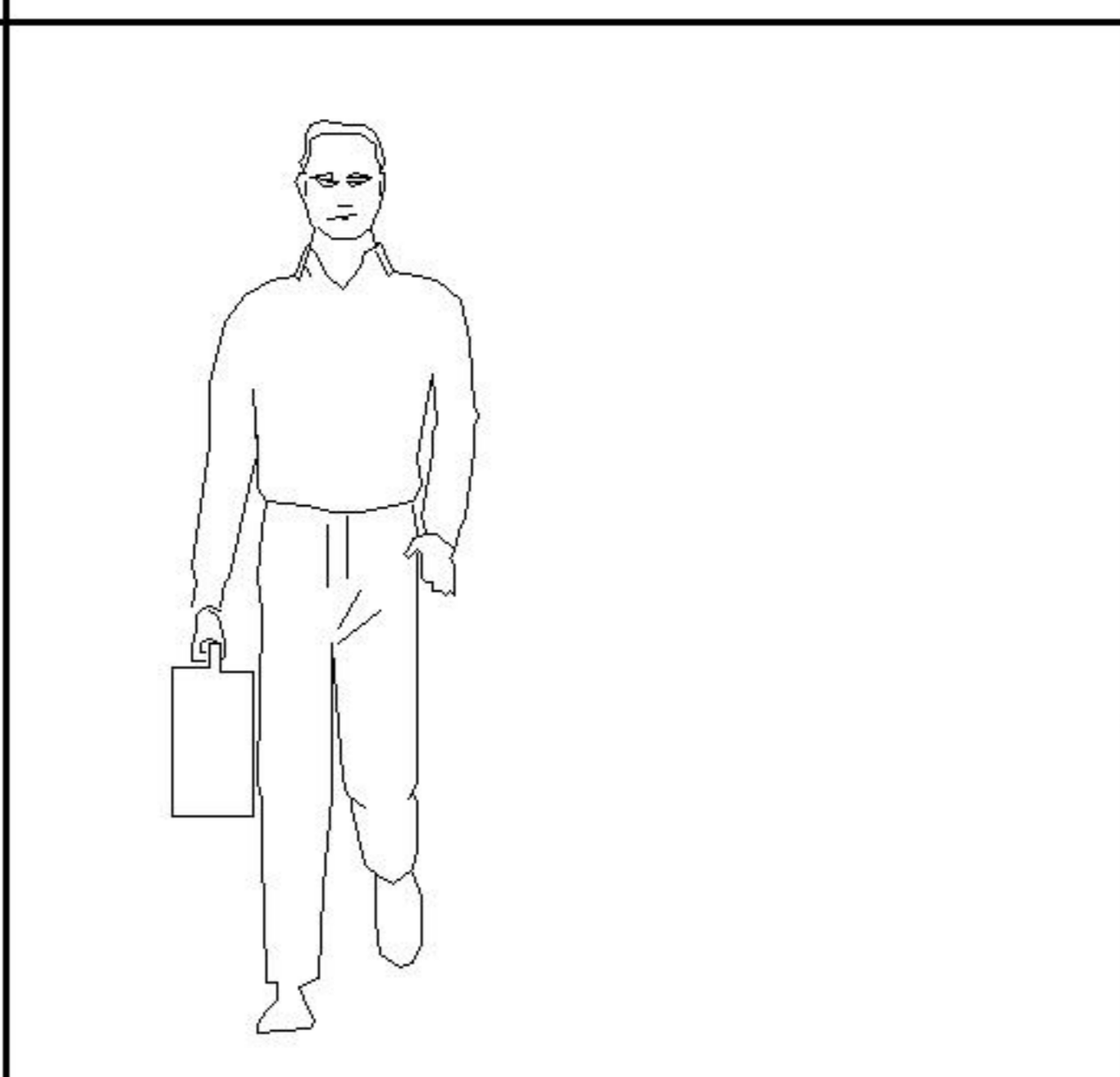
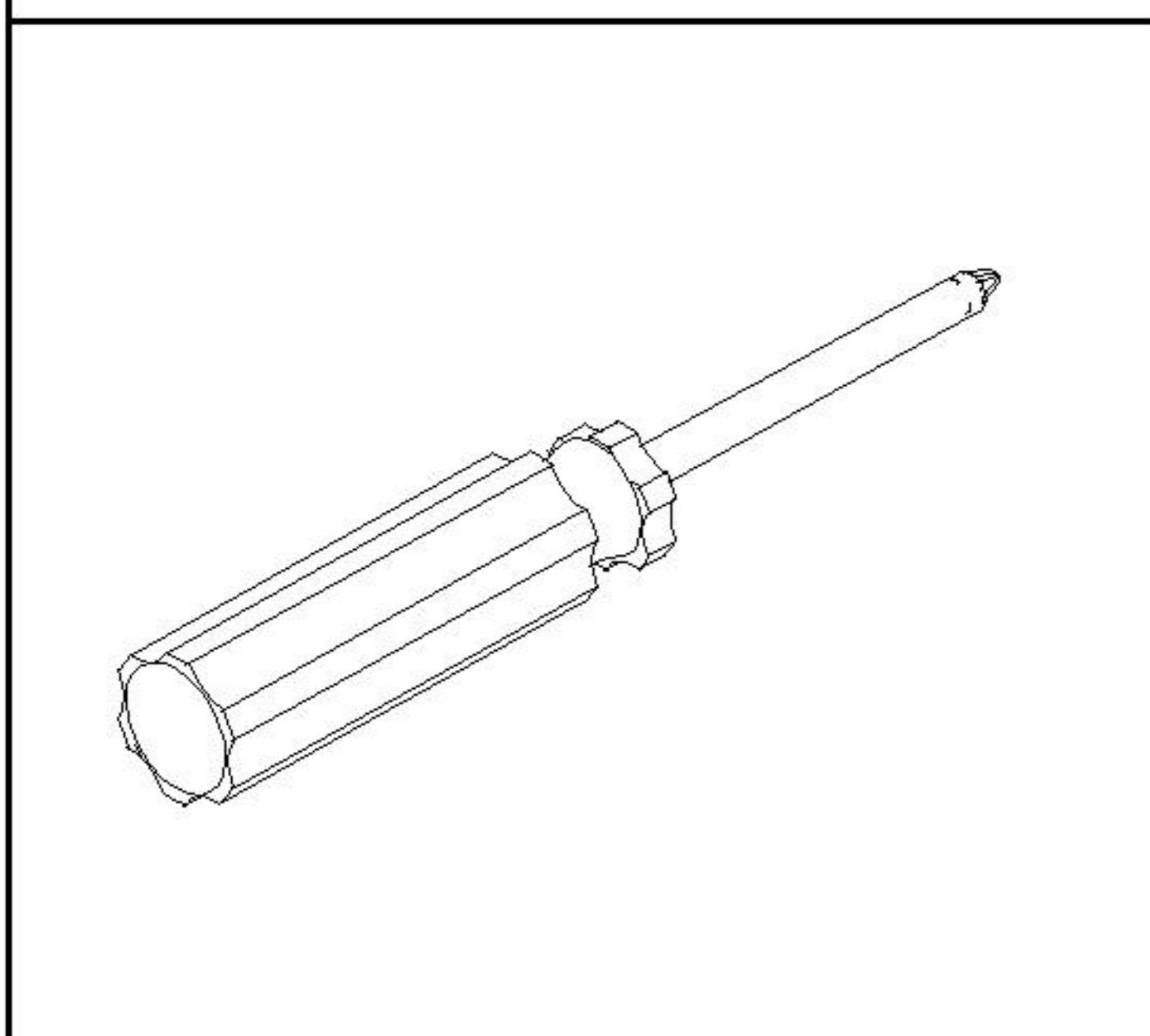
## 部件表/Parts List

### 安装示意图/Assembly Instruction

产品名称 Model NO. T09G-A

产品规格 Specification 1197\*321\*550 mm

安装工具 Tool 安装人数 Installer



注意：本产品需挂墙使用  
Note: This product needs to be used on the wall

(A)* 21 大三合一锁饼(15mm) Three-in-one large lock	(B)* 21 二合一螺杆(35mm) 2-in-1-screw	(C)* 21 木榫Ø8x30mm wood tenon	(D)* 6 缓冲门铰中弯-Ø40 Hinge-middle bending
(E)* 6 L型角码14x21x1.5 L-shaped corner code	(F)* 13 自攻螺丝M3.5x12mm Self-tapping screw	(G)* 11 背板扣 Back Plate Buckle-White	(H)* 11 自攻螺丝M3.5x16mm Self-tapping screw
	(J)* 8 自攻螺丝M4x25mm Self-tapping screw	(K)* 1 夹板条 Splint strip, L=1166	(L)* 1 挂墙吊码 Hang a wall hanging yards

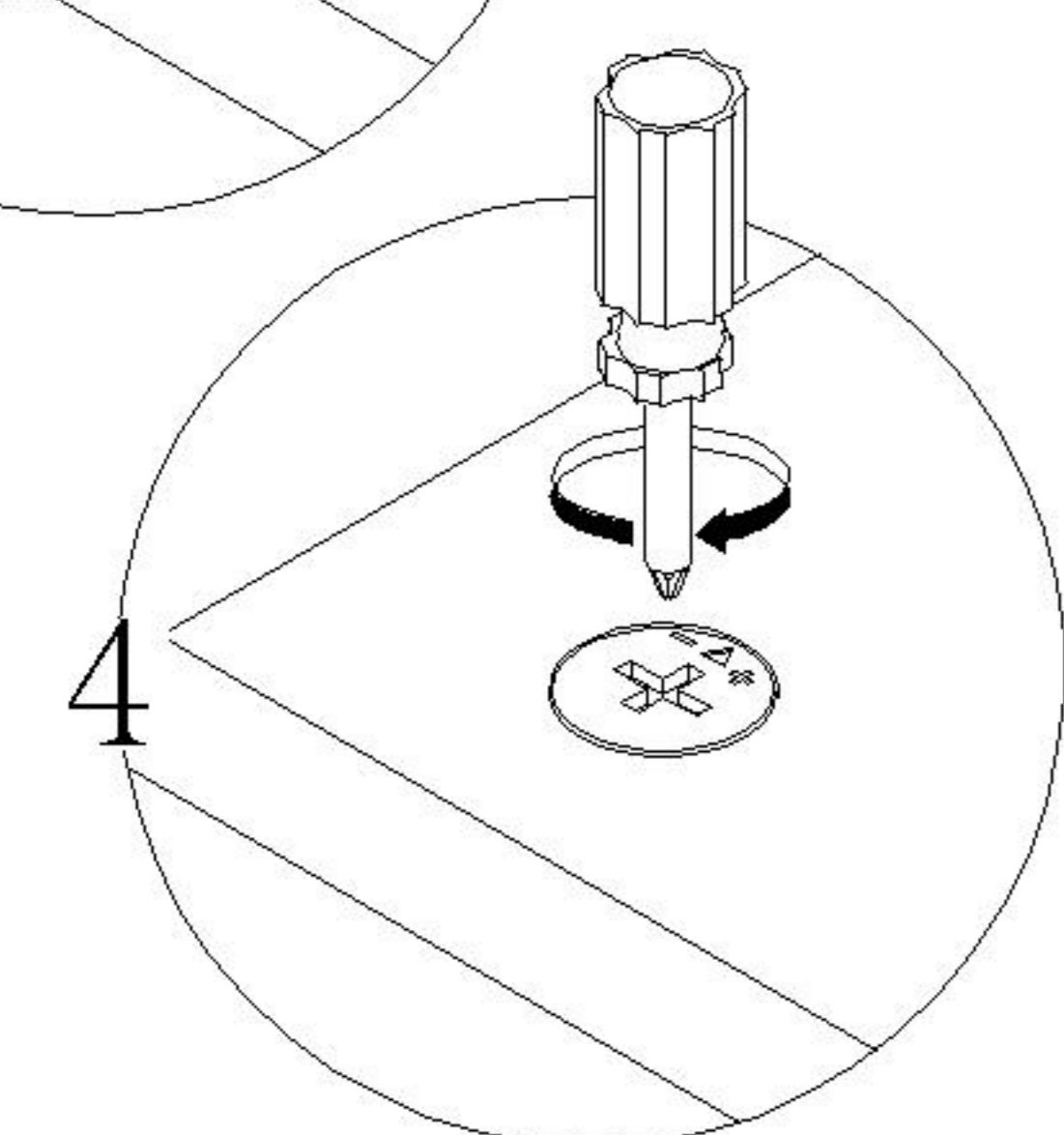
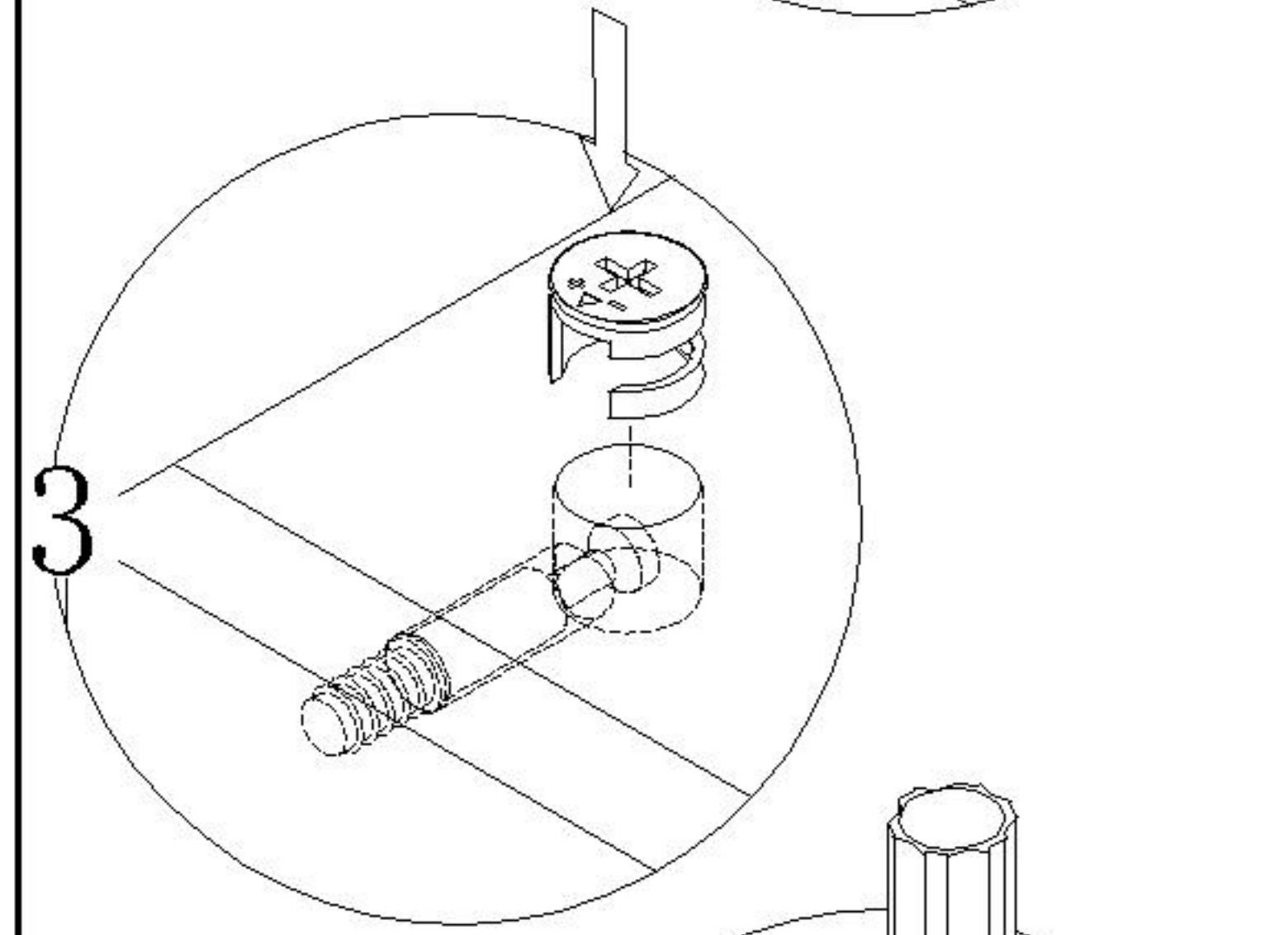
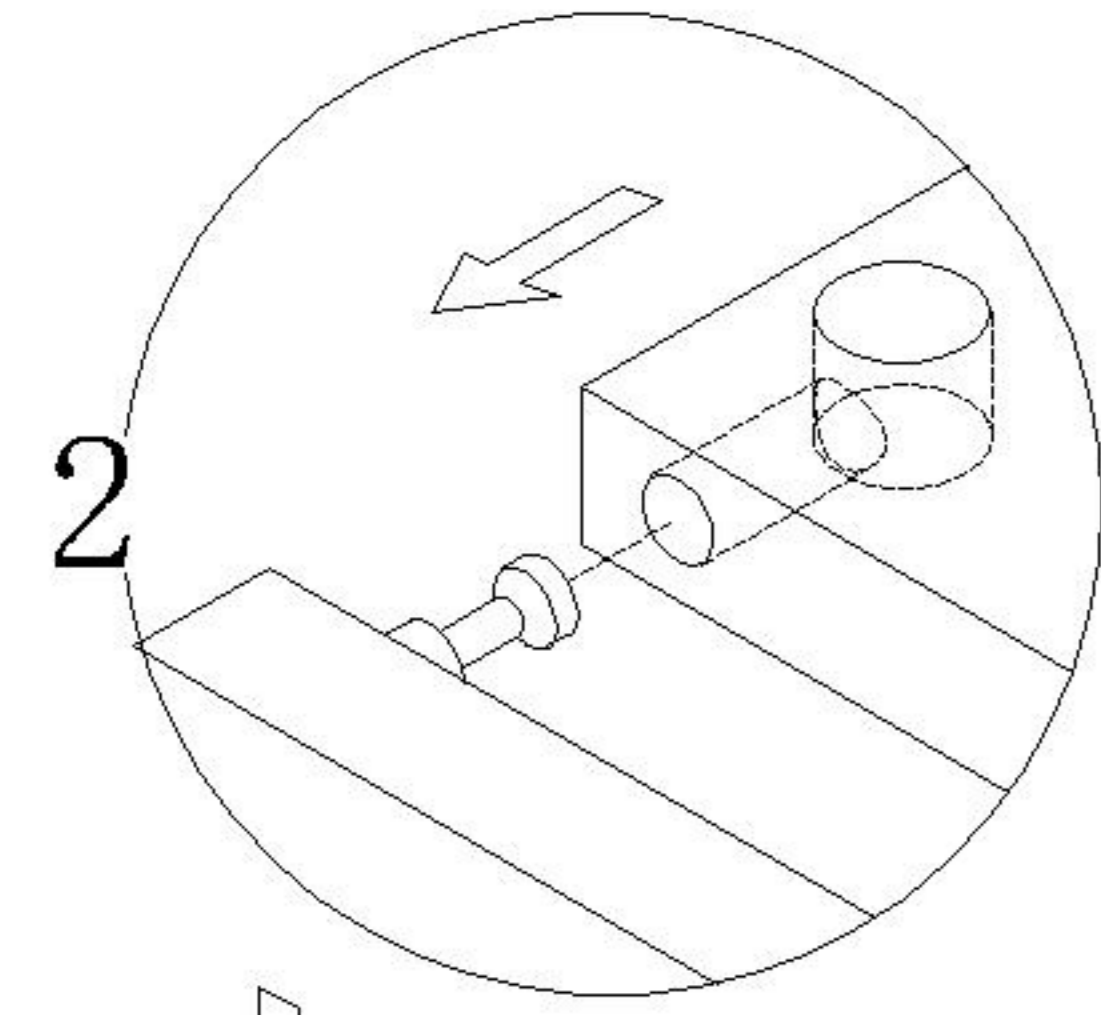
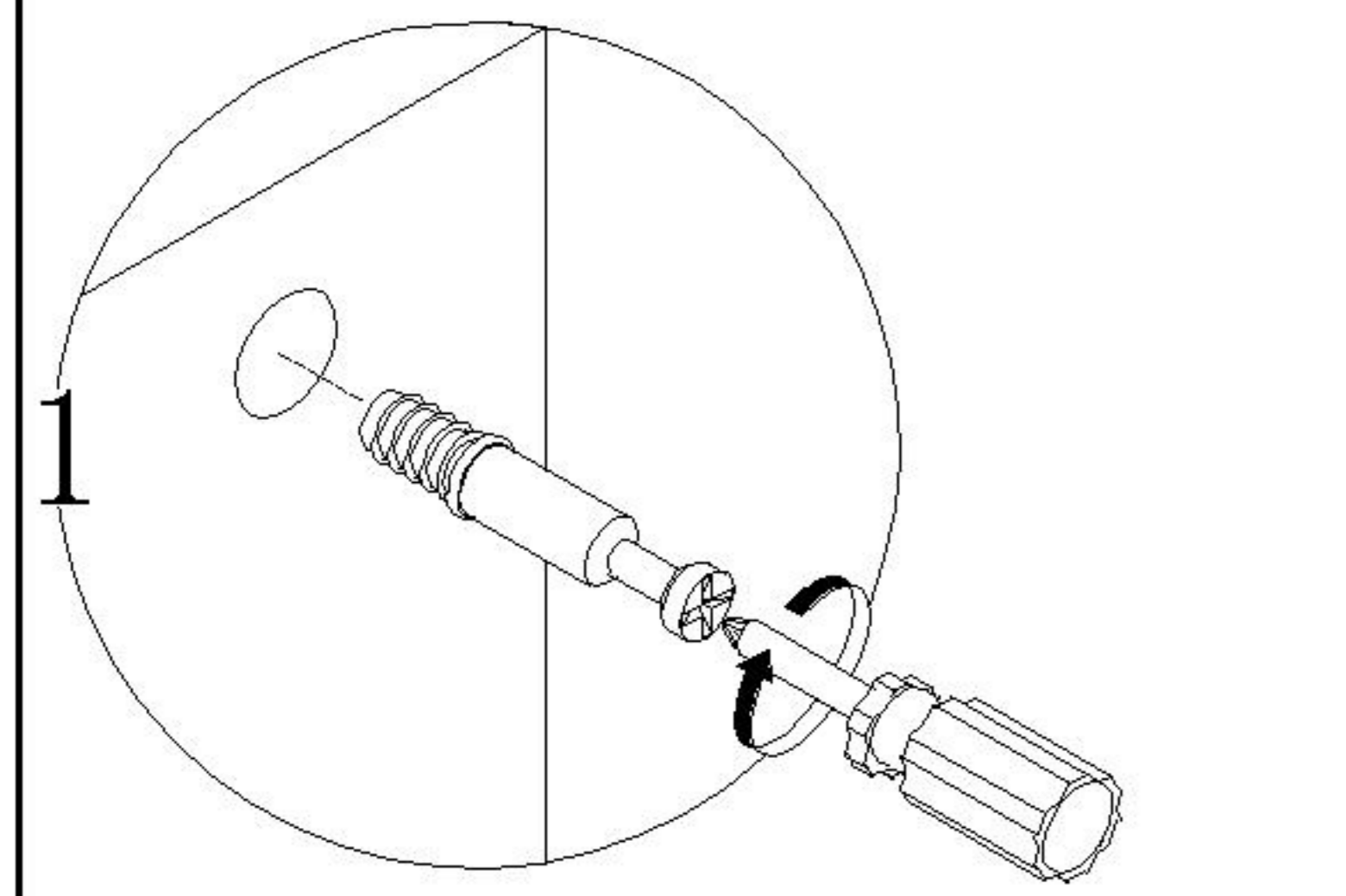
五金L内包含以下五金  
Hardware L contains the following hardware

(M)* 1 左挂钩 Left hook	(N)* 1 右挂钩 Right hook	(O)* 1 左孔盖 The left hole cover	(P)* 1 右孔盖 Right hole cover
(Q)* 2 挂片 coupon	(R)* 4 膨胀螺丝 Expansion screws		

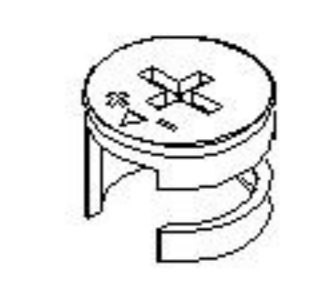
编号NO.	名称Name	规格 (mm) Specification	数量QTY	材质Material
①	顶板 Top board	1167*298*15	1	三胺板Melamine
②	底板 Bottom board	1167*298*15	1	三胺板Melamine
③	左侧板 Side board(L)	544*298*15	1	三胺板Melamine
④	右侧板 Side board(R)	544*298*15	1	三胺板Melamine
⑤	中隔板 Middle clapboard	514*276*15	1	三胺板Melamine
⑥	左固定层板 Fixed shelf(L)	766*276*15	1	三胺板Melamine
⑦	右固定层板 Fixed shelf(R)	386*276*15	1	三胺板Melamine
⑧	上背板 Upper back board	1177*261*5	1	三胺板Melamine
⑨	下背板 Lower back board	1177*261*5	1	三胺板Melamine
⑩	门板 Door board	550*396*23	3	三胺板Melamine

T09G-A

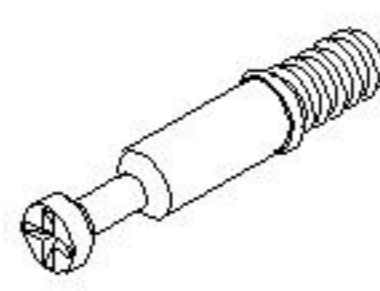
安装方法/  
Installation method



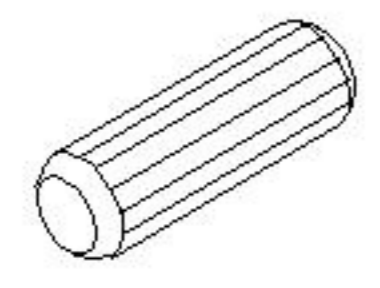
大二合一  
two-in-one



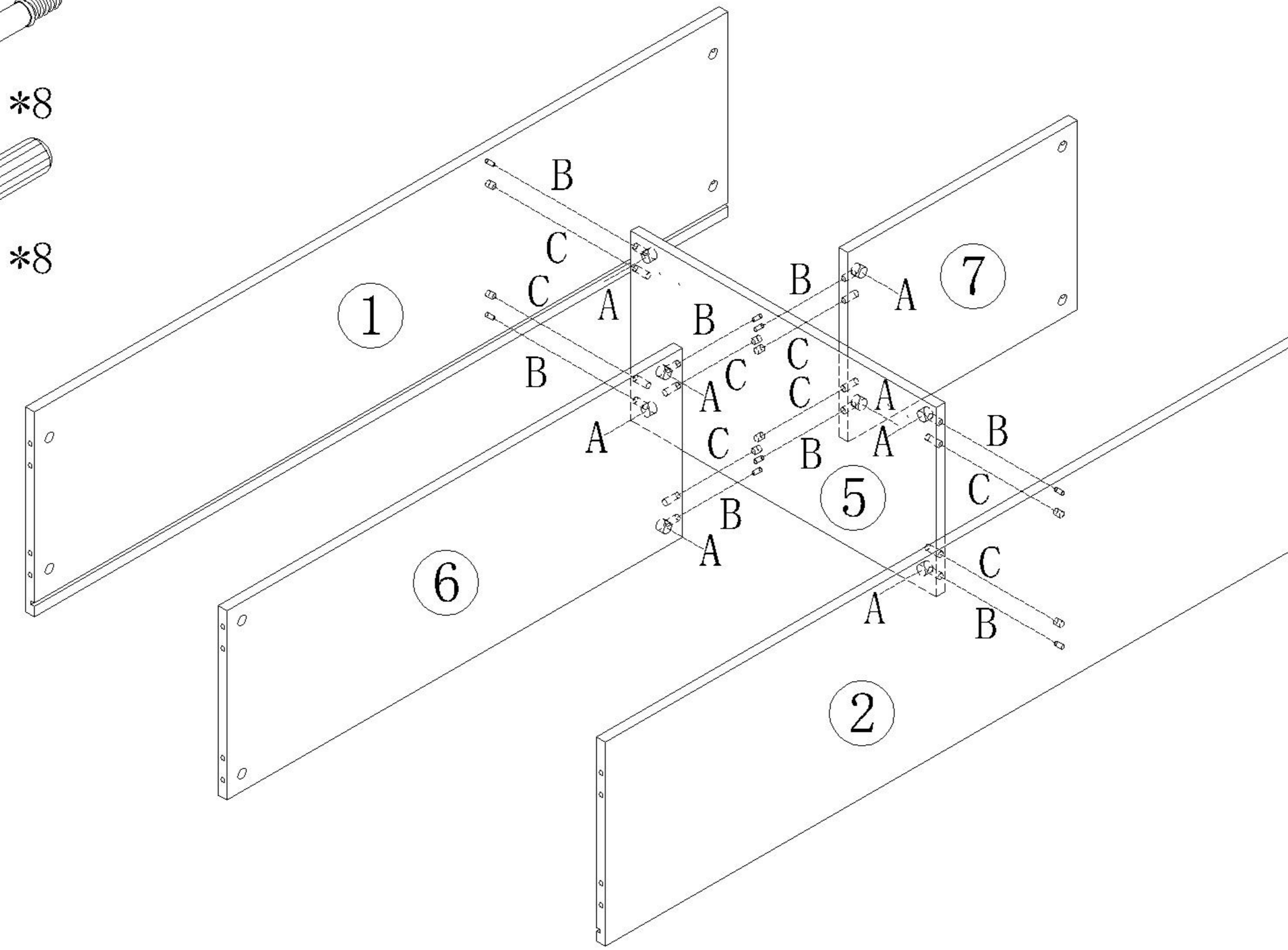
(A)\*8



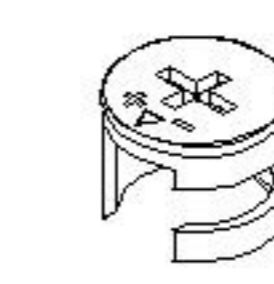
(B)\*8



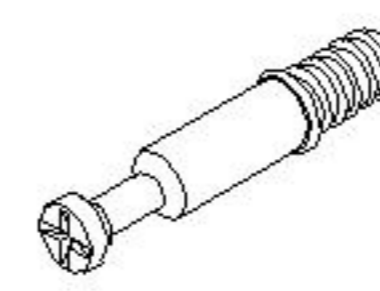
(C)\*8



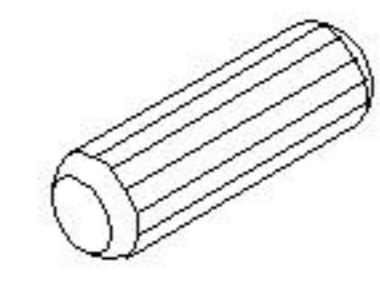
1



(A)\*6



(B)\*6

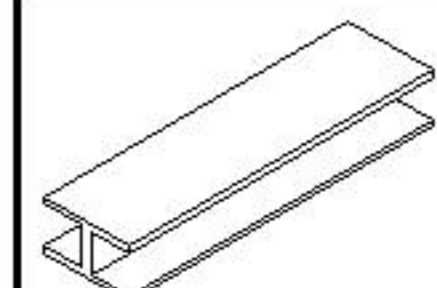
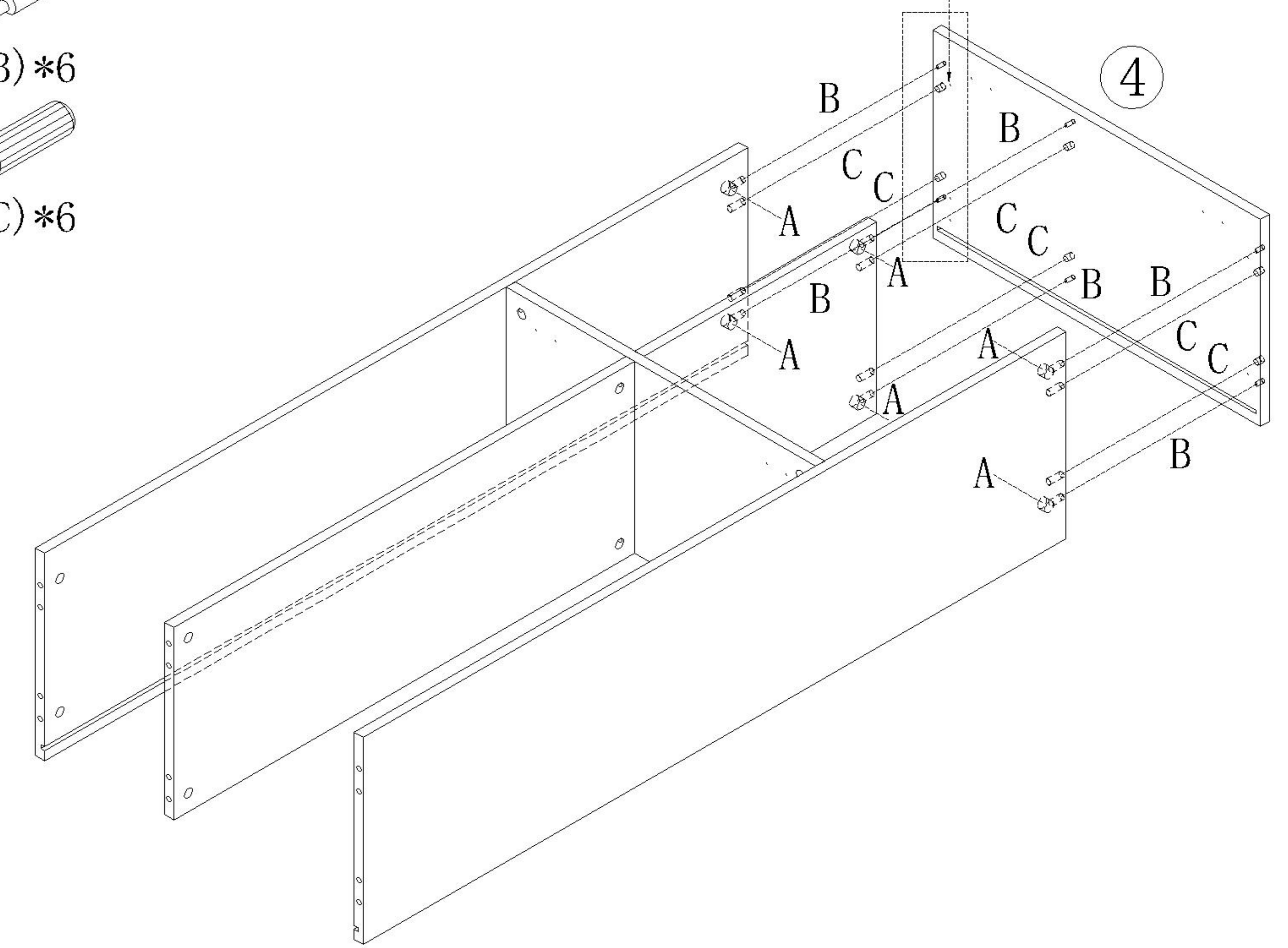


(C)\*6

注意：此引孔位置为上端，请勿安装错误

Note: The pilot hole is located at the upper end, please do not install it incorrectly

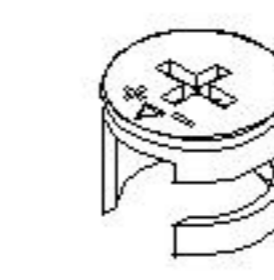
2



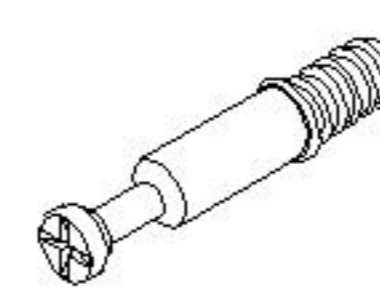
(K)\*1

注意：缺口位置朝上，请勿安装错误  
Note: The notch is upward, please do not install incorrectly

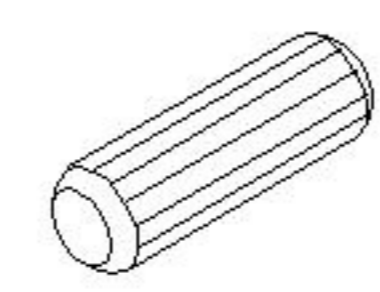
3



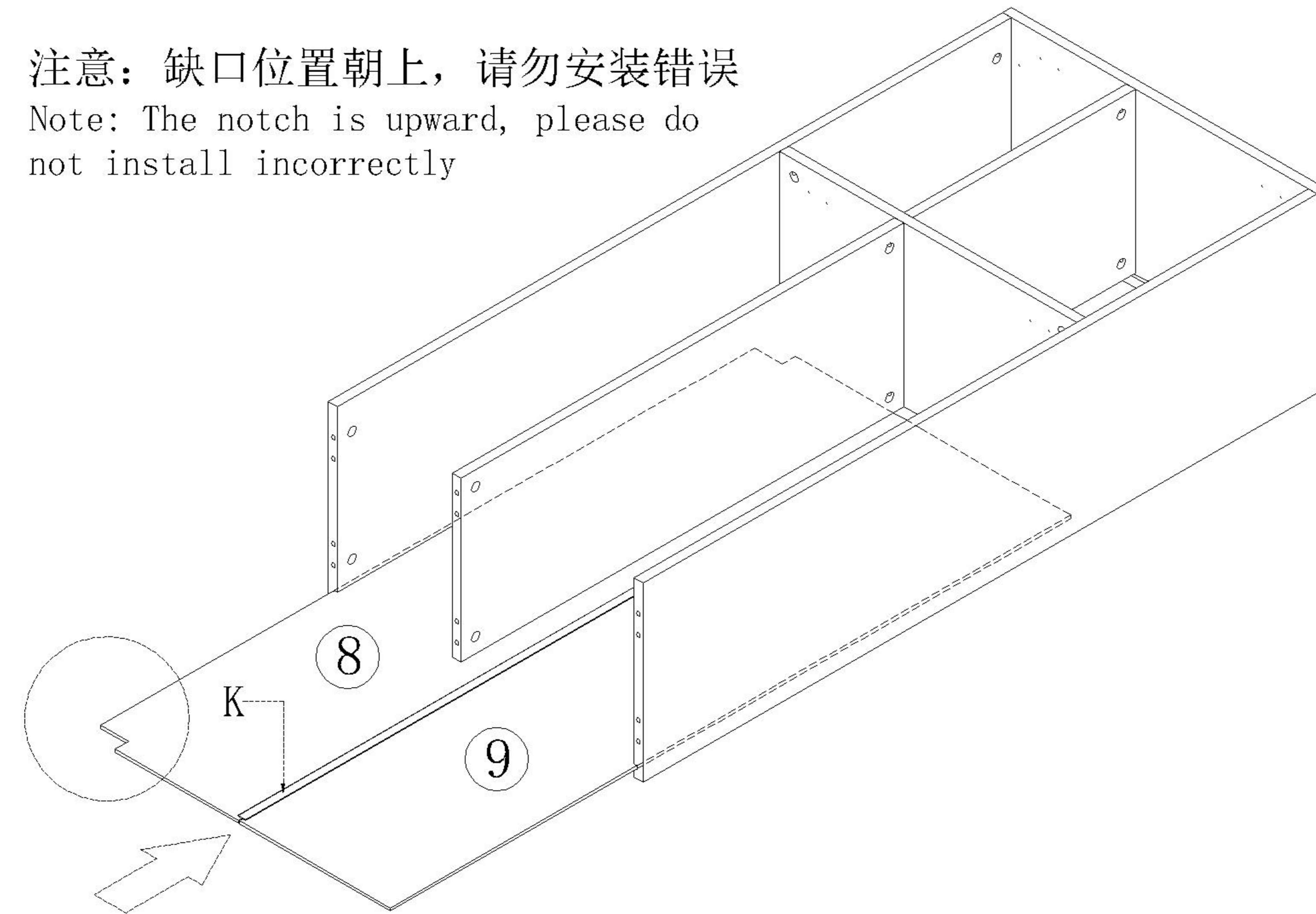
(A)\*6



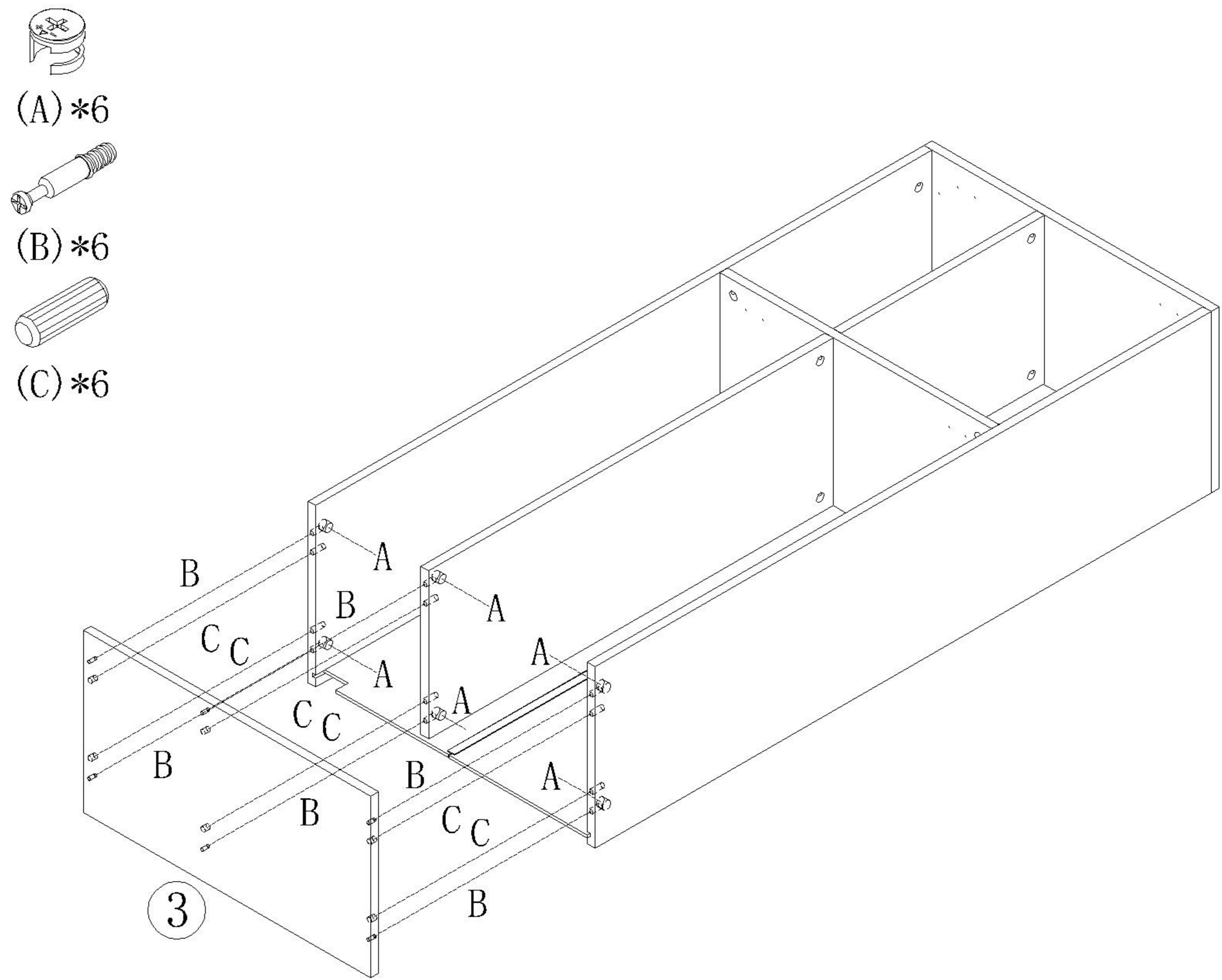
(B)\*6



(C)\*6

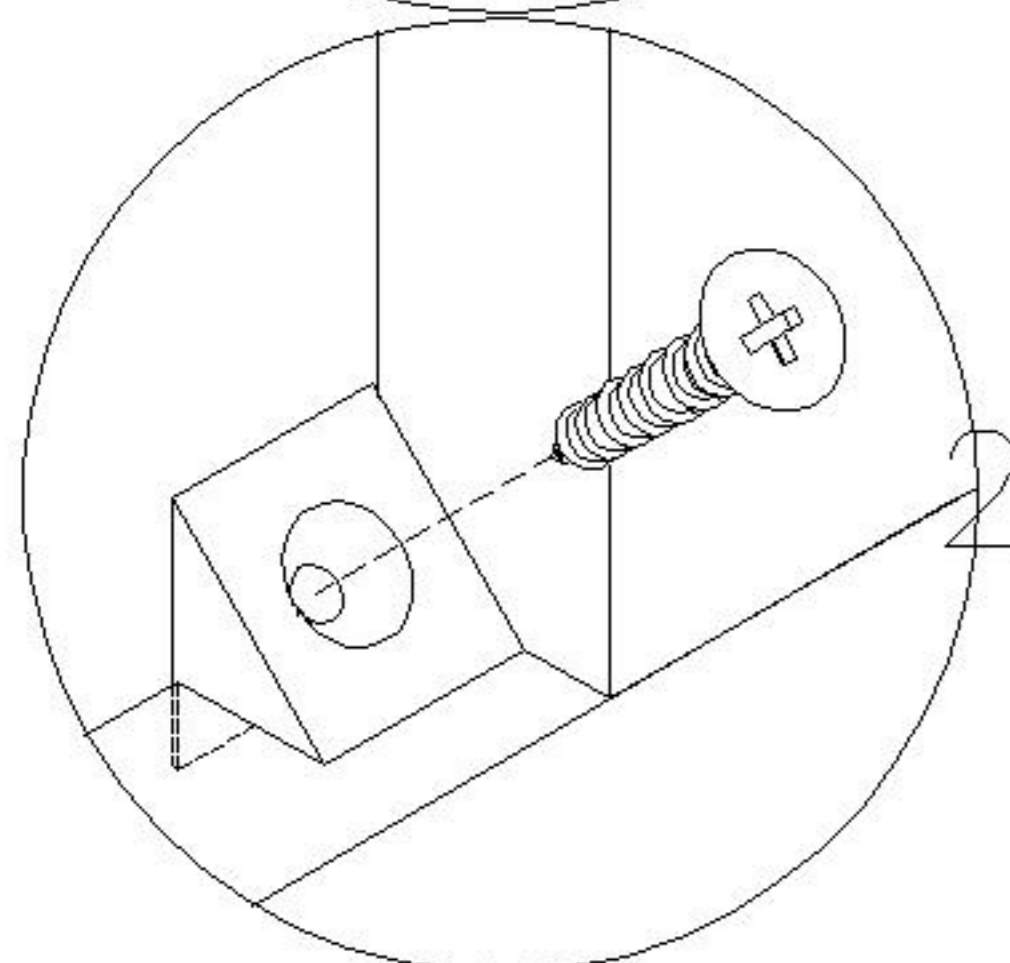
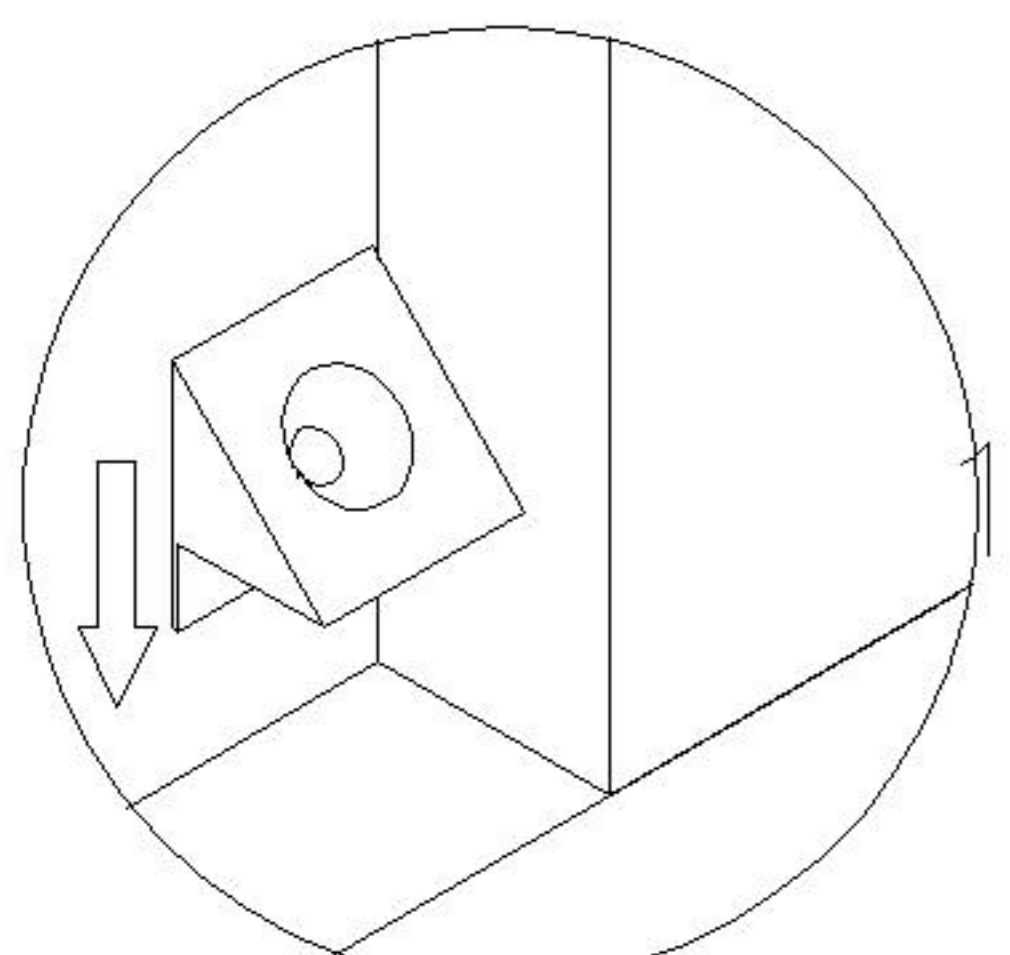


4



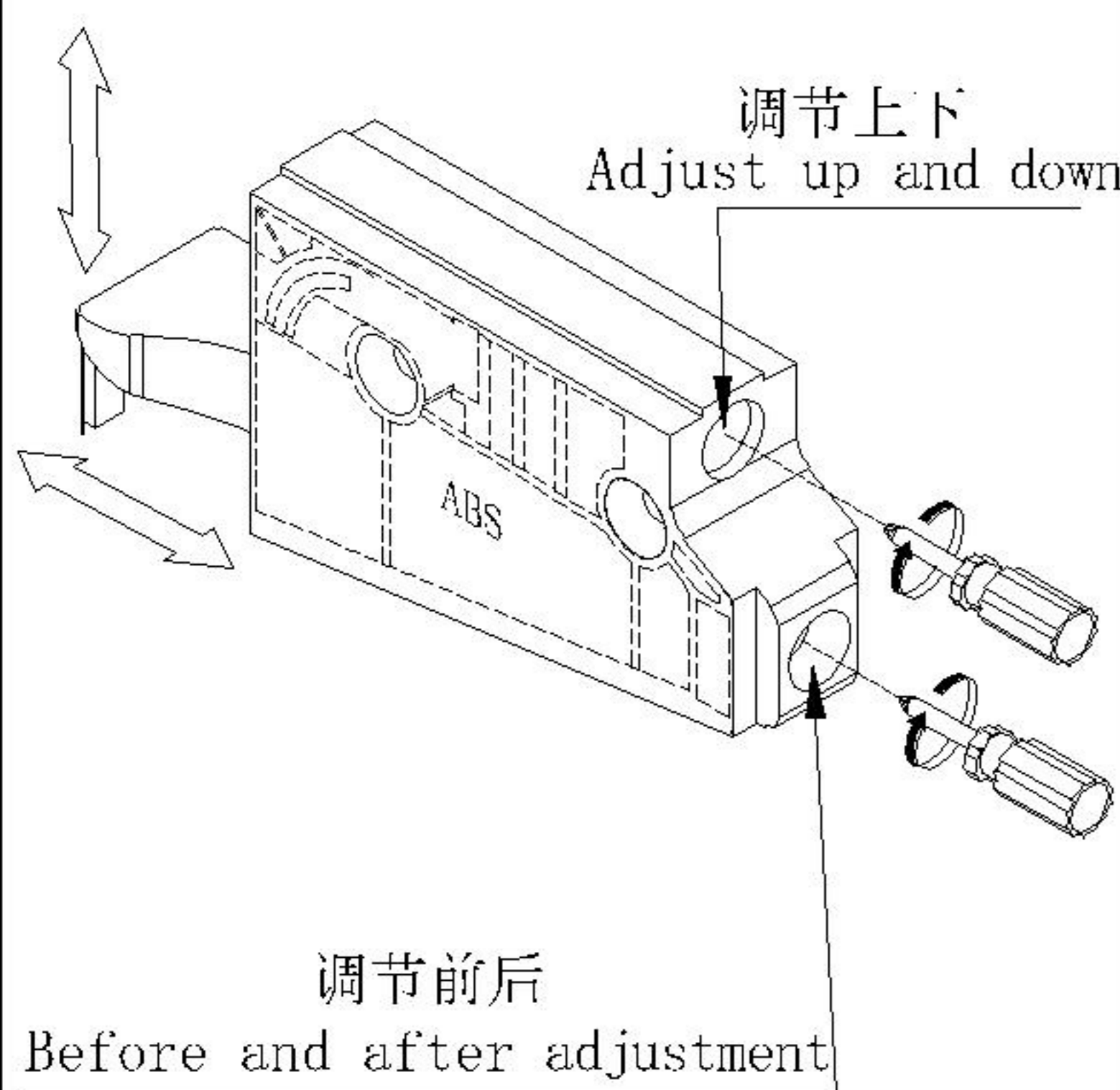
T09G-A

安装方法/  
Installation method



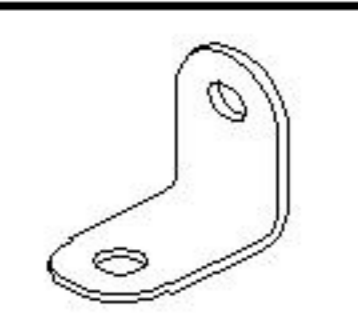
背板扣

Back Plate Buckle-White

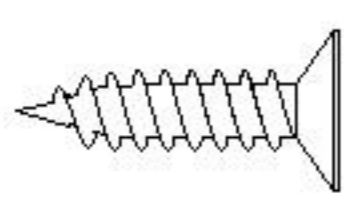


挂墙吊码

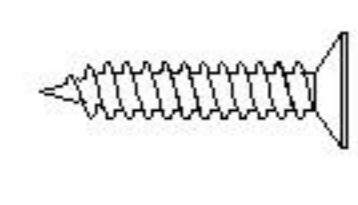
Hang a wall hanging yards



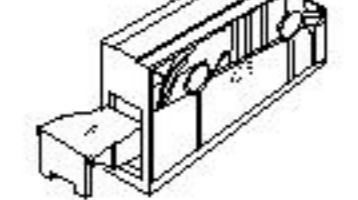
(E)\*6



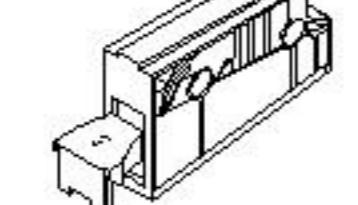
(F)\*12



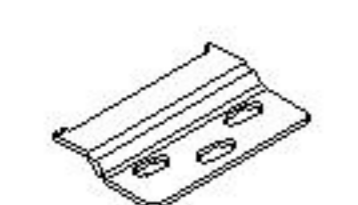
(J)\*4



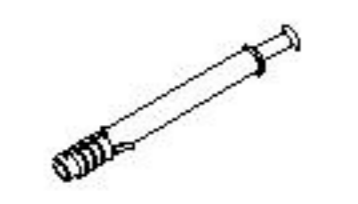
(M)\*1



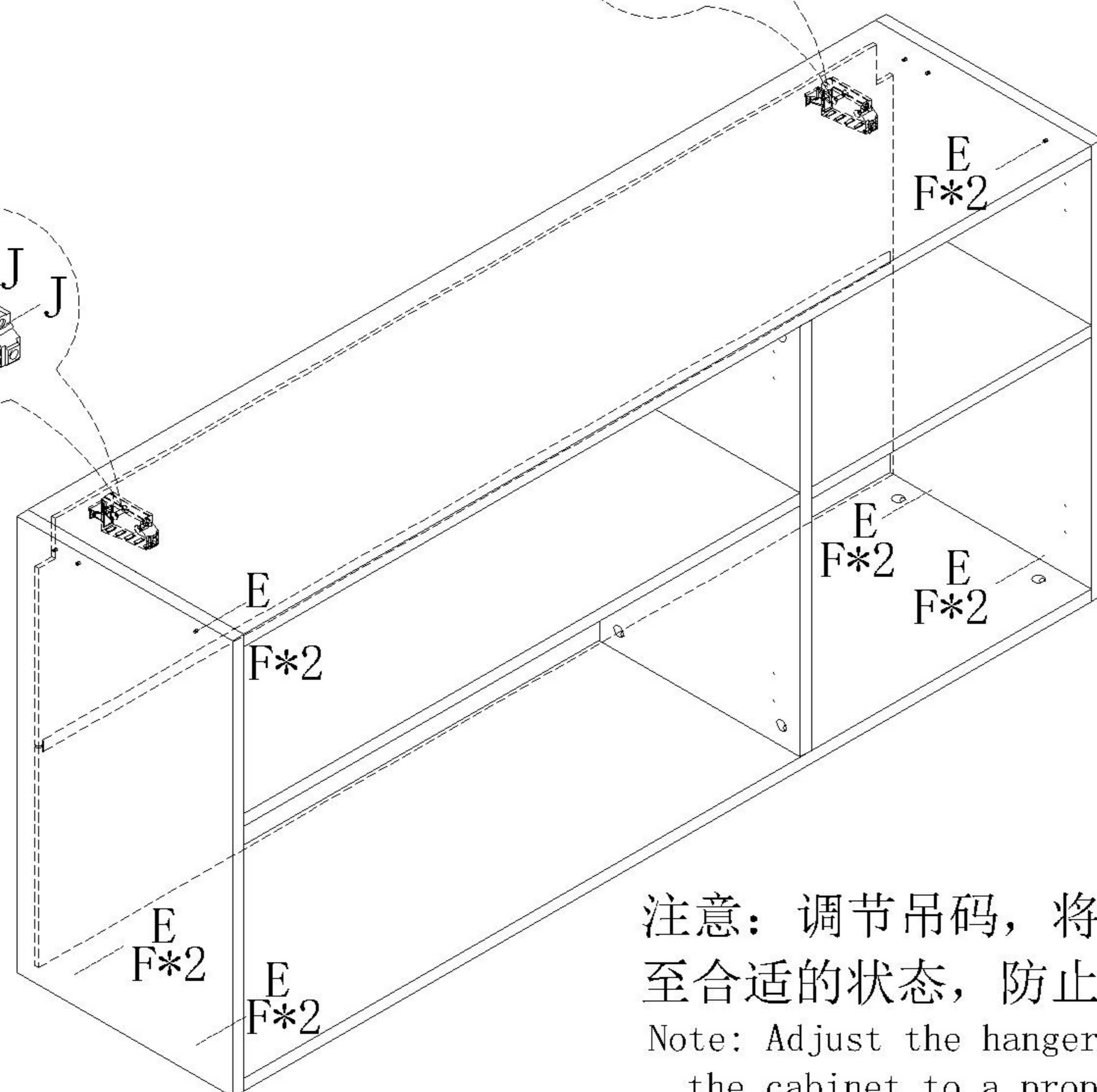
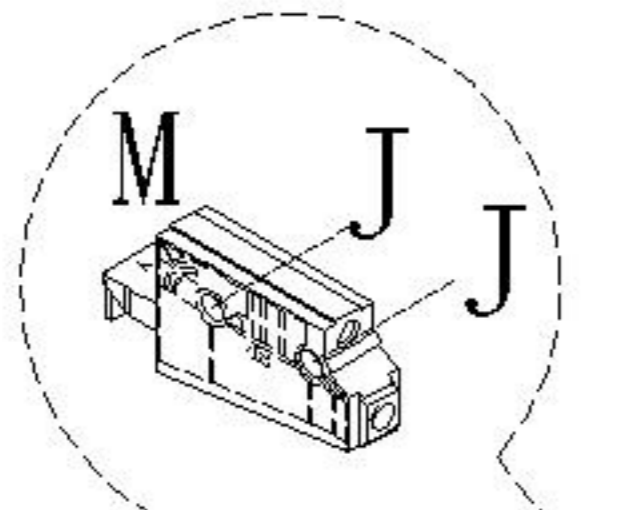
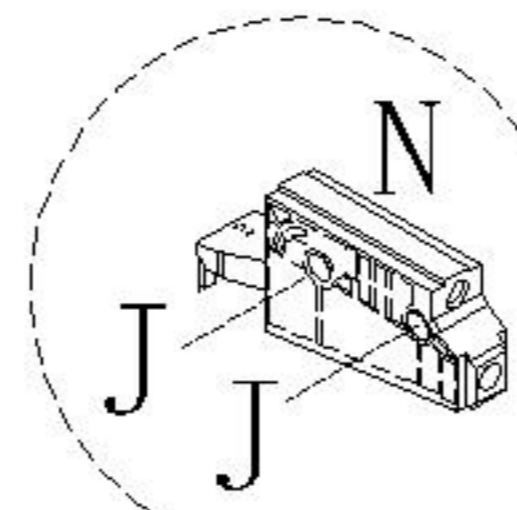
(N)\*1



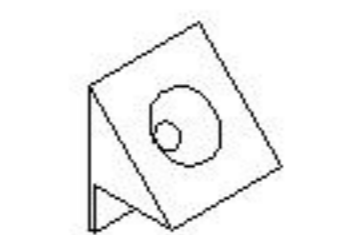
(Q)\*2



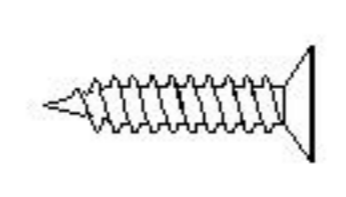
(R)\*4



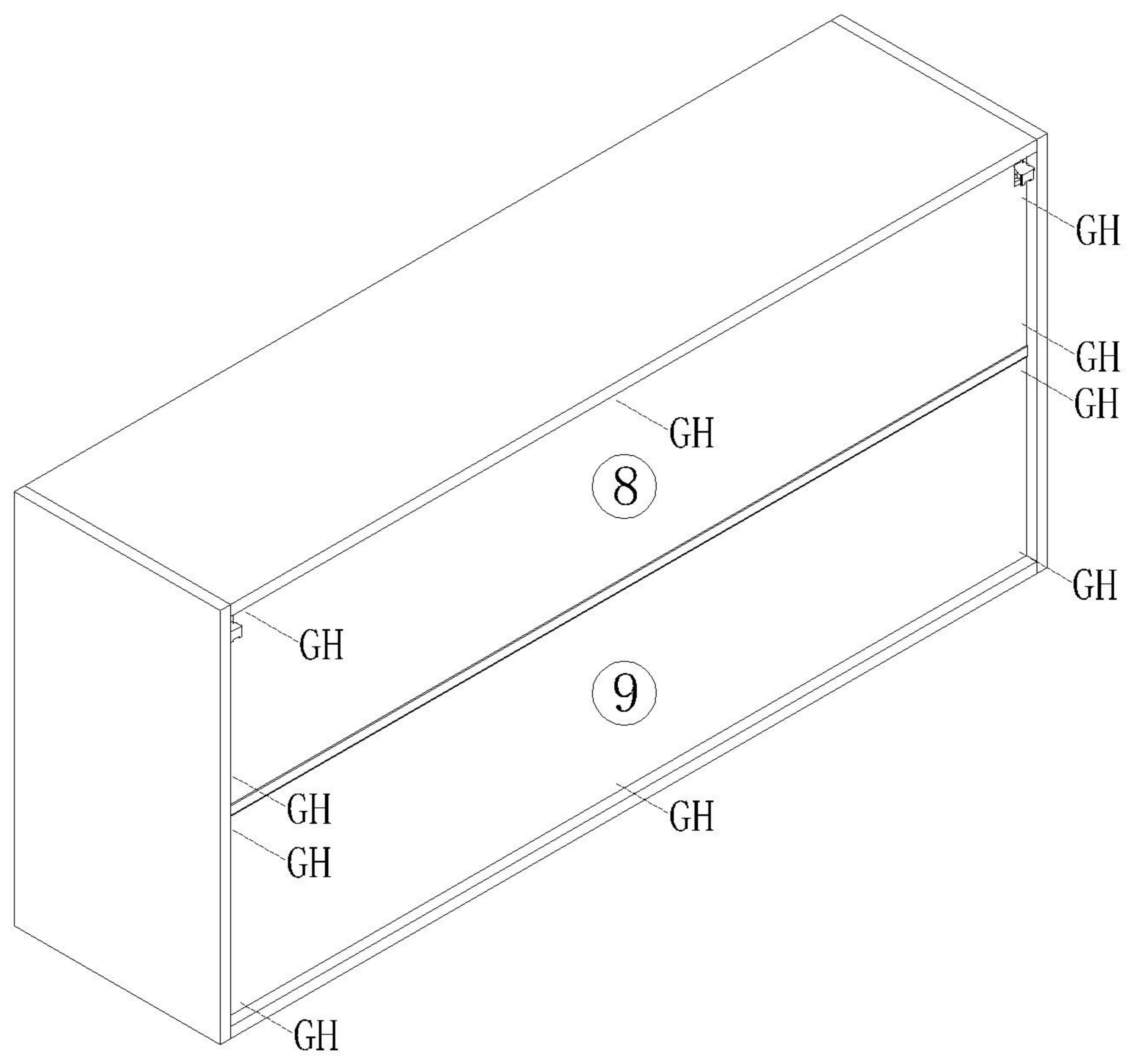
5



(G)\*10

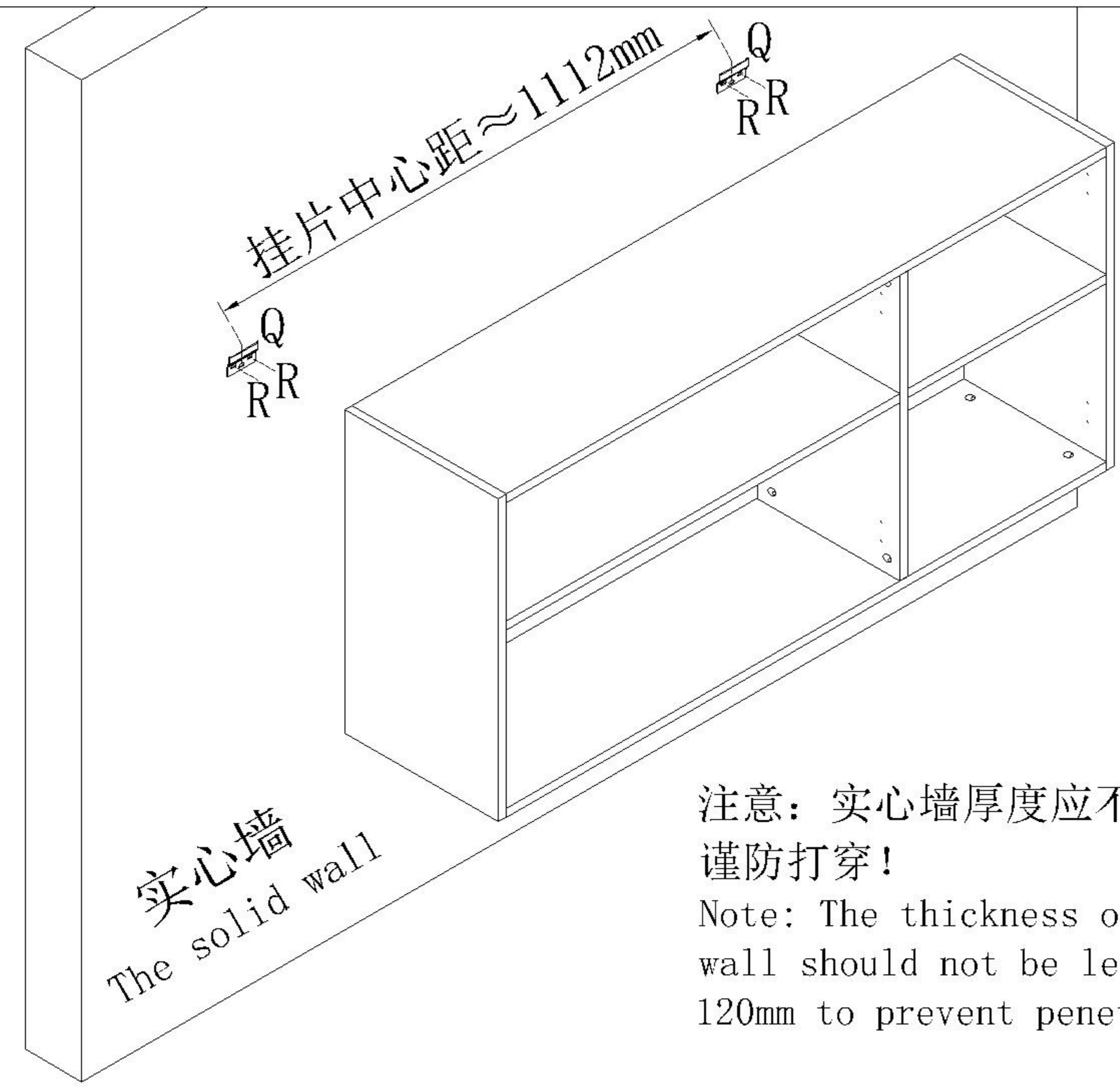


(H)\*10



6

注意：调节吊码，将柜体调整至合适的状态，防止柜体倾斜  
Note: Adjust the hanger and adjust the cabinet to a proper state to prevent the cabinet from tilting

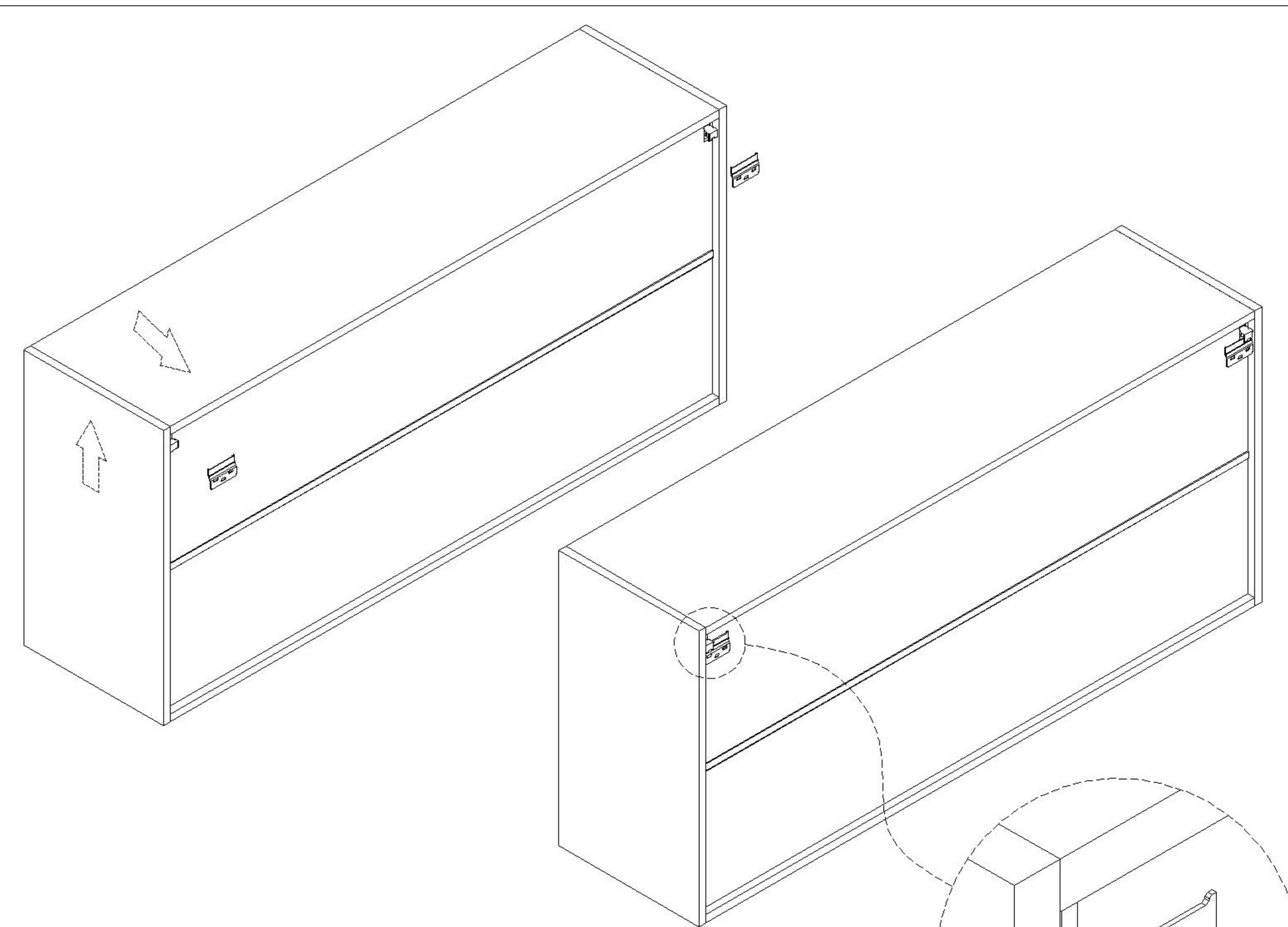


7

实心墙  
The solid wall

注意：实心墙厚度应不少于120mm，谨防打穿！  
Note: The thickness of the solid wall should not be less than 120mm to prevent penetration!

注：先根据个人摆放喜好，选择合适高度，用冲击钻在墙体同一水平位置打 $\phi 8*85$ mm孔，如图为挂片之间的安装距离。  
Note: First, select the appropriate height according to personal placement preference, Punch  $\phi 8*85$ mm holes at the same horizontal position of the wall with an impact drill, as shown in the figure, the installation distance between hanging pieces.

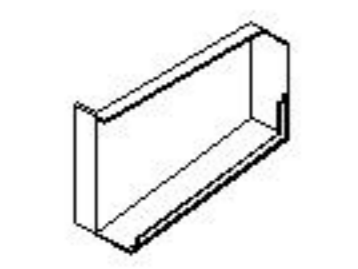


8

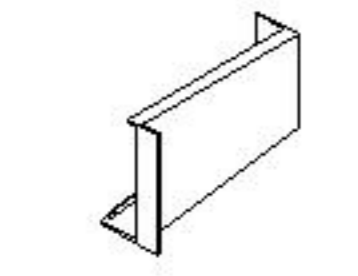
背面示意图  
Schematic diagram on the back

T09G-A

安装方法/  
Installation method



(O)\*1

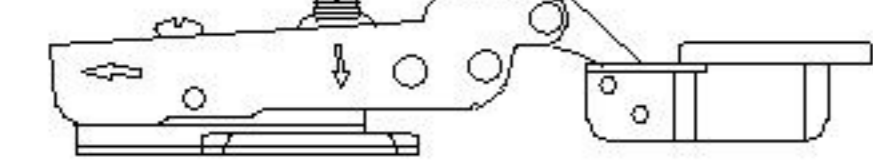


(P)\*1

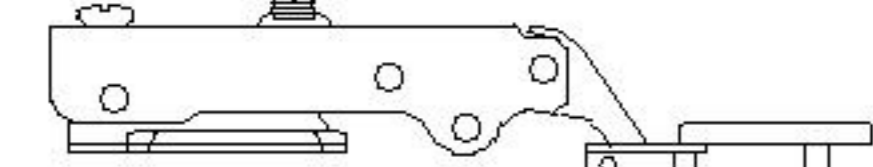
大弯big bend



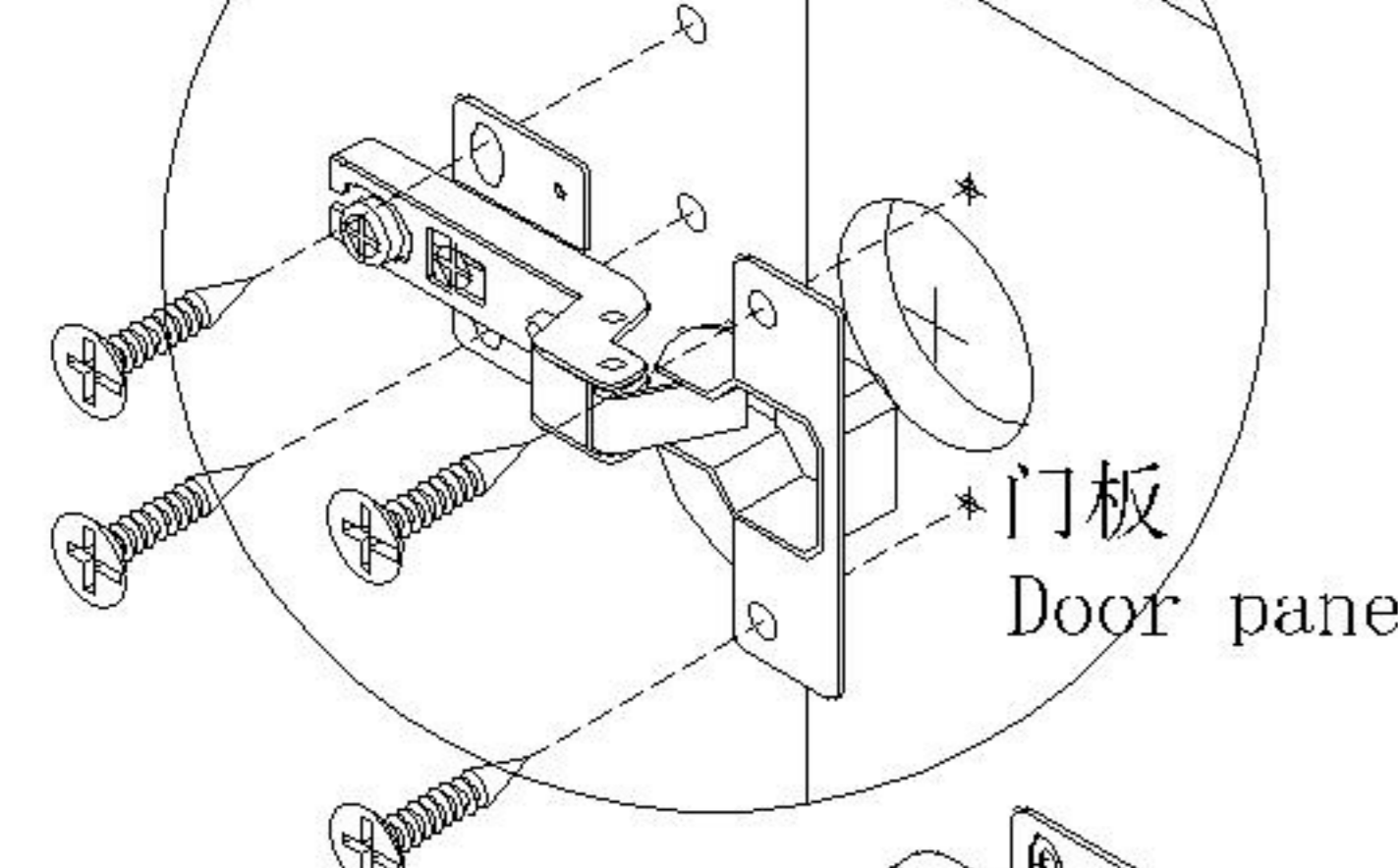
中弯middle bending



直弯straight bending



侧板  
side board



门板  
Door panel

调节上下

Adjust up and down



调节左右

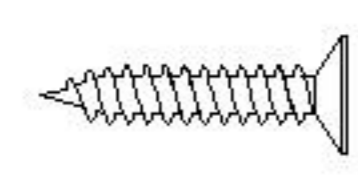
Adjust left and right



调节前后

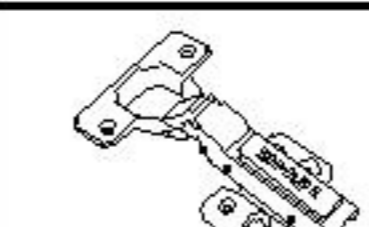
Before and after adjustment

门铰  
Hinge

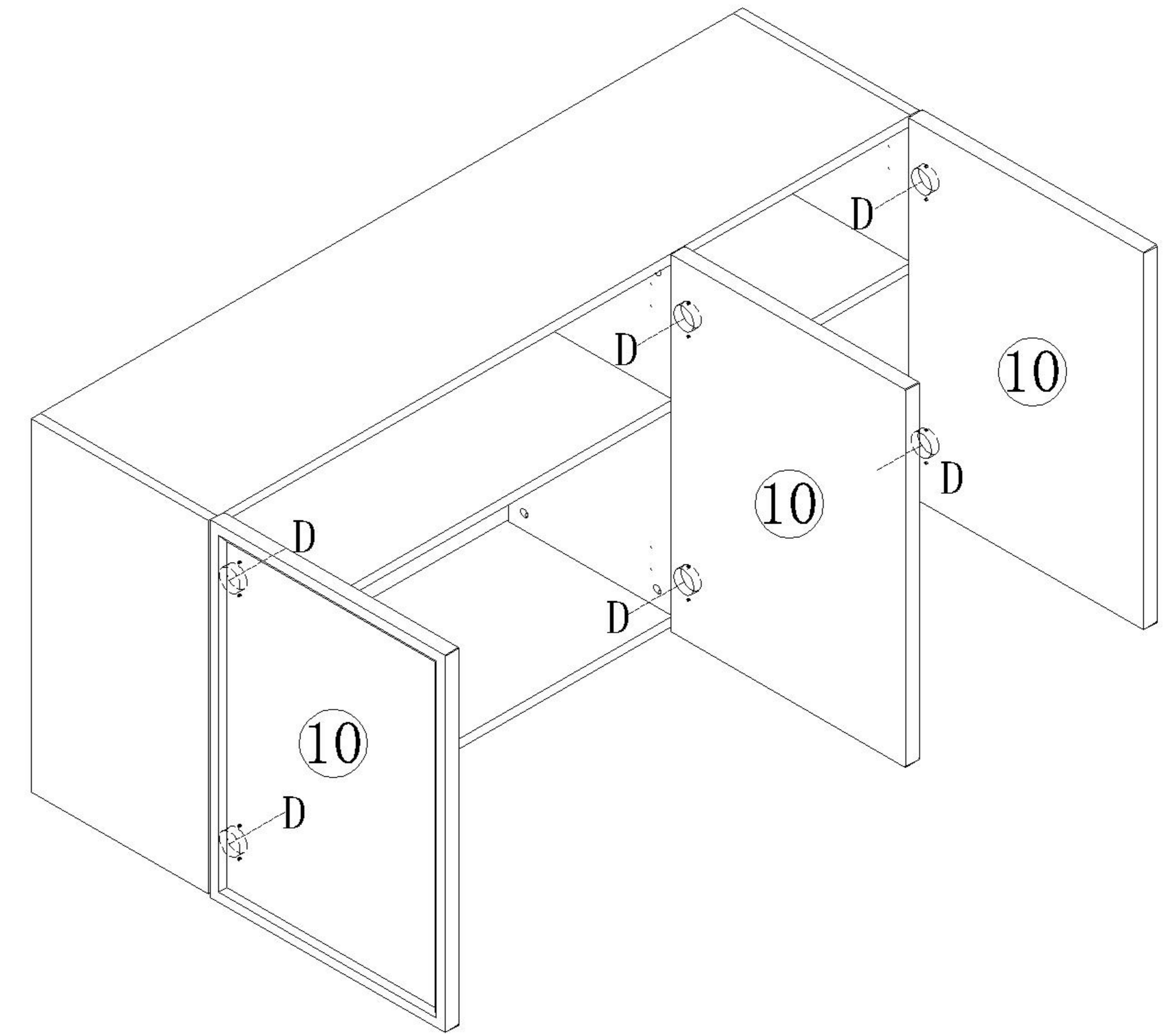
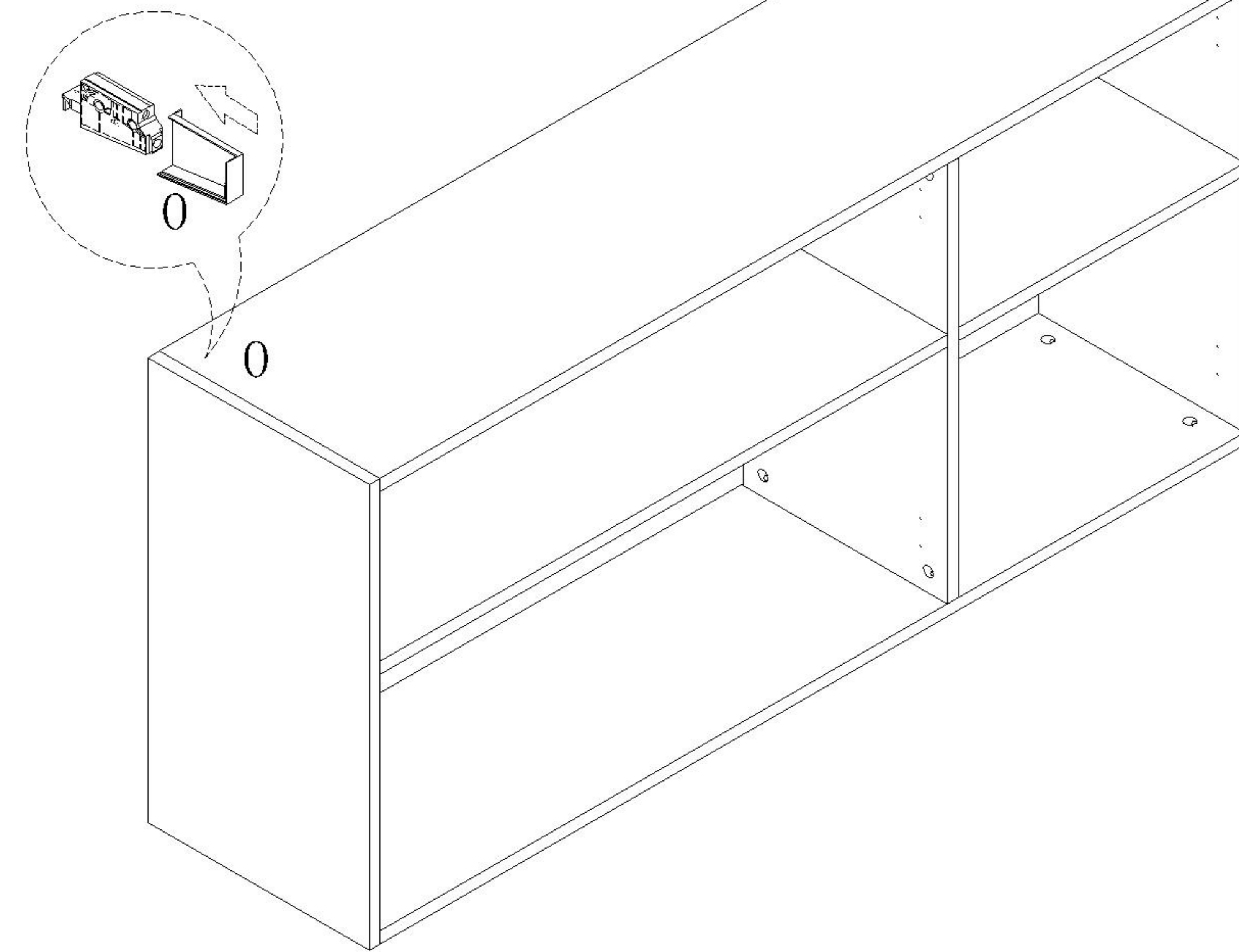


(J)\*4

9

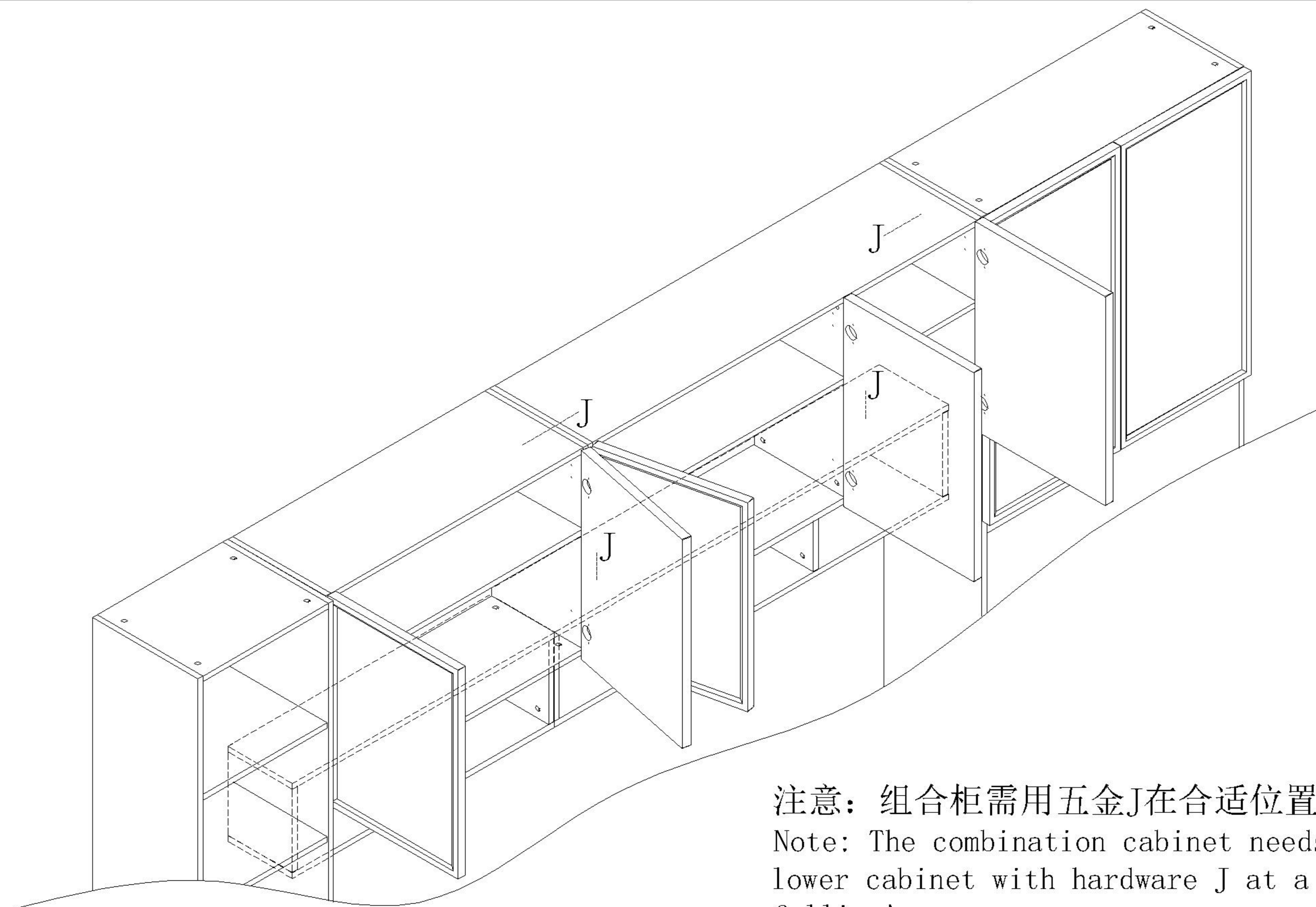


(D)\*6



10

11



注意：组合柜需用五金J在合适位置与侧柜、下柜连接，谨防柜身发生掉落！  
Note: The combination cabinet needs to be connected with the side cabinet and the lower cabinet with hardware J at a proper position to prevent the cabinet body from falling!