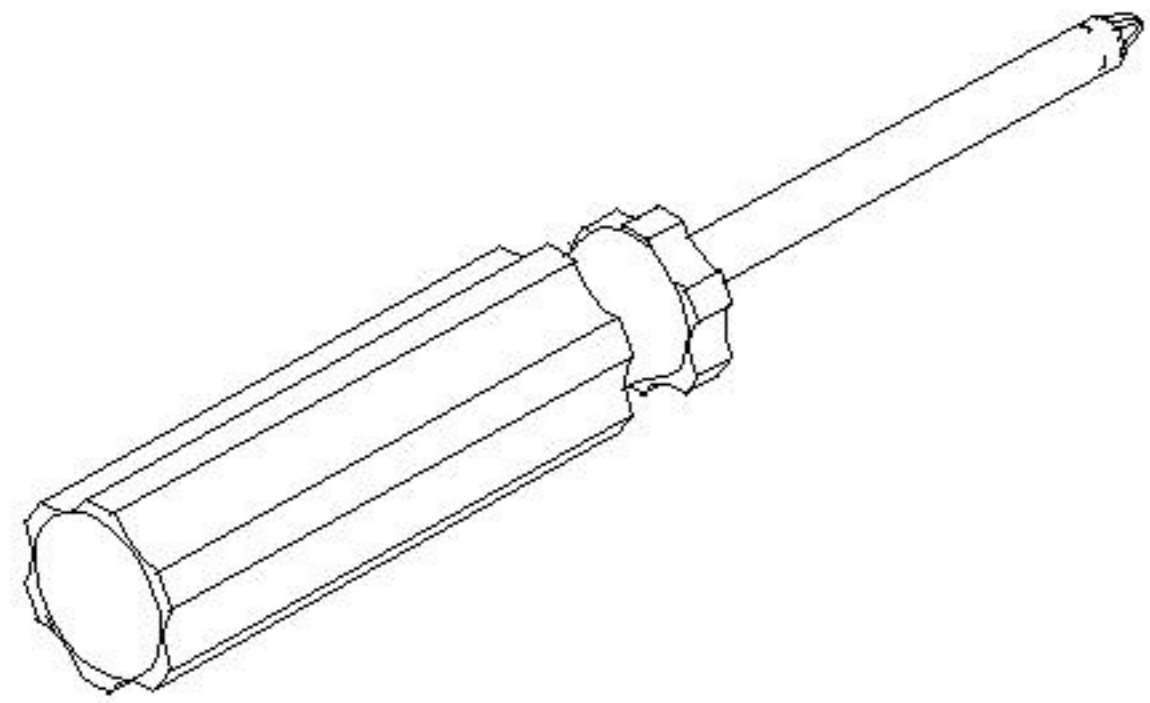
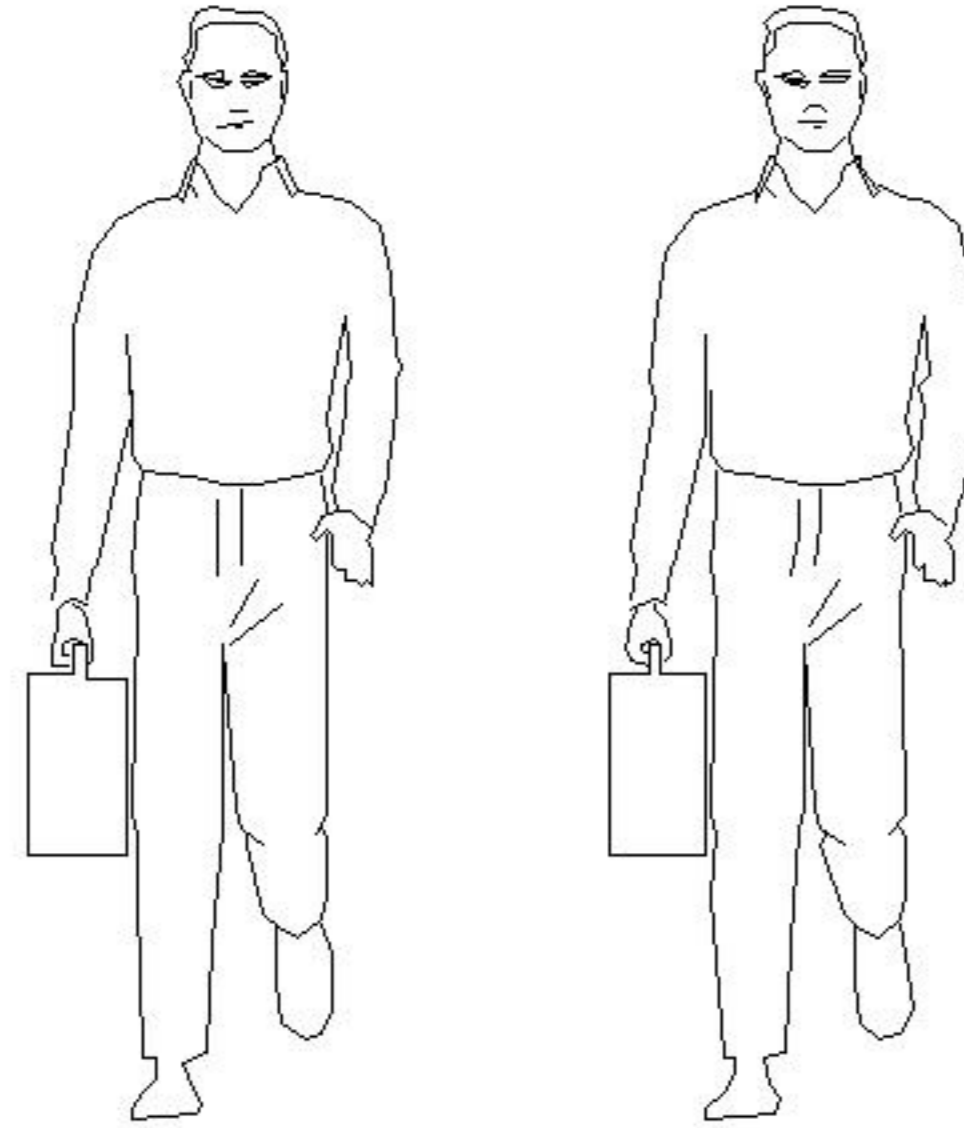
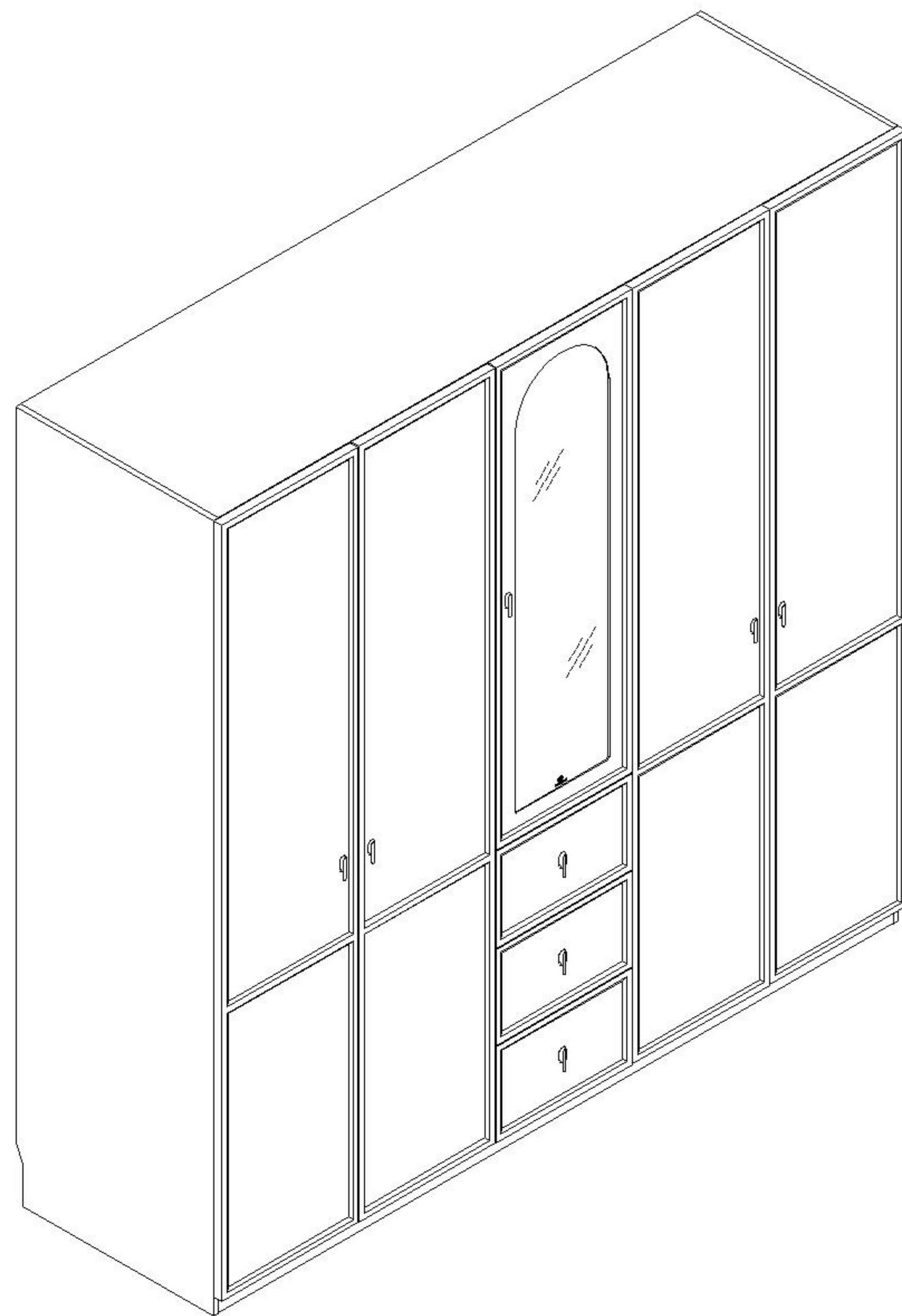
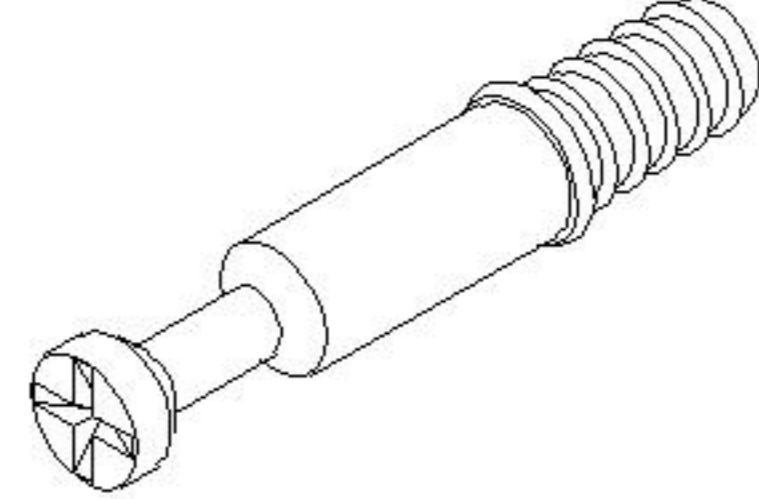
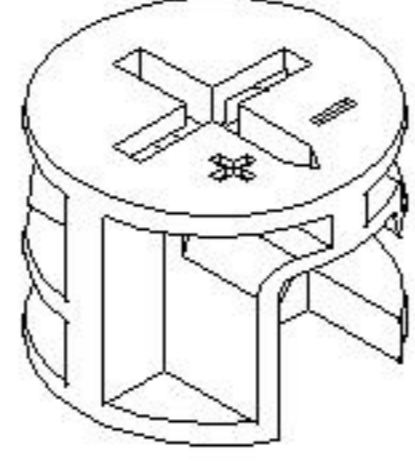
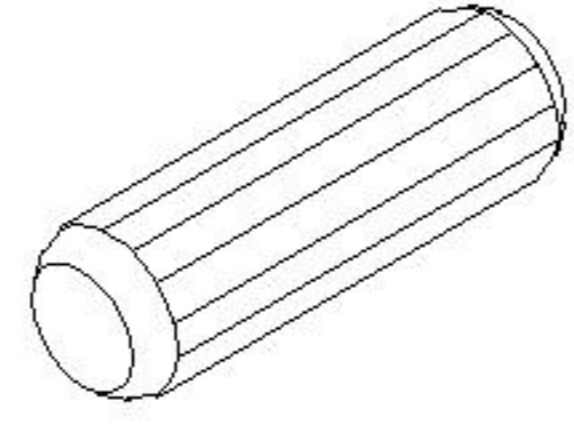
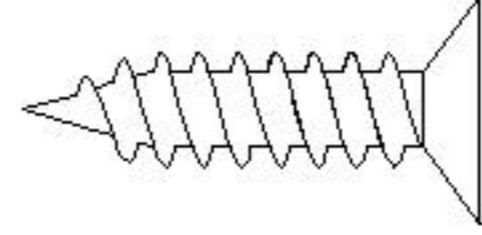
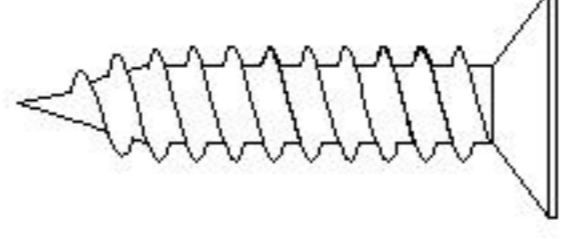
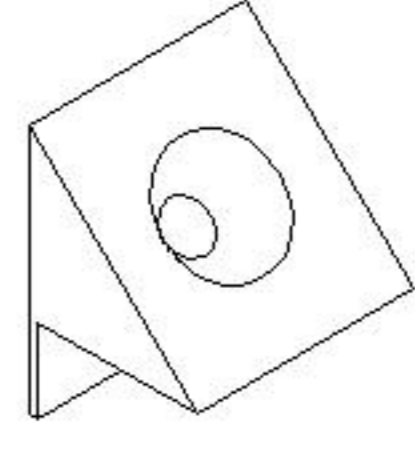
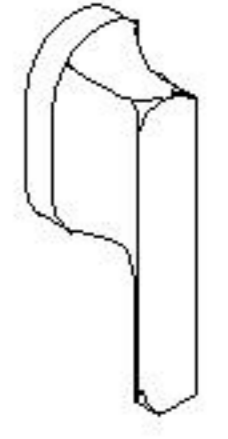
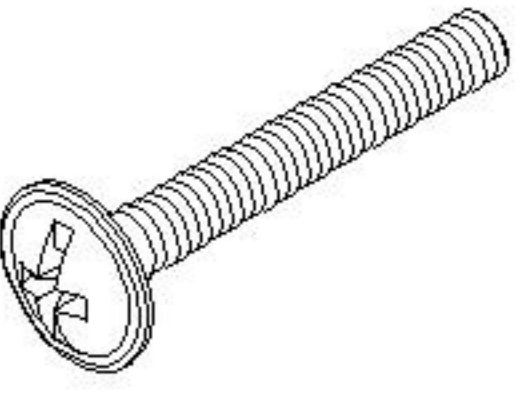
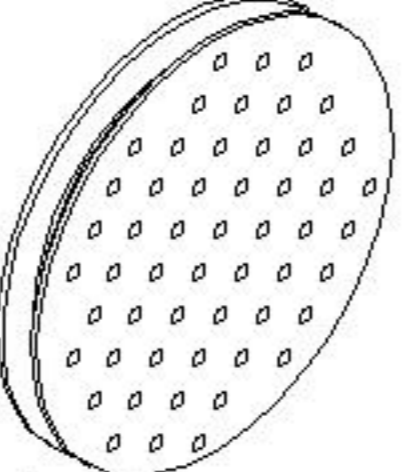
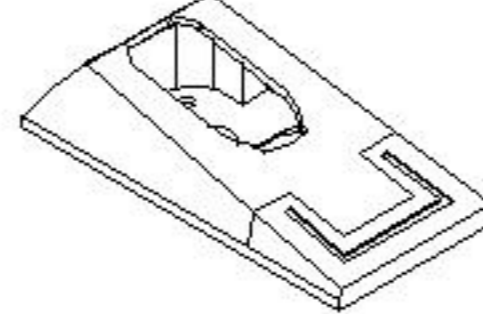
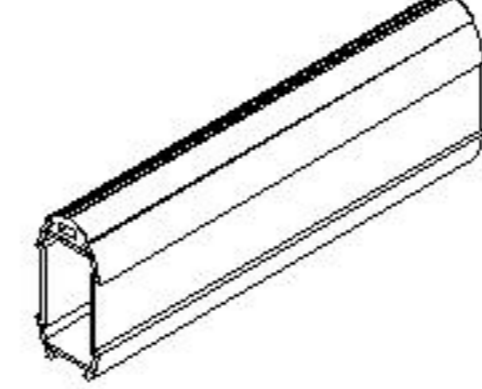
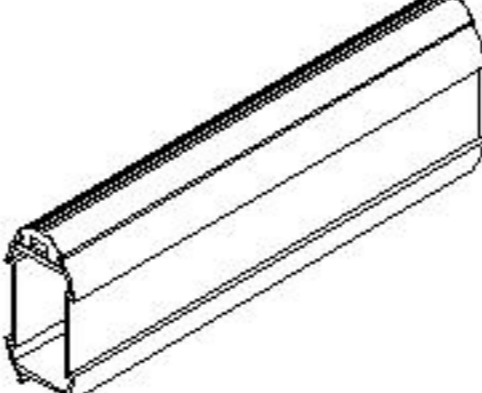
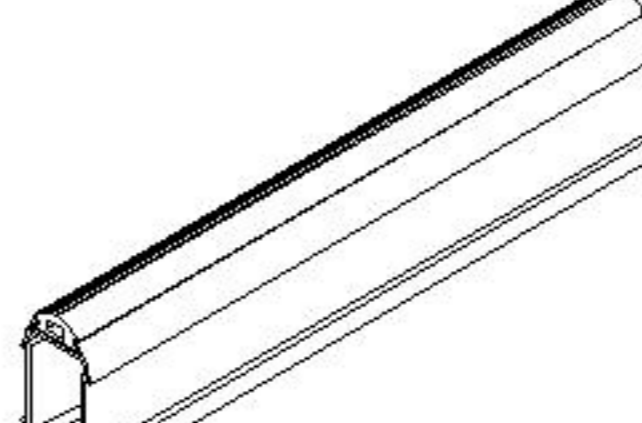
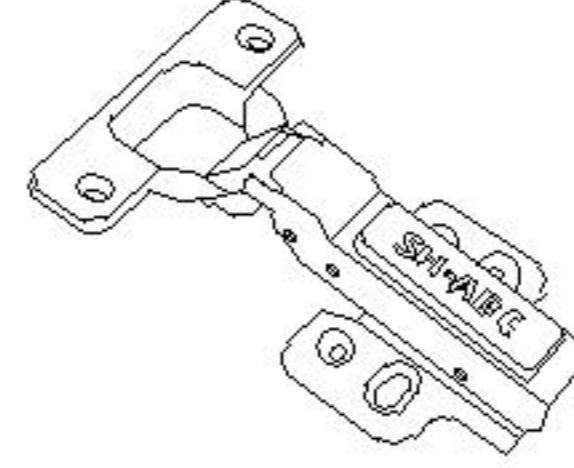
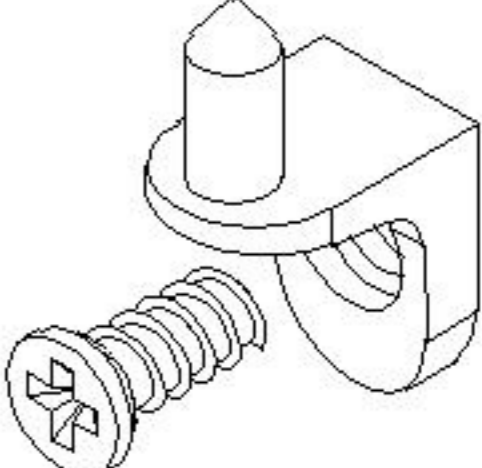
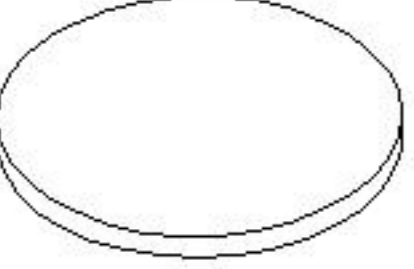
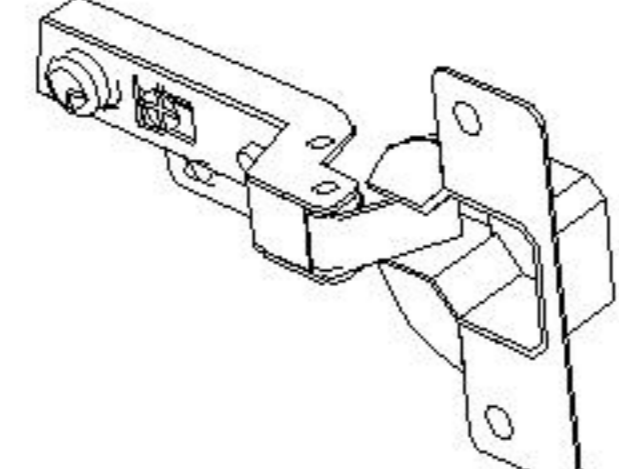


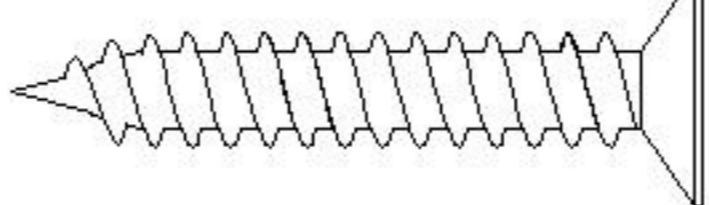
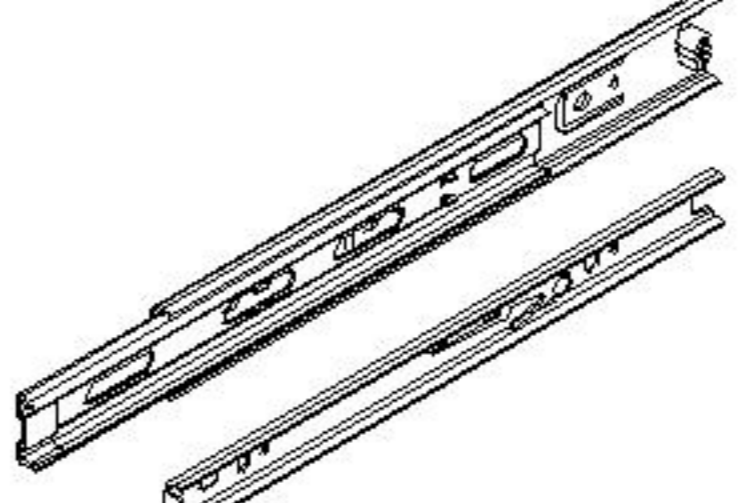
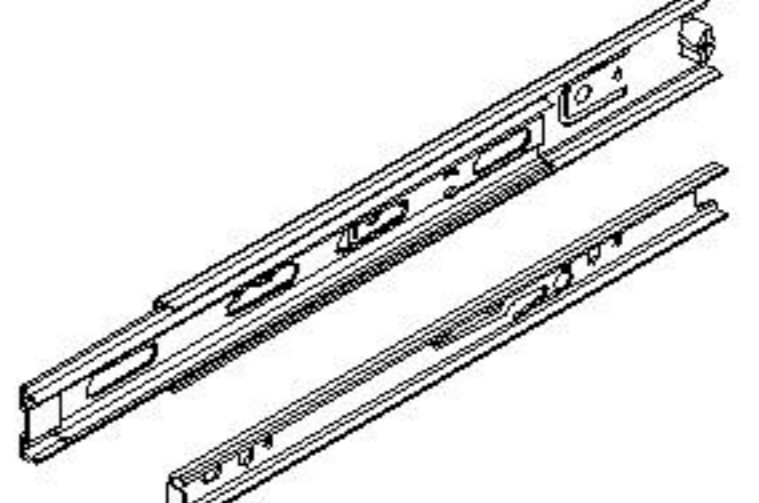
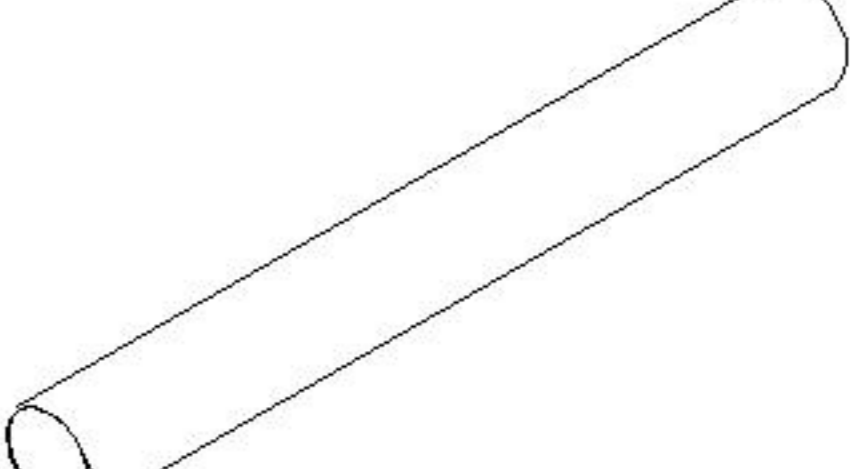
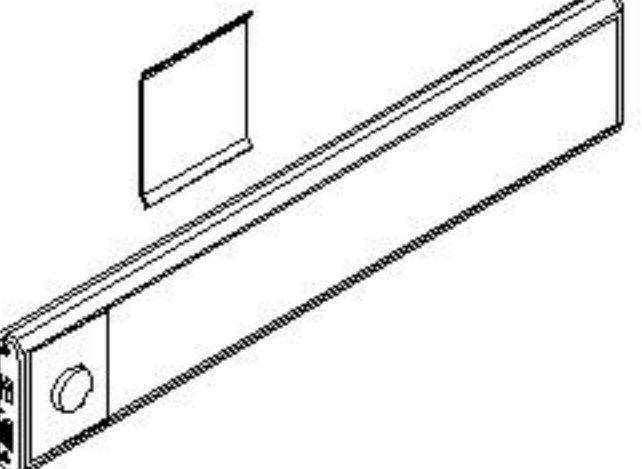


安装示意图/Assembly Instruction

产品名称 Model NO.	T04D-A1
产品规格 Specification	1990*612*2003 mm
安装工具 Tool	安装人数 Installer
	



注：安装至少需要2人
Note: 2 persons are required at least for installation

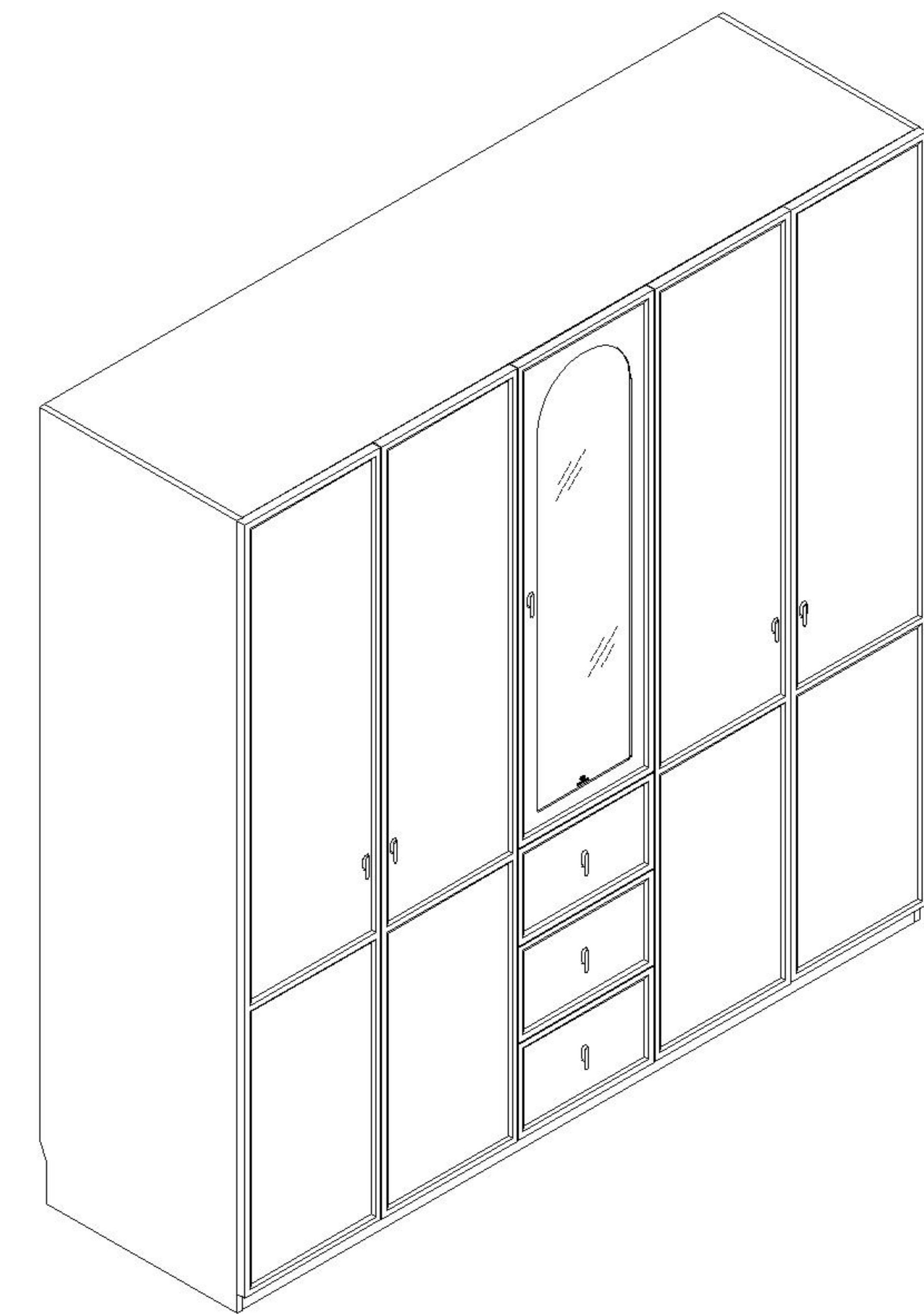
 (A)*105 二合一螺杆 2-in-1-screw	 (B)*105 大三合一锁饼 Three-in-one large lock	 (C)* 21 木榫Ø8x30mm wood tenon	 (D)* 67 自攻螺丝M3.5x12mm Self-tapping screw	 (E)* 17 自攻螺丝M3.5x16mm Self-tapping screw	 (F)* 17 背板扣 Back Plate Buckle-White	 (G)* 8 香槟金一字型拉手-01 Champagne gold handle	 (H)* 8 拉手螺丝-M4x22mm pulling screw
 (I)* 3 透气孔盖-白色 Vent cover - white	 (J)* 6 挂衣托-F874-B Clothes hanger	 (K)* 1 挂衣杆1 L-359 Clothes hanging rod 1	 (L)* 1 挂衣杆2 L-390 Clothes hanging rod 2	 (M)* 1 挂衣杆3 L-758 Clothes hanging rod 3	 (N)* 16 缓冲门铰中弯-杯径Ø40 Hinge-middle bending-diameter 40	 (O)* 24 层板托 shelf support	 (P)* 16 脚垫-灰色 Footrest - Grey
 (Q)* 3 缓冲门铰大弯-杯径Ø40 Hinge-big bends-diameter 40	 (R)* 4 过山丝-M7x38mm Self-tapping screw galvanized	 (S)* 1 内六角扳手4mm spanner-(4mm) hex	 (T)* 8 自攻螺丝M4x35mm Self-tapping screw	 (U)* 3 三节滚珠导轨-14" three-section ball rail	 (V)* 1 三节滚珠导轨-18" three-section ball rail	 (W)* 8 圆管黑色Ø14*460 three-section ball rail	 (X)* 1 感应灯 Induction lamp

T04D-A1

部件表/Parts List

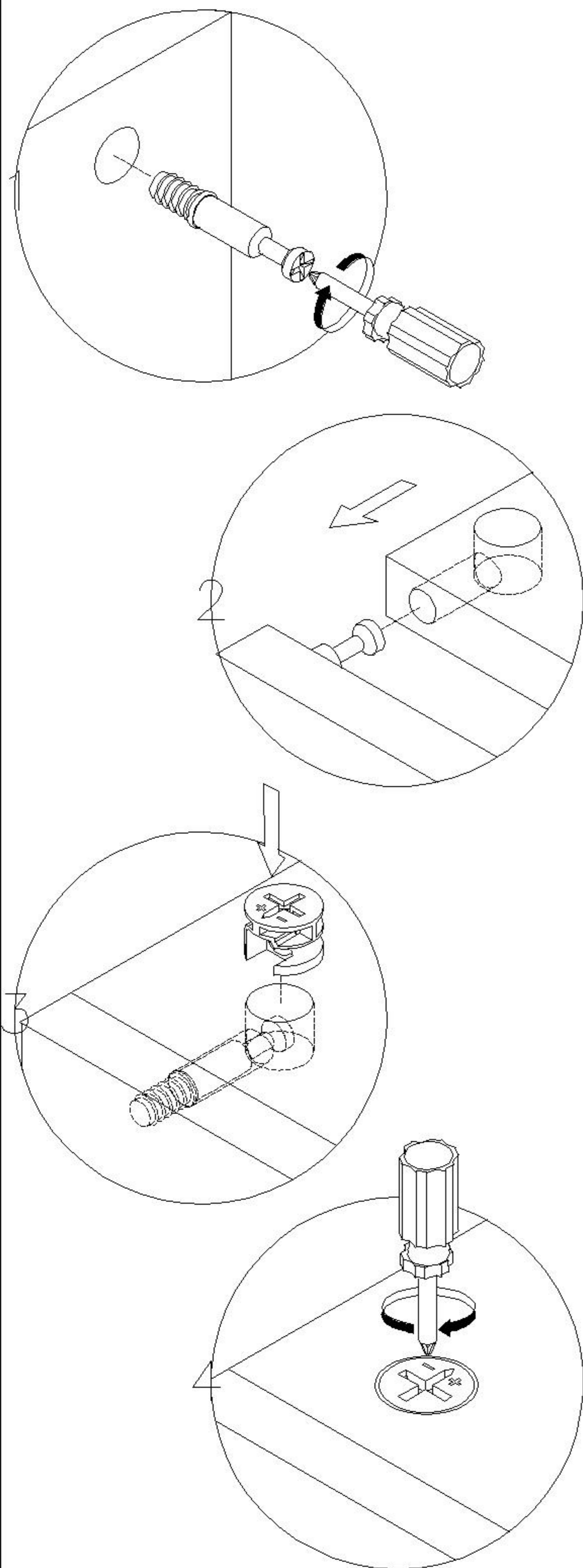
部件表/Parts List

编号NO.	名称Name	规格 (mm) Specification	数量QTY	材质Material	编号NO.	名称Name	规格 (mm) Specification	数量QTY	材质Material
①	右侧板Side board(R)	2000*574*15	1	三胺板 Melamine	②⑤	抽屉面板Drawer's top panel	396*242*23	3	吸塑板Blister board
②	左侧板Side board(L)	2000*574*15	1	三胺板 Melamine	②⑥	左门板Door board(L)	1950*396*23	2	吸塑板Blister board
③	顶板Top board	1960*574*15	1	三胺板 Melamine	②⑦	右门板Door board(R)	1950*396*23	2	吸塑板Blister board
④	底板Bottom board	1960*554*15	1	三胺板 Melamine	②⑧	中门板组立Middle doorframe	1215*396*23	1	吸塑板+玻璃 Blister board+glass
⑤	长层板Long laminate	765*532*15	1	三胺板 Melamine					
⑥	固定层板Fixed shelf	765*532*15	1	三胺板 Melamine					
⑦	活动层板Movable shelf	382*532*15	3	三胺板 Melamine					
⑧	活动层板1 Movable shelf 1	397*532*15	1	三胺板 Melamine					
⑨	中侧板Middle side board	1912*534*15	2	三胺板 Melamine					
⑩	短中侧板Short middle side plate	1577*532*15	1	三胺板 Melamine					
⑪	边背拉条Side back brace	1912*140*15	2	三胺板 Melamine					
⑫	背拉条Back brace	1912*140*15	2	三胺板 Melamine					
⑬	大背板Big backboard	1922*575*5	2	三胺板 Melamine					
⑭	小背板Small backplane	1922*284*5	1	三胺板 Melamine					
⑮	长脚条Long foot slat	1960*58*15	2	三胺板 Melamine					
⑯	中脚条Middle foot strip	522*58*15	2	三胺板 Melamine					
⑰	抽屉侧板Drawer's sideboard	395*174*15	6	三胺板 Melamine					
⑱	抽屉后板Drawer's Back board	372*174*15	3	三胺板 Melamine					
⑲	抽屉底板Drawer's Bottom board	352*405*5	3	三胺板 Melamine					
⑳	导轨垫条Rail cushion strip	532*88*25	2	三胺板 Melamine					
㉑	小抽屉面板Small drawer's panel	712*82*15	1	三胺板 Melamine					
㉒	小抽屉侧板Side panel of small drawer	442*58*15	2	三胺板 Melamine					
㉓	中拉条Brace	442*58*15	1	三胺板 Melamine					
㉔	小抽屉后板Small drawer's back board	690*58*15	1	三胺板 Melamine					

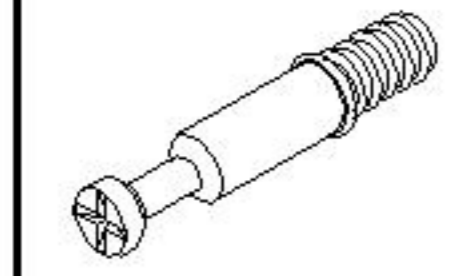


T04D-A1

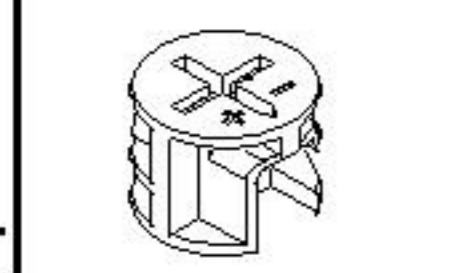
安装方法/
Installation method



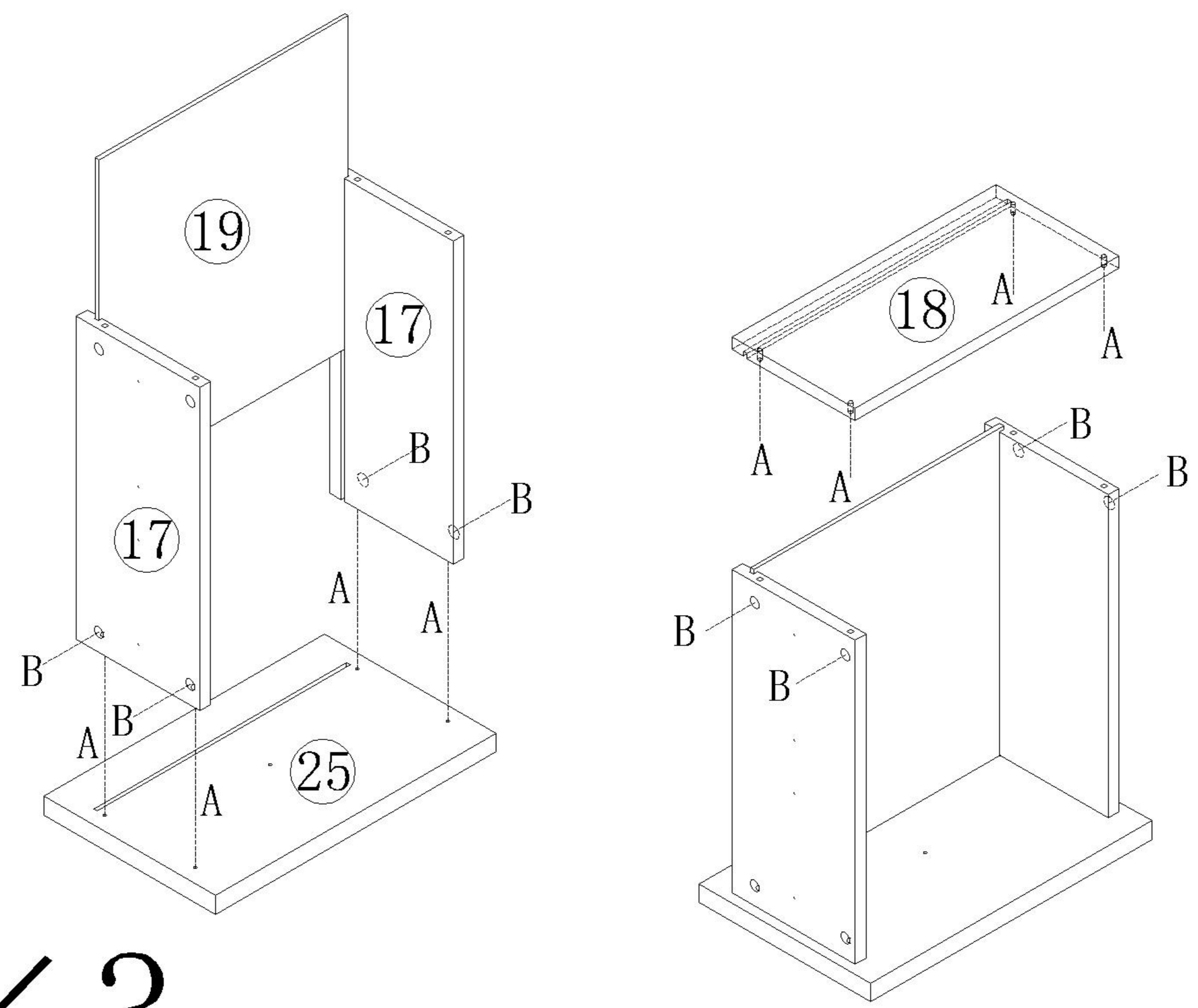
大二合一
two-in-one



(A)*24

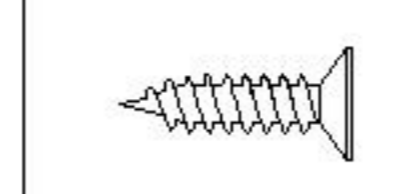


(B)*24

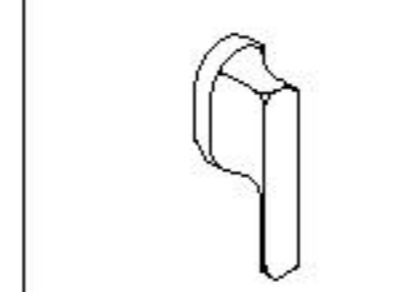


× 3

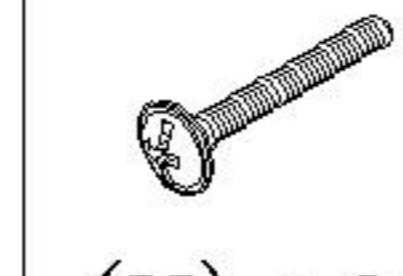
1



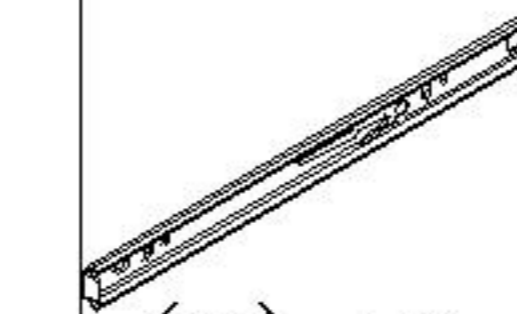
(D)*18



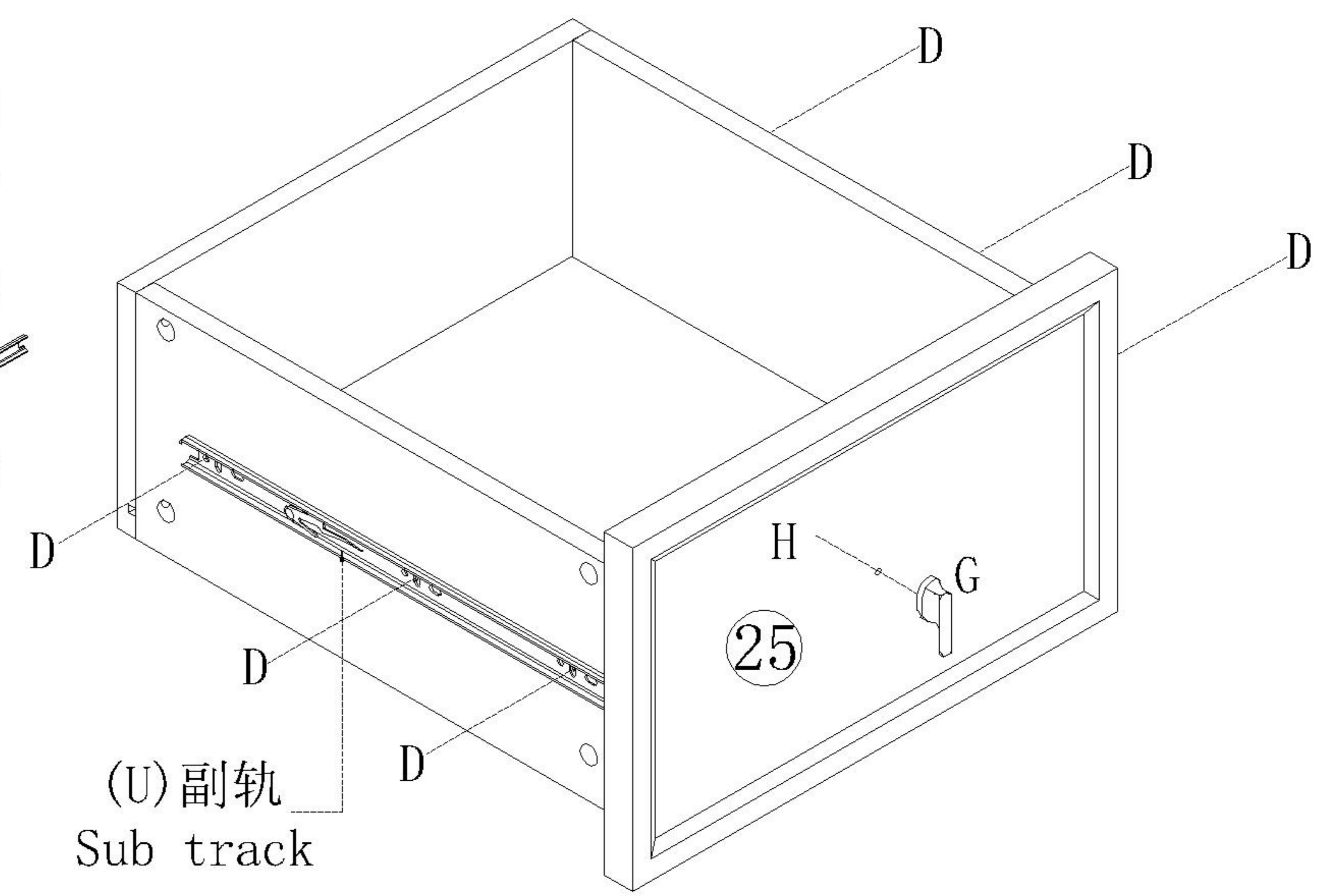
(G)*3



(H)*3



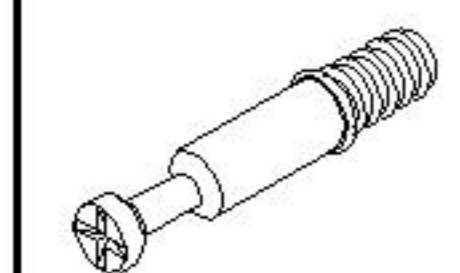
(U)*3



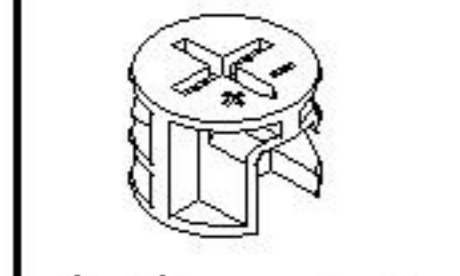
(U) 副轨
Sub track

× 3

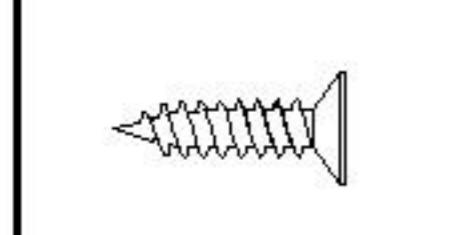
2



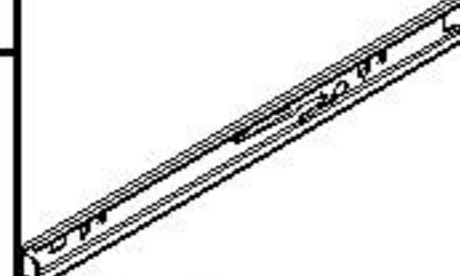
(A)*12



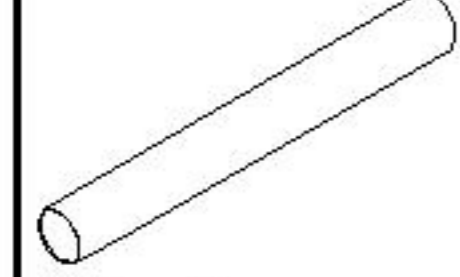
(B)*12



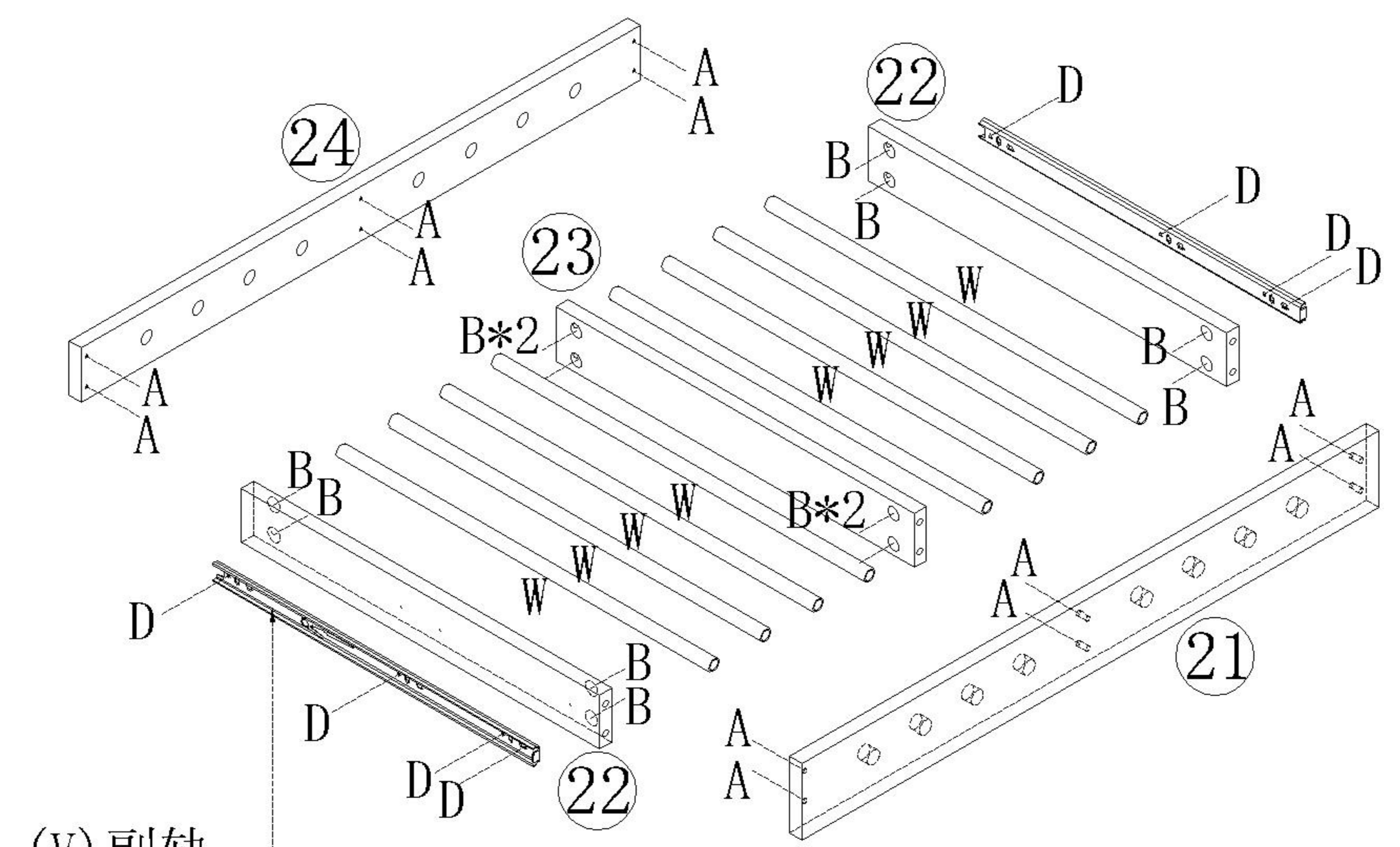
(D)*8



(V)*1

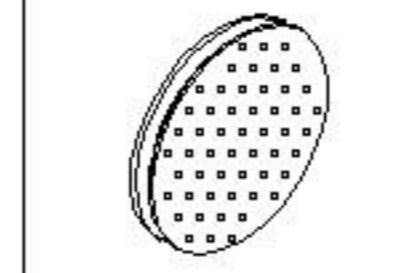


(W)*8

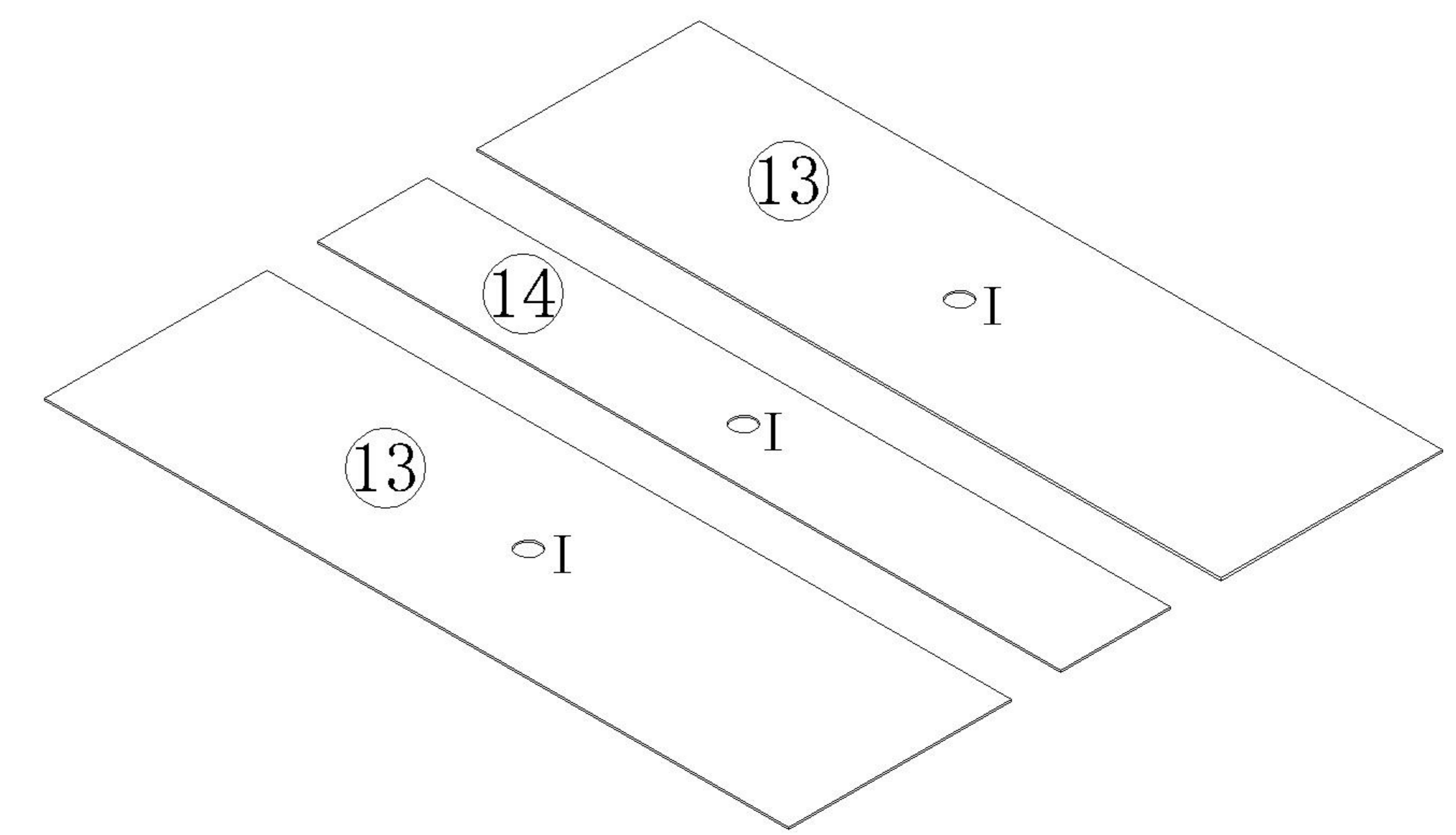


(V) 副轨
Sub track

3



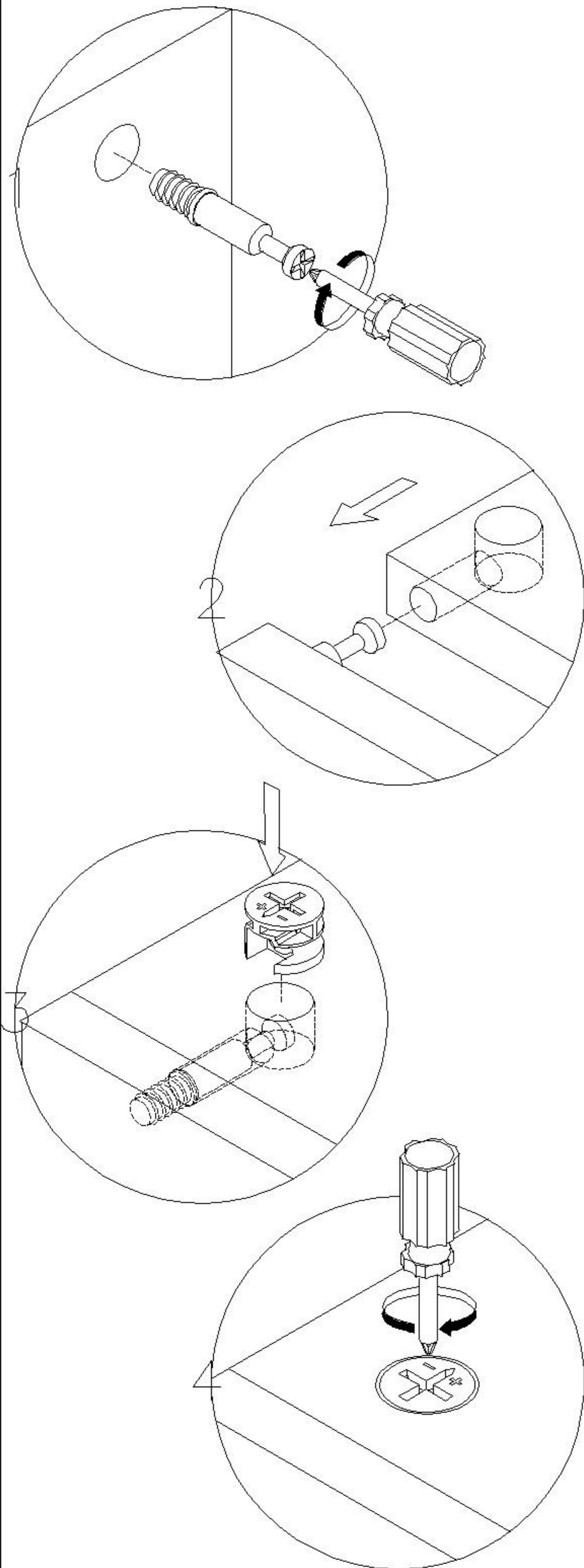
(I)*3



4

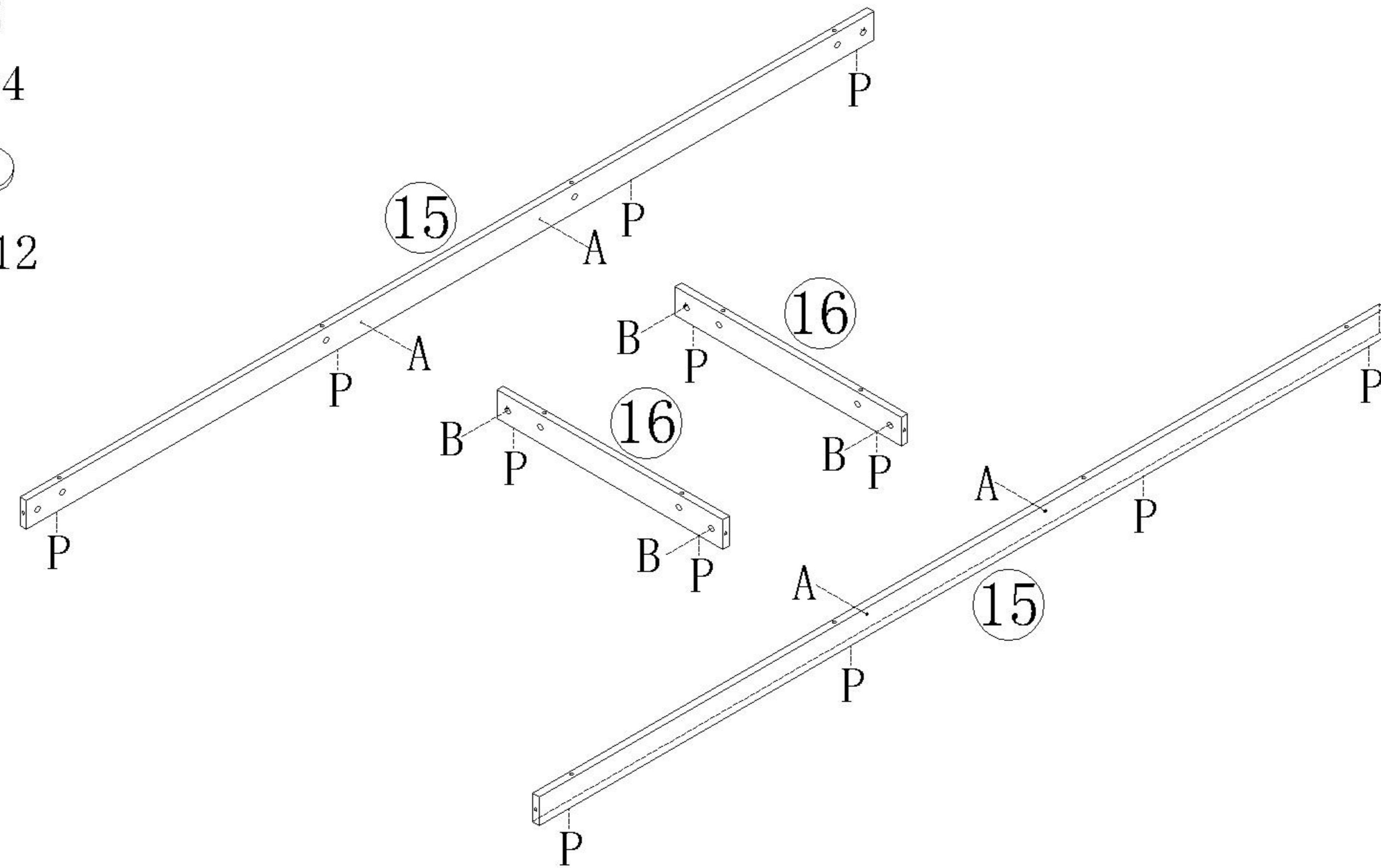
T04D-A1

安装方法/
Installation method

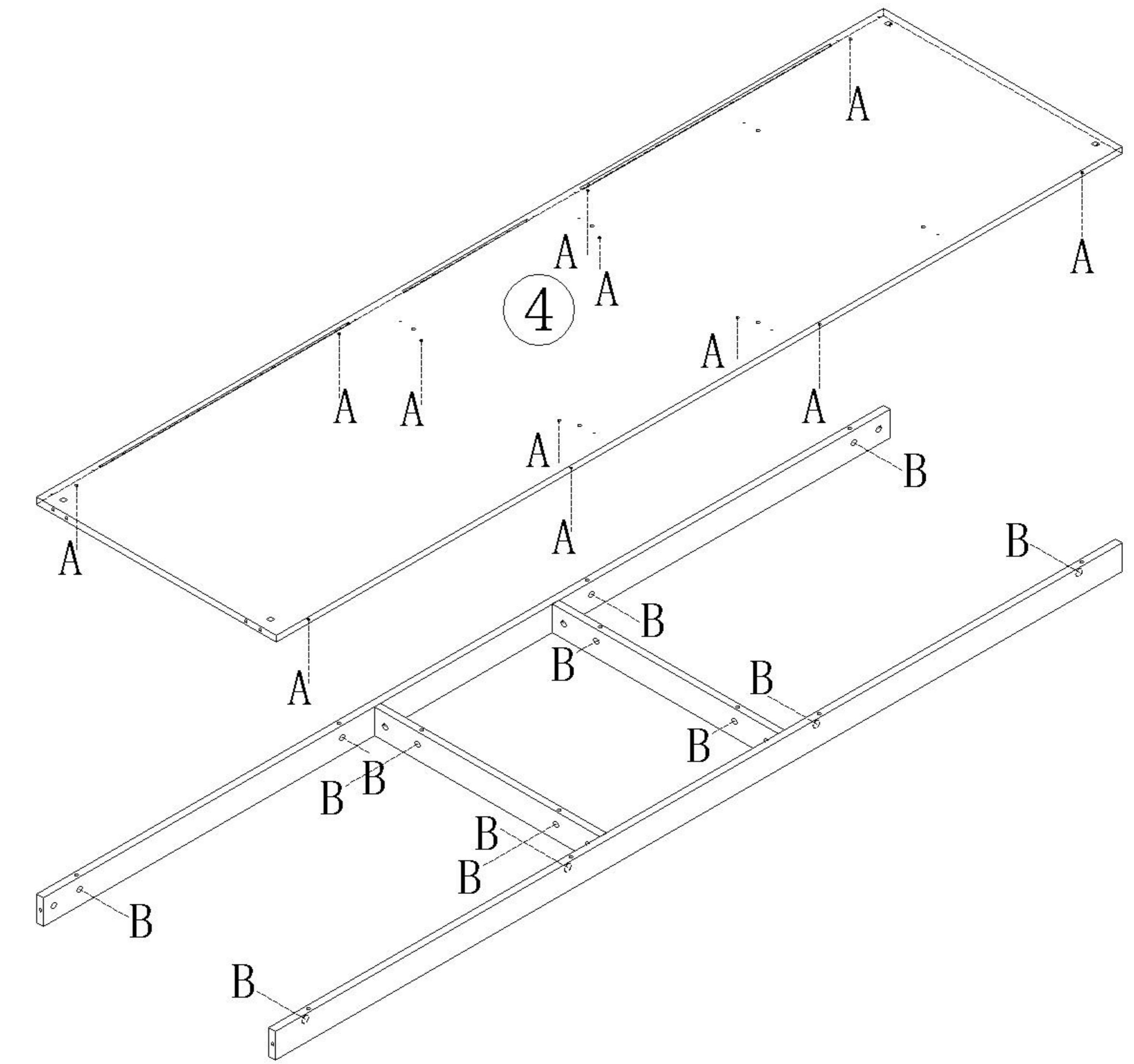


大二合一
two-in-one

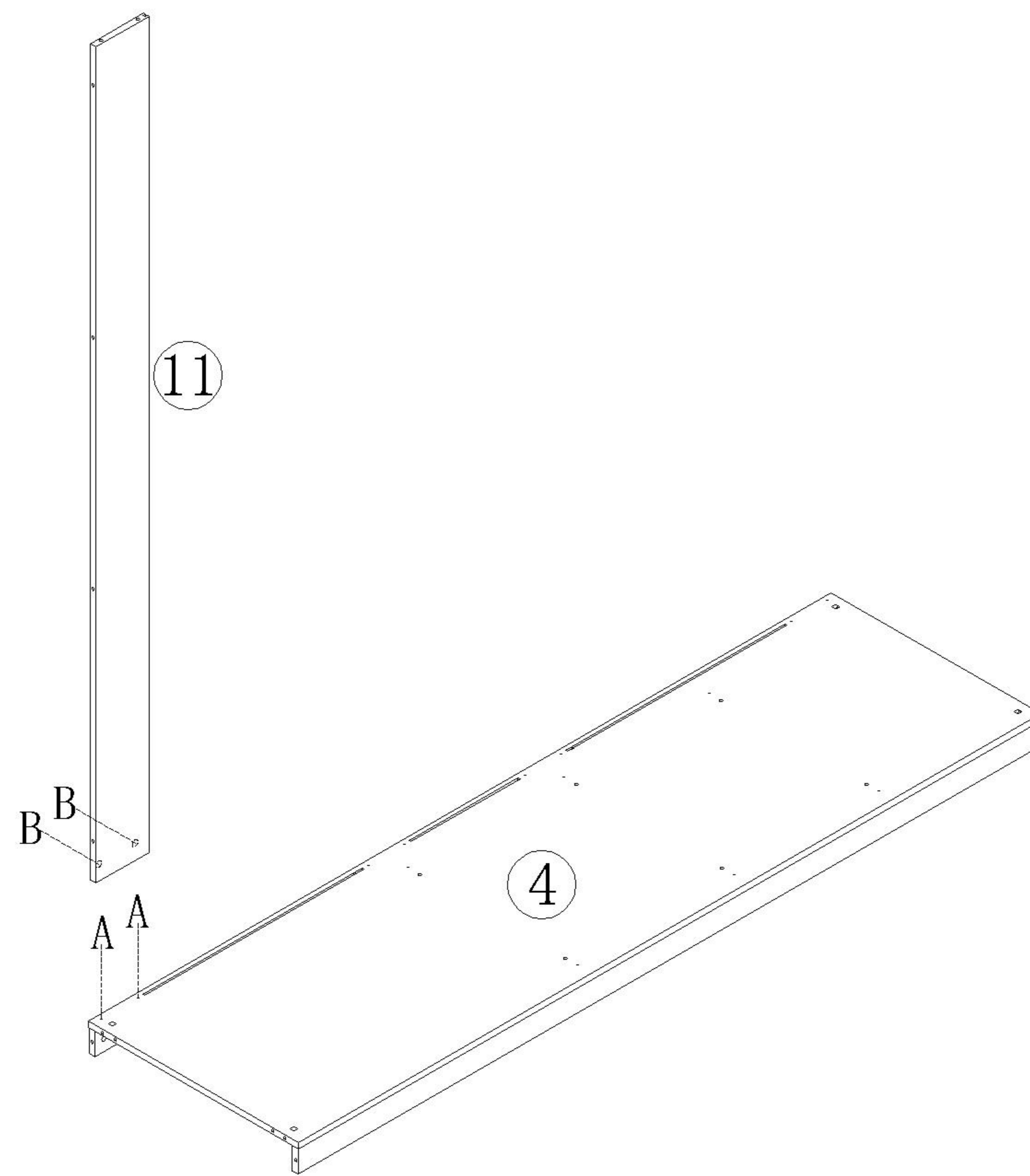
- (A)*4
- (B)*4
- (P)*12



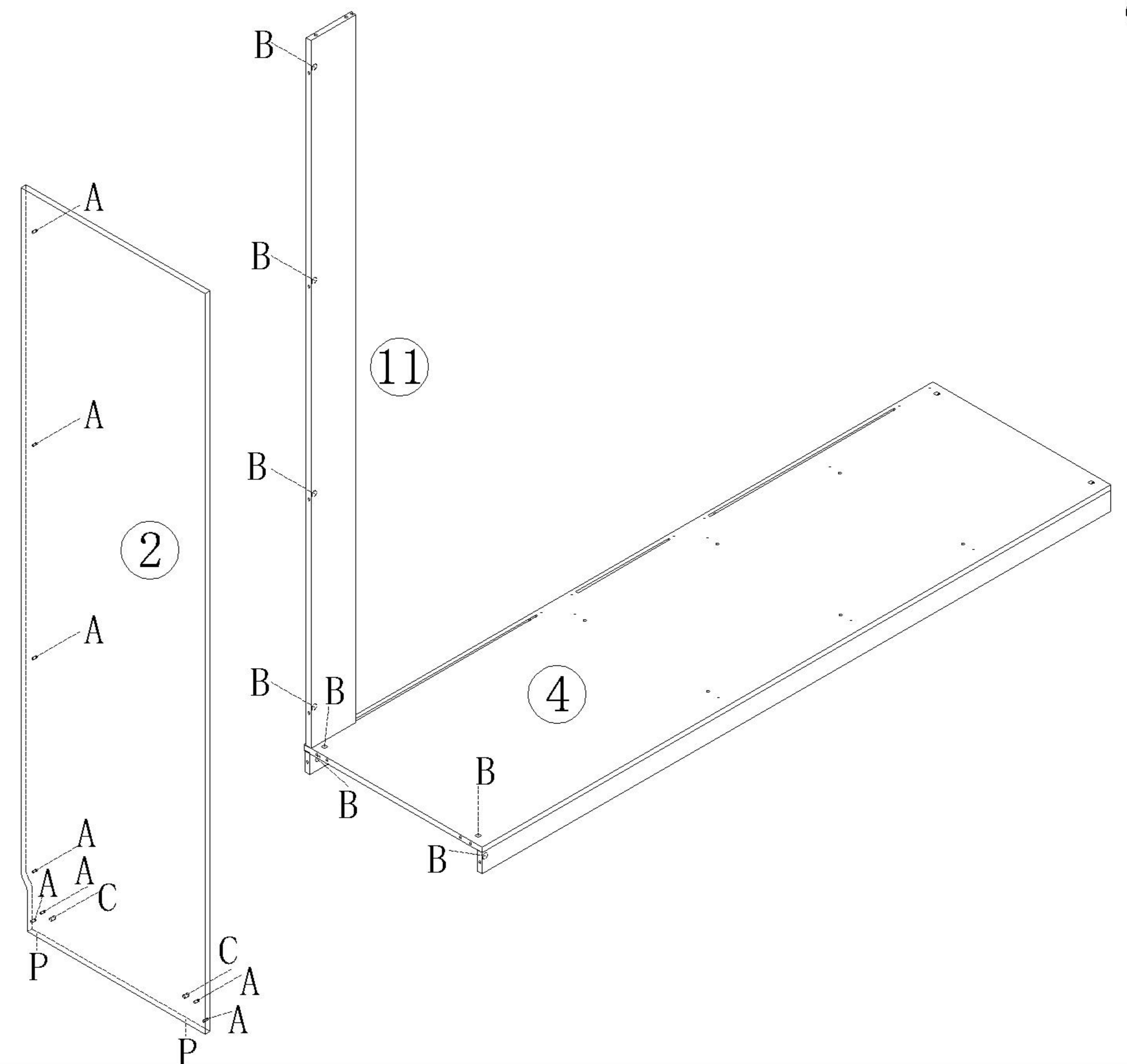
- (A)*12
- (B)*12



- (A)*2
- (B)*2

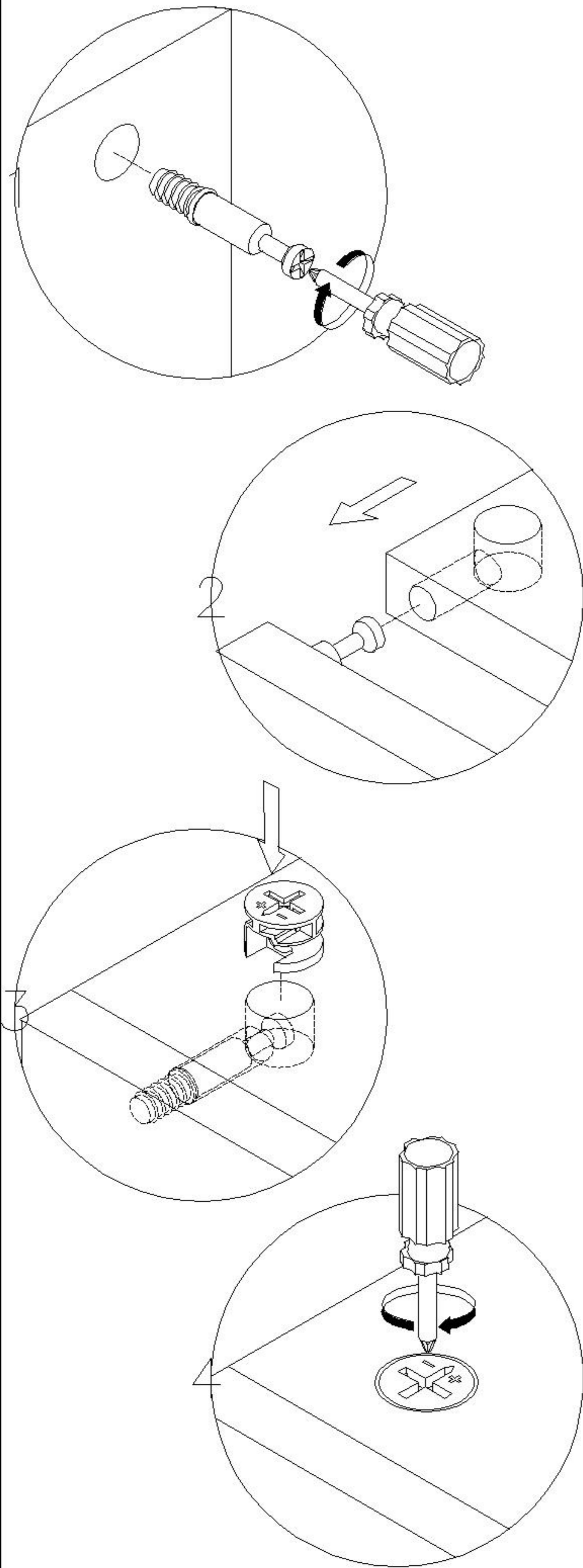


- (A)*8
- (B)*8
- (C)*2
- (P)*2

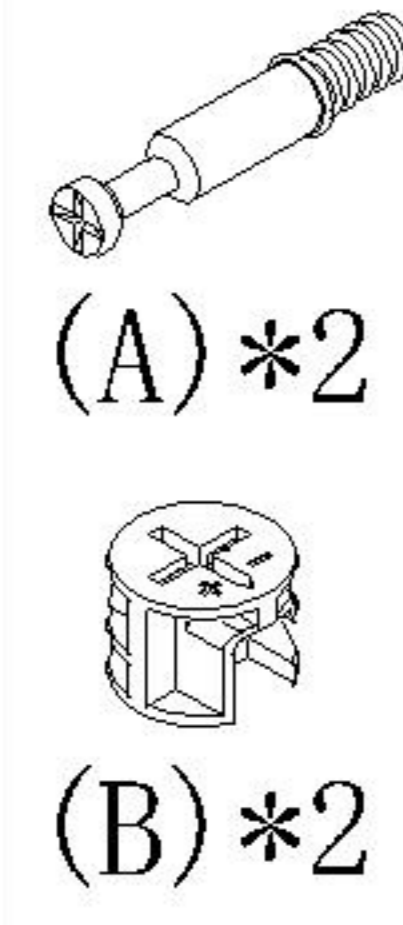


T04D-A1

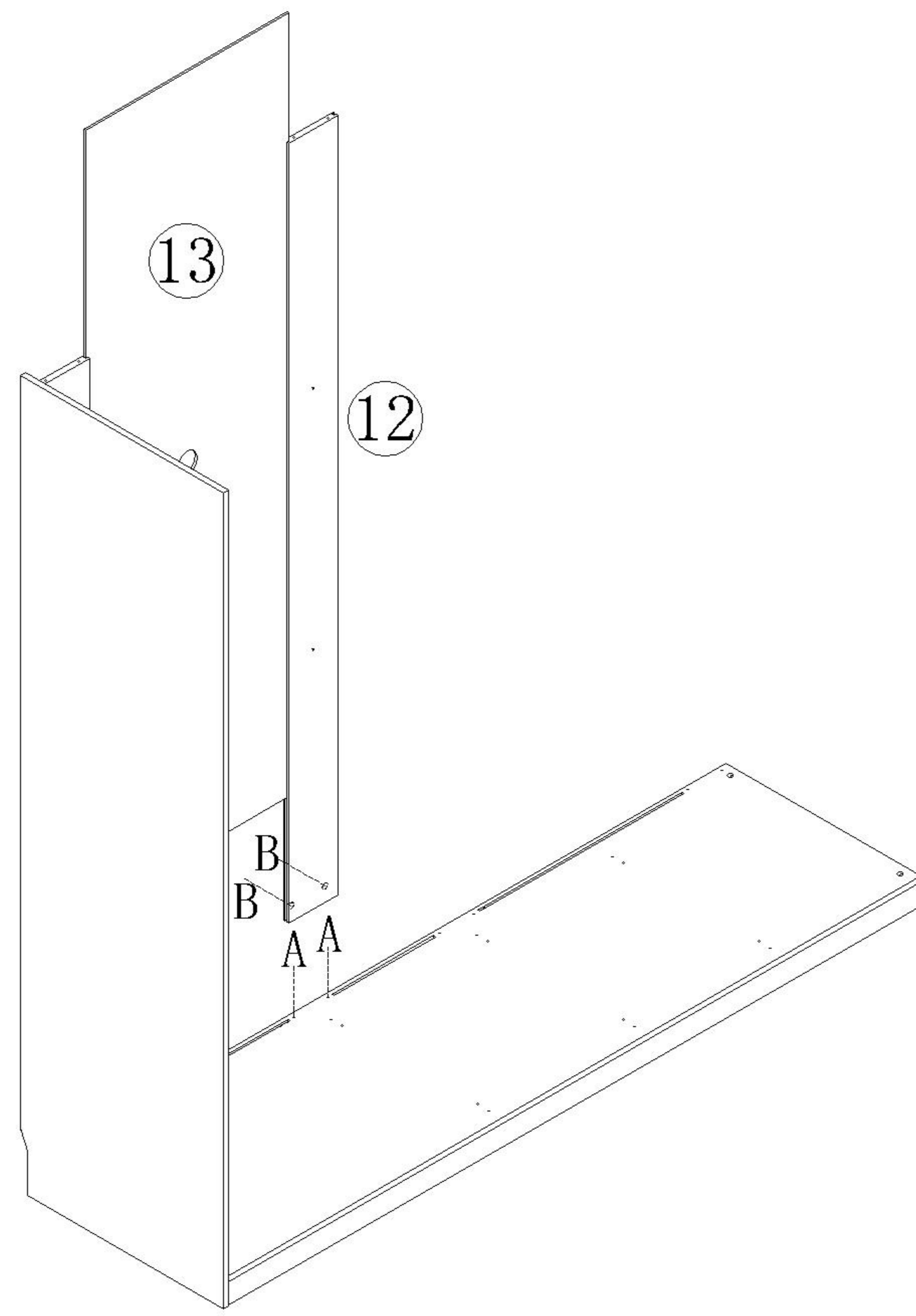
安装方法/
Installation method



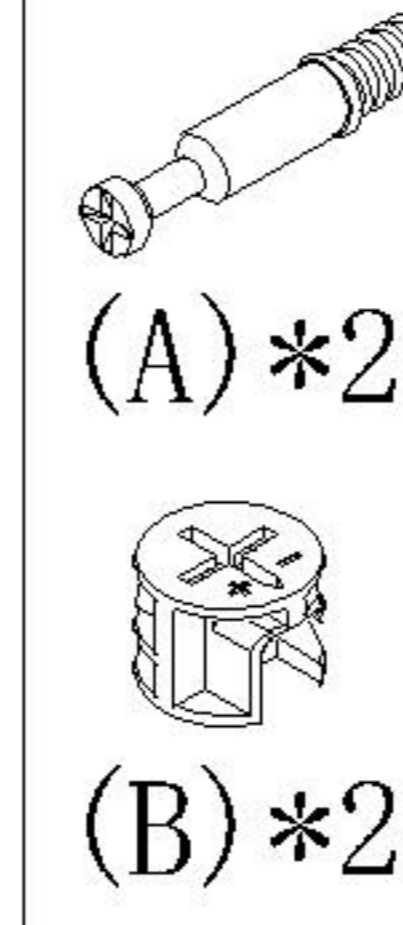
大二合一
two-in-one



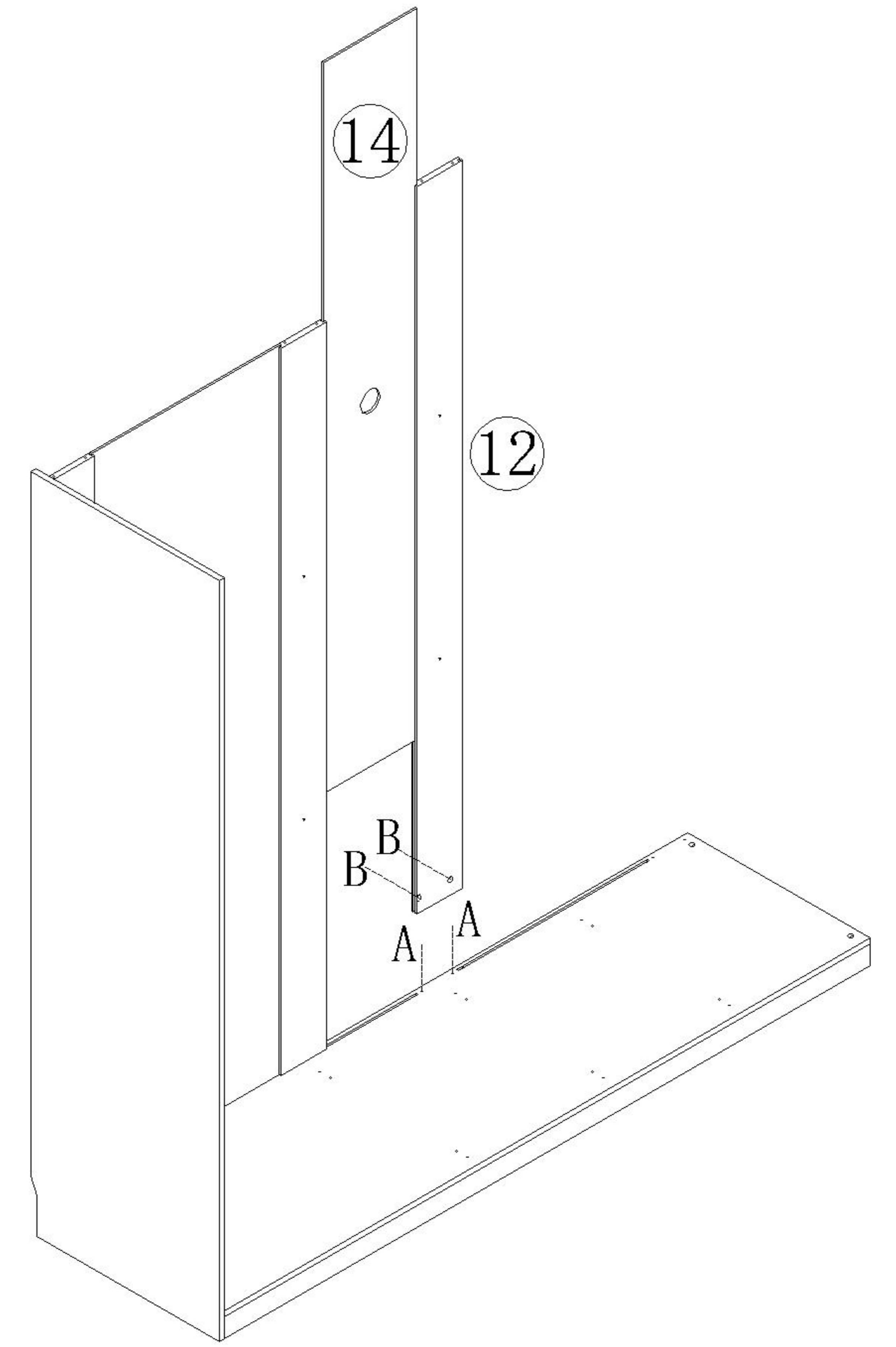
(A)*2
(B)*2



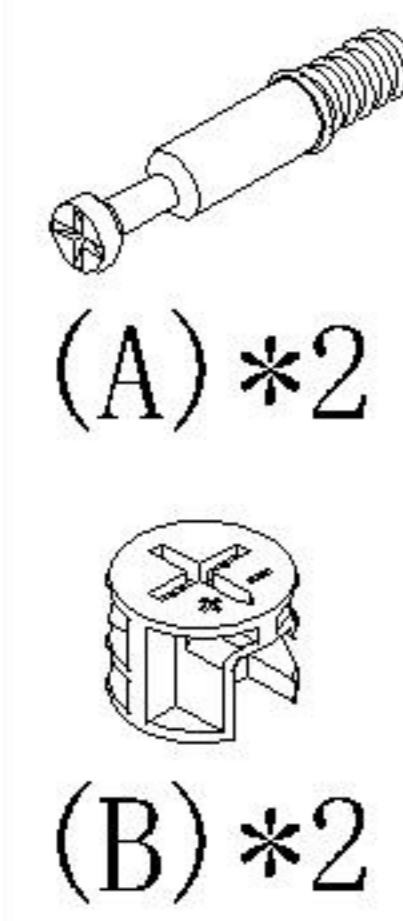
9



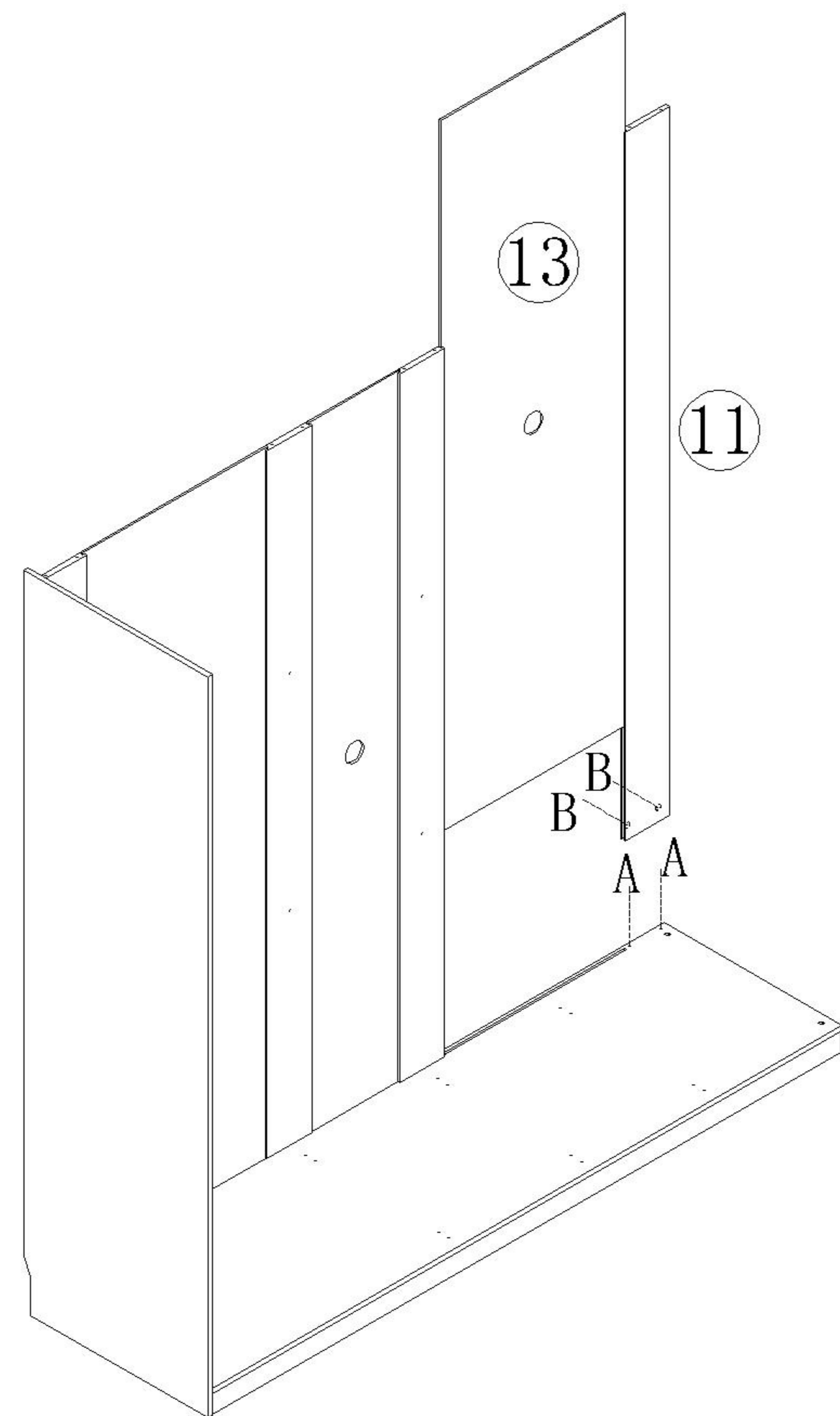
(A)*2
(B)*2



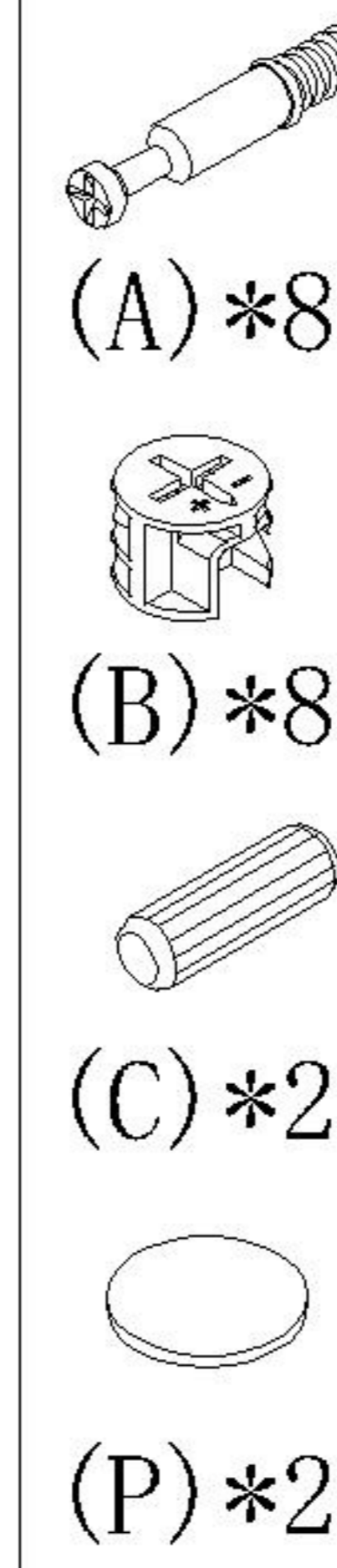
10



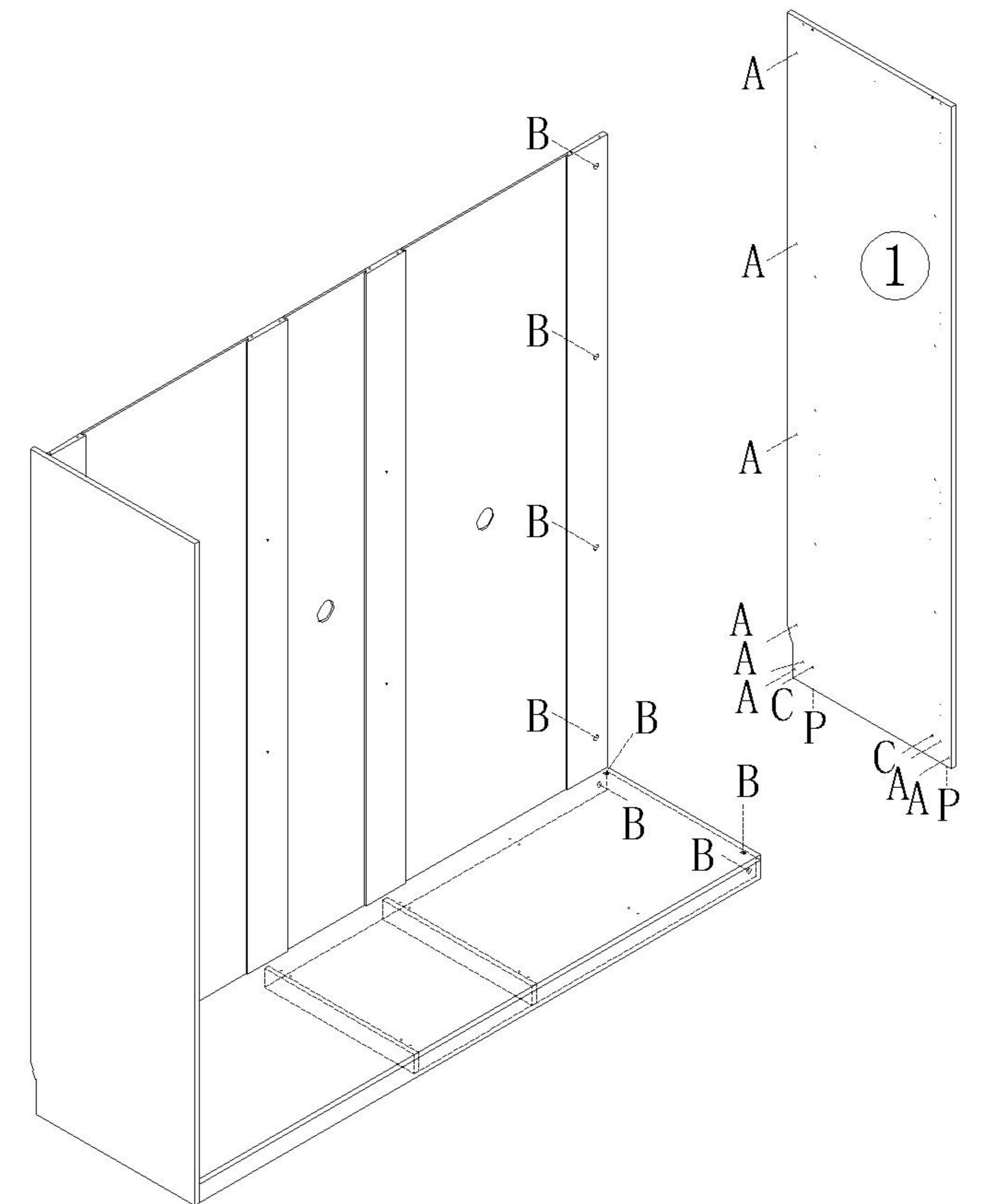
(A)*2
(B)*2



11



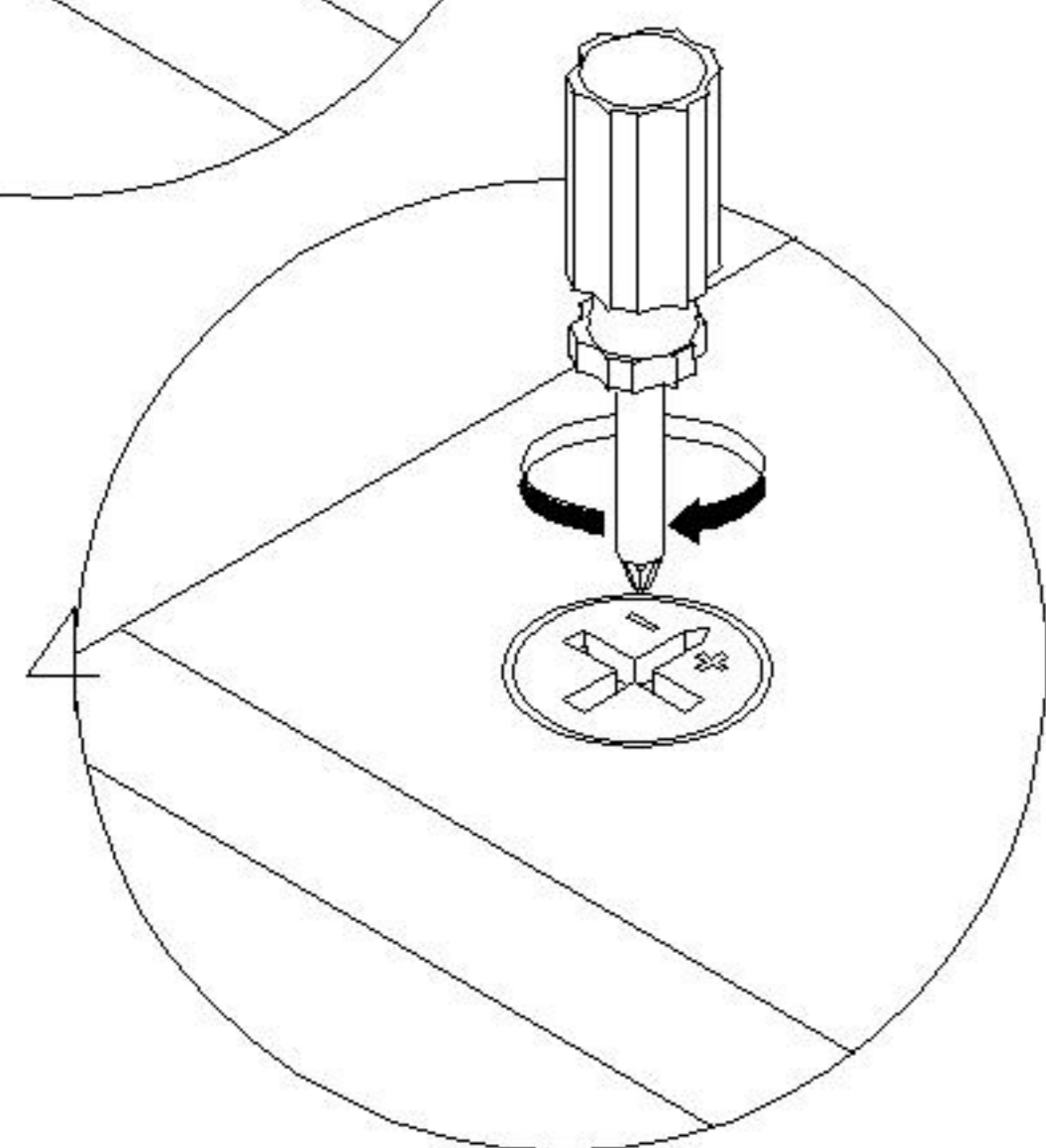
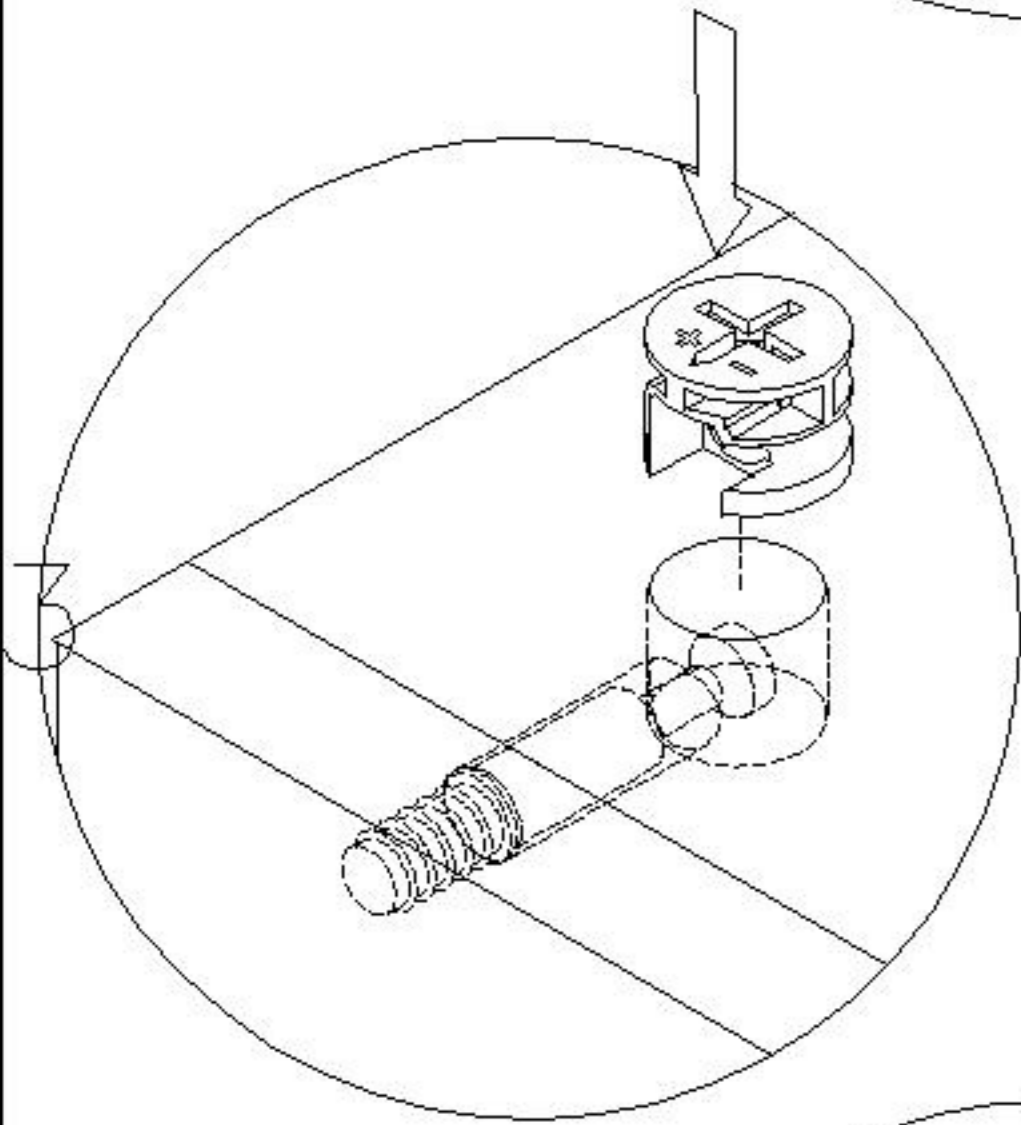
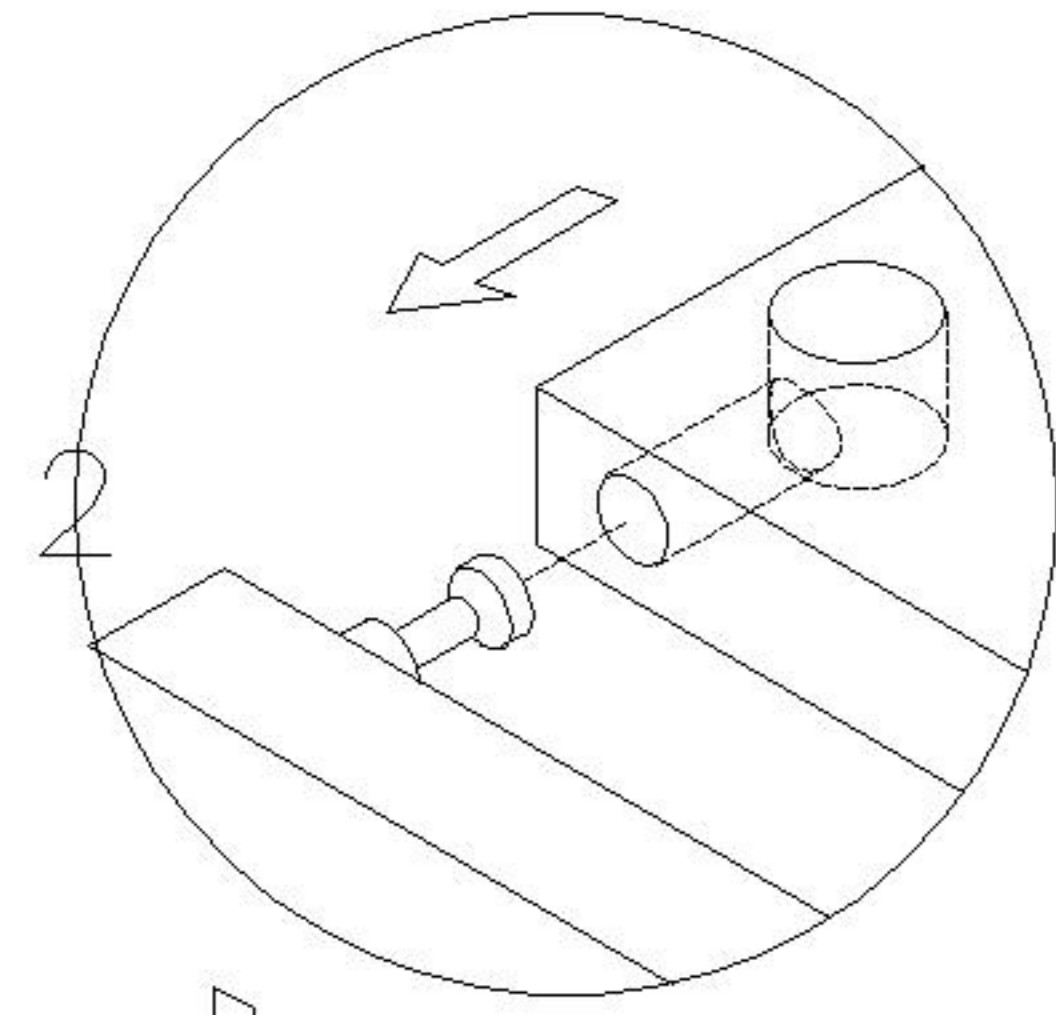
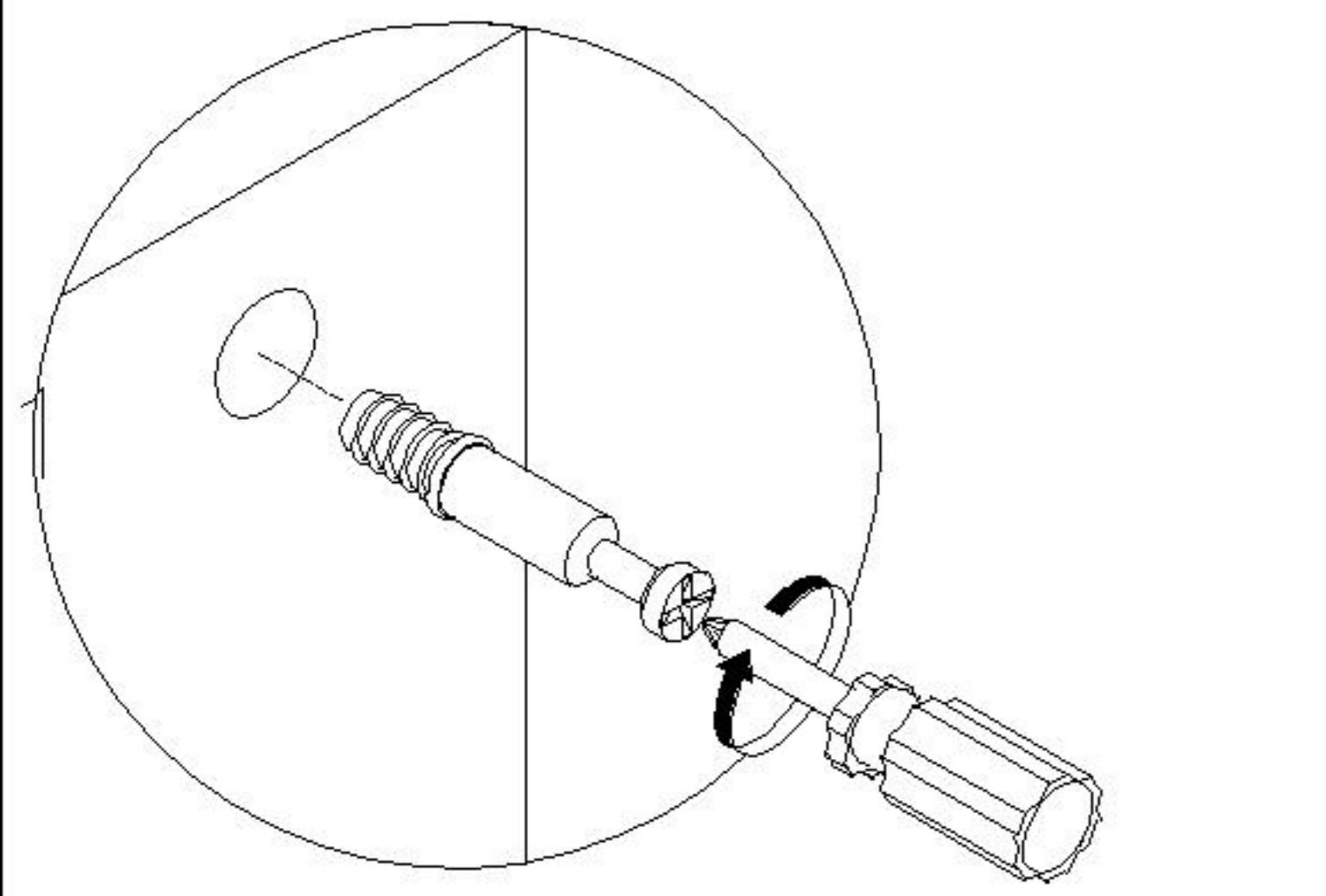
(A)*8
(B)*8
(C)*2
(P)*2



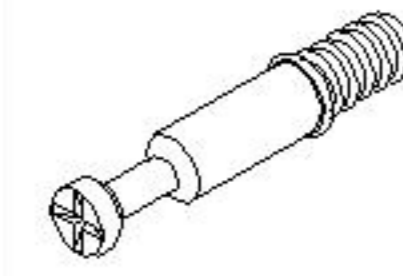
12

T04D-A1

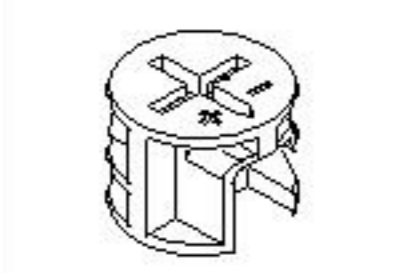
安装方法/
Installation method



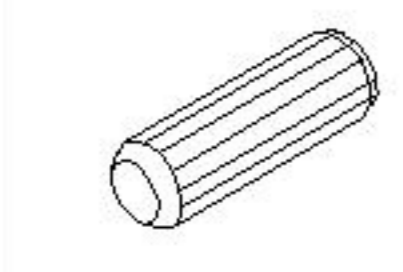
大二合一
two-in-one



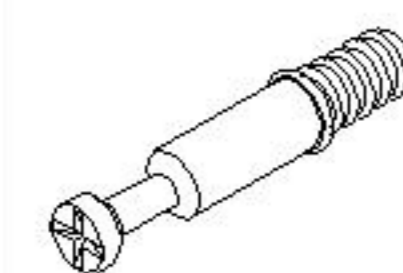
(A)*4



(B)*4



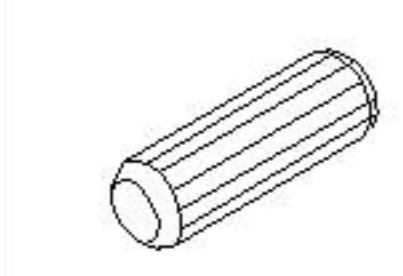
(C)*4



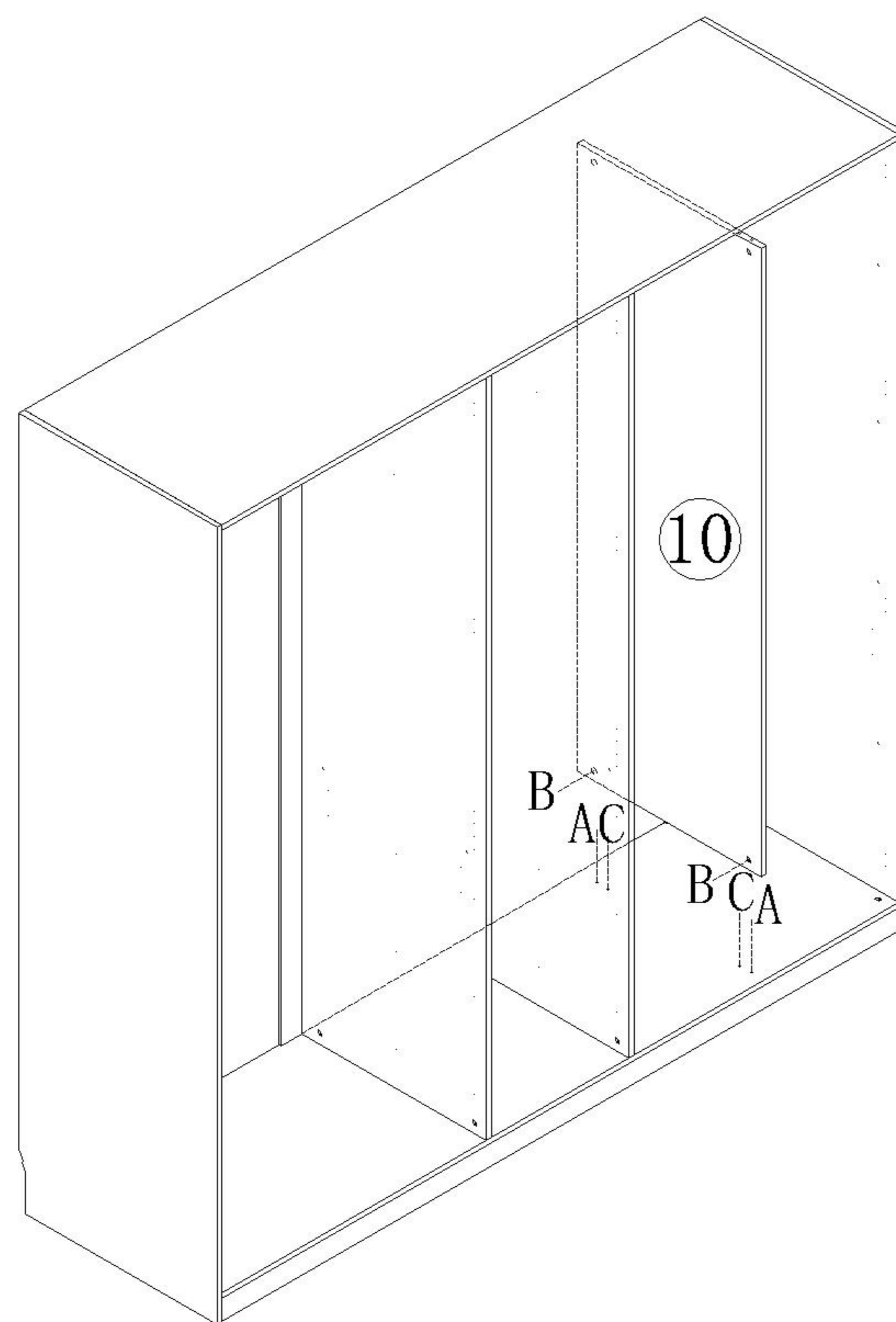
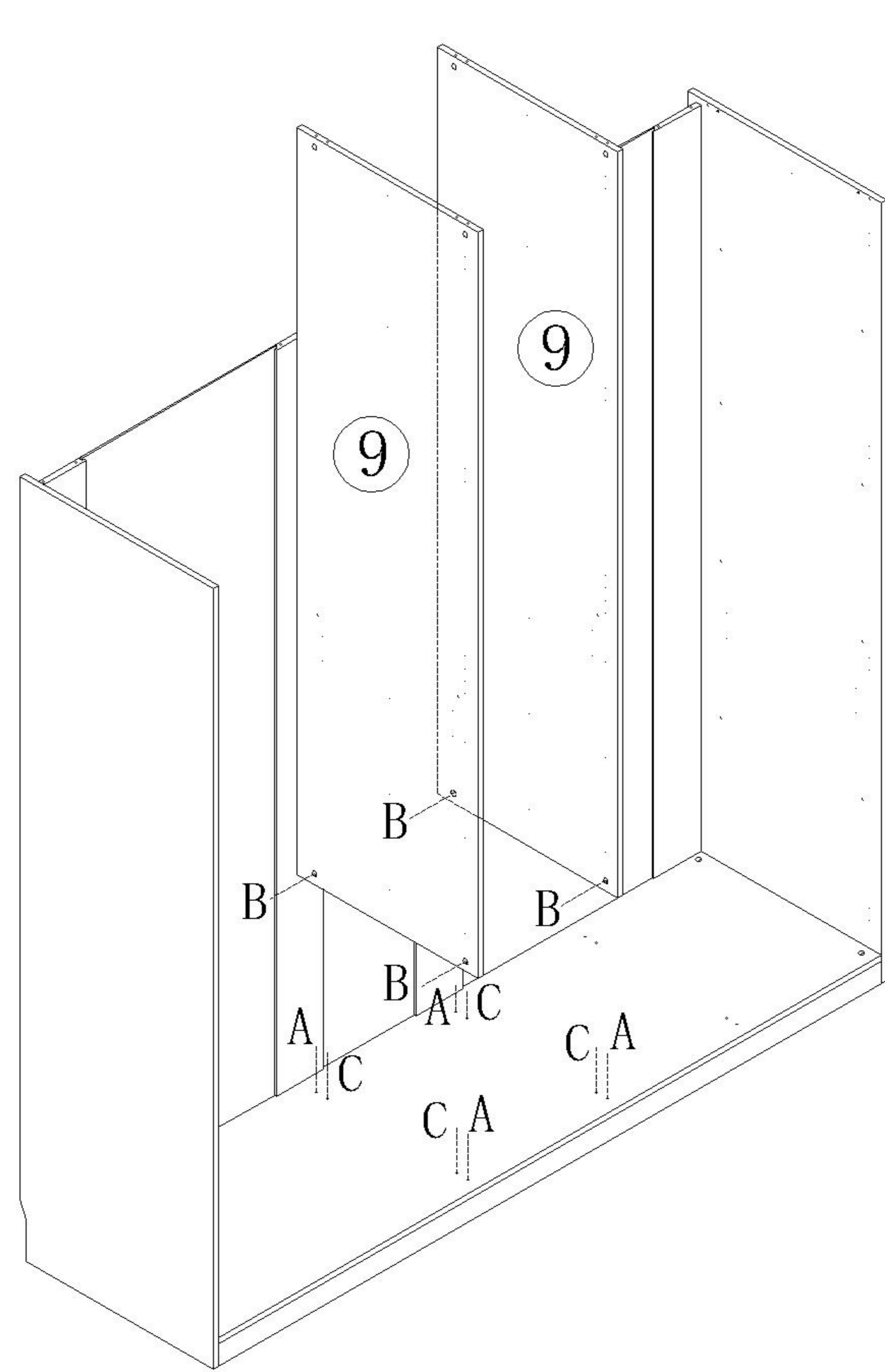
(A)*2



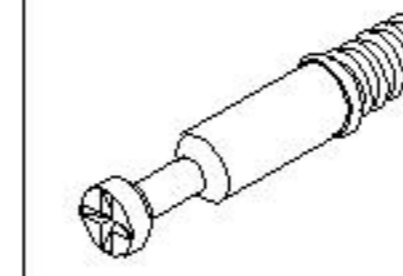
(B)*2



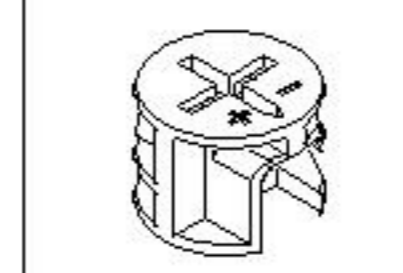
(C)*2



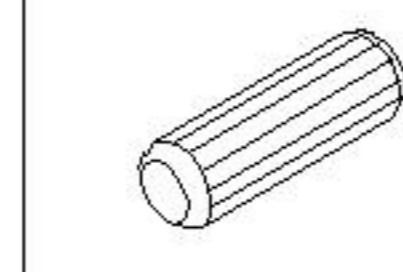
13



(A)*16

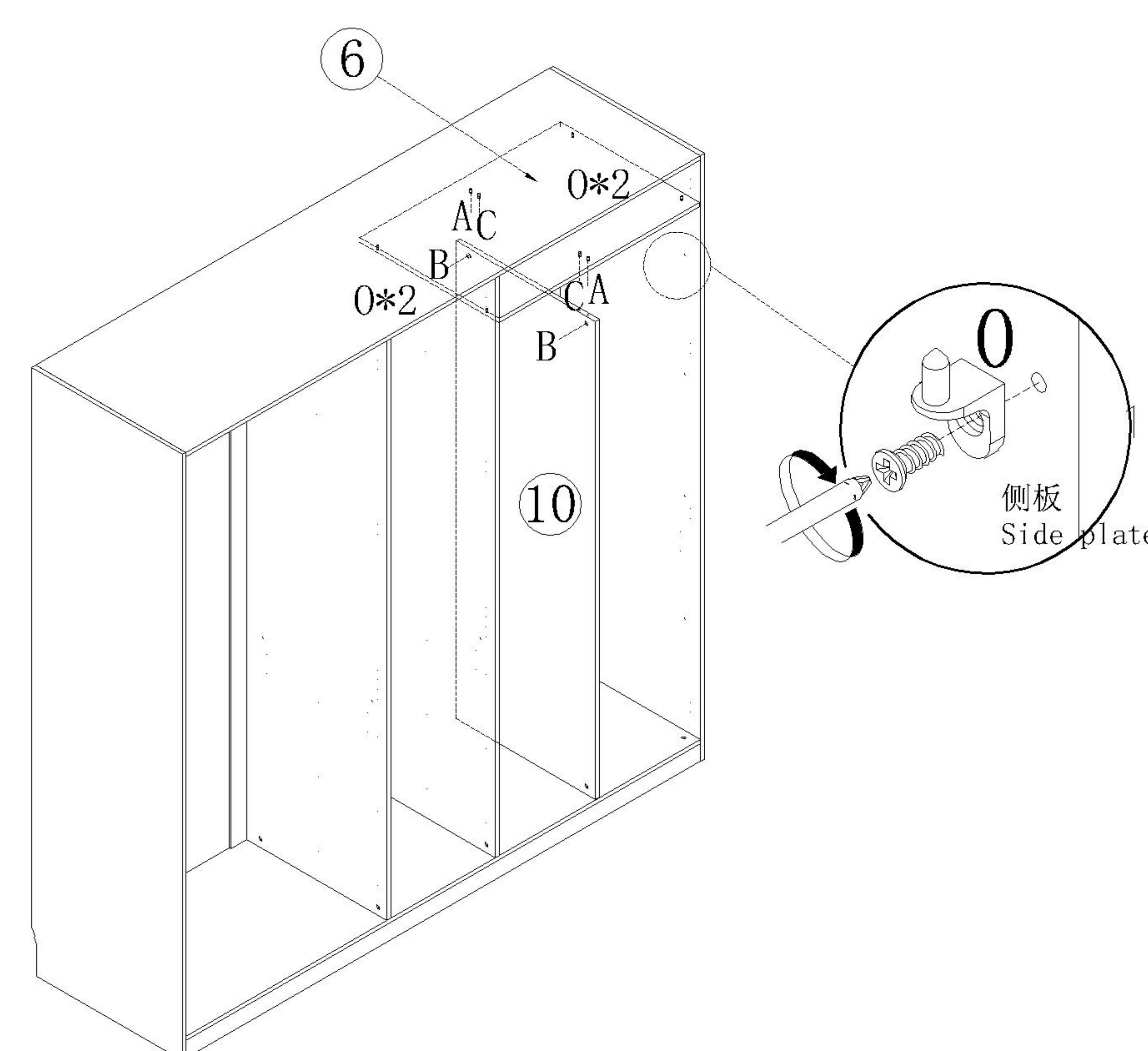
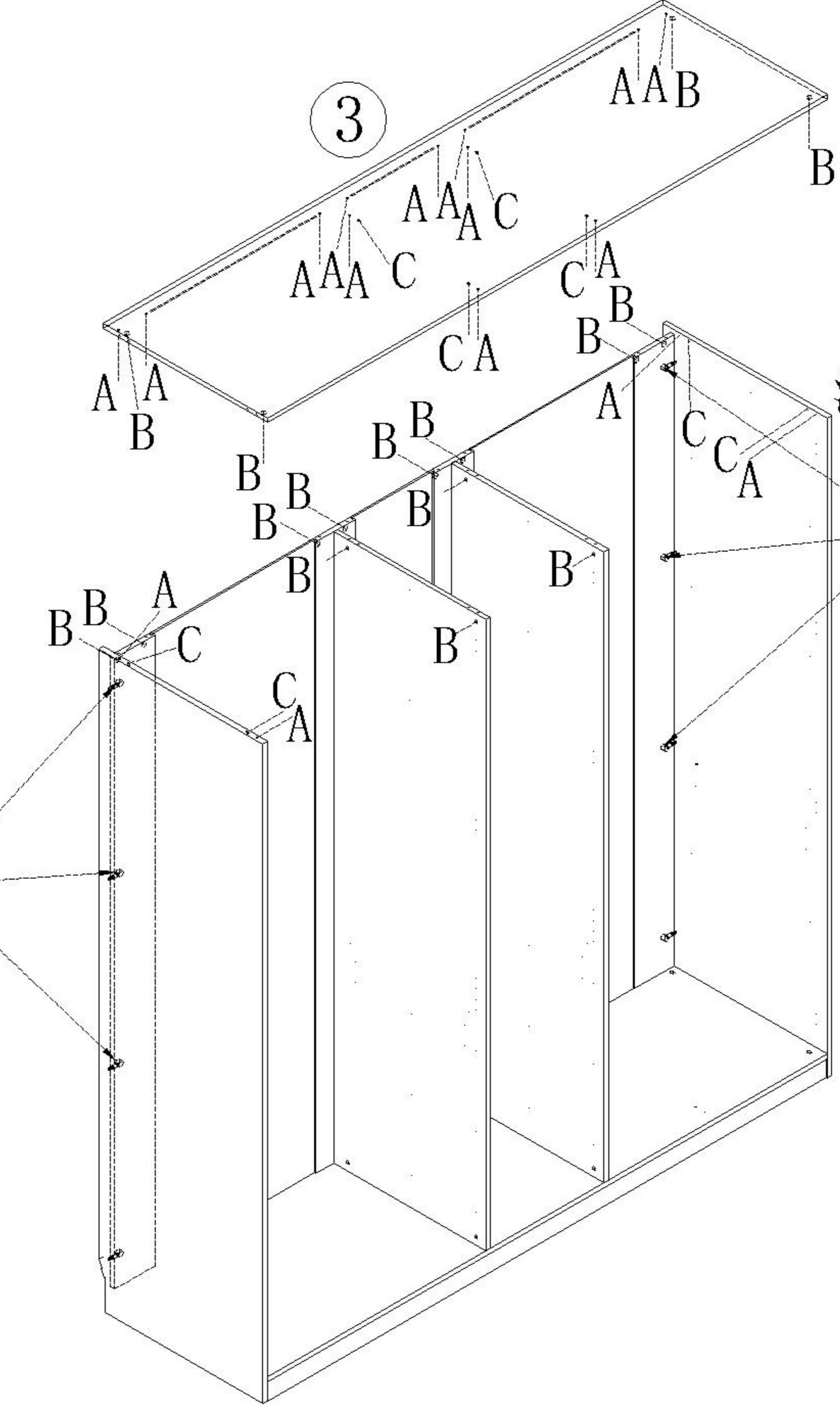


(B)*16



(C)*8

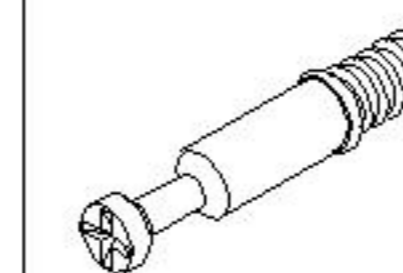
注：安装部件3时，
松开背面的锁块，
然后安装
Note: When
installing part
3, loosen the
lock block on
the back, and
then install



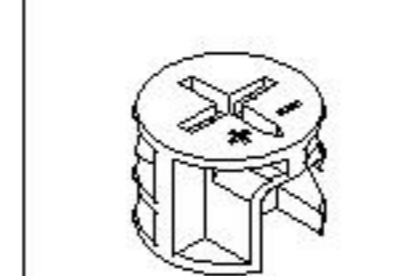
14

注：安装部件3时，
松开背面的锁块，
然后安装
Note: When
installing part
3, loosen the
lock block on
the back, and
then install

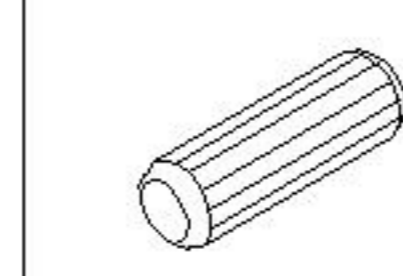
15



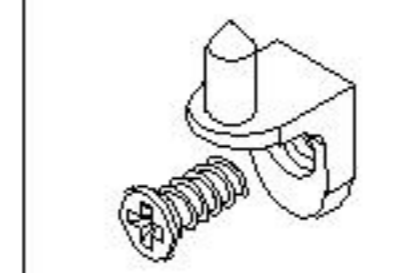
(A)*2



(B)*2



(C)*2



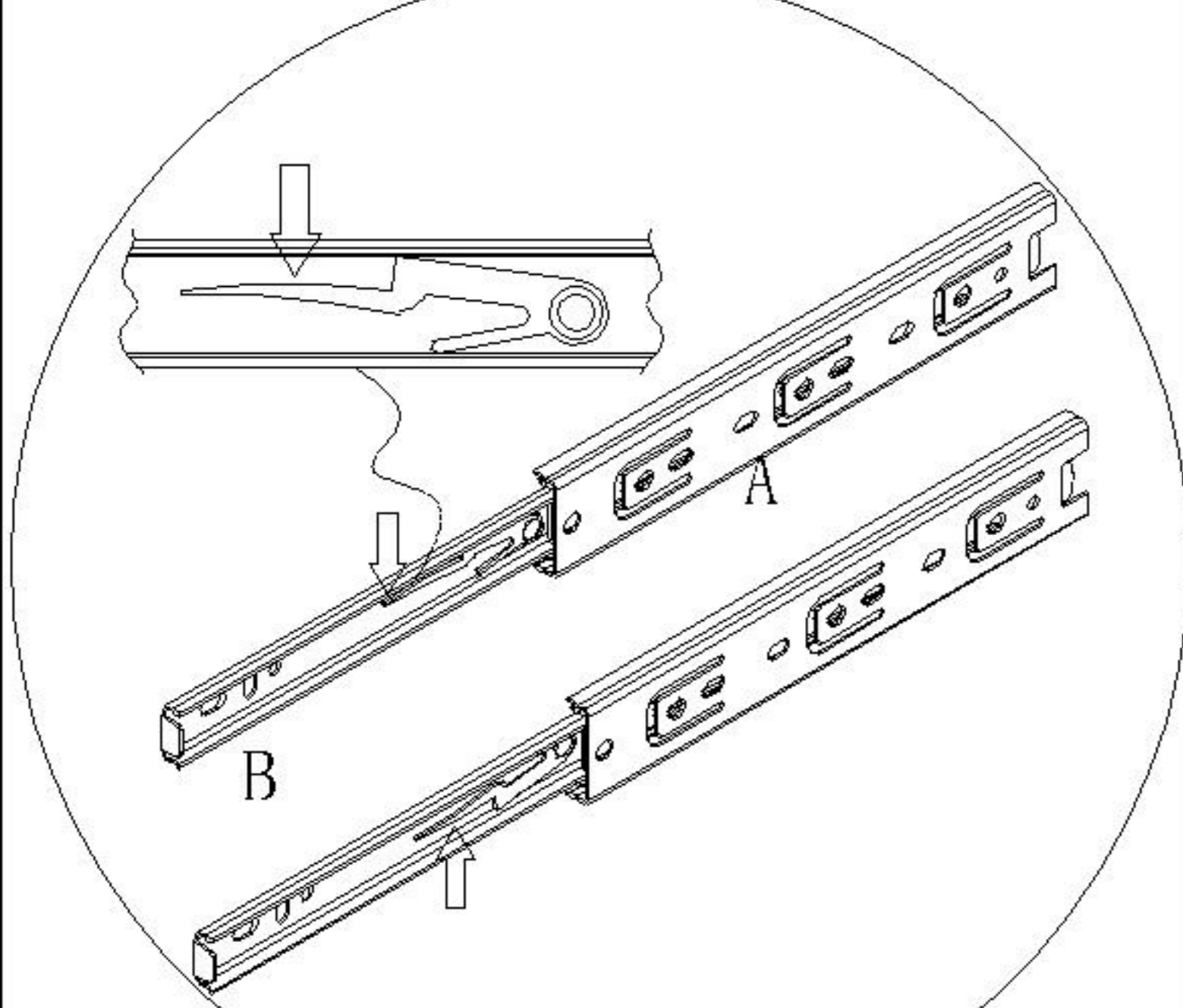
(O)*4

侧板
Side plate

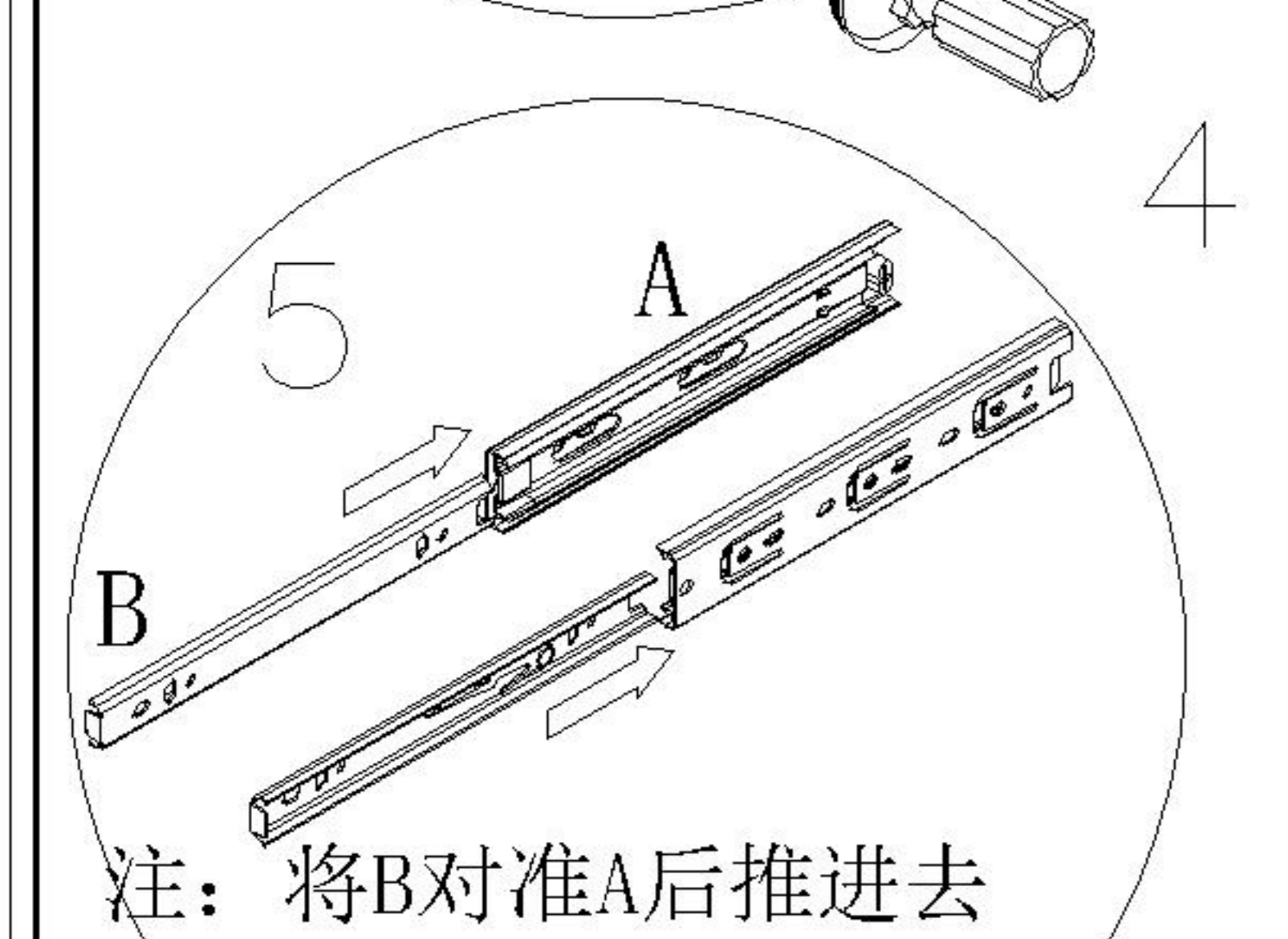
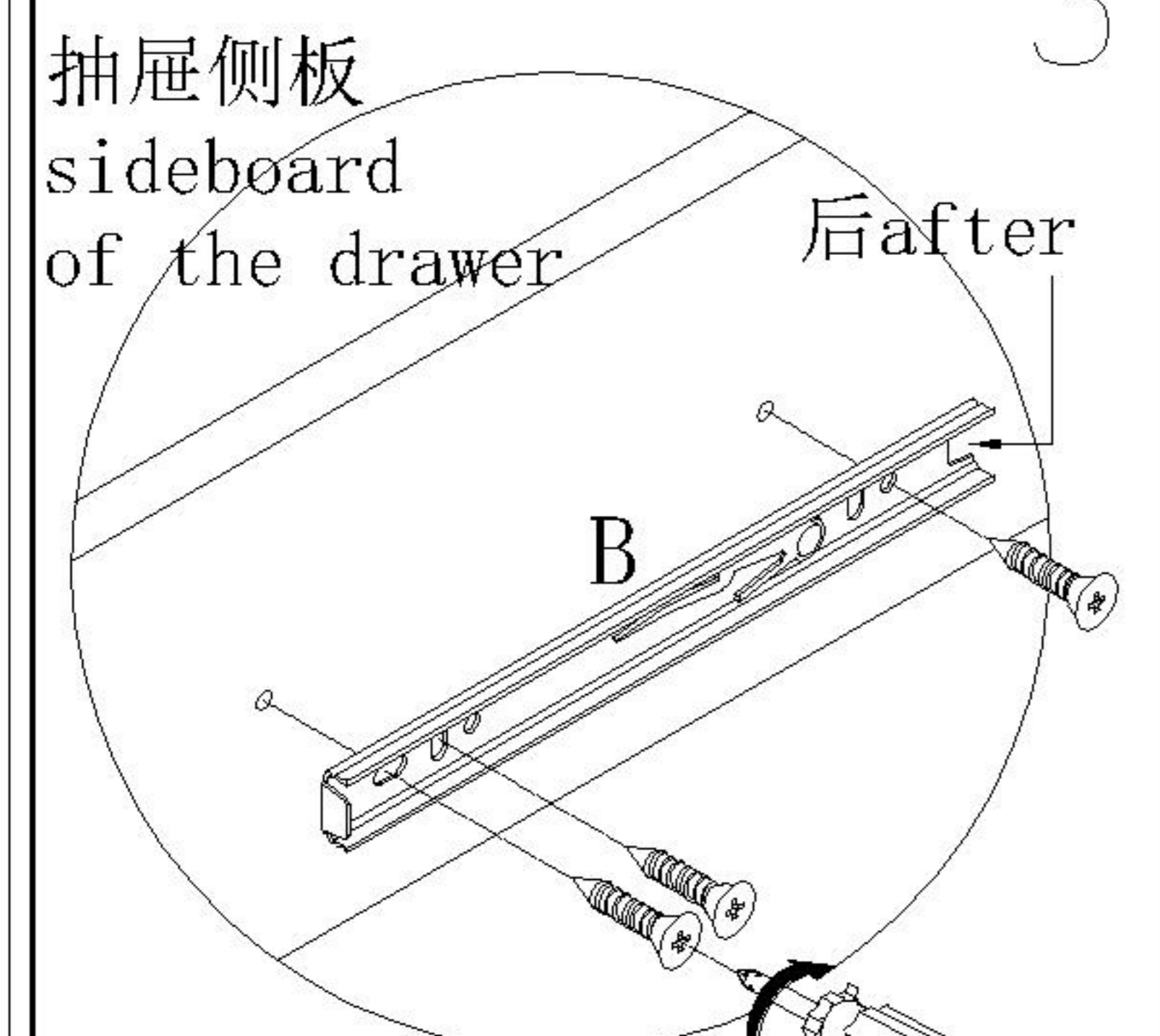
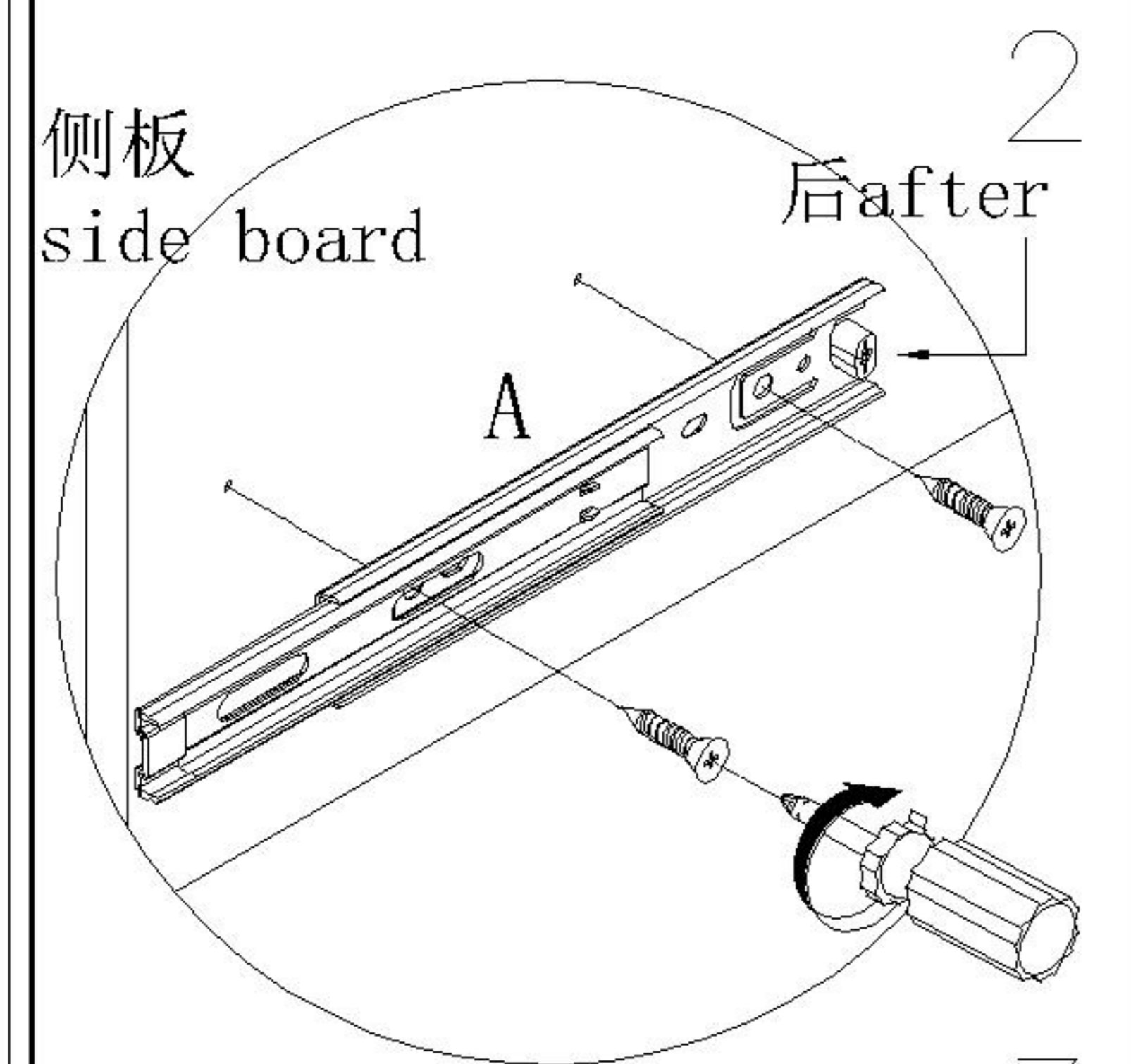
T04D-A1

安装方法/
Installation method

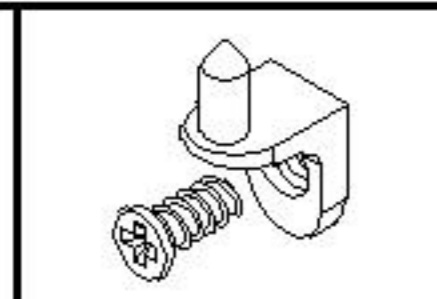
阀门开关(下压为开)
Valve switch
(press down to open)



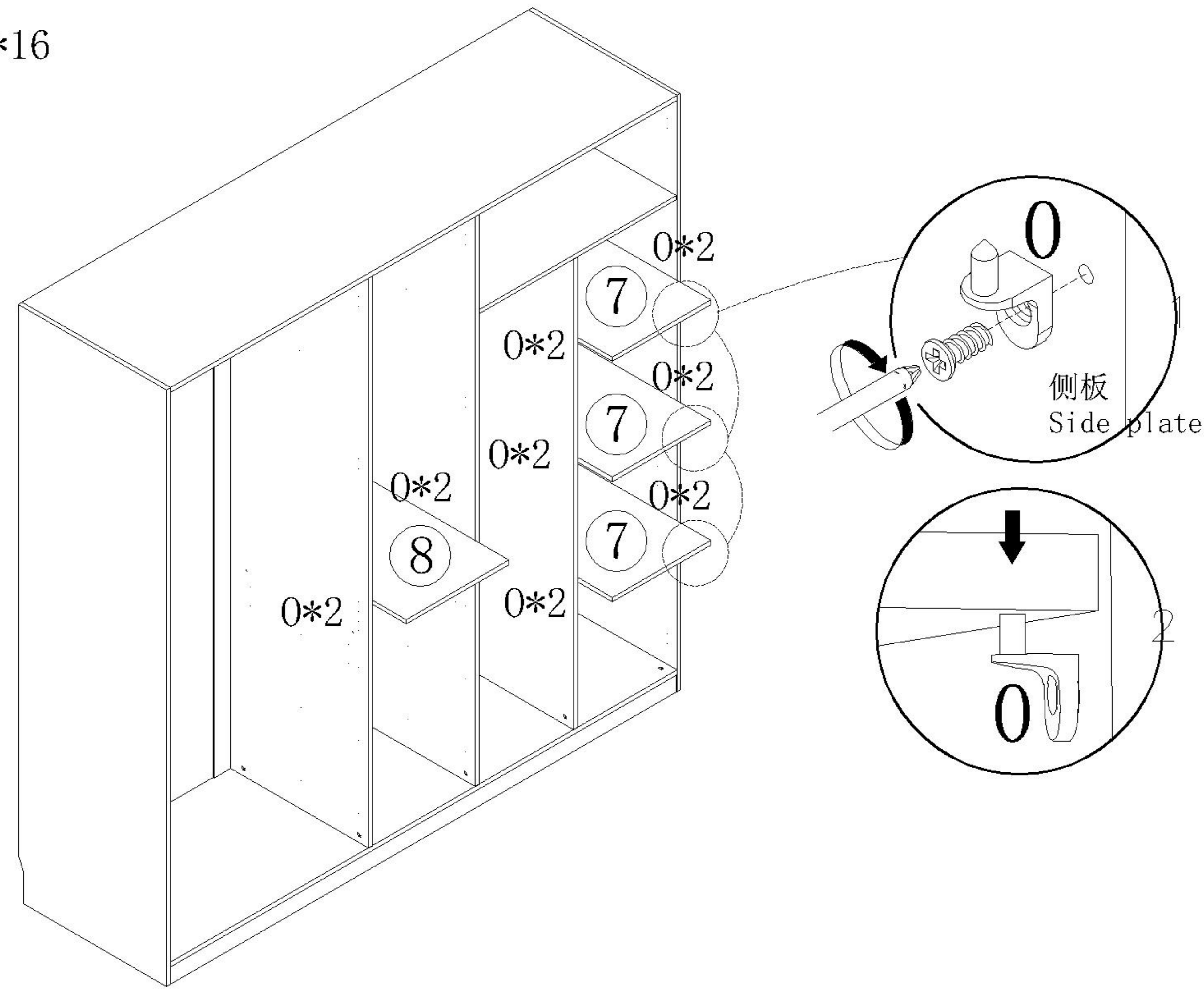
注: 先将A与B拆下来
Note: remove a and B first



注: 将B对准A后推进去
Note: align B with a and push it in
三节滚珠导轨
three-section ball rail



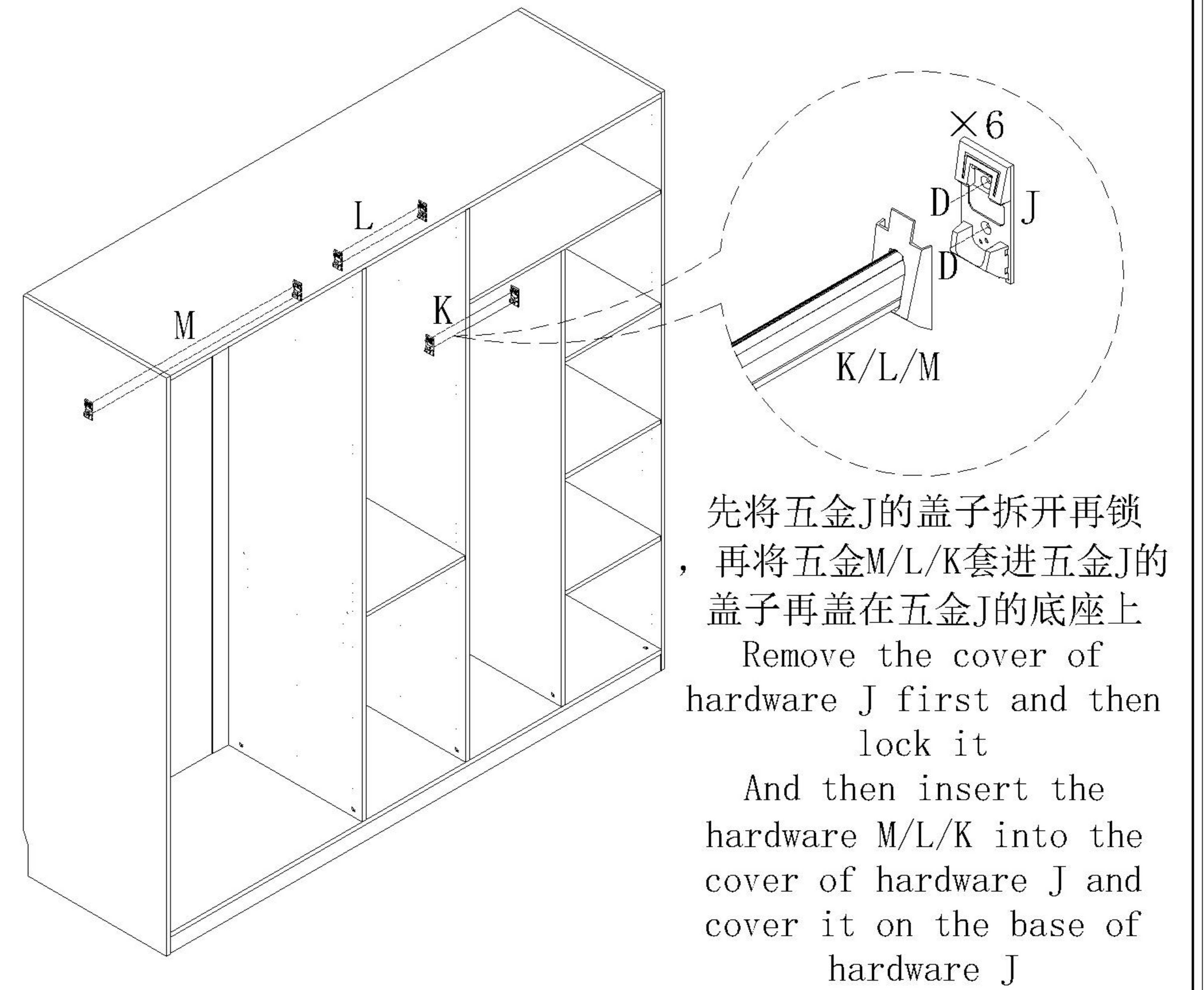
(O)*16



17

- (D)*12
- (J)*6
- (K)*1
- (L)*1
- (M)*1

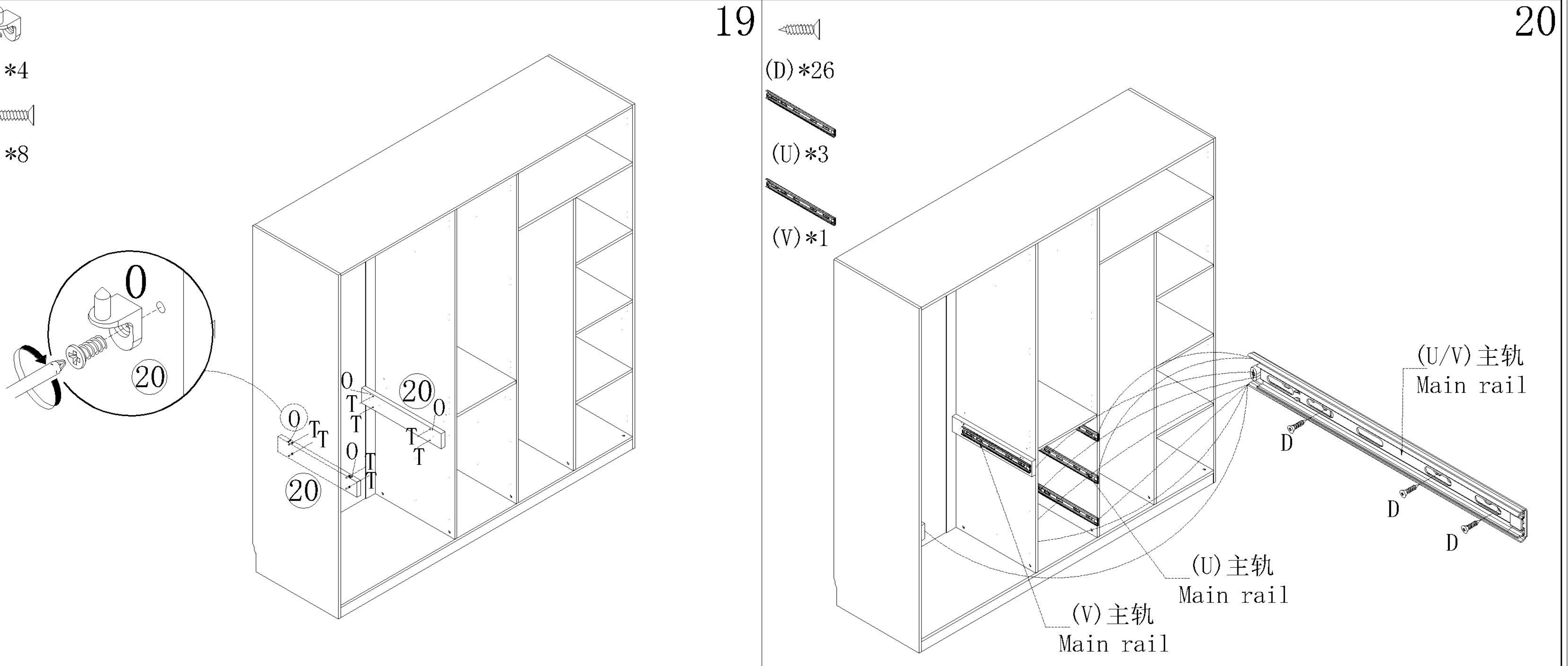
18



19

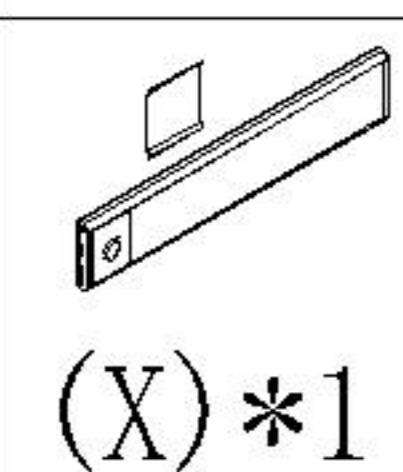
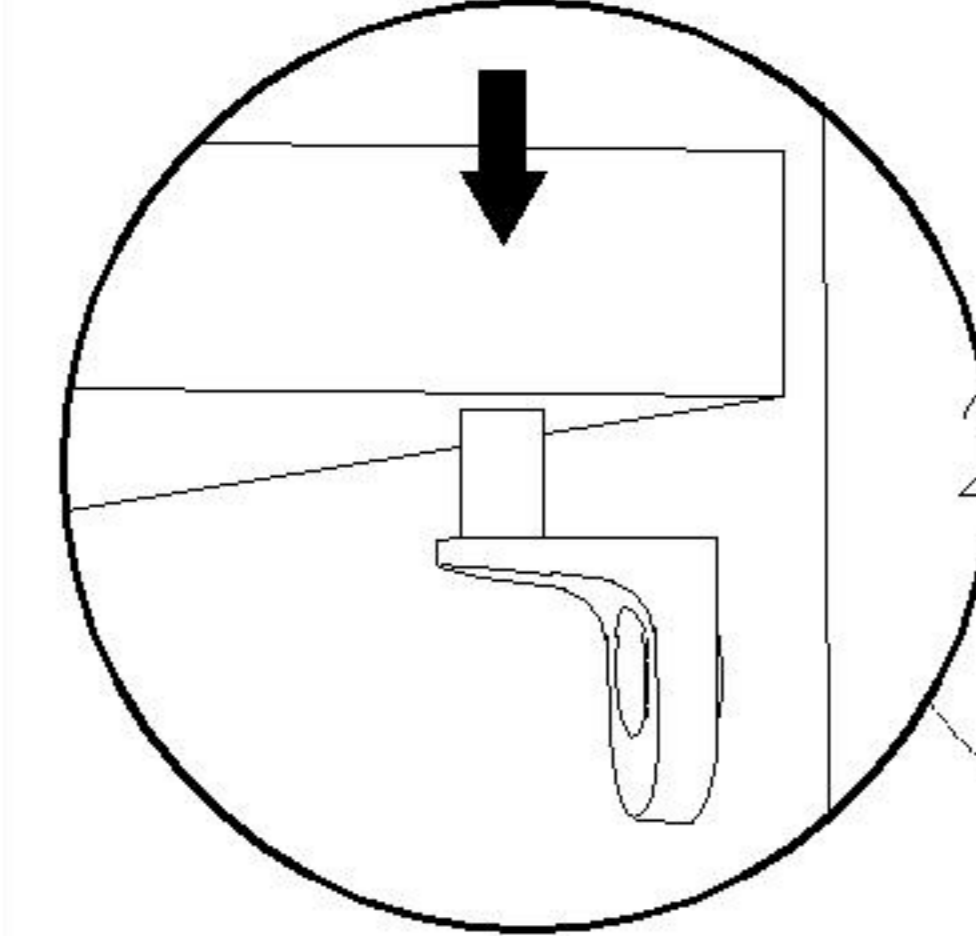
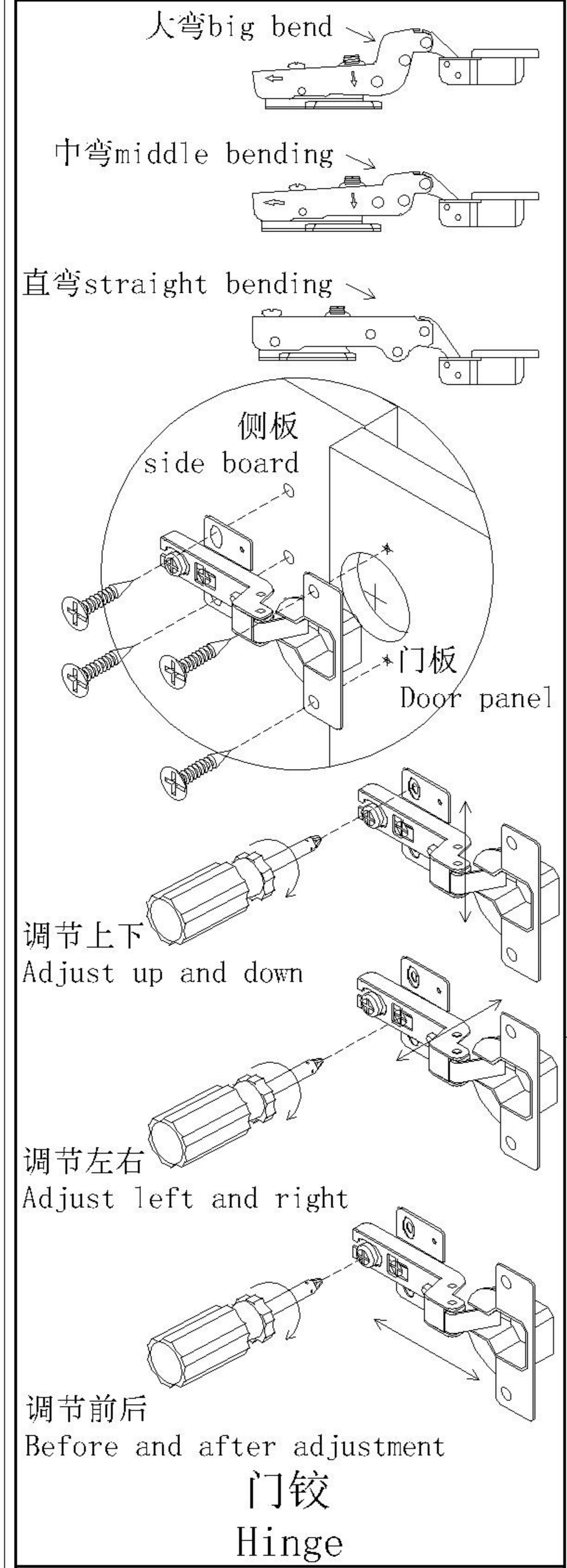
- (D)*26
- (U)*3
- (V)*1

20

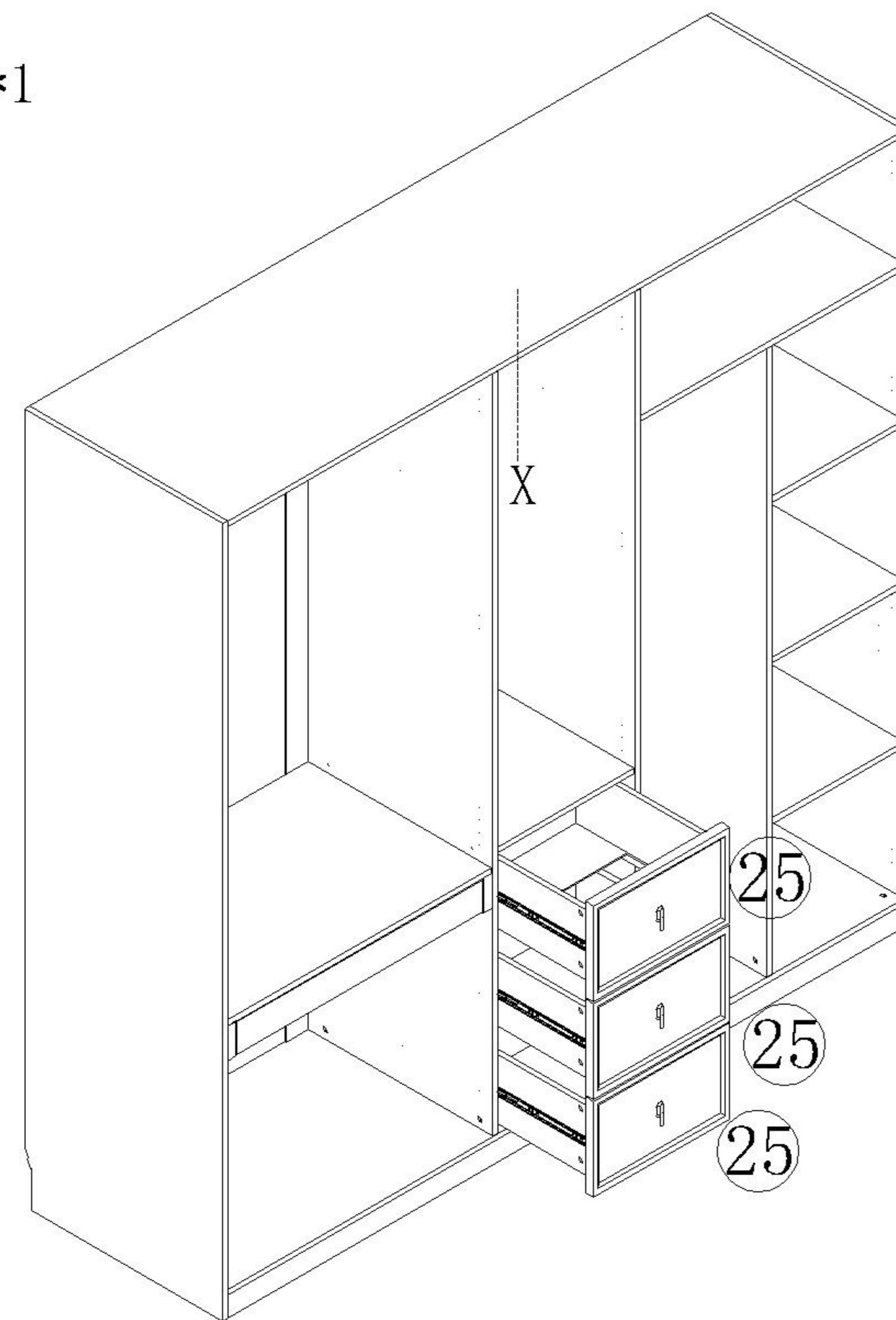


T04D-A1

安装方法/
Installation method



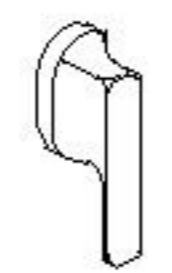
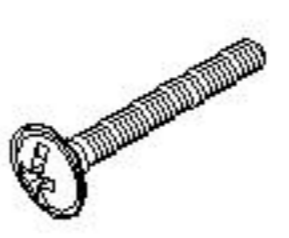
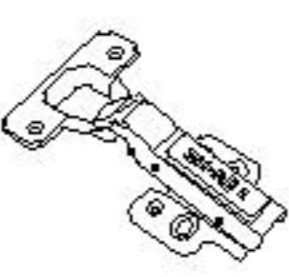
(X)*1



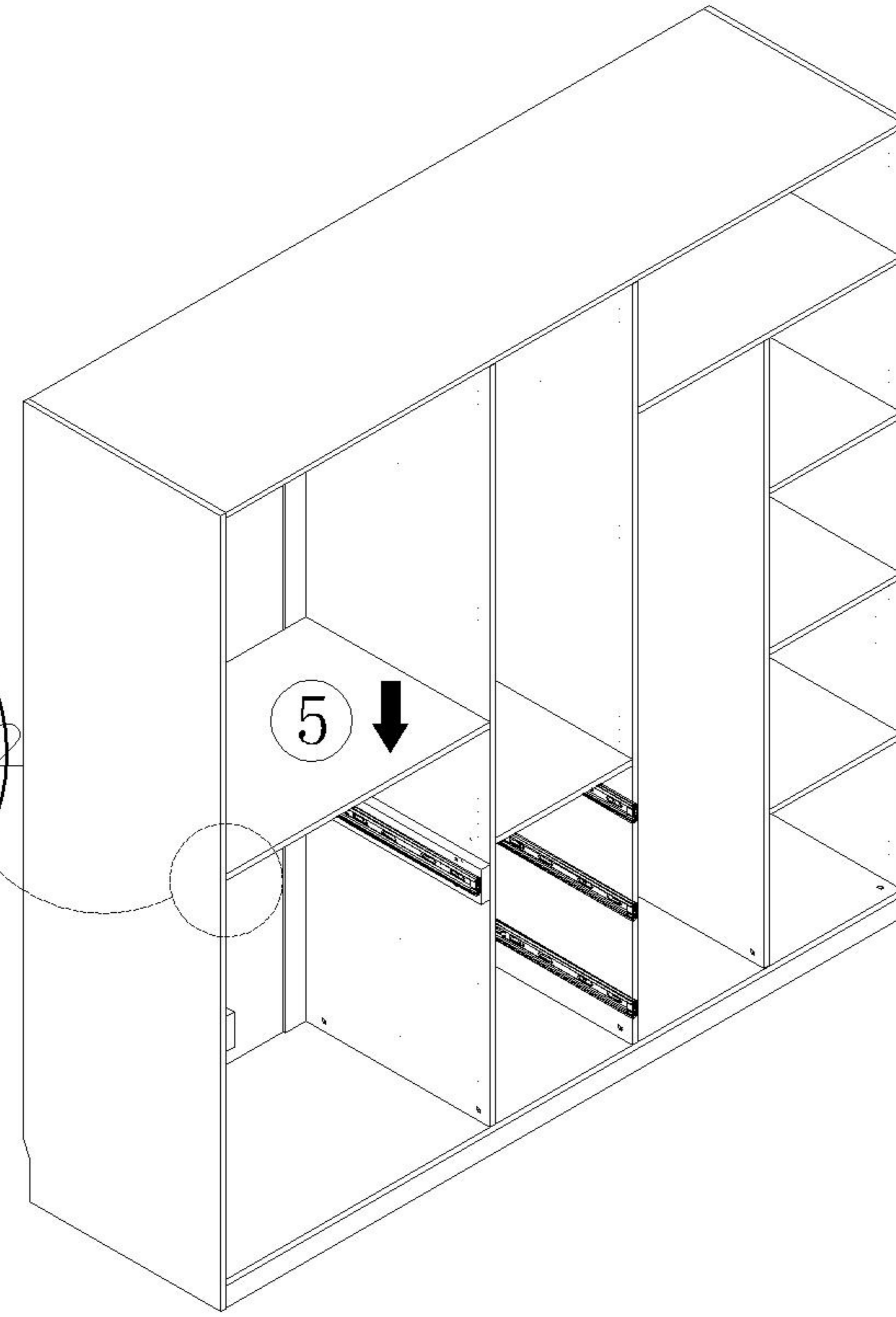
注意!五金X: 把3M胶铁片贴在顶板的适宜位置上, 把人体感应LED灯开关调整后放入即可使用。

Attention! Hardware X: Put the 3M rubber iron sheet on the appropriate position of the top plate, adjust the human induction LED light switch and then put it into use.

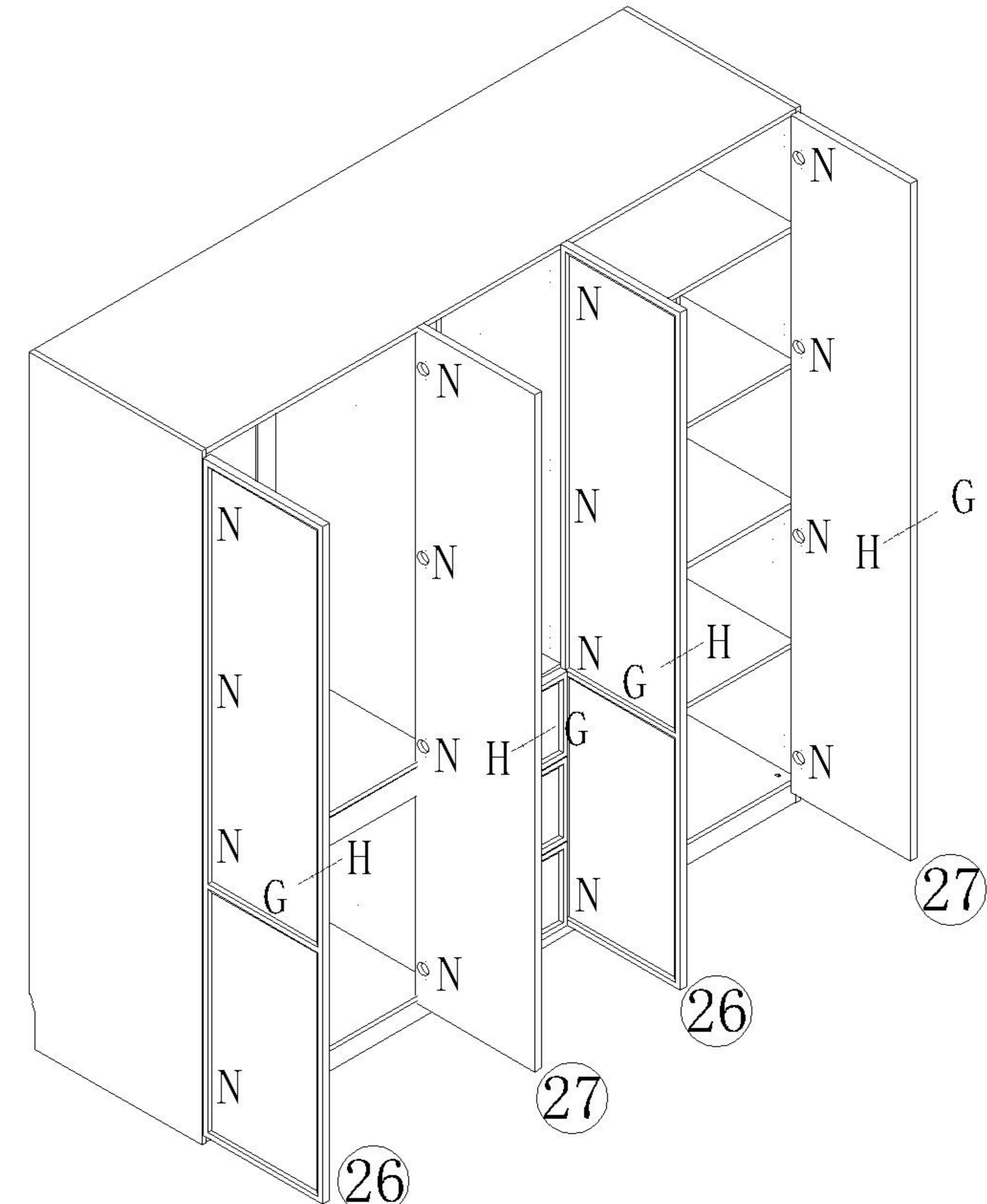
23

-  (G)*4
-  (H)*4
-  (N)*16

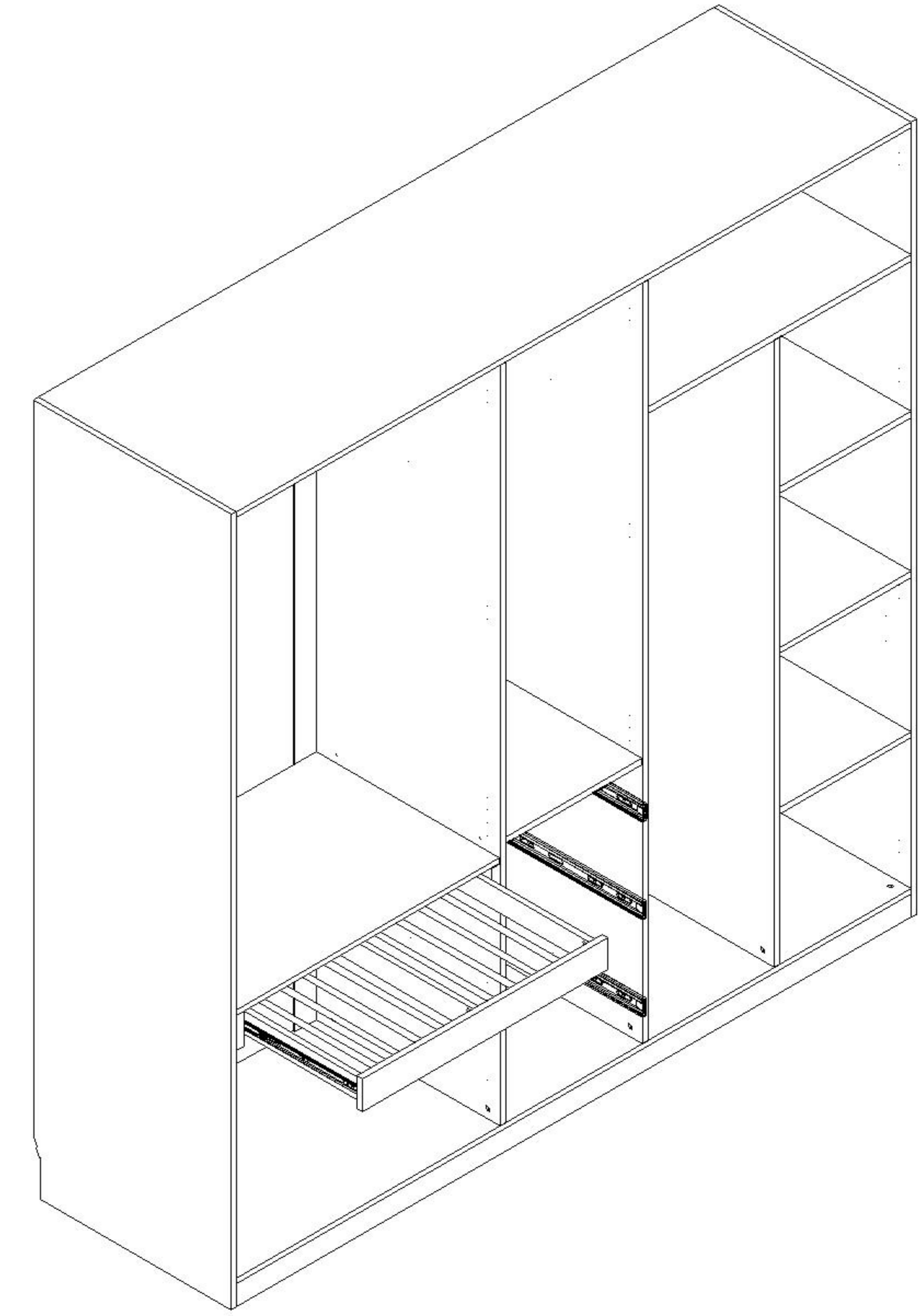
21



24

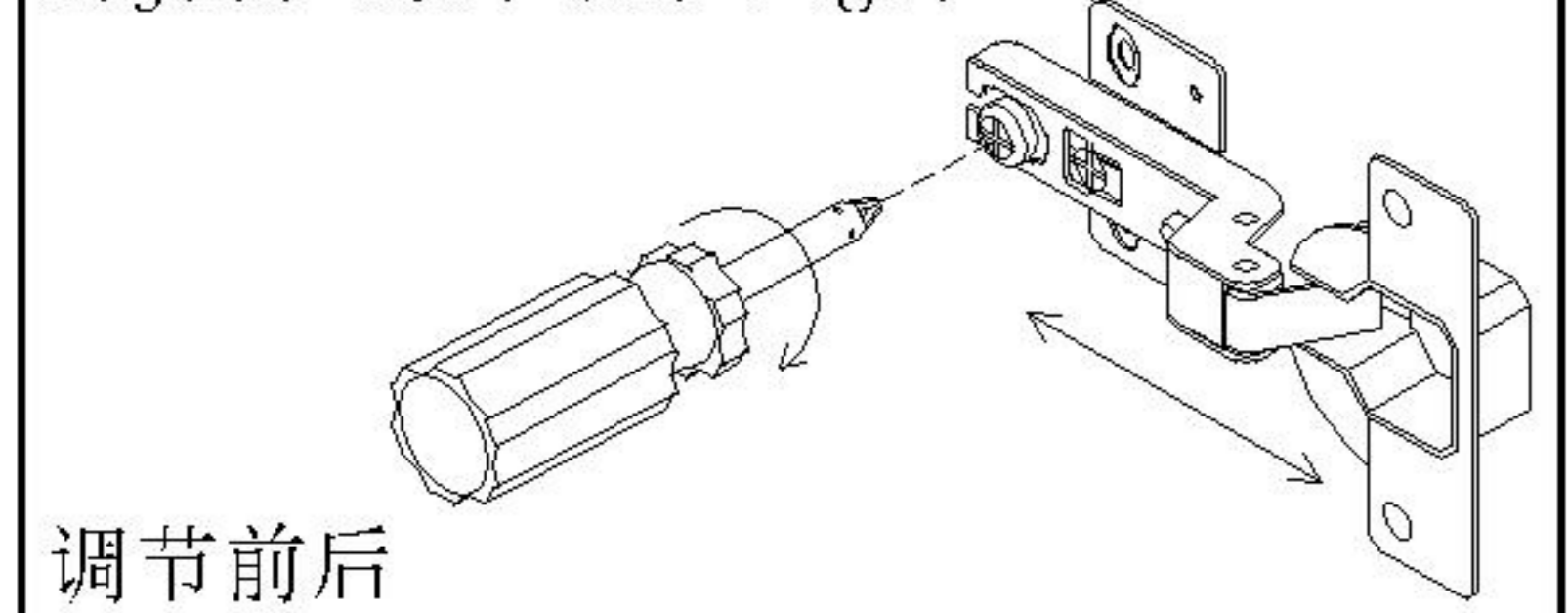
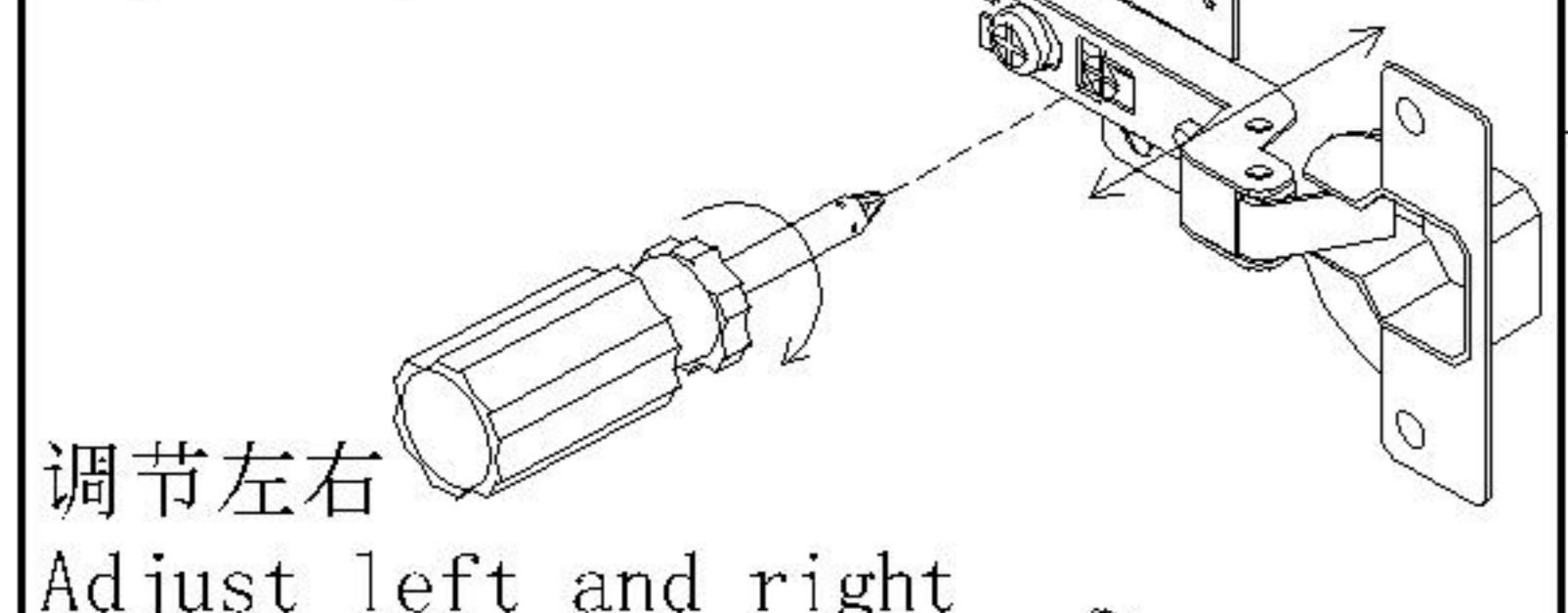
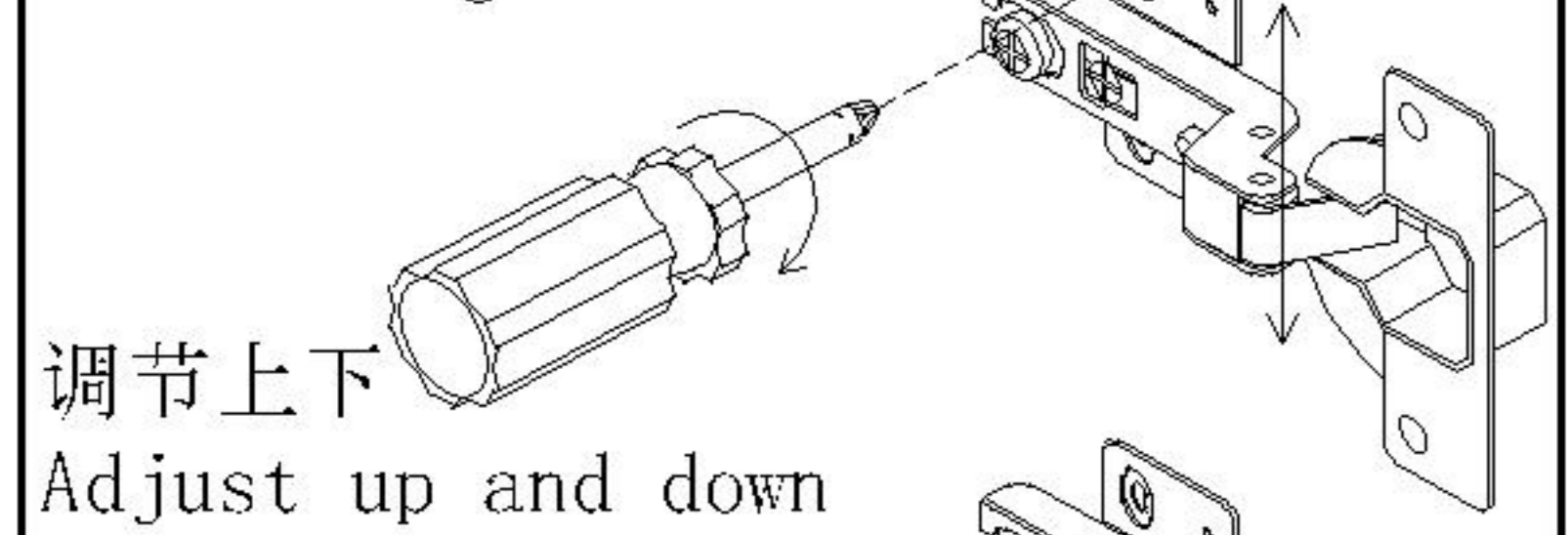
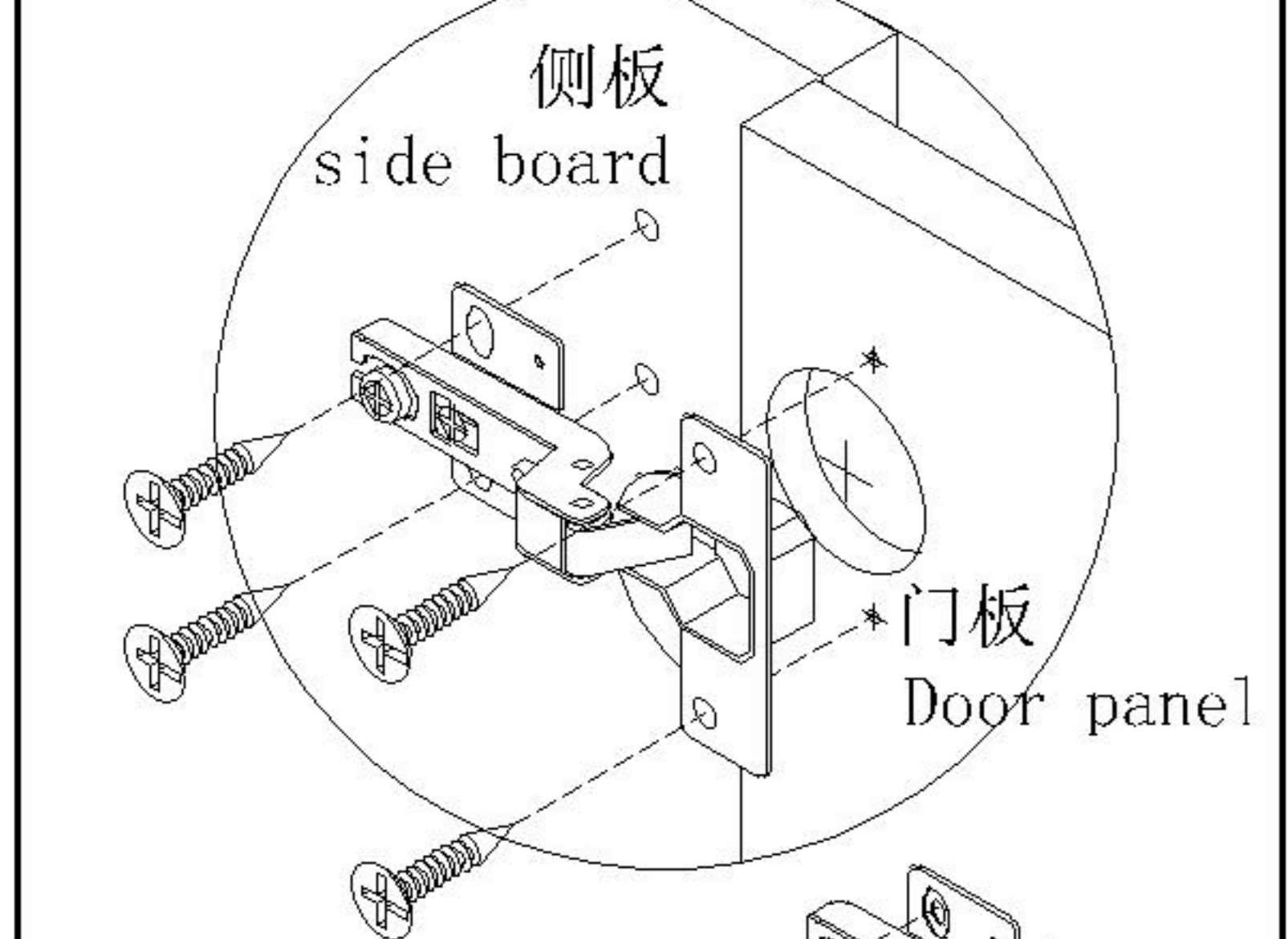
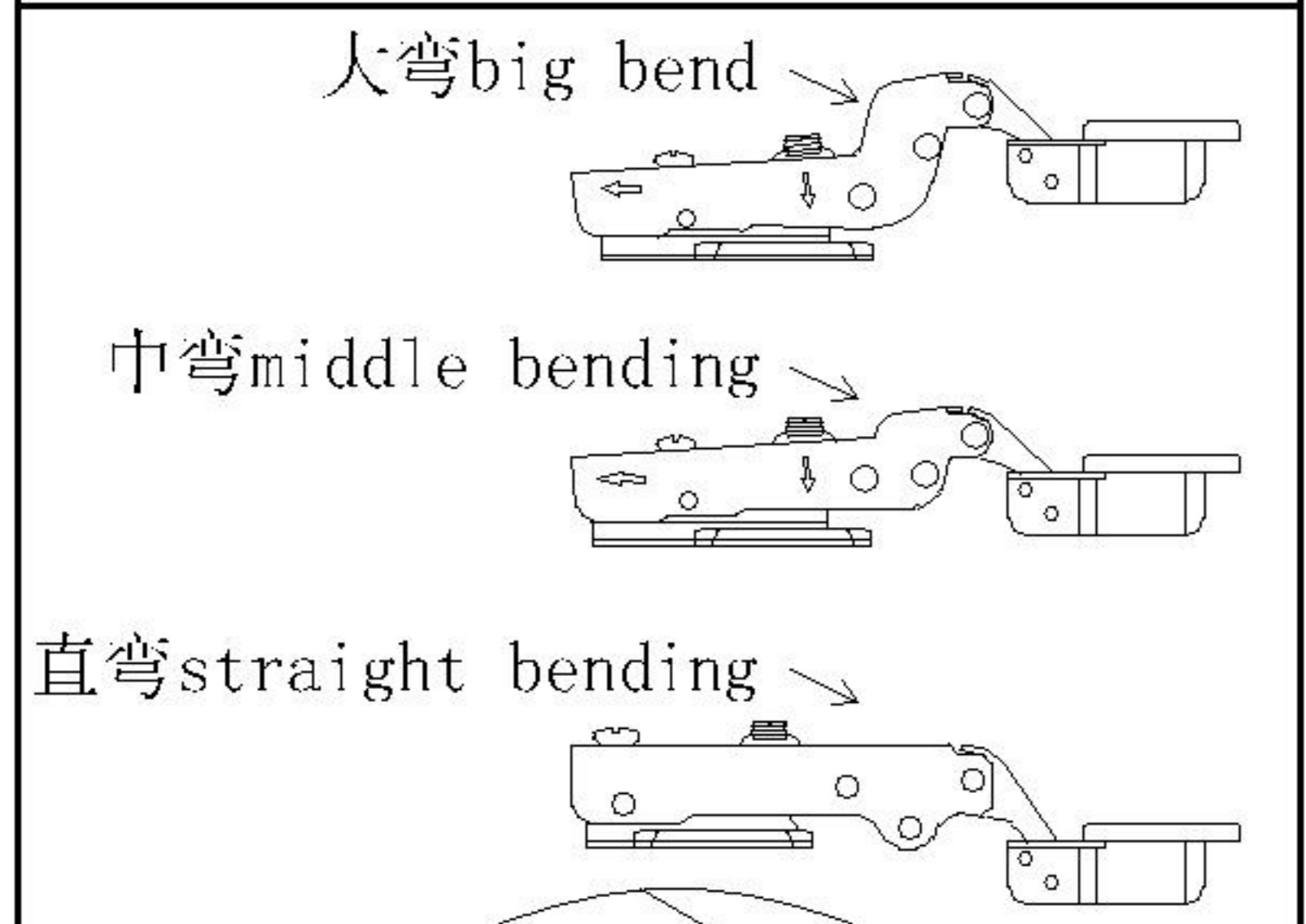


22



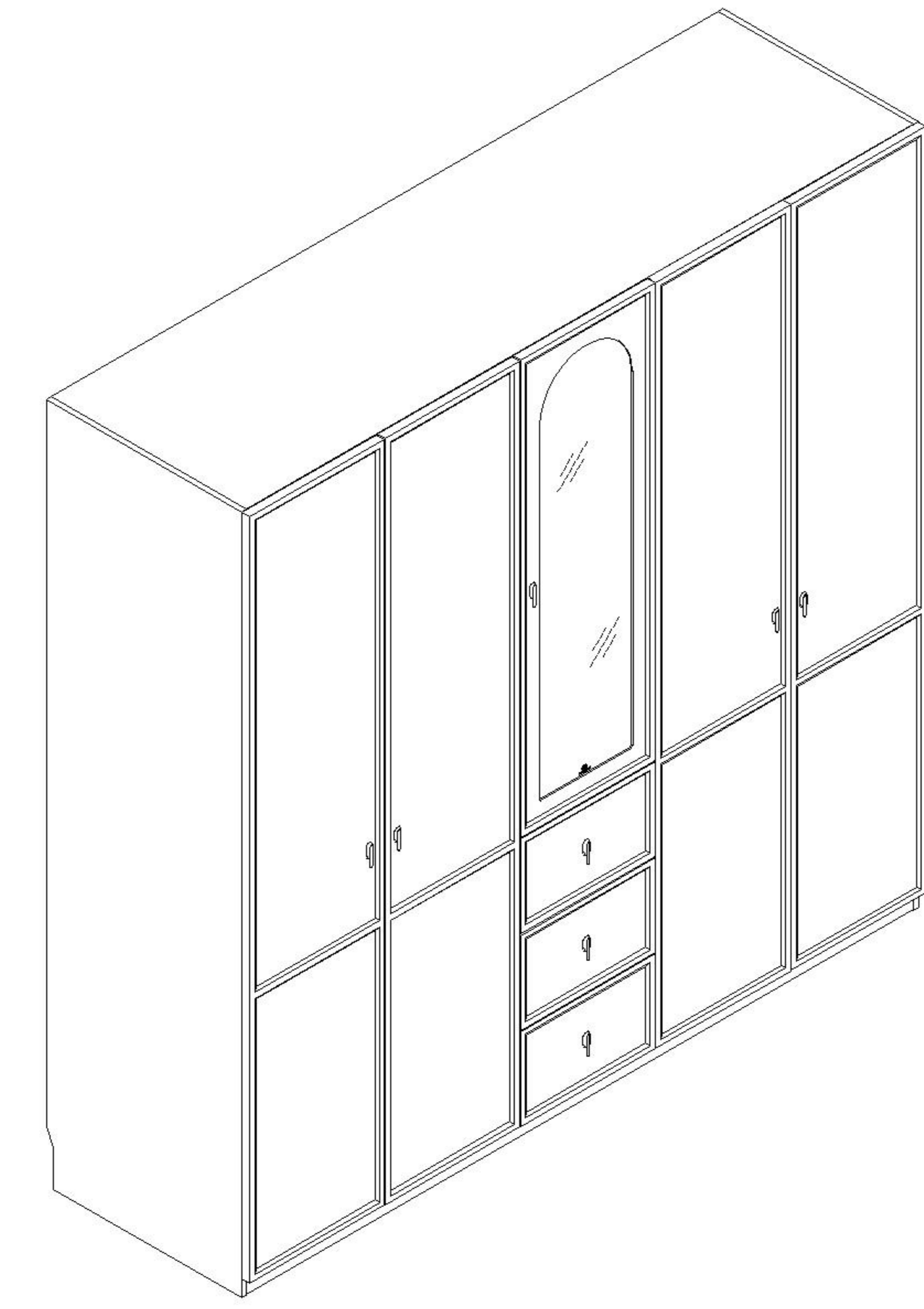
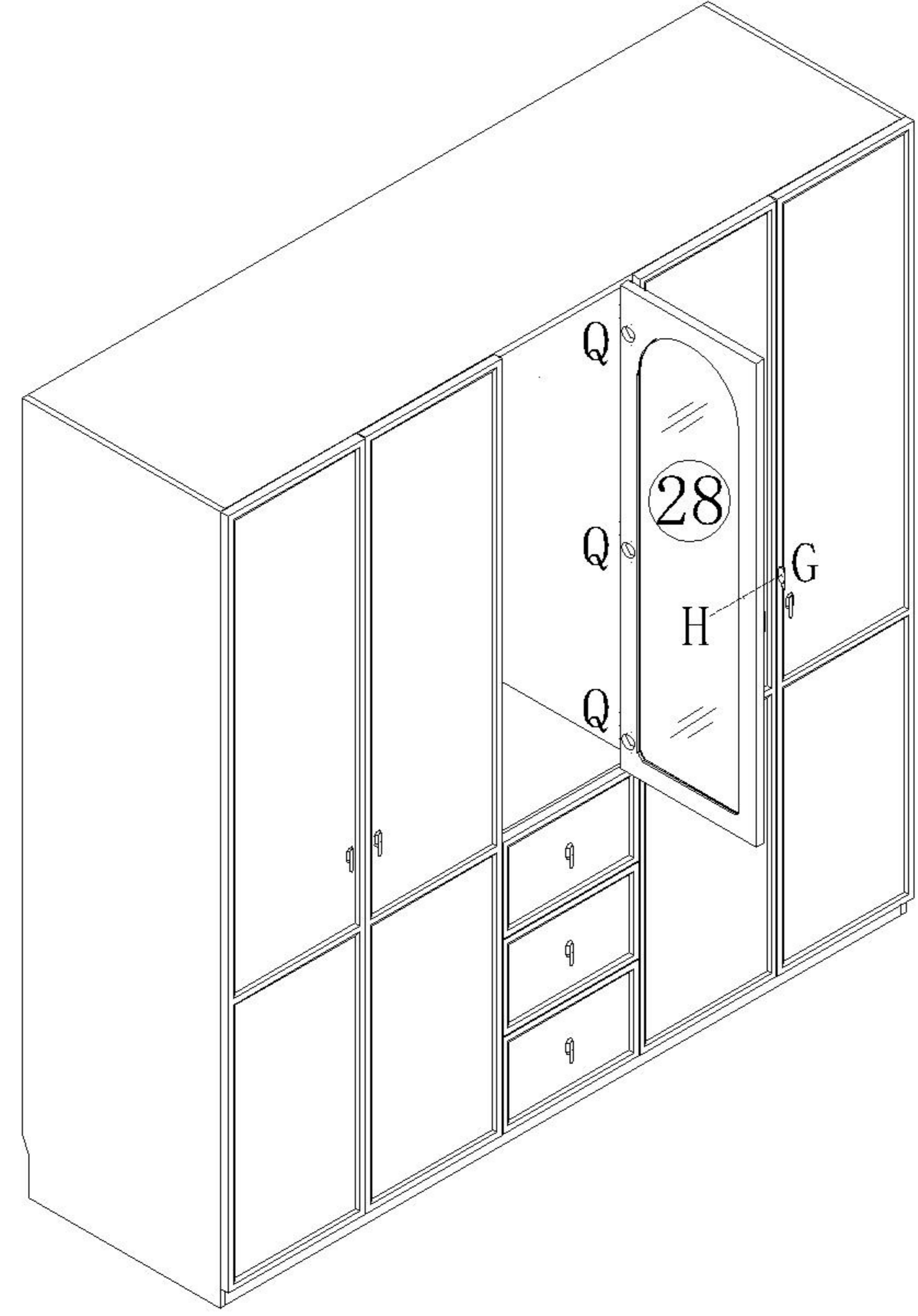
T04D-A1

安装方法/
Installation method

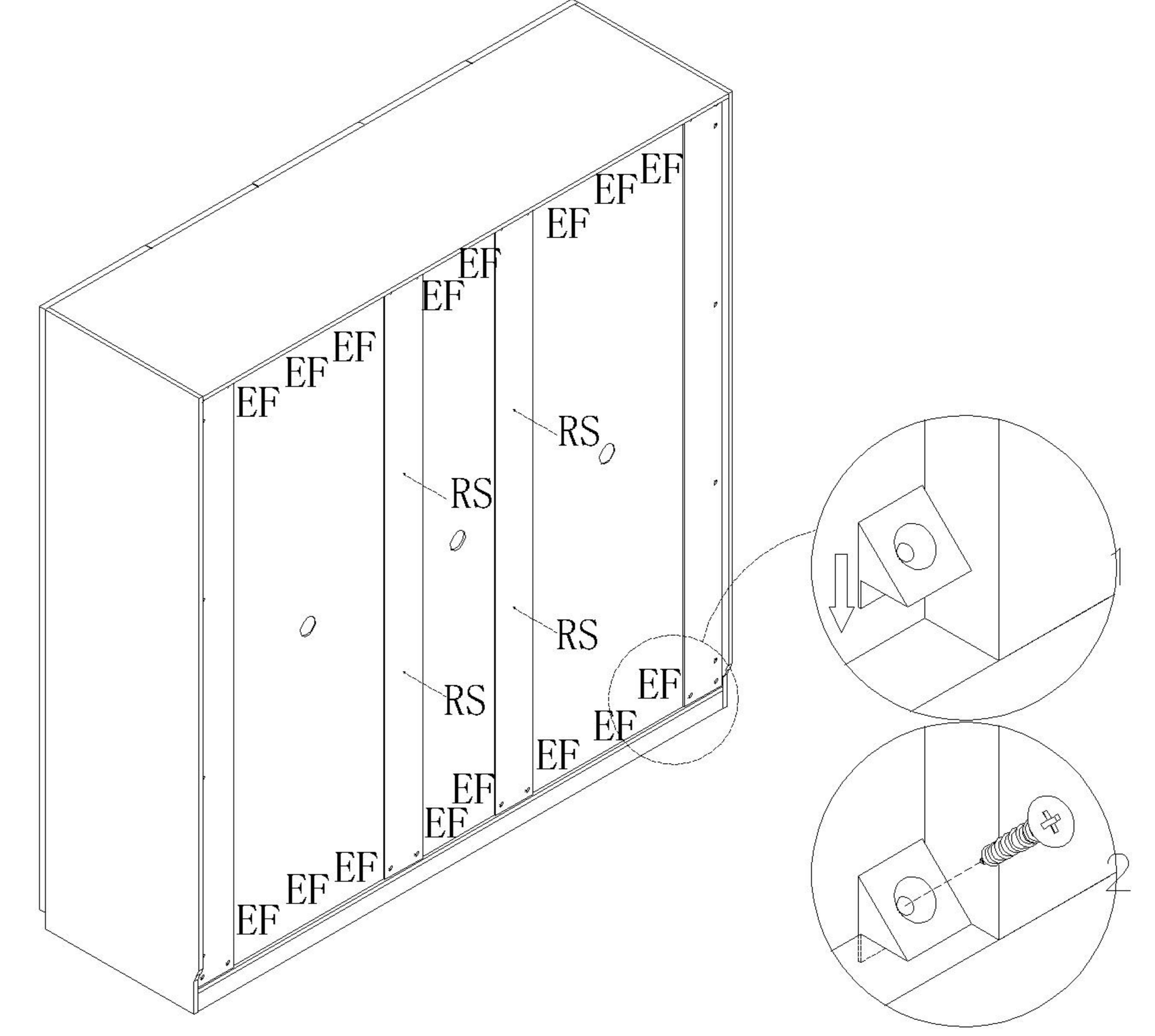


门铰
Hinge

- (G)*1
- (H)*1
- (Q)*3



- 25
- (E)*16
 - (F)*16
 - (R)*4
 - (S)*1



26