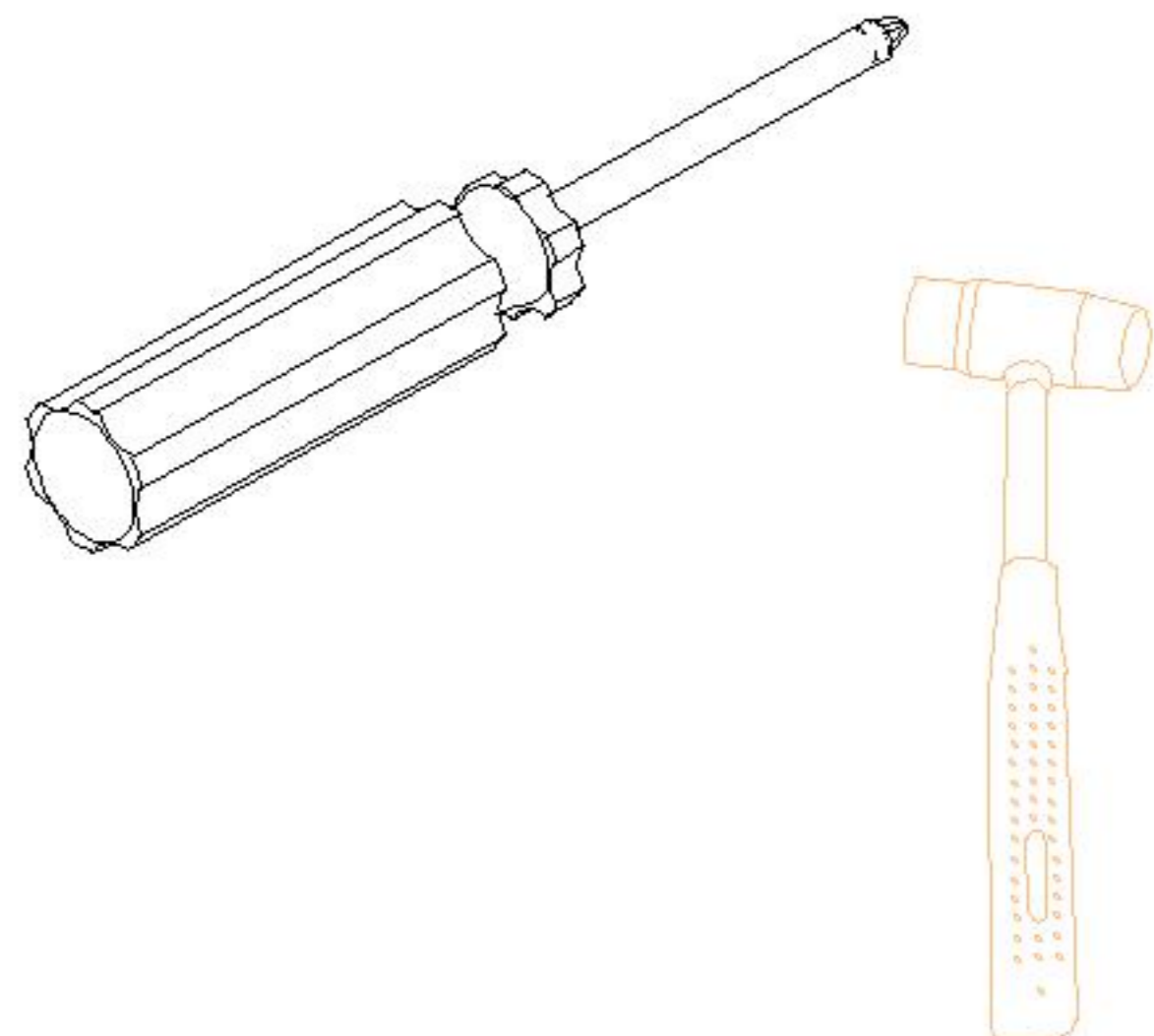
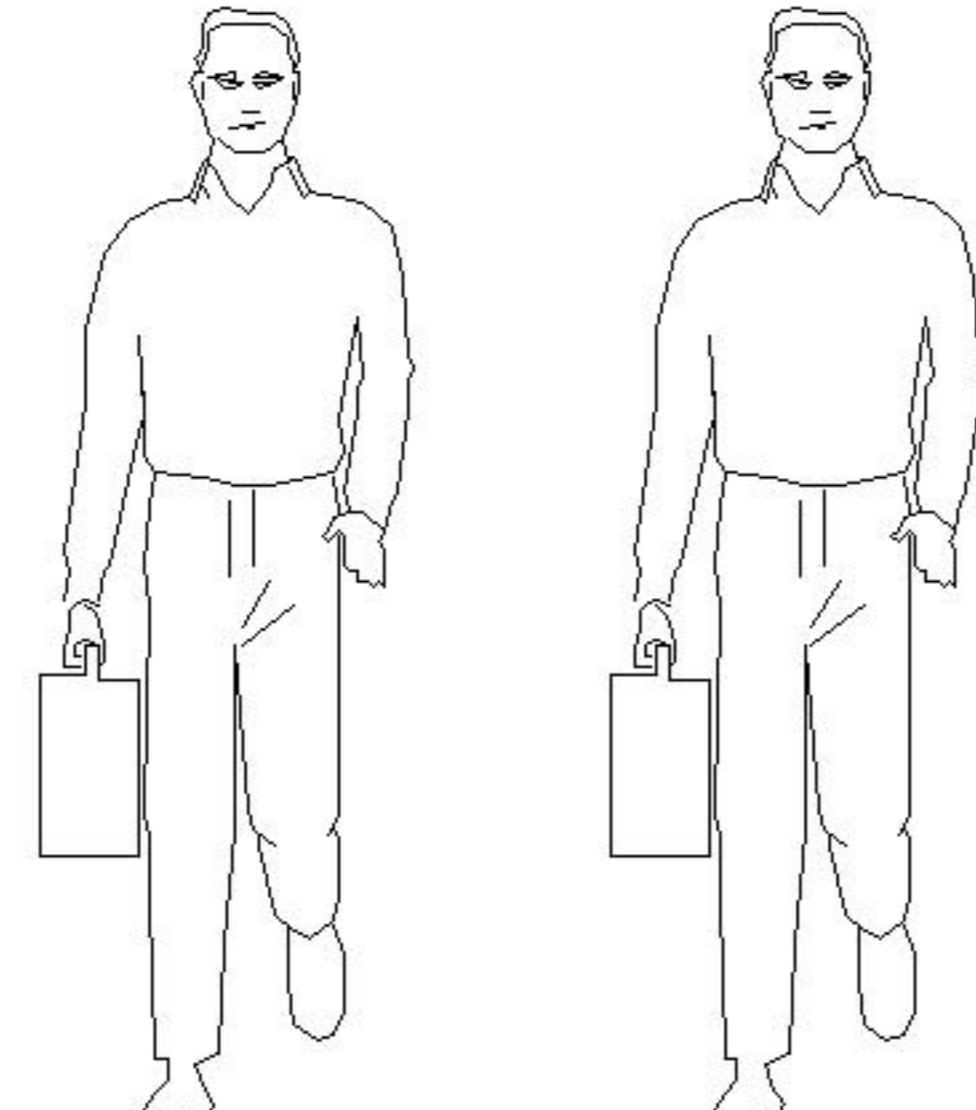


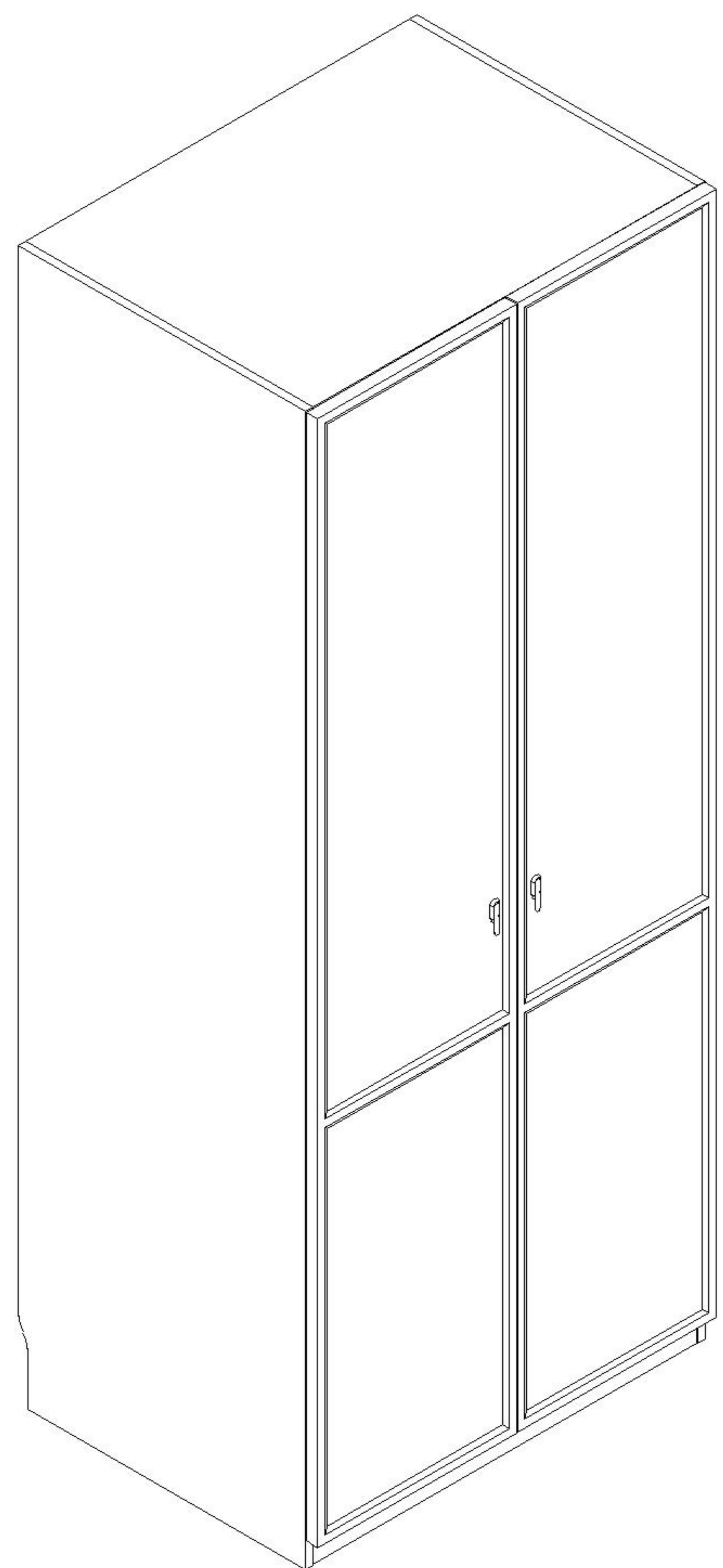
LINSY 林氏家居

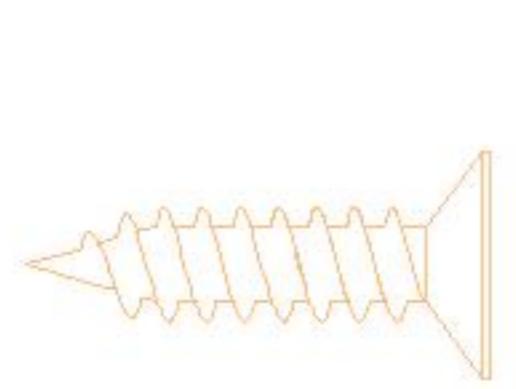

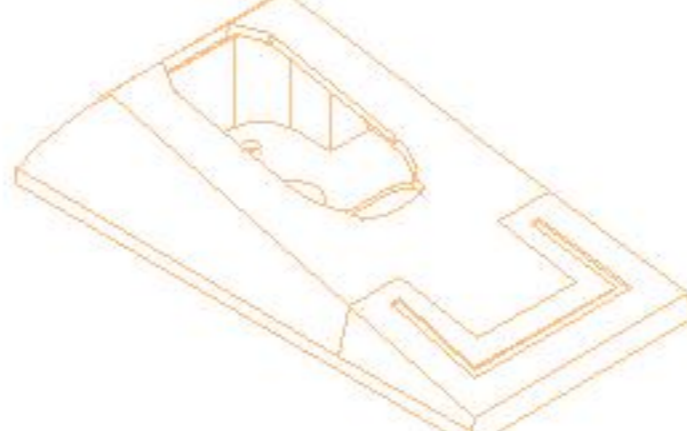
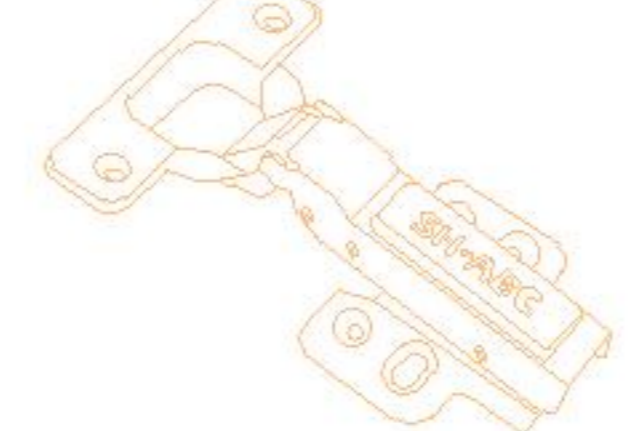
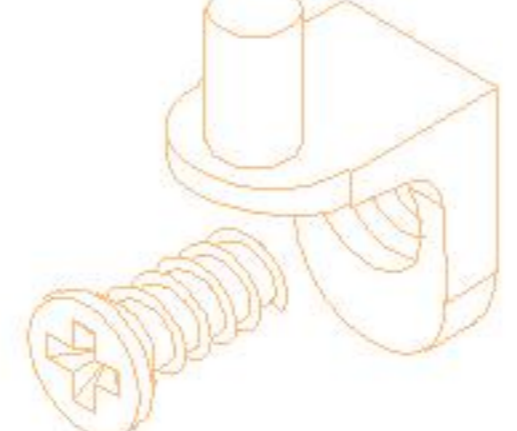

五金表/Hardware list

部件表/Parts List

安装示意图/Assembly Instruction

产品名称 Model NO.	T01D-A1
产品规格 Specification	796*612*2003mm
安装工具 Tool	安装人数 Installer
	

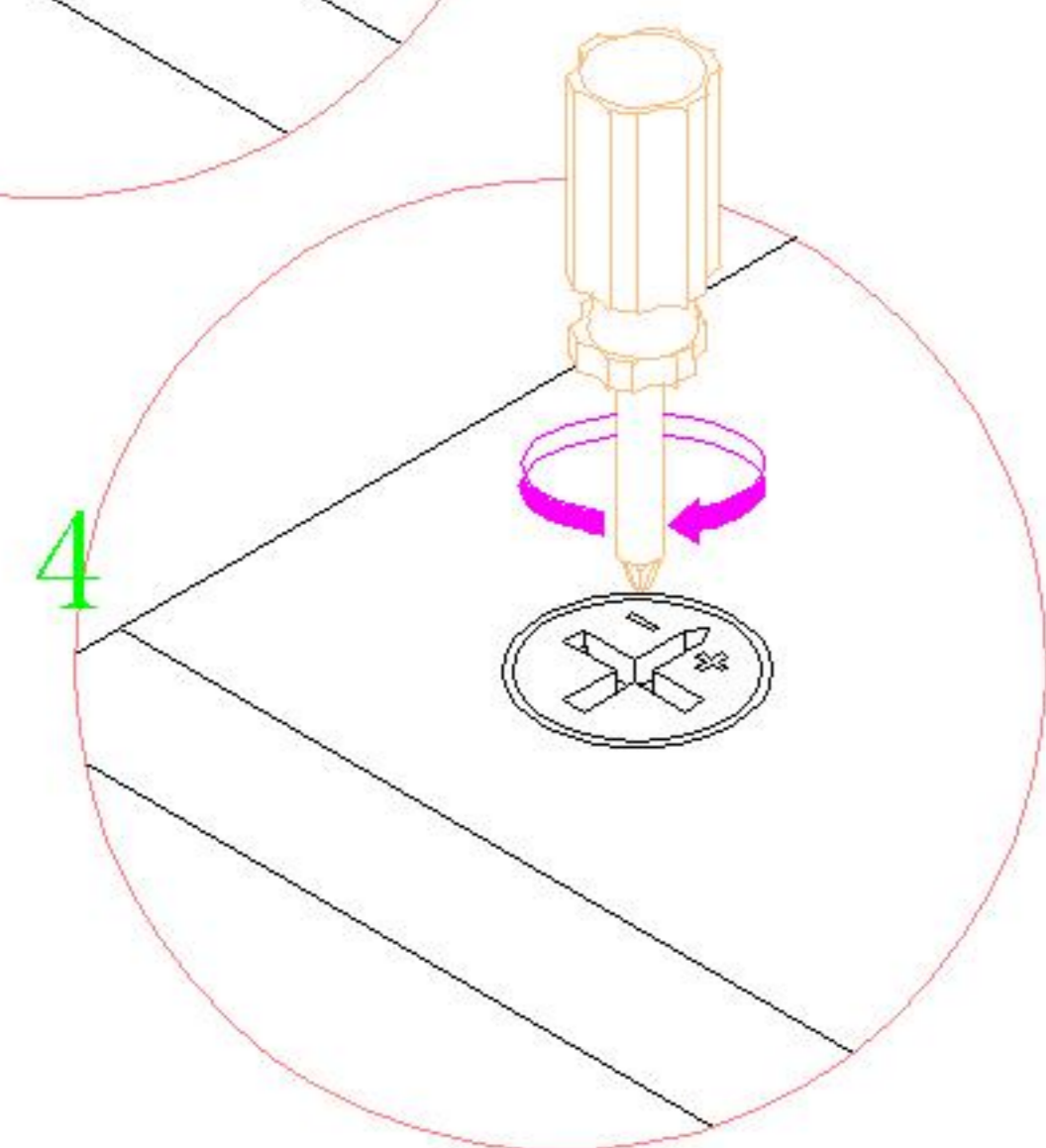
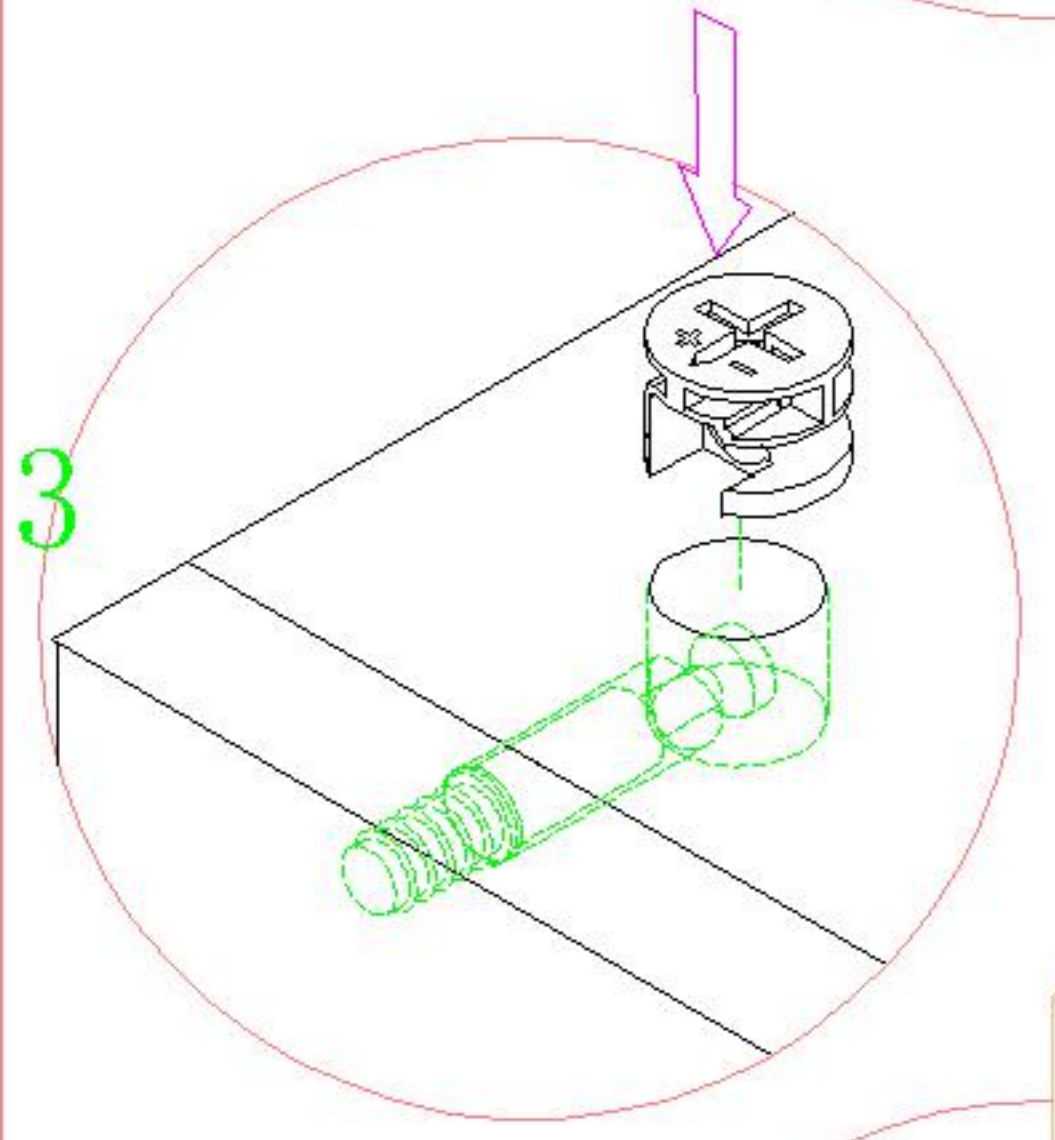
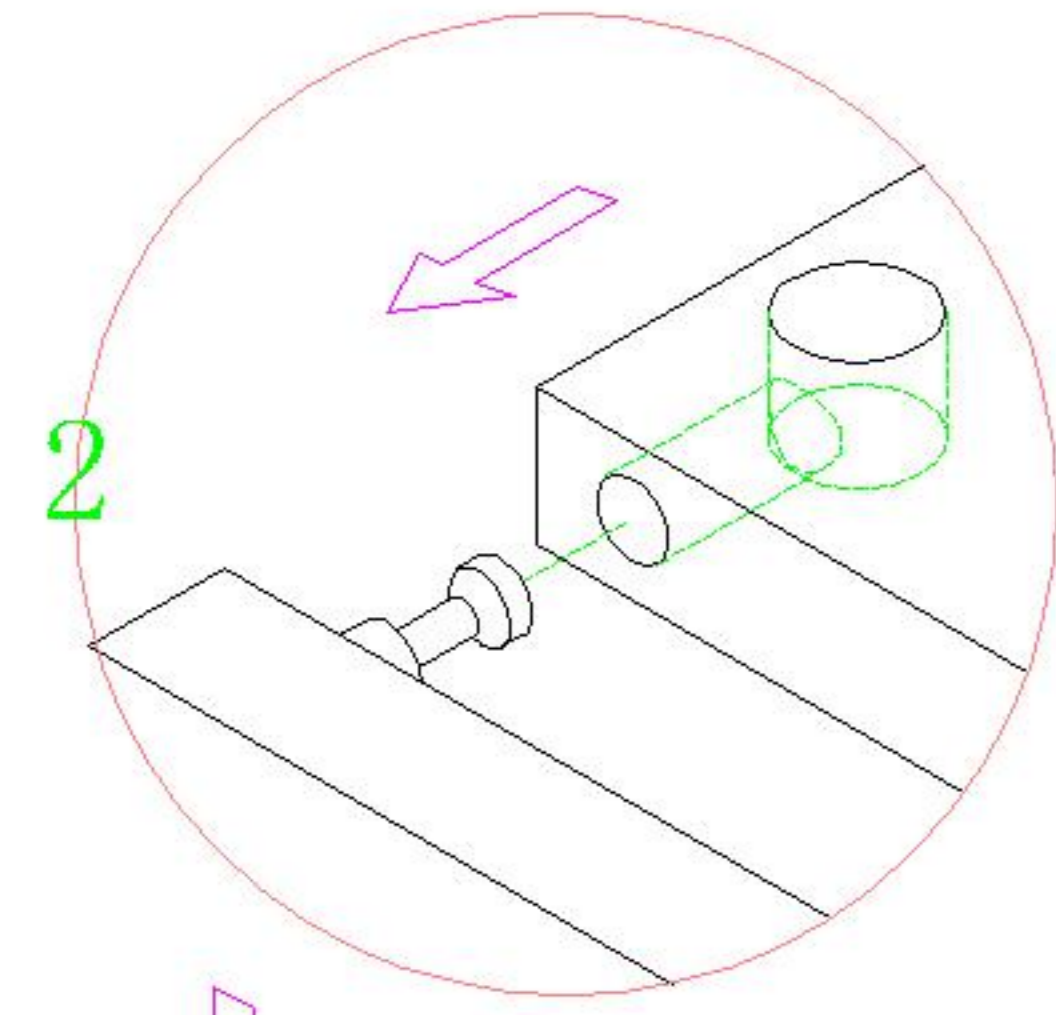
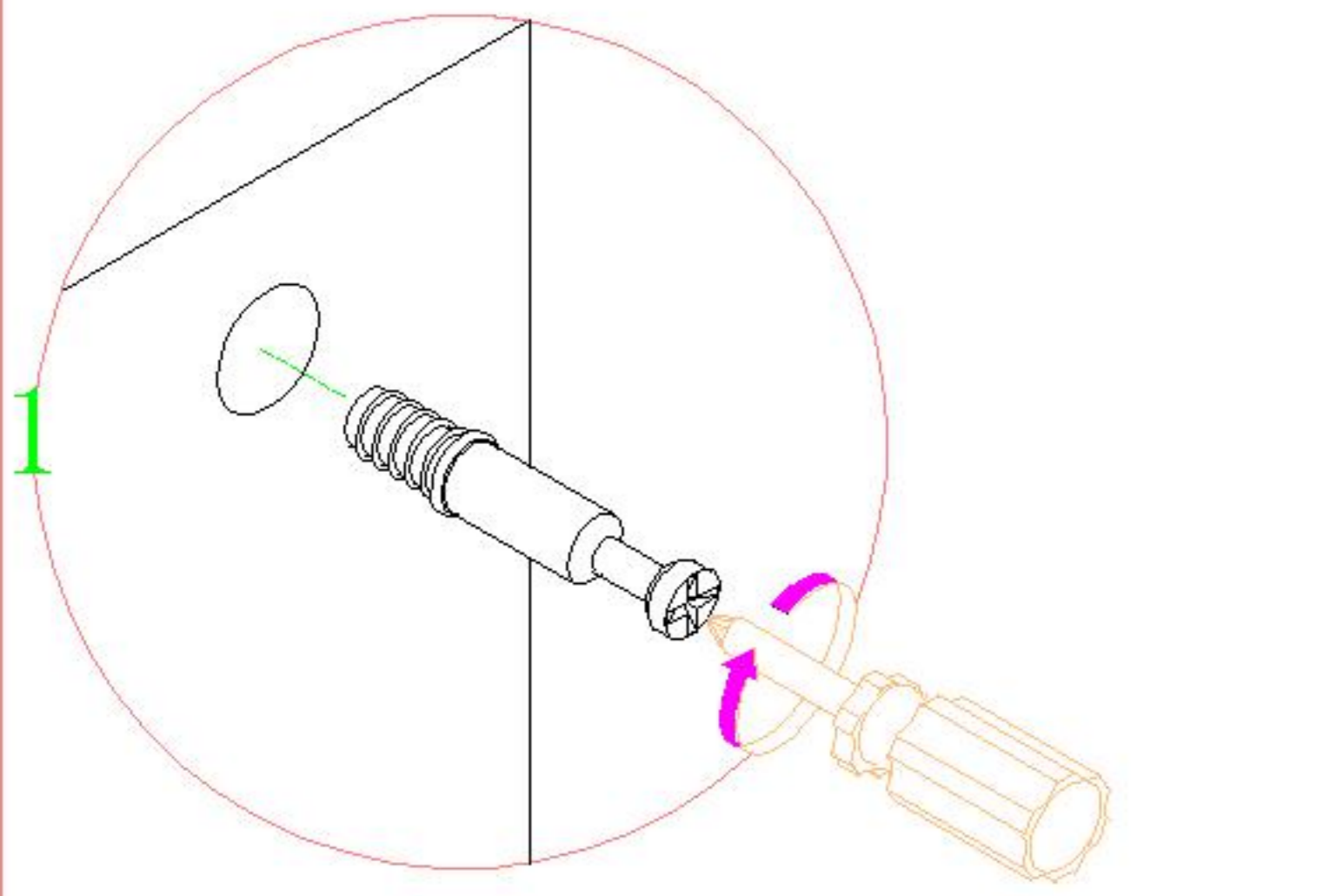


 (A)* 21 自攻螺丝M3.5x12mm Self-tapping screw	 (B)* 46 二合一螺杆 2-in-1-screw	 (C)* 46 大三合一锁饼 Three-in-one large lock	 (D)* 6 背板扣 Back Plate Buckle-White
 (E)* 8 木榫Ø8x30mm wood tenon	 (F)* 6 自攻螺丝M3.5x16mm Self-tapping screw	 (G)* 2 拉手螺丝-M4x22mm pulling screw	 (H)* 2 拉手 Handle
 (I)* 1 透气孔盖-白色 Vent cover - white	 (J)* 2 挂衣托F874-B Clothes hanger	 (K)* 8 缓冲门铰中弯-Ø40 Hinge-middle bending	 (L)* 4 层板托 shelf support
 (M)* 8 脚垫-灰色 Footrest - Grey	 (N)* 1 三节滚珠导轨-18" three-section ball rail	 (O)* 1 感应灯 Induction lamp	 (P)* 8 自攻螺丝M4x35mm Self-tapping screw
 (Q)* 1 挂衣杆-L=758mm Clothes hanging rod	 (R)* 8 圆管-Ø14*460 Round tube		

编号NO.	名称Name	规格 (mm) Specification	数量QTY	材质Material
①	右侧板 Side board(R)	2000*574*15	1	三胺板Melamine
②	左侧板 Side board(L)	2000*574*15	1	三胺板Melamine
③	顶板 Top board	766*574*15	1	三胺板Melamine
④	底板 Bottom board	766*554*15	1	三胺板Melamine
⑤	长层板 Long laminate	765*532*15	1	三胺板Melamine
⑥	背拉条 Back brace	1912*101*15	2	三胺板Melamine
⑦	大背板 Big backboard	1922*575*5	1	三胺板Melamine
⑧	长脚条 Long foot slat	766*58*15	2	三胺板Melamine
⑨	导轨垫条 Rail cushion strip	532*88*25	2	三胺板Melamine
⑩	小抽屉面板 Small drawer's panel	712*82*15	1	三胺板Melamine
⑪	小抽屉侧板 Small Drawer's side board	442*58*15	2	三胺板Melamine
⑫	中拉条 Brace	442*58*15	1	三胺板Melamine
⑬	小抽屉后板 Small drawer's back board	690*58*15	1	三胺板Melamine
⑭	左门板 Door board(L)	1950*396*23	1	吸塑板Blister board
⑮	右门板 Door board(R)	1950*396*23	1	吸塑板Blister board

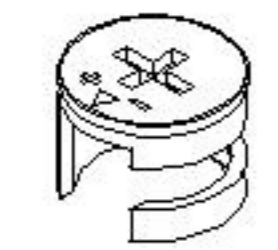
T01D-A1

安装方法/
Installation method

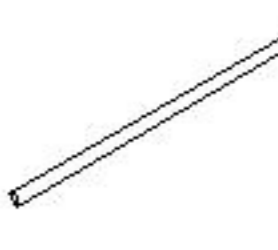


大二合一
two-in-one

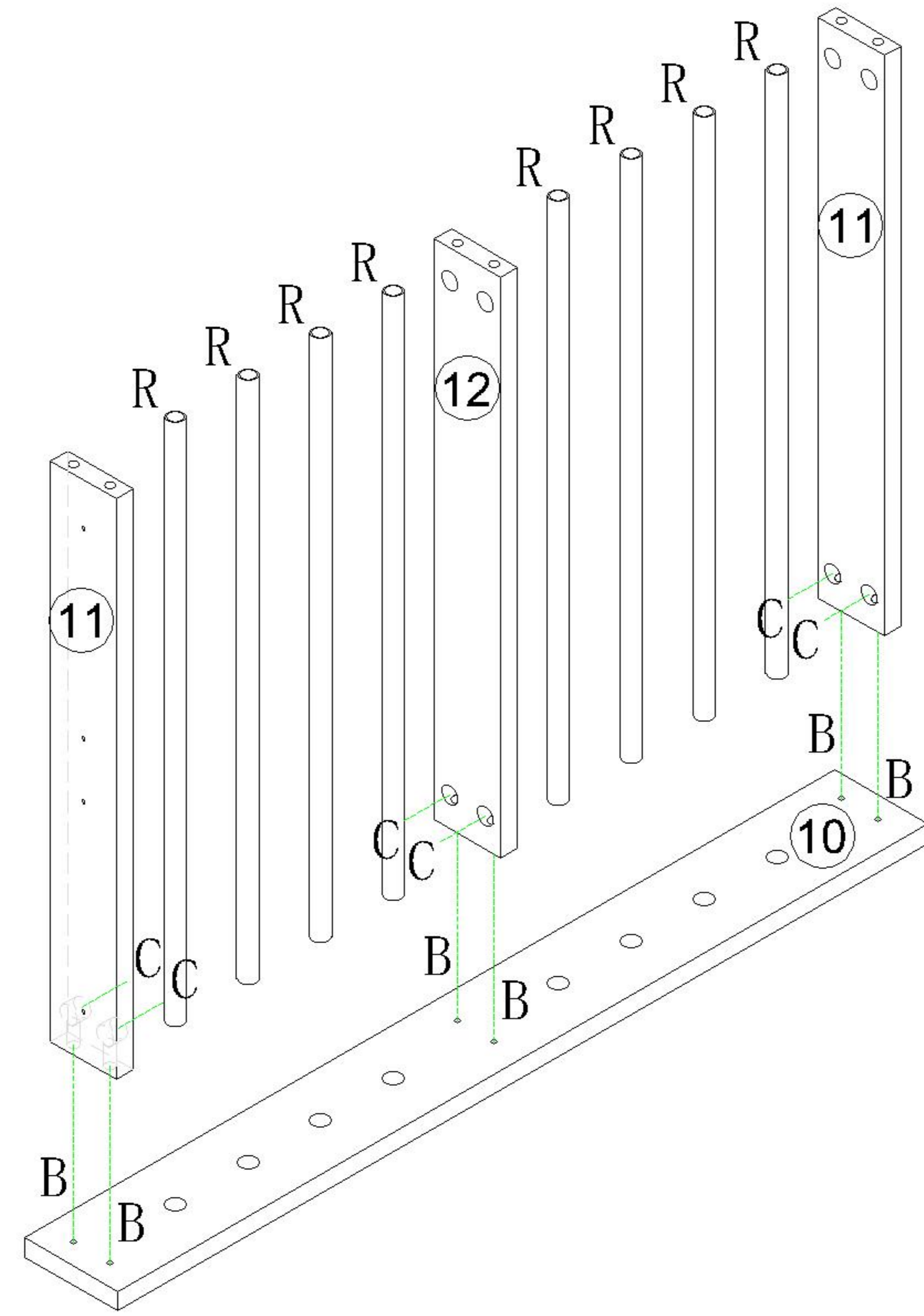
(B)*6



(C)*6



(R)*8



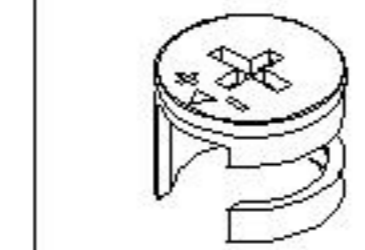
1



(A)*8



(B)*6

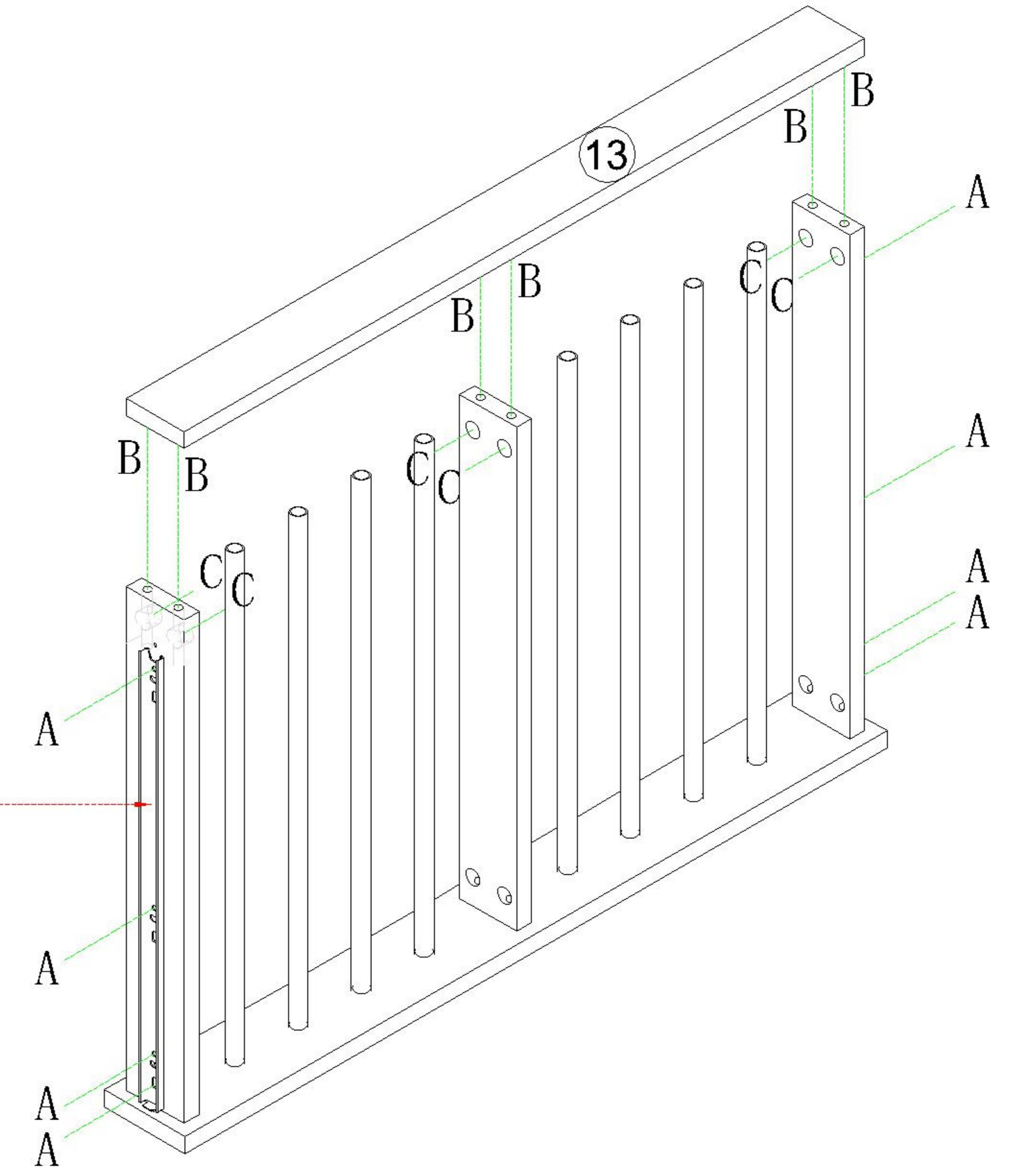


(C)*6



(N)*1

(N) 副轨
Sub rail

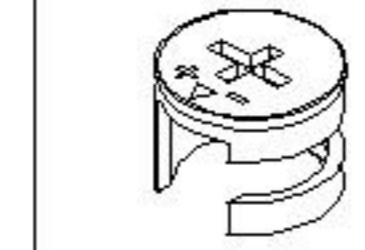


2

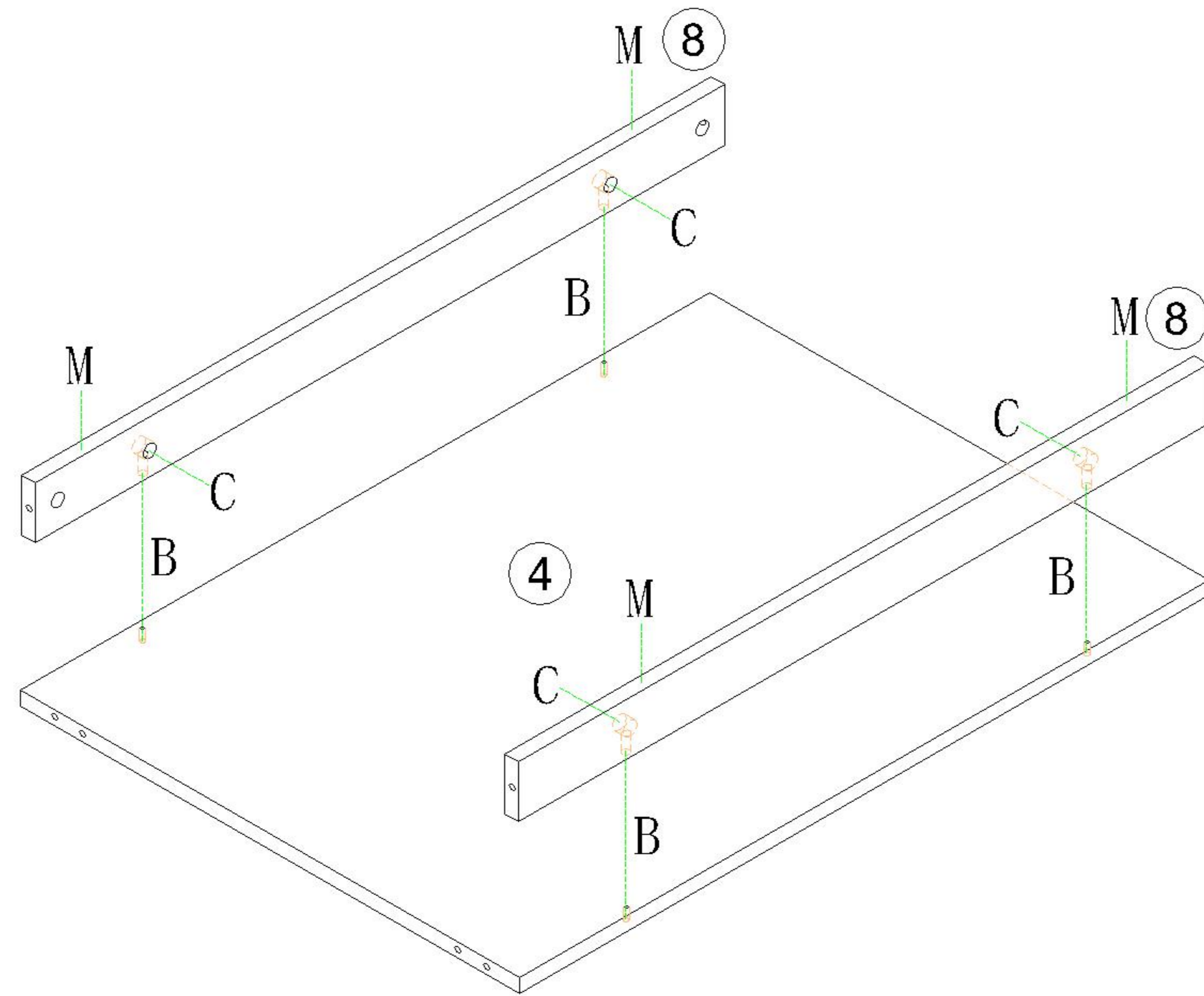
3



(B)*4



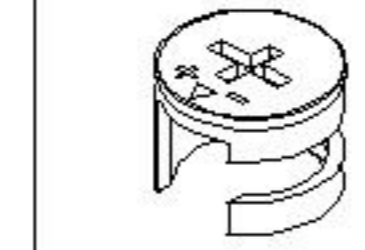
(C)*4



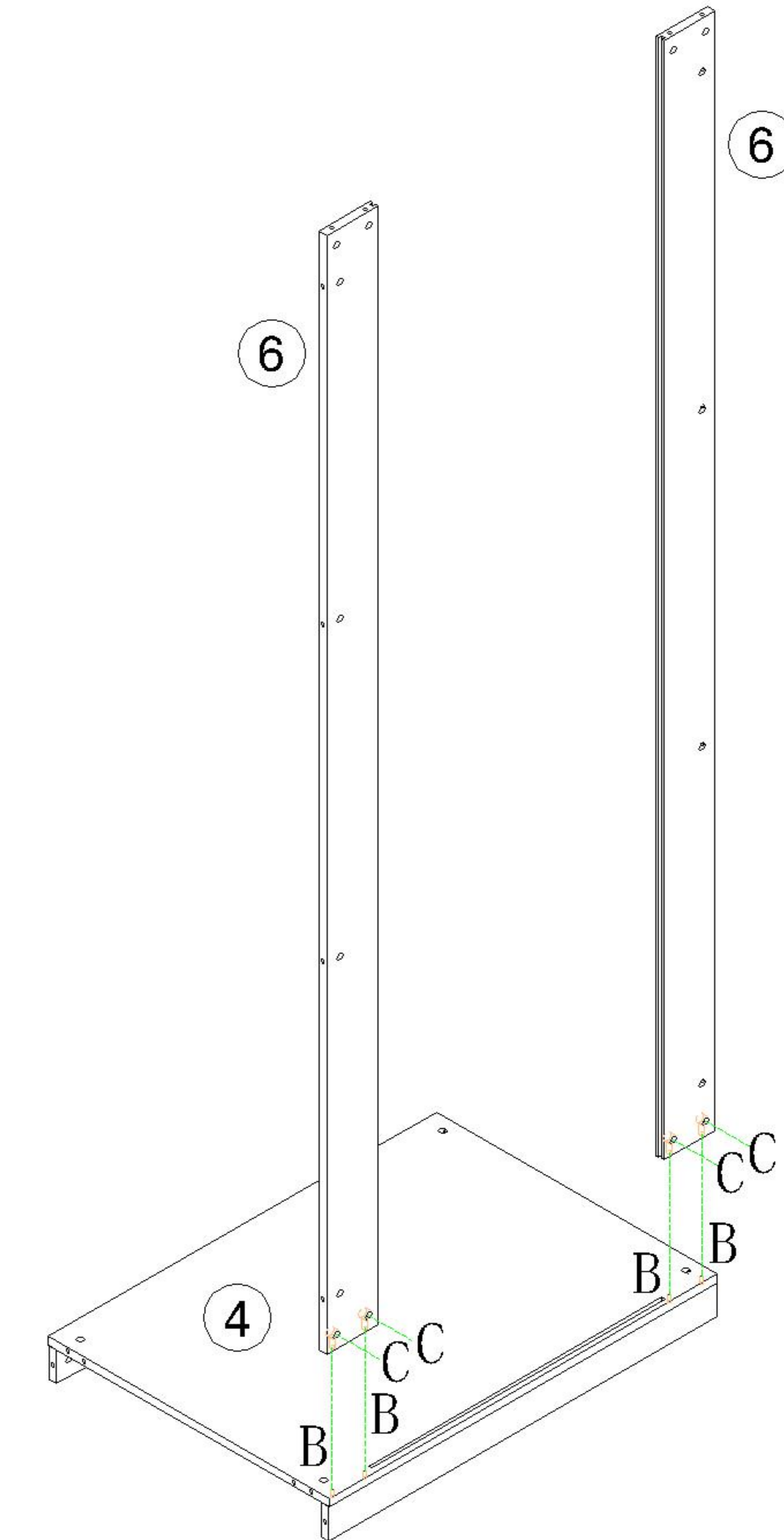
4



(B)*4



(C)*4

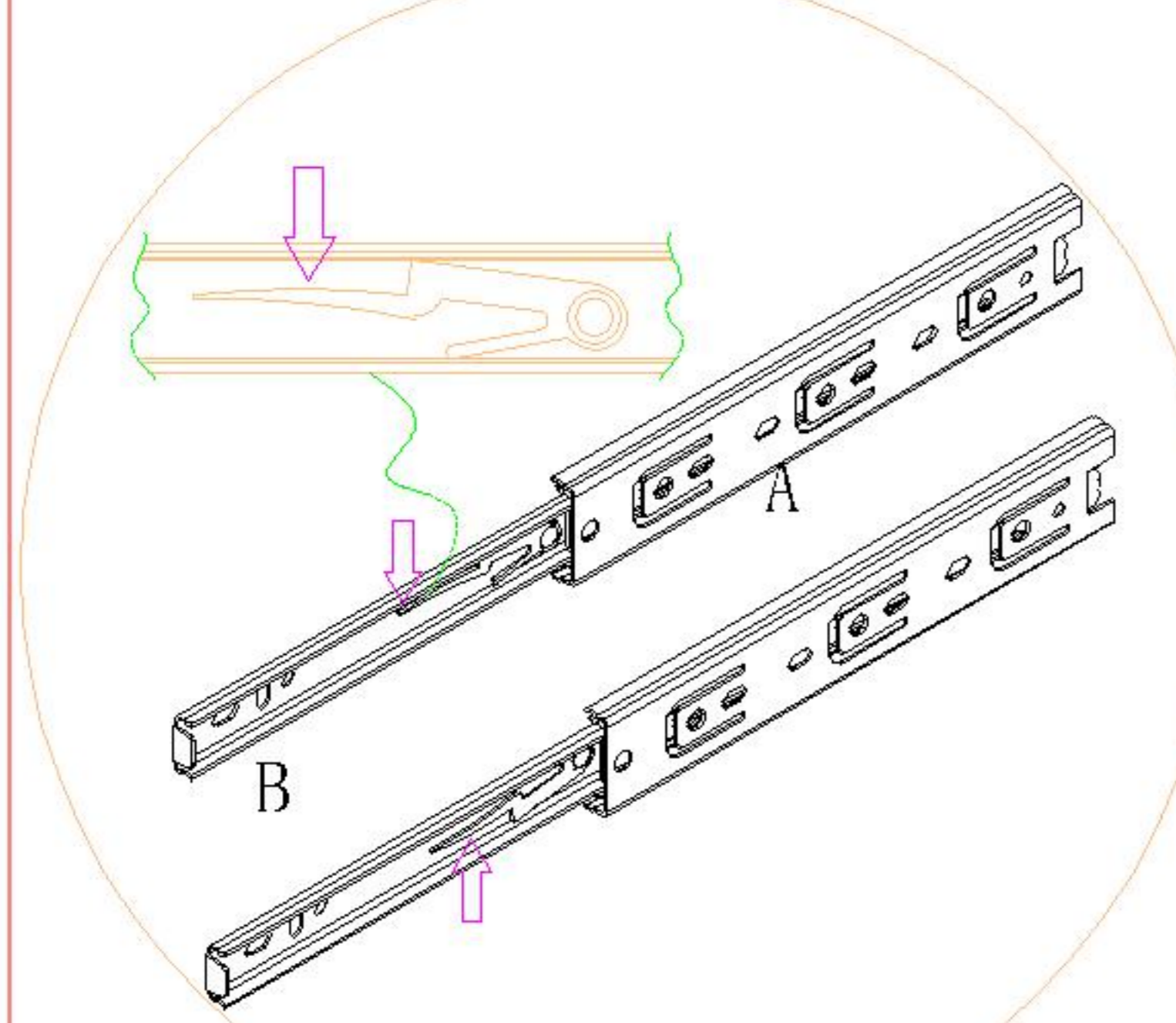


T01D-A1

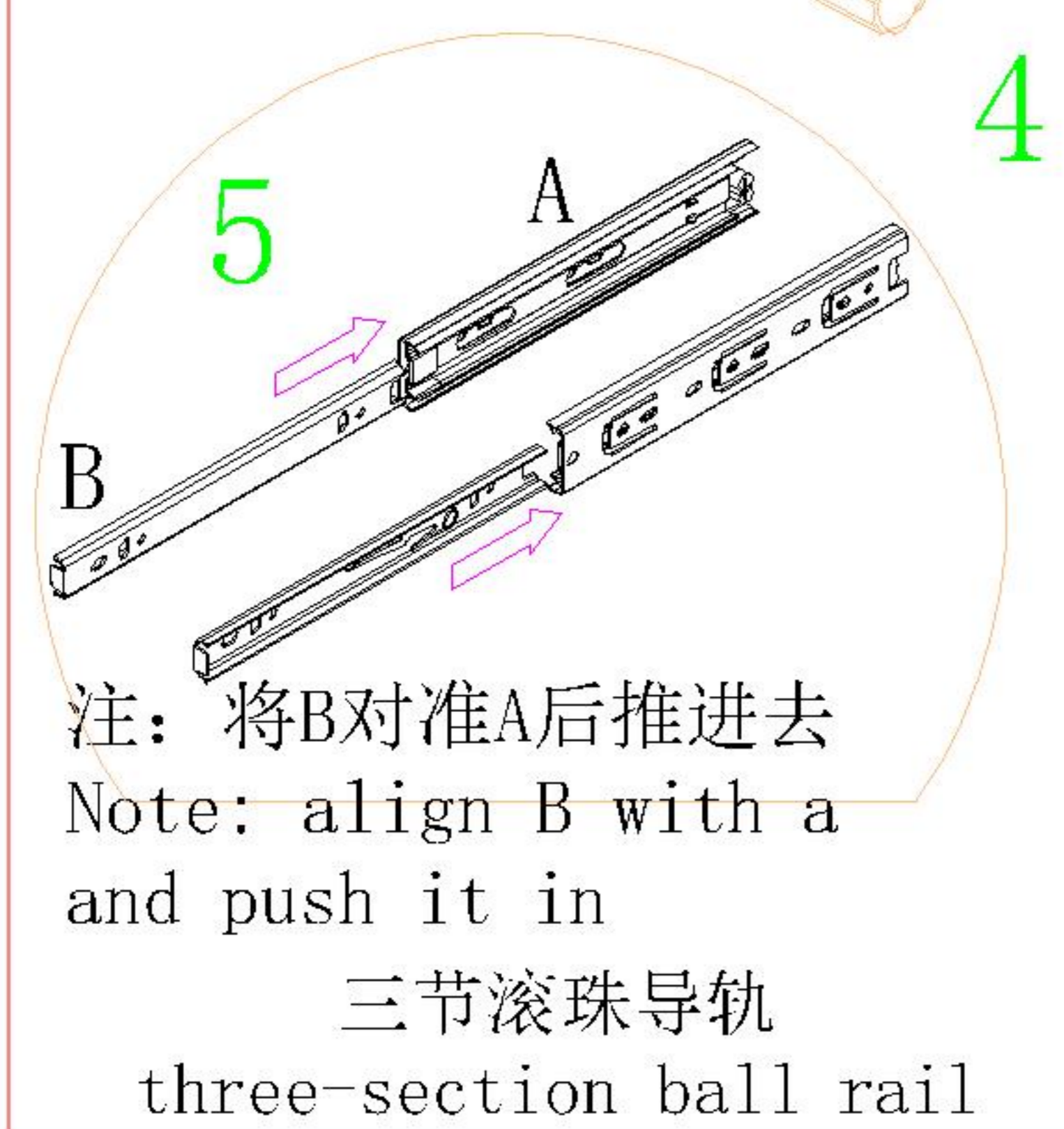
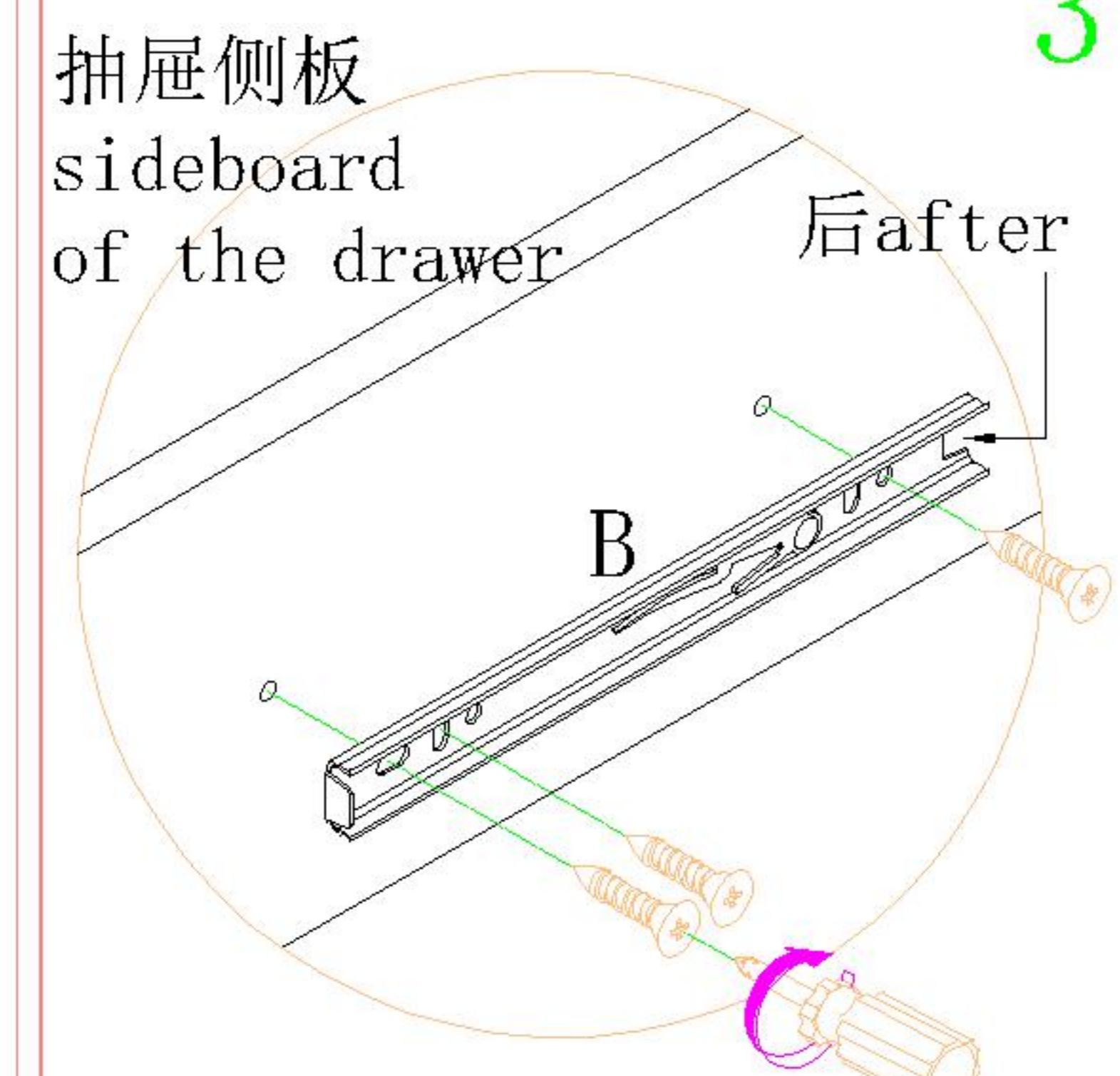
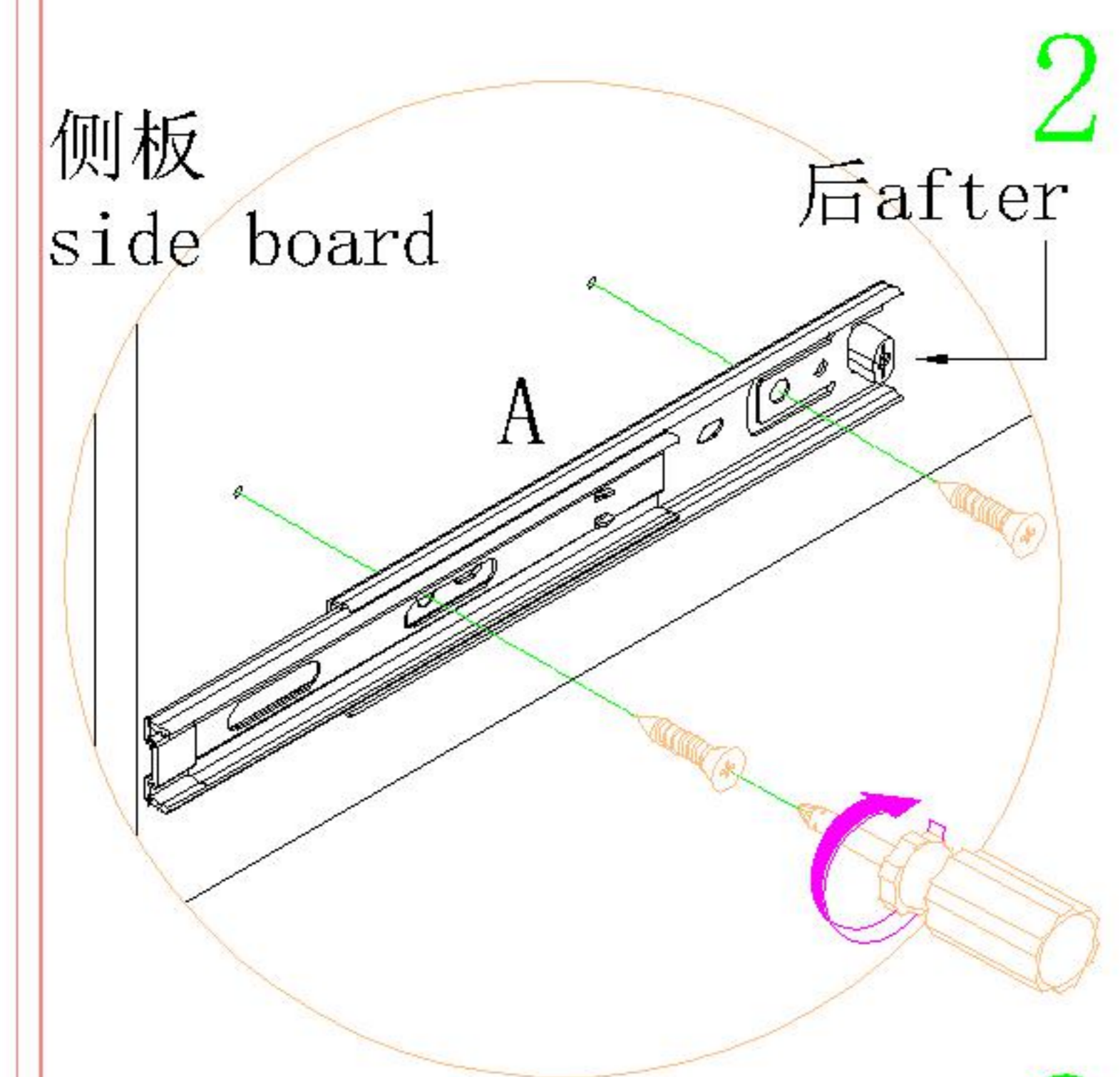
安装方法/
Installation method

阀门开关(下压为开)
Valve switch
(press down to open)

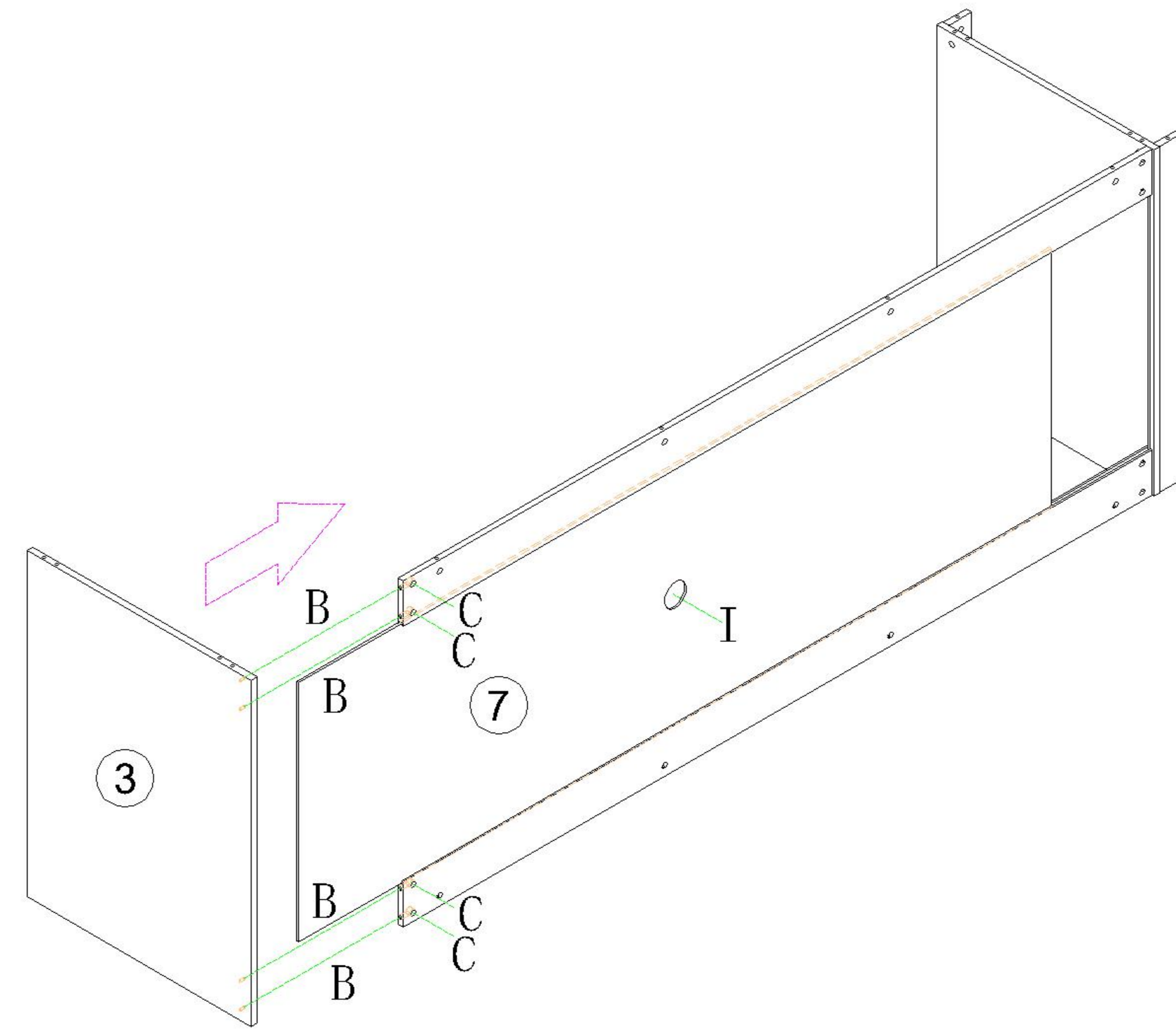
1



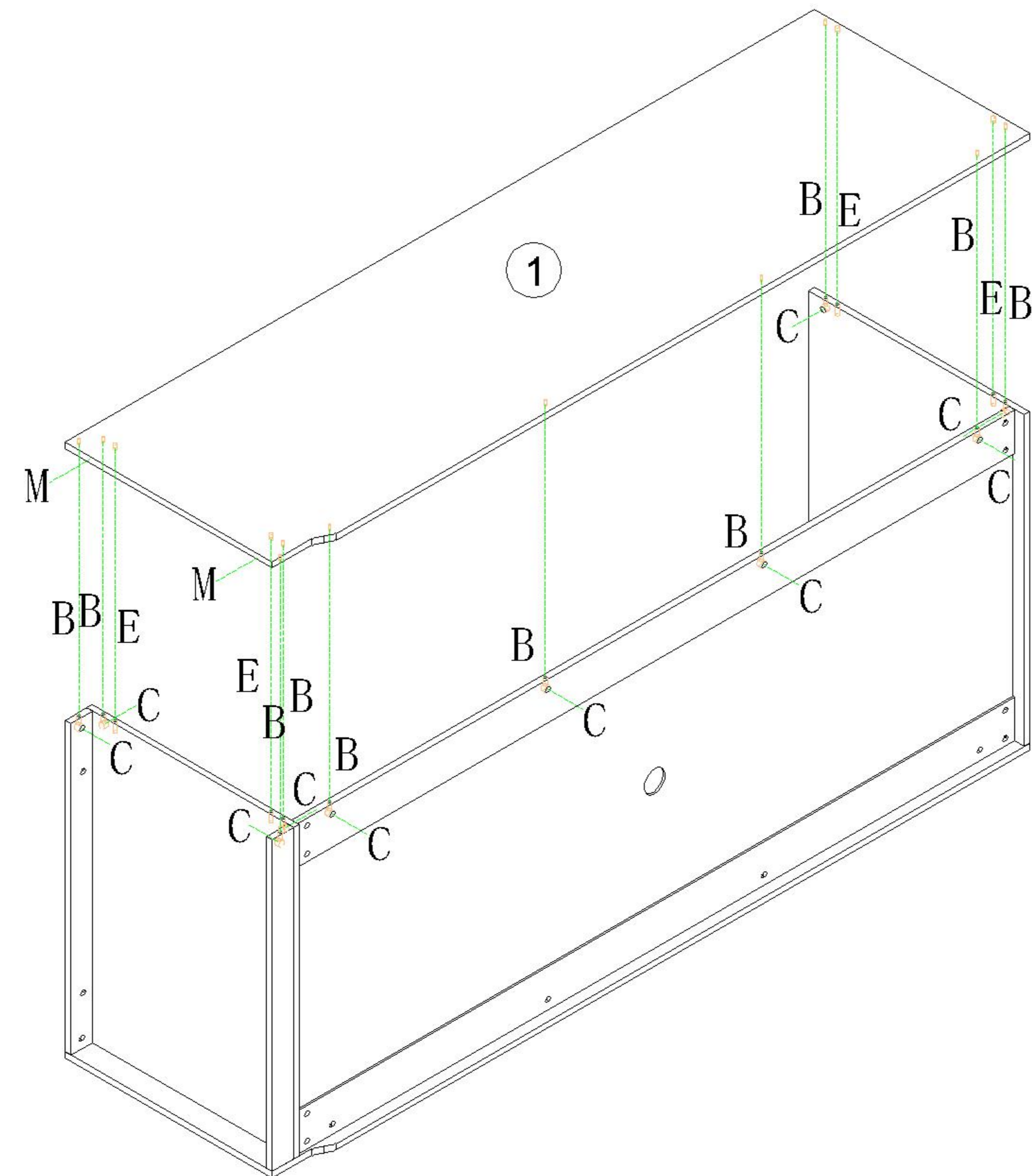
注: 先将A与B拆下来
Note: remove a and B first



- (B)*4
- (C)*4
- (I)*1

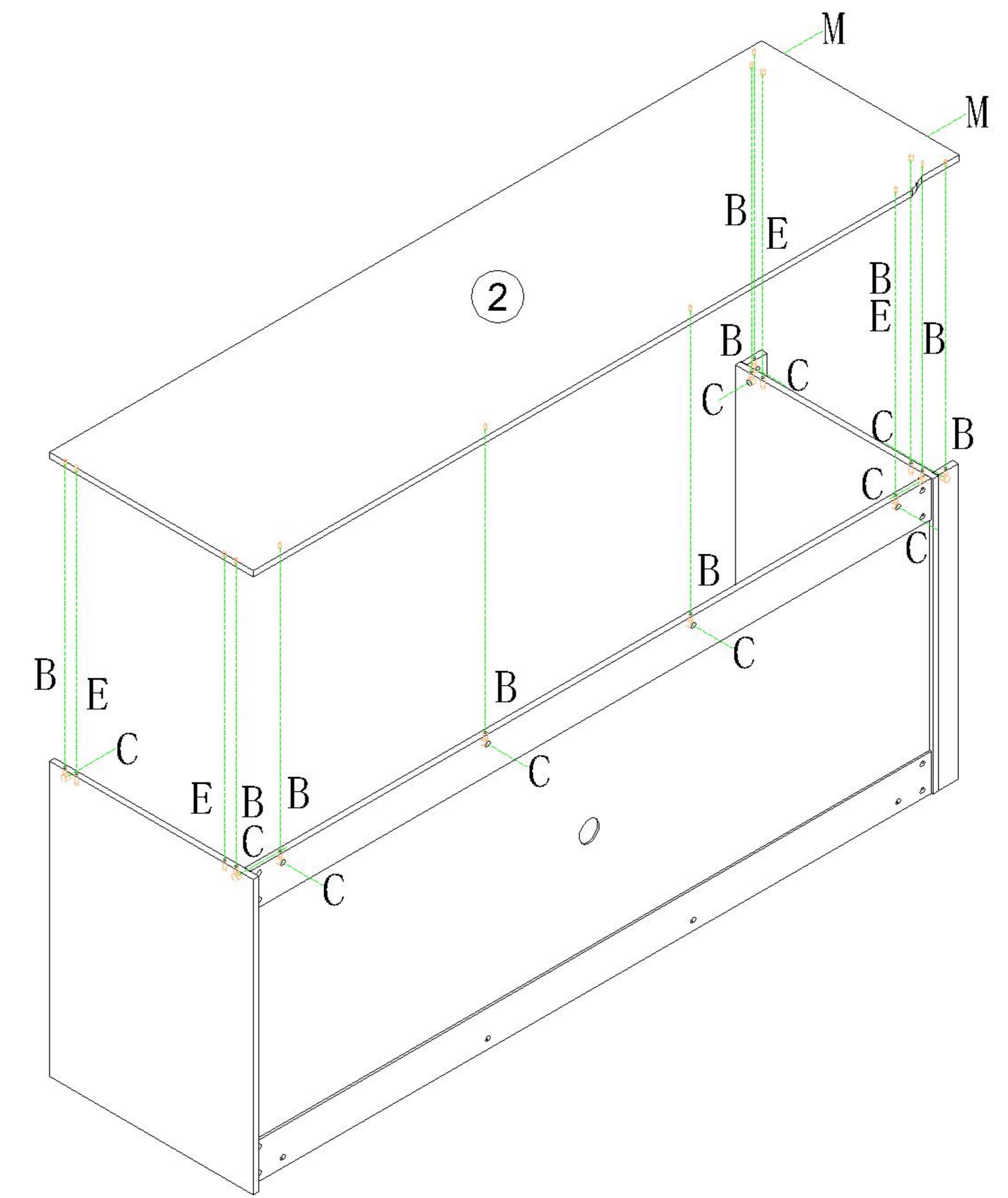


- (B)*10
- (C)*10
- (E)*4
- (M)*2



5

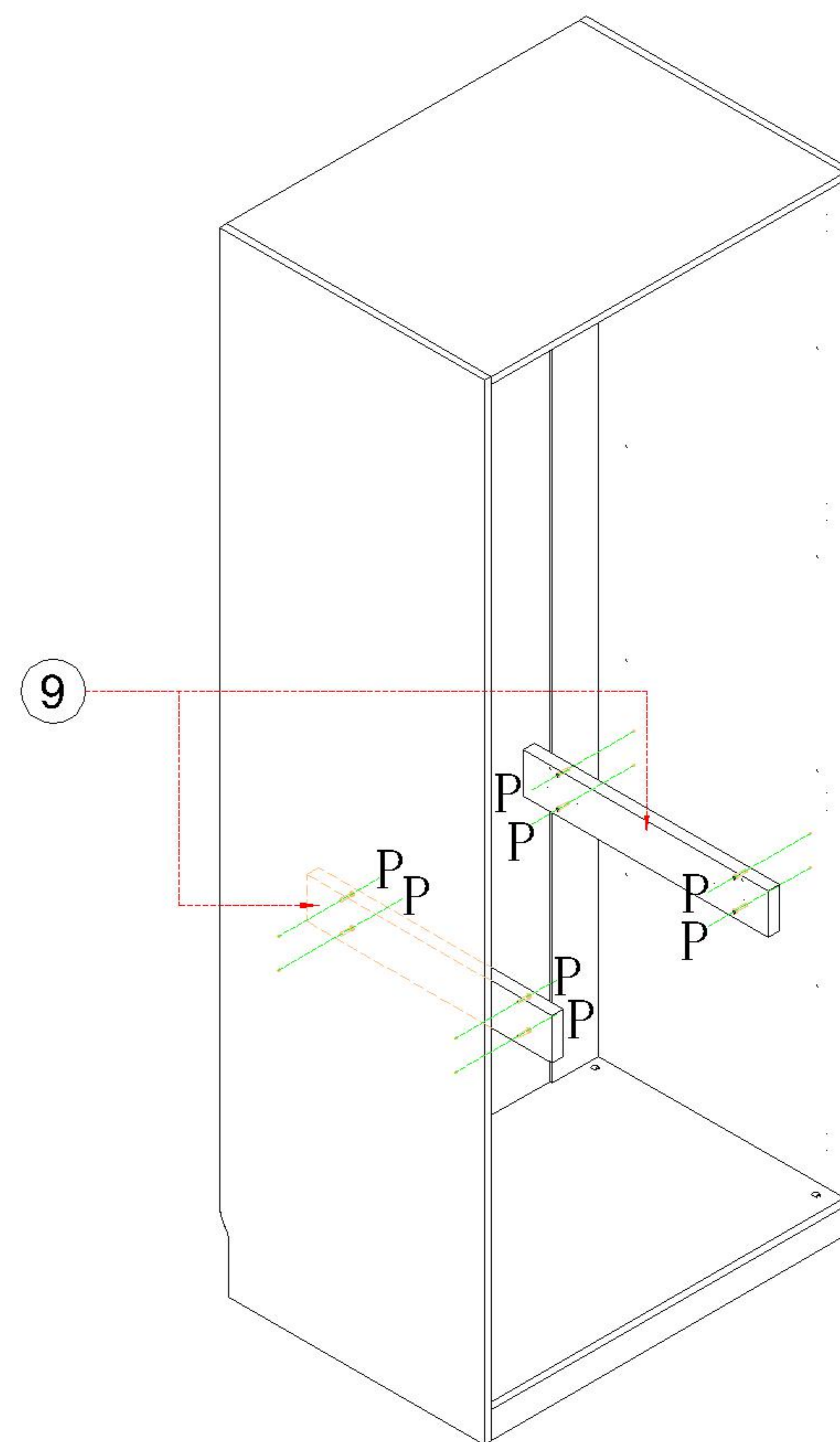
- (B)*10
- (C)*10
- (E)*4
- (M)*2



6

7

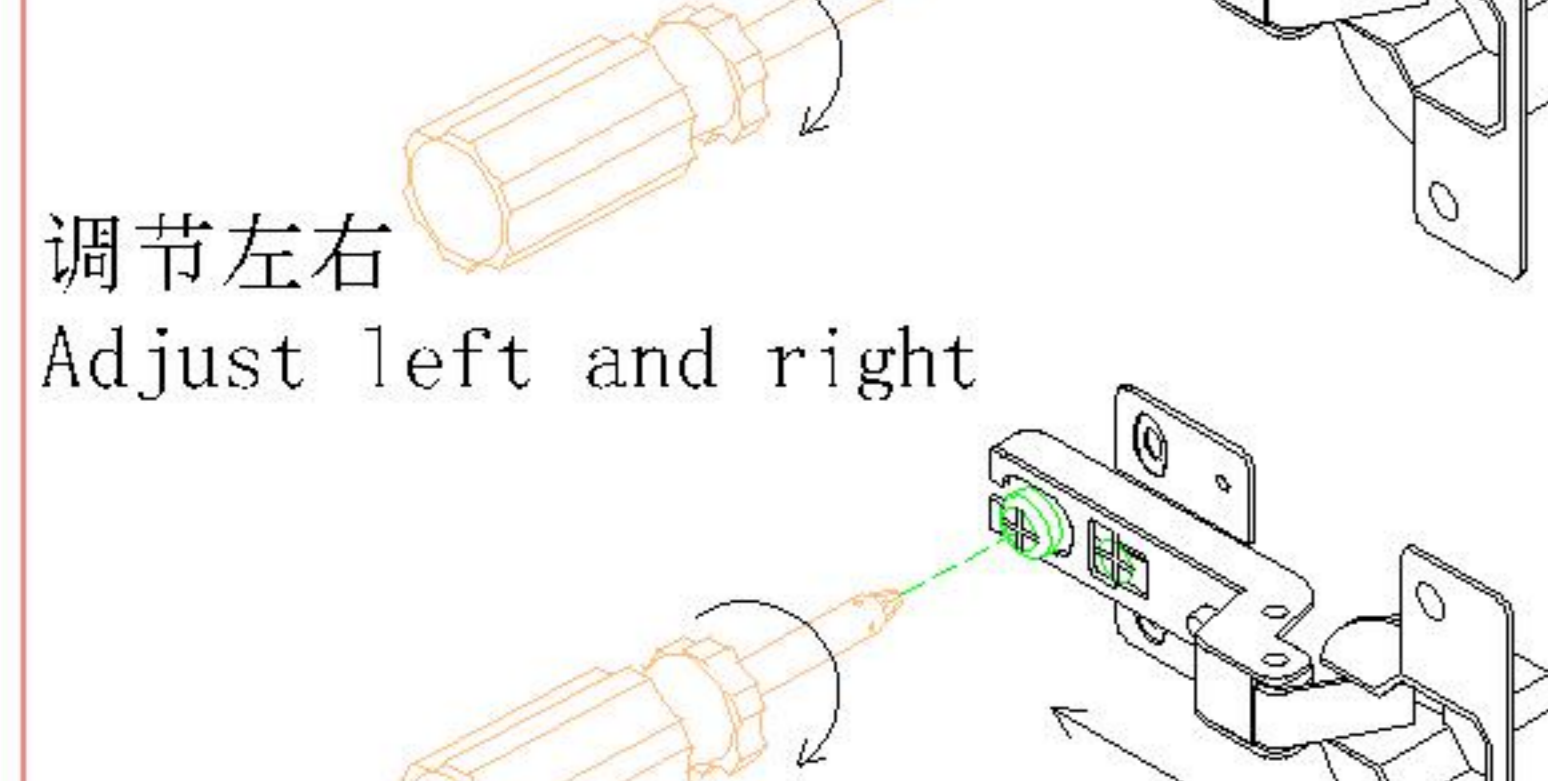
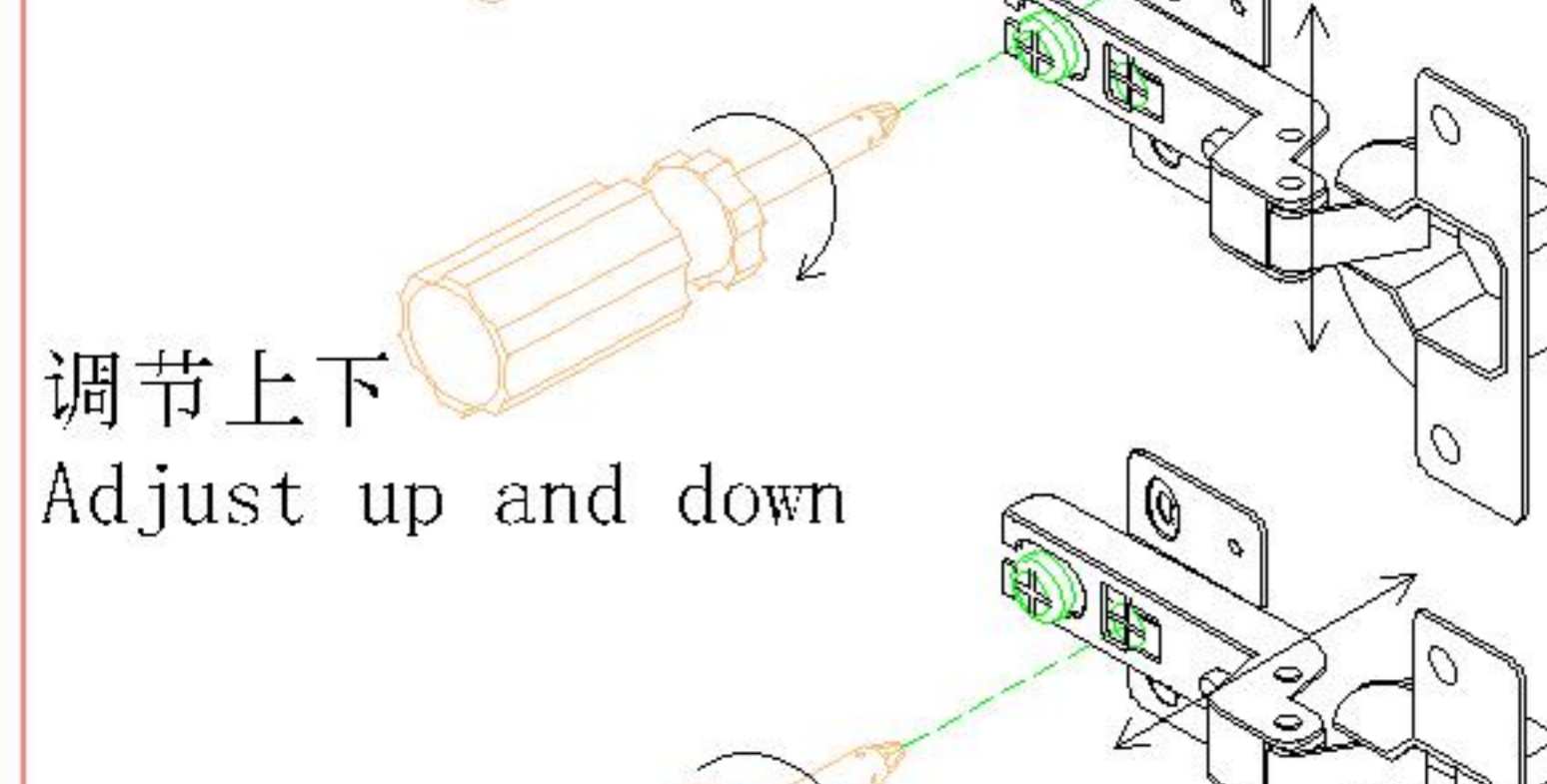
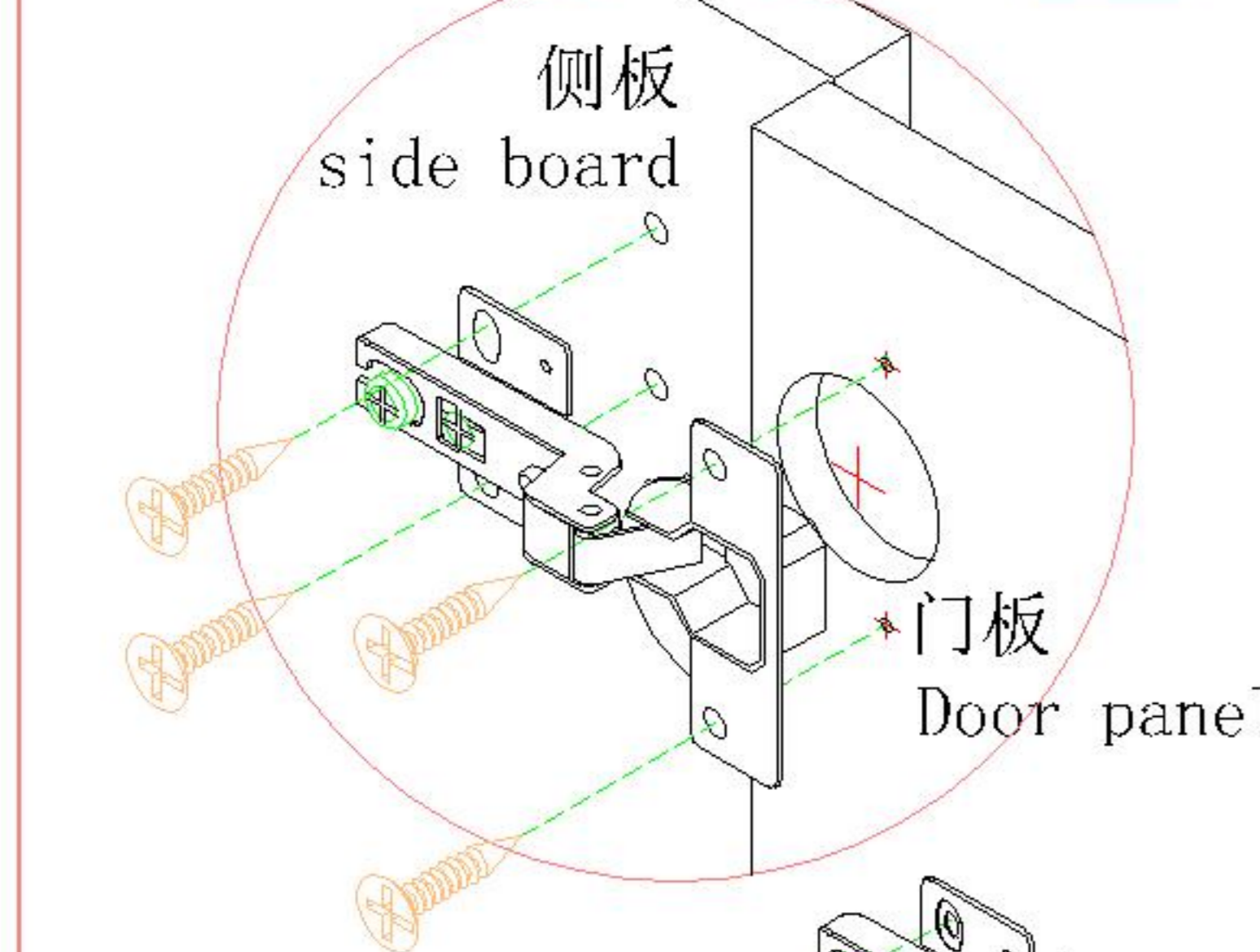
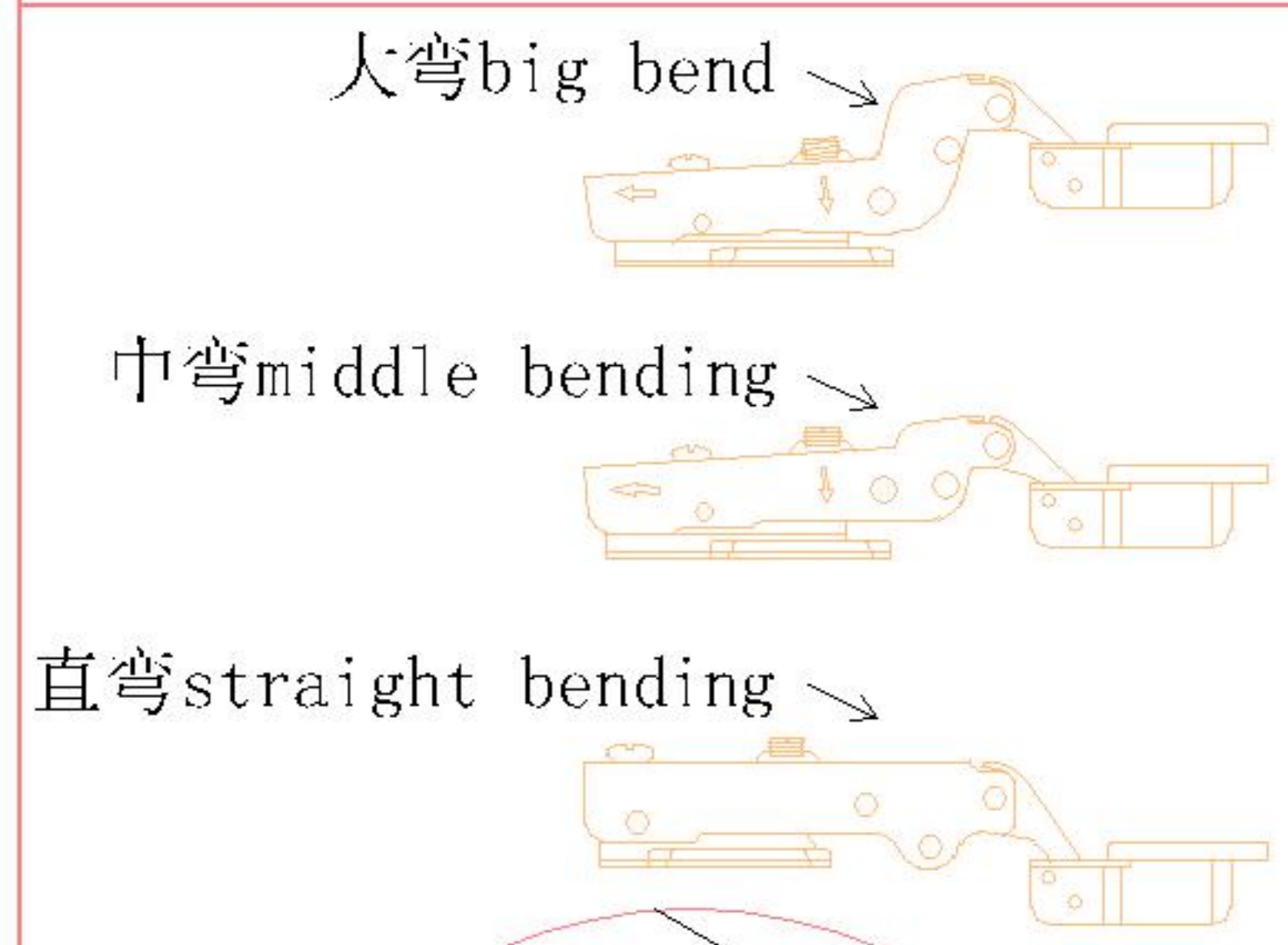
- (P)*8



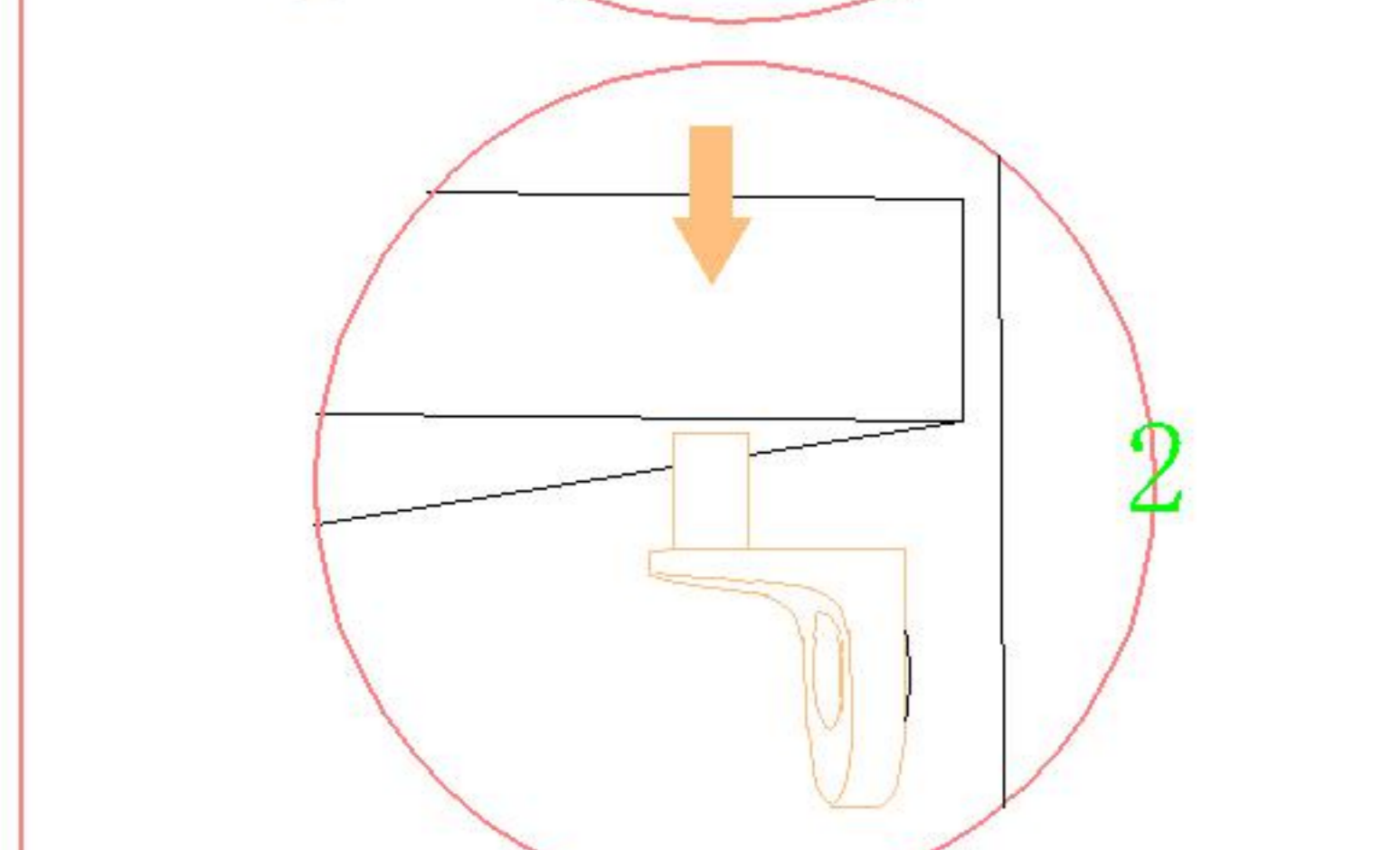
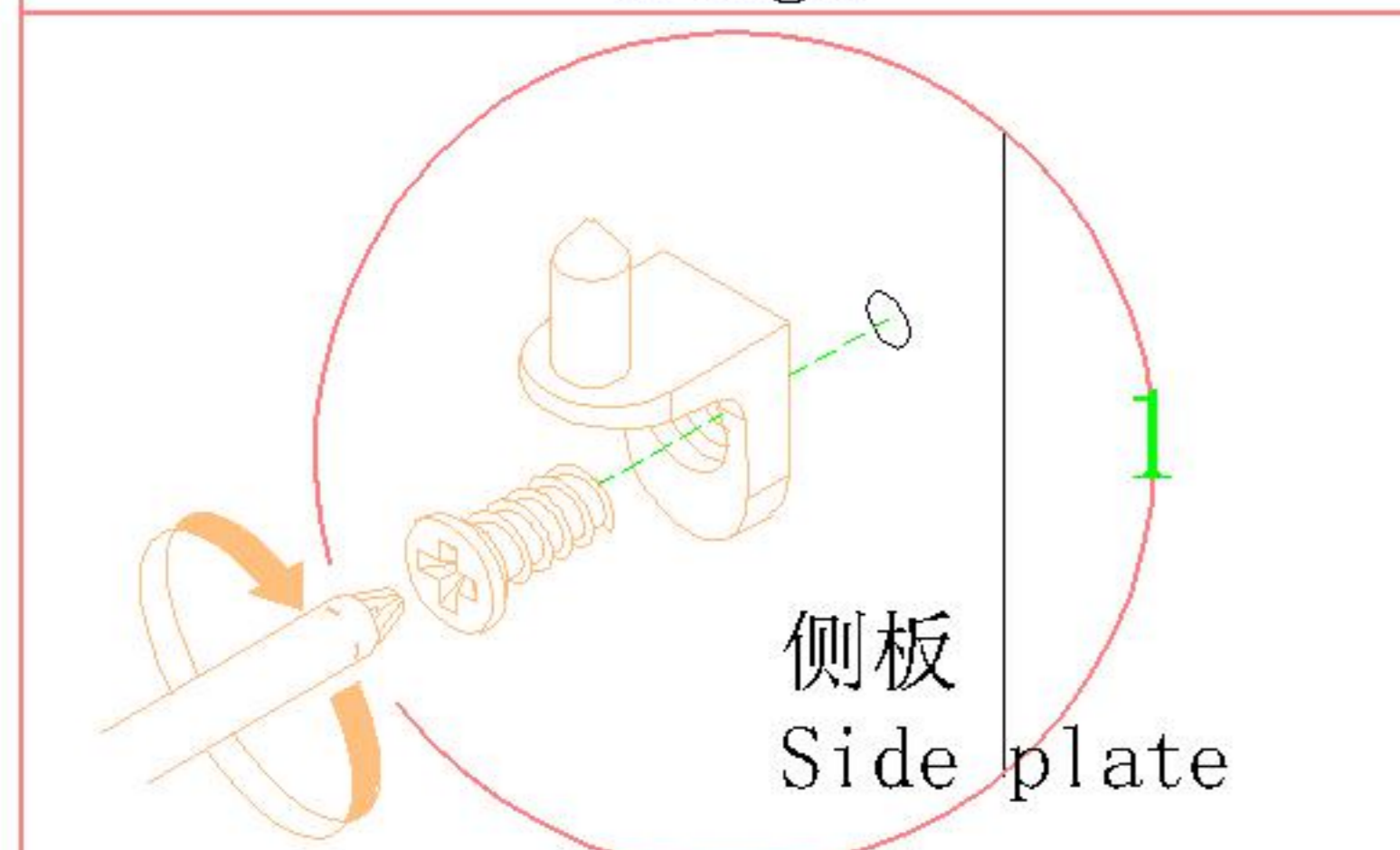
8

T01D-A1

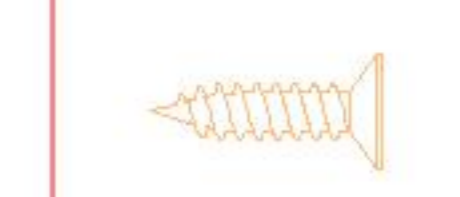
安装方法/
Installation method



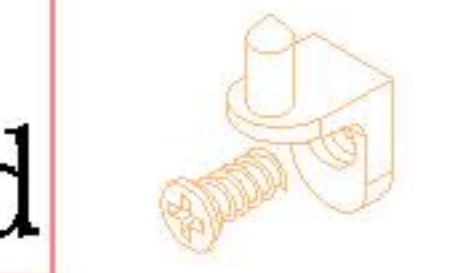
门铰
Hinge



层板托5mm
shelf support



(A)*8



(L)*4



(N)*1



(G)*2

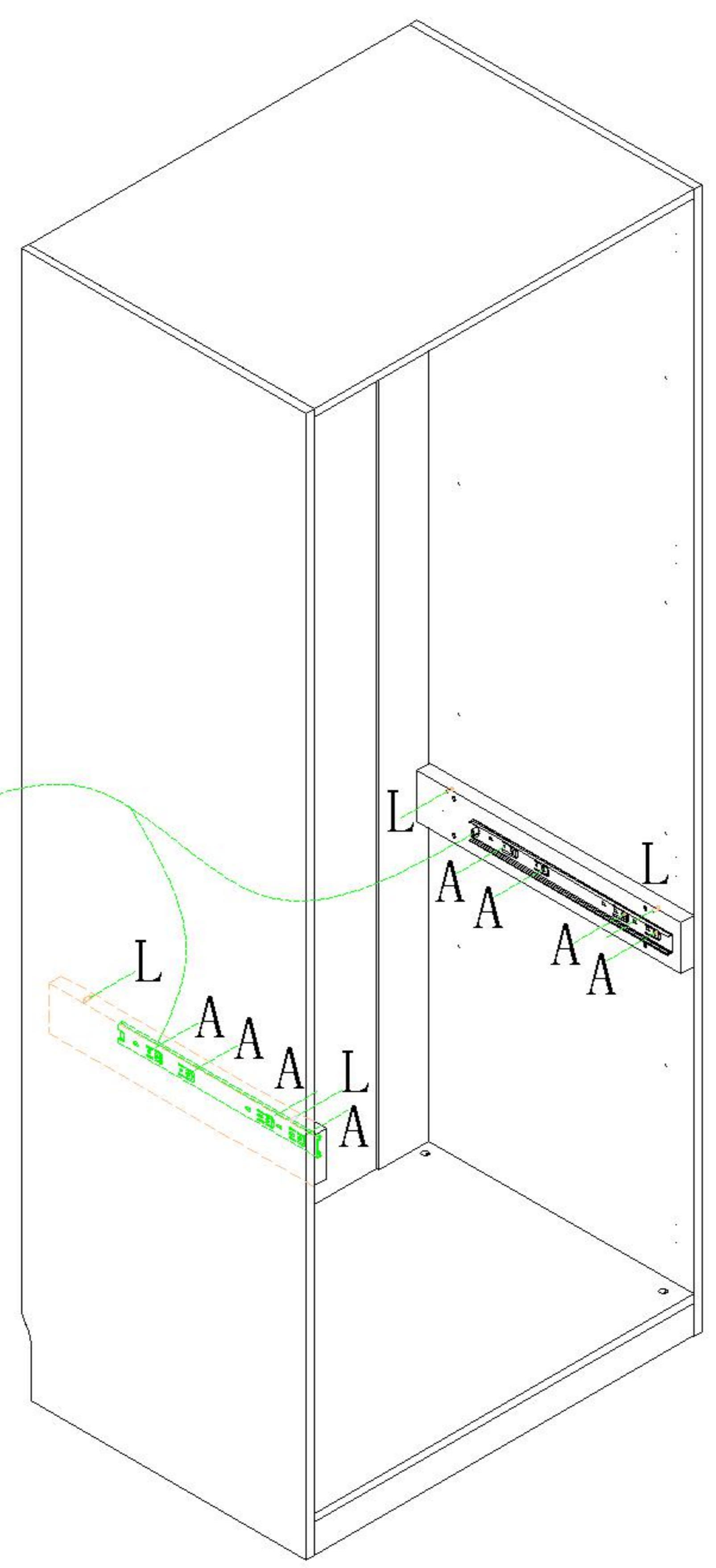


(H)*2

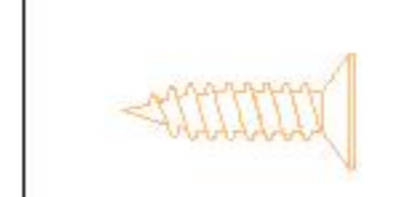


(K)*8

N 主轨
Main rail



9



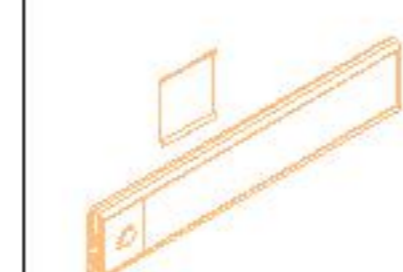
(A)*4



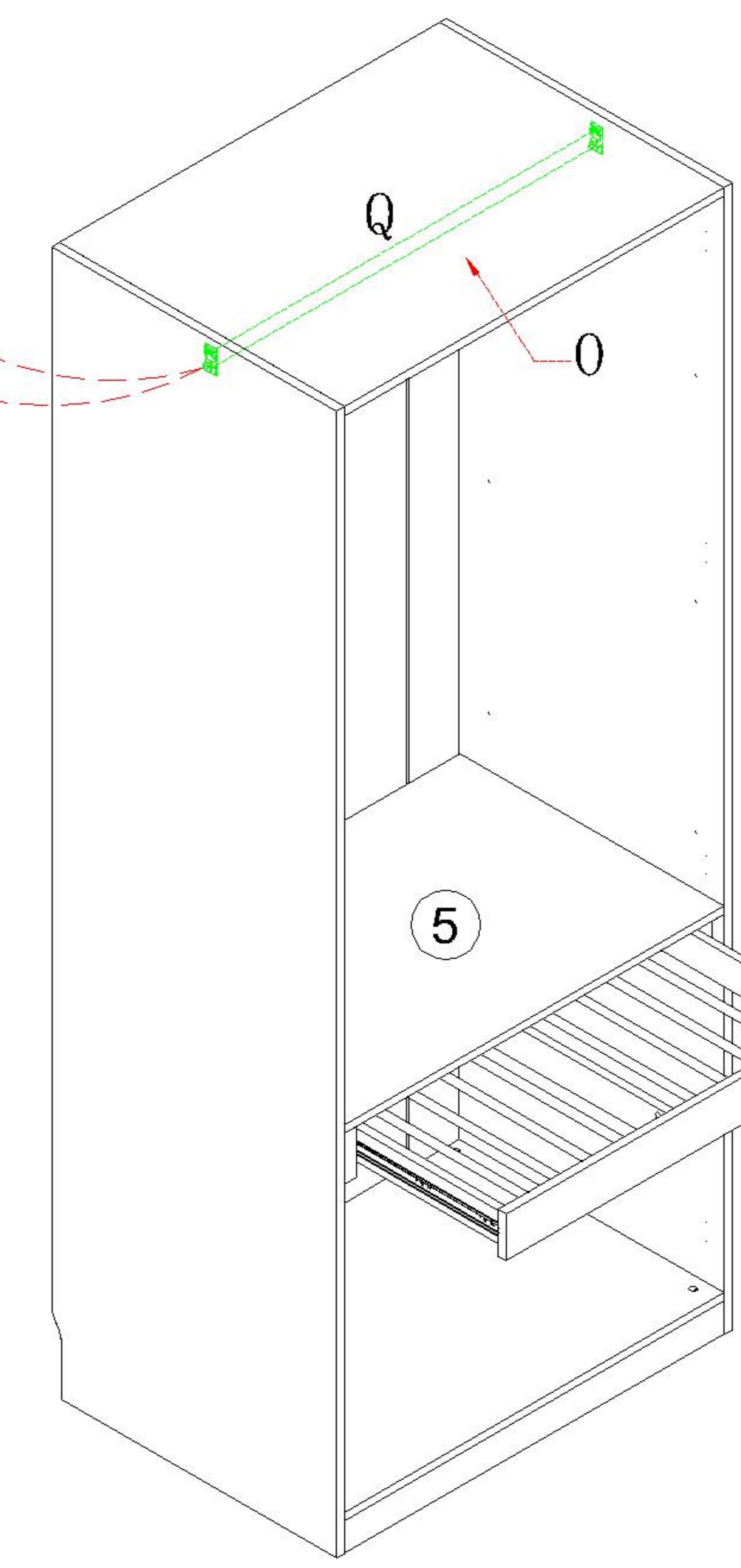
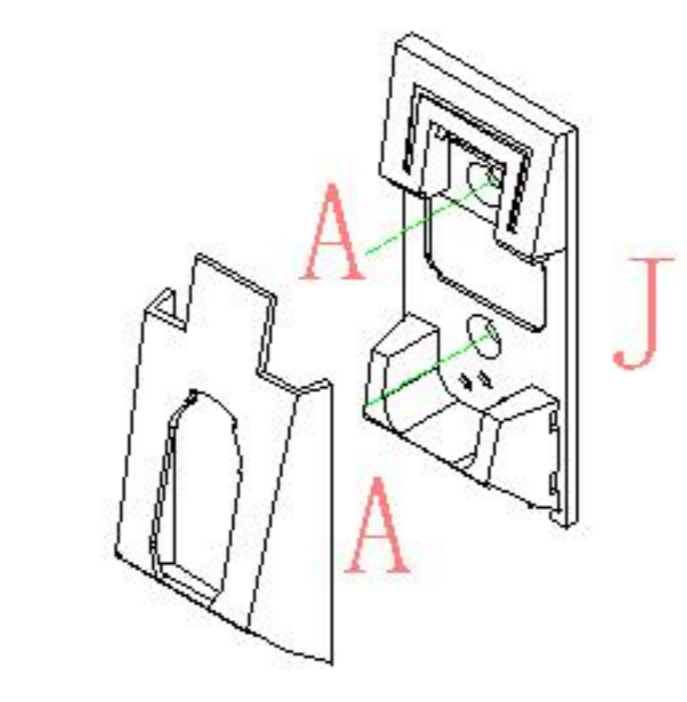
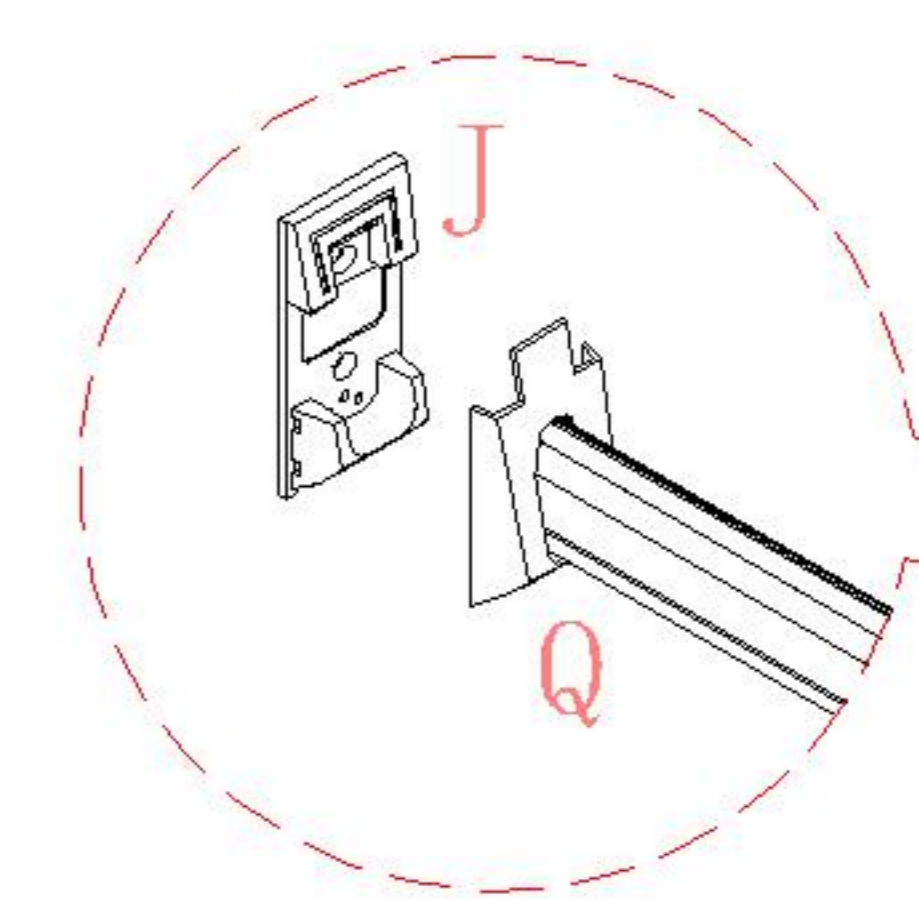
(J)*2



(Q)*1



(O)*1



注意!五金0: 把3M胶铁片贴在顶板的适宜位置上, 把人体感应LED灯开关调整好后放入即可使用。

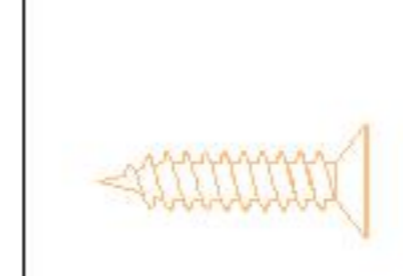
Attention! Hardware 0: Put the 3M rubber iron sheet on the appropriate position of the top plate, adjust the human induction LED light switch and then put it into use.

10

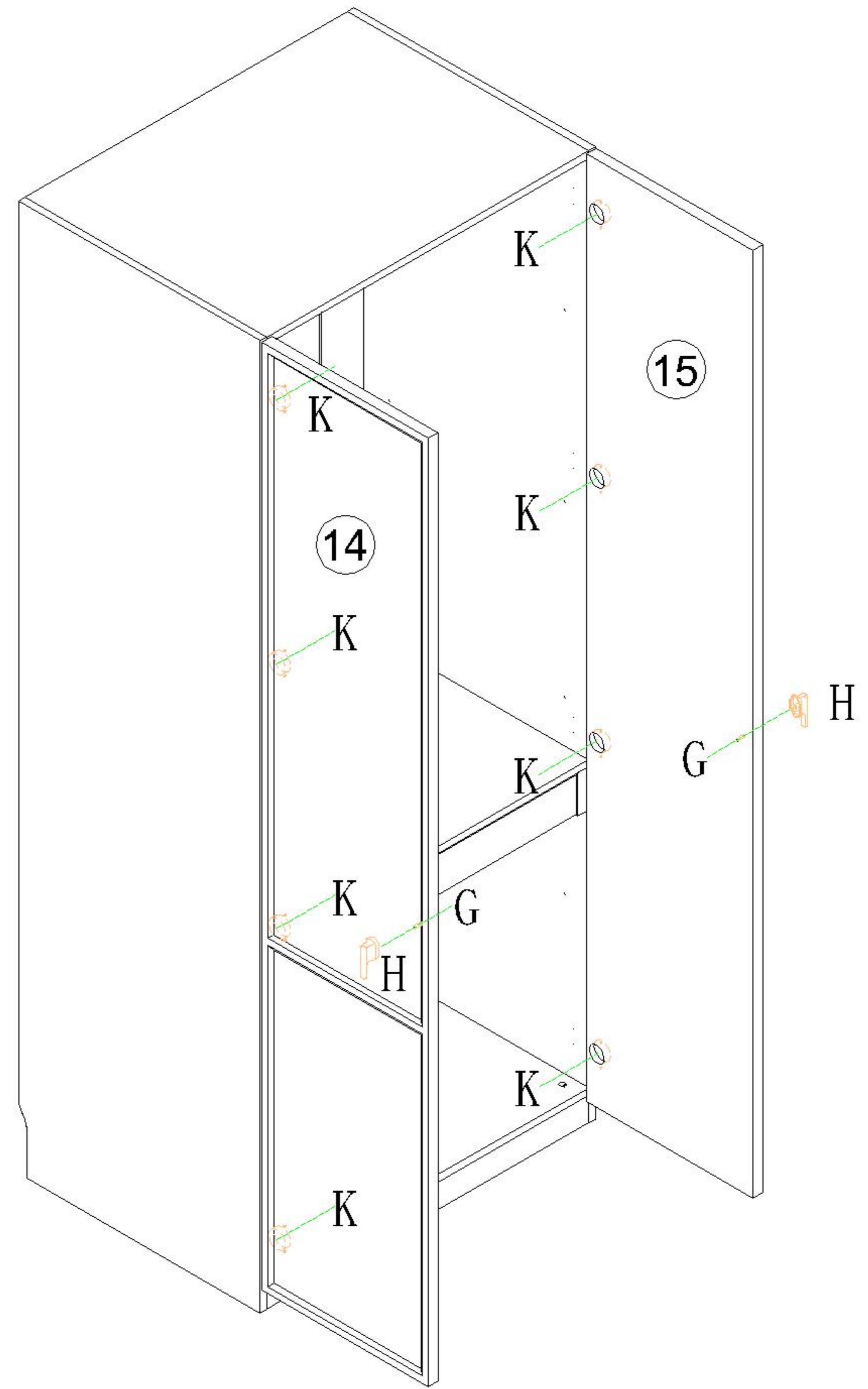
11



(D)*6



(F)*6



11

DF

DF

DF

7

DF

DF

DF

12