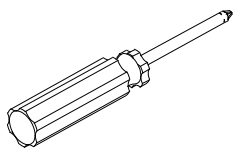
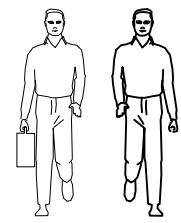


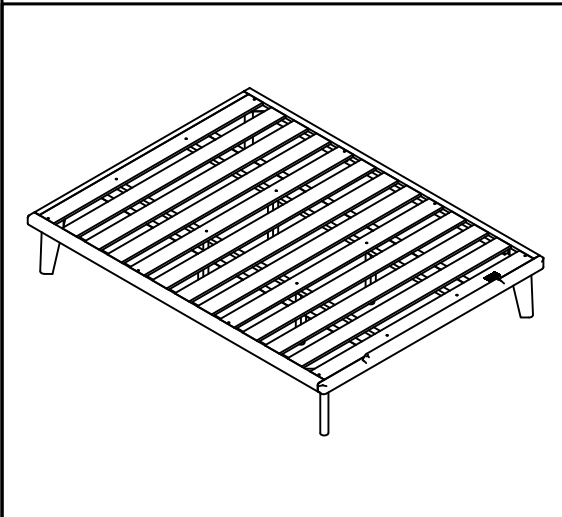
LINSY 林氏家居




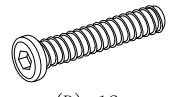

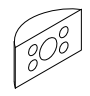
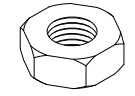
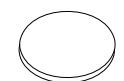
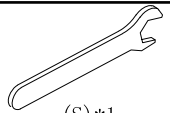
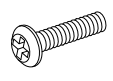
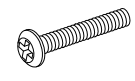
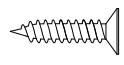
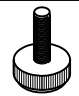
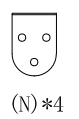
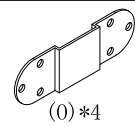

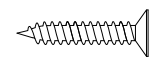

五金表/Hardware list

部件表/Parts List

安装示意图/Assembly Instruction

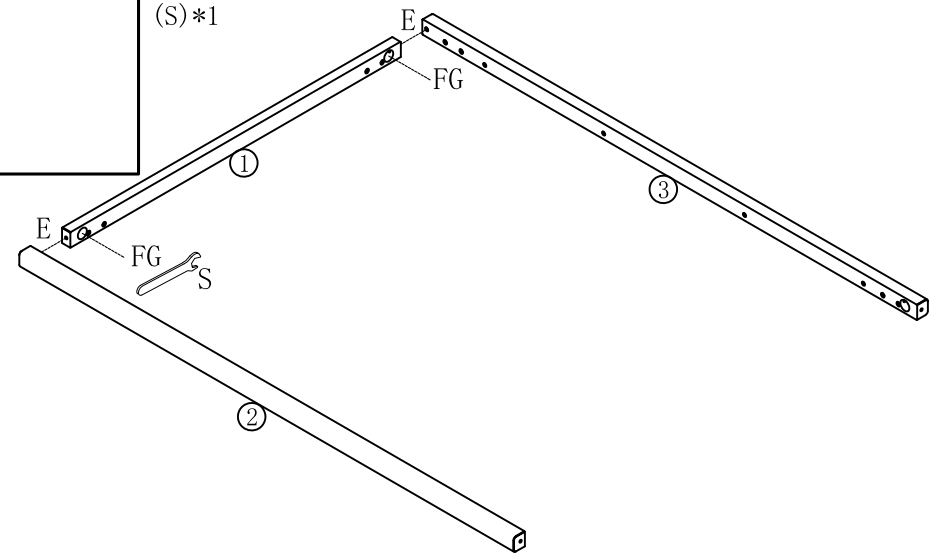
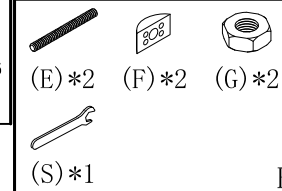
产品名称 Model NO.	PK3A-A1.5米/M
产品规格 Specification	2032*1532*336mm
安装工具 Tool	安装人数 Installer
	



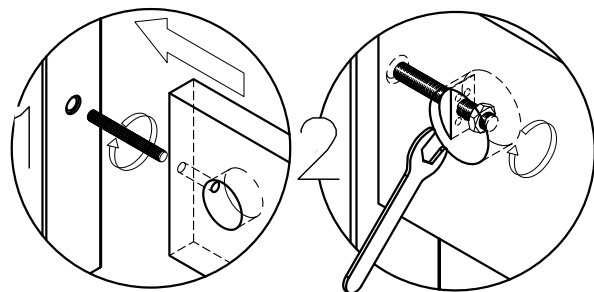
 (A)*1 5mm内六角扳手 Wrench-(5mm)	 (B)*12 锤母-(M8*15mm) Hammer nut	 (C)*4 角码177*177*41mm Corner code	 (D)*12 斜边内六角螺杆M8*80mm Beveled hexagon socket screw
 (E)*4 全牙螺杆(M8*70mm) Threaded rol (M8*70mm)	 (F)*4 五合一月牙 Five-in-one crescent	 (G)*4 外六角螺母-M8 Hexagon Nut-(M8)	 (H)*4 灰色毛毡垫 φ25*3 Grey felt pad
 (S)*1 开口扳手-14mm Open End Wrench-(14mm)	 (J)*16 斜边十字螺杆M8*20mm Bevel cross screw	 (K)*8 斜边十字螺杆M6*35mm Bevel cross screw	 (L)*38 自攻螺丝M4*16 Self-tapping screw
 (M)*4 φ30mm调节五金脚 Adjustable hardware foot	 (N)*4 五金件-公连接件 Male hardware	 (O)*4 五金件-母连接件 Female hardware	 (P)*1 排骨架1440*1960*16 Row skeleton
 (Q)*17 排骨架自带螺丝M4*30 Self-tapping screw included in frame	 (R)*4 L=90mm 黑色垫片15*3 Black gasket		

编号NO.	名称Name	规格Specification	数量QTY	材质Material
①	床头 Head of bed	1442*54*35mm	1	实木 Solid Wood
②	左床侧 Bedside(L)	1997*54*45mm	1	实木 Solid Wood
③	右床侧 Bedside(R)	1997*54*45mm	1	实木 Solid Wood
④	床尾 Bed tail	1532*79*35mm	1	实木 Solid Wood
⑤	脚 Foot	288*140*50mm	4	实木 Solid Wood
⑥	床侧加厚条 Bed side thickened strip	1582*35*25mm	2	实木 Solid Wood
⑦	床板托条 Bed board support strip	1948*35*25mm	2	实木 Solid Wood
⑧	中脚 Middle foot	250*35*35mm	4	实木 Solid Wood

安装步骤/Installation steps



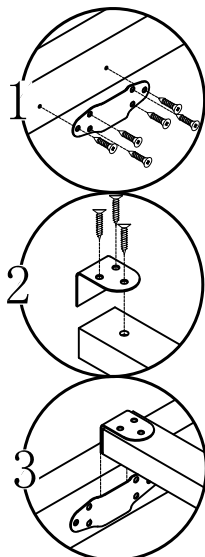
安装方法/Installation method



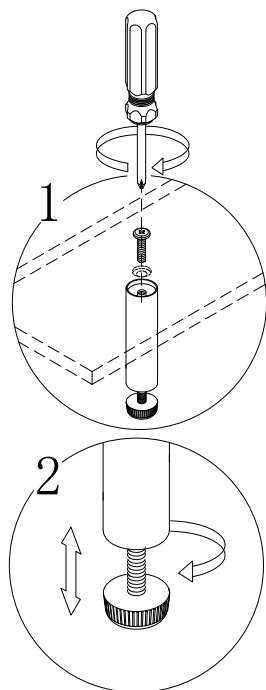
五合一/Five-in-one

PK3A-A 1.5米/M

安装方法/
Installation method



公母连接件/ hardward



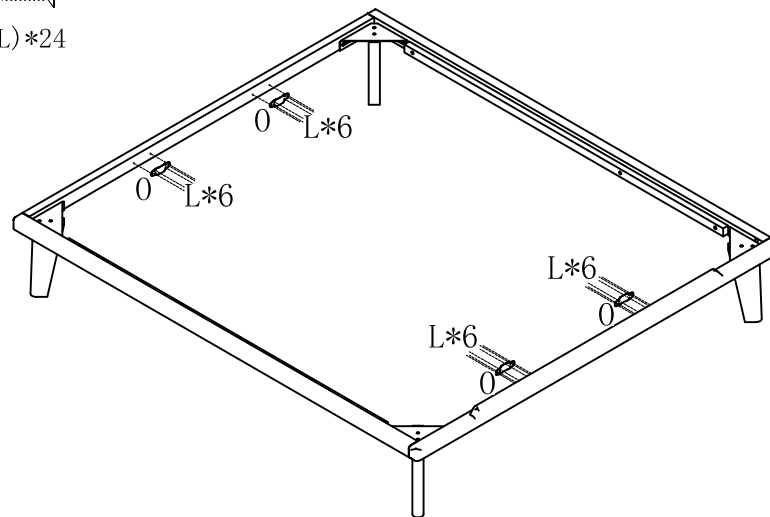
调节脚/Adjustable foot



(O)*4



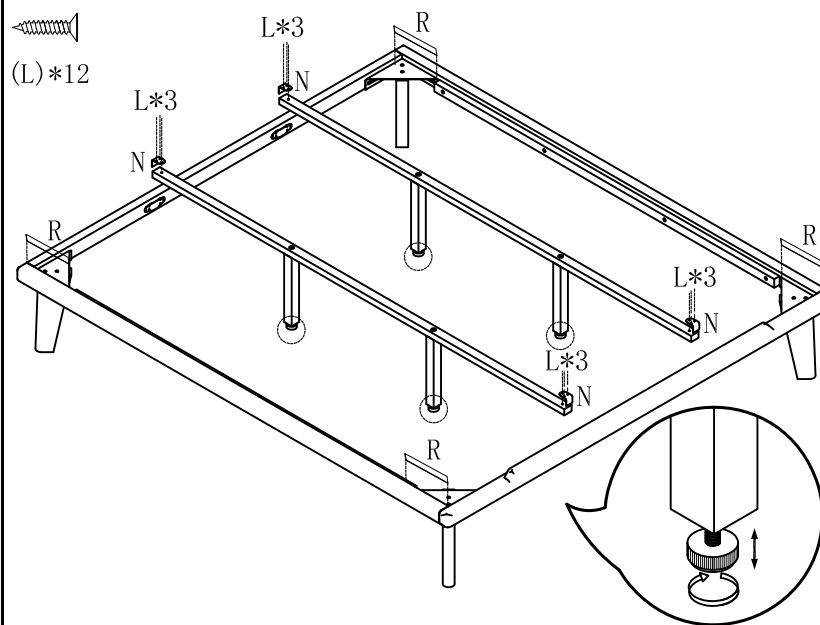
(L)*24



(N)*4 (R)*4



(L)*12



6



(A)*1



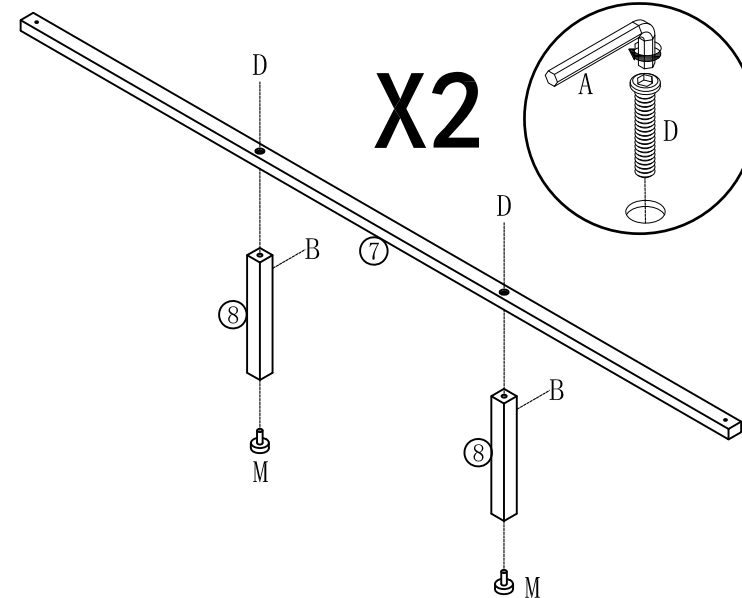
(B)*4



(D)*4



(M)*4



7

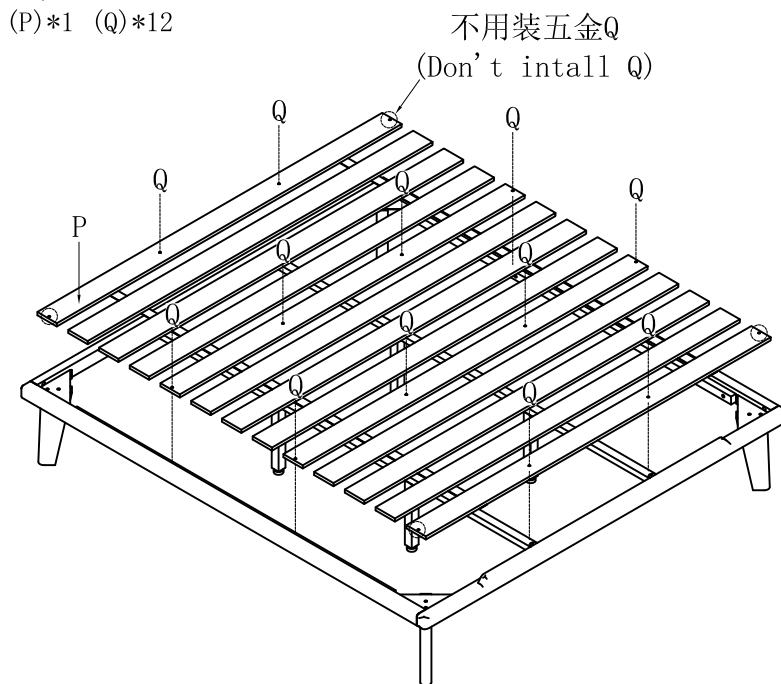
8



(P)*1



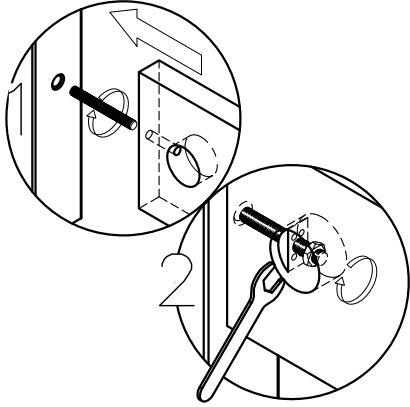
(Q)*12



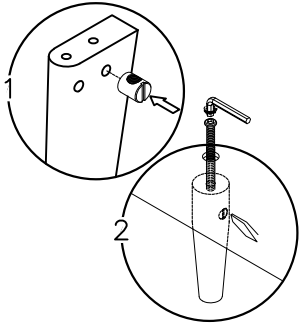
9

PK3A-A 1.5米/M

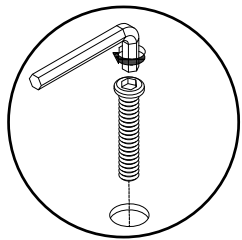
安装方法/
Installation method



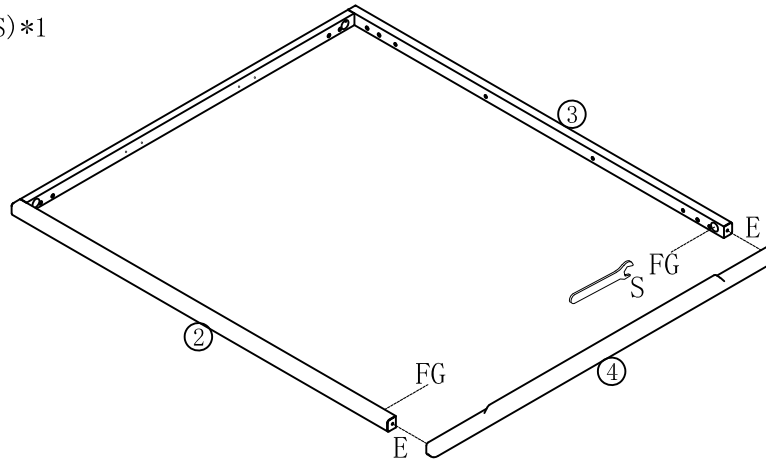
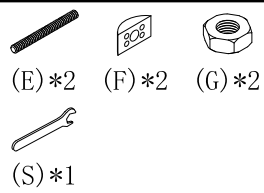
五合一/5 in 1



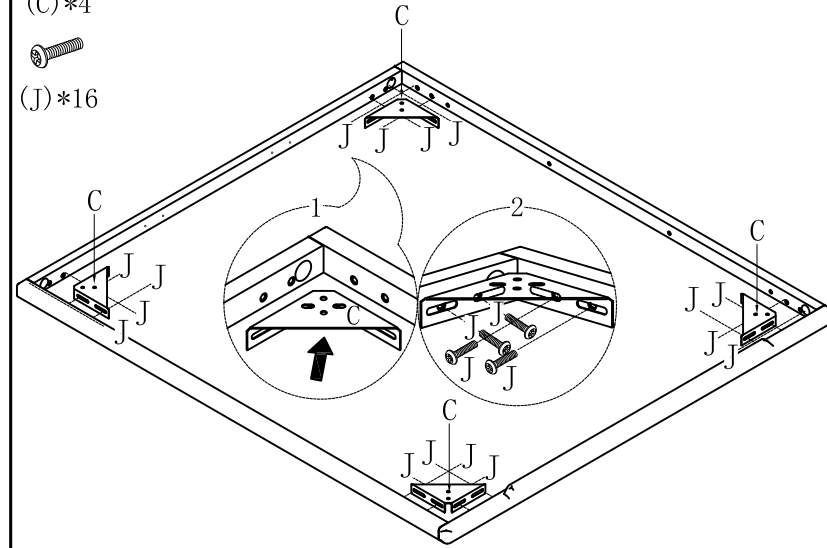
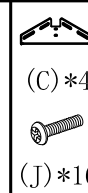
锤母/Hammer nut



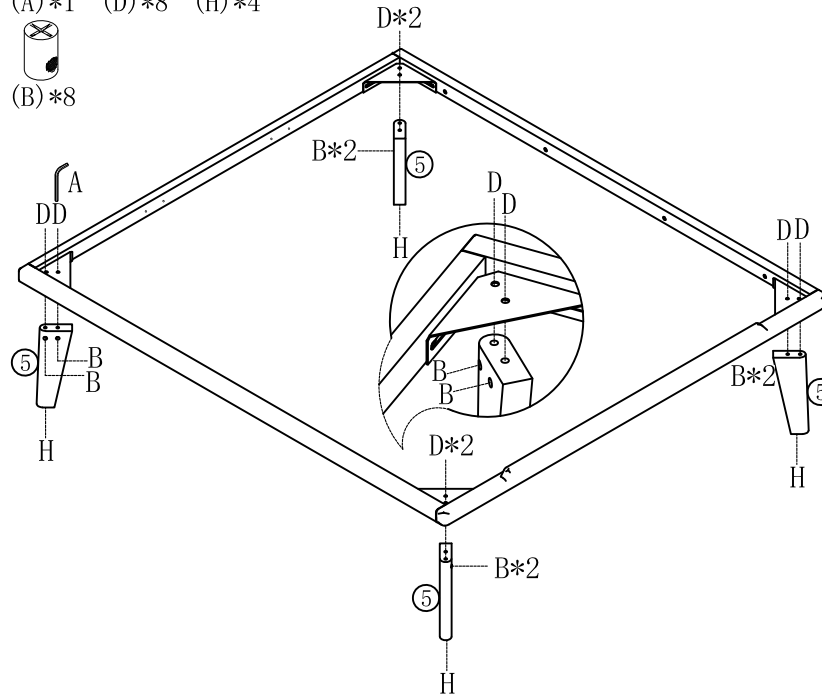
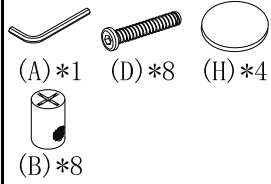
斜边内六角螺杆/Beveled
hexagon socket screw



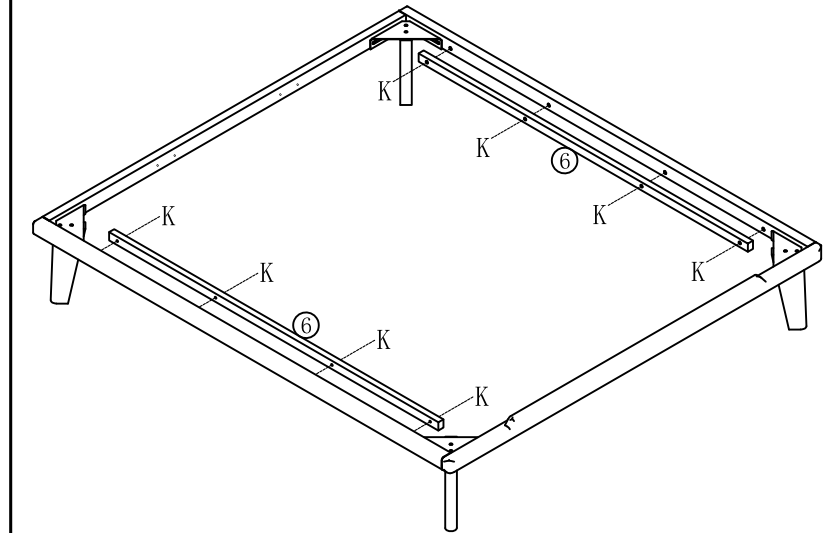
2



3



4



5