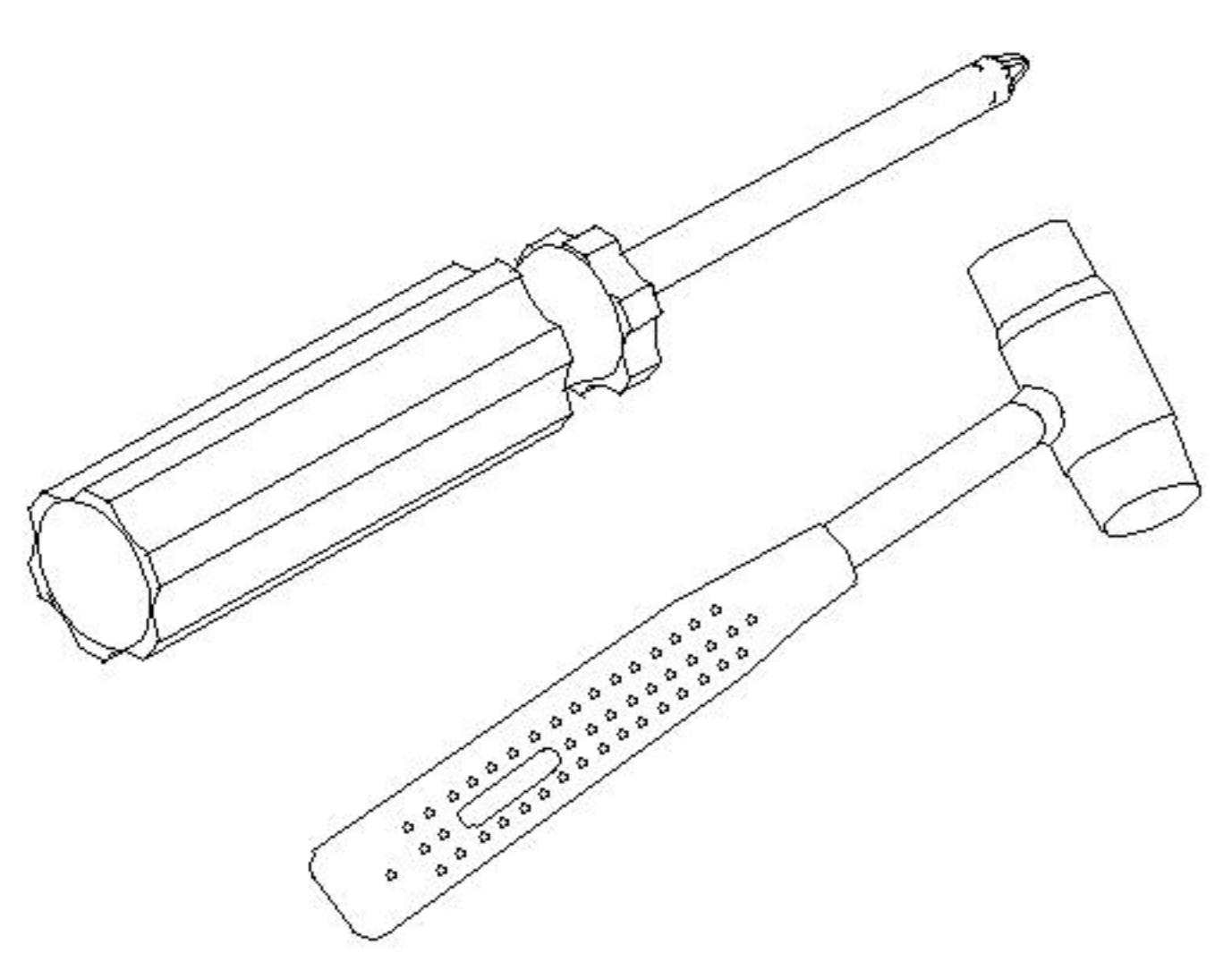
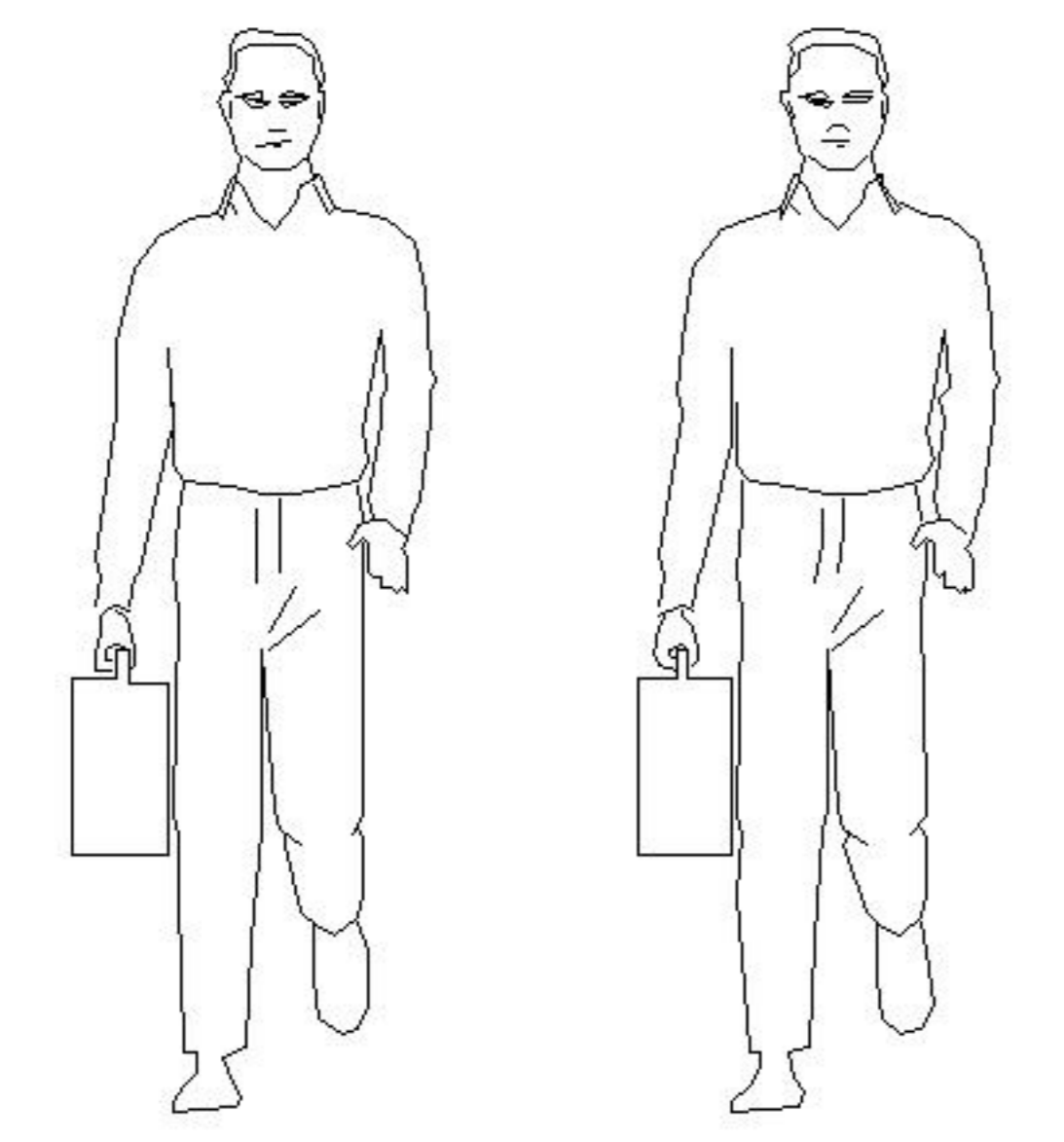


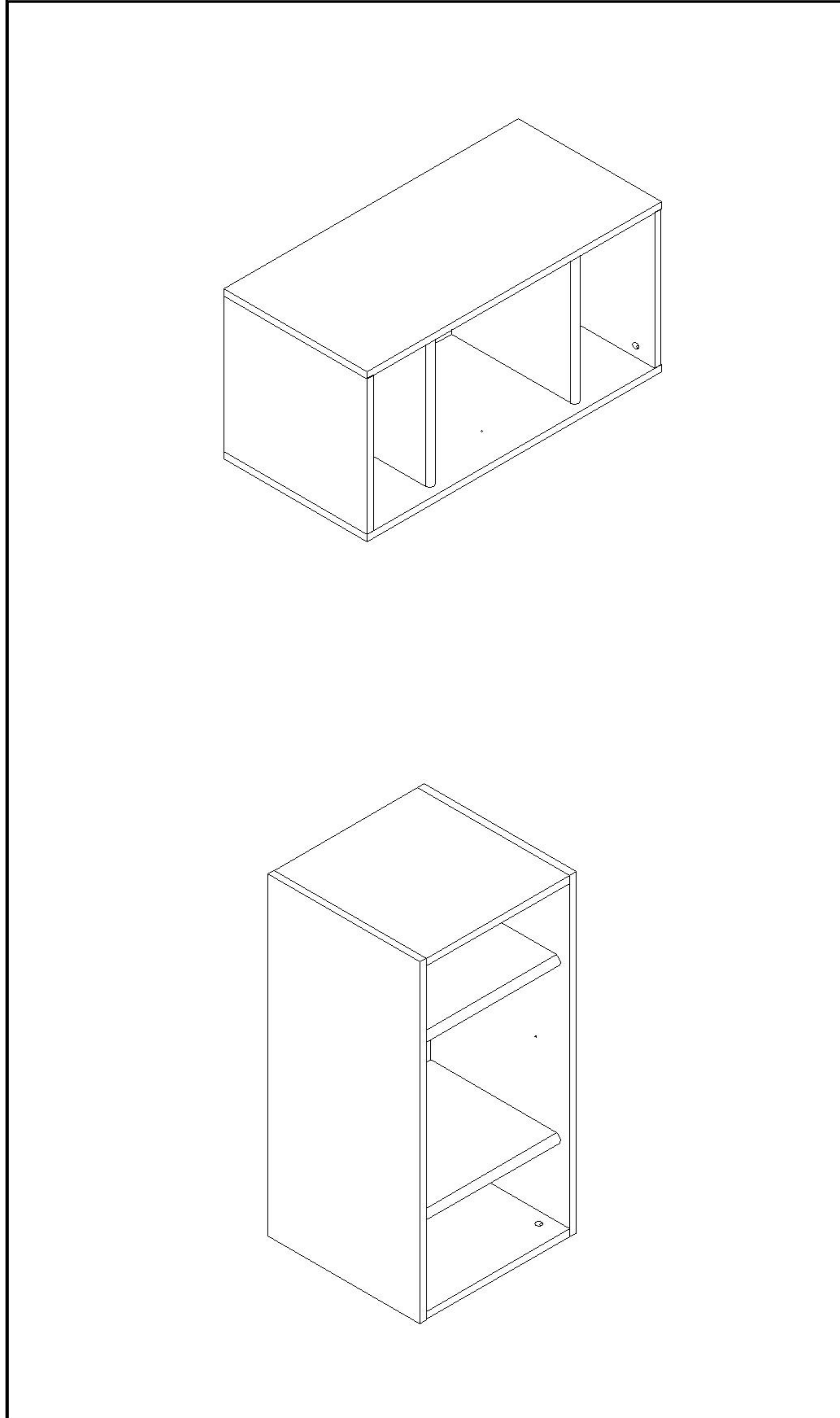
LINSY 林氏家居

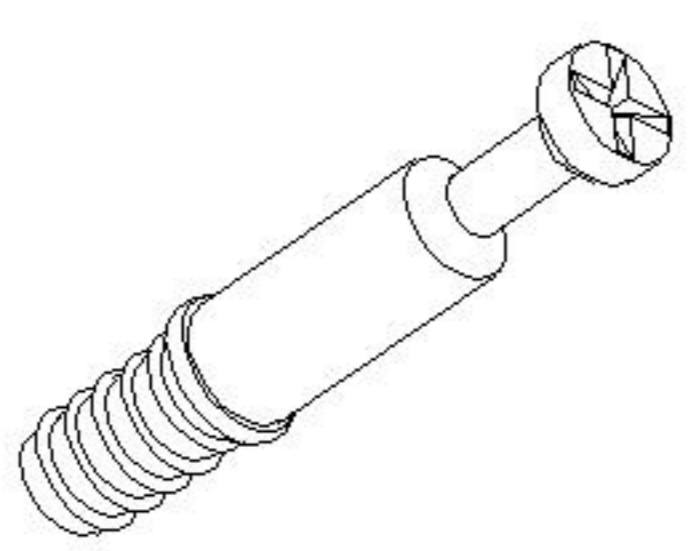
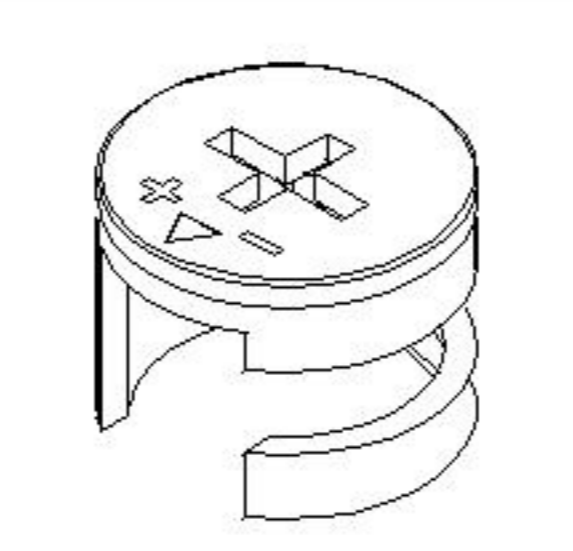
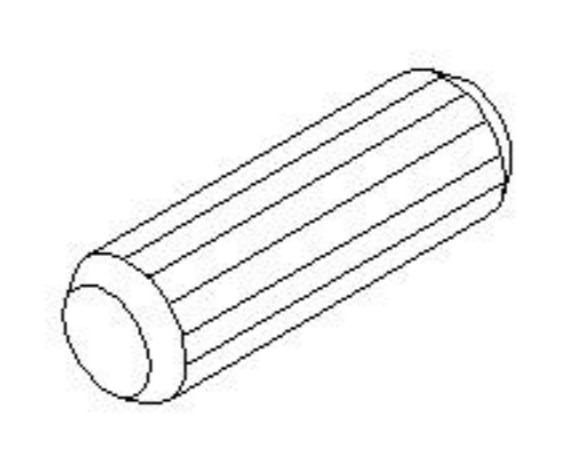
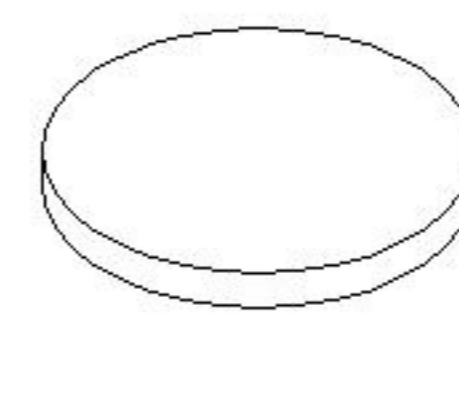
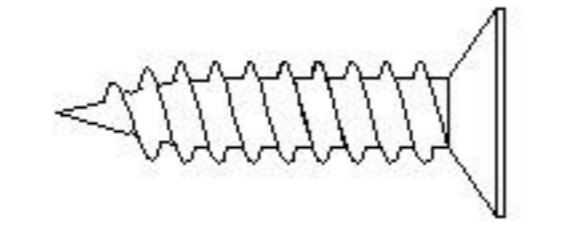
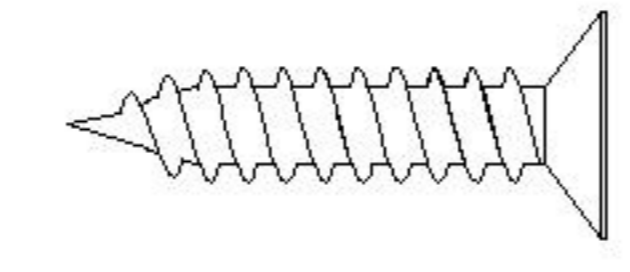
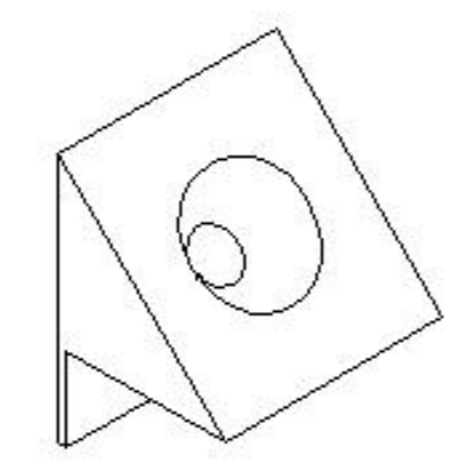
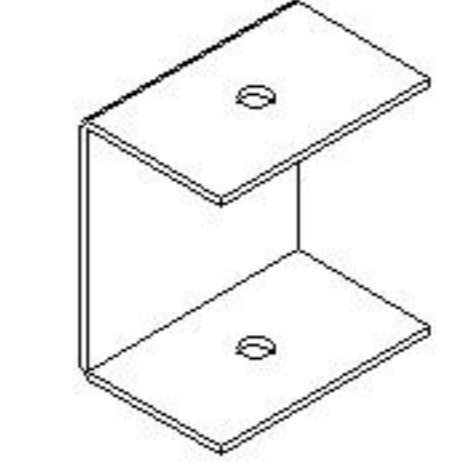
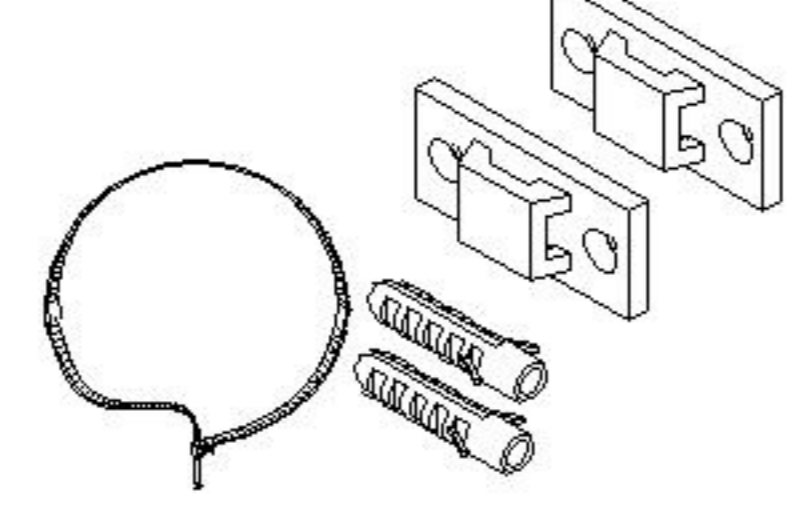
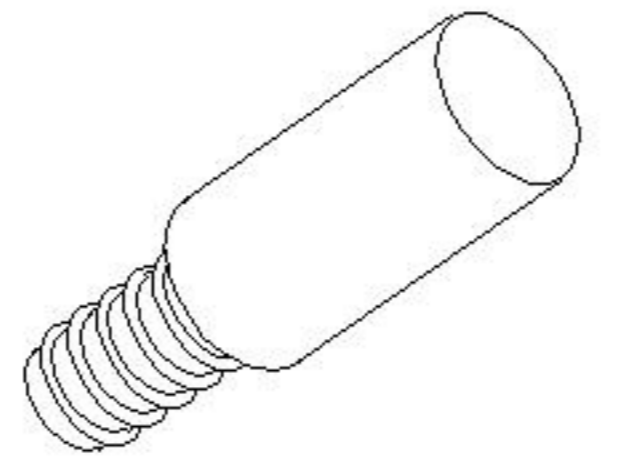
五金表/Hardware list

部件表/Parts List

安装示意图/Assembly Instruction

产品名称 Model NO.	KQ4E-A
产品规格 Specification	720*350*363mm
安装工具 Tool	安装人数 Installer
	



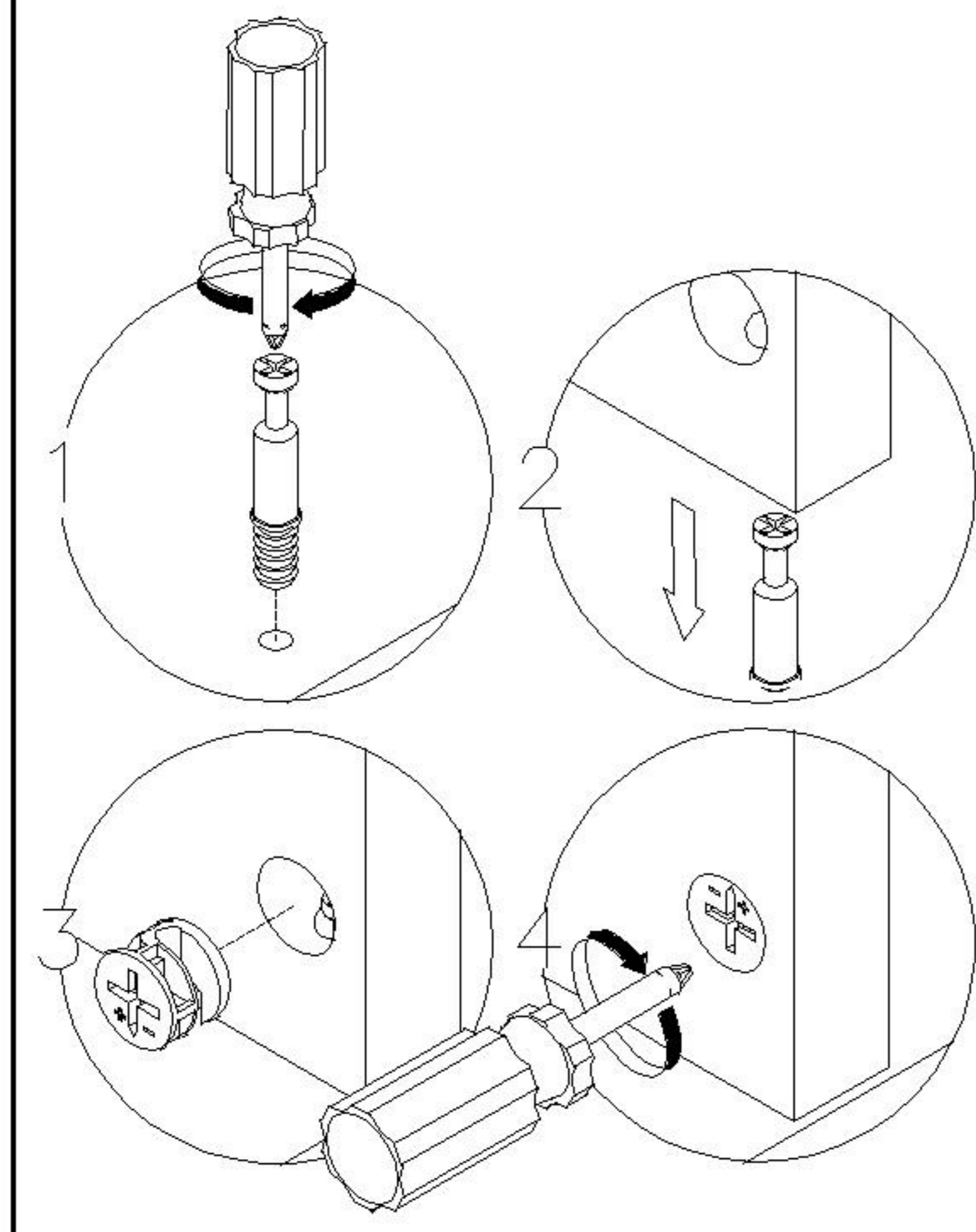
 (A)*8 二合一螺杆 2-in-1-screw	 (B)*8 大三合一锁饼 3-in-1 large lock	 (C)*8 木榫Ø8x30mm Wood tenon	 (D)*4 灰色毛毡垫 Foot pad
 (E)*4 白攻螺丝M3.5*12mm Tapping screw	 (F)*6 白攻螺丝M3.5*16mm Tapping screw	 (G)*6 背板扣 White buckle	 (H)*2 U型卡扣 U-shaped buckle
 (I)*1 家具防倒器-白色 Anti-fall device	 (J)*8 活动层板托杆 Laminated support rod		

编号NO.	名称Name	规格(mm) Specification	数量QTY	材质Material
①	顶底板Top base board	720*350*15	2	三胺板 Melamine
②	侧板Side board	330*350*15	2	三胺板 Melamine
③	中隔板 Middle clapboard	329*300*20	2	实木 Wood
④	背板Back board	698*340*5	1	三胺板 Melamine
⑤				
⑥				
⑦				
⑧				
⑨				
⑩				
⑪				
⑫				
⑬				
⑭				
⑮				
⑯				
⑰				
⑱				
⑲				
⑳				
㉑				
㉒				
㉓				
㉔				
㉕				

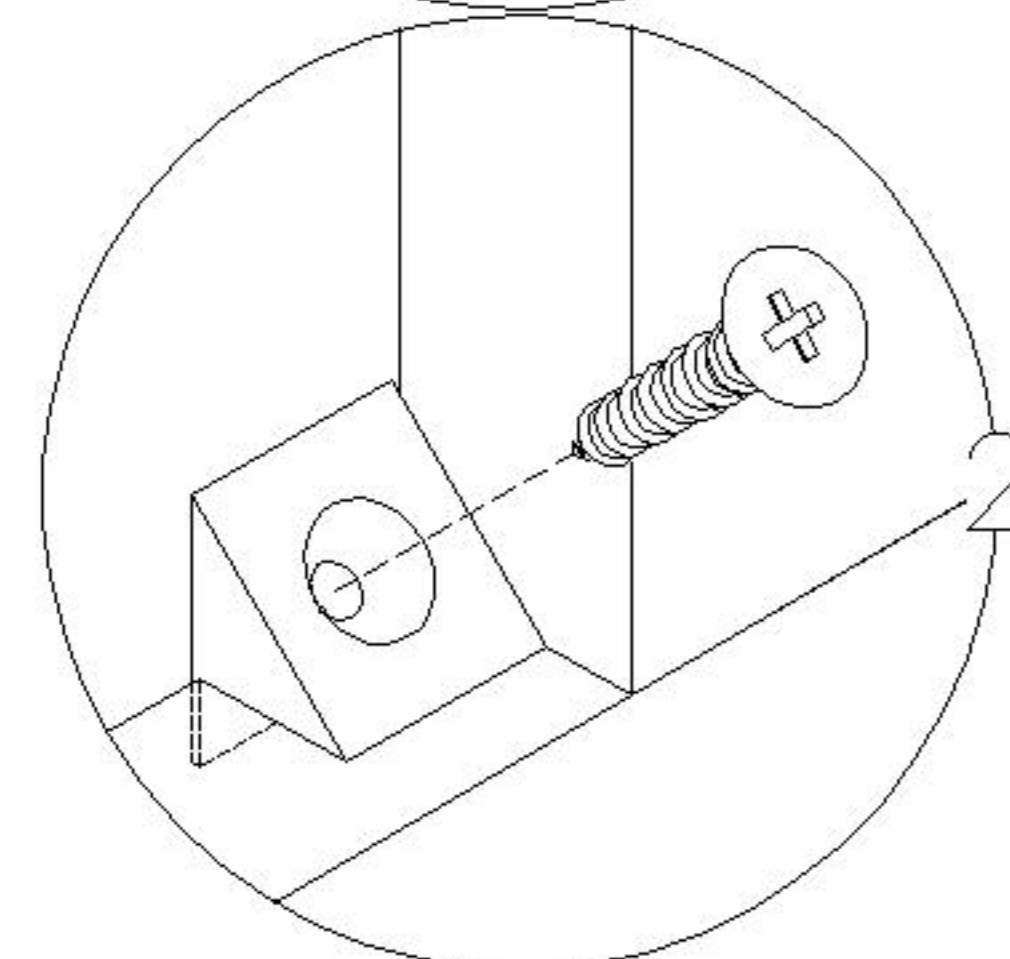
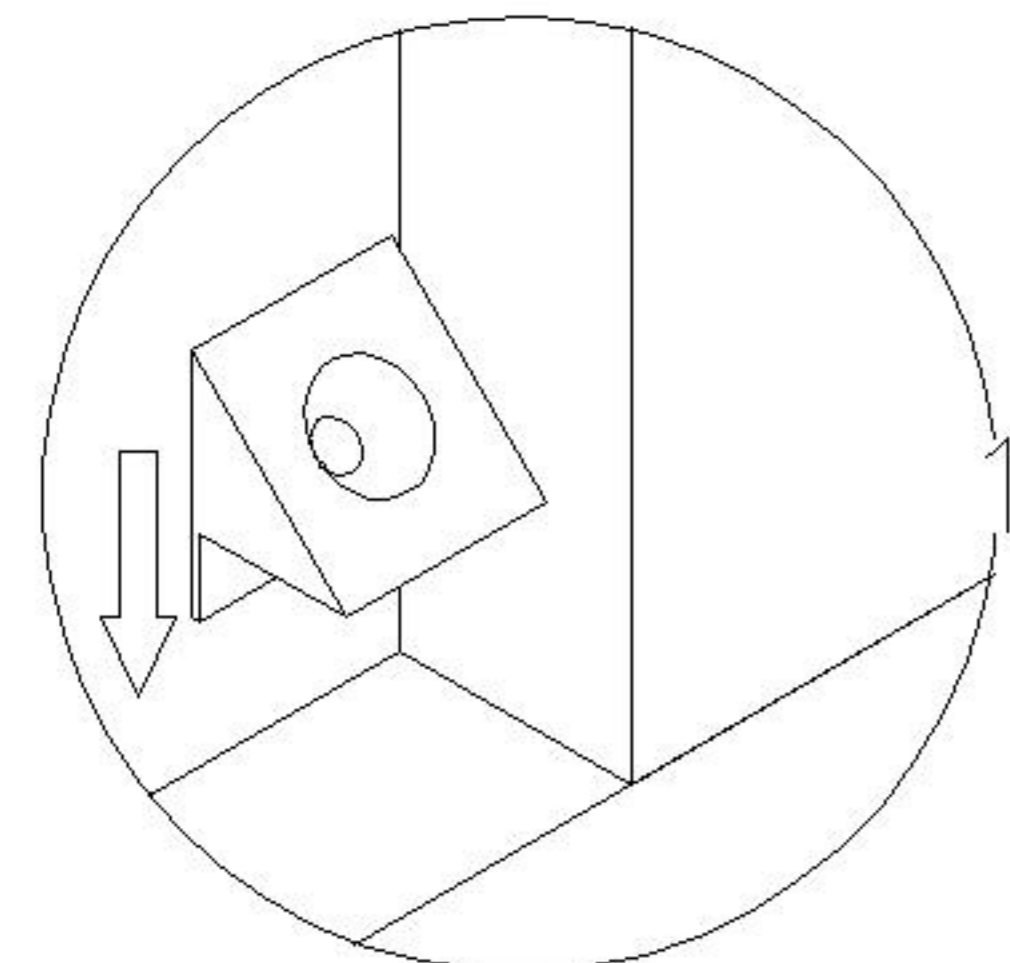
KQ4E-A

安装方法

Installation method



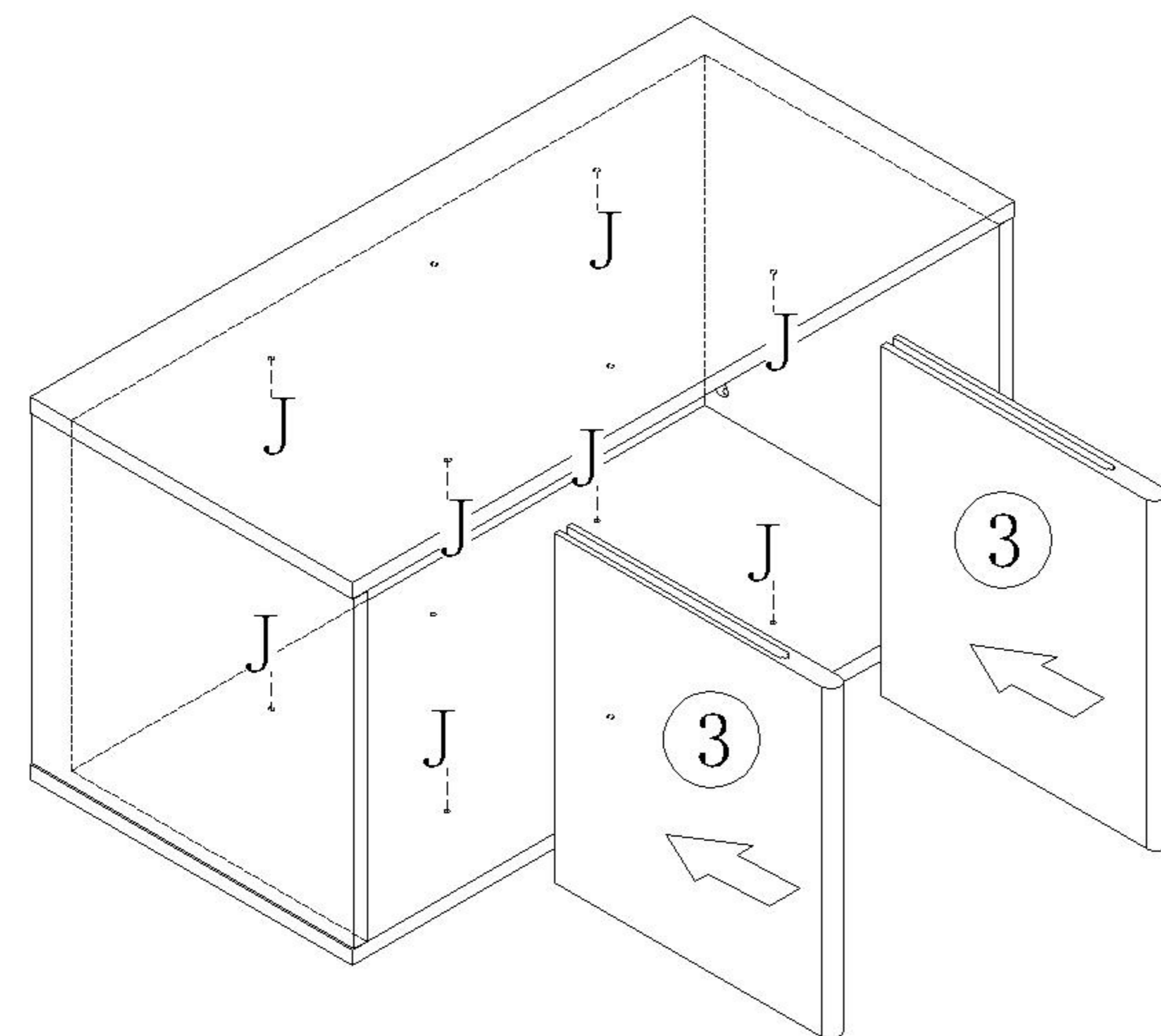
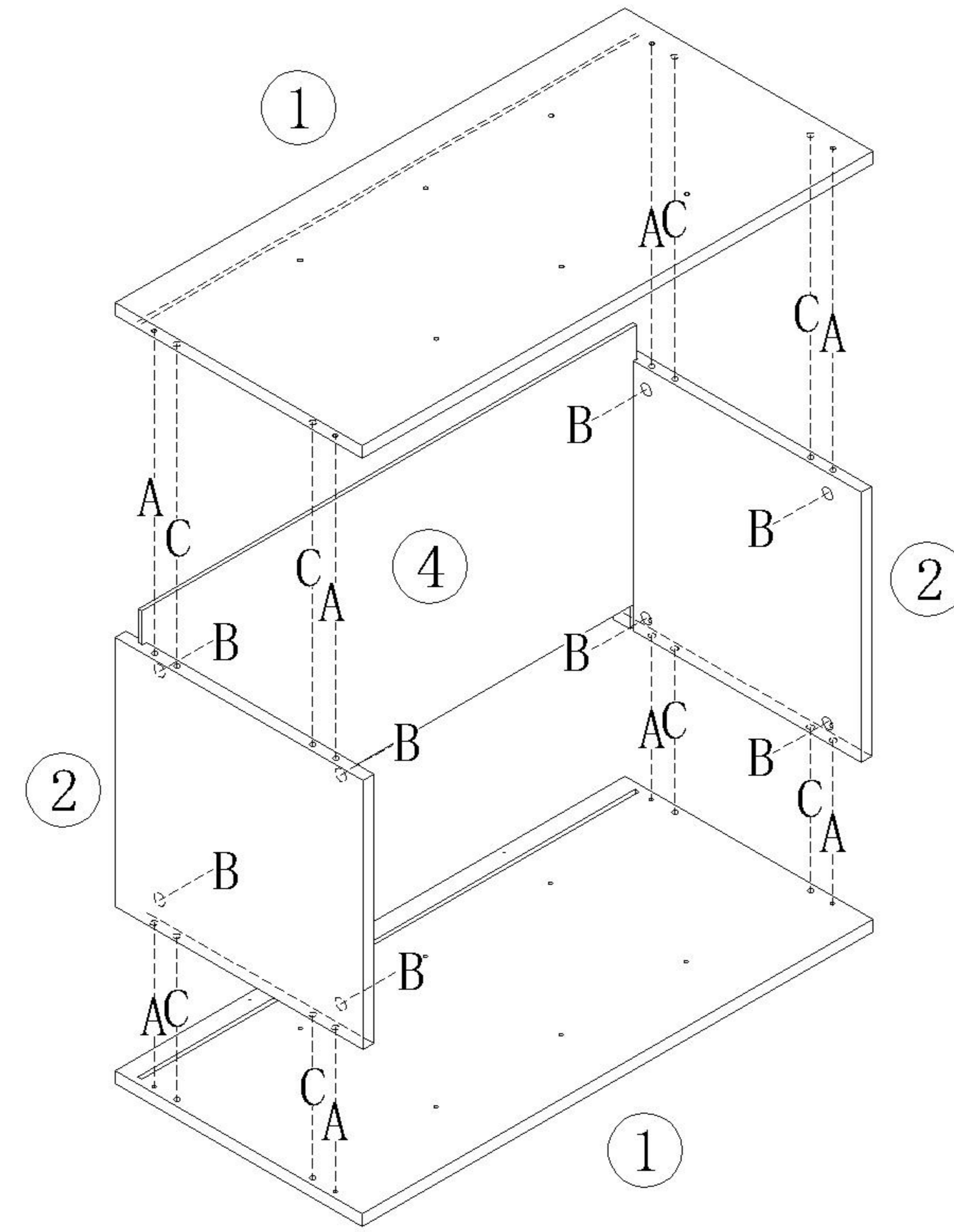
二合一 two-in-one



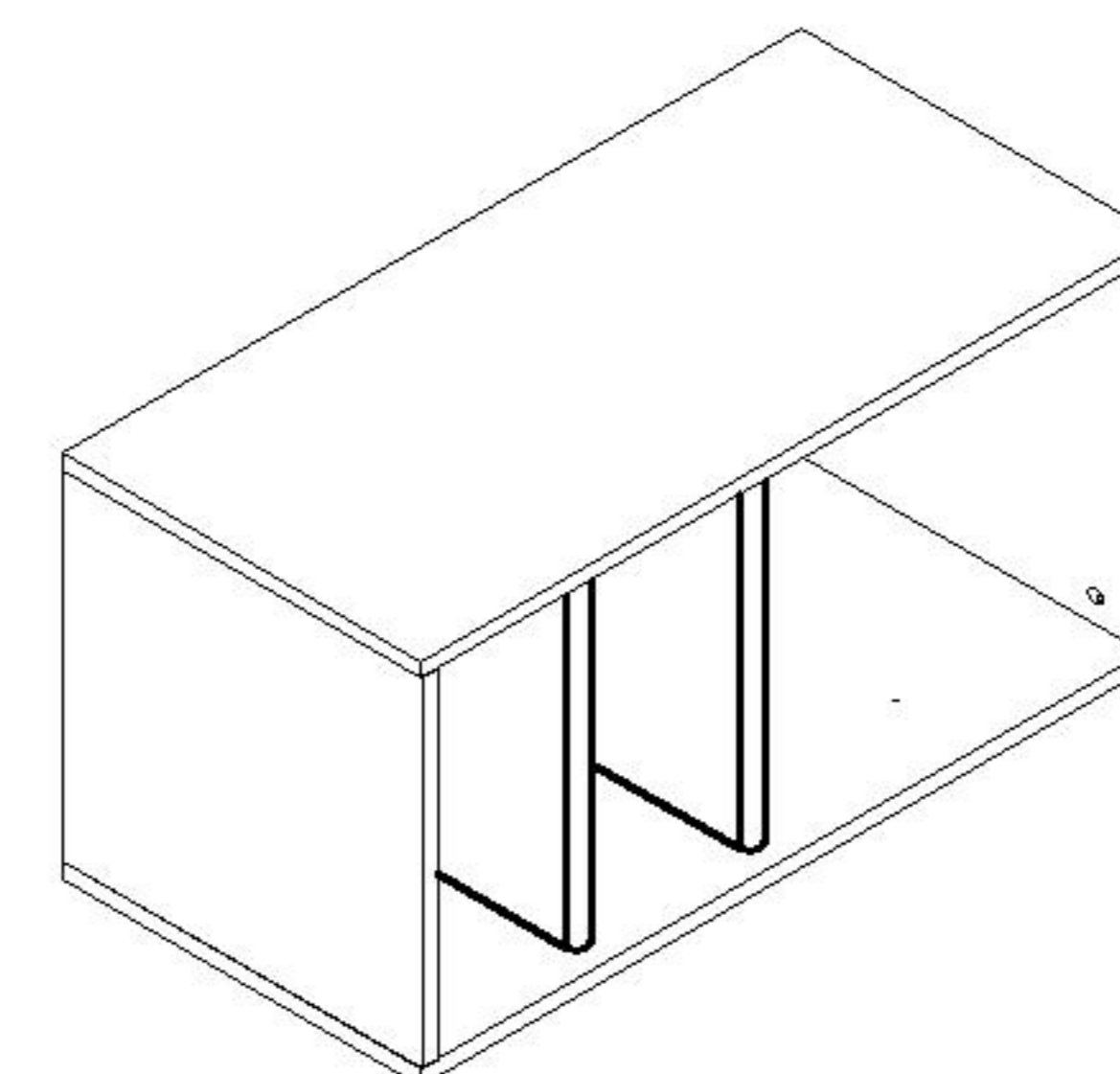
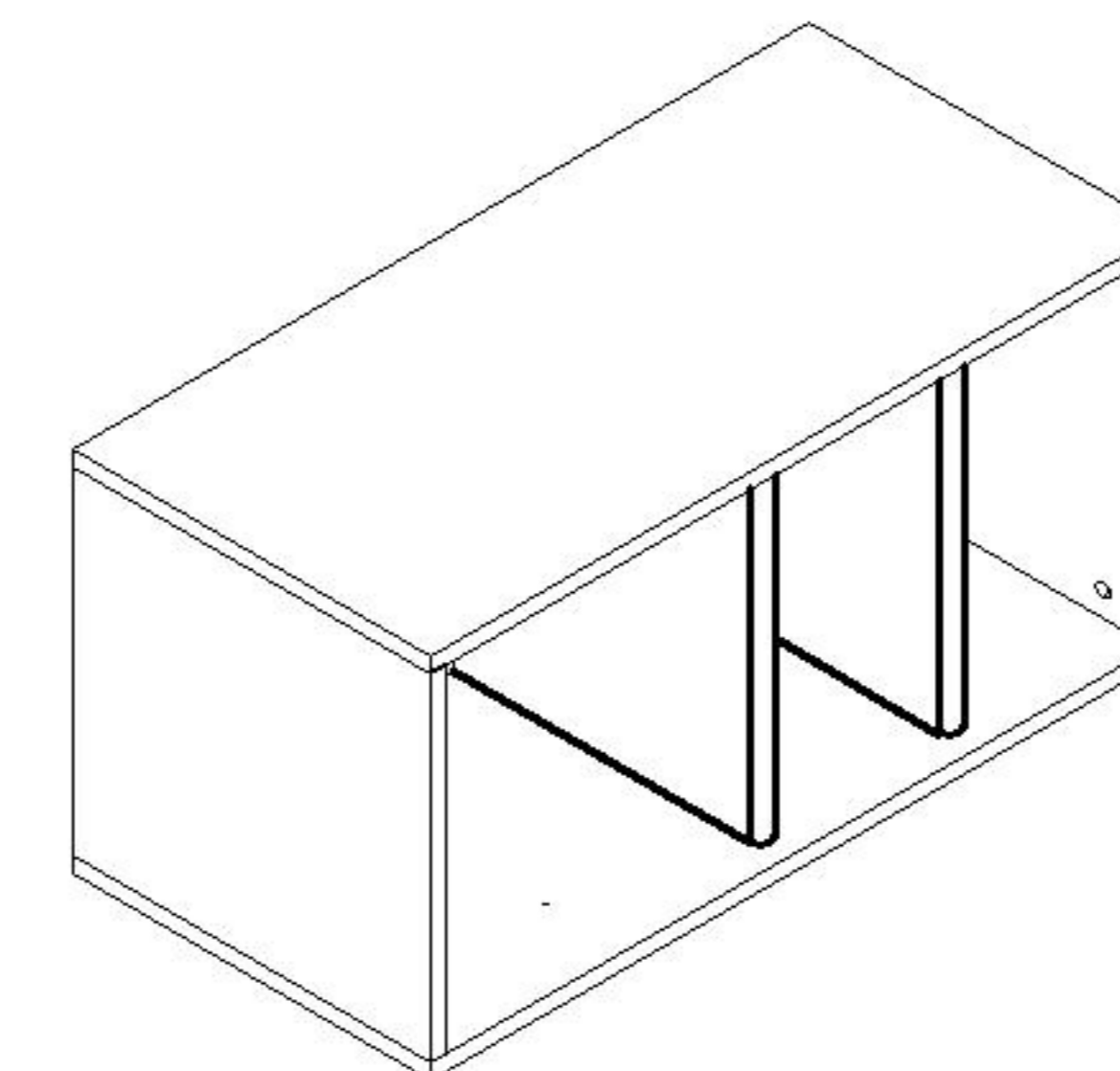
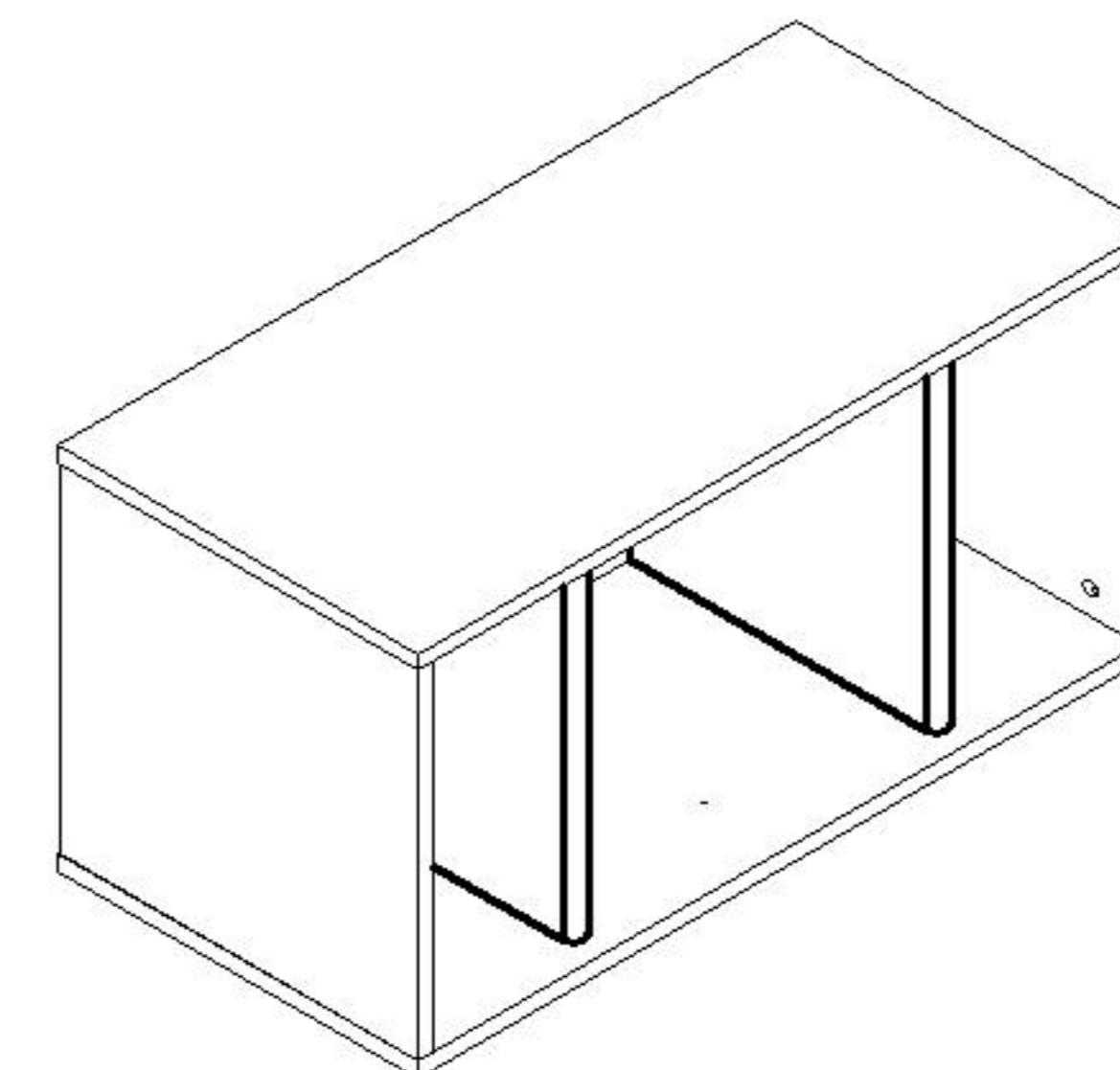
背板扣
Back Plate Buckle

- (A) *8
- (B) *8
- (C) *8

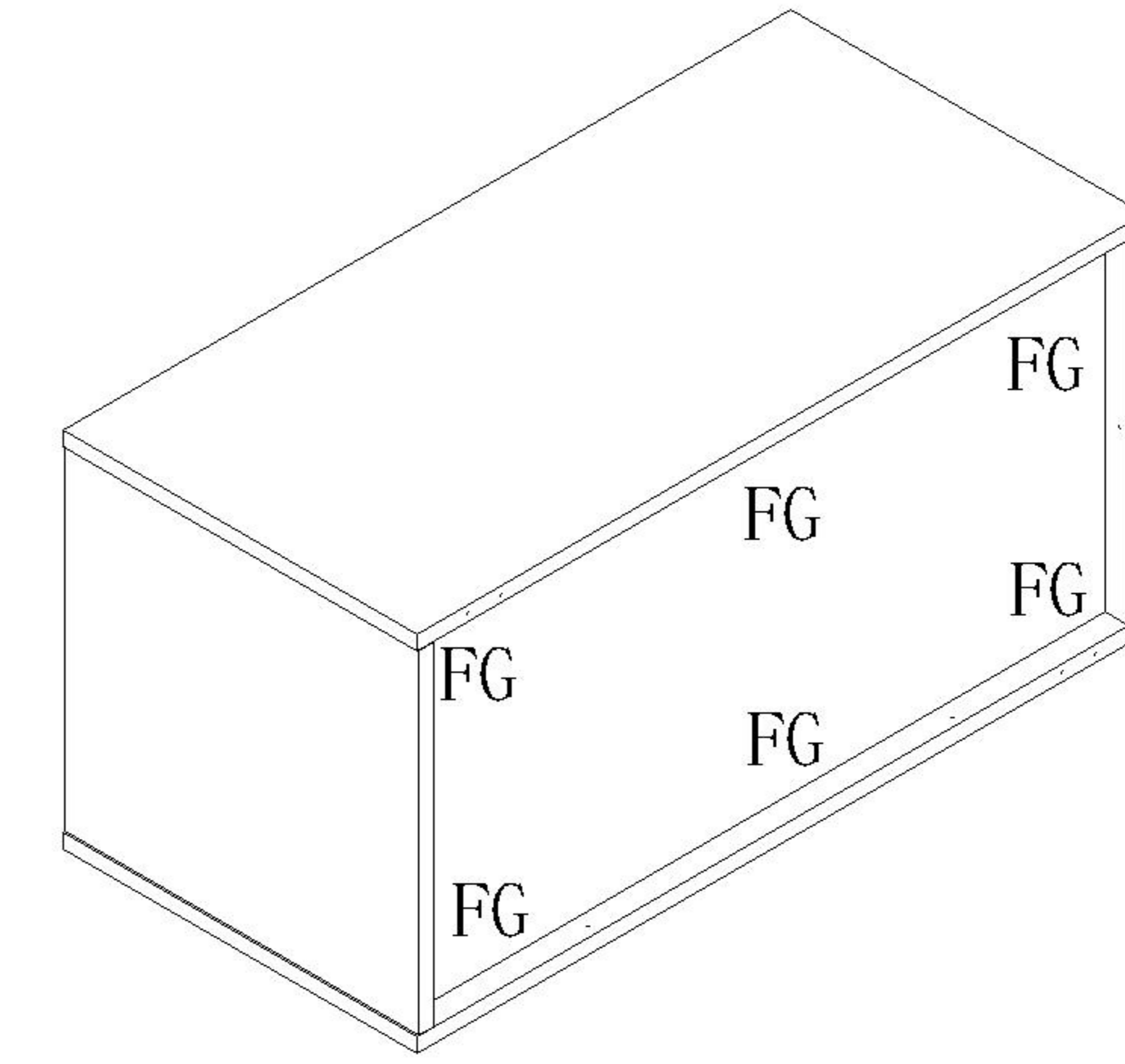
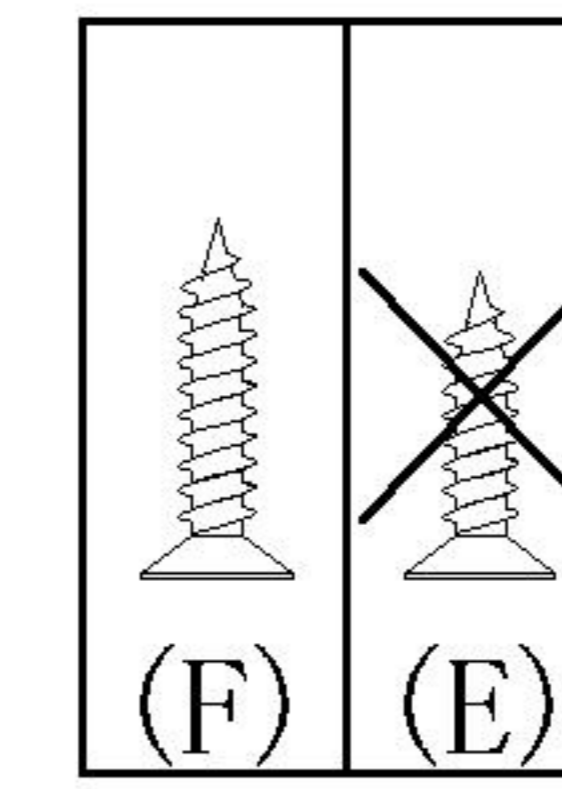
- (J) *8



中隔板可自由安装
The middle partition can be freely installed

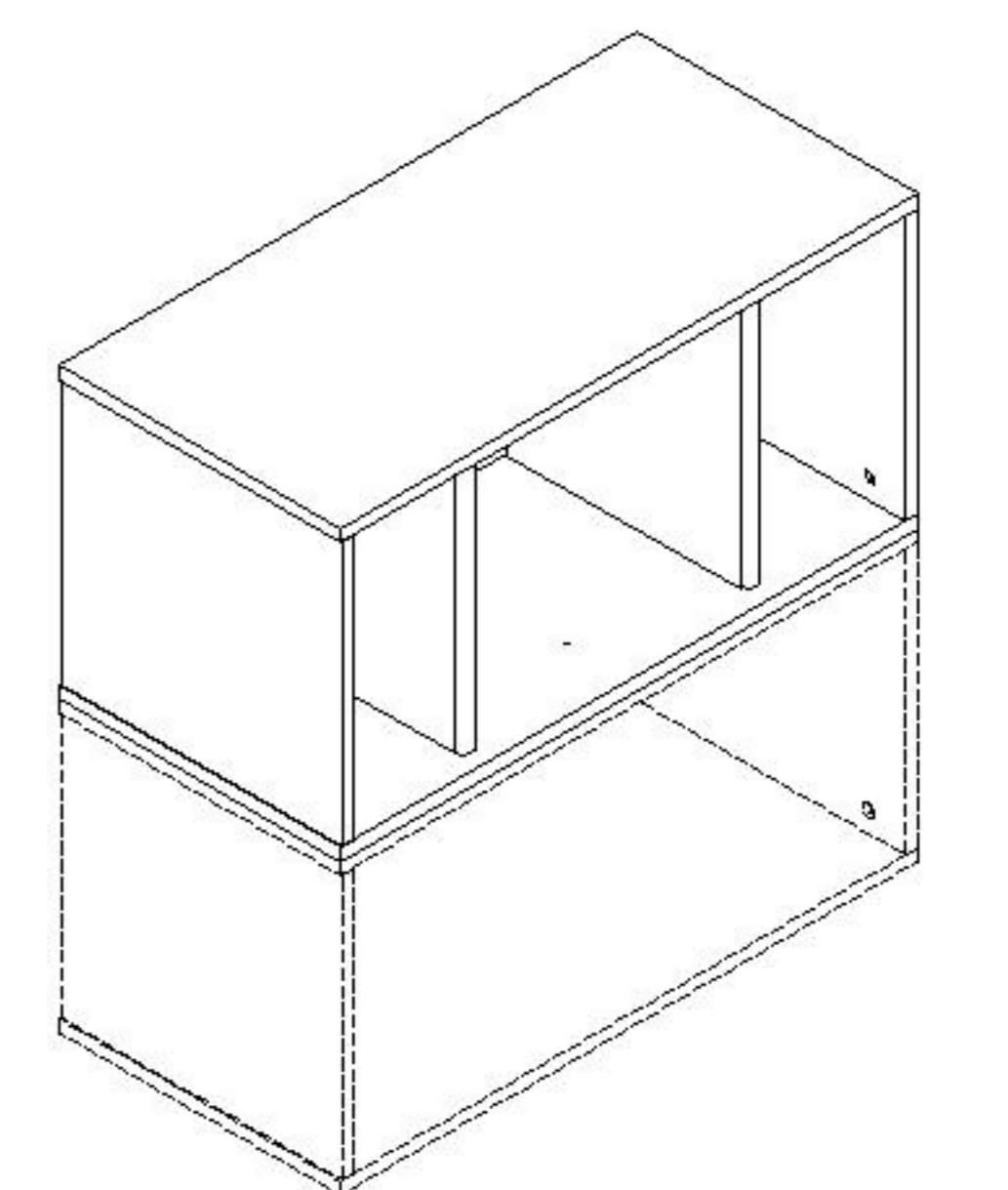
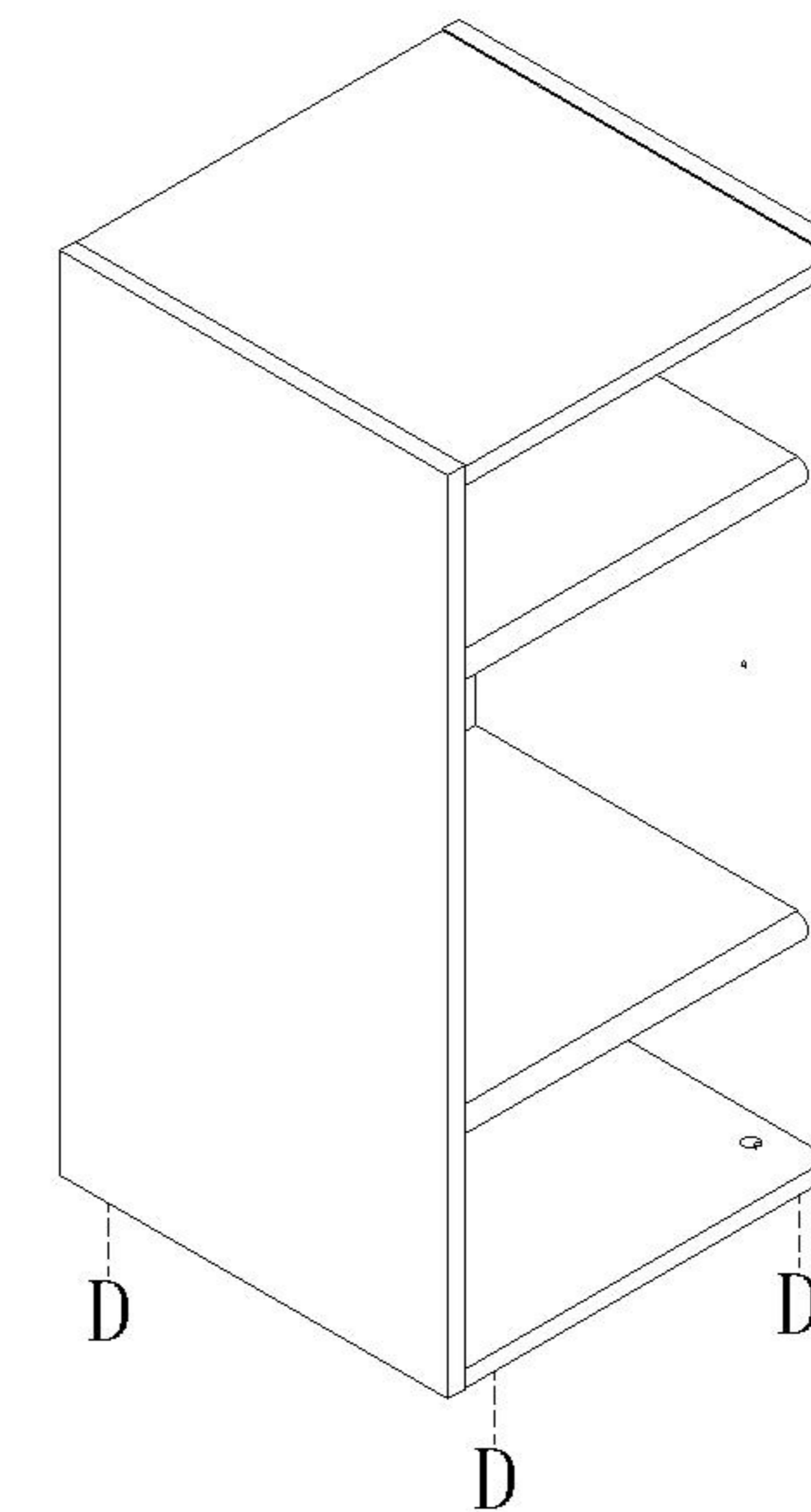


- (F) *6
- (G) *6

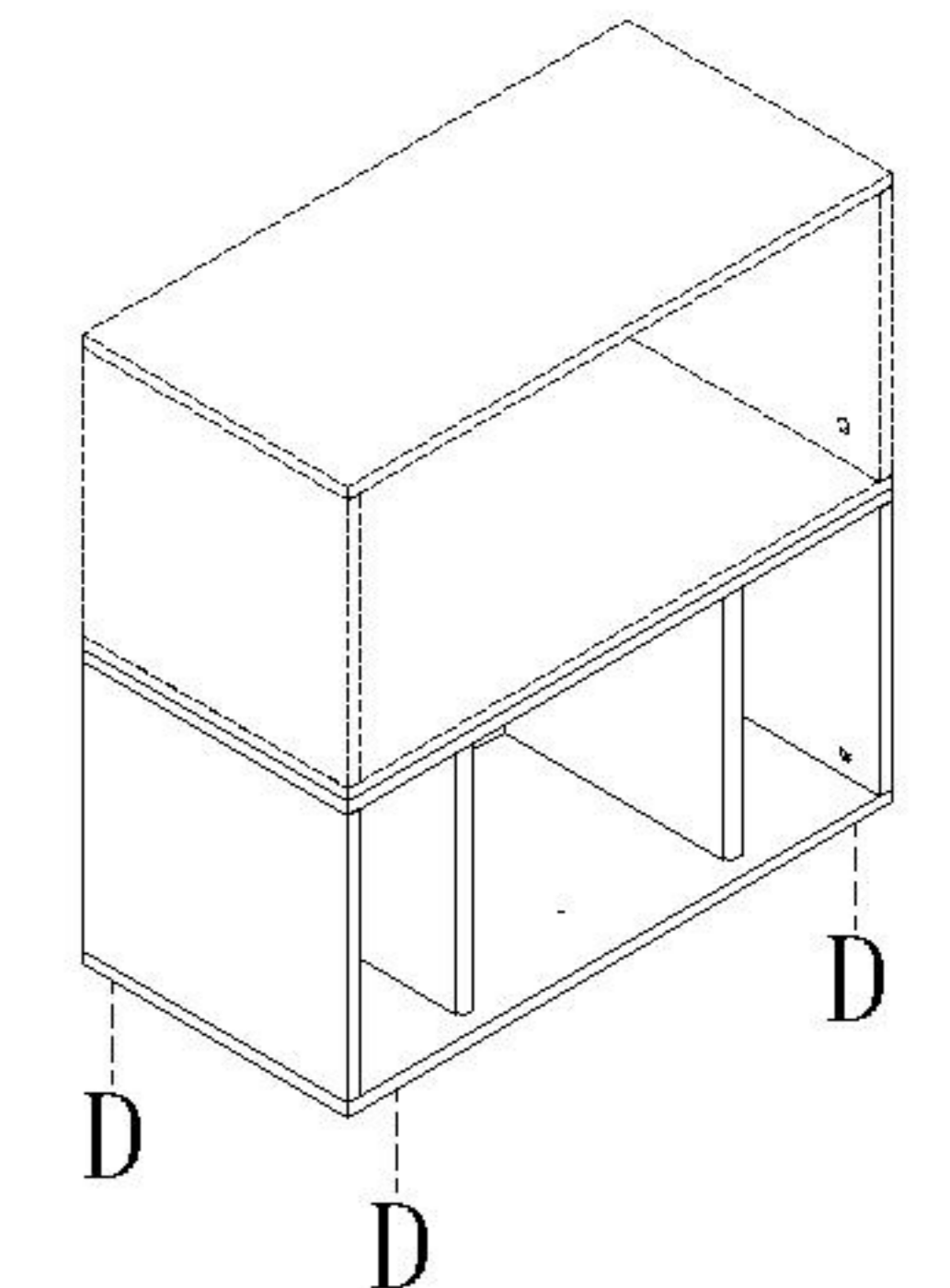


- (D) *4

根据自己的摆放方式安装五金(D)
Install hardware according to your own placement method (D)

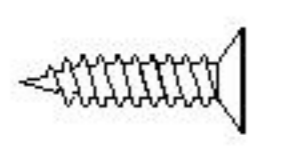
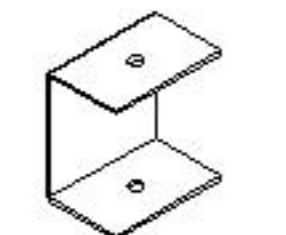


无接触地面不需安装五金(D)
No need to install hardware without touching the ground (D)

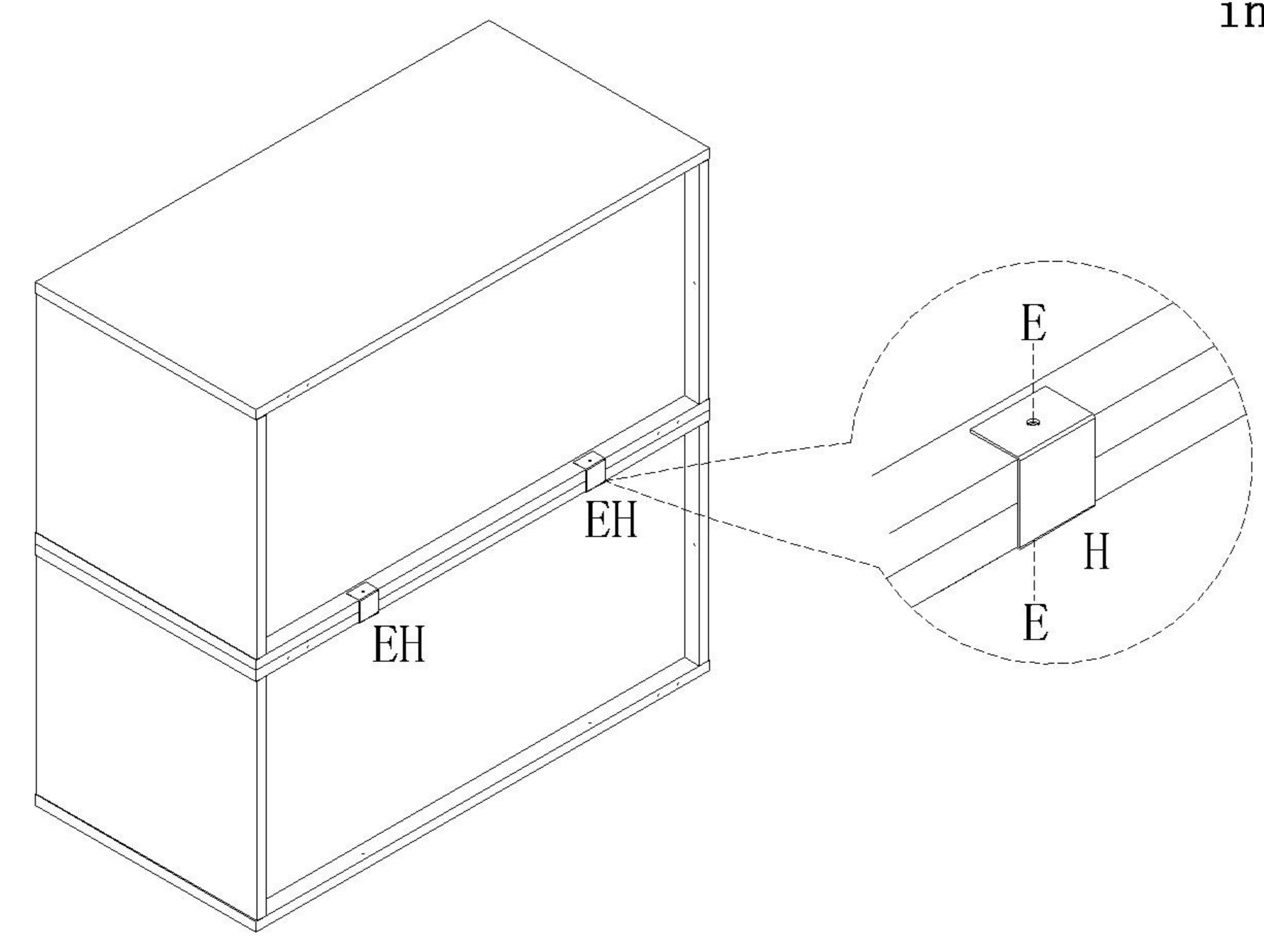


接触地面需安装五金(D)
Hardware installation required for contact with the ground (D)

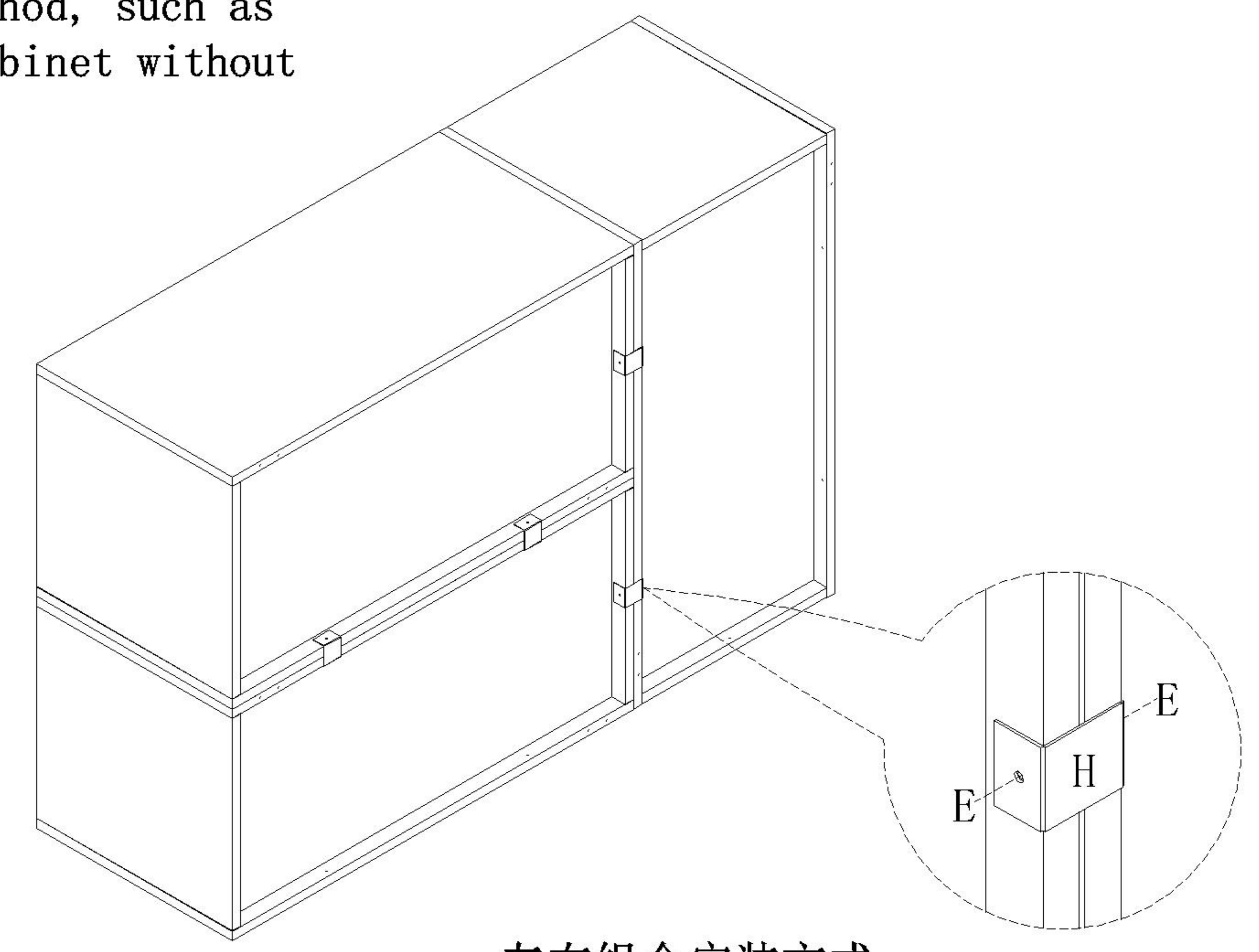
安装方法 Installation method

-  (E)*4
-  (H)*2

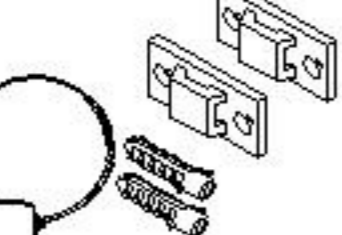
组合连接方式, 如只购买单个柜体无需安装
Combination connection method, such as purchasing only a single cabinet without installation



上下组合安装方式
Upper and lower combination installation method



左右组合安装方式
Left and right combination installation method

-  (I)*1

柜子组合高度超600MM需安装上防倒器
Cabinet combination height exceeding 600MM requires installation of an anti fall device

