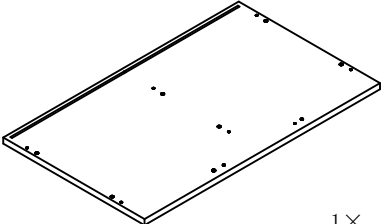
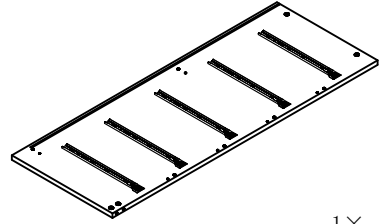
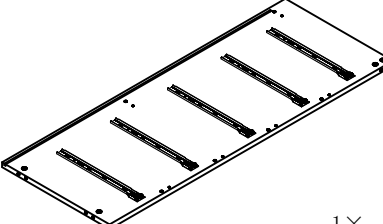
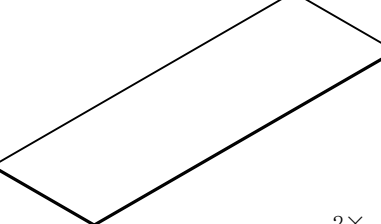
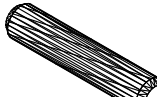

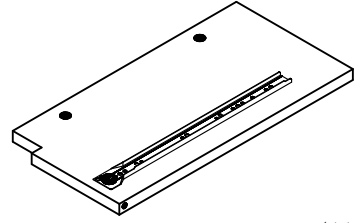
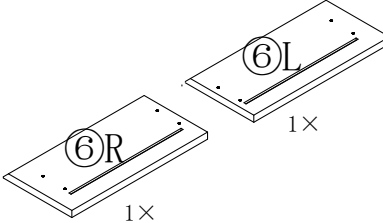
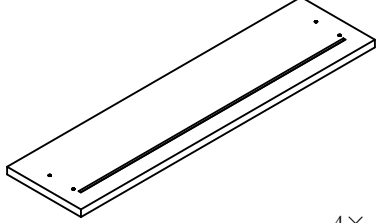
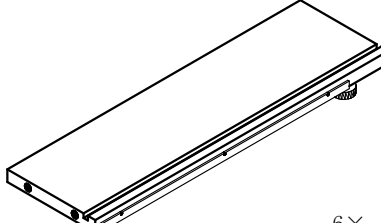
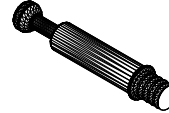

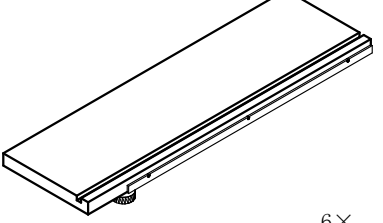
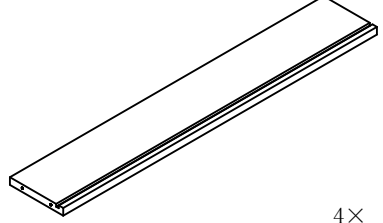
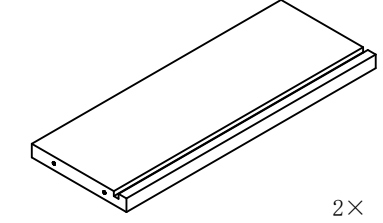
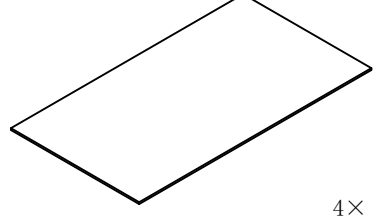

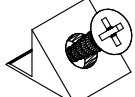
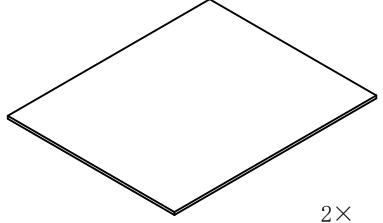
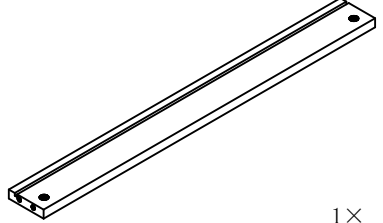
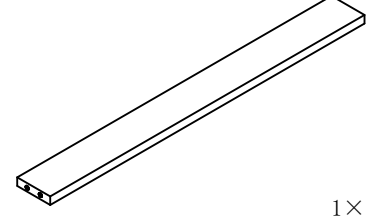
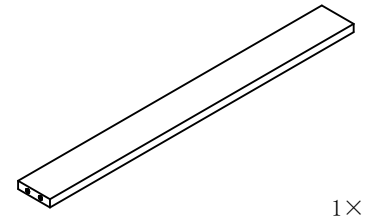


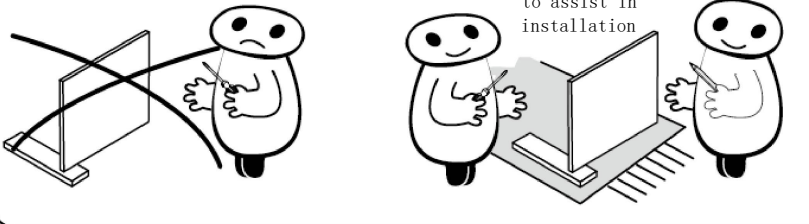
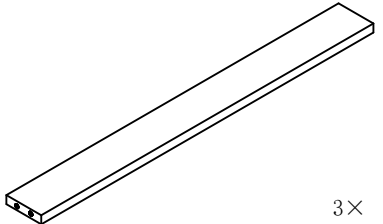
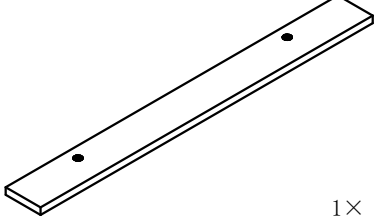
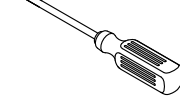
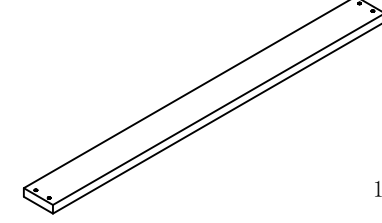
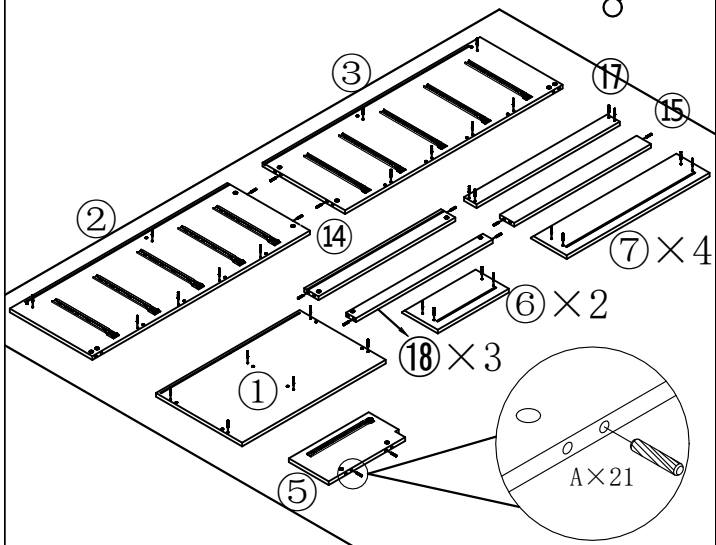


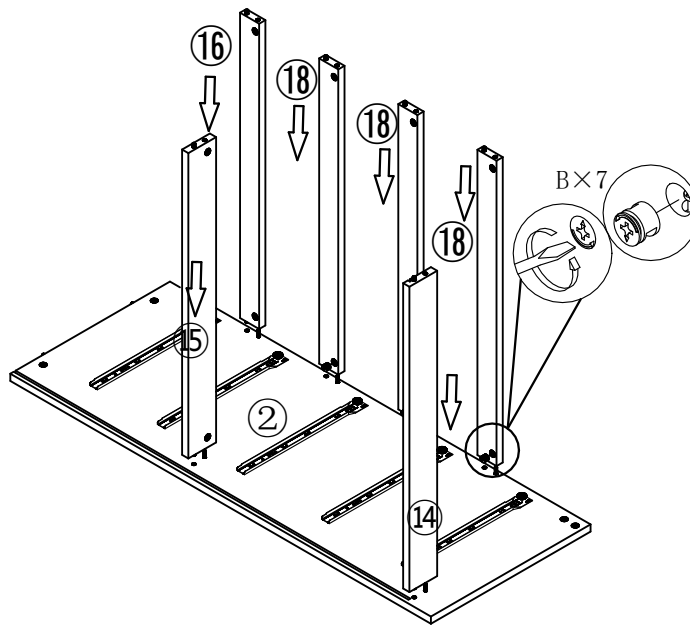
<p>① Top panel</p>  <p>1×</p>	<p>② Right side panel</p>  <p>1×</p>	<p>③ Left side panel</p>  <p>1×</p>	<p>④ Back panel</p>  <p>2×</p>	<p>A. Wood dowel pins</p>  <p>21×</p>	<p>B. Three-in-one lock</p>  <p>48+2×</p>
<p>⑤ Spacer panel</p>  <p>1×</p>	<p>⑥ Drawer door panel 1</p>  <p>1×</p>	<p>⑦ Drawer door panel 2</p>  <p>4×</p>	<p>⑧ Left side panel</p>  <p>6×</p>	<p>C. Three-in-one screw</p>  <p>48+1×</p>	<p>D. Sticker</p>  <p>48×</p>
<p>⑨ Right side panel</p>  <p>6×</p>	<p>⑩ Drawer back panel 2</p>  <p>4×</p>	<p>⑪ Drawer back panel 1</p>  <p>2×</p>	<p>⑫ Drawer bottom panel 2</p>  <p>4×</p>	<p>E. Quick tooth self tapping screw</p>  <p>24+1×</p>	<p>F. Back panel support</p>  <p>10×</p>
<p>⑬ Drawer bottom panel 2</p>  <p>2×</p>	<p>⑭ Bottom support slat</p>  <p>1×</p>	<p>⑮ Back support slat</p>  <p>1×</p>	<p>⑯ Front support slat1</p>  <p>1×</p>	<p>G. Back panel clipping strip</p>  <p>1×</p>	<p>H. Anti collapse hardware accessories bag</p>  <p>2×</p>
 <p>Two people are required to assist in installation</p>		<p>⑰ Front support slat2</p>  <p>3×</p>	<p>⑱ Front support slat3</p>  <p>1×</p>	<p>I. Dual purpose screw driver</p>  <p>1×</p>	<p>⑲ Support slat</p>  <p>1×</p>
				<p>Model number :</p>	<p>GF584-0812</p>
				<p>Product size :</p>	<p>800W*480D*1230H</p>

### Step 1

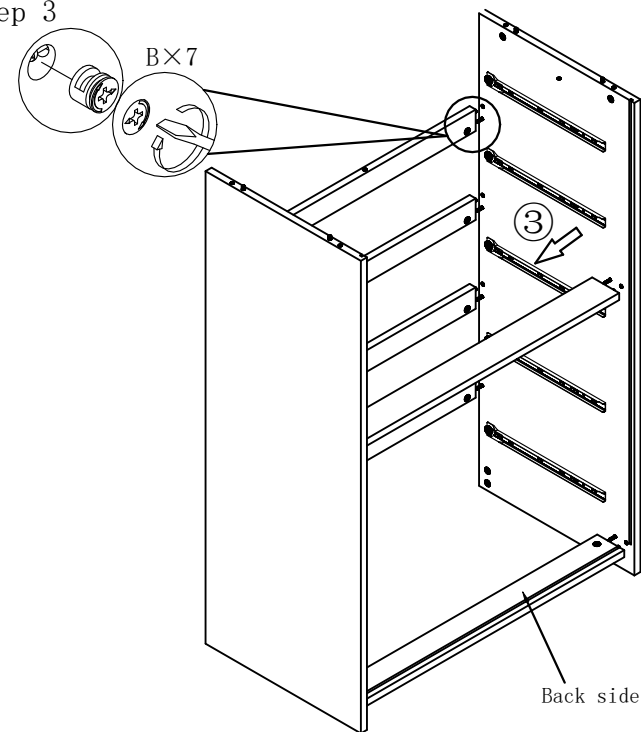
Attention: Before install, need place a blanket on the ground or also can use packing carton paper put on the ground then install on blanket/packing carton paper to avoid scratching product accessories



### Step 2

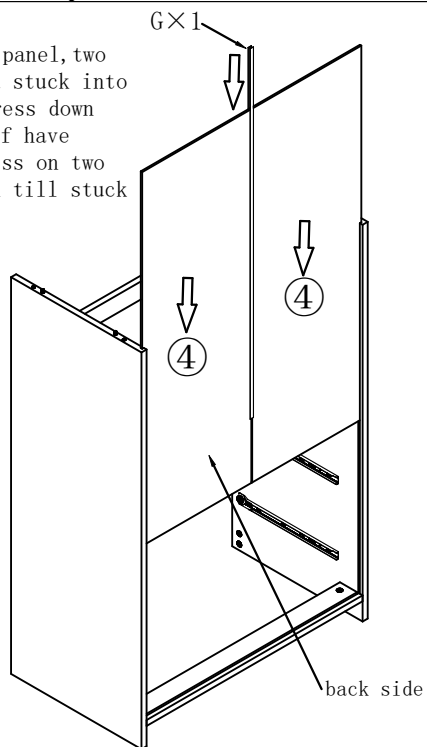


### Step 3

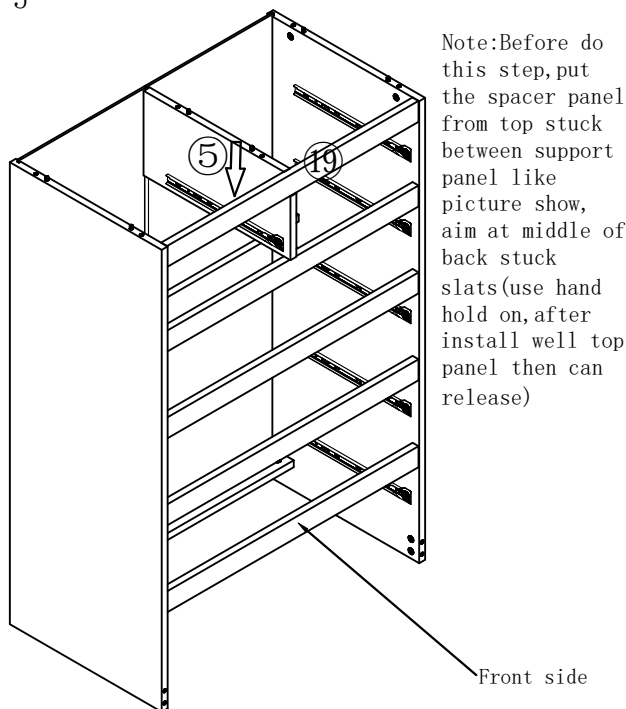


### Step 4

Note: when install back panel, two side of back panel need stuck into back panel slot, then press down slowly along the slot, if have deviation, use hand press on two side deviation position till stuck into bottom panel slot

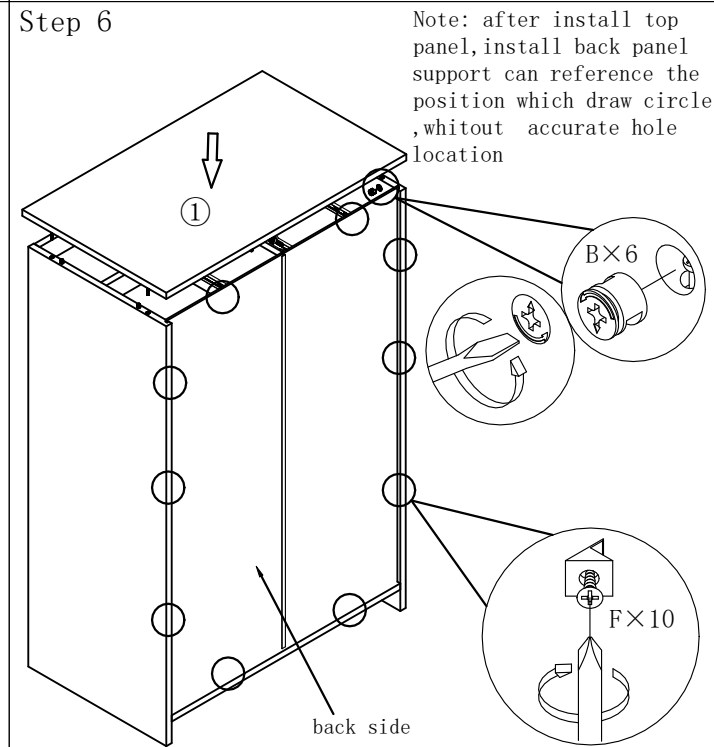


### Step 5

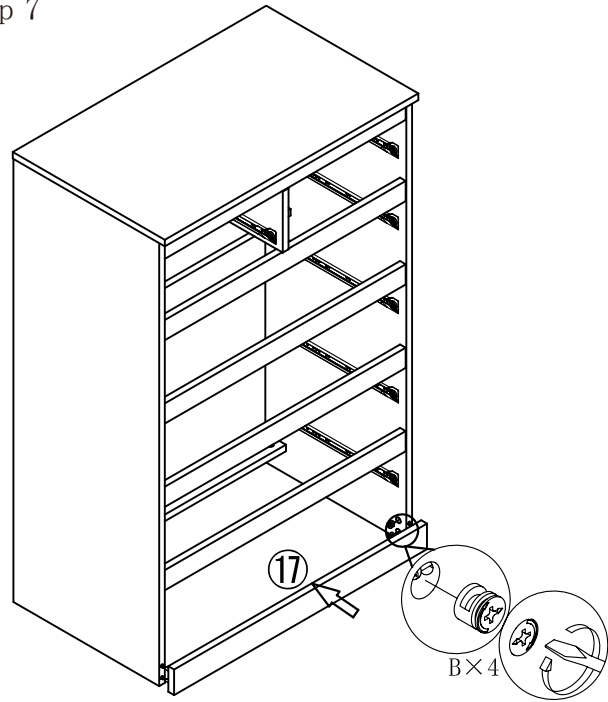


Note: Before do this step, put the spacer panel from top stuck between support panel like picture show, aim at middle of back stuck slats (use hand hold on, after install well top panel then can release)

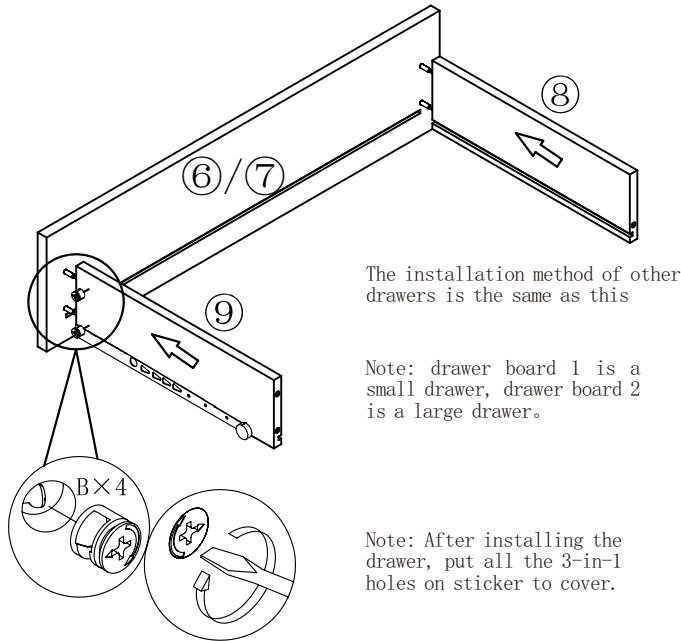
### Step 6



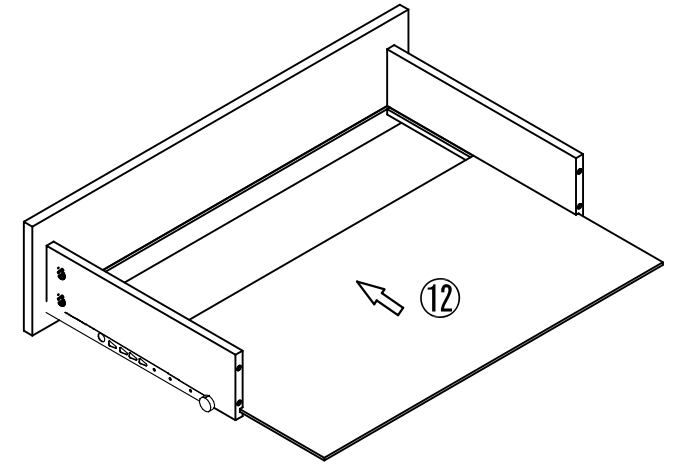
Step 7



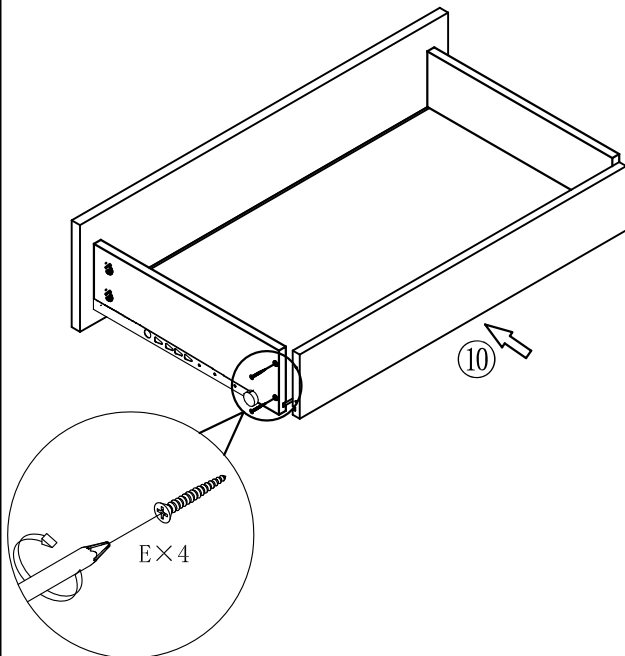
Step 8



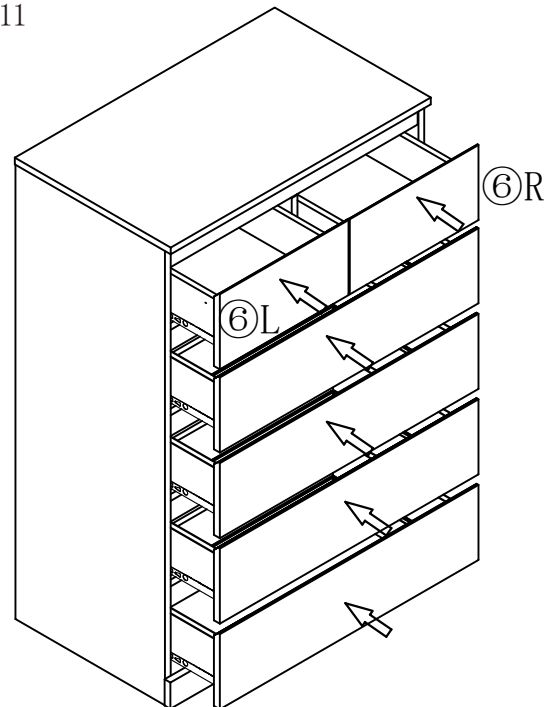
Step 9



Step 10

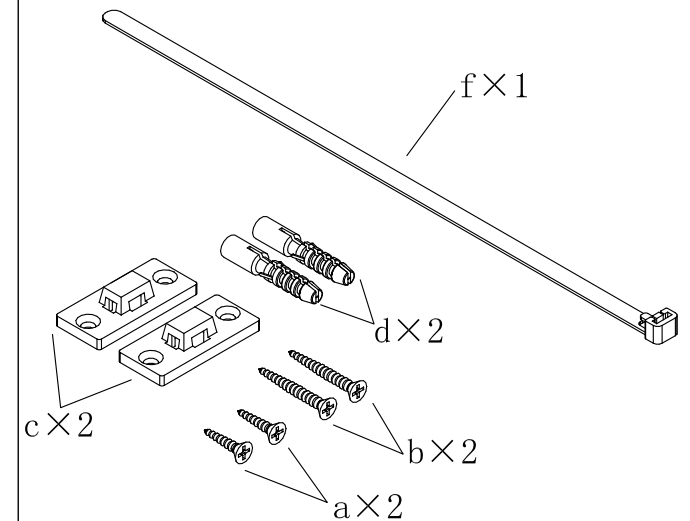


Step 11

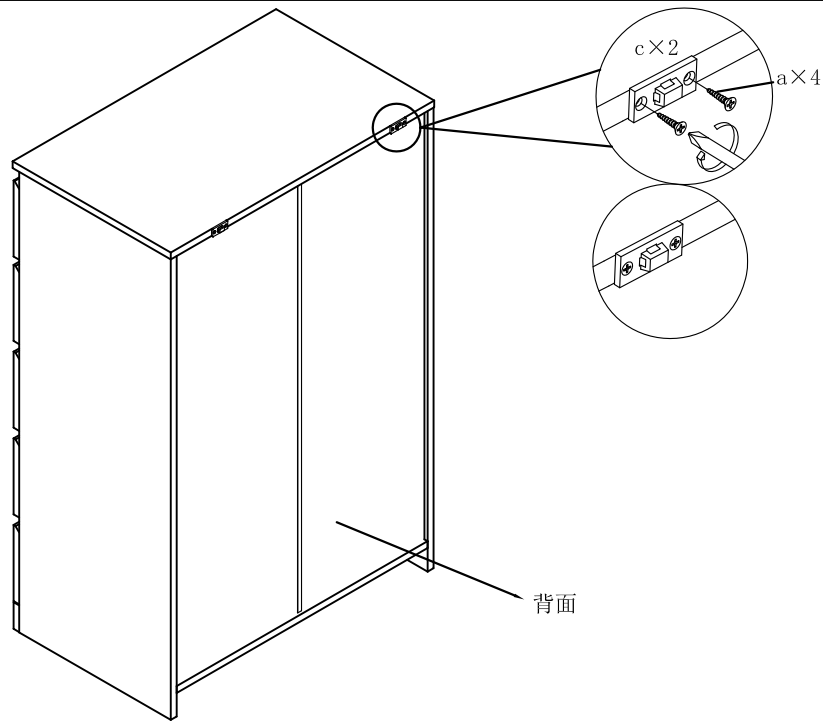


Step 12

Open K (anti-pour hardware package) 2X  
(the following is the number of single package)



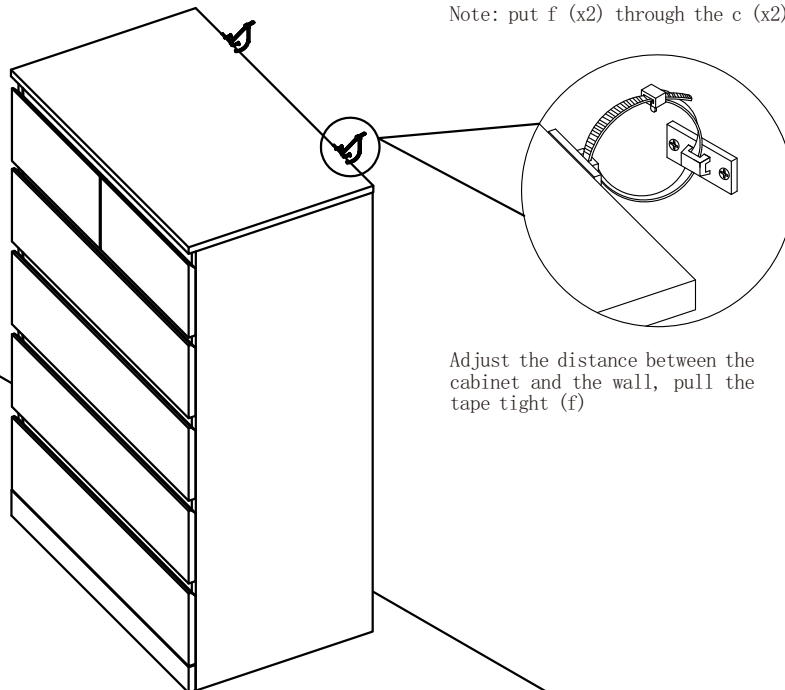
Step 13



Step 14

Note: According to the installation in the top plate C corresponding to the location of the hole in the wall, and tap into dx4, and then screw into bx4.

Step 15



Step 16

