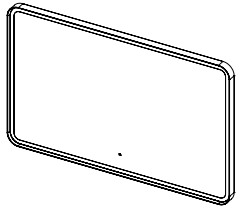
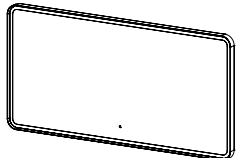


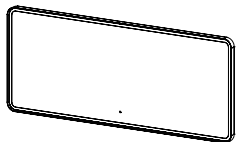
MI-MFS900B



MI-MFS1200B



MI-MFS1500B



MI-MFS1800B

Thank you for choosing this Led light mirror. To ensure proper operation and to maintain the lifespan of this, **Please read this manual carefully before use and keep them handy for future reference. Installation should be carried out by a qualified electrician.**

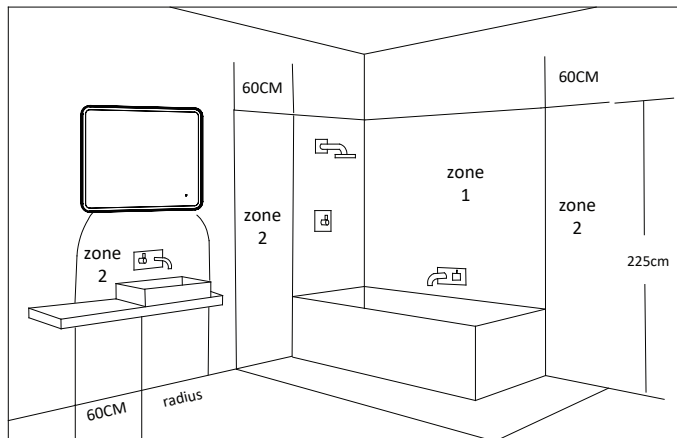
Products Size Specifications

Type	Size (mm)	Remark
MI-MFS900B	W900XH750mm Or W750xH900mm	This one can be installed horizontally or vertically.
MI-MFS1200B	W1200xH750mm	
MI-MFS1500B	W1500xH750mm	
MI-MFS1800B	W1800xH750mm	

General Instructions

- This product confirms to AS/NZS safety standards and must be installed in accordance with current IEE wiring regulations and building regulations (Part P).
- This Product must be earthed, and should not be connected to an unearthed circuit.
- If there are only two wires coming your power supply , it means this fitting can be wired to an unearthed circuit.
- Ensure that connections are turned off at the consumer unit or fuse board before installing or carrying out any maintenance.
- This product is for indoor use only.
- This product is IP44 Rated and can be installed in bathroom Zone2(as defined by the IEE wiring regulations) and beyond. Please see bathroom diagram below.

IEE Bathroom Zones Diagram



Important Notes

- The product is fragile. Be careful during unpacking and installation;
- The product should be cleaned by standard detergents and soft cotton cloth. It is recommended that the product is cleaned with a soft, dry, non abrasive cloth.
- Luminaires should be installed so that any exposed metal work is not in electrical contact with any part of the electrical installation connected to a protective conductor;
- If the external flexible cable or cord of this luminaire is damaged, it shall be exclusively replaced by the manufacturer or his service agent or a similar qualified person in order to avoid a hazard;
- When working at heights, please use a suitable platform to work from.
- For new installations, check for any electrical cables or pipe work (gas/water) in the vicinity of the intended mounting point before proceeding with the installation.
- Ensure that the fixing location is able to take the weight of the complete fitting.
- Wear suitable eye protection when drilling. Be careful when using power tools near water.
- Do NOT strike mirror glass with hard or pointed items.
- Do NOT use cleaning unstandard agents or abrasive materials on any type of finished surface.
- Do NOT allow moisture to come into contact with the electrical components.

Wiring

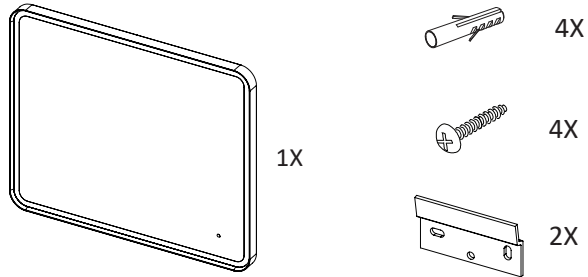
This product is manufactured to class I category and requires an earth connection

COLOUR CODING:

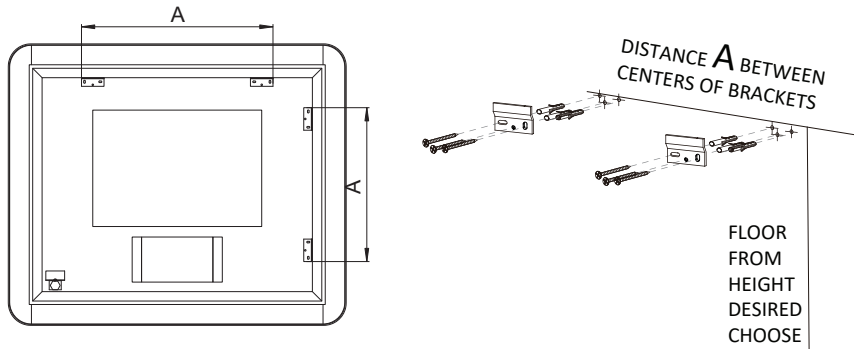
- L - Live = Brown
- Neutral = Blue
- ⊕ - Earth = Green & Yellow

Installation Procedure

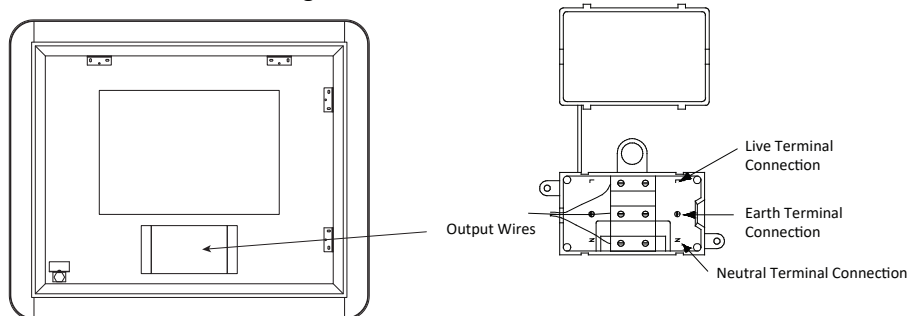
1. Open the carton and make sure all the parts listed below are present



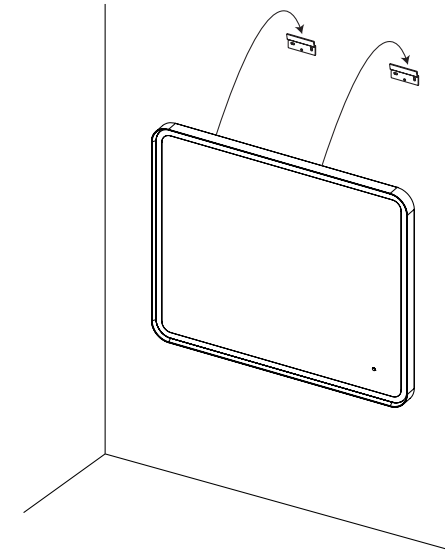
2. Mark a desired height of the mirror. Drill the required holes and insert the wall plugs.
Note: Wall plugs supplied are only suitable for solid stone/brick walls. Please ensure the screws are fully tight. The mirror can be mounted either portrait or landscape.



3. Make the electrical connections ensuring first that the electrical supply has been turned off. This mirror is a class 1 product and requires an earth connection. It should be installed in accordance with the latest IEE regulations.



4. Hang the mirror onto the wall.



5. Press the icon ● to control on/off the lighting and heating pad.

