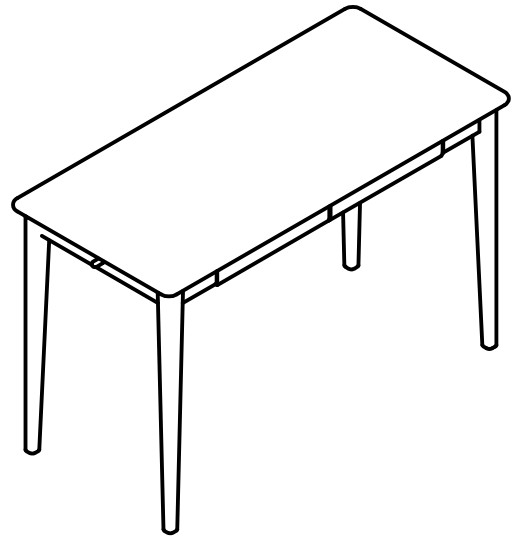
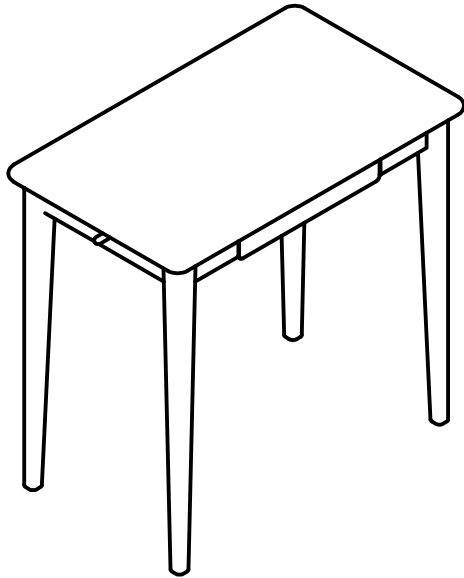


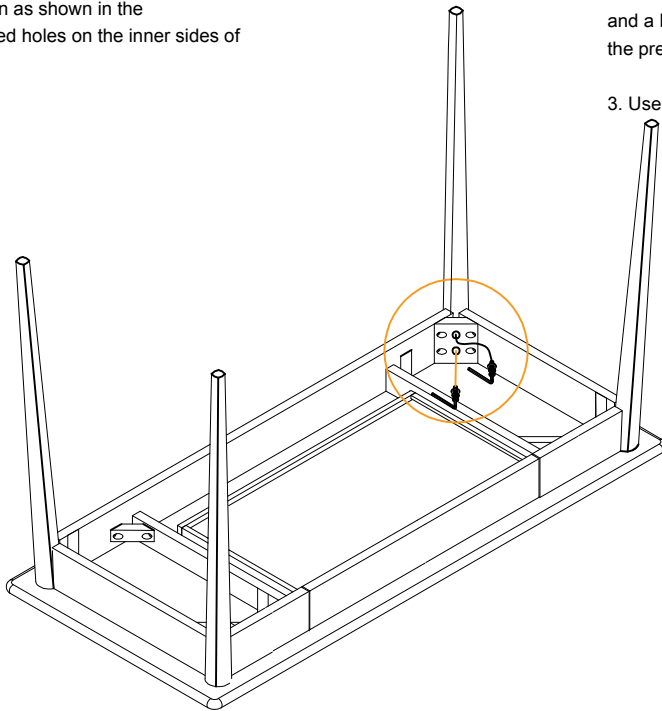
# Assembly Instruction

## Solidwood Luxembourg Office Desk

Assembly Diagram:

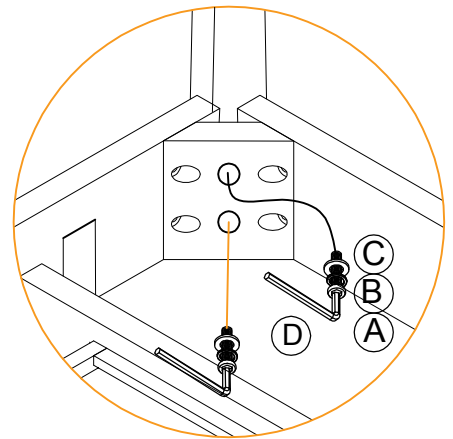


1. Turn the desk upside down as shown in the diagram. Locate the pre-drilled holes on the inner sides of the desk frame.

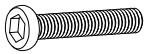


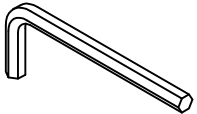


2. Take one Hex Socket Screw (A) and thread it through a Spring Washer (B) and a Flat Washer (C) as illustrated. Insert the assembled screw into one of the pre-drilled holes.

3. Use the Allen Key (D) to tighten the screw until secure.



Hardware List:

<p>(A)</p> 	<p>(B)</p> 	<p>(C)</p> 	<p>(D)</p> 
<p>Hex Socket Screw=8</p>	<p>Spring Washer=8</p>	<p>Flat Washer=8</p>	<p>Allen Key=1</p>