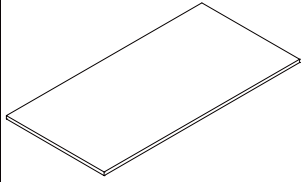
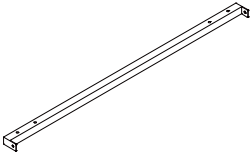


① Table top



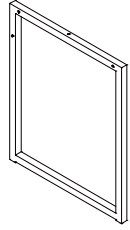
1 ×

② Crossbeam 1



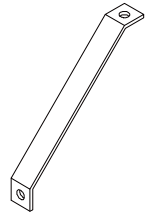
1 ×

③ Steel leg 1



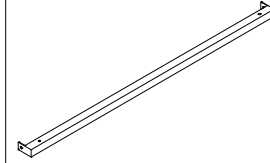
1 ×

④ Connecting rod



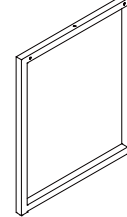
2 ×

⑤ Crossbeam 2



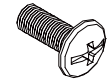
1 ×

⑥ Steel leg 2



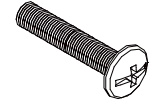
1 ×

E. Self-tapping screw



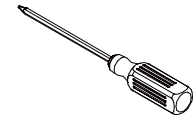
8 ×

F. Long self-tapping screw



6 ×

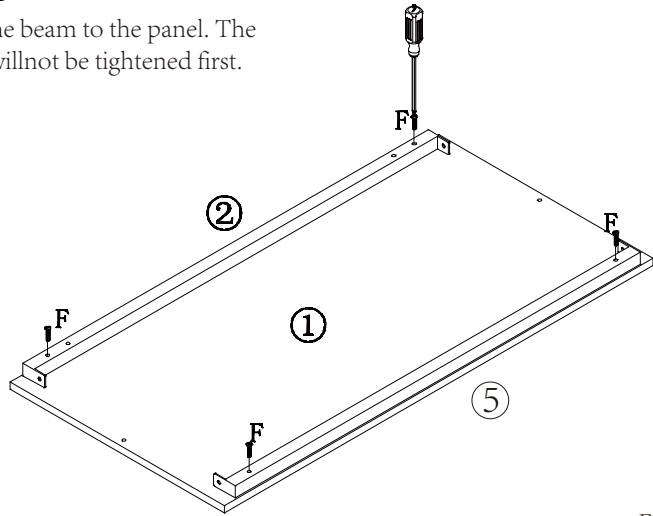
I. Screwdriver



1 ×

STEP 1

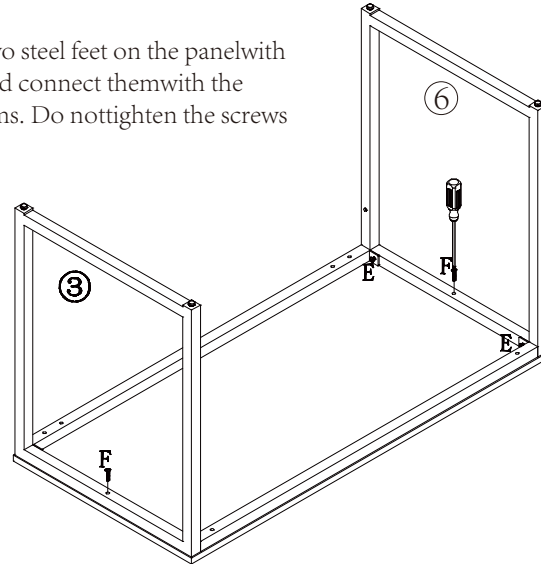
Screw the beam to the panel. The screws will not be tightened first.



F × 4

STEP 2

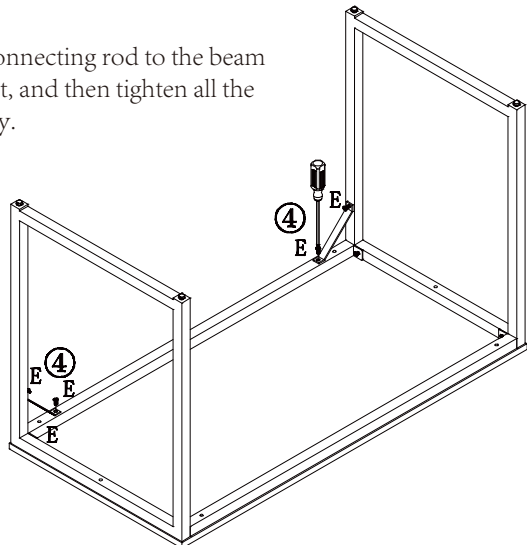
Fix the two steel feet on the panel with screws and connect them with the crossbeams. Do not tighten the screws first.



F × 2
E × 4

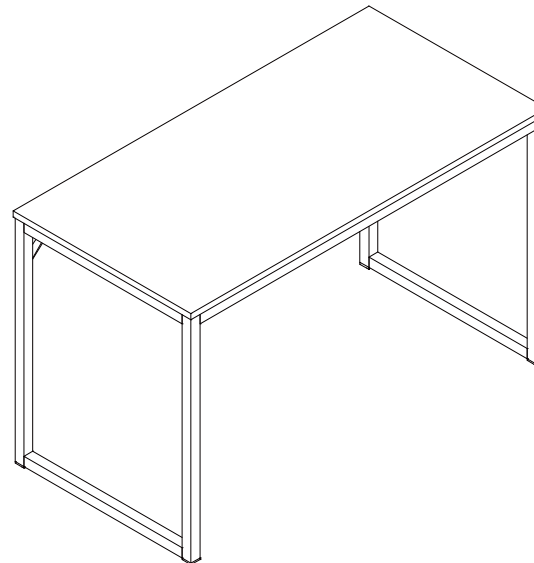
STEP 3

Screw the connecting rod to the beam and steel feet, and then tighten all the screws firmly.



E × 4

STEP 4



GF156-1005

1000*500* 740H

Note: Please install a blanket or this packing carton on the ground during installation, and then install it on blanket to avoid scratching the product parts!