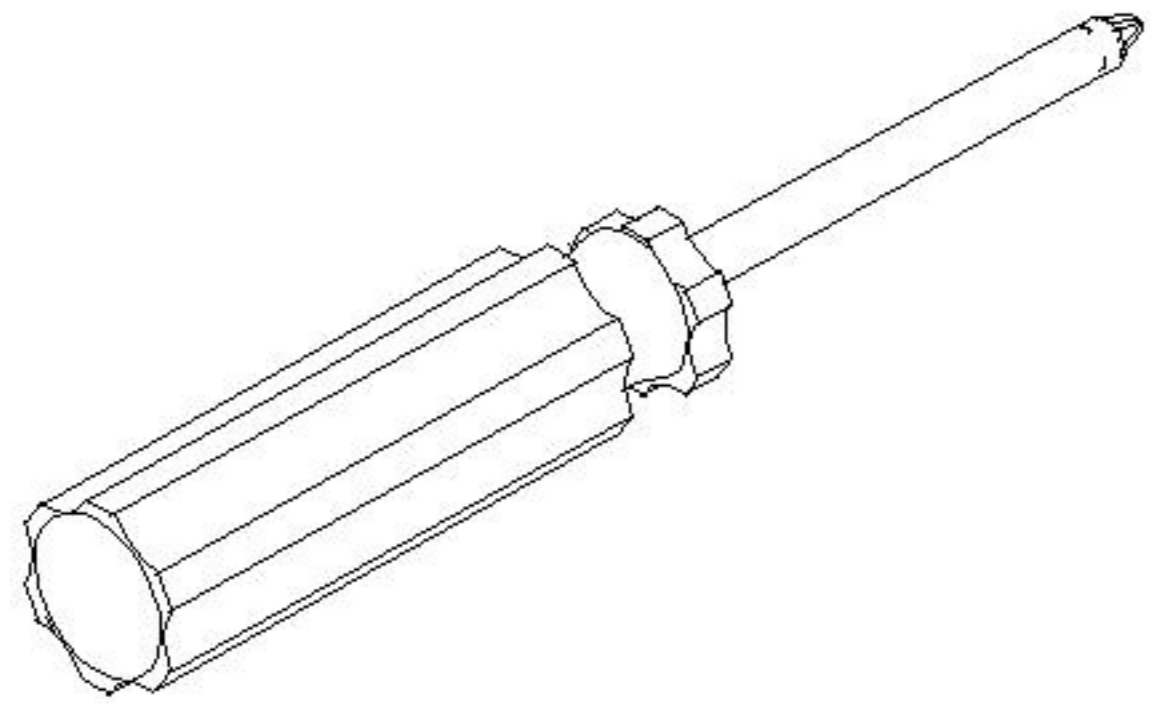
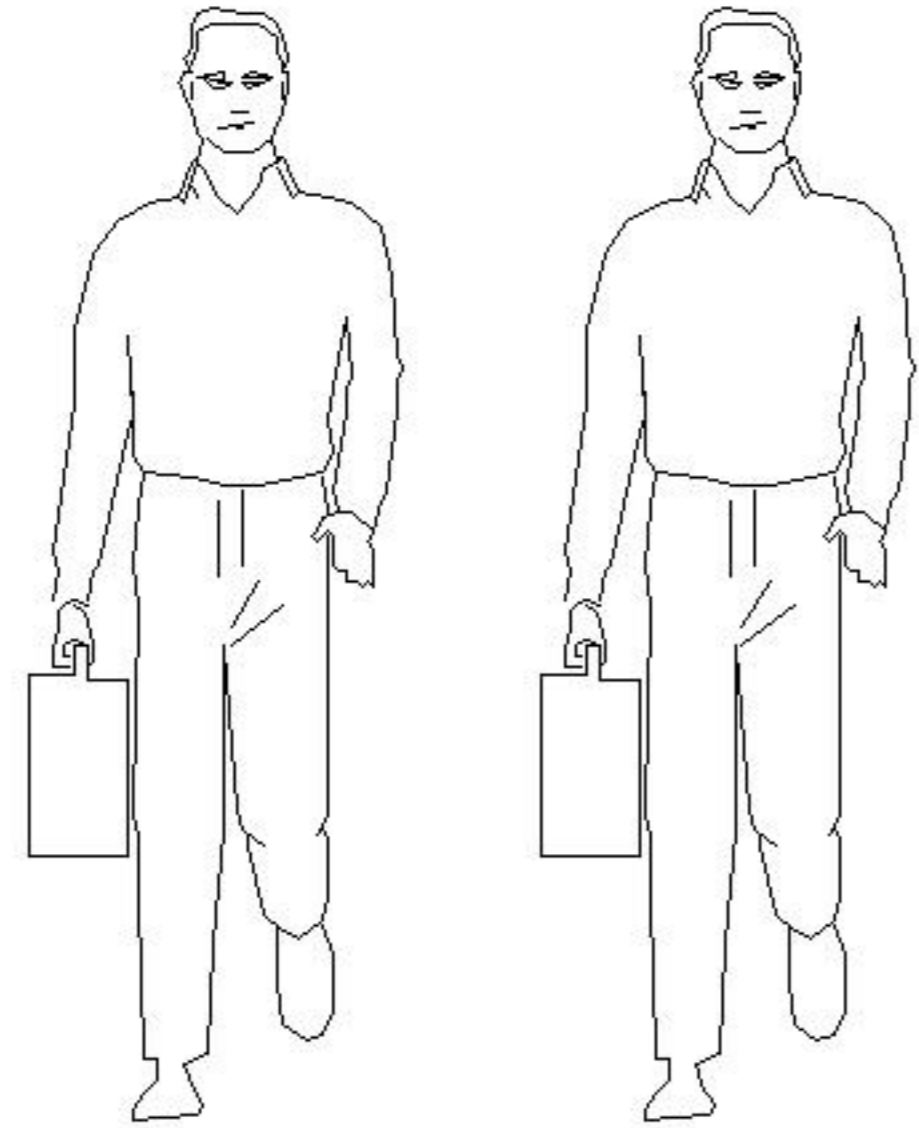
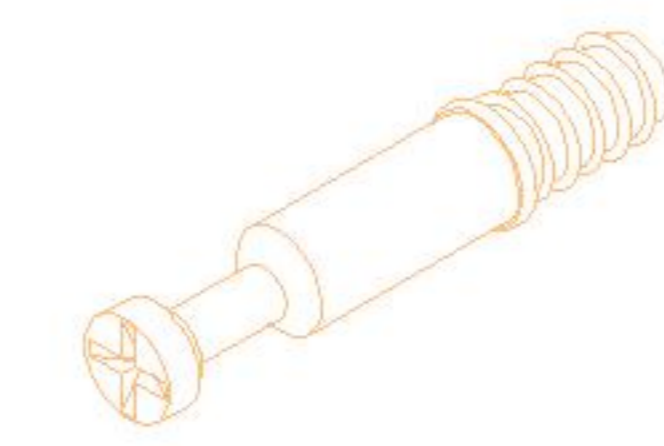
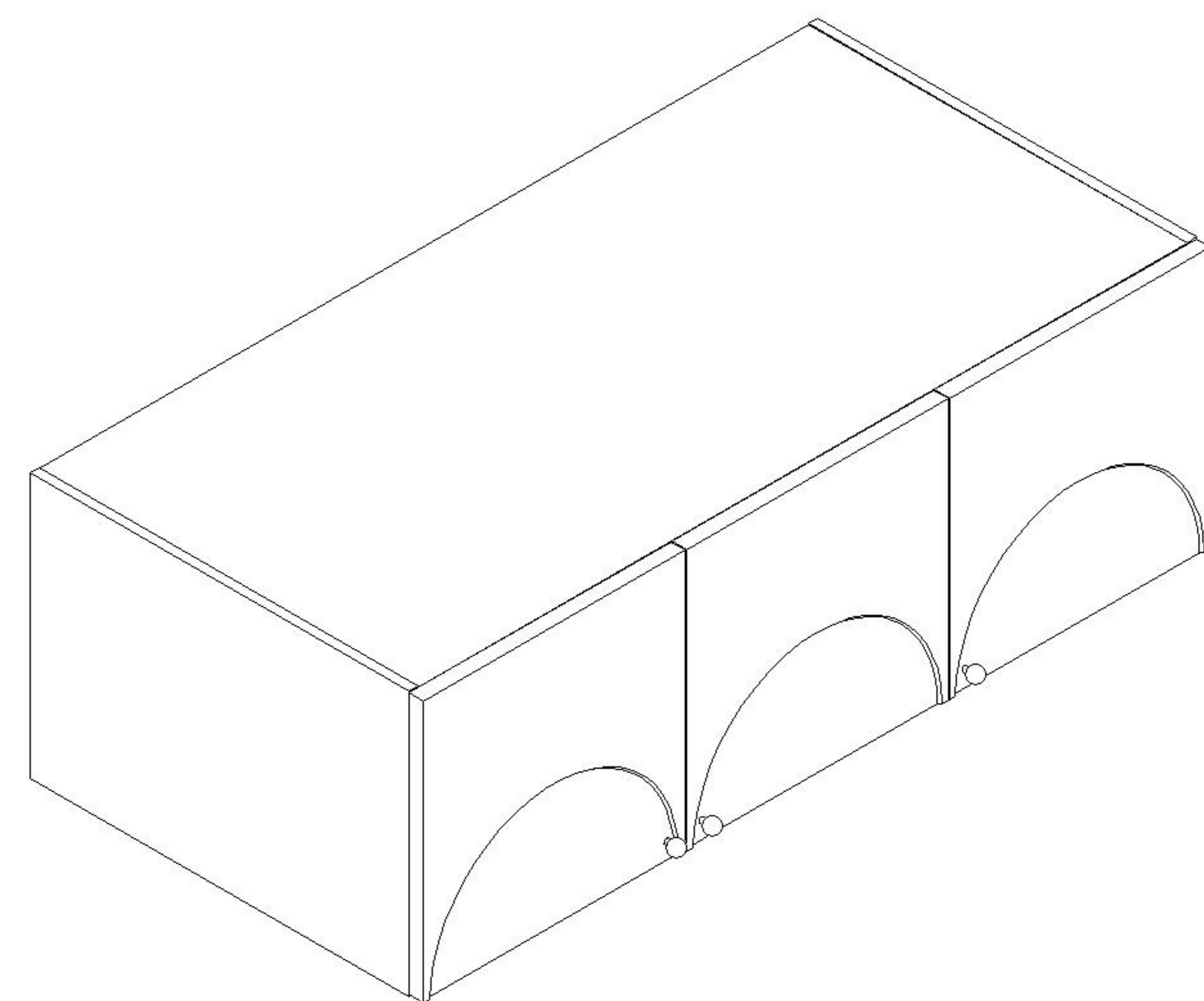


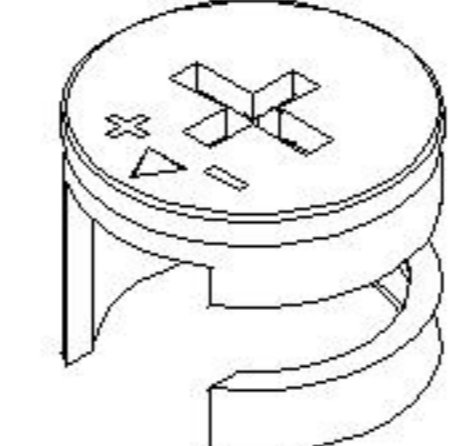
安装示意图/Assembly Instruction

产品名称 Model NO.	TE13D-A
产品规格 Specification	1194*620.5*400mm
安装工具 Tool	安装人数 Installer
	



(A)* 13

二合一螺杆
2-in-1-screw



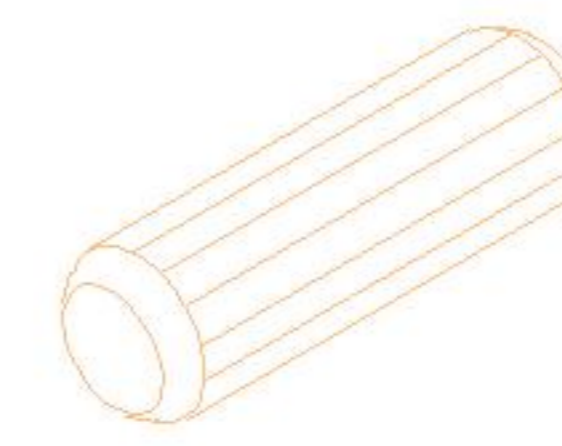
(B)* 13

大三合一锁饼
Three-in-one large lock



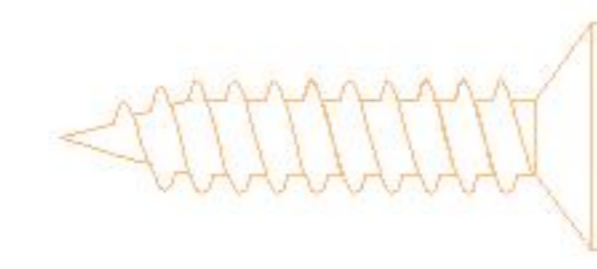
(C)* 6

背板扣
Back Plate Buckle-White



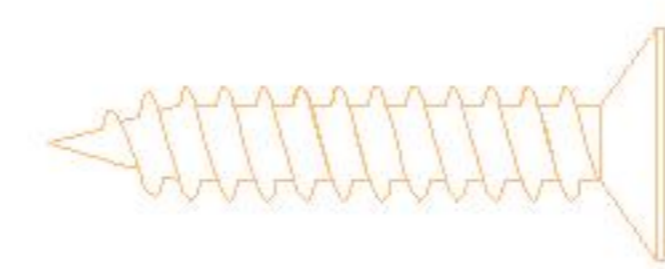
(D)* 13

木榫Ø8x30mm
wood tenon



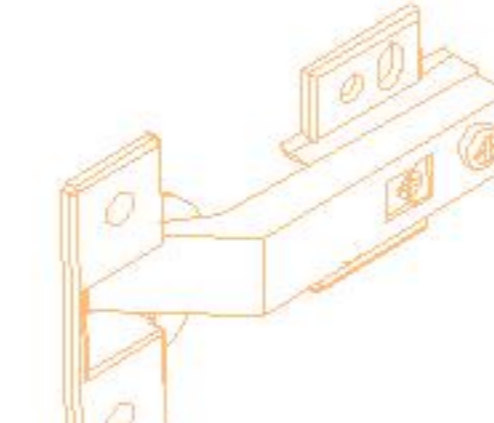
(E)* 6

自攻螺丝M3.5x16mm
Self-tapping screw



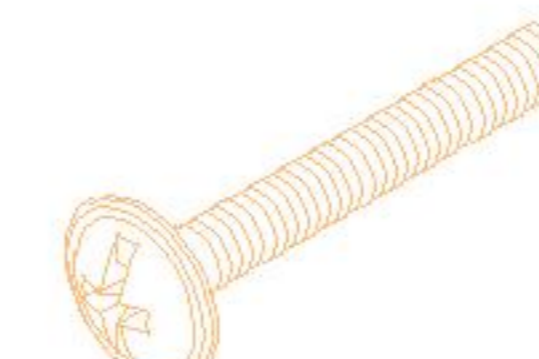
(F)* 4

自攻螺丝M4x25mm
Self-tapping screw



(G)* 6

缓冲门铰直弯-杯径Ø35
Hinge-straight bending-diameter 35



(H)* 3

拉手螺丝-M1x22mm
pulling screw



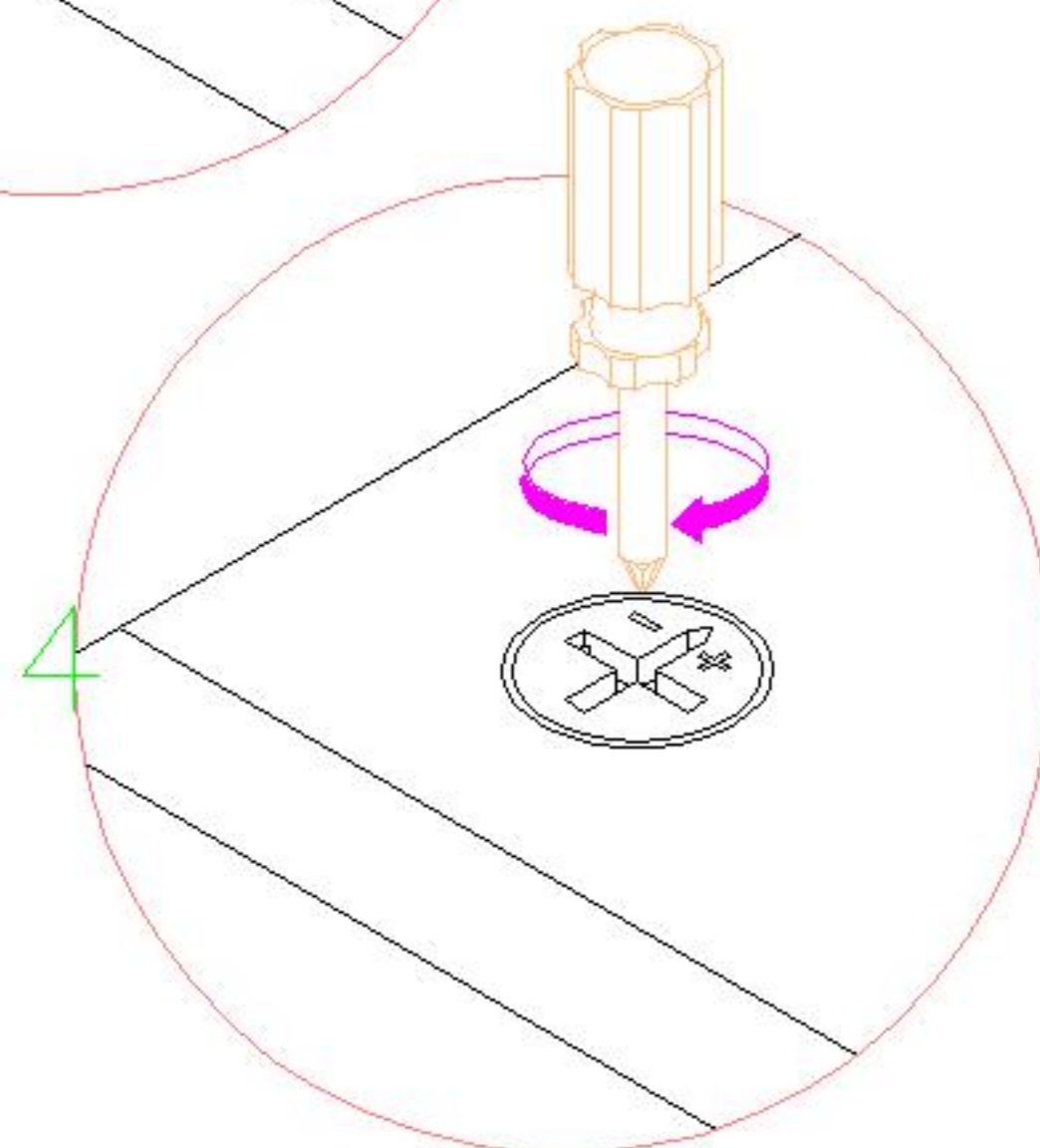
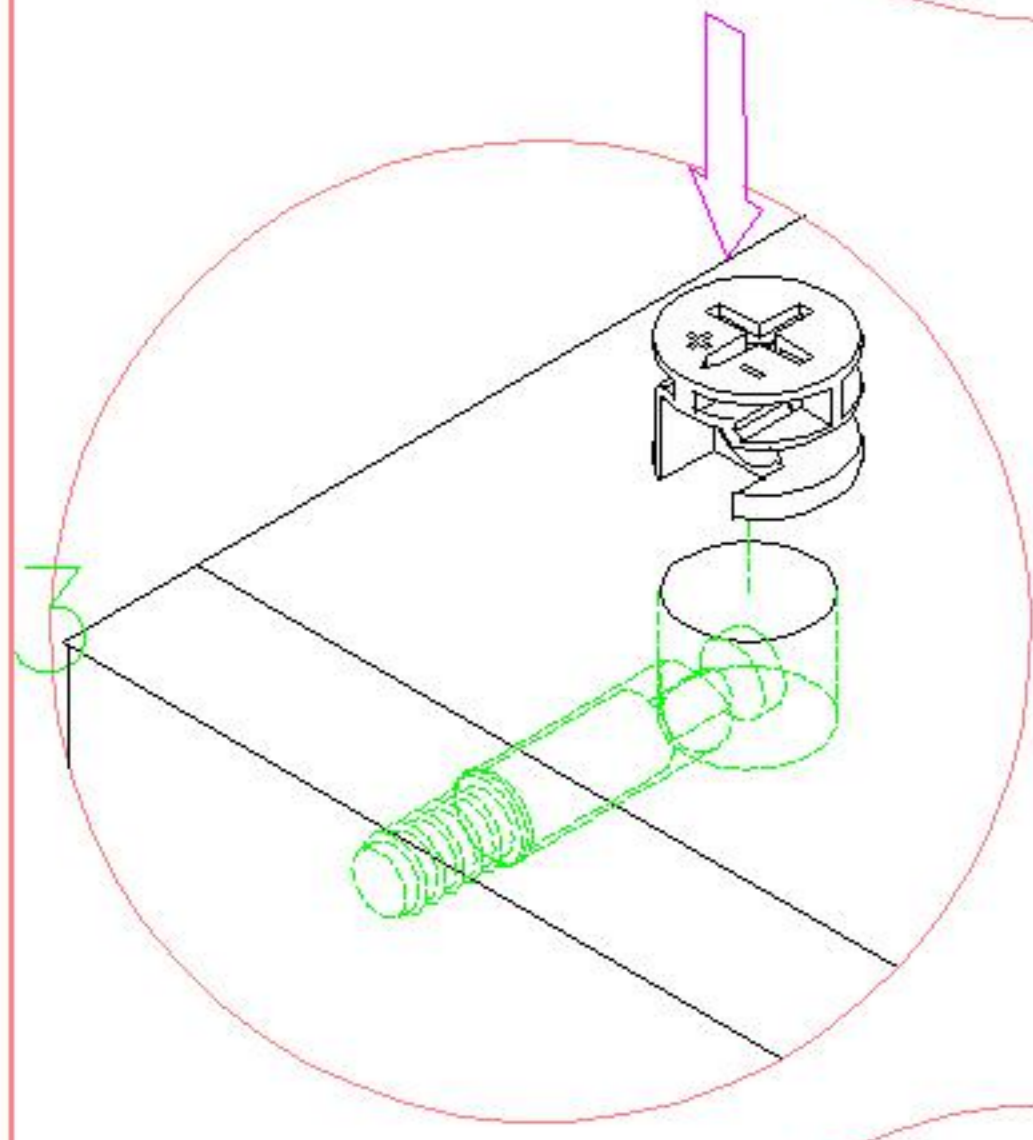
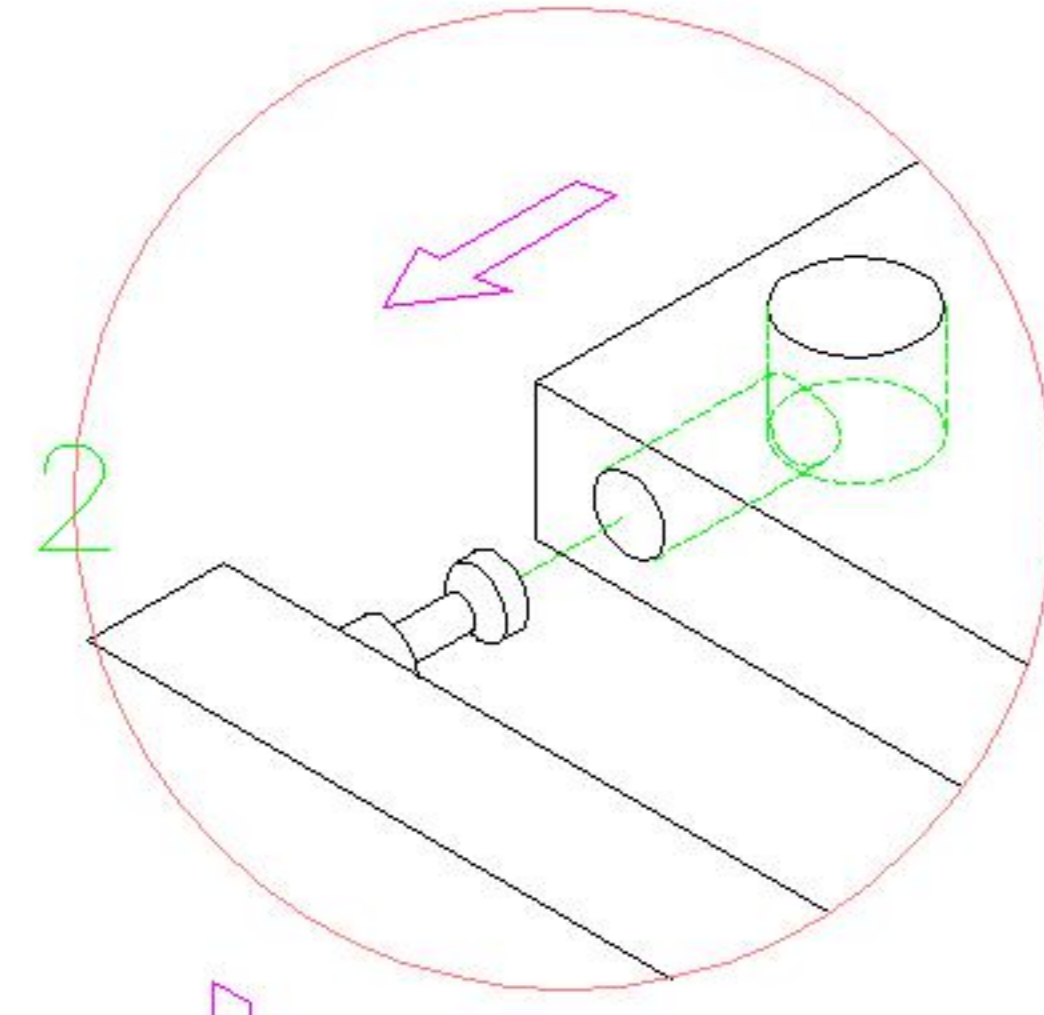
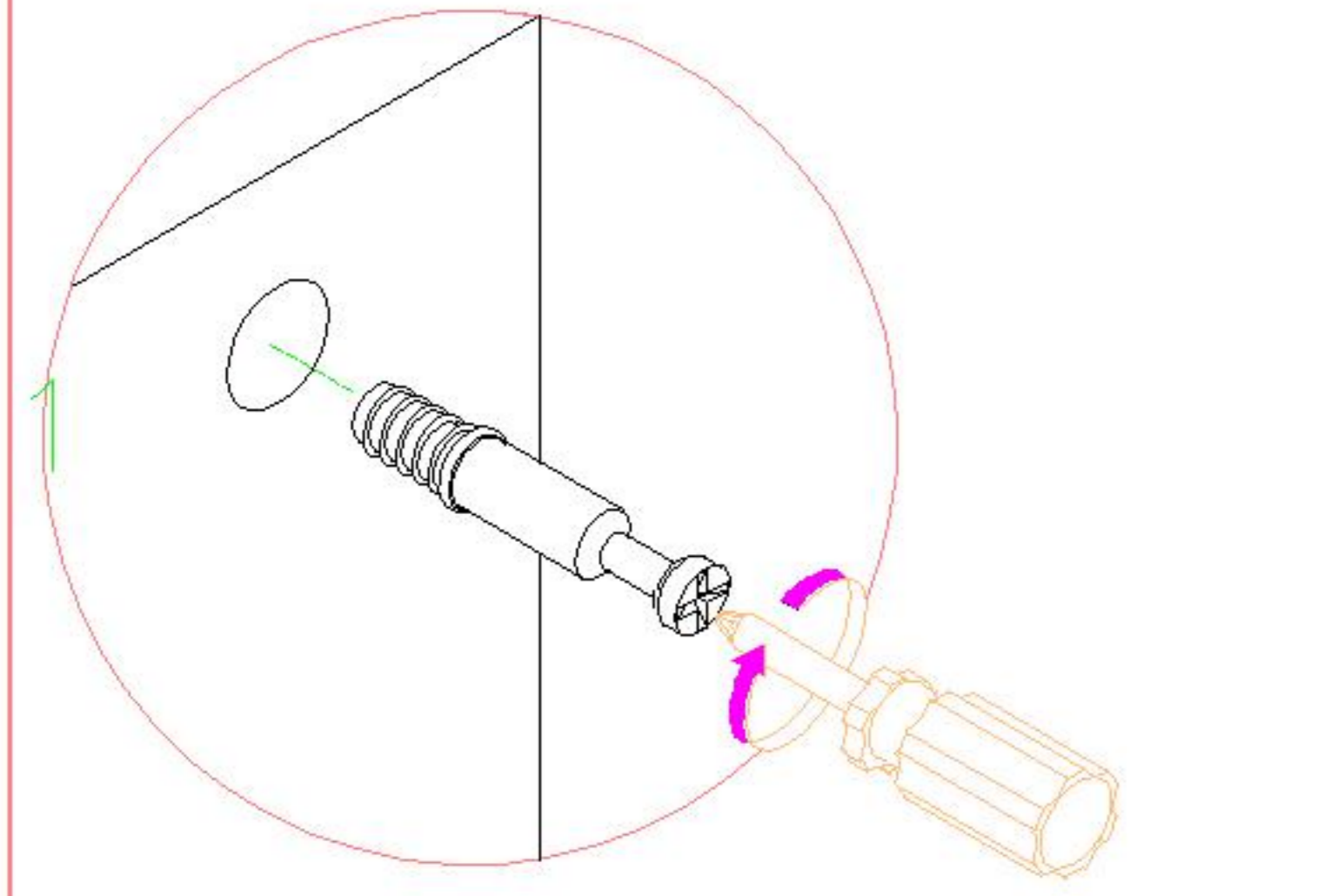
(I)* 3

拉手
Handle


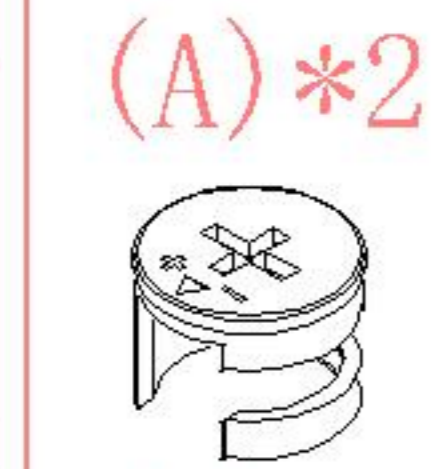
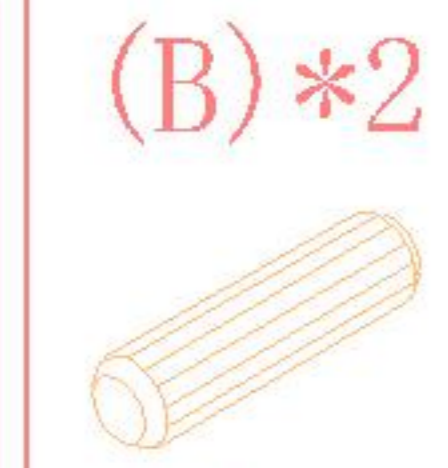
编号NO.	名称Name	规格 (mm) Specification	数量QTY	材质Material
①	面板Top panel	1164*574*15	1	人造板 WBP
②	底板Bottom board	1164*574*15	1	人造板 WBP
③	侧板Side board	400*574*15	2	人造板 WBP
④	中侧板Middle side board	368*554*15	1	人造板 WBP
⑤	背板Back board	1174*378*5	1	人造板 WBP
⑥	左门板Door board	396*396*22	1	吸塑板 Blister board
⑦	右门板Door board	396*396*22	2	吸塑板 Blister board

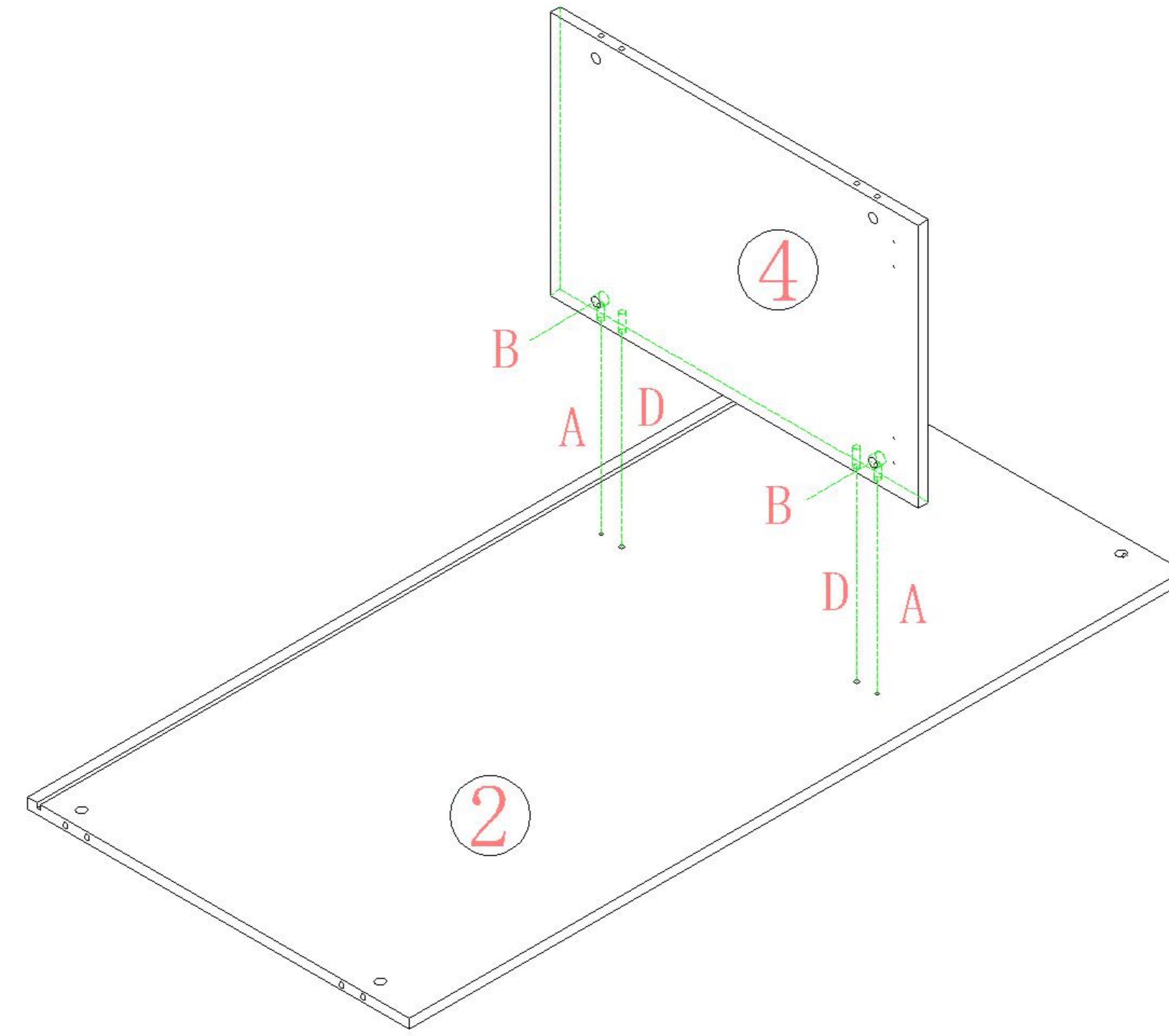
TE13D-A

安装方法/
Installation method


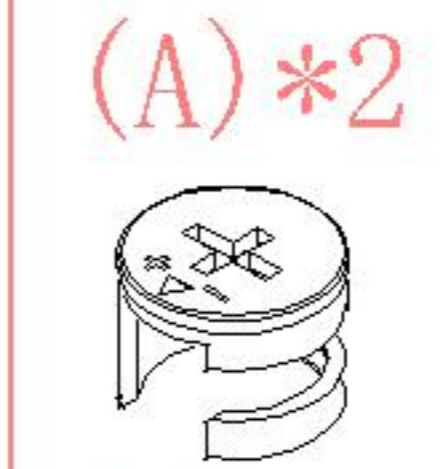
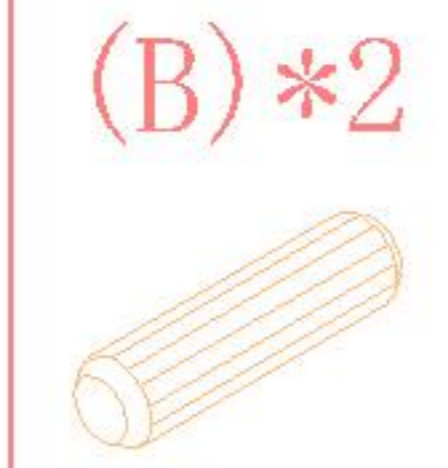


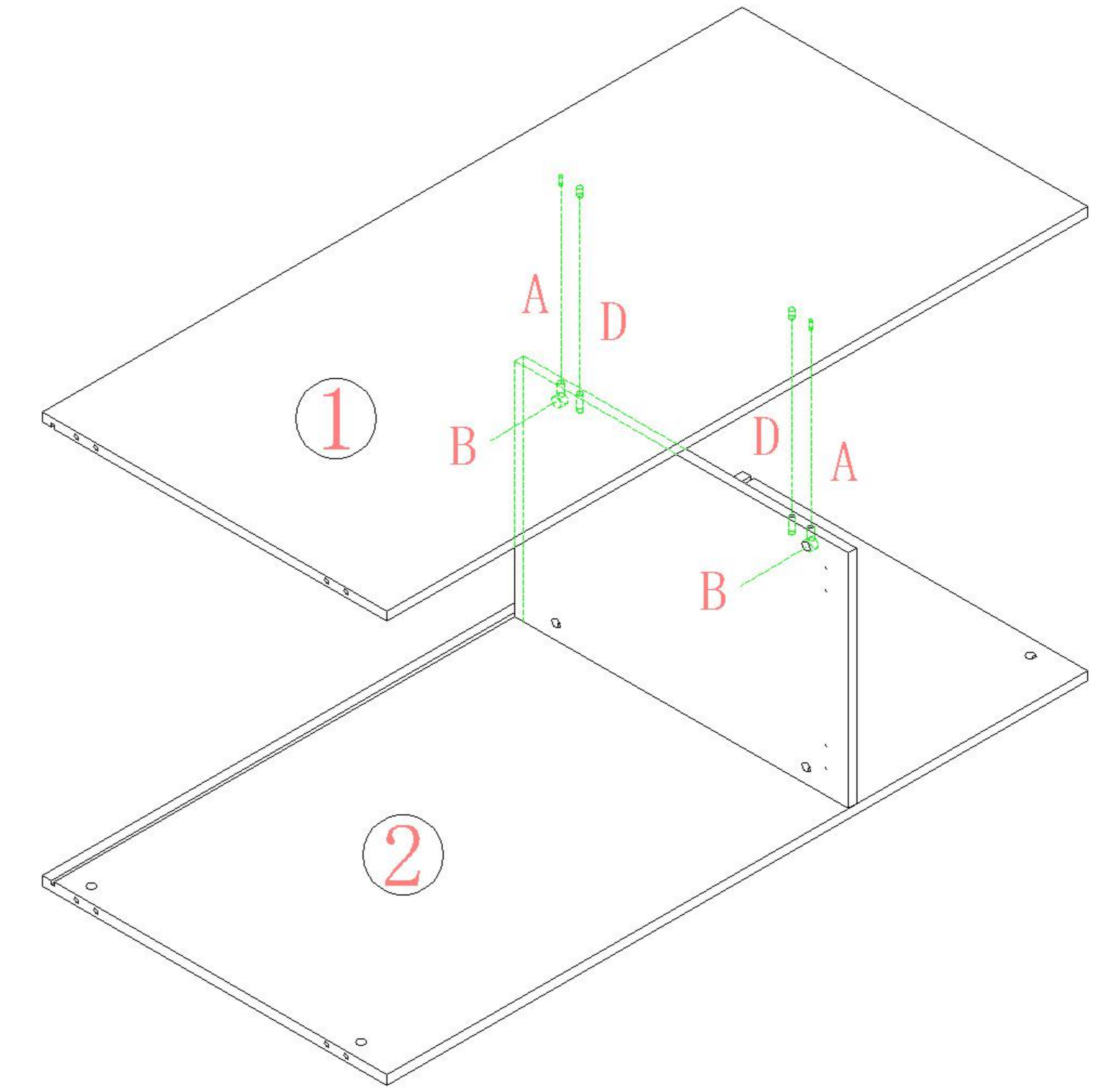
大二合一
two-in-one

-  (A)*2
-  (B)*2
-  (D)*2


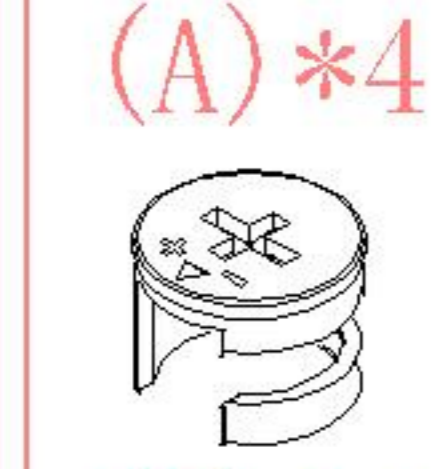
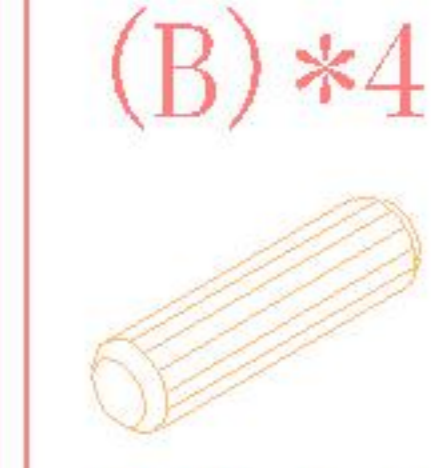


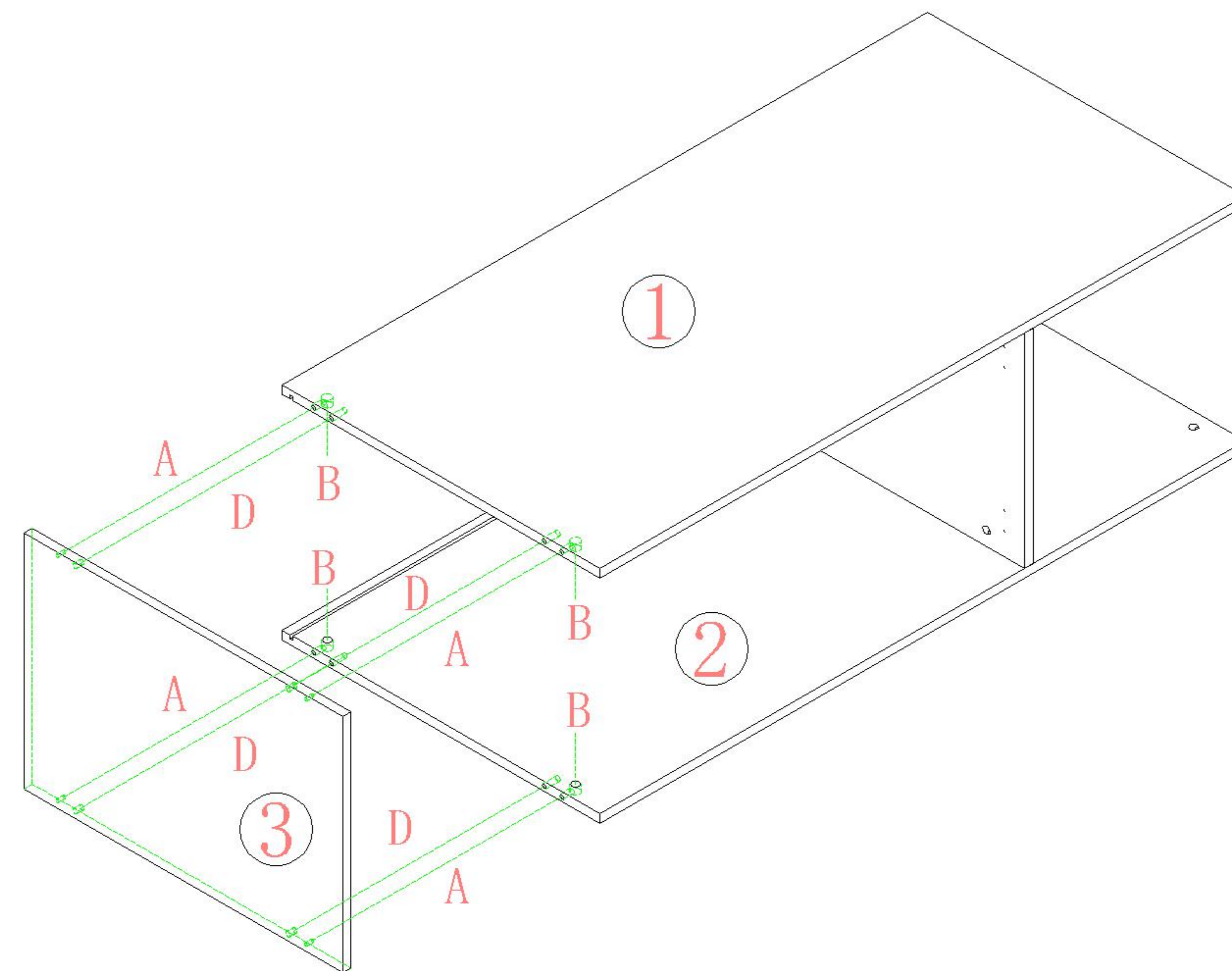
1

-  (A)*2
-  (B)*2
-  (D)*2

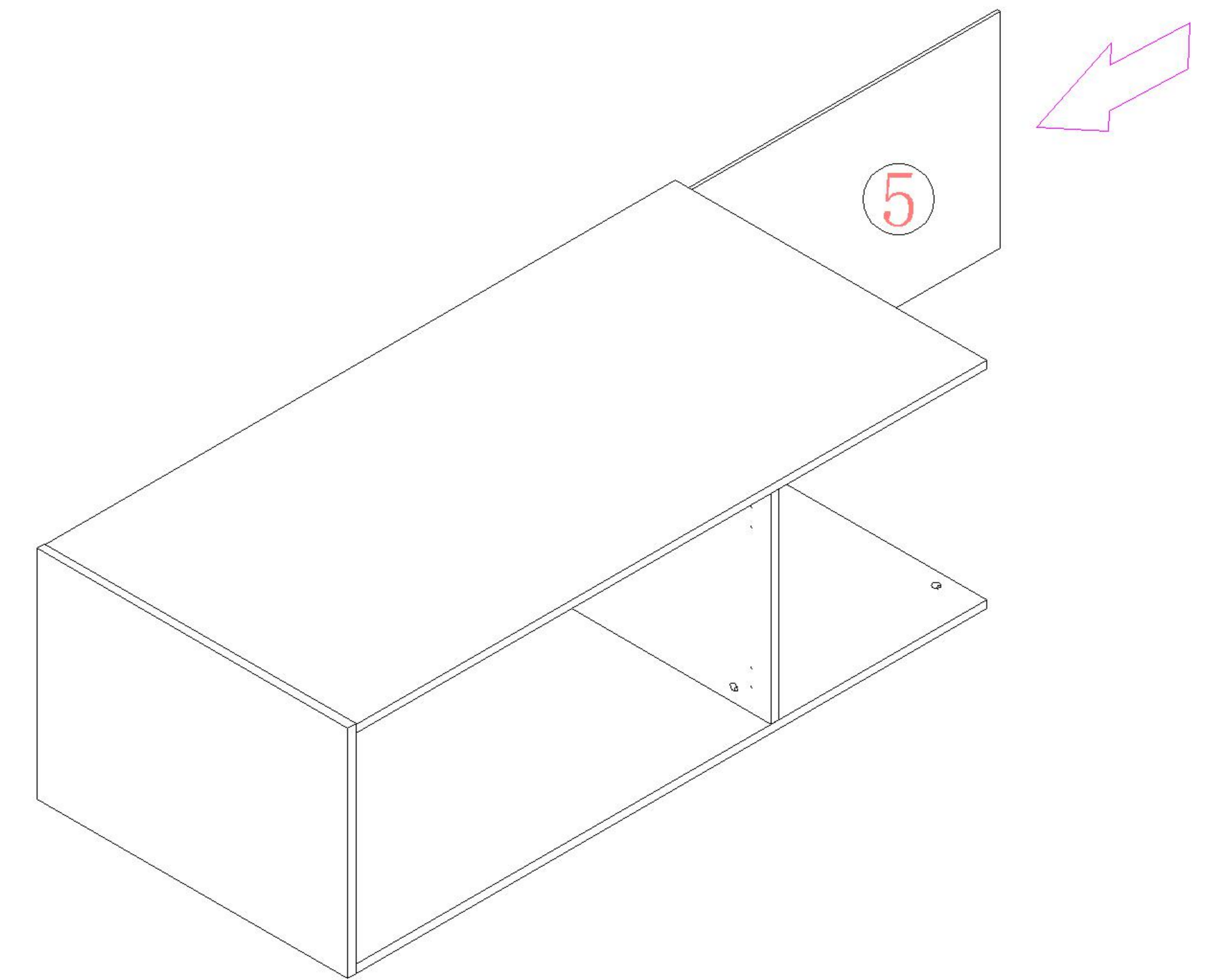


2

-  (A)*4
-  (B)*4
-  (D)*4



3



4

TE13D-A

安装方法/ Installation method

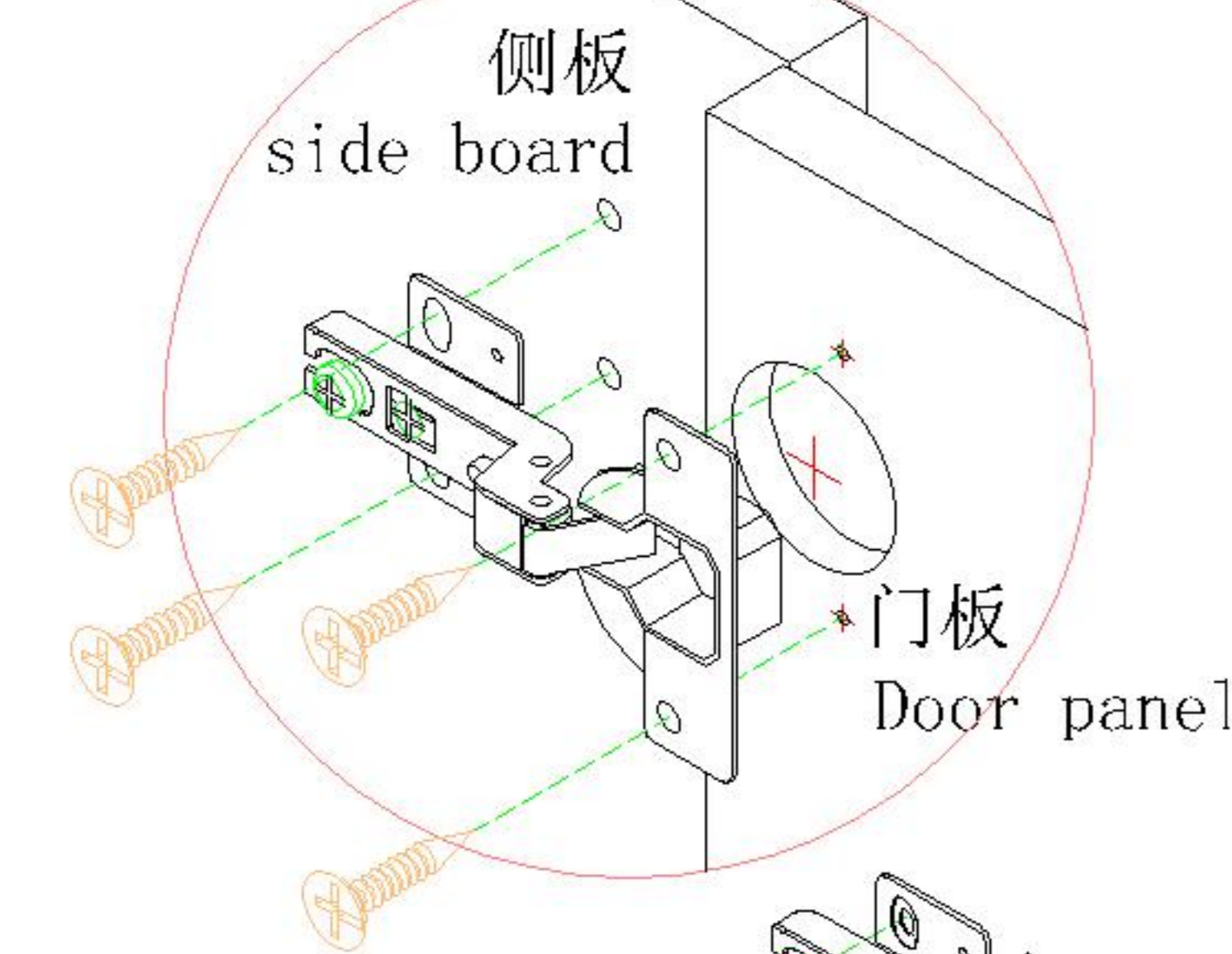
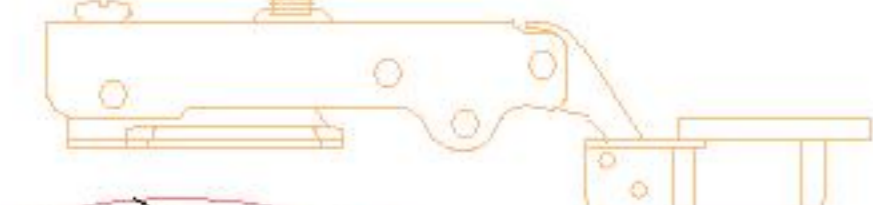
大弯big bend



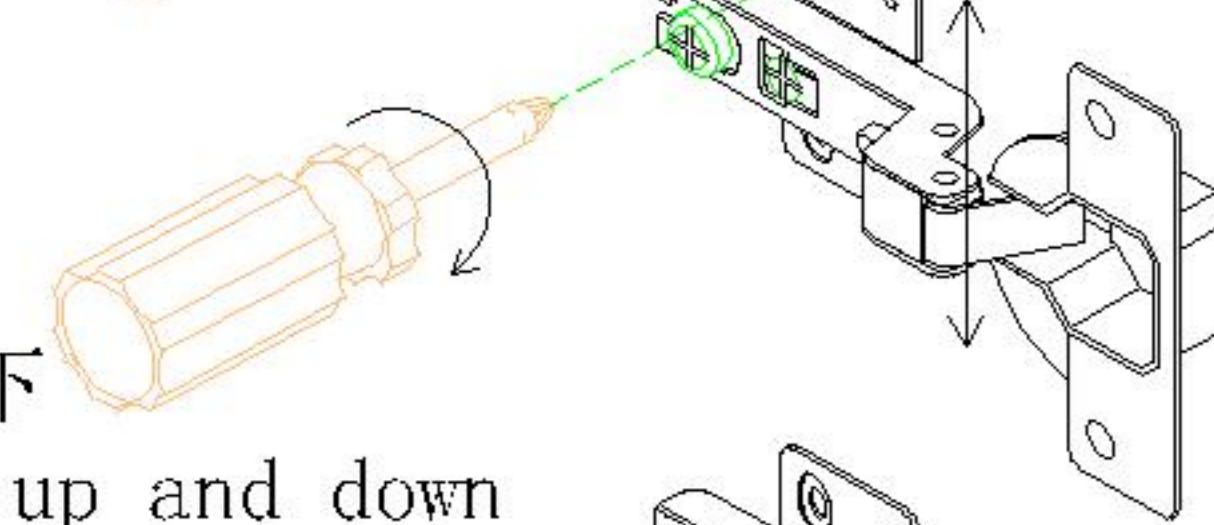
中弯middle bending



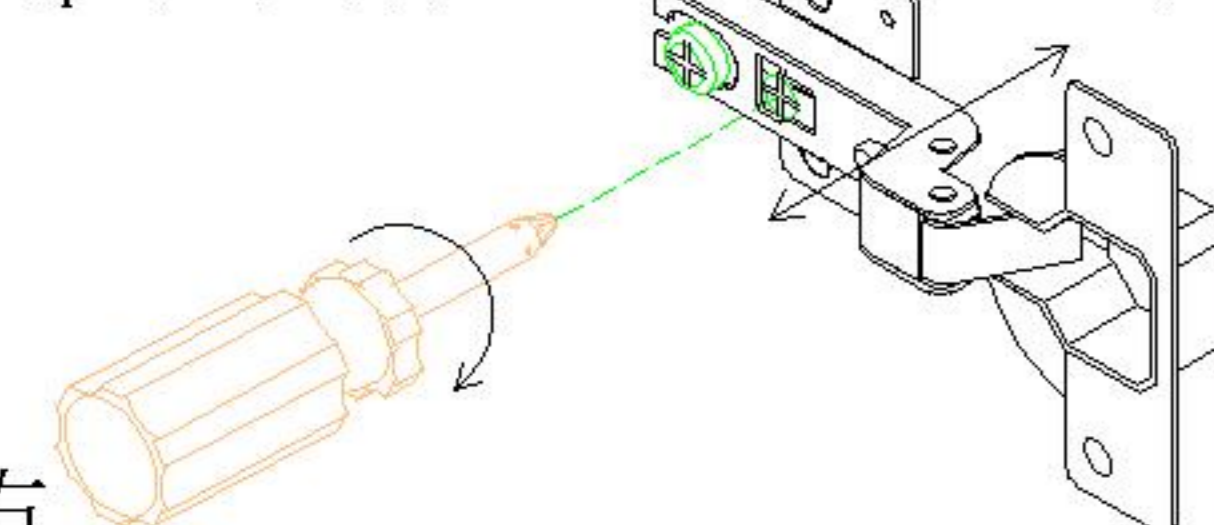
直弯straight bending



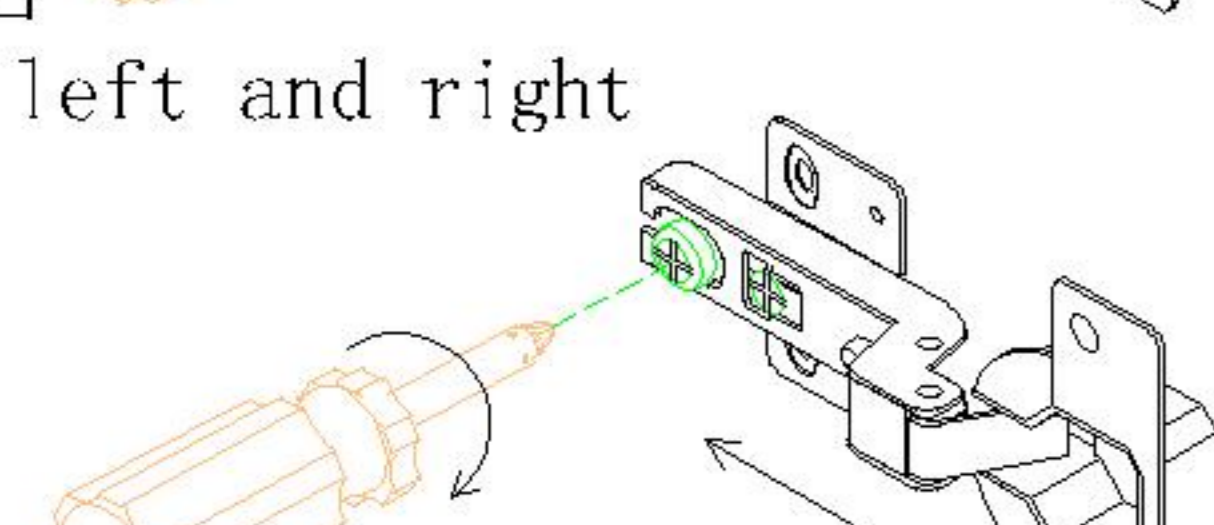
调节上下
Adjust up and down



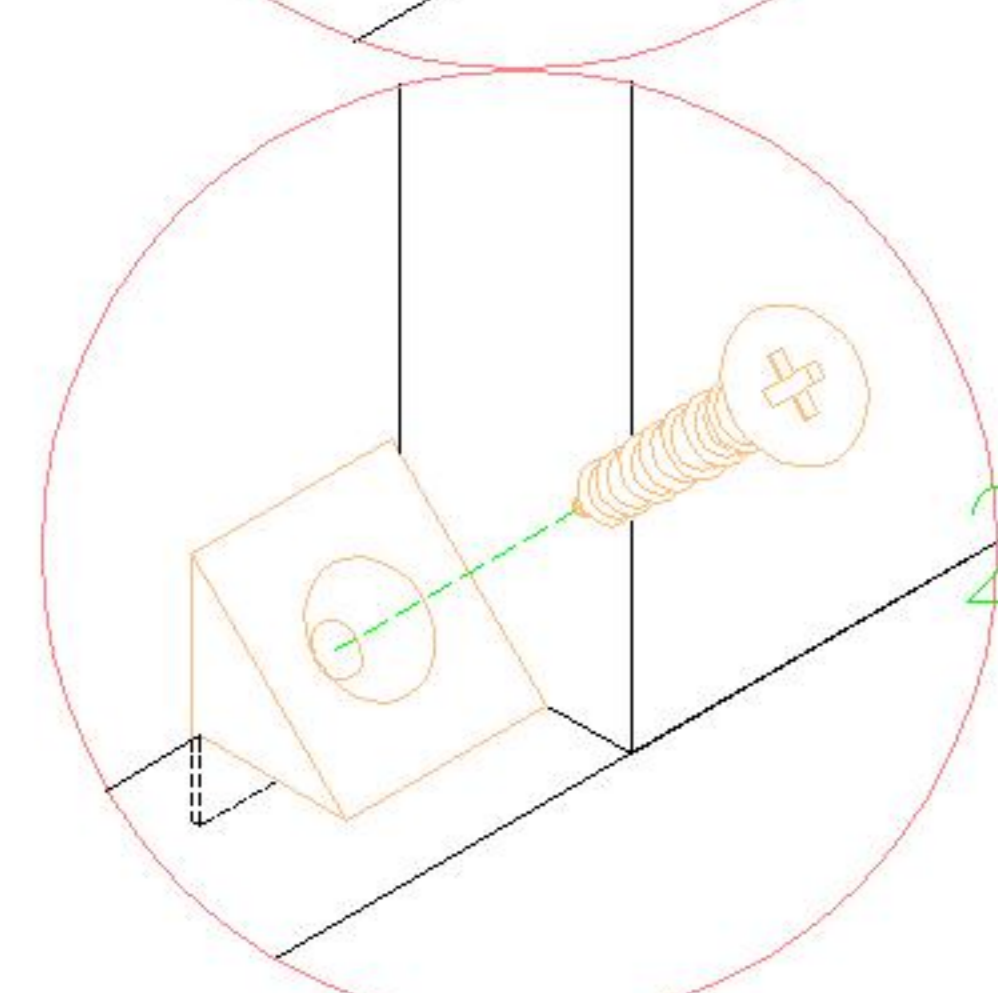
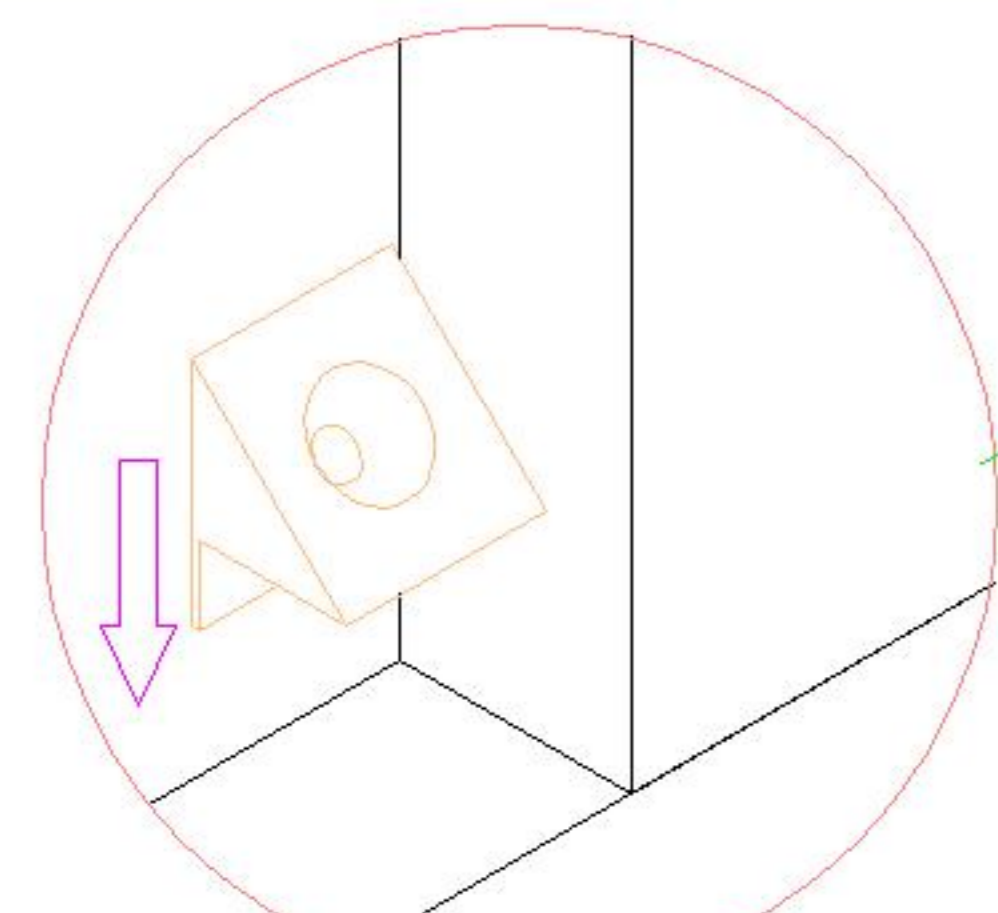
调节左右
Adjust left and right



调节前后
Before and after adjustment

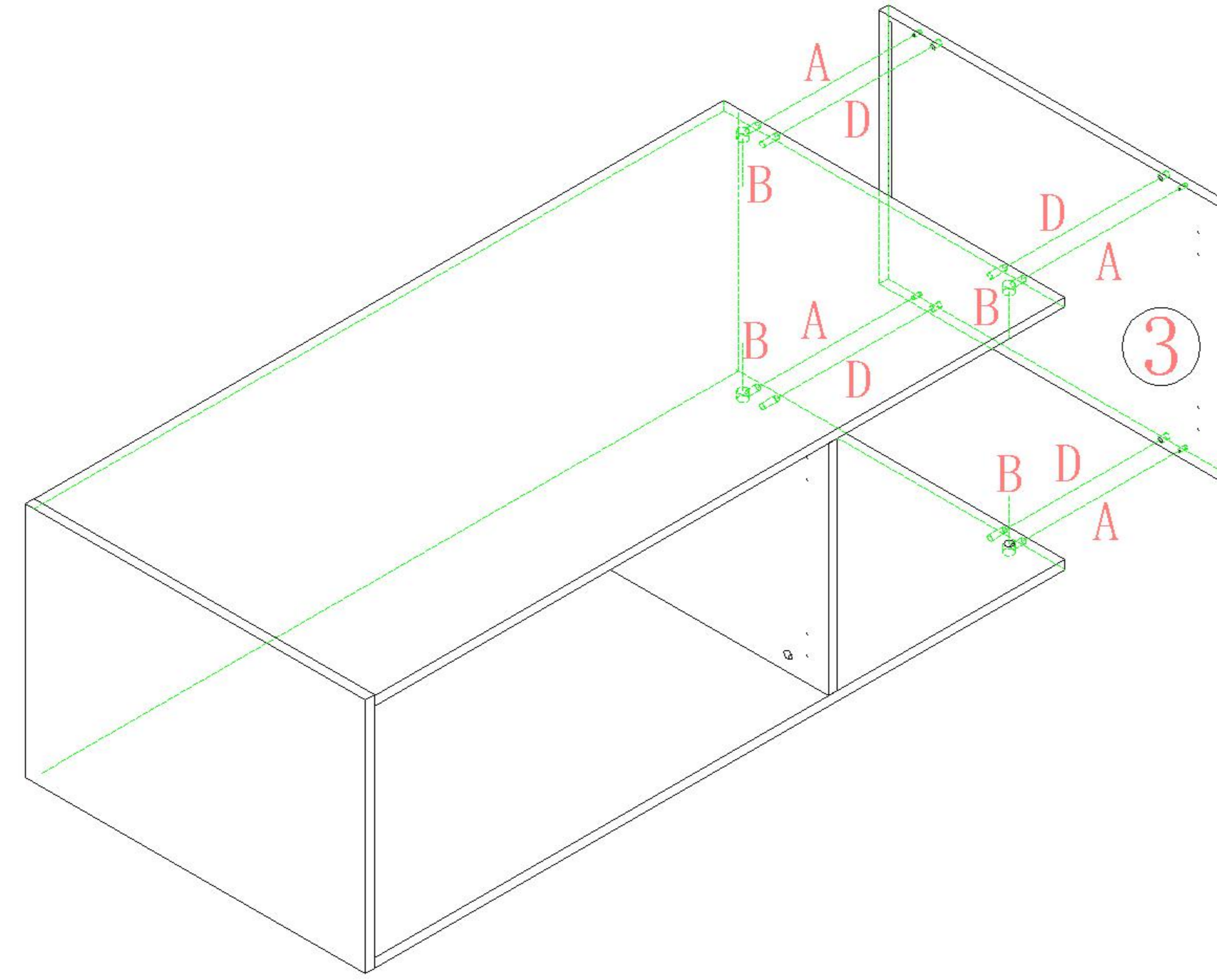


门铰 Hinge

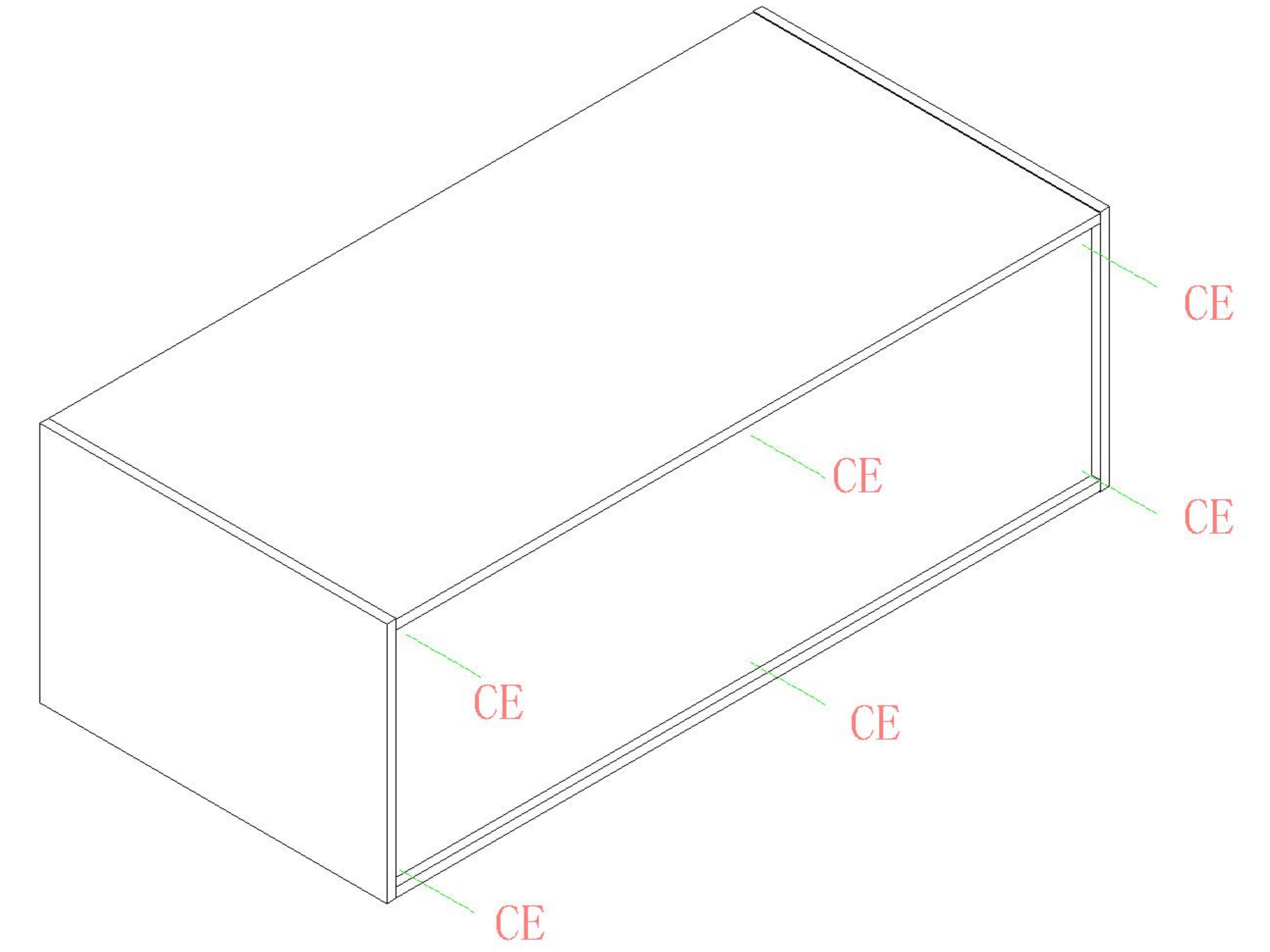


背板扣 Back Plate Buckle-White

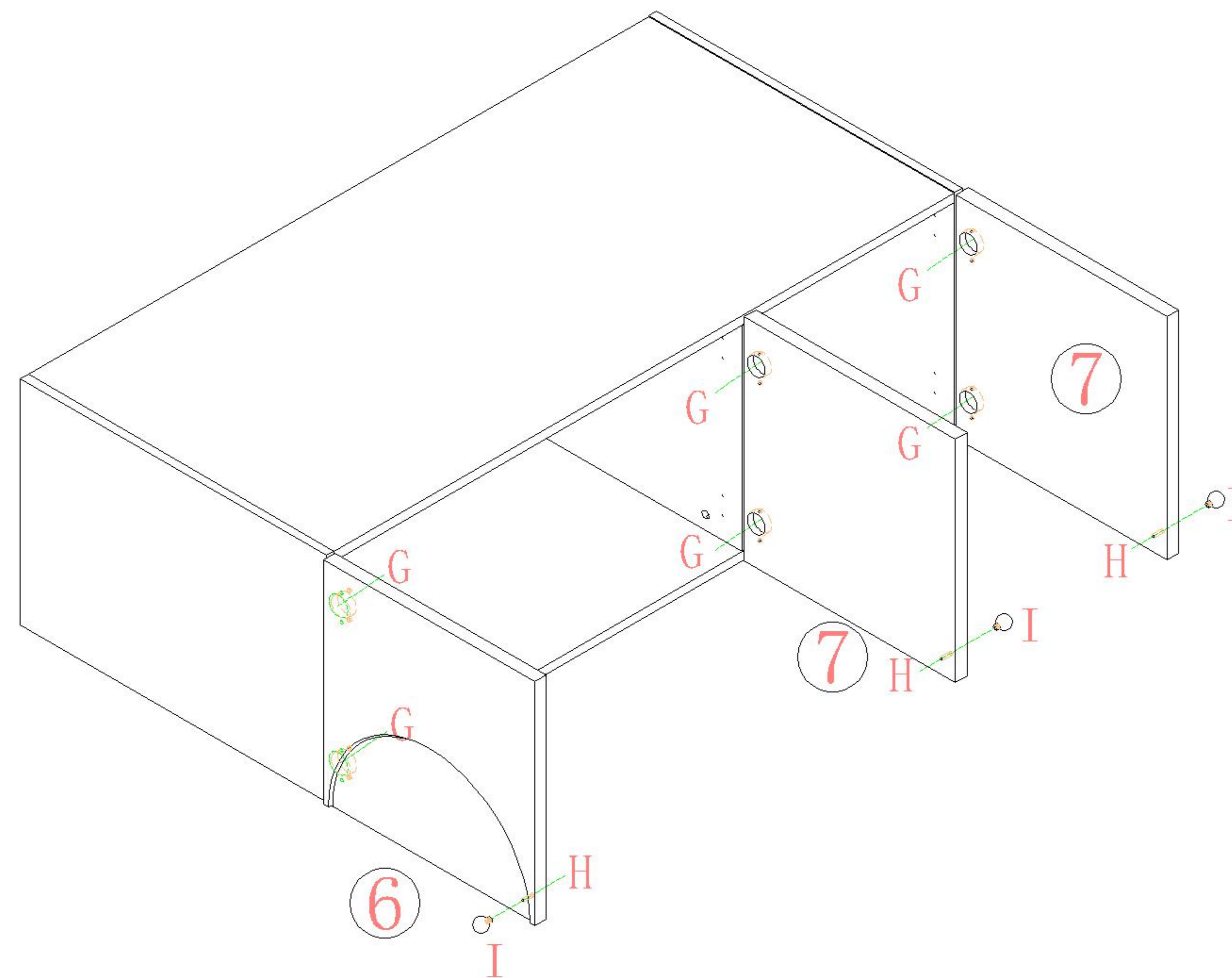
- (A)*4
- (B)*4
- (D)*4



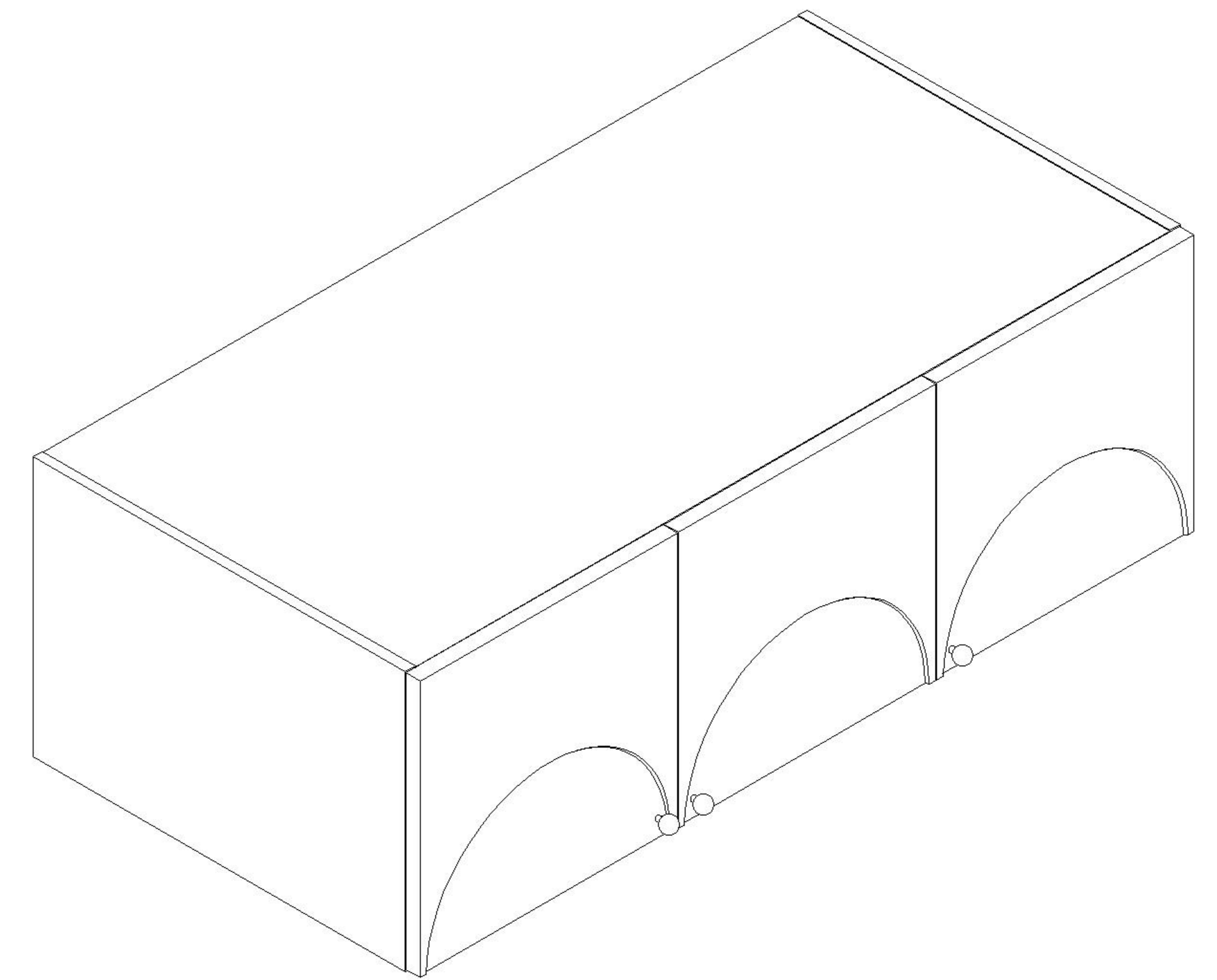
- 5 (C)*6
- (E)*6



- (G)*6
- (H)*3
- (I)*3



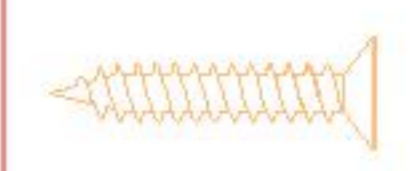
- 7
- 8



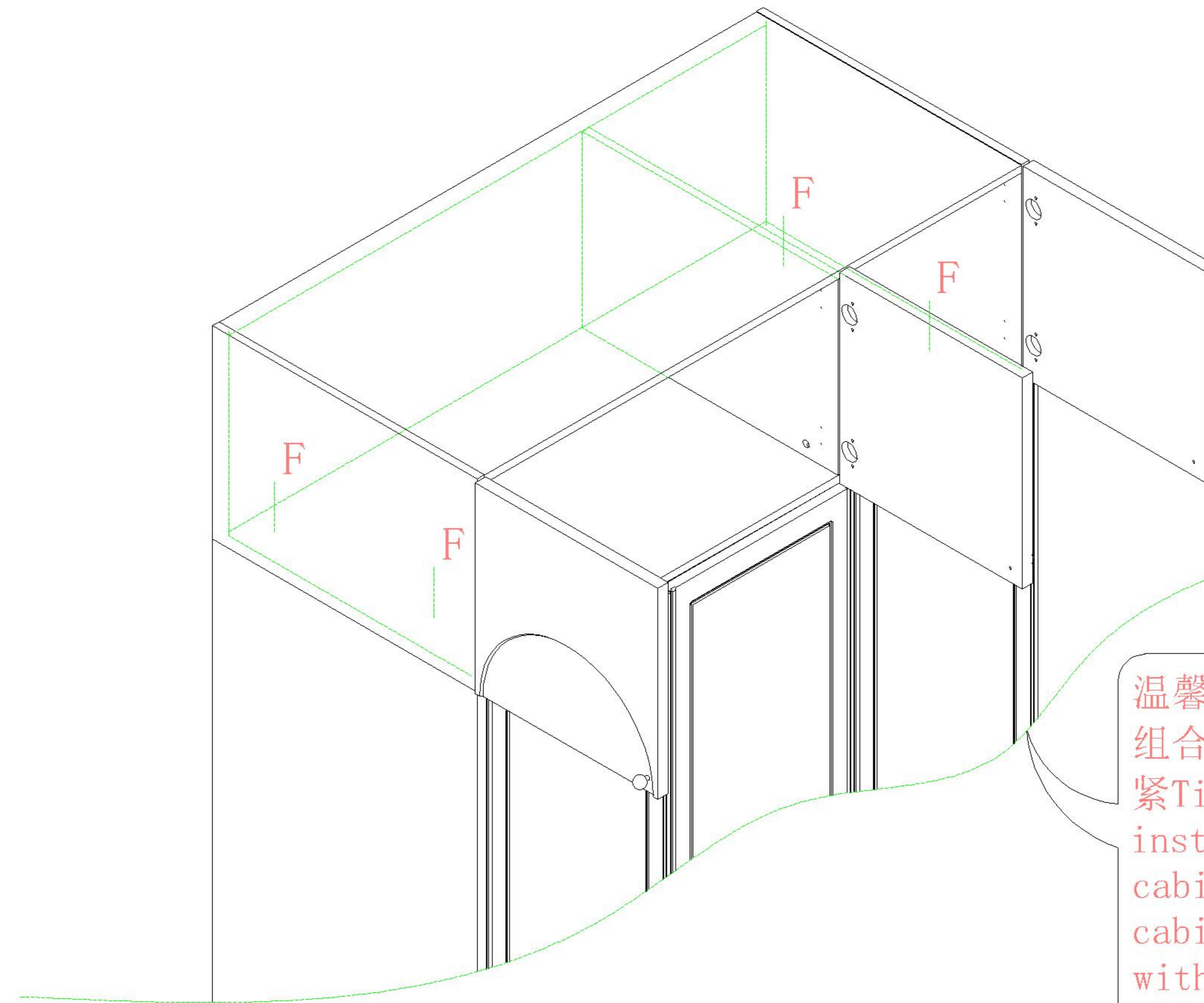
▲安装完成
Installation is complete

TE13D-A

安装方法/
Installation method



(F)*4



温馨提示：安装完成后，顶柜与组合柜要在合适位置用五金F锁紧
Tips: After the installation, the top cabinet and the combination cabinet should be locked with hardware F at appropriate positions